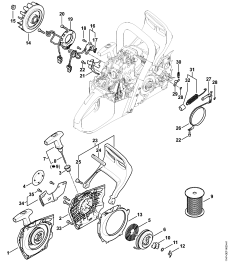
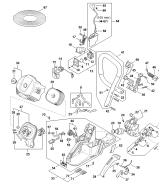


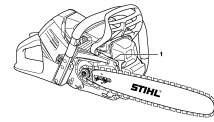
Engine



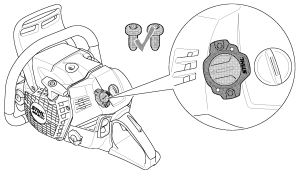
Ignition system, Fan housing



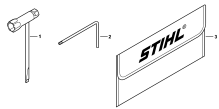
Fuel injection system,
Tank housing, Handlebar
MS 500i-Z



Serial number



Smart Connector



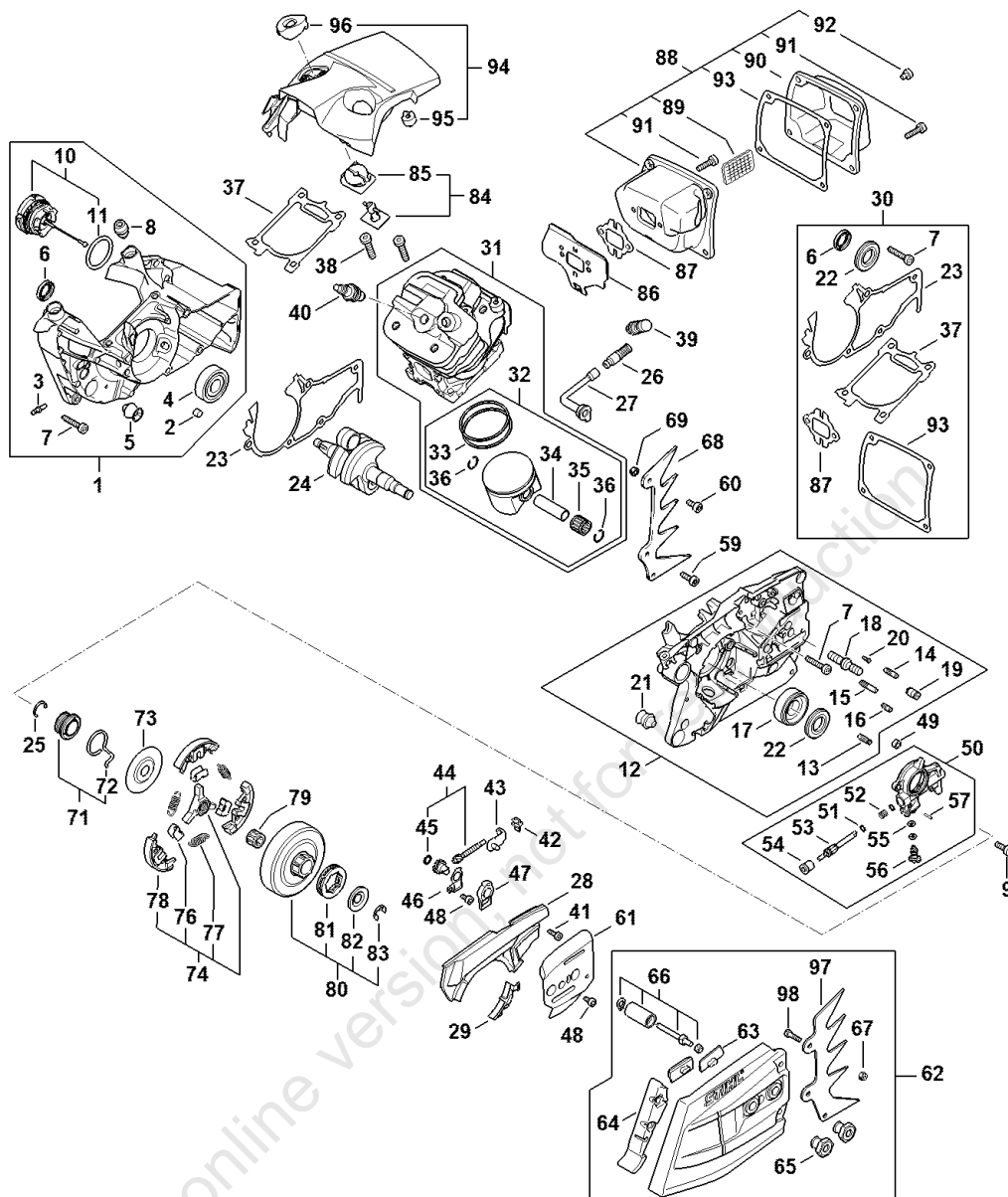
Tools

online version, not for reproduction

MS 500i

Description	Technical Information
Engine	
Ignition system, Fan housing	
Fuel injection system, Tank housing, Handlebar MS 500i-Z	
Serial number	
Smart Connector	
Tools	

online version, not for reproduction



1147-GET-0032-A0

(1) MS 500i, (2) MS 500i-RZ, (3) MS 500i-W, (4) MS 500i-Z

Engine

Reference	Item number	Qty	Description	Contains
1	1147 020 2601	1	Crankcase, fan side (4)	2 - 8, 10, 11
2	0000 988 8600	4	Sleeve (4)	
3	0000 988 5211	1	Connector (4)	
4	9523 003 4280	1	Grooved ball bearing 15x37,7x11 (4)	
5	1141 791 5902	1	Stop buffer (4)	
6	9640 003 1560	1	Oil seal 15x22x4 (4)	
7	9022 500 1051	5	Spline screw IS-M5x27 (4)	
8	1147 080 1701	2	Grommet (4)	
9	9022 346 0658	2	Spline screw IS-M4x12 (4)	
10	0000 350 0533	1	Filler cap (4)	11
11	9645 948 7734	1	O-ring 25x3.5 (4)	
12	1147 020 2902	1	Crankcase (4)	7, 13 - 22
13	1120 162 5200	1	Pin (4)	
14	1121 162 5200	1	Pin (4)	
15	1121 162 5205	1	Pin (4)	
16	1128 162 5200	1	Pin (4)	
17	9523 003 4282	1	Grooved ball bearing 15x37,7x13 (4)	
18	0000 664 2406	2	Collar screw M8 (4)	
19	1128 640 9100	1	Valve (4)	
20	0000 974 1200	1	Notched pin 2.6x8 (4)	
21	1141 791 5902	1	Stop buffer (4)	
22	9640 003 1604	1	Oil seal DIN3760-BS15x31,5x4 (4)	
23	1147 020 9700	1	Gasket (4)	7
24	1147 030 0405	1	Crankshaft (4)	7
25	9468 621 1520	1	Circlip 15x1 (4)	
26	1117 640 3800	1	Pickup body (4)	
27	1122 647 9400	1	Hose (4)	
28	1147 021 1100	1	Cover (4)	
29	1147 021 1101	1	Cover (4)	
30	1147 007 1600	1	Set of gaskets (4)	6, 7, 22, 23, 37, 87, 93
31	1147 020 1200	1	Cylinder with piston Ø 54 mm (4)	32 - 36
32	1147 030 2003	1	Piston Ø 54 mm (4)	33 - 36
33	1147 034 3001	2	Piston ring Ø 54x1,2 mm (4)	
34	1147 034 1501	1	Piston pin 12x8x39 (4)	
35	9512 003 3146	1	Needle cage 12x16.2x15 (4)	
36	9463 650 1200	2	Snap ring 12x1 (4)	
37	1147 029 2300	1	Cylinder gasket (4)	

(1) MS 500i, (2) MS 500i-RZ, (3) MS 500i-W, (4) MS 500i-Z

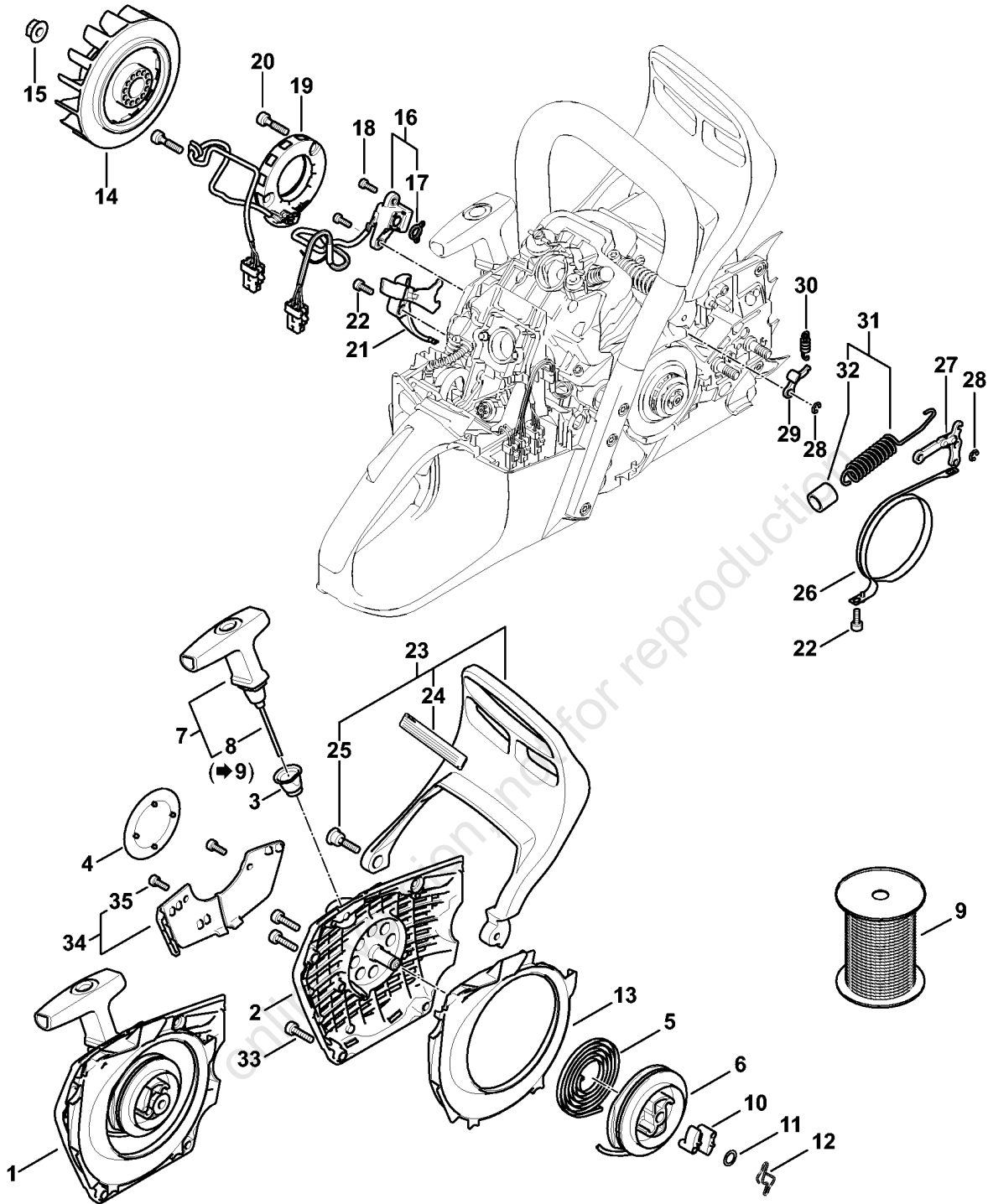
Engine

Reference	Item number	Qty	Description	Contains
38	9022 341 1358	4	Spline screw IS-M6x28 (4)	
39	1142 020 9400	1	Decompression valve (4)	
40	0000 400 7011	1	Spark plug NGK CMR6H (4)	
41	9022 313 0660	2	Spline screw IS-M4x12 (4)	
42	1125 664 1400	1	Thrust pad (4)	
43	1125 640 1900	1	Tensioner slide (4)	
44	1125 007 1021	1	Spur gear / chain adjusting screw kit (4)	45
45	9646 945 0490	1	O-ring 7x1.5 (4)	
46	1122 664 2200	1	Cover plate (4)	
47	1122 664 4500	1	Support (4)	
48	9022 313 0633	2	Spline screw IS-M4x8 (4)	
49	1122 649 5000	1	Sealing ring B4x2 (4)	
50	1142 640 3200	1	Oil pump (4)	51 - 57
51	0000 958 0518	2	Washer (4)	
52	0000 997 0615	1	Compression spring (4)	
53	1142 647 0600	1	Pump piston (4)	
54	1125 641 9400	1	Bearing bushing (4)	
55	9646 945 0160	2	O-ring 4x2 (4)	
56	1142 647 4800	1	Control bolt (4)	
57	9380 620 1090	1	Roll pin 2x10 (4)	
59	9022 341 0983	1	Spline screw IS-M5x16 (4)	
60	9022 341 0960	1	Spline screw IS-M5x12 (4)	
61	1128 664 1000	1	Inner side plate (4)	
62	1142 640 1701	1	Chain sprocket cover (4)	63 - 67, 97, 98
63	1121 648 6610	2	Bumper strip (4)	
64	1142 656 1501	1	Guard (4)	
65	0000 995 0803	2	Collar nut M8 (4)	
66	1122 650 7702	1	Chain catcher (4)	
67	9214 320 0700	2	Lock nut M5 (4)	
68	1122 664 0506	1	Bumper spike (4)	
69	9214 320 0700	1	Lock nut M5 (4)	
71	1147 640 7110	1	Worm gear (4)	72
72	1128 647 2400	1	Spring (4)	
73	1122 162 1000	1	Cover washer 52 mm (4)	
74	1147 160 2002	1	Clutch (4)	76 - 78
76	1128 162 3000	3	Retainer (4)	
77	0000 997 5611	3	Tension spring (4)	
78	1147 162 0801	3	Clutch shoe (4)	

(1) MS 500i, (2) MS 500i-RZ, (3) MS 500i-W, (4) MS 500i-Z

Reference	Item number	Qty	Description	Contains
79	9512 933 2380	1	Needle cage 10x16x12 (4)	
80	1128 007 1017	1	Rim sprocket kit 3/8" 7T (4)	81 - 83
81	0000 642 1223	1	Rim sprocket 3/8" 7T (4)	
82	0000 958 1032	1	Washer Ø 27 mm (4)	
83	9460 624 0801	1	E-clip 8x1.3 (4)	
84	1147 080 1501	1	Shroud lock (4)	85
85	1147 084 7401	1	Grommet (4)	
86	1147 141 3200	1	Cooling plate (4)	
87	1147 149 0600	1	Muffler gasket (4)	
88	1147 140 0603	1	Muffler Z (4)	89 - 93
89	1147 141 9001	1	Screen (4)	
90	1147 145 0800	1	Exhaust casing (4)	
91	9022 399 1020	4	Spline screw IS-M5x20 (4)	
92	9022 341 0911	2	Spline screw IS-M5x6 (4)	
93	1147 149 0500	1	Gasket (4)	
94	1147 080 1602	1	Shroud (4)	95, 96
95	1147 084 7100	1	Cap (4)	
96	1147 084 2200	1	Guard (4)	
97	1122 664 0501	1	Bumper spike (4)	
98	9008 345 0960	2	Hexagon head screw M5x12 (4)	

Ignition system, Fan housing



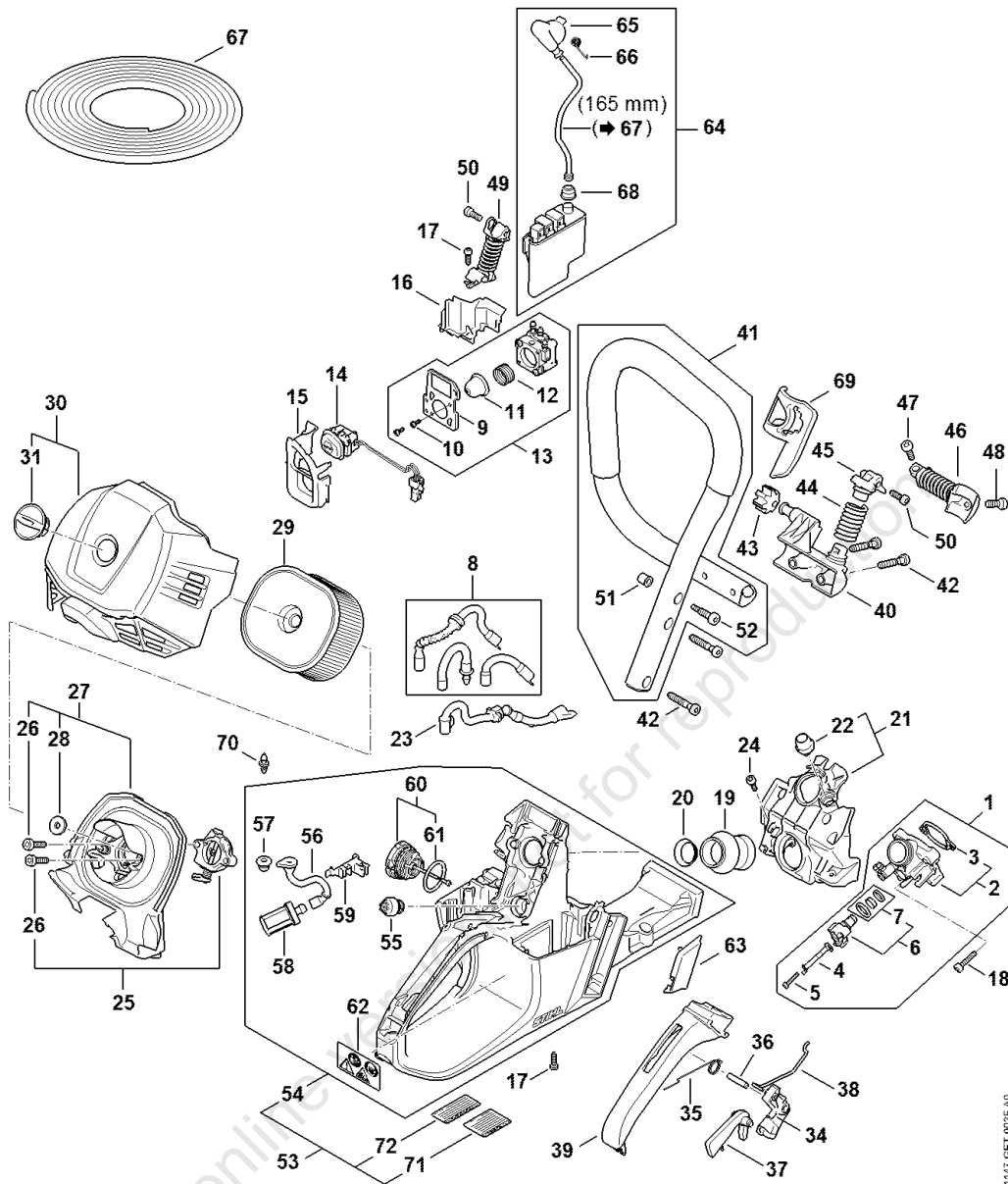
1147-GET-0020-A1

(1) MS 500i, (2) MS 500i-RZ, (3) MS 500i-W, (4) MS 500i-Z

Ignition system, Fan housing

Reference	Item number	Qty	Description	Contains
1	1147 080 2101	1	Fan housing with rewind starter (2,4)	2 - 8, 10 - 13
2	1147 080 1800	1	Fan housing (2,4)	3
3	1110 084 9102	1	Bushing (2,4)	
4	1147 967 1500	1	Model plate MS 500i (2,4)	
5	1135 190 0600	1	Rewind spring (2,4)	
6	1128 195 0400	1	Rope rotor (2,4)	
7	1128 190 3400	1	Starter grip ElastoStart Ø 3,5 mm (2,4)	8
8	1128 190 2900	1	Starter rope Ø 3.5 mm (2,4)	
9	0000 930 2267	1	Starter rope Ø 3.5 mm / 28 pieces (B) (2,4)	
10	1125 195 7200	2	Pawl (2,4)	
11	0000 958 0923	1	Washer (2,4)	
12	1128 195 3500	1	Spring (2,4)	
13	1147 084 7800	1	Segment (2,4)	
14	1147 400 1201	1	Flywheel (2,4)	
15	0000 955 0802	1	Collar nut M8x1 (2,4)	
16	1147 400 5801	1	Sensor (2,4)	17
17	1147 139 0101	1	Gasket (2,4)	
18	9022 313 0658	2	Spline screw IS-M4x12 (2,4)	
19	1147 400 4000	1	Generator (2,4)	
20	1147 404 7800	2	Screw M5 (2,4)	
21	1147 141 6301	1	Air baffle (2,4)	
22	9022 346 0658	2	Spline screw IS-M4x12 (2,4)	
23	1147 790 9100	1	Hand guard (2,4)	24, 25
24	0000 967 3915	1	Instruction label (2,4)	
25	1141 790 6100	1	Screw assy. M5 (2,4)	
26	1147 160 5400	1	Brake band (2,4)	
27	1128 160 5000	1	Lever (2,4)	
28	9460 624 0400	2	E-clip 4 (2,4)	
29	1121 162 5010	1	Lever (2,4)	
30	0000 997 0628	1	Spring (2,4)	
31	1141 160 5502	1	Tension spring (2,4)	32
32	1141 162 8000	1	Hose (2,4)	
33	9022 371 1020	3	Spline screw IS-M5x20 (2,4)	
34	1147 080 7501	1	Cover plate (B) (2,4)	35
35	9022 313 0660	2	Spline screw IS-M4x12 (B) (2,4)	

(1) MS 500i, (2) MS 500i-RZ, (3) MS 500i-W, (4) MS 500i-Z



(1) MS 500i, (2) MS 500i-RZ, (3) MS 500i-W, (4) MS 500i-Z

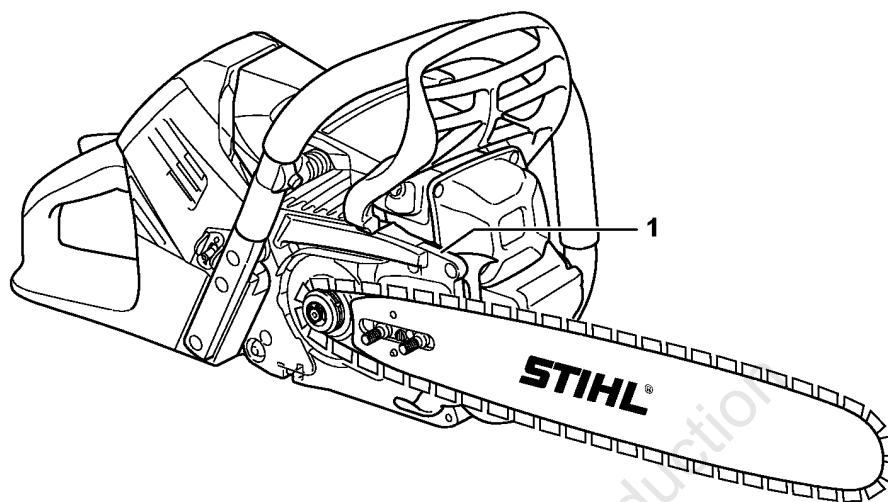
Fuel injection system, Tank housing, Handlebar MS 500i-Z

Reference	Item number	Qty	Description	Contains
1	1147 130 0102	1	Injection module (4)	2 - 8
2	1147 130 4504	1	Injection housing (4)	3, 8
3	1147 139 0100	1	Gasket (4)	
4	1147 431 7002	1	Contact plate (4)	
5	9074 477 2311	1	Pan head self-tapping screw IS P3x16 (4)	
6	0000 130 3307	1	Injection valve (4)	7, 8
7	1147 007 1001	1	Sealing ring kit (4)	
8	1147 007 2000	1	Hose kit (4)	
9	1147 131 3801	1	Support (4)	
10	1147 132 0100	2	Screw (4)	
11	0000 121 2702	1	Cap (4)	
12	0000 132 0200	1	Spring (4)	
13	1147 130 0302	1	Injection pump (4)	8 - 12
14	1147 430 0512	1	Switch (4)	
15	1147 432 1700	1	Cover (4)	
16	1147 131 3800	1	Support (4)	
17	9074 477 2995	2	Pan head self-tapping screw IS-P4x12 (4)	
18	9022 371 0710	4	Spline screw IS-M4x20 (4)	
19	1147 141 2200	1	Manifold (4)	
20	1147 141 1805	1	Sleeve (4)	
21	1147 080 0901	1	Air guide shroud (4)	22
22	1147 080 1700	1	Grommet (4)	
23	1147 141 8600	1	Impulse hose (4)	
24	9022 313 0660	1	Spline screw IS-M4x12 (4)	
25	1147 120 6901	1	Throttle shutter housing (4)	26
26	9022 500 1020	2	Screw IS-M5x22 (4)	
27	1147 140 1202	1	Air filter base (4)	26, 28
28	1144 129 0900	1	Gasket (4)	
29	1144 140 4402	1	Air filter HD2 (4)	
30	1147 140 1000	1	Filter cover (4)	31
31	1144 141 2300	1	Twist lock (4)	
34	1147 182 1000	1	Throttle trigger (4)	
35	1138 182 4500	1	Torsion spring (4)	
36	9371 470 2630	1	Cylindrical pin (DIN7)-5m6x22 (4)	
37	1141 182 0800	1	Lockout lever (4)	
38	1147 182 1500	1	Throttle rod (4)	
39	1147 791 0600	1	Handle molding (4)	
40	1147 791 1900	1	Handlebar support (4)	

(1) MS 500i, (2) MS 500i-RZ, (3) MS 500i-W, (4) MS 500i-Z

Fuel injection system, Tank housing, Handlebar MS 500i-Z

Reference	Item number	Qty	Description	Contains
41	1147 790 1700	1	Handlebar (4)	51, 52
42	9074 478 4675	4	Pan head self-tapping screw IS-P6x32.5 (4)	
43	1141 791 2802	1	Stop buffer (4)	
44	1144 791 3102	1	Spring (4)	
45	1147 792 2904	1	AV mount (4)	
46	1147 790 8303	1	AV spring (4)	
47	9022 341 0983	1	Spline screw IS-M5x16 (4)	
48	9022 371 1020	1	Spline screw IS-M5x20 (4)	
49	1147 790 8302	1	AV spring (4)	
50	9074 477 4130	1	Pan head self-tapping screw IS-P5x16 (4)	
51	0000 791 7904	1	Bushing (4)	
52	1141 791 6100	1	Collar screw (4)	
53	1147 350 0803	1	Tank housing CDN (4)	8, 54 - 62, 71, 72
54	1147 350 0801	1	Tank housing (4)	8, 55 - 62
55	0000 350 5800	1	Tank vent (4)	
56	1139 358 7700	1	Hose (4)	
57	1141 989 0600	1	Grommet (4)	
58	0000 350 3518	1	Pickup body (4)	
59	1147 448 1200	1	Lead retainer (4)	
60	0000 350 0533	1	Filler cap (4)	61
61	9645 948 7734	1	O-ring 25x3.5 (4)	
62	0000 967 7247	1	Warning pictogram MS (4)	
63	1147 435 2700	1	Cover (4)	
64	1147 400 4702	1	Control unit (4)	65 - 68
65	1147 405 1000	1	Spark plug boot (4)	
66	0000 998 0618	1	Torsion spring (4)	
67	0000 405 0600	1	Ignition lead 1 m (B) (4)	
67	0000 930 2251	1	Ignition lead 10 m (B) (4)	
68	0000 989 1002	1	Grommet (4)	
69	1147 798 3600	1	Deflector (B) (4)	
70	4148 353 2700	1	Connector (4)	
71	0000 967 4066	1	Warning Spark arresting screen CDN (4)	
72	0000 967 3596	1	Instruction label CDN (4)	



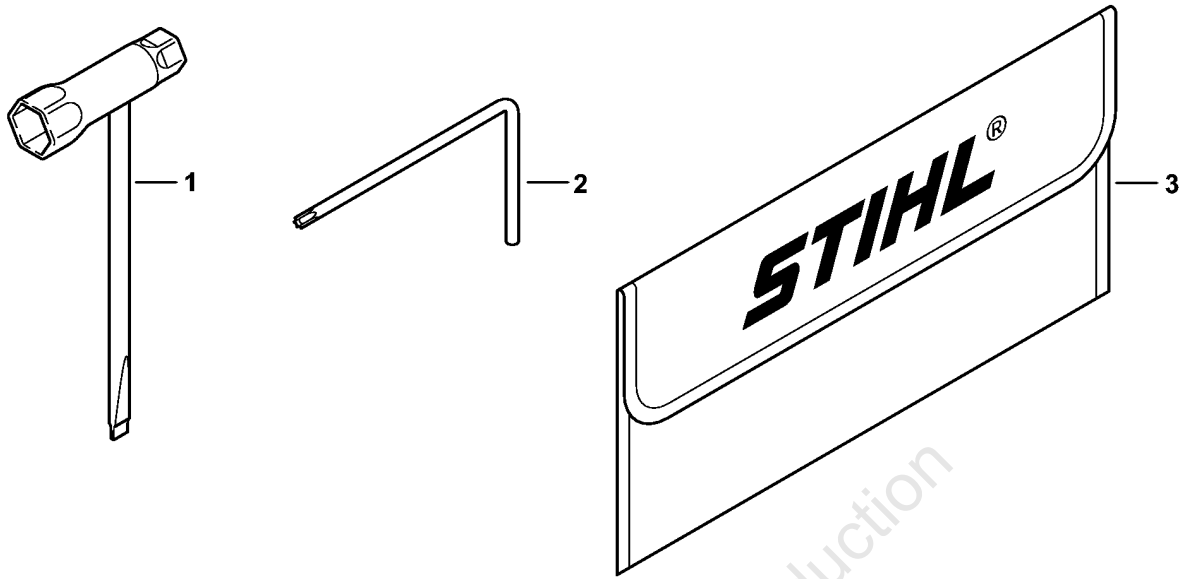
online version, not for reproduction

1147-GET-0018-A0

Serial number

Reference	Qty	Description
1	1	Position of serial number

online version, not for reproduction



online version, not for reproduction

Tools

Reference	Item number	Qty	Description
1	1142 890 3401	1	Combination wrench
2	0812 370 1000	1	Screwdriver T27x120x70
3	0000 891 0810	1	Tool roll

online version, not for reproduction