

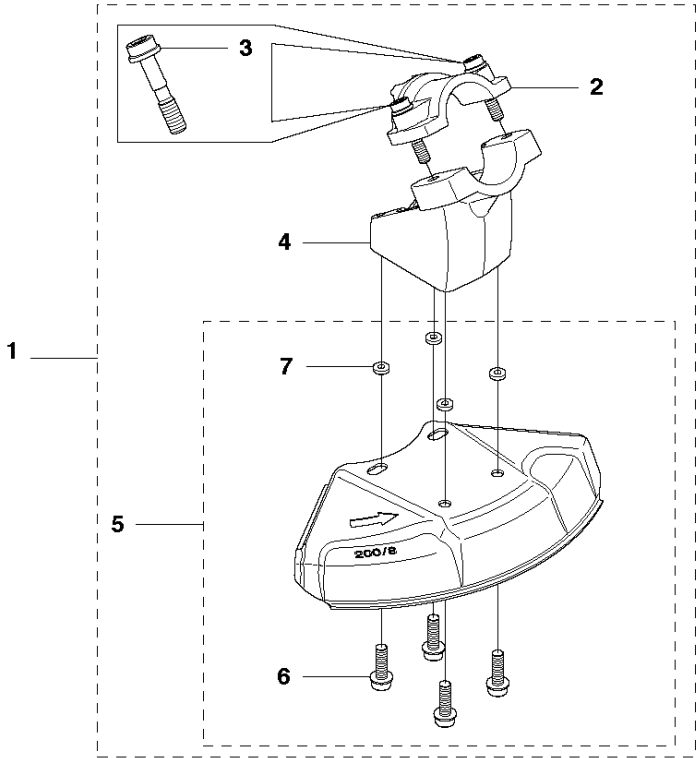


SPARE PARTS LIST

BRUSHCUTTERS/CLEARING SAWS

235 R, 2007-01

V ACCESSORIES



ACCESSORIES

235 R, 2007-01

Ref	Part No	Description	Remark	QTY KIT	
1	501 32 04-02	SAW BLADE GUARD	Incl. Pos. 2-7	1	
2	574 53 06-01	CLAMP	Spare part incl. Screws Pos. 3	1	1
3	573 99 43-04	SCREW IHSCFMO	Captive Screw M5	2	1, 2
4	501 32 08-01	ADAPTER		1	1
5	574 53 26-01	BLADE GUARD	Incl. Pos. 6-7	1	1
6	503 20 02-16	SCREW IHSCFM		4	1, 5
7	574 03 95-01	LOCKING NUT		4	1, 5

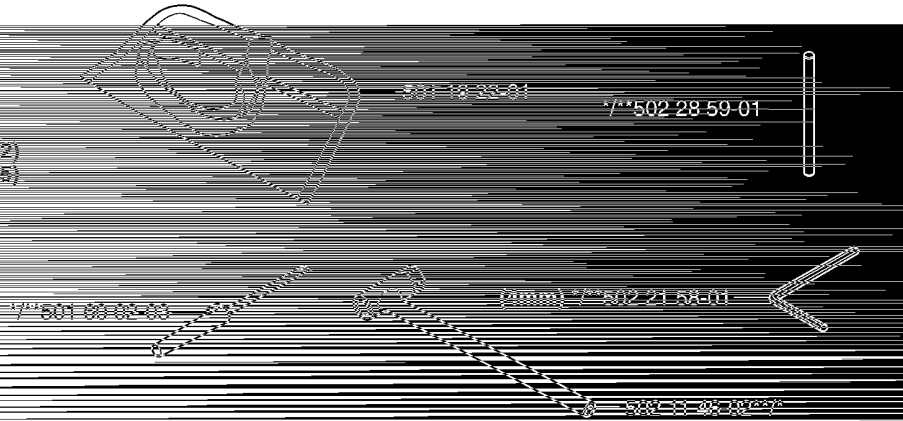
T Accessories
Zubehöre
Accessoires
Acessorios
Tillbehör

*compl 502 21 60 01 (232)
 **compl 502 21 60 14 (235)

Oil Airfilter
Öl Luftfilter
Aceite Filtro Air
Huile Filtre aere
Olja Luftfilter



537 00 32 48



502 21 60 01

(200mm) 502 21 58 01

502 28 23 01

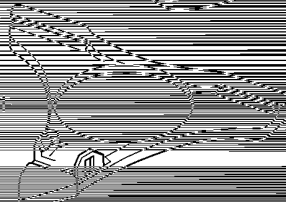


502 07 54 01

(200-275 mm) 537 31 29 01



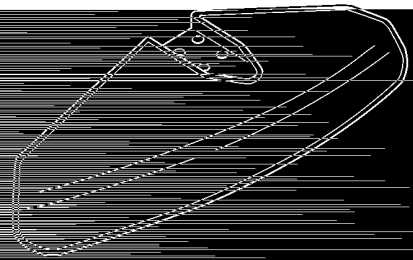
502 21 60 01



(300mm) 502 28 23 01

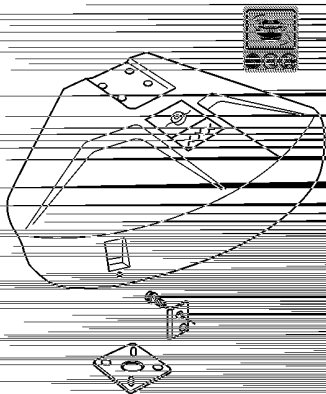
502 21 60 01

502 21 60 01



537 00 32 48

502 21 60 01



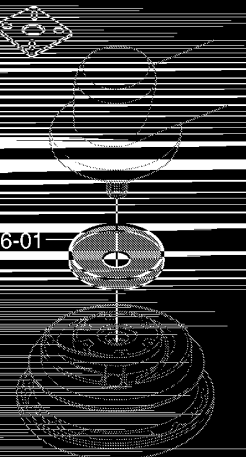
503 71 29 01

(232L, 232R) 537 29 26 01

502 21 60 01

502 79 88 01

503 77 03 01

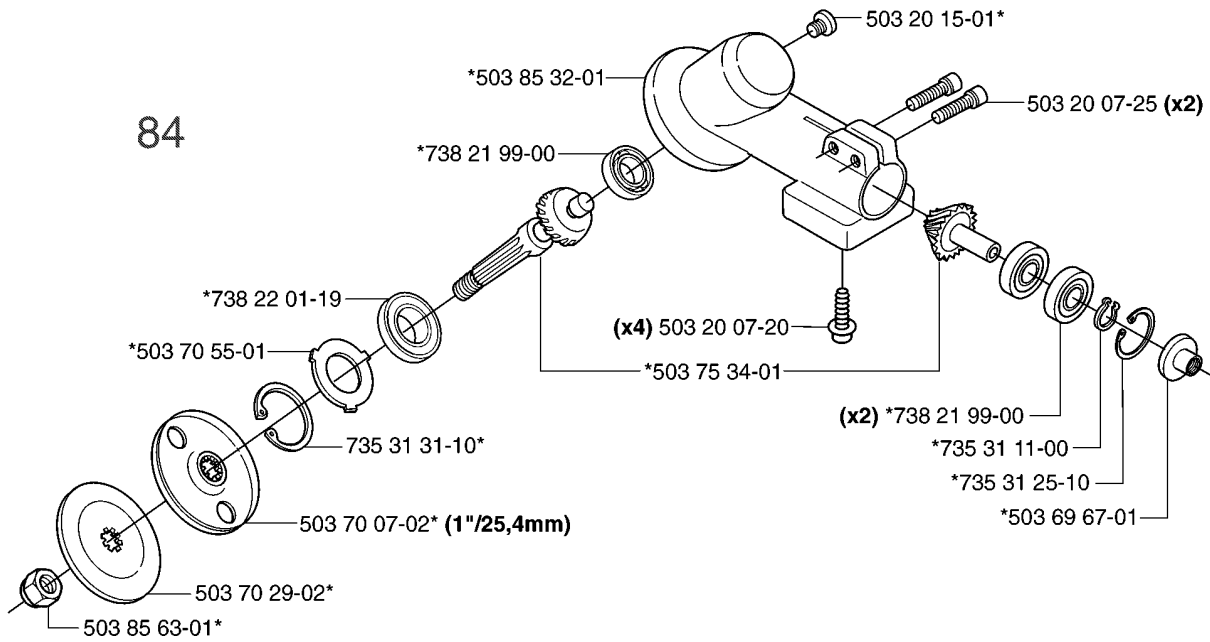


ACCESSORIES

235 R, 2007-01

Part No	Description	Remark	QTY KIT
501 19 22-01	TOOL		1
501 60 02-03	SCREWDRIVER		1
502 11 46-02	SOCKET WRENCH		1
502 21 58-01	L-NYCKEL		1
502 21 60-01	ACCESSORY BAG		1
502 21 60-14	ACCESSORY BAG		1
502 26 23-01	TRANSPORT GUARD		1
502 28 59-01	STOP		1
503 21 07-16	SCREW IHSCT		1
503 74 29-01	DECAL		1
503 74 40-01	BLADE GUARD		1
503 74 50-04	TRIMMER GUARD		1
503 77 63-01	BASEPLATE		1
503 77 63-01	BASEPLATE		1
503 79 88-01	BLADE		1
503 89 01-01	SUPPORT CUP		1
503 89 01-02	SUPPORT CUP		1
503 97 64-01	GREASE		1
531 00 92-48	FILTER OIL		1
537 21 62-01	HARNESS		1
537 21 62-02	HARNESS		1
537 29 26-01	CUP		1
537 31 29-01	SAW BLADE GUARD		1

A 232L, 232R
*compl 502 21 92-08 (1"/25,4mm)

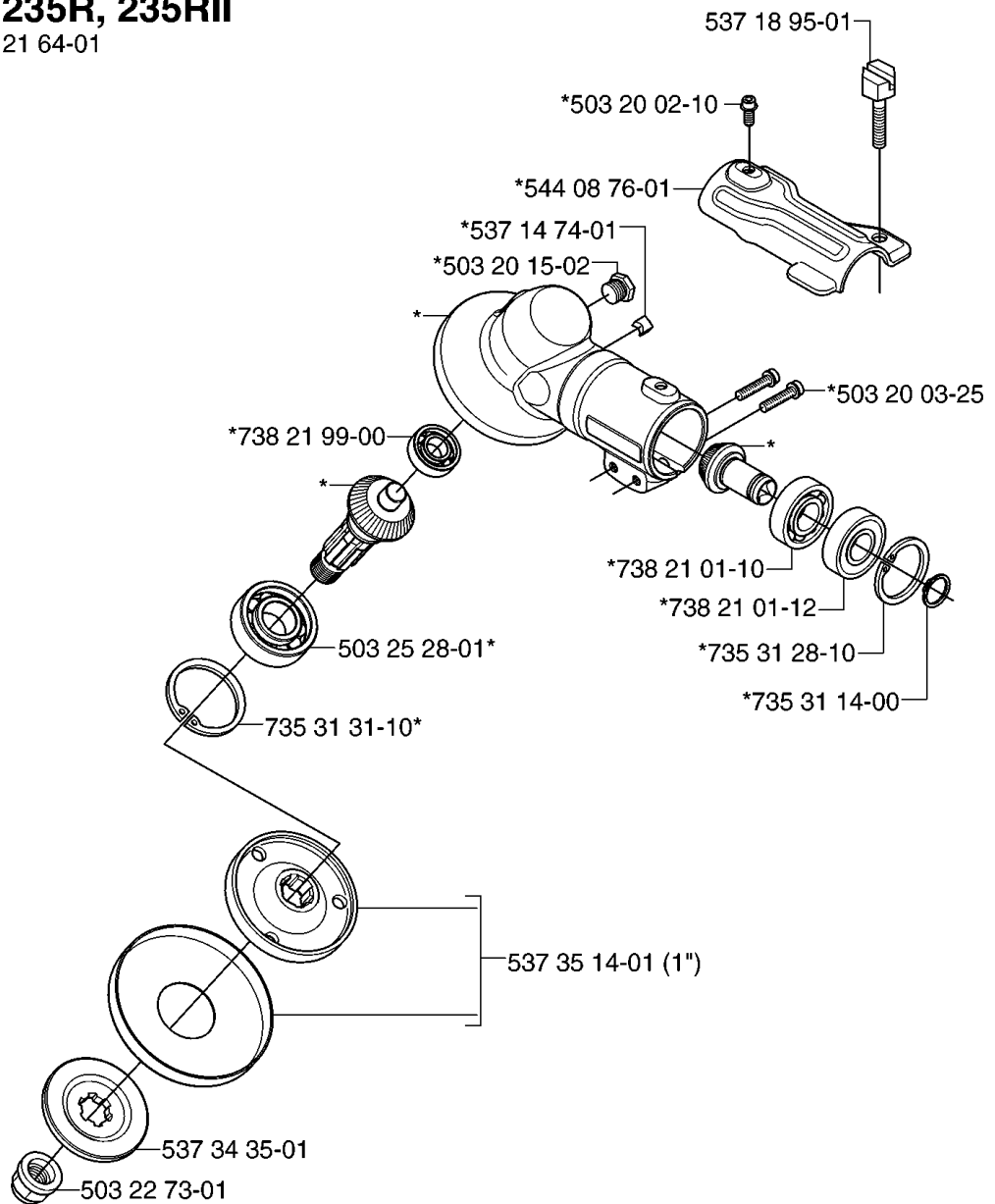


BEVEL GEAR

235 R, 2007-01

Part No	Description	Remark	QTY KIT
502 21 92-08	GEAR		1
503 20 07-20	SCREW IHSCFM		4
503 20 07-25	SCREW IHSCFM		2
503 20 15-01	SCREW IHHM		1
503 69 67-01	GASKET RING UPPER		1
503 70 07-02	DRIVER		1
503 70 29-02	SUPPORT FLANGE		1
503 70 55-01	COVER WASHER		1
503 75 34-01	GEAR WHEEL		1
503 85 32-01	GEAR HOUSING		1
503 85 63-01	NUT		1
735 31 11-00	CIRCLIP		1
735 31 25-10	CIRCLIP		1
735 31 31-10	CIRCLIP		1
738 21 99-00	BALL BEARING		1
738 21 99-00	BALL BEARING		2
738 22 01-19	BALL BEARING		1

A 235FR, 235R, 235RII
*compl 544 21 64-01

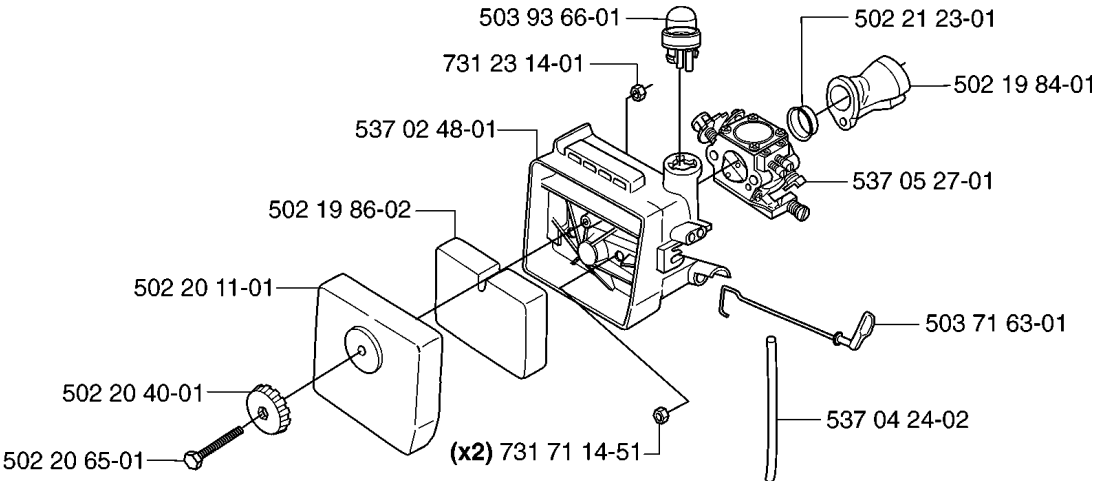


BEVEL GEAR

235 R, 2007-01

Part No	Description	Remark	QTY KIT
503 20 02-10	SCREW IHSCFM		1
503 20 03-25	SCREW IHSCFM		1
503 20 15-02	SCREW IHHM		1
503 22 73-01	NUT		1
503 25 28-01	BALL BEARING		1
537 14 74-01	MAGNET		1
537 18 95-01	SCREW		1
537 34 35-01	SUPPORT FLANGE		1
537 35 14-01	DRIVER		1
544 08 76-01	CLAMP		1
544 21 64-01	GEAR		1
735 31 14-00	CIRCLIP		1
735 31 28-10	CIRCLIP		1
735 31 31-10	CIRCLIP		1
738 21 01-10	BALL BEARING		1
738 21 01-12	BALL BEARING		1
738 21 99-00	BALL BEARING		1

M



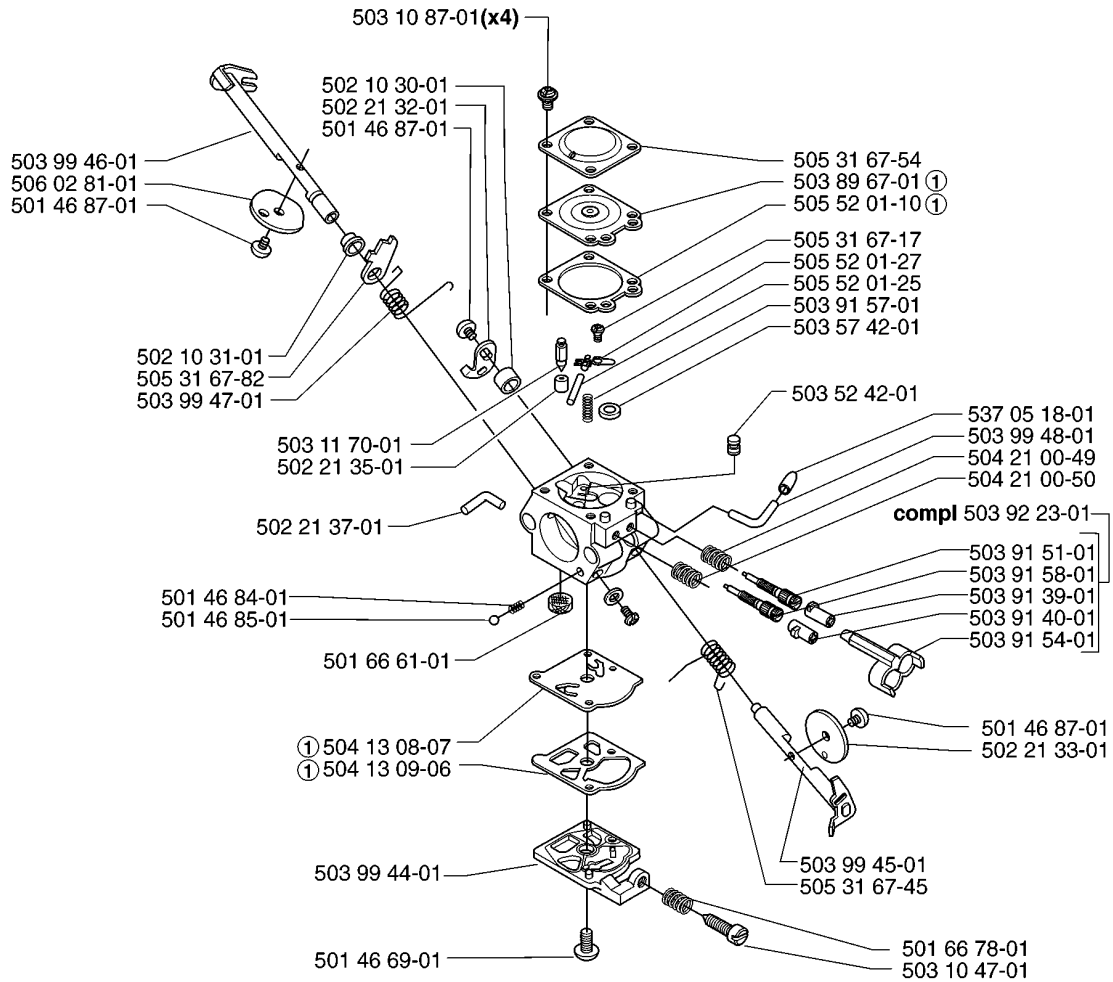
CARBURETOR & AIR FILTER

235 R, 2007-01

Part No	Description	Remark	QTY KIT
502 19 84-01	INLET PIPE		1
502 19 86-02	AIR FILTER		1
502 20 11-01	FILTER COVER		1
502 20 40-01	KNOB		1
502 20 65-01	SCREW EHHM		1
502 21 23-01	SUPPORT RING		1
503 71 63-01	CHOKE CONTROL		1
503 93 66-01	PRIMER HOUSING		1
537 02 48-01	FILTER HOLDER		1
537 04 24-02	FUEL HOSE		1
537 05 27-01	CARBURETTOR		1
731 23 14-01	HEXAGON NUT		1
731 71 14-51	HEXAGON NUT FLANGE		2

R compl 537 05 27-01

Walbro WT 548



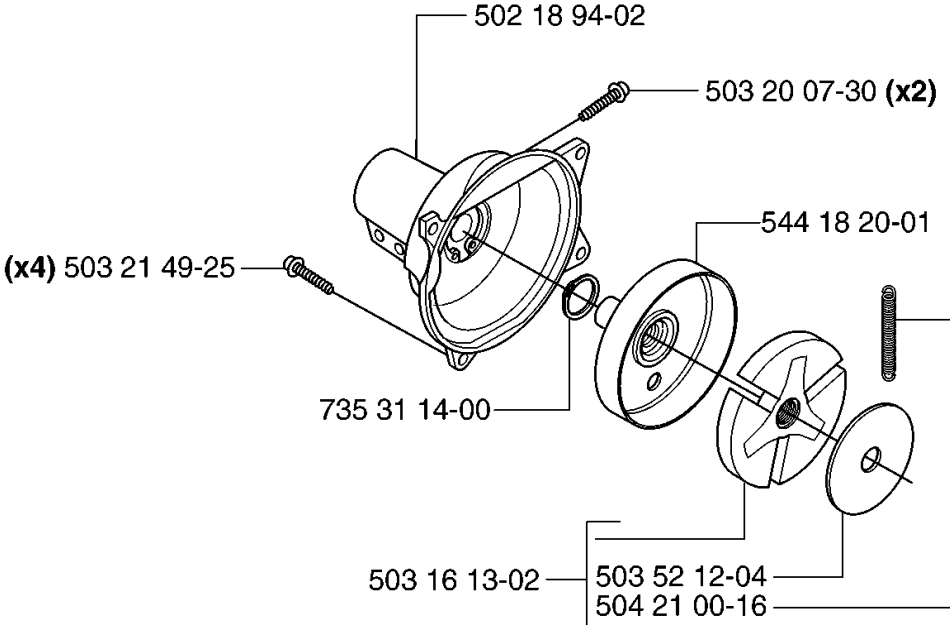
- ① 530 03 51-73
Set of gaskets
Dichtungssatz
Jeu de joints
Juego de juntas
Packningssatz

CARBURETOR DETAILS

235 R, 2007-01

Part No	Description	Remark	QTY KIT
501 46 69-01	SCREW		1
501 46 84-01	SPRING		1
501 46 85-01	BALL		1
501 46 87-01	SCREW		1
501 46 87-01	SCREW		1
501 46 87-01	SCREW		1
501 66 61-01	SCREEN		1
501 66 78-01	SPRING		1
502 10 30-01	DISTANCE		1
502 10 31-01	BUSHING		1
502 21 32-01	LEVER THROTTLE		1
502 21 33-01	VALVE THROTTLE		1
502 21 35-01	SEAT INLET VALVE		1
502 21 37-01	FITTING		1
503 10 47-01	SCREW		1
503 10 87-01	SCREW		4
503 11 70-01	NEEDLE		1
503 52 42-01	NOZZLE ASSY		1
503 57 42-01	PLUG		1
503 89 67-01	DIAPHRAGM		1
503 91 39-01	LIMITER CAP		1
503 91 40-01	LIMITER CAP		1
503 91 51-01	NEEDLE		1
503 91 54-01	RETAINER		1
503 91 57-01	SPRING		1
503 91 58-01	NEEDLE		1
503 92 23-01	LIMITER CAP		1
503 99 44-01	COVER		1
503 99 45-01	SHAFT ASSY		1
503 99 46-01	SHAFT ASSY		1
503 99 47-01	SPRING		1
503 99 48-01	FITTING		1
504 13 08-07	DIAPHRAGM PUMP		1
504 13 09-06	GASKET		1
504 21 00-49	SPRING		1
504 21 00-50	SPRING		1
505 31 67-17	SCREW		1
505 31 67-45	SPRING		1
505 31 67-54	LOCK STYRMEMBRAN		1
505 31 67-82	LEVER		1
505 52 01-10	GASKET		1
505 52 01-25	PIN-METERING LEVER		1
505 52 01-27	LEVER		1
506 02 81-01	VALVE		1
537 05 18-01	PLUG		1
537 05 27-01	CARBURETTOR		1

G 235FR, 235R, 235RII

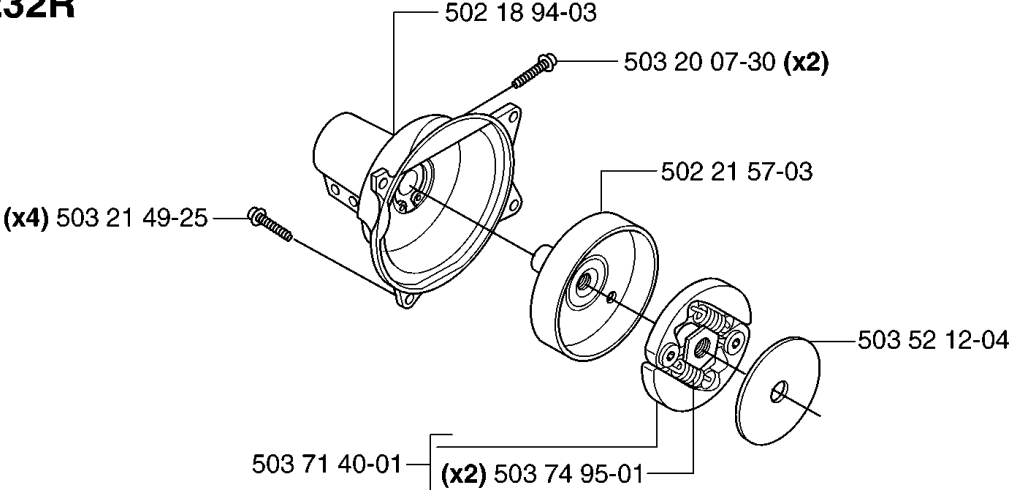


CLUTCH

235 R, 2007-01

Part No	Description	Remark	QTY KIT
502 18 94-02	CLUTCH COVER ASSY		1
503 16 13-02	CLUTCH ASSY		1
503 20 07-30	SCREW IHSCFM		2
503 21 49-25	SCREW IHSCFT		4
503 52 12-04	WASHER		1
504 21 00-16	CLUTCH SPRING		1
544 18 20-01	CLUTCH DRUM ASSY		1
735 31 14-00	CIRCLIP		1

G 232L, 232R

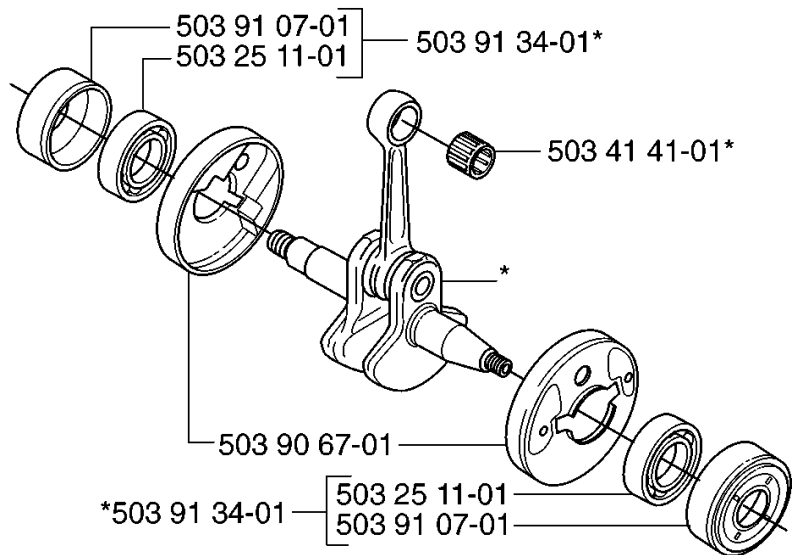


CLUTCH

235 R, 2007-01

Part No	Description	Remark	QTY KIT
502 18 94-03	CLUTCH COVER ASSY		1
502 21 57-03	CLUTCH DRUM ASSY		1
503 20 07-30	SCREW IHSCFM		2
503 21 49-25	SCREW IHSCFT		4
503 52 12-04	WASHER		1
503 71 40-01	CLUTCH ASSY		1
503 74 95-01	CLUTCH SPRING		2

Q *compl 502 21 28-04

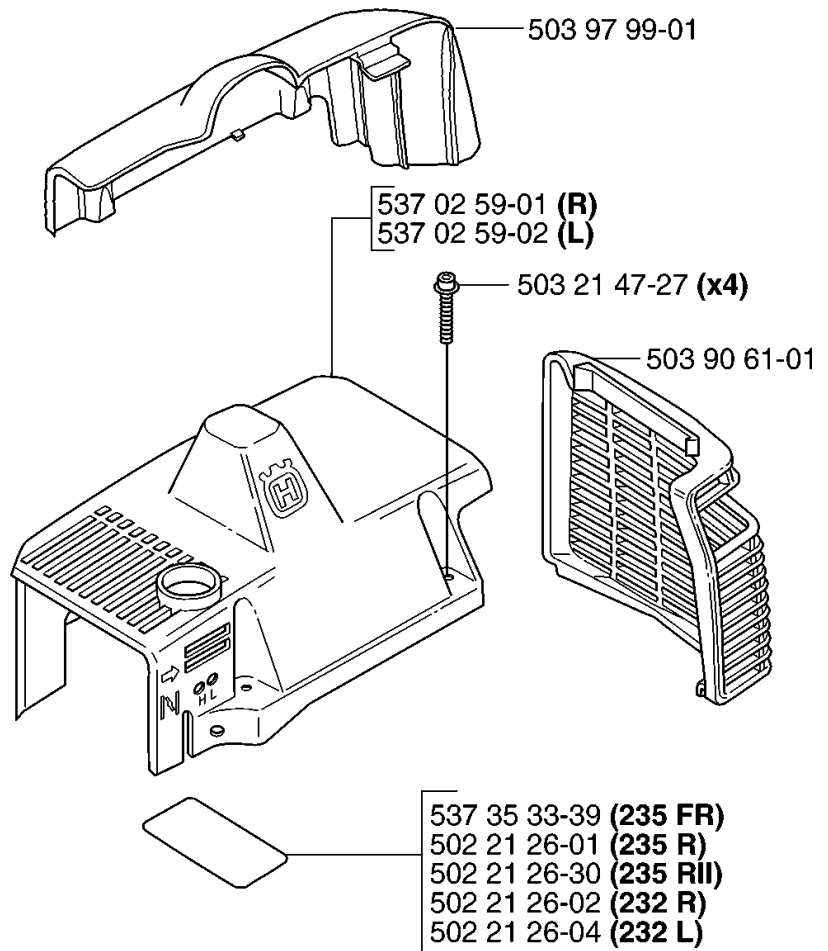


CRANKSHAFT

235 R, 2007-01

Part No	Description	Remark	QTY KIT
502 21 28-04	CRANKSHAFT ASSY		1
503 25 11-01	BALL BEARING		1
503 25 11-01	BALL BEARING		1
503 41 41-01	NEEDLE BEARING		1
503 90 67-01	CUP		1
503 91 07-01	BEARING CAGE		1
503 91 07-01	BEARING CAGE		1
503 91 34-01	BEARING CAGE		1
503 91 34-01	BEARING CAGE		1

H

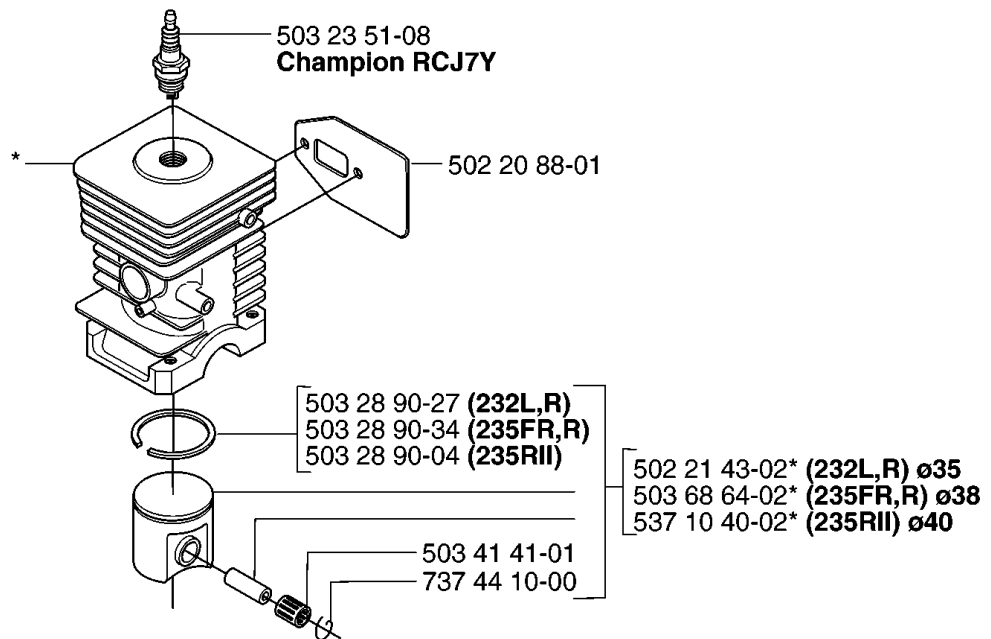


CYLINDER COVER

235 R, 2007-01

Part No	Description	Remark	QTY KIT
502 21 26-01	DECAL		1
502 21 26-02	DECAL		1
502 21 26-04	DECAL		1
502 21 26-30	DECAL		1
503 21 47-27	SCREW IHSCFTO		4
503 90 61-01	HEAT PROTECTOR		1
503 97 99-01	ARM PROTECTION		1
537 02 59-01	CYLINDER COVER		1
537 02 59-02	CYLINDER COVER		1
537 35 33-39	LABEL		1

- P** *compl 503 72 80-01 (232L,R) ø35
 *compl 503 69 46-01 (235FR,R) ø38
 *compl 537 10 41-01 (235Rll) ø40

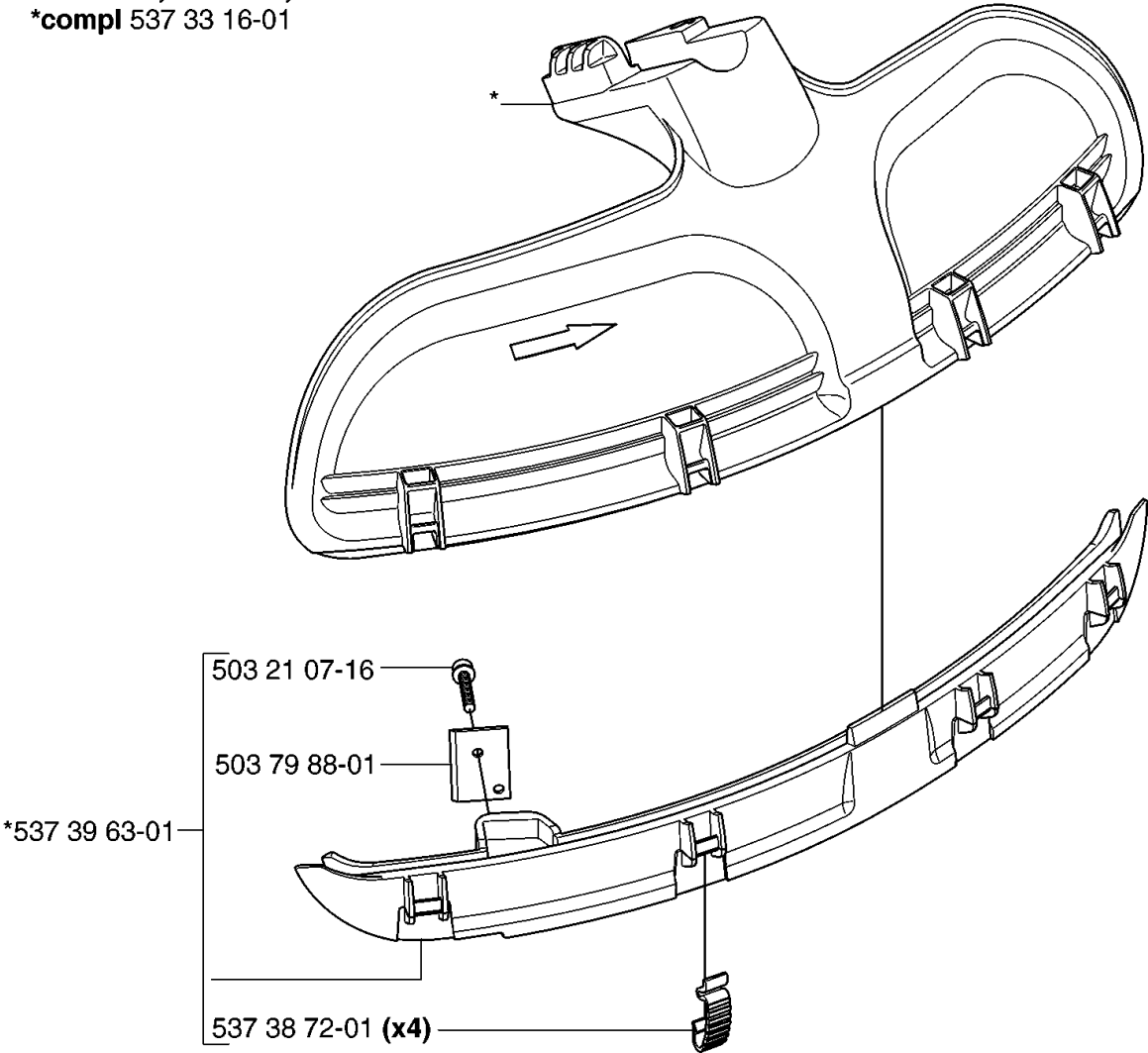


CYLINDER PISTON

235 R, 2007-01

Part No	Description	Remark	QTY KIT
502 20 88-01	GASKET MUFFLER		1
502 21 43-02	PISTON ASSY		1
503 23 51-08	SPARK PLUG		1
503 28 90-04	PISTON RING		1
503 28 90-27	PISTON RING		1
503 28 90-34	PISTON RING		1
503 41 41-01	NEEDLE BEARING		1
503 68 64-02	PISTON ASSY		1
503 69 46-01	PISTON		1
503 72 80-01	KOLV + CYL R-DEL		1
537 10 40-02	PISTON ASSY		1
537 10 41-01	PISTON		1
737 44 10-00	SNAP RING		1

U 235FR, 235R, 235R11
*compl 537 33 16-01



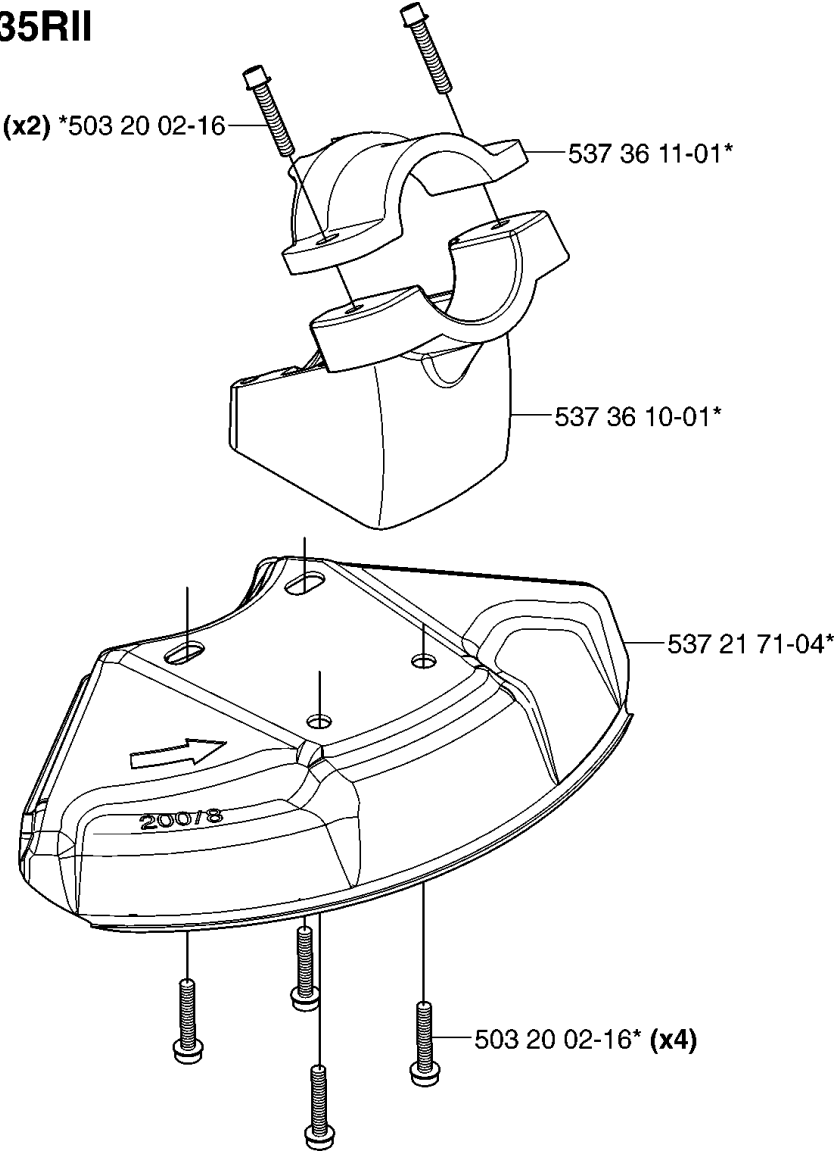
GUARDS

235 R, 2007-01

Part No	Description	Remark	QTY KIT
503 21 07-16	SCREW IHSCT		1
503 79 88-01	BLADE		1
537 33 16-01	COMBI GUARD		1
537 38 72-01	SNAP		4
537 39 63-01	SPLASH GUARD		1

U 235FR, 235R, 235R11

*compl 537 38 77-01

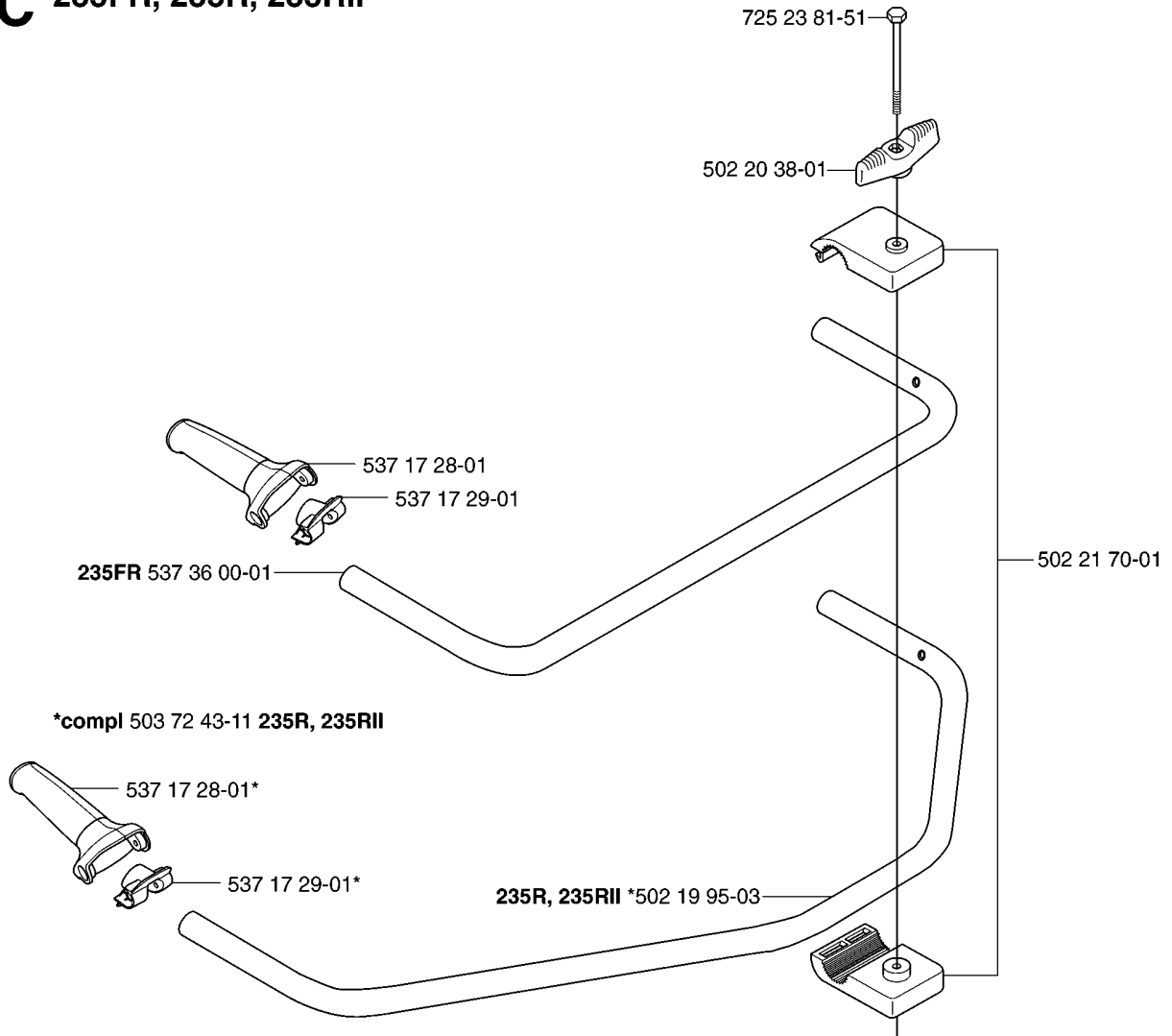


GUARDS

235 R, 2007-01

Part No	Description	Remark	QTY KIT
503 20 02-16	SCREW IHSCFM		2
503 20 02-16	SCREW IHSCFM		4
537 21 71-04	SAW BLADE GUARD		1
537 36 10-01	ADAPTER		1
537 36 11-01	CLAMP		1
537 38 77-01	SAW BLADE GUARD		1

C 235FR, 235R, 235RII

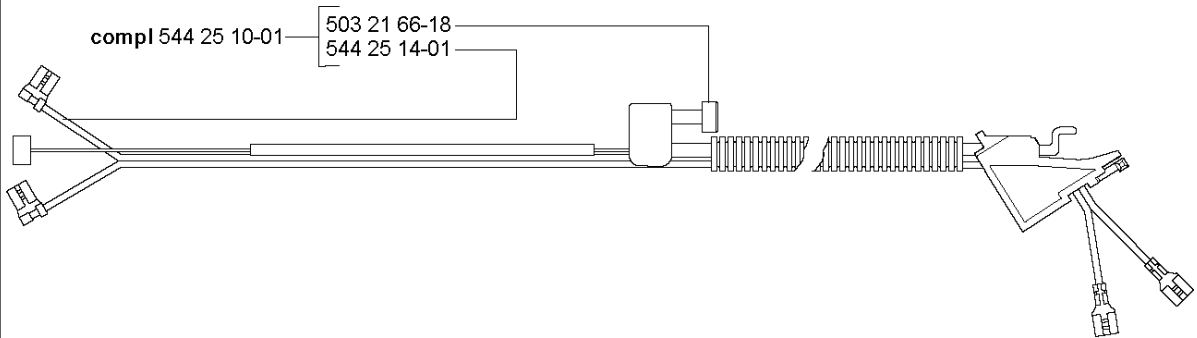
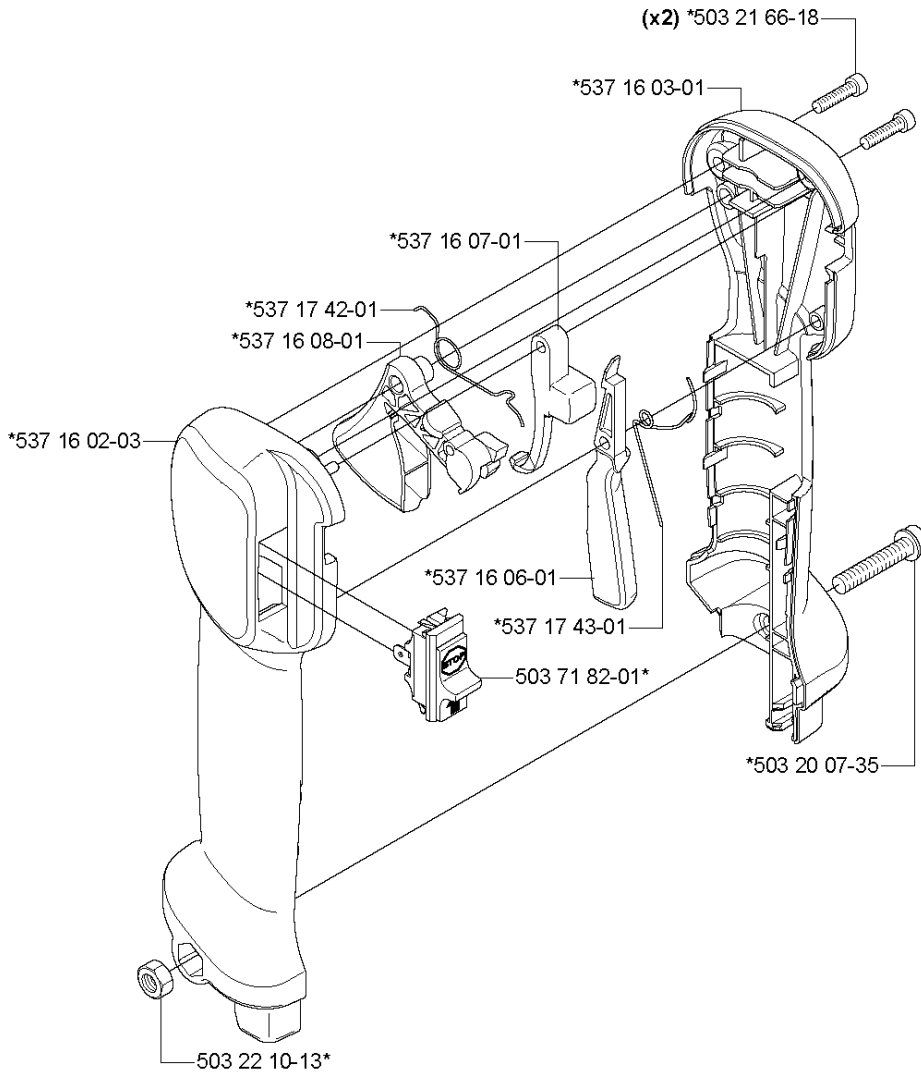


HANDLE

235 R, 2007-01

Part No	Description	Remark	QTY KIT
502 19 95-03	HANDLEBAR		1
502 20 38-01	KNOB		1
502 20 38-01	KNOB		1
502 21 70-01	HANDLEBAR BRACKET		1
503 72 43-11	HANDLEBAR PART ASSY		1
537 17 28-01	HANDLE		1
537 17 28-01	HANDLE		1
537 17 29-01	COVER		1
537 17 29-01	COVER		1
537 36 00-01	HANDLEBAR		1
725 23 81-51	SCREW EHHM		1
725 23 81-51	SCREW EHHM		1

D 235FR, 235R, 235RII
*compl 537 18 35-07

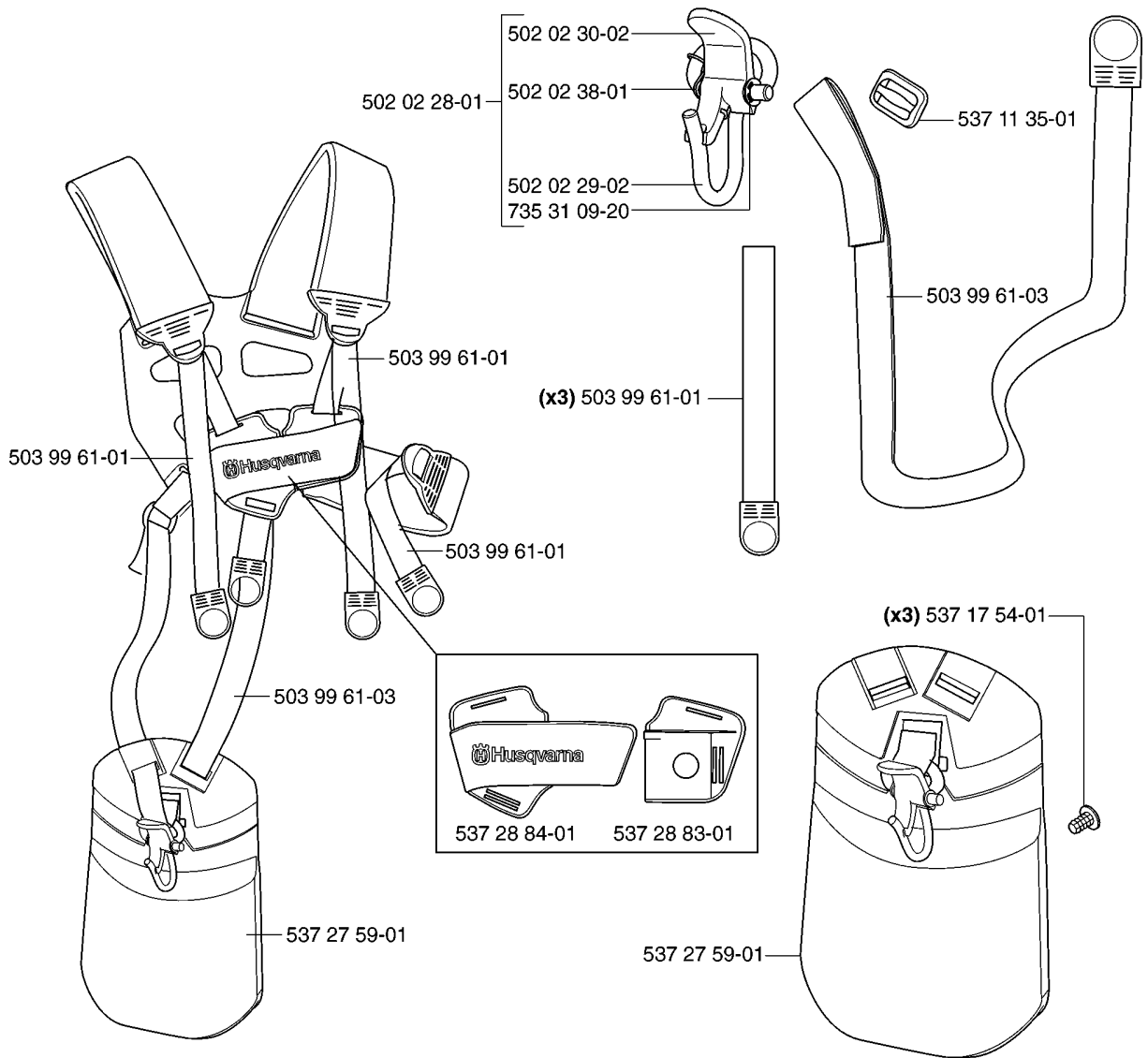


HANDLE & CONTROLS

235 R, 2007-01

Part No	Description	Remark	QTY KIT
503 20 07-35	SCREW IHSCFM		1
503 21 66-18	SCREW IHSCT		2
503 21 66-18	SCREW IHSCT		1
503 22 10-13	HEXAGON NUT		1
503 71 82-01	SWITCH		1
537 16 02-03	HANDLE HALF		1
537 16 03-01	HANDLE HALF		1
537 16 06-01	THROTTLE LOCKOUT		1
537 16 07-01	STARTER THROTTLE LOC		1
537 16 08-01	THROTTLE TRIGGER		1
537 17 42-01	SPRING THROTTLE TRIG		1
537 17 43-01	SPRING		1
537 18 35-07	HANDLE SYSTEM		1
544 25 10-01	WIRING ASSY		1
544 25 14-01	SHORT CIRCUIT CABLE		1

S Duo Balance
compl 537 27 57-01
compl 537 27 57-03 US



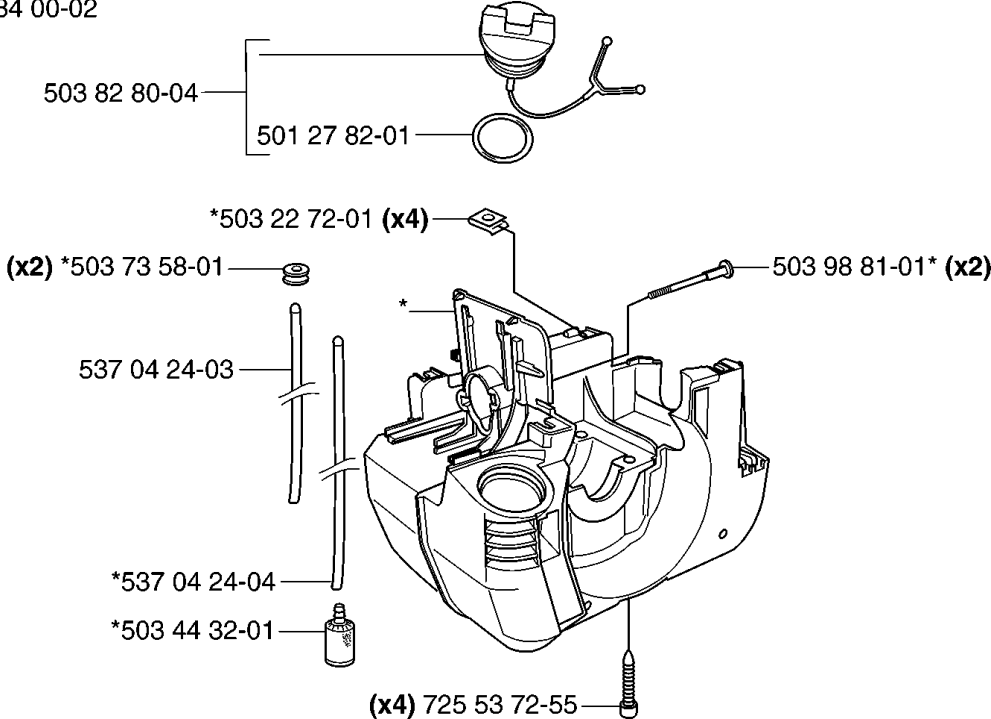
HARNESS

235 R, 2007-01

Part No	Description	Remark	QTY KIT
502 02 28-01	HARNESS		1
502 02 29-02	HARNESS		1
502 02 30-02	HARNESS		1
502 02 38-01	HARNESS		1
503 99 61-01	HARNESS		1
503 99 61-01	HARNESS		1
503 99 61-01	HARNESS		1
503 99 61-01	HARNESS		3
503 99 61-03	BAND		1
503 99 61-03	BAND		1
537 11 35-01	RETAINER		1
537 17 54-01	HARNESS		3
537 27 57-01	HARNESS		1
537 27 57-03	HARNESS		1
537 27 59-01	HIP PAD		1
537 27 59-01	HIP PAD		1
537 28 83-01	FRONT PIECE		1
537 28 84-01	FRONT PIECE		1
735 31 09-20	HARNESS		1

L

***compl 503 84 00-02**

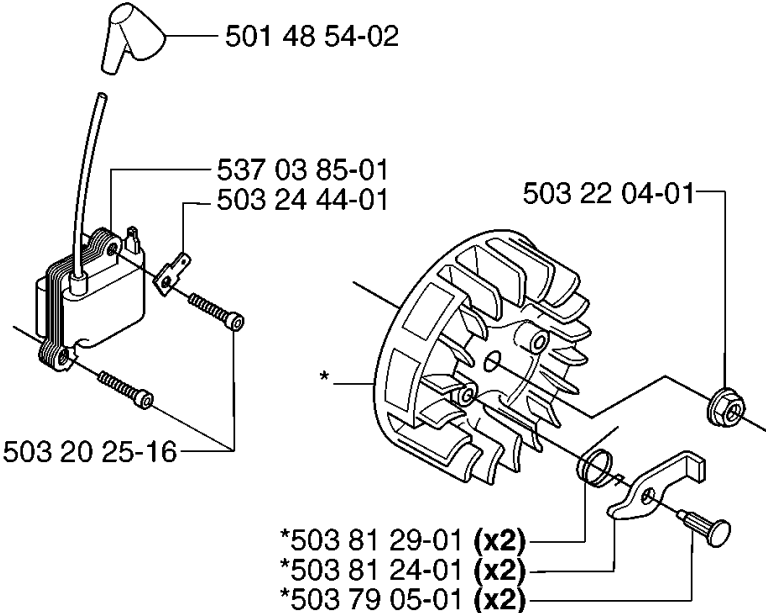


HOUSING

235 R, 2007-01

Part No	Description	Remark	QTY KIT
501 27 82-01	GASKET		1
503 22 72-01	SPEED NUT		4
503 44 32-01	FILTER		1
503 73 58-01	BUSHING		2
503 82 80-04	TANK CAP ASSY		1
503 84 00-02	CRANKCASE		1
503 98 81-01	SCREW		2
537 04 24-03	FUEL HOSE		1
537 04 24-04	FUEL HOSE		1
725 53 72-55	SCREW IHSCM		4

N *compl 503 79 06-01

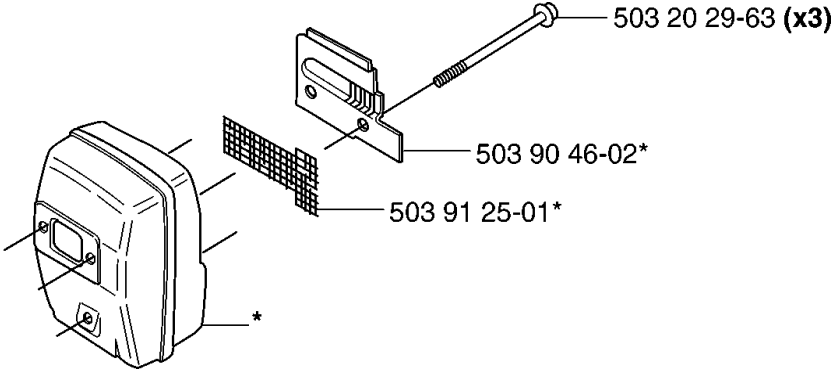


IGNITION SYSTEM

235 R, 2007-01

Part No	Description	Remark	QTY KIT
501 48 54-02	SPARK PLUG CAP		1
503 20 25-16	SCREW IHSCM		1
503 22 04-01	NUT		1
503 24 44-01	FLAT PIN		1
503 79 05-01	RIVET		2
503 79 06-01	FLYWHEEL		1
503 81 24-01	STARTER PAWL		2
503 81 29-01	SPRING		2
537 03 85-01	MODULE		1

J *compl 503 90 47-02

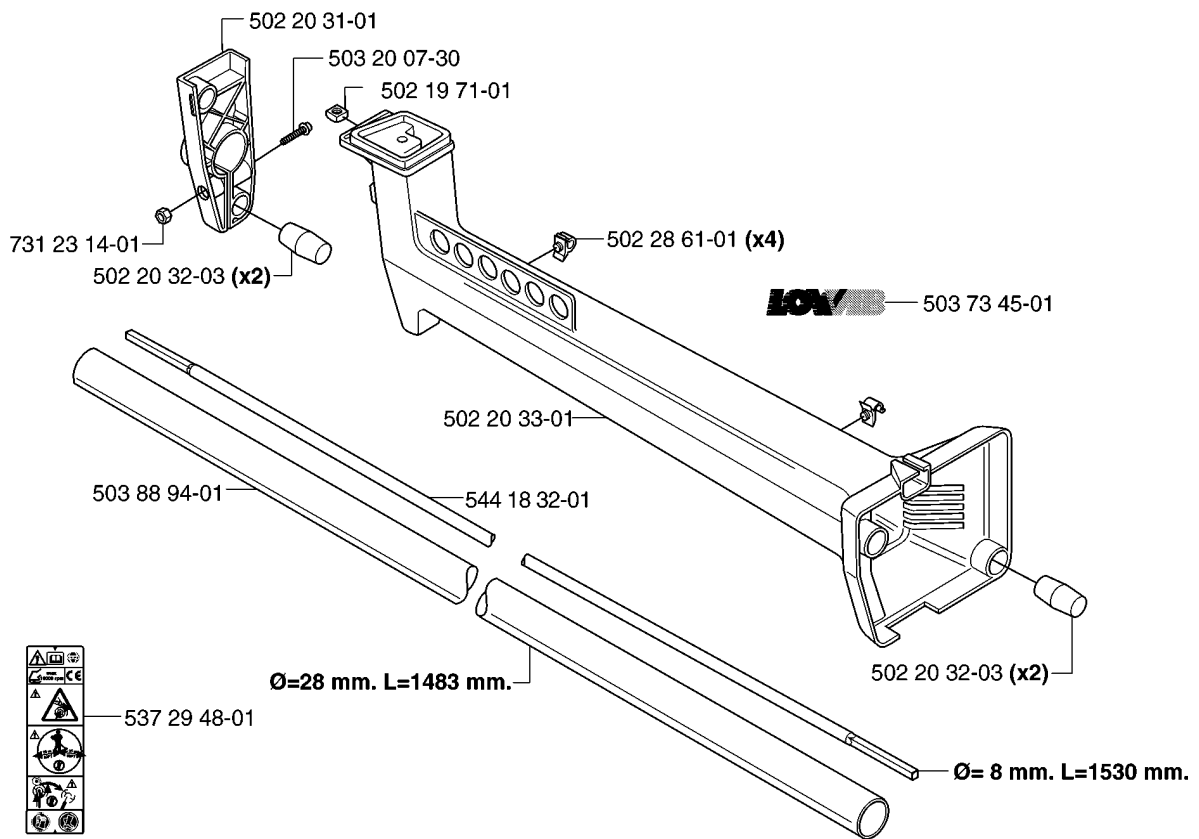


MUFFLER

235 R, 2007-01

Part No	Description	Remark	QTY KIT
503 20 29-63	SCREW IHSCFM		3
503 90 46-02	EXHAUST DUCT		1
503 90 47-02	MUFFLER ASSY		1
503 91 25-01	SPARK ARRESTER SCREEN		1

B 235FR, 235R, 235R11

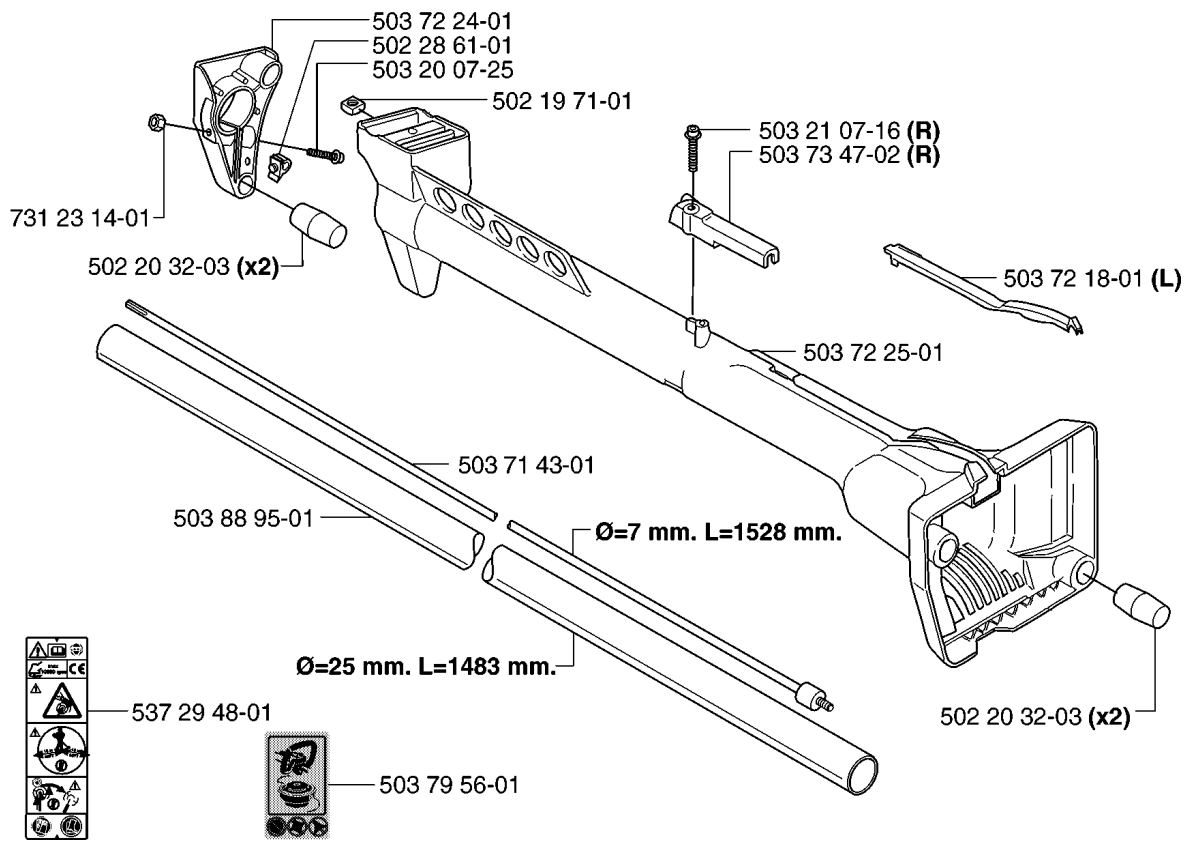


SHAFT

235 R, 2007-01

Part No	Description	Remark	QTY KIT
502 19 71-01	SQUARE NUT		1
502 20 31-01	HOLDER ANTIVIBRATION		1
502 20 32-03	ANTIVIBRATION ELEMENT		2
502 20 32-03	ANTIVIBRATION ELEMENT		2
502 20 33-01	SUSPENSION		1
502 28 61-01	CLIP		4
503 20 07-30	SCREW IHSCFM		1
503 73 45-01	LABEL		1
503 88 94-01	TUBE		1
537 29 48-01	LABEL		1
544 18 32-01	DRIVE SHAFT		1
731 23 14-01	HEXAGON NUT		1

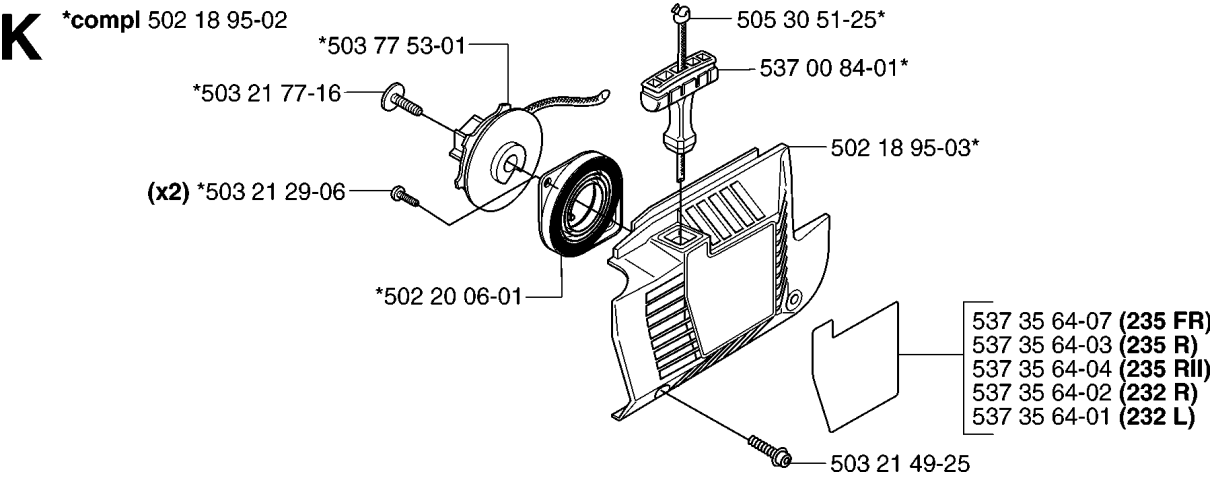
B 232L, 232R



SHAFT

235 R, 2007-01

Part No	Description	Remark	QTY KIT
502 19 71-01	SQUARE NUT		1
502 20 32-03	ANTIVIBRATION ELEMENT		2
502 20 32-03	ANTIVIBRATION ELEMENT		2
502 28 61-01	CLIP		1
503 20 07-25	SCREW IHSCFM		1
503 21 07-16	SCREW IHSCF		1
503 71 43-01	DRIVE SHAFT ASSY		1
503 72 18-01	COVER		1
503 72 24-01	HOLDER ANTIVIBRATION		1
503 72 25-01	SUSPENSION		1
503 73 47-02	LOCK KABLAGE STYRE		1
503 79 56-01	LABEL		1
503 88 95-01	TUBE		1
537 29 48-01	LABEL		1
731 23 14-01	HEXAGON NUT		1



STARTER

235 R, 2007-01

Part No	Description	Remark	QTY KIT
502 18 95-02	STARTER		1
502 18 95-03	STARTER		1
502 20 06-01	SPRING CASSETTE ASSY		1
503 21 29-06	SCREW CCRPANT		2
503 21 49-25	SCREW IHSCFT		1
503 21 77-16	SCREW IHSCFT		1
503 77 53-01	STARTER PULLEY		1
505 30 51-25	STARTER CORD		1
537 00 84-01	STARTER HANDLE		1
537 35 64-01	LABEL		1
537 35 64-02	LABEL		1
537 35 64-03	LABEL		1
537 35 64-04	LABEL		1
537 35 64-07	LABEL		1