

250 R

252 RX

250 R (EPA)

252 RX (EPA)

Spare parts

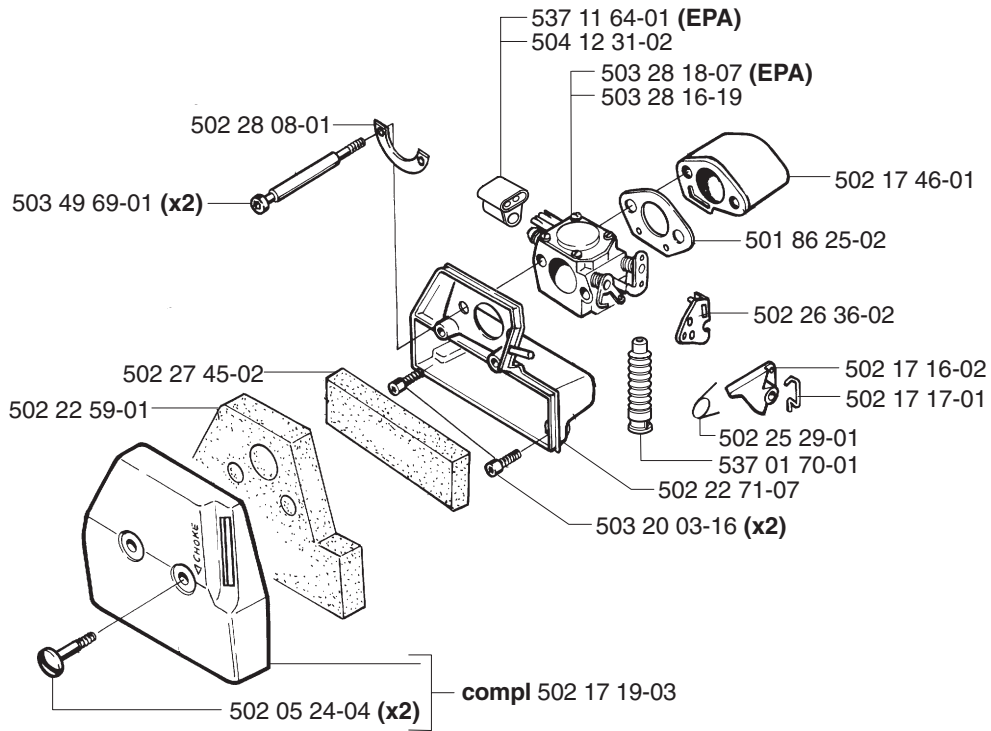
Ersatzteile

Pi ces d tach es

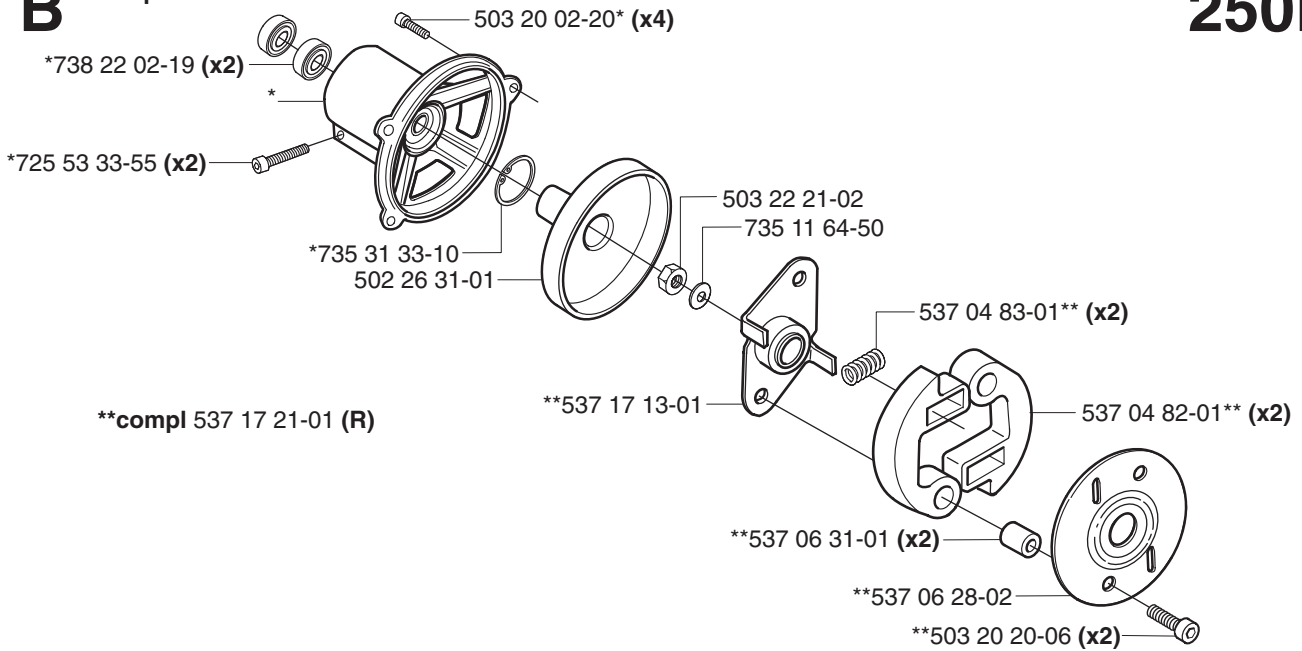
Reserve onderdelen

Repuestos

Reservdelar

A**B**

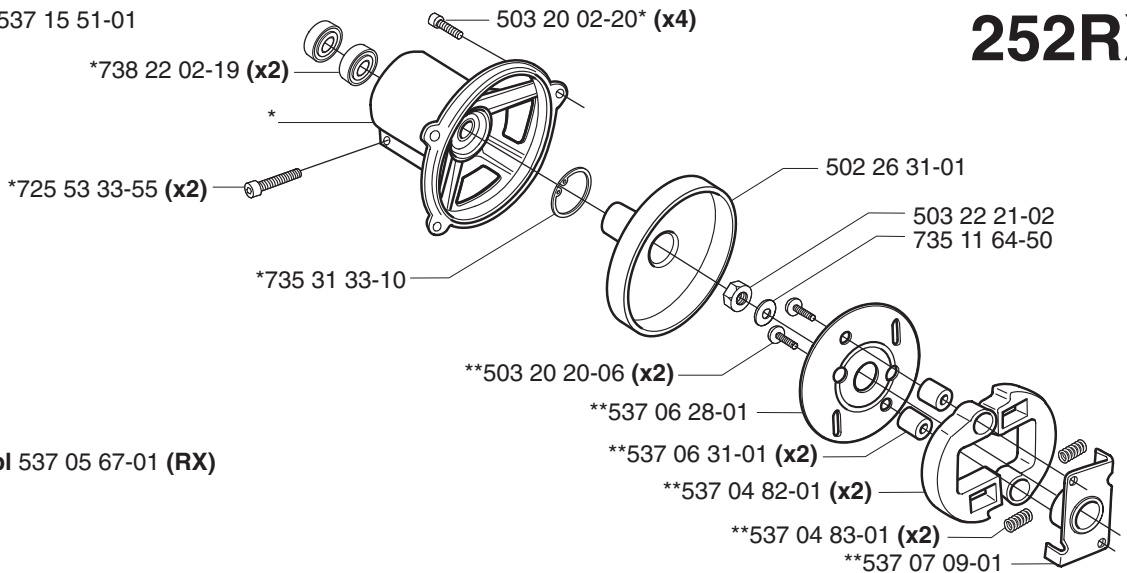
*compl 537 15 51-01

250R

**compl 537 17 21-01 (R)

C

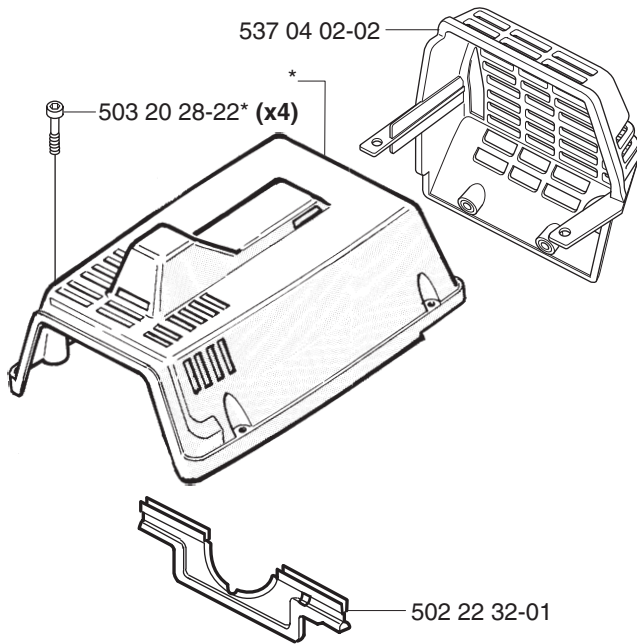
*compl 537 15 51-01

252RX

**compl 537 05 67-01 (RX)

D

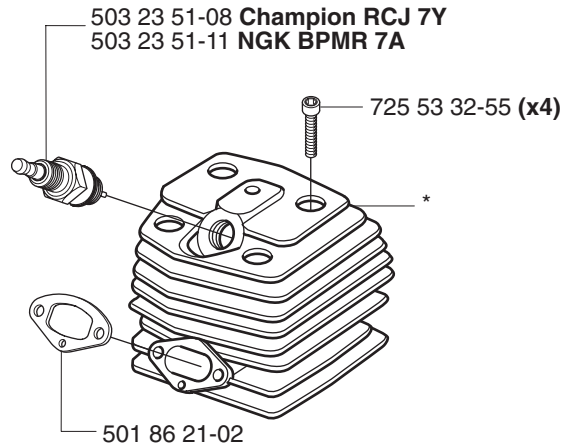
*compl 502 22 46-05



502 21 26-28 (250R)

 250 **R**

502 21 26-29 (252RX)

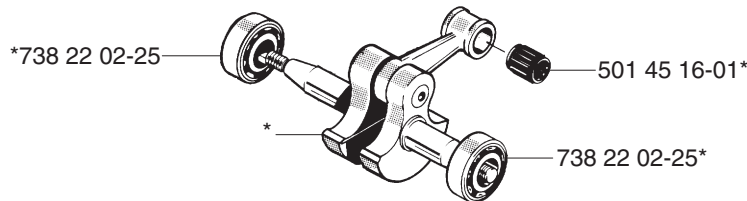
 252 **RX**
E*compl 502 27 34-01 (250 R)
*compl 502 22 77-02 (252 RX)503 28 90-10 (250)
503 28 90-11 (252)

737 44 10-00 (x2)

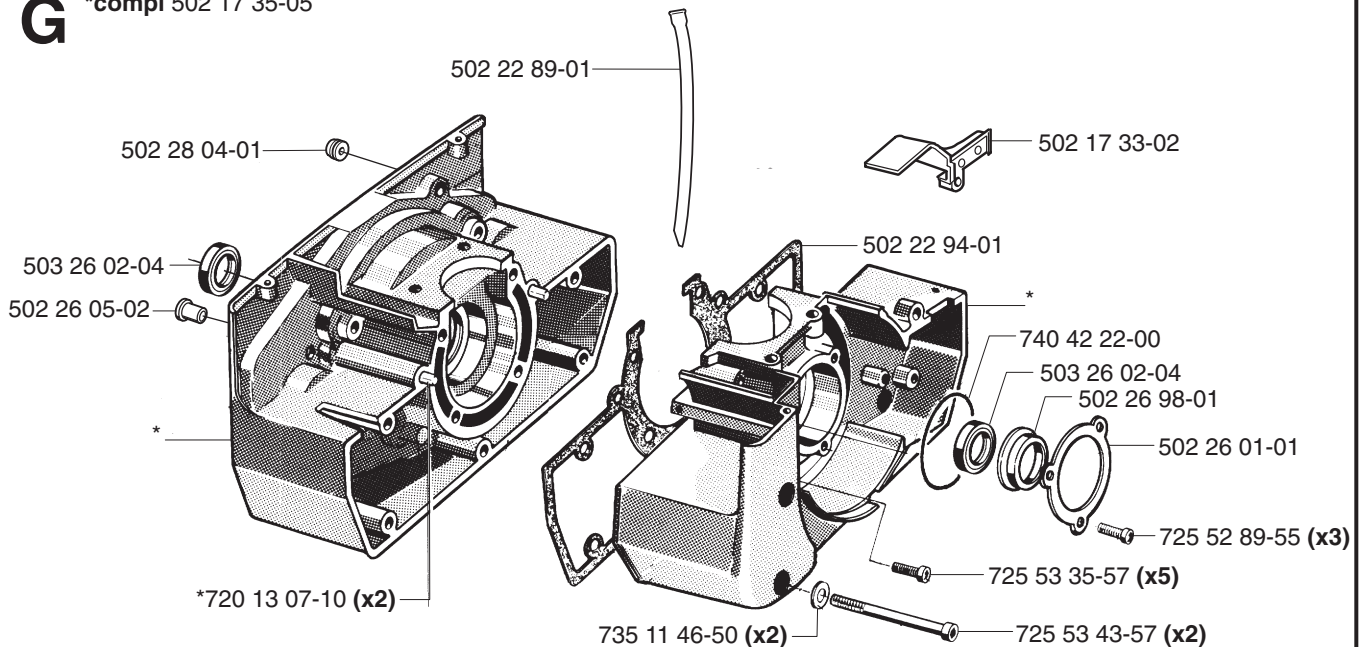
501 45 16-01

*502 27 35-01 (250 R)
*502 22 79-01 (252 RX)**F**

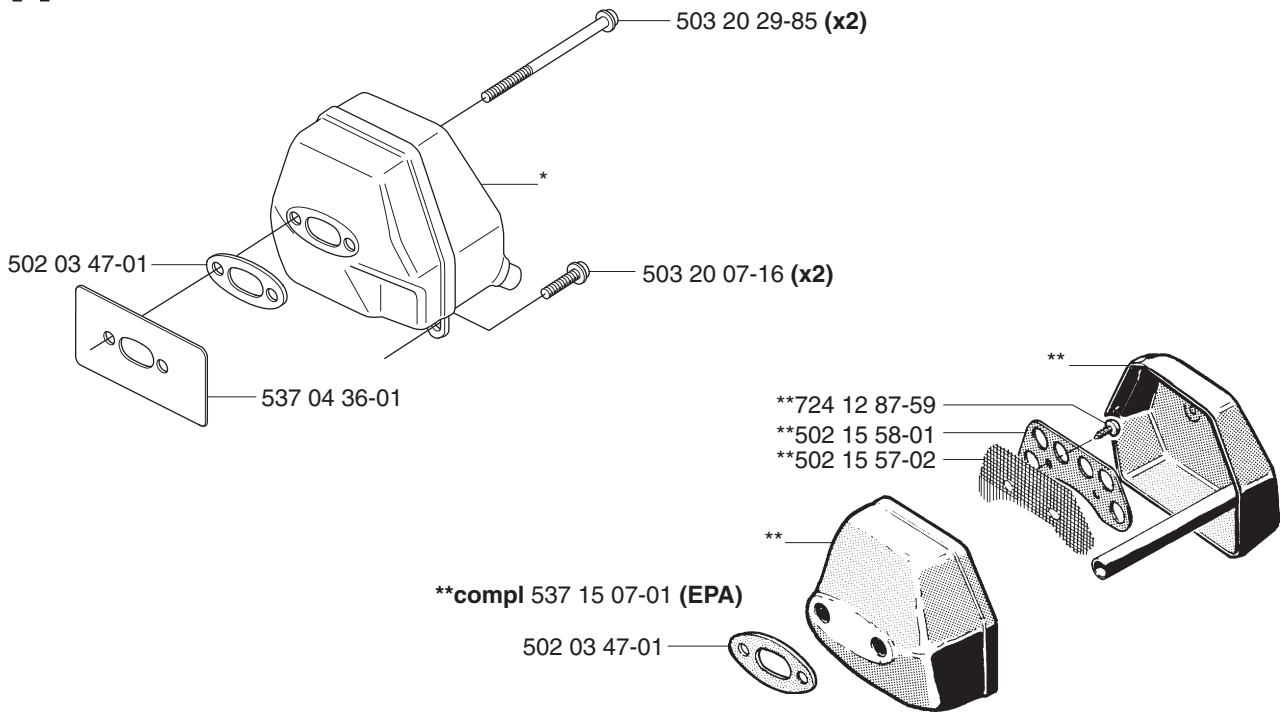
*compl 502 05 08-74

**G**

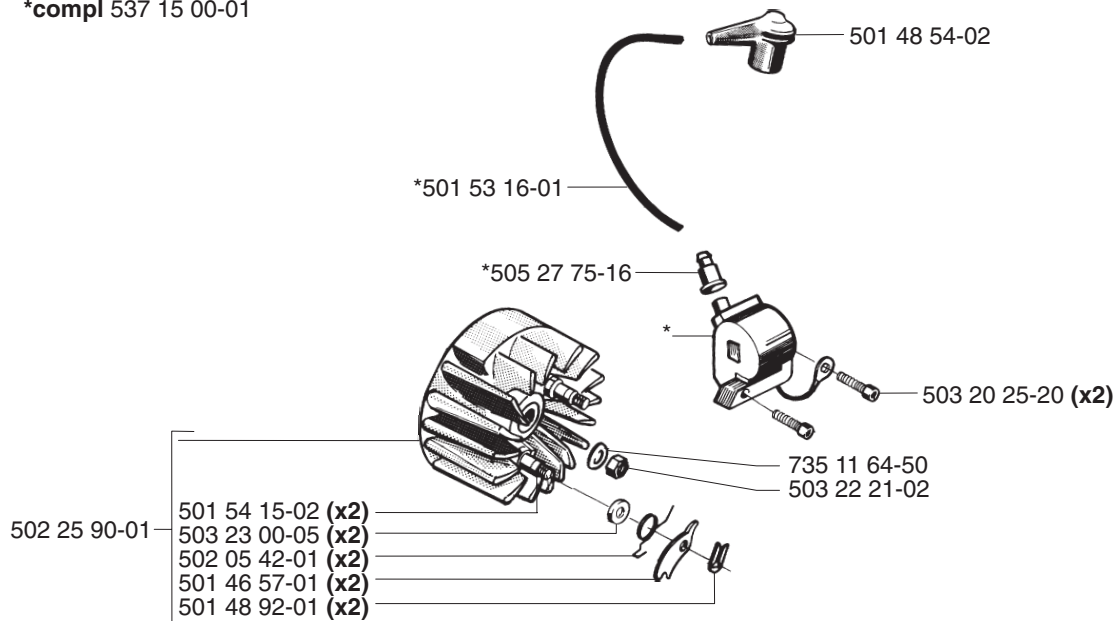
*compl 502 17 35-05



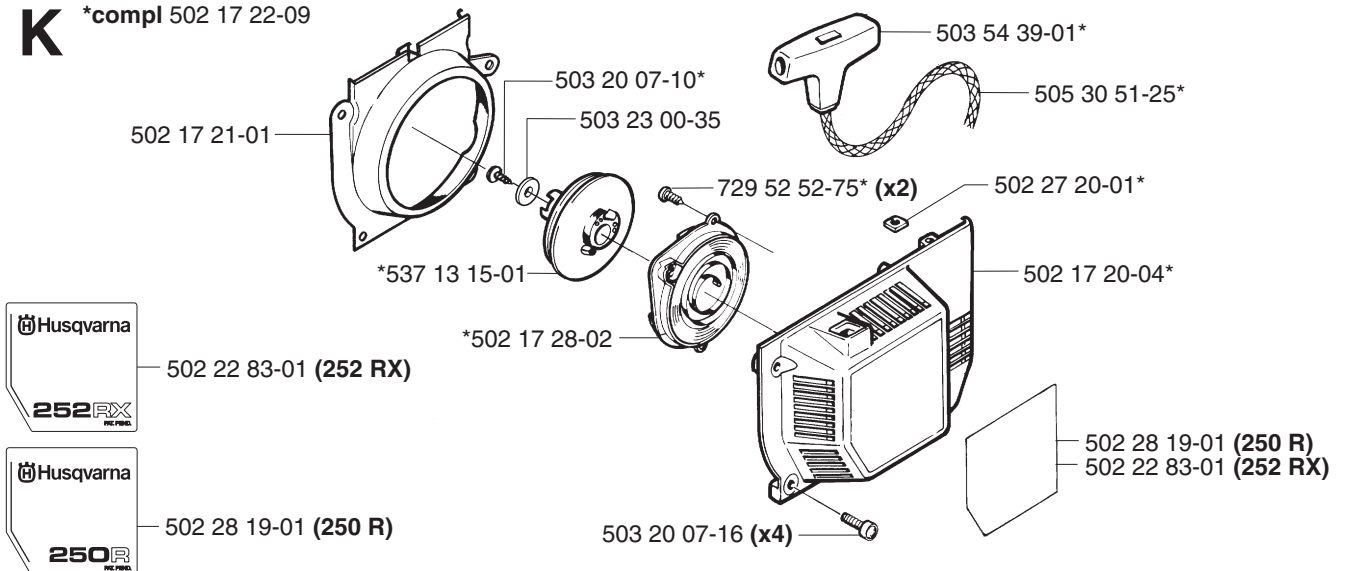
H *compl 537 15 06-01



J *compl 537 15 00-01

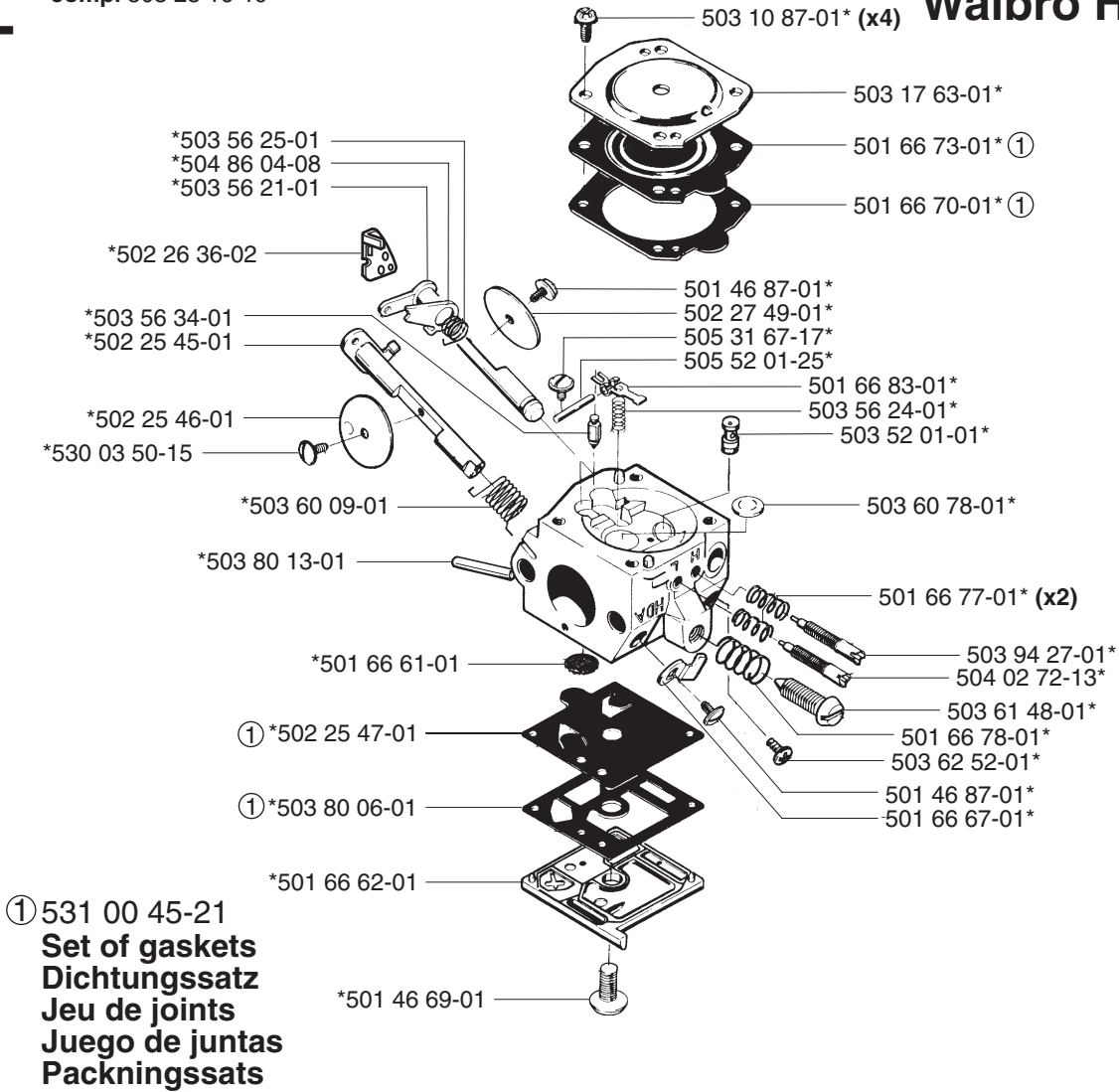


K *compl 502 17 22-09

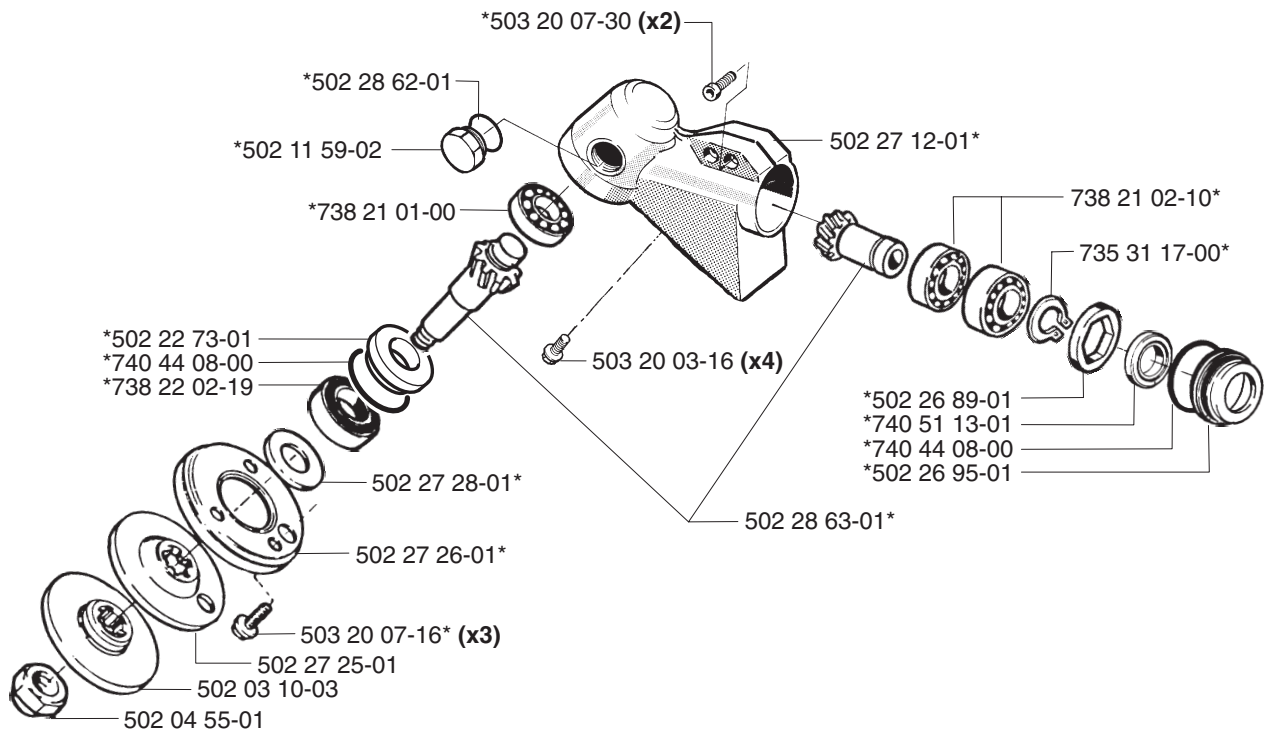


L

*compl 503 28 16-19

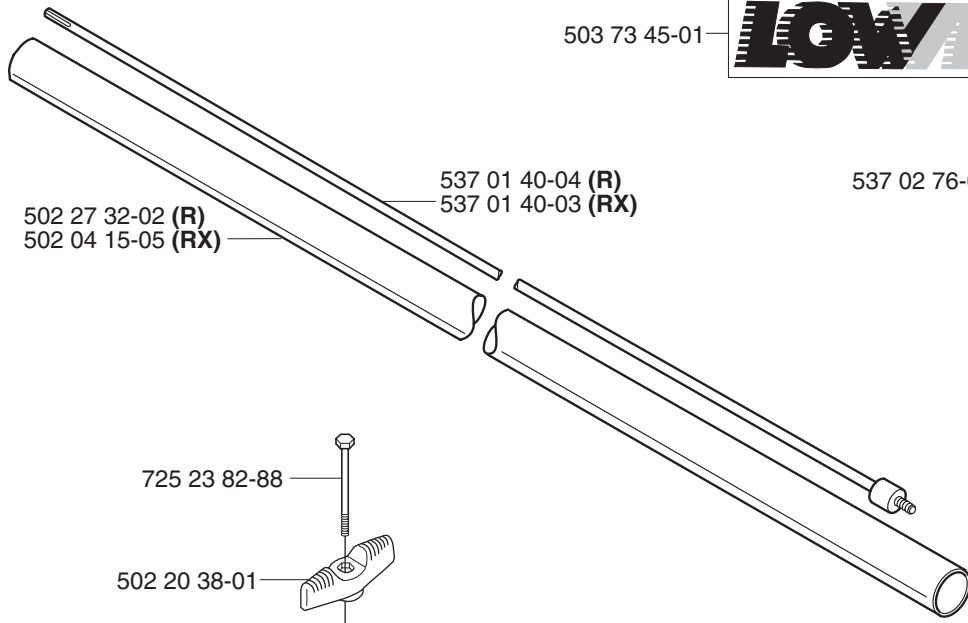
Walbro HDA-142**M**

*compl 502 27 11-02



N

503 73 45-01



725 23 82-88

502 20 38-01

503 20 07-25 (x2)

502 27 64-01

502 28 21-01

502 27 63-01

502 28 03-01

503 21 49-16 (x2)

502 22 15-01

503 20 07-35 (x2)

502 19 71-01

503 22 10-12 (x2)

502 22 19-01 (x2)

502 22 16-01

503 82 80-05

501 27 82-01

503 57 89-01

503 52 97-01

501 76 83-30

503 44 32-01

503 21 49-32 (x2)

502 20 68-02

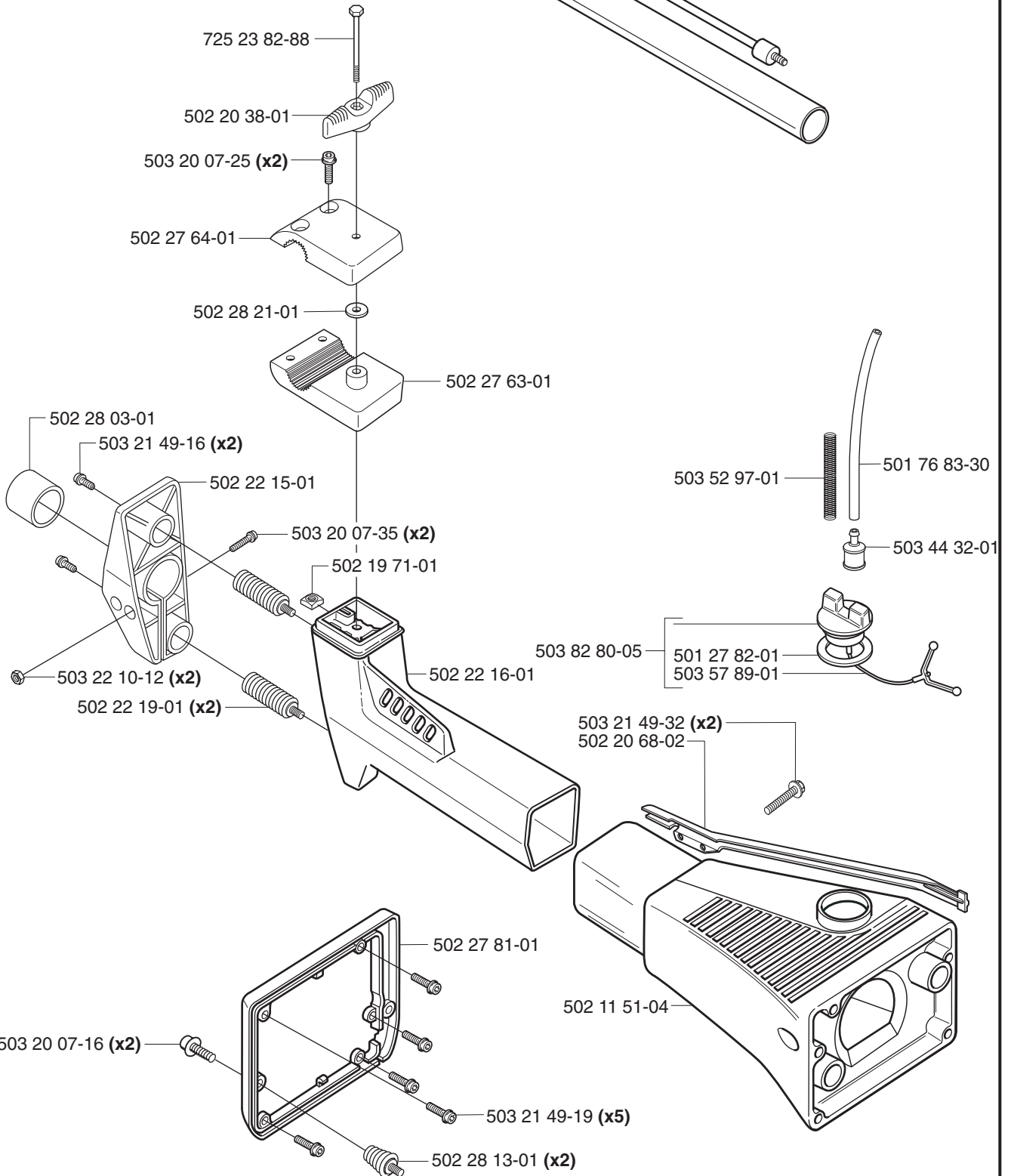
502 27 81-01

502 11 51-04

503 20 07-16 (x2)

503 21 49-19 (x5)

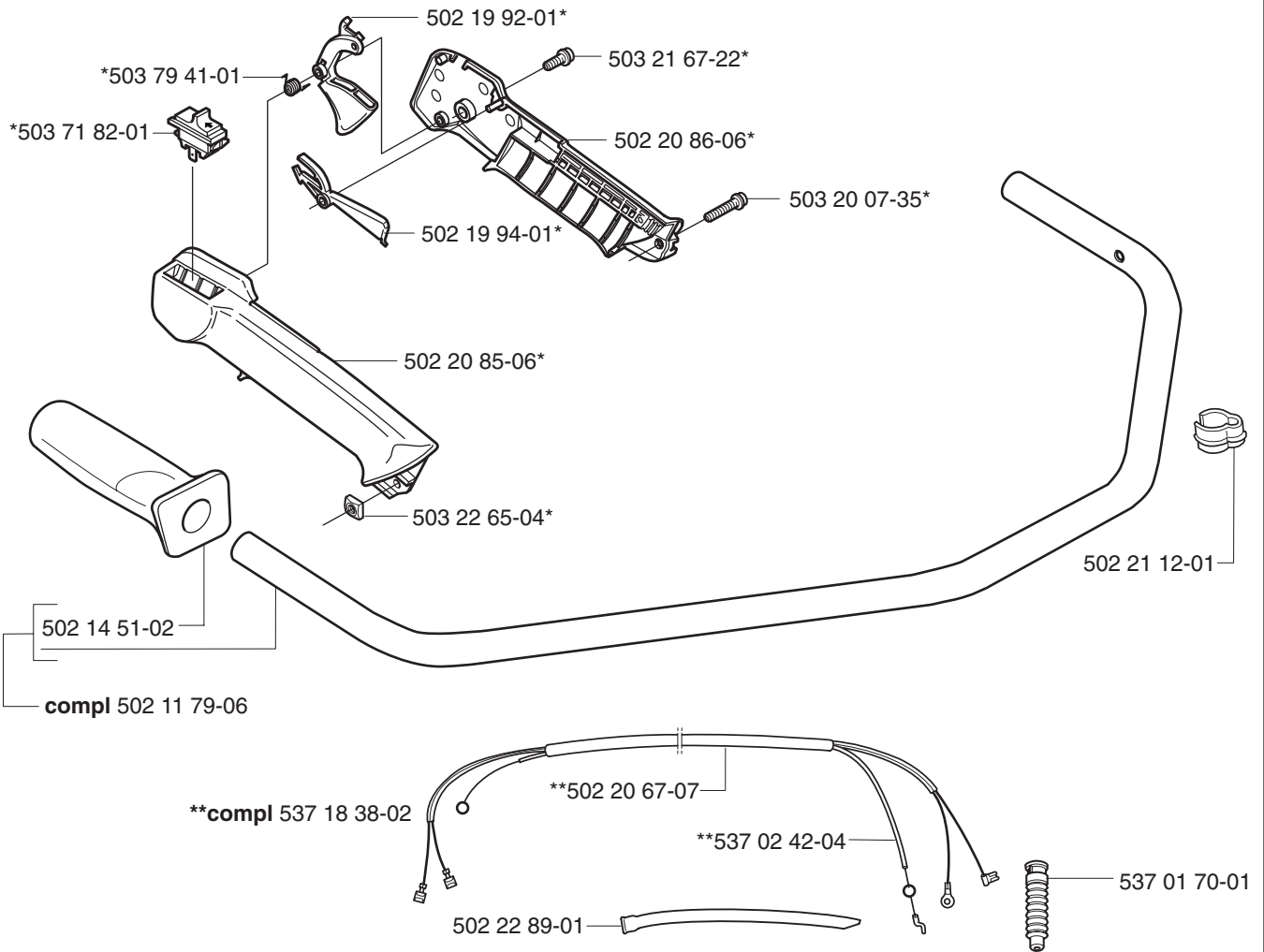
502 28 13-01 (x2)



P

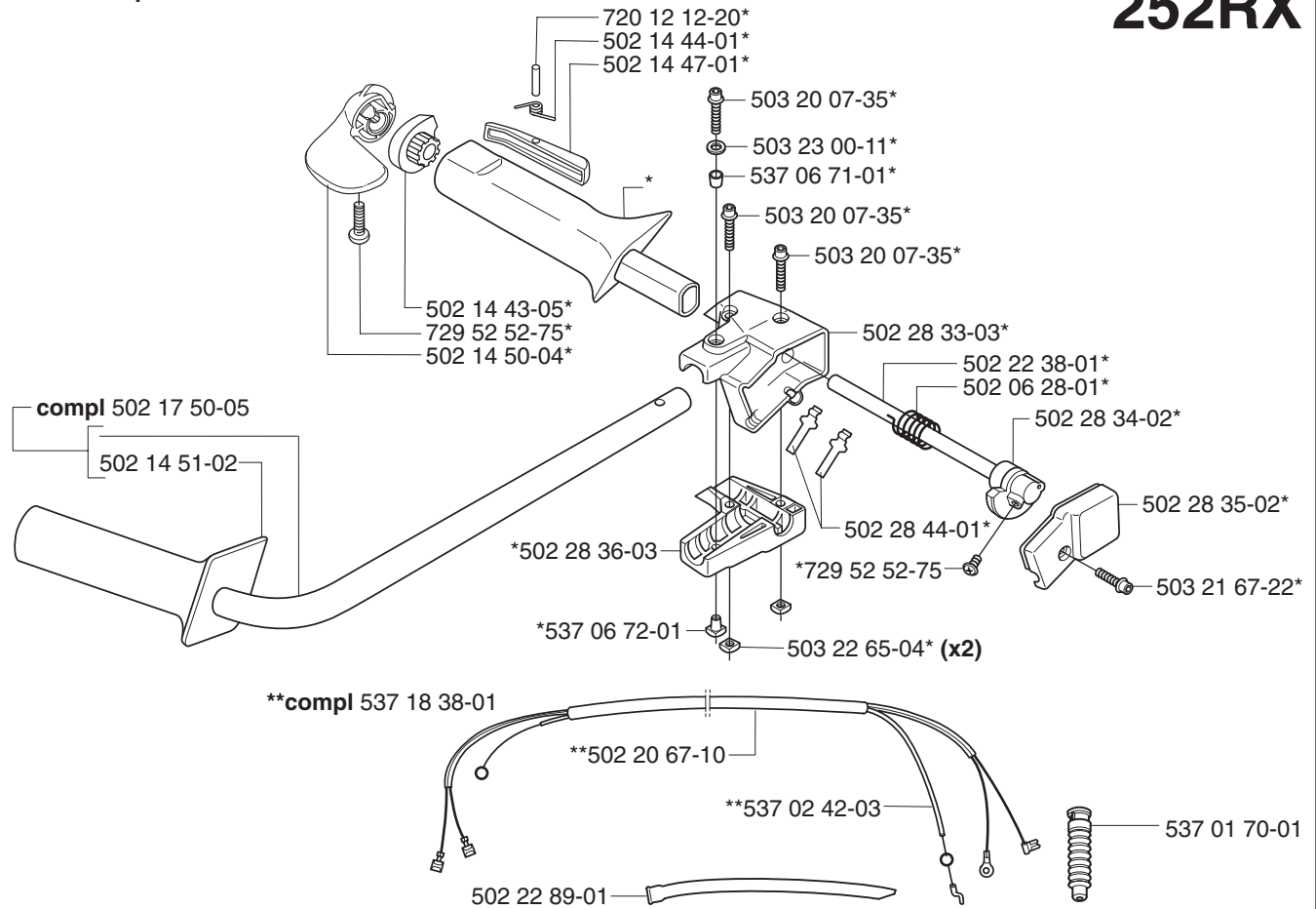
*compl 502 28 06-14

250R



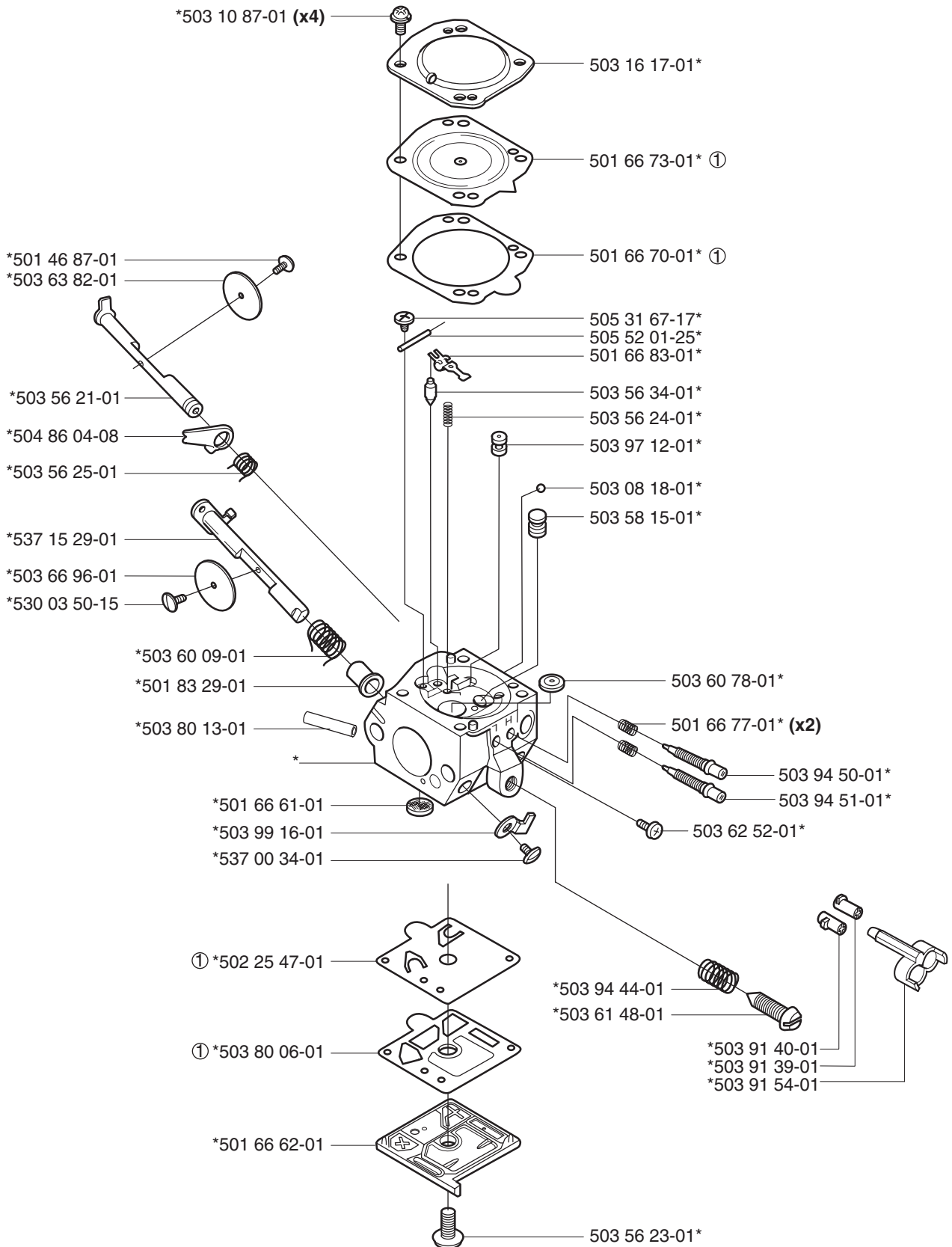
*compl 502 28 37-05

252RX



Q

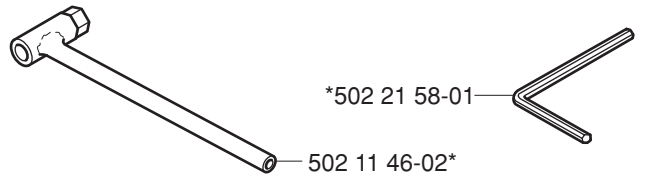
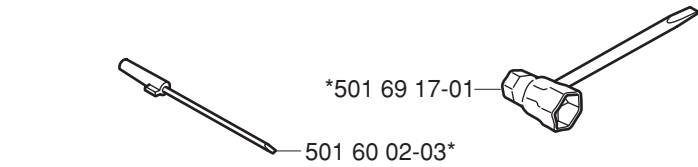
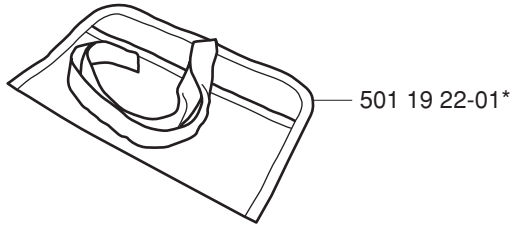
*compl 503 28 18-07 Walbro HDA 187 (EPA)

Walbro HDA-187

① 531 00 45-21
Set of gaskets
Dichtungssatz
Jeu de joints
Juego de juntas
Packningssats

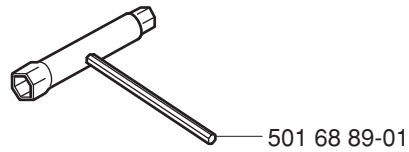
R Accessories
Zubehöre
Accessoires
Accessorios
Tillbehör

*compl 502 27 33-03



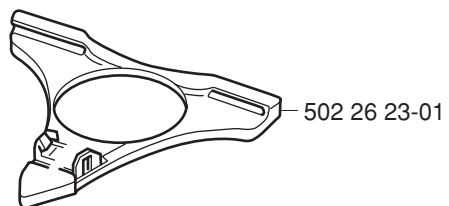
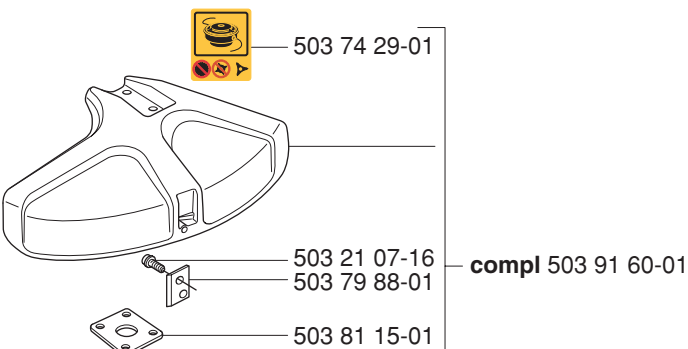
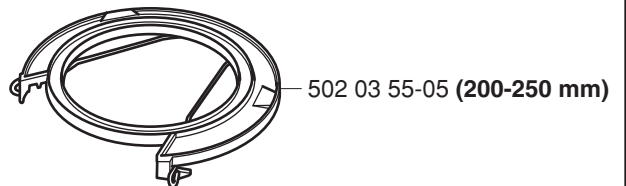
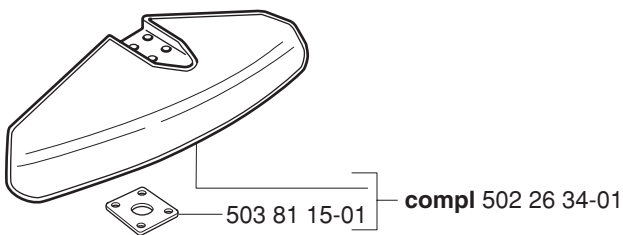
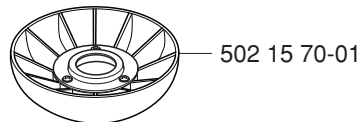
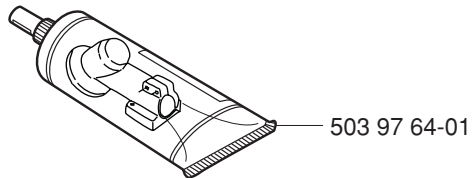
*502 21 58-01

*502 28 59-01



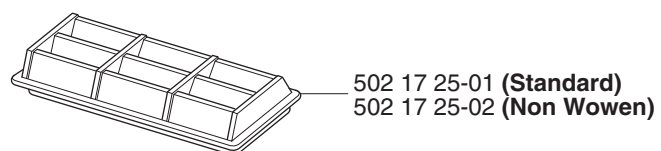
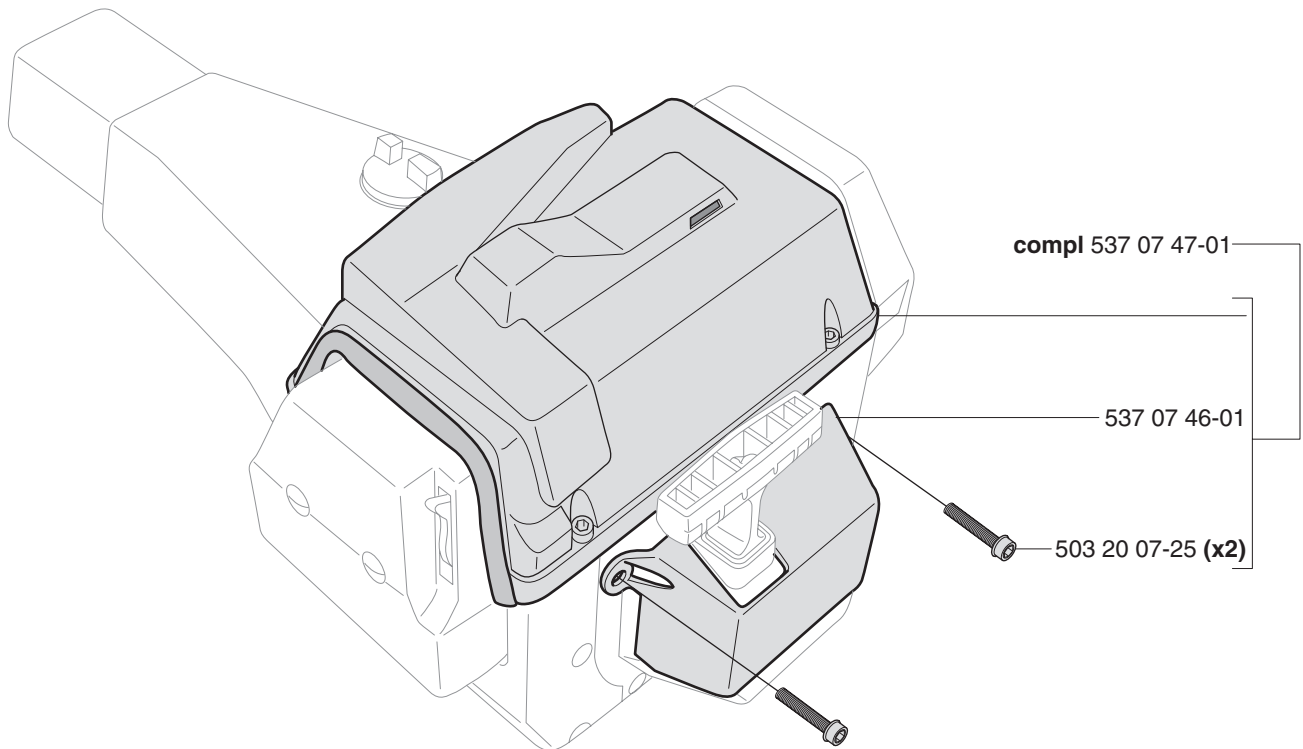
Olja Luftfilter
Oil Airfilter
Öl Luftfilter
Aceite Filtro Air
Huile Filtera aire

1,0 lit.



S Delivery as spare part only
Nur als Ersatzteil lieferbar
Livrabable seulement comme pièce de rechange
Solo como repuesto
Levereras endast som reservdel

Winter cover
compl 537 07 47-01



T

250R

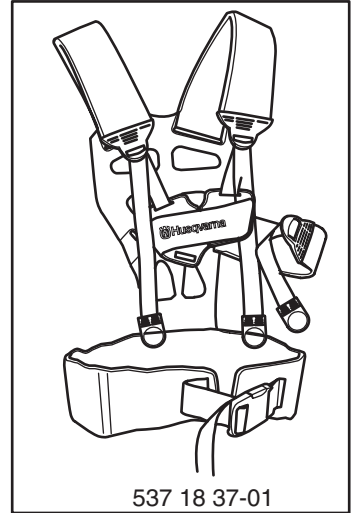
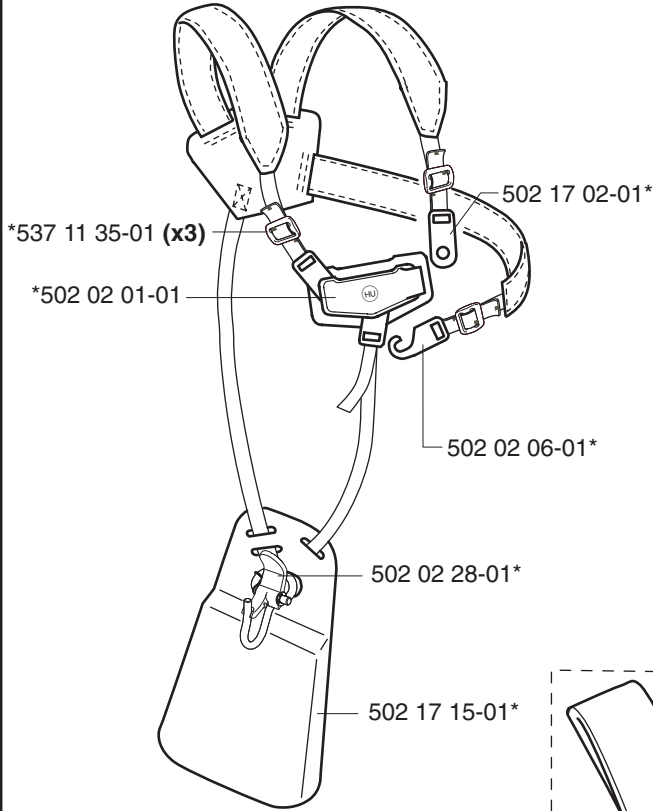
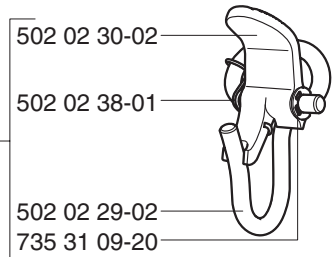
*compl 502 02 00-02

*compl 502 02 00-03 (USA)

250R

252RX

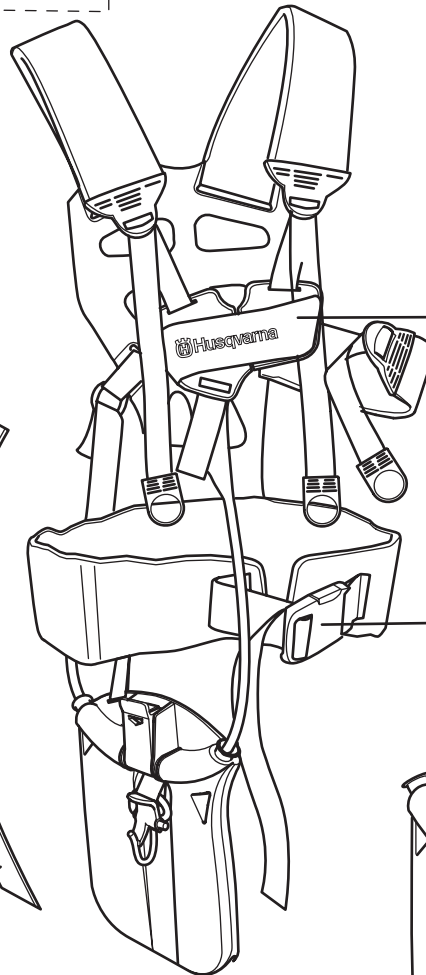
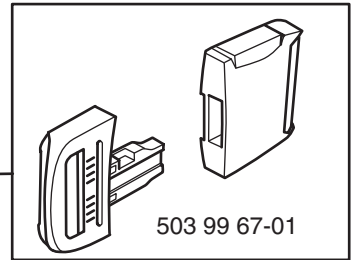
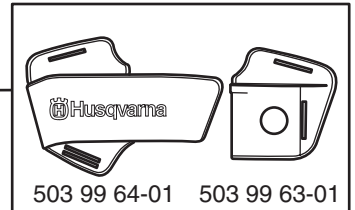
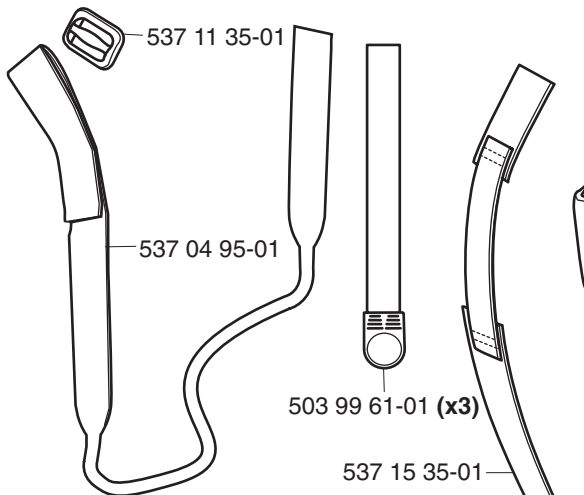
compl 502 02 28-01



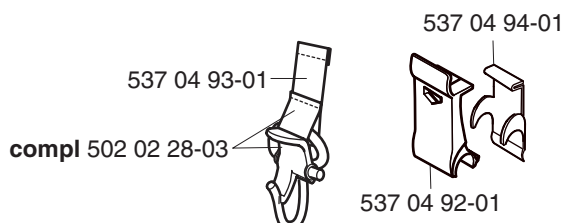
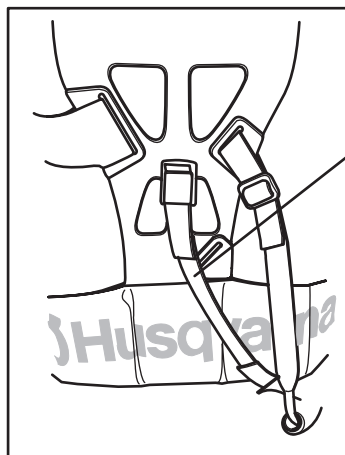
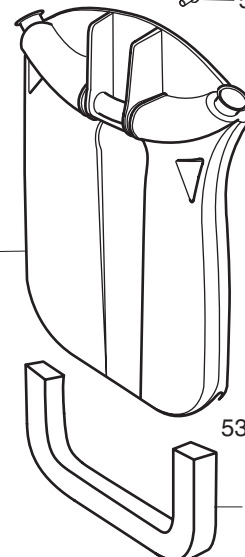
252RX

compl 531 00 92-08

compl 531 00 92-09 US



501 60 82-01



250R, 252RX, 250R (EPA), 252RX (EPA)

PART NUMBER	SQUARE NOTE	PART NUMBER	SQUARE NOTE	PART NUMBER	SQUARE NOTE	PART NUMBER	SQUARE NOTE
501 19 22-01	R	502 17 25-01	S	502 28 21-01	N	503 90 18-01	R
501 27 82-01	N	502 17 25-02	S	502 28 33-03	P	503 91 39-01	Q
501 45 16-01	EF	502 17 28-02	K	502 28 34-02	P	503 91 40-01	Q
501 46 57-01	J	502 17 33-02	G	502 28 35-02	P	503 91 54-01	Q
501 46 69-01	L	502 17 35-05	G	502 28 36-03	P	503 91 60-01	R
501 46 87-01	LQ	502 17 46-01	A	502 28 37-05	P	503 94 27-01	L
501 48 54-02	J	502 17 50-05	P	502 28 44-01	P	503 94 44-01	Q
501 48 92-01	J	502 19 71-01	N	502 28 59-01	R	503 94 50-01	Q
501 53 16-01	J	502 19 92-01	P	502 28 62-01	M	503 94 51-01	Q
501 54 15-02	J	502 19 94-01	P	502 28 63-01	M	503 97 12-01	Q
501 60 02-03	R	502 20 38-01	N	503 08 18-01	Q	503 97 64-01	R
501 60 82-01	T	502 20 67-07	P	503 10 87-01	LQ	503 97 65-01	R
501 66 61-01	LQ	502 20 67-10	P	503 16 17-01	Q	503 99 16-01	Q
501 66 62-01	LQ	502 20 68-02	N	503 17 63-01	L	503 99 59-01	T
501 66 67-01	L	502 20 85-06	P	503 20 02-20	BC	503 99 61-01	T
501 66 70-01	LQ	502 20 86-06	P	503 20 03-16	AM	503 99 63-01	T
501 66 73-01	LQ	502 21 12-01	P	503 20 07-10	K	503 99 64-01	T
501 66 77-01	LQ	502 21 26-28	D	503 20 07-16	HMNK	503 99 67-01	T
501 66 78-01	L	502 21 26-29	D	503 20 07-25	NS	504 02 72-13	L
501 66 83-01	LQ	502 21 58-01	R	503 20 07-30	M	504 12 31-02	A
501 67 67-03	E	502 22 15-01	N	503 20 07-35	NP	504 86 04-08	LQ
501 68 89-01	R	502 22 16-01	N	503 20 20-06	BC	505 27 75-16	J
501 69 17-01	R	502 22 19-01	N	503 20 25-20	J	505 30 51-25	K
501 76 83-30	N	502 22 32-01	D	503 20 28-22	D	505 31 67-17	LQ
501 83 29-01	Q	502 22 38-01	P	503 20 29-85	H	505 52 01-25	LQ
501 86 21-02	E	502 22 46-05	D	503 21 07-16	R	530 03 50-15	LQ
501 86 25-02	A	502 22 59-01	A	503 21 49-16	N	531 00 45-21	LQ
502 02 00-02	T	502 22 71-07	A	503 21 49-19	N	531 00 60-76	R
502 02 00-03	T	502 22 73-01	M	503 21 49-32	N	531 00 92-08	T
502 02 01-01	T	502 22 77-02	E	503 21 67-22	P	531 00 92-09	T
502 02 06-01	T	502 22 79-01	E	503 22 10-12	N	537 00 34-01	Q
502 02 28-01	T	502 22 83-01	K	503 22 21-02	BCJ	537 01 40-03	N
502 02 28-03	T	502 22 89-01	GP	503 22 65-04	P	537 01 40-04	N
502 02 29-02	T	502 22 94-01	G	503 23 00-05	J	537 01 70-01	AP
502 02 30-02	T	502 25 29-01	A	503 23 00-11	P	537 02 42-03	P
502 02 38-01	T	502 25 45-01	L	503 23 00-35	K	537 02 42-04	P
502 02 61-01	R	502 25 46-01	L	503 23 51-08	E	537 02 76-02	N
502 02 61-02	R	502 25 47-01	LQ	503 23 51-11	E	537 04 02-02	D
502 03 10-03	M	502 25 90-01	J	503 26 02-04	G	537 04 36-01	H
502 03 47-01	H	502 26 01-01	G	503 28 16-19	AL	537 04 82-01	BC
502 03 55-02	R	502 26 05-02	G	503 28 18-07	AQ	537 04 83-01	BC
502 03 55-05	R	502 26 23-01	R	503 28 90-10	E	537 04 92-01	T
502 03 94-03	R	502 26 31-01	BC	503 28 90-11	E	537 04 93-01	T
502 03 94-05	R	502 26 34-01	R	503 44 32-01	N	537 04 94-01	T
502 04 15-05	N	502 26 36-02	AL	503 49 69-01	A	537 04 95-01	T
502 04 55-01	M	502 26 89-01	M	503 52 01-01	L	537 05 67-01	C
502 05 08-74	F	502 26 95-01	M	503 52 97-01	N	537 06 28-01	C
502 05 24-04	A	502 26 98-01	G	503 54 39-01	K	537 06 28-02	B
502 05 42-01	J	502 27 11-02	M	503 56 21-01	LQ	537 06 31-01	BC
502 06 28-01	P	502 27 12-01	M	503 56 23-01	Q	537 06 71-01	P
502 11 46-02	R	502 27 20-01	K	503 56 24-01	LQ	537 06 72-01	P
502 11 51-04	N	502 27 22-01	R	503 56 25-01	LQ	537 07 09-01	C
502 11 59-02	M	502 27 25-01	M	503 56 34-01	LQ	537 07 46-01	S
502 11 79-06	P	502 27 26-01	M	503 57 89-01	N	537 07 47-01	S
502 14 43-05	P	502 27 28-01	M	503 58 15-01	Q	537 11 35-01	T
502 14 44-01	P	502 27 32-02	N	503 60 09-01	LQ	537 13 15-01	K
502 14 47-01	P	502 27 33-03	R	503 60 78-01	LQ	537 15 00-01	J
502 14 50-04	P	502 27 34-01	E	503 61 48-01	LQ	537 15 06-01	H
502 14 51-02	P	502 27 35-01	E	503 62 52-01	LQ	537 15 07-01	H
502 15 57-02	H	502 27 45-02	A	503 63 82-01	Q	537 15 29-01	Q
502 15 58-01	H	502 27 49-01	L	503 66 96-01	Q	537 15 35-01	T
502 15 70-01	R	502 27 63-01	N	503 71 82-01	P	537 15 51-01	BC
502 17 02-01	T	502 27 64-01	N	503 73 45-01	N	537 17 12-01	T
502 17 15-01	T	502 27 81-01	N	503 74 29-01	R	537 17 13-01	B
502 17 16-02	A	502 28 03-01	N	503 79 41-01	P	537 17 21-01	B
502 17 17-01	A	502 28 04-01	G	503 79 88-01	R	537 17 53-01	T
502 17 19-03	A	502 28 06-14	P	503 80 06-01	LQ	537 17 54-01	T
502 17 20-04	K	502 28 08-01	A	503 80 13-01	LQ	537 18 37-01	T
502 17 21-01	K	502 28 13-01	N	503 81 15-01	R	537 18 38-01	P
502 17 22-09	K	502 28 19-01	K	503 82 80-05	N	537 18 38-02	P

N = New part
 Neues teil
 Nouvelle piece
 Nueva pieza
 Ny detalj

EPA = Environmental Protection Agency
 (for USA only)

250R, 252RX, 250R (EPA), 252RX (EPA)

PART NUMBER	SQUARE NOTE	PART NUMBER	SQUARE NOTE	PART NUMBER	SQUARE NOTE	PART NUMBER	SQUARE NOTE
720 12 12-20	P						
720 13 07-10	G						
724 12 87-59	H		N				
725 23 82-88	N		N				
725 52 89-55	G						
725 53 32-55	E						
725 53 33-55	BC						
725 53 35-57	G		N				
725 53 43-57	G		N				
729 52 52-75	KP						
735 11 46-50	G						
735 11 64-50	BCJ						
735 31 09-20	T						
735 31 17-00	M						
735 31 33-10	BC						
737 44 10-00	E						
738 21 01-00	M						
738 21 02-10	M		N				
738 22 02-19	BCM						
738 22 02-25	F						
740 42 22-00	G						
740 44 08-00	M						
740 51 13-01	M						

N = New part
 Neues teil
 Nouvelle piece
 Nueva pieza
 Ny detalj

EPA = Environmental Protection Agency
 (for USA only)