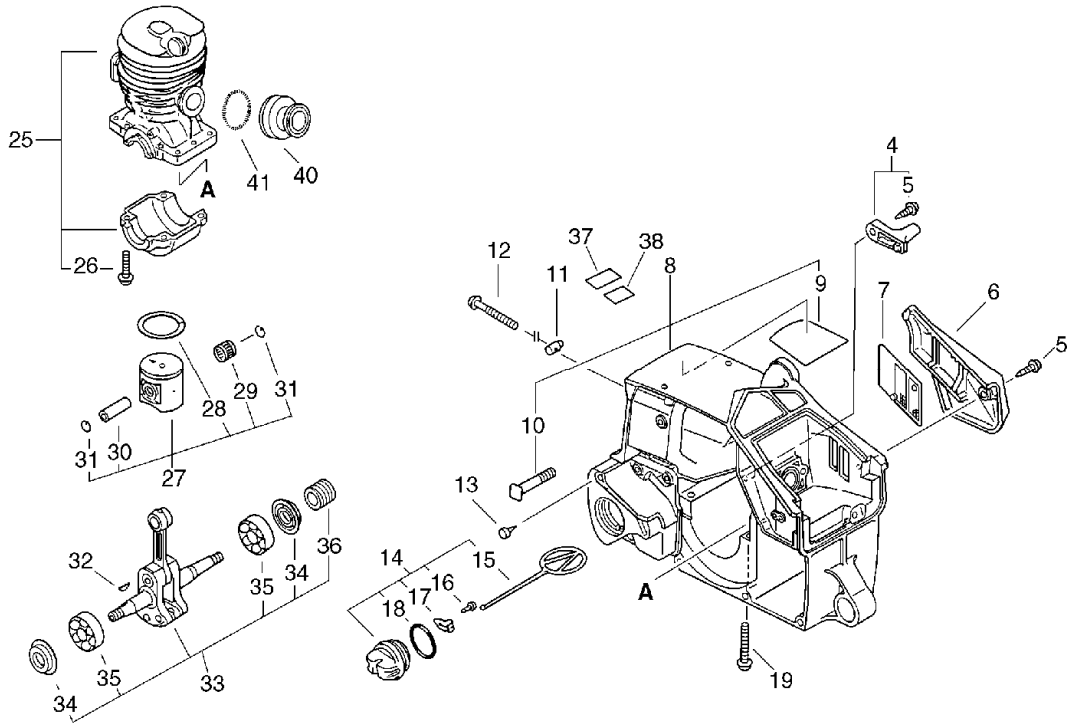


PARTLIST ECHO CS-3600



CS-3600,3900, -1--1, Cylinder, Crankcase, Piston
 CS-3600,3900, 2008/11/28

Key	Lv	Part no.	Part description	Quantity	Note1	Note2
4		433000-35430	CATCHER KIT, CHAIN	1		
5	+	900252-05020	SCREW 5*20	1		
5		900252-05020	SCREW 5*20	1		
6		104012-35430	COVER, DUST (BS)	1		
7		104016-35430	PLATE, DUST	1		
8		104008-37330	COVER, ENGINE	1		
9	+	101520-35430	COVER	1		
10	+	433011-19830	STUD, GUIDE BAR	2		
11		433014-03931	TENSIONER	1		
12		433016-35430	SCREW, TENSIONER	1		
13		436114-13930	VALVE, CHECK	1		
14		436001-19832	CAP ASSY, OIL TANK	1	Sus. by P021-009130	
14		436001-19833	CAP ASSY, OIL TANK	1	Sus. by P021-009130	
14		P021-009130	OIL CAP ASY	1		
15	+	131051-19830	LINK	1	Sus. by A365-000050	
15	+	A365-000050	CONNECTOR,CAP	1		
16	+	900246-03008	SCREW 3*8	1		
17	+	131050-19830	RETAINER, LINK	1		
18	+	900725-02025	O-RING	1		
19		900162-05030	BOLT, H.S. 5*30	4		
25		100202-35431	CRANKCASE SET	1	CS-3600	
26	+	900162-05025	BOLT, H.S. 5*25	4	CS-3600	
27		100000-35430	PISTON KIT	1	Sus. by 100000-35431	
27		100000-35431	PISTON KIT	1	CS-3600	
28	+	100011-13330	RING, PISTON	1	CS-3600	
29	+	100012-35430	BEARING, NEEDLE	1	CS-3600	
30	+	100013-35430	PIN, PISTON	1	CS-3600	
31	+	100015-03930	CIRCLIP, PISTON PIN	2	Sus. by 100015-03931	
31	+	100015-03931	CIRCLIP, PISTON PIN	2	CS-3600	
40		130510-35430	BELLOWS, INTAKE	1	CS-3600	
25		100202-37331	CRANKCASE SET	1	CS-3900	
26	+	900162-05025	BOLT, H.S. 5*25	4	CS-3900	
27		100000-37330	PISTON KIT	1	Sus. by 100000-37331	
27		100000-37331	PISTON KIT	1	CS-3900	
28	+	100011-37330	RING, PISTON	1	CS-3900	
29	+	100012-35430	BEARING, NEEDLE	1	CS-3900	

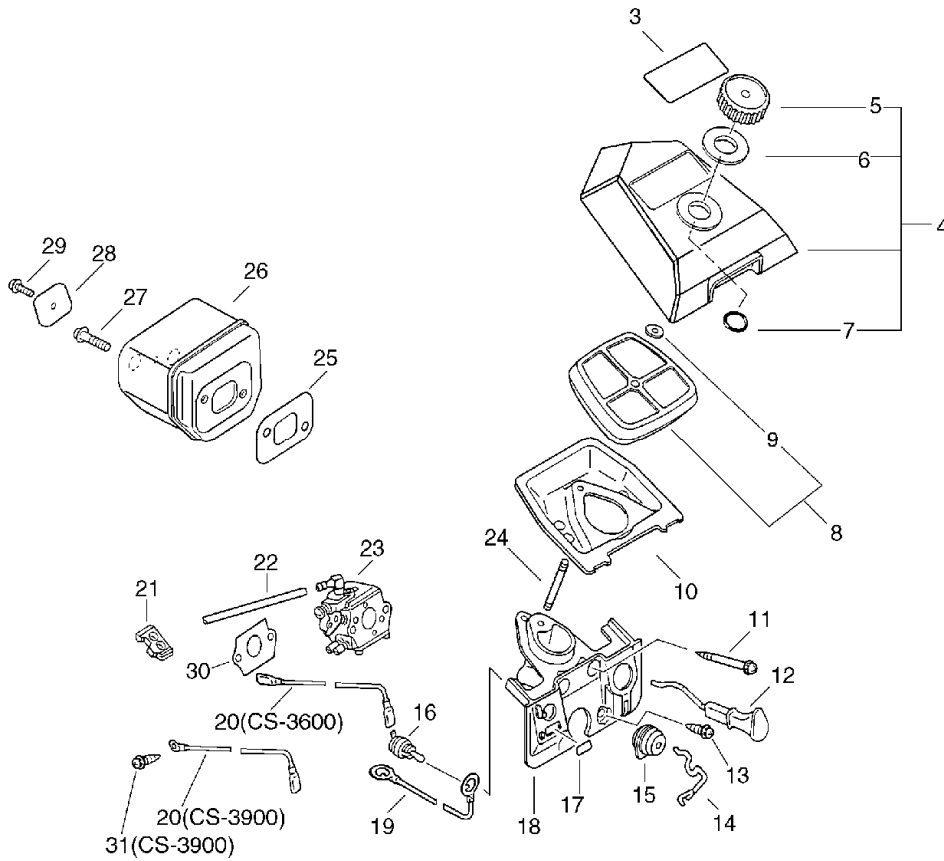
CS-3600,3900, -1--1, Cylinder, Crankcase, Piston
 CS-3600,3900, 2008/11/28

Key	Lv	Part no.	Part description	Quantity	Note1	Note2
30	+	100013-35430	PIN, PISTON	1	CS-3900	
					Sus. by 100015-03	

31	+	100015-03930	CIRCLIP, PISTON PIN	2	931	
31	+	100015-03931	CIRCLIP, PISTON PIN	2	CS-3900	
40		130510-37330	ADAPTER, INTAKE	1	CS-3900	
32		100142-42030	KEY, WOODRUFF	1	Sus. by 100142-39130	
32		100142-39130	KEY, WOODRUFF	1		
33		100101-35430	CRANKSHAFT ASSY	1		
34	+	100213-38330	OILSEAL	2		
35	+	900810-36201	BEARING, BALL 6201	2	Sus. by 94035-36201	
35	+	94035-36201	BEARING BALL	2		
36	+	437063-35430	WORM	1		
37		890345-39230	LABEL, CAUTION	1		
38		890316-39130	LABEL, CAUTION	1		
41		130516-35430	SPRING, TENSION	1		
*		104008-37330	COVER, ENGINE	1	KEY NO.1-8	
	+	101520-35430	COVER	1	KEY NO.1-9	
	+	433011-19830	STUD, GUIDE BAR	2	KEY NO.1-10	
	+	436114-13930	VALVE, CHECK	1	KEY NO.1-13	
	+	150640-37330	BOLT	2	KEY NO.3-31	
	+	156635-37330	PLATE, GROUND	1	KEY NO.3-32	
	+	132115-12330	GROMMET	1	KEY NO.5-20	

CS-3600,3900, -1--1, Air Cleaner, Muffler
 CS-3600,3900, 2008/11/28

No.2

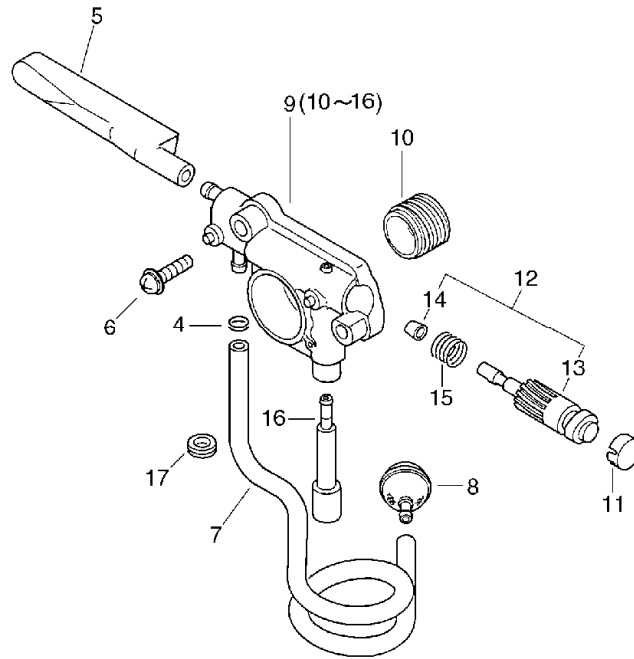


CS-3600,3900, -1--1, Air Cleaner, Muffler
 CS-3600,3900, 2008/11/28

Key	Lv	Part no.	Part description	Quantity	Note1	Note2
3		890370-35430	LABEL, MODEL	1	CS-3600	
3		890370-38330	LABEL, MODEL	1	CS-3900	
4		130302-35430	COVER ASSY, AIR CLN.	1		
5	+	130406-33331	KNOB, CLEANER LID	1		
6	+	130414-37330	GASKET, CIRCULAR	1		
7	+	900720-00011	O-RING P-11	1		
8		130305-35430	FILTER, AIR	1		
9	+	130414-35430	GASKET, CIRCULAR	1		
10		130320-35430	SEAL (BL)	1		
11		900252-05055	SCREW 5*55	2		
12		178510-35430	ROD, CHOKE	1		
13		900252-05020	SCREW 5*20	1		
14		178011-35430	ROD, THROTTLE	1		
15		178114-35430	GROMMET	1		
16		163400-35430	SWITCH, IGNITION	1		
17		890157-39130	LABEL, SWITCH	1		
18		130405-35430	BRACKET, AIR CLEANER	1		
19		156621-35430	LEAD	1		
20		156630-35430	LEAD	1	CS-3600	
20		156630-37330	LEAD	1	CS-3900	
21		132115-35430	GROMMET	1		
22		437211-16431	PIPE	1		
23		123000-35430	CARBURETOR ASSY	1	CS-3600	
23		123000-37332	CARBURETOR ASSY	1	CS-3900	
24		130325-32330	BOLT, AIR CLEANER	1		
25		145510-35431	GASKET, MUFFLER	1		
26		145810-35430	MUFFLER (BL)	1		
27		900162-05020	BOLT, H.S. 5*20	2	CS-3600	
27		900162-05018	BOLT, H.S. 5*18	2	CS-3900	
28		145711-35430	PLATE (BL)	1	Sus. by 145711-60631	
28		145711-60631	STAY, MUFFLER	1		
29		900238-04008	SCREW 4*8	1		
30		130010-35430	GASKET, CARBURETOR	1		
31		900242-04008	SCREW	1	CS-3900	

CS-3600,3900, -1--1, Auto-Oiler
CS-3600,3900, 2008/11/28

No.4

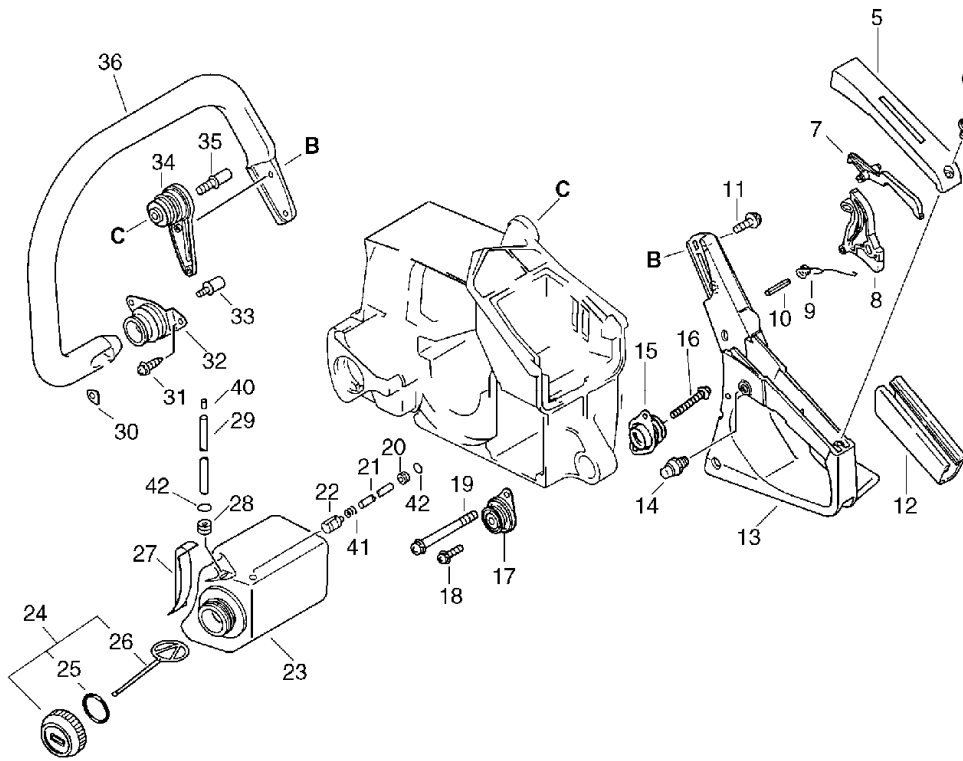


CS-3600,3900, -1--1, Auto-Oiler
 CS-3600,3900, 2008/11/28

Key	Lv	Part no.	Part description	Quantity	Note1	Note2
4		437411-19830	CLIP, OIL PIPE	1		
5		437211-35430	PIPE, OIL	1		
6		900162-04016	BOLT, H.S. 4*16	2		
7		437210-35430	PIPE	1		
8		436205-14730	STRAINER, OIL	1		
9		437000-35432	AUTO-OILER ASSY	1		
10	+	437063-35430	WORM	1		
11	+	437062-35431	PLUG	1		
12	+	437006-35430	PLUNGER KIT	1		
13	++	437803-35430	PLUNGER W/VRING	1		
14	++	437020-35430	V-RING	1		
15	+	437019-35430	SPRING, OILER	1		
16	+	437009-35430	PIN, CONTROL	1		
17		132115-12330	GROMMET	1		

CS-3600,3900, -1--1, Handle
CS-3600,3900, 2008/11/28

No.5



CS-3600,3900, -1--1, Handle
 CS-3600,3900, 2008/11/28

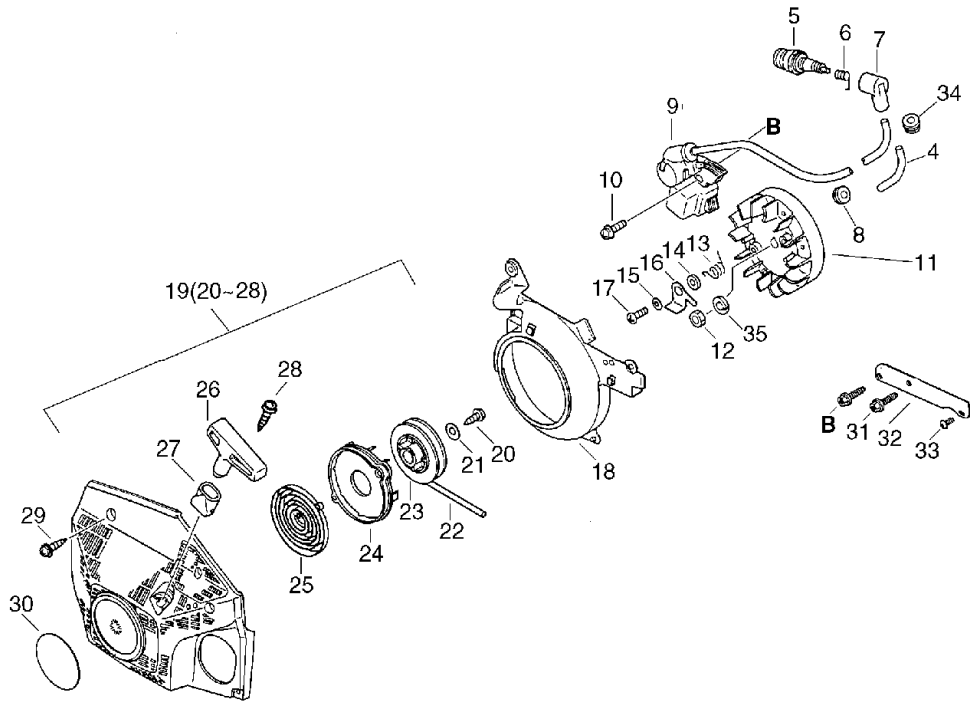
Key	Lv	Part no.	Part description	Quantity	Note1	Note2
5		351155-35430	COVER, HANDLE (BL)	1		
6		900252-04014	SCREW 4*14	1		
7		178090-30130	LOCKOUT, T. CONTROL	1		
8		178005-35431	CONTROL, THROTTLE	1		
9		178043-35430	SPRING, THR.RETURN	1		
10		900345-40030	PIN, SPRING 4*30SUS	1		
11		900242-05022	SCREW 5*22	2		
12		351111-19830	GRIP, HANDLE	1		
13		351110-36030	HANDLE, REAR	1		
14		178302-12330	LATCH, THROTTLE	1		
15		100905-35430	CUSHION	1		
16		900162-05030	BOLT, H.S. 5*30	1		
17		100905-36030	CUSHION	1		
18		900162-05012	BOLT, H.S. 5*12	1		
19		900242-04028	SCREW 4*28	2		
20		132115-12330	GROMMET	1		
21		132010-35430	PIPE 3*6*230	1		
22		131205-30830	STRAINER, FUEL	1	Sus. by 131205-19830	
22		131205-19830	STRAINER, FUEL	1		
23		131010-37331	TANK, FUEL	1		
24		131004-35430	CAP ASSY, FUEL TANK	1	Sus. by P021-009140	
24		131004-35431	CAP ASSY, FUEL TANK	1	Sus. by P021-009140	
24		P021-009140	FUEL CAP ASY	1		
25	+	900720-00022	O-RING 22	1		
26	+	131051-19830	LINK	1	Sus. by A365-000050	
26	+	A365-000050	CONNECTOR,CAP	1		
27		131910-35430	BRACKET, FUEL TANK	1		
28		131329-35431	GROMMET, PULSE	1		
29		131312-35431	PIPE, VENT	1		
30		351611-35430	NUT 5MM	1		
31		900252-05020	SCREW 5*20	1		
32		100910-35430	CUSHION,FRONT HANDLE	1		
33		100915-35430	SCREW	1		
34		100921-35430	CUSHION,FRONT HANDLE	1		
35		100915-33930	SCREW	1		
36		351610-35430	HANDLE, FRONT	1		

CS-3600,3900, -1--1, Handle
CS-3600,3900, 2008/11/28

Key	Lv	Part no.	Part description	Quantity	Note1	Note2
40		131314-35430	VALVE, CHECK	1		
41		132013-26630	CLIP	1		
42		900720-00006	O-RING 6	2		

CS-3600,3900, -1--1, Starter, Magneto
CS-3600,3900, 2008/11/28

No.3

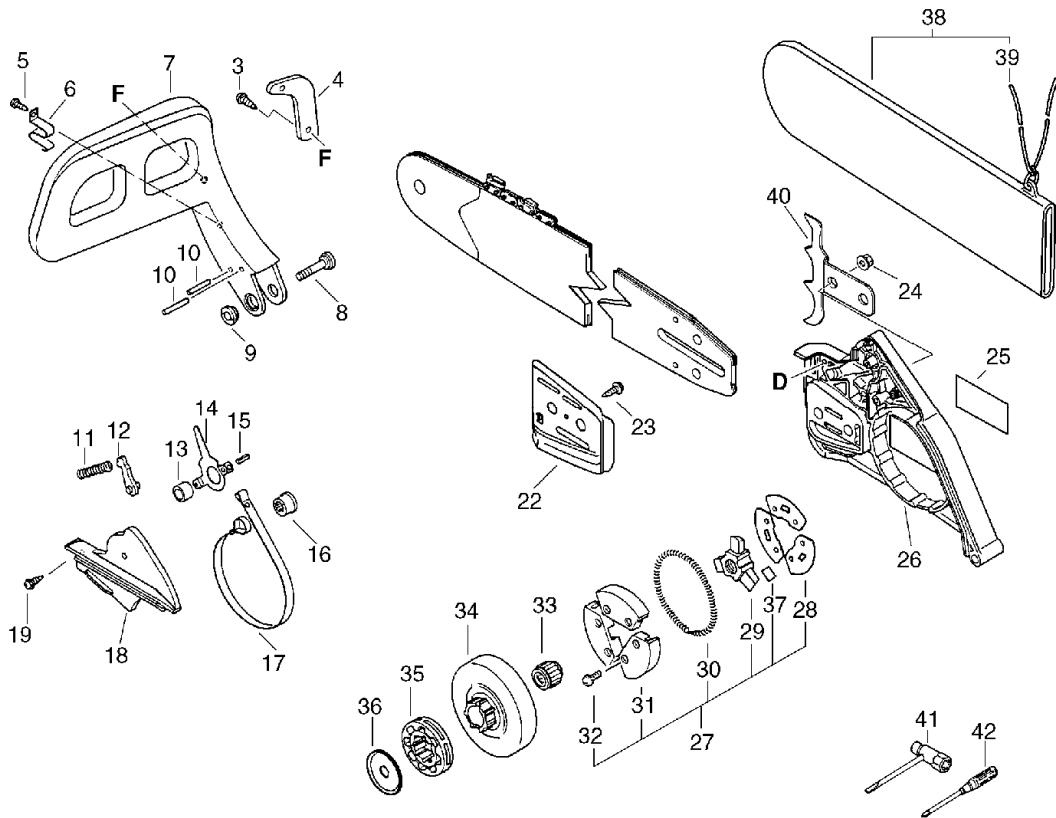


CS-3600,3900, -1--1, Starter, Magneto
 CS-3600,3900, 2008/11/28

Key	Lv	Part no.	Part description	Quantity	Note1	Note2
4		156613-13930	TUBE	1		
5		159017-10230	PLUG, SPARK (RCJ-7Y)	1		
6		159011-03432	COIL, SPARK PLUG	1		
7		159012-01620	CAP, SPARK PLUG	1		
8		132115-01461	GROMMET	1		
9		156601-35430	C.D IGNITION MODULE	1	CS-3600	
9		156601-37330	C.D. IGNITION MODULE	1	CS-3900	
10		900162-04012	BOLT, H.S. 4*12	2		
11		156800-35430	ROTOR, MAGNETO	1	CS-3600	
11		156800-37330	ROTOR, MAGNETO	1	CS-3900	
12		900500-00008	NUT 8	1		
13		177234-35430	SPRING, RETURN	2		
14		900603-00005	WASHER 5	2		
15		177247-04630	SPACER, RATCHET	2		
16		177218-35430	PAWL, STARTER	2		
17		900162-05014	BOLT, H.S. 5*14	2		
18		101535-37330	COVER, FAN	1		
19		177200-35434	STARTER,ASSY	1		
20	+	900242-05012	SCREW 5*12	1		
21	+	177214-02830	WASHER	1		
22	+	177226-11130	ROPE, STARTER	1		
23	+	177215-35430	DRUM, STARTER	1		
24	+	177221-35430	PLATE, STARTER	1		
25	+	177220-35430	SPRING, REWIND	1		
26	+	177228-35430	GRIP, STARTER (BL)	1		
27	+	177227-37930	GUIDE, ROPE	1		
28	+	900296-03014	SCREW 3*14	1		
29		900252-05020	SCREW 5*20	4		
30		890118-35430	LABEL, ECHO	1	Sus. by 890118-49330	
30		890118-49330	LABEL, ECHO	1		
31		150640-37330	BOLT	2		
32		156635-37330	PLATE, GROUND	1		
33		900220-04008	SCREW 4*8	1		
34		150110-35430	BUSHING	1		
35		900605-00008	WASHER, SPRING 8	1		

CS-3600,3900, -1--1, Clutch, Sprocket, Tools
CS-3600,3900, 2008/11/28

No.6



CS-3600,3900, -1--1, Clutch, Sprocket, Tools
 CS-3600,3900, 2008/11/28

Key	Lv	Part no.	Part description	Quantity	Note1	Note2
3		900267-04014	SCREW 4*14	2		
4		433171-35430	WEIGHT, BRAKE	1		
5		900252-04010	SCREW 4*10	1		
6		433114-35430	SPRING, RETURN	1		
7		433111-35430	LEVER, BRAKE	1		
8		433113-30130	SCREW	1		
9		433137-30130	NUT	1		
10		900330-30240	PIN 3*24	2		
11		433122-35430	SPRING, BRAKE	1		
12		433209-35430	STOPPER, BRAKE	1		
13		433116-35430	SPACER 8	1		
14		433208-35431	LEVER, BRAKE	1		
15	+	900330-40088	ROLLER 4*8.8	1		
16		433142-35430	ADJUSTER, BRAKE	1		
17		433123-35430	BAND, BRAKE	1	Sus. by C328-000 060	
17		C328-000060	BAND, BRAKE	1		
18		433310-35430	COVER, BRAKE (BS)	1		
19		900252-04010	SCREW 4*10	2		
22		433013-35431	PLATE, GUIDE (INNER)	1		
23		900246-04008	SCREW 4*8	1		
24		433019-12330	NUT, FLANGE 8	2		
25		890118-38130	LABEL, ECHO	1		
26		433005-35430	GUARD, SPROCKET (BS)	1		
27		175000-35431	CLUTCH ASSY	1		
28	+	175019-19830	PLATE, CLUTCH	3		
29	+	175016-35430	HUB, CLUTCH	1		
30	+	175018-19830	SPRING, CLUTCH	1		
31	+	175002-19830	SHOE, CLUTCH	1		
32	+	900105-04006	BOLT, H.S. 4*6	6		
37	+	175062-35430	SPACER	3		
33		175012-14630	BEARING, NEEDLE	1		
34		175105-35430	DRUM, CLUTCH	1		
35		175114-12530	SPROCKET, RIM .325	1		
36		175015-35430	WASHER, CLUTCH	1		
38		898513-38330	SCABBARD, GUIDE BAR	1		
39	+	898568-14530	ROPE	1		

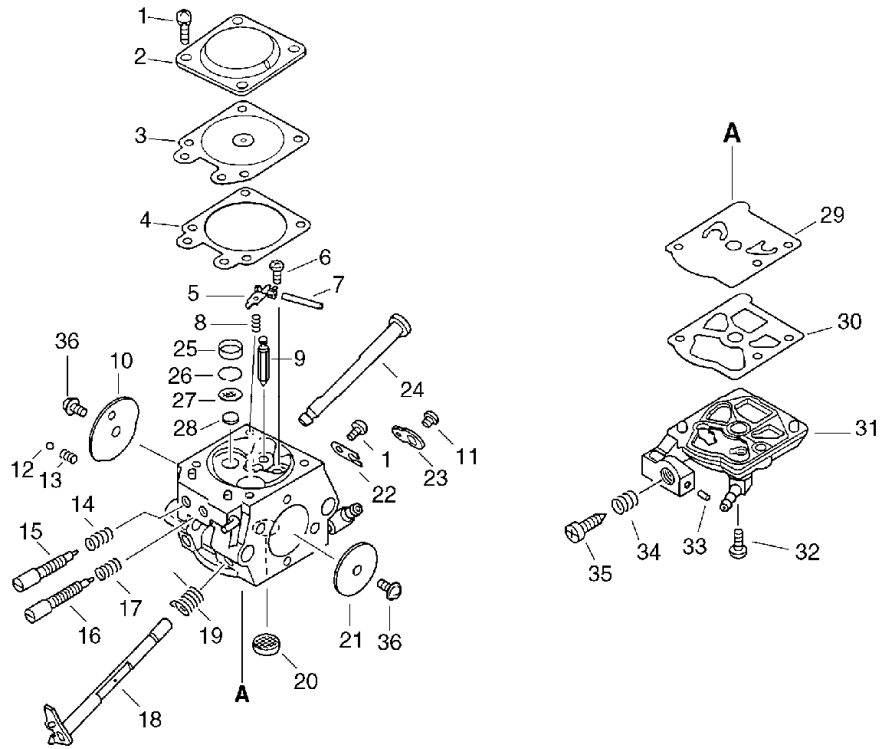
CS-3600,3900, -1--1, Clutch, Sprocket, Tools
 CS-3600,3900, 2008/11/28

Key	Lv	Part no.	Part description	Quantity	Note1	Note2
40		880210-36030	BUMPER, SPIKED	1	Sus. by C304-000 020	
40		880210-36031	BUMPER, SPIKED	1	Sus. by C304-000 020	
40		C304-000020	SPIKED	1		
41		895410-02830	WRENCH, W/S. DRIVER	1		

42	895812-03930	DRIVER, SCREW 50	1	
----	--------------	------------------	---	--

CS-3600,3900, -1--1, Carburetor
CS-3600,3900, 2008/11/28

No.7



CS-3600,3900, -1--1, Carburetor
 CS-3600,3900, 2008/11/28

Key	Lv	Part no.	Part description	Quantity	Note1	Note2
		123000-35430	CARBURETOR ASSY	1	CS-3600	
		123000-37332	CARBURETOR ASSY	1	CS-3900	
1	+	123130-02960	SCREW	5		
2	+	123142-03930	COVER, M. DIAPHRAGM	1		
3	+	123141-03930	DIAPHRAGM, METERING	1		
4	+	123140-03930	GASKET, M. DIAPHRAGM	1		
5	+	123123-03930	LEVER, METERING	1		
6	+	123139-03930	SCREW, M. LEVER PIN	1		
7	+	123138-03930	PIN, METERING LEVER	1		
8	+	123122-06530	SPRING, METER. LEVER	1	CS-3600	
8	+	123122-11130	SPRING, METER. LEVER	1	CS-3900	
9	+	123137-04260	VALVE, INLET NEEDLE	1	CS-3600	
9	+	123137-19830	VALVE, INLET NEEDLE	1	CS-3900	
10	+	123132-35430	VALVE, CHOKE	1	CS-3600	
10	+	123132-37330	VALVE, CHOKE	1	CS-3900	
11	+	123114-03930	SCREW	1	Sus. by 123114-38830	
11	+	123114-38830	SCREW	1		
12	+	123136-10630	BALL, CHOKE FRICTION	1		
13	+	123135-10630	SPRING, CHOKE FRICT.	1		
14	+	123119-22130	SPRING, NEEDLE	1		
15	+	123120-35430	NEEDLE, HIGH SPEED	1	CS-3600	
15	+	123120-37330	NEEDLE, HIGH SPEED	1	CS-3900	
16	+	123118-35430	NEEDLE, IDLE	1	CS-3600	
16	+	123118-37330	NEEDLE, IDLE	1	CS-3900	
17	+	123121-22130	SPRING, NEEDLE	1		
18	+	123117-35430	SHAFT, THROTTLE	1		
19	+	123113-37530	SPRING, THROTTLE RTN	1		
20	+	123126-10631	SCREEN, INLET	1		
21	+	123116-10130	VALVE, THROTTLE	1	CS-3600	
21	+	123116-10530	VALVE, THROTTLE	1	CS-3900	
22	+	123127-03930	CLIP, THROTTLE SHAFT	1		
23	+	123150-35430	LEVER, THROTTLE	1		
24	+	123131-35430	SHAFT, CHOKE	1		
25	+	123146-17330	PLUG, CUP	1	CS-3900	
26	+	123169-10630	RING, RETAINING	1	CS-3900	
27	+	123168-10631	SCREEN	1	CS-3900	

CS-3600,3900, -1--1, Carburetor
 CS-3600,3900, 2008/11/28

Key	Lv	Part no.	Part description	Quantity	Note1	Note2
28	+	123146-10631	PLUG, WELCH	1	CS-3900	
29	+	123112-15030	DIAPHRAGM, FUEL PUMP	1		
30	+	123125-15030	GASKET, FUEL PUMP	1		
31	+	123124-35430	COVER, FUEL PUMP	1		
32	+	123110-03930	SCREW, PUMP COVER	1		
33	+	123178-15030	PLUG, FRICTION	1		

34	+	123133-04260	SPRING, IDLE ADJUST	1		
35	+	123134-04260	SCREW, IDLE ADJUST	1		
36	+	123114-38830	SCREW	2		