



PARTS CATALOG

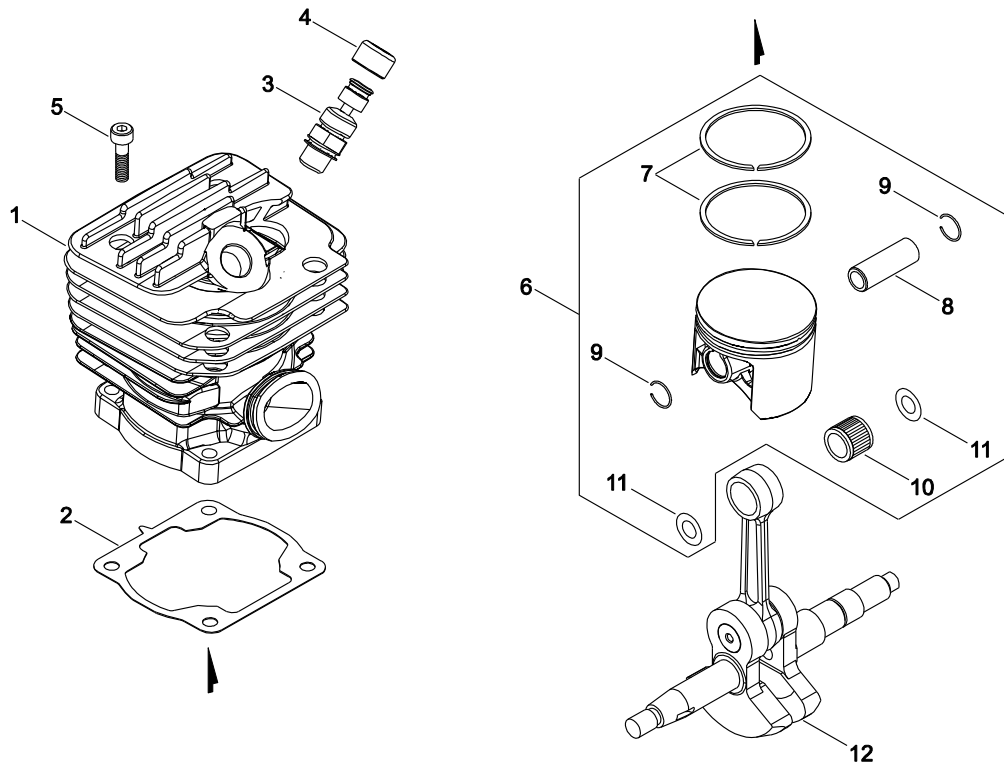
CHAIN SAW CS-501SX(37)40RV

37000001 -



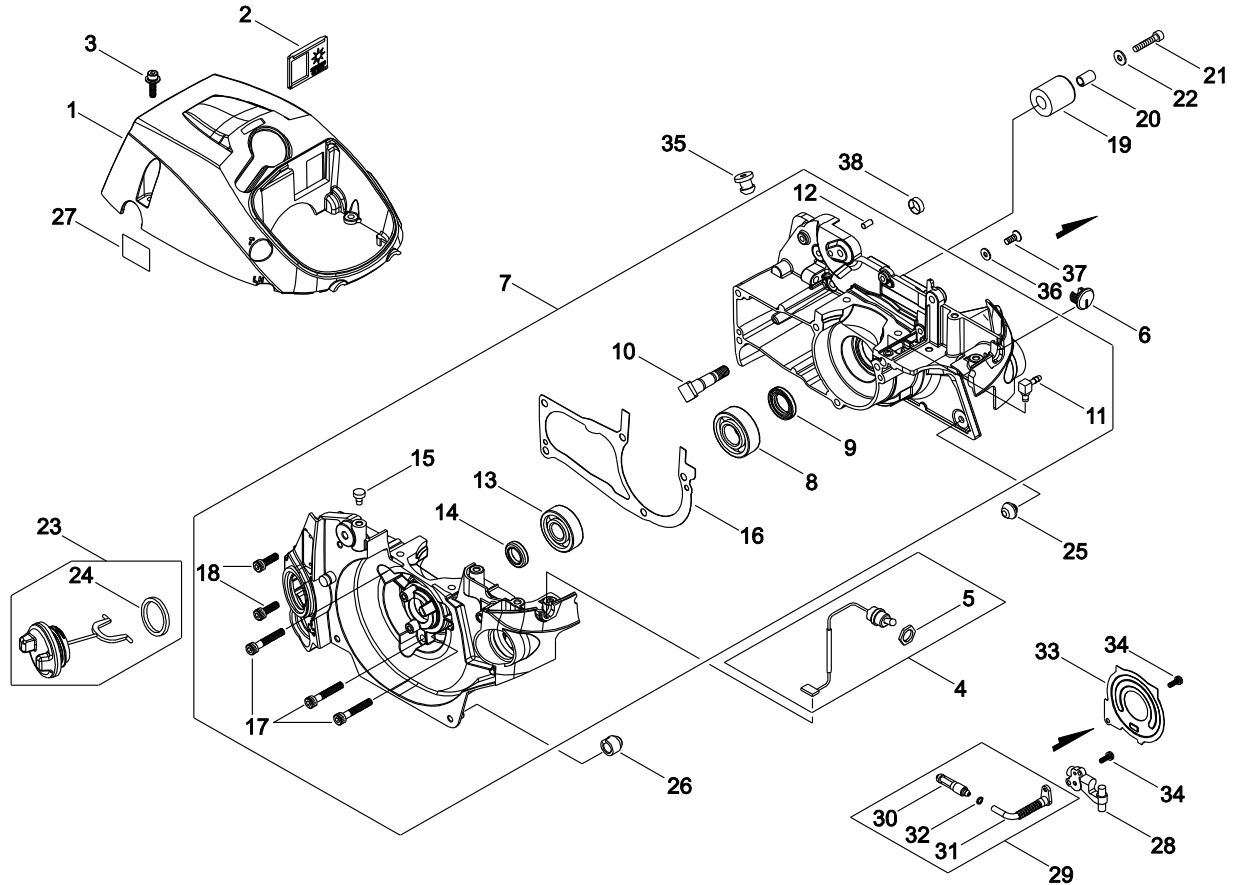
P014-004870-15E

1. CYLINDER, PISTON, CRANKSHAFT



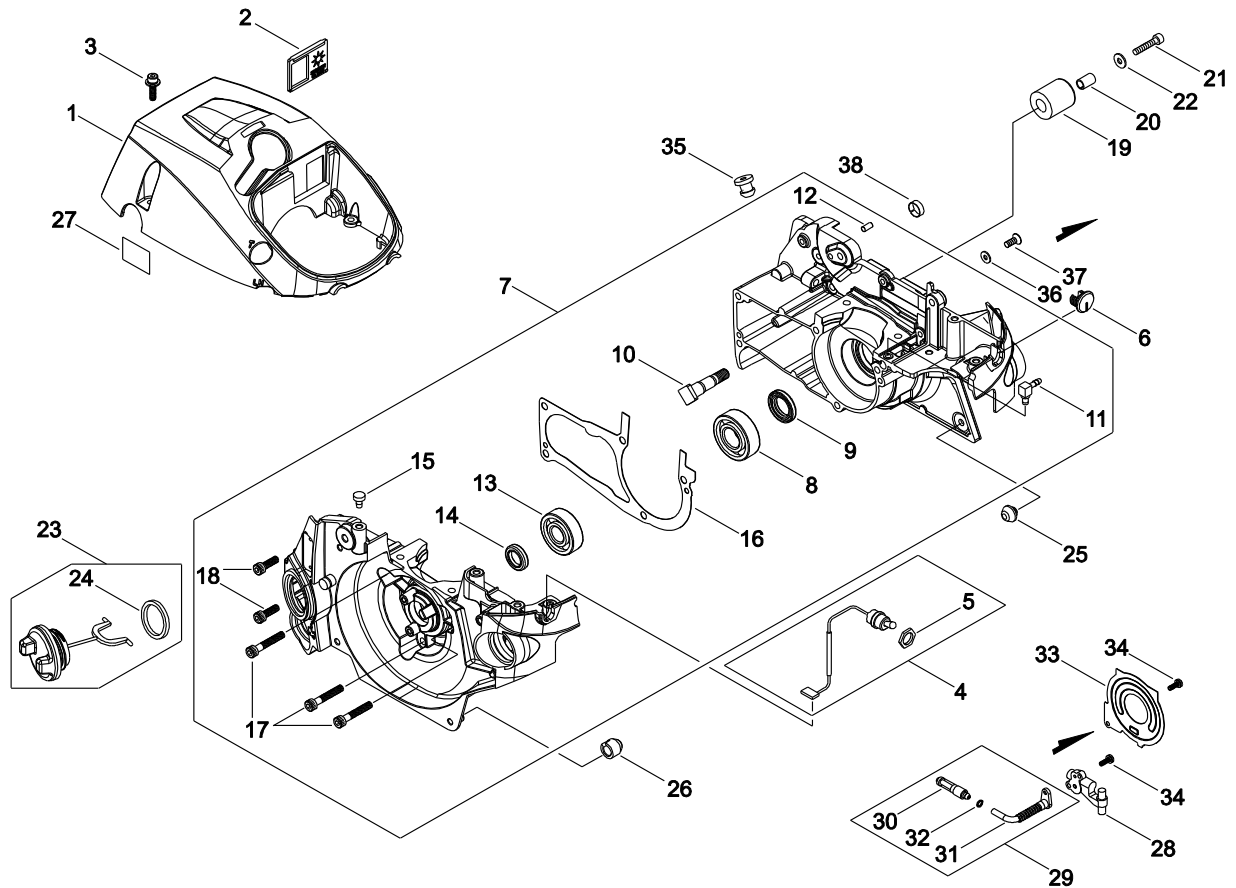
KEY	LV	PART NUMBER	Q'TY	DESCRIPTION	REMARKS	NOTE1	NOTE2
1		A130-002280	1	CYLINDER			
2		V100-000620	1	GASKET,CYL			
3		A014-000110	1	RELEASE ASY., COMP.			
4		V141-000090	1	GROMMET,PLUG			
5		V203-001320	4	BOLT ADHESIVE			
6		P021-048650	1	PISTON KIT			
7	+	A101-000690	2	RING, PISTON	44*1.2*1.8		
8	+	V609-000070	1	PIN,ENG 11	11*35.8 HL		
9	+	V580-000030	2	RING,END	D 1.0		
10	+	V556-000040	1	BEARING,NEEDLE 11			
11	+	V308-000040	2	WASHER,CIRCULAR 11	11.2*19.5*0.5		
12		A011-001420	1	CRANKSHAFT,ASY			

2. CRANKCASE



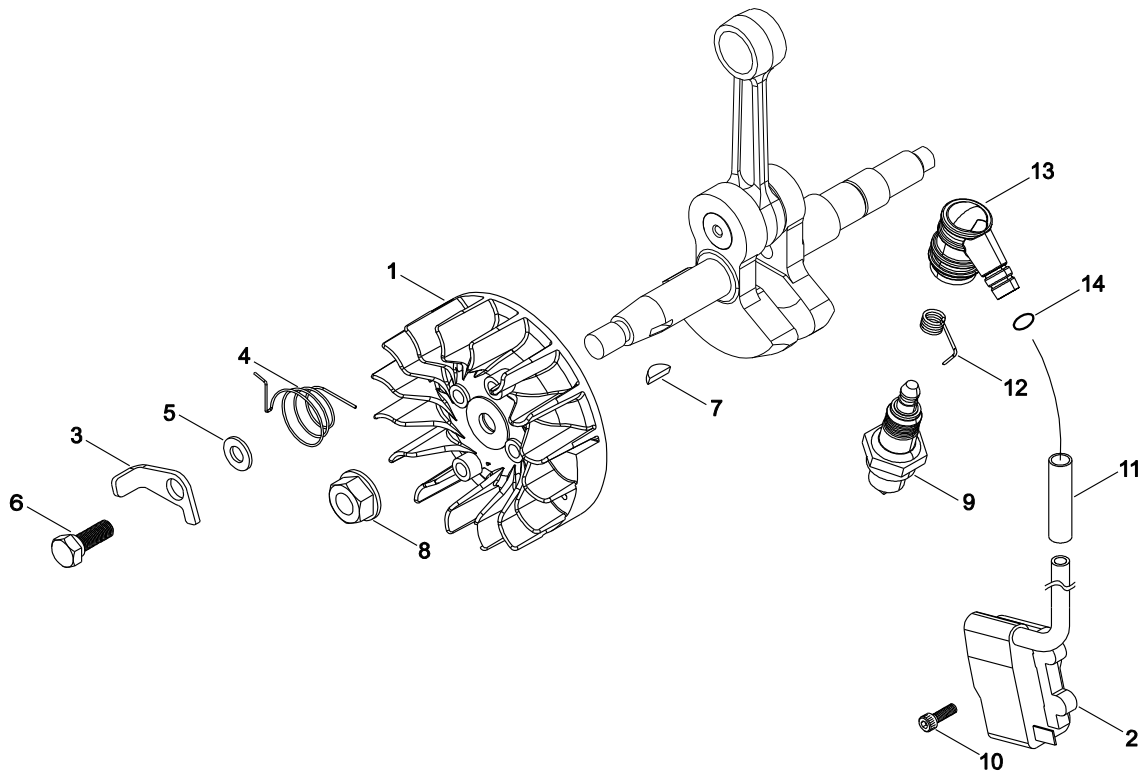
KEY	LV	PART NUMBER	Q'TY	DESCRIPTION	REMARKS	NOTE1	NOTE2
1		A160-003080	1	COVER,CYLINDER			
2		A219-000040	1	SHUTTER,AIR			
3		V202-000690	3	BOLT,4	M4*14		
4		P021-037400	1	SWITCH, ON OFF			
5	+	V266-000090	1	NUT,10			
6		V141-000100	1	PLUG			
7		P021-038801	1	CRANKCASE,ASM			
8	+	V592-000290	1	BEARING, BALL	6202X47C3		
9	+	V508-000070	1	OIL SEAL			
10	+	V225-000150	2	BOLT,STUD			
11	+	437239-14730	1	NIPPLE			
12	+	V629-000000	2	ROLLER			
13	+	V592-000330	1	BEARING, BALL	6201X3C3		
14	+	V505-000070	1	OIL SEAL			
15	+	A356-000130	1	VALVE,CHECK			
16	+	V102-000220	1	GASKET,CRANKCASE			
17	+	V203-001450	3	BOLT			
18	+	V203-001540	2	BOLT,ADHESIVE			
19		C310-000110	1	CATCHER, CHAIN			
20		V353-000460	1	BUSH			
21		900105-05030	1	BOLT, H.S. 5*30	5*30		
22		900600-00005	1	WASHER 5	5		
23		C020-000040	1	CAP			
24	+	V107-000090	1	GASKET,FUEL CAP			
25		V420-004980	1	CUSHION			

2. CRANKCASE



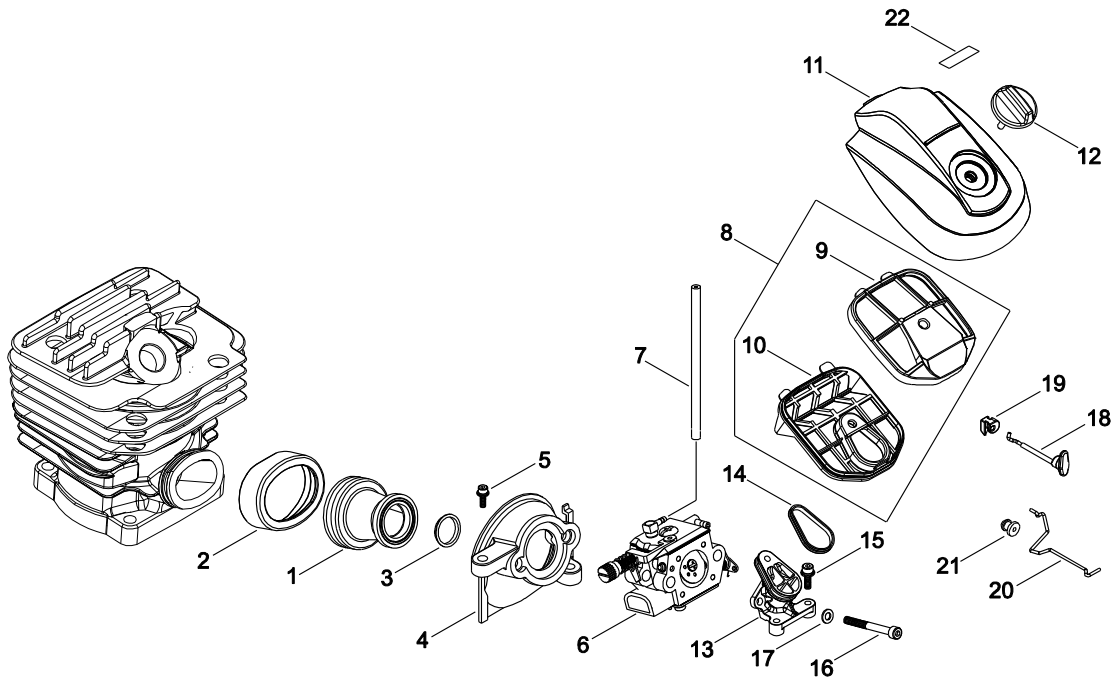
KEY	LV	PART NUMBER	Q'TY	DESCRIPTION	REMARKS	NOTE1	NOTE2
26		V420-002780	1	CUSHION			
27		890345-39231	1	LABEL,CAUTION			
28		C022-000121	1	AUTO-OILER ASSEMBLY			
29		C021-000050	1	STRAINER, OIL			
30	+	C209-000070	1	STRAINER,OIL			
31	+	V470-001840	1	PIPE			
32	+	V490-000500	1	CLIP			
33		C236-000060	1	COVER,OILER			
34		V202-000520	3	BOLT,4			
35		V133-000040	1	GROMMET			
36		900603-00004	1	WASHER 4	4.5*10*0.8		
37		900212-04008	1	SCREW 4*8	+SF4*8		
38		V355-000460	1	COLLAR,8			

3. MAGNETO



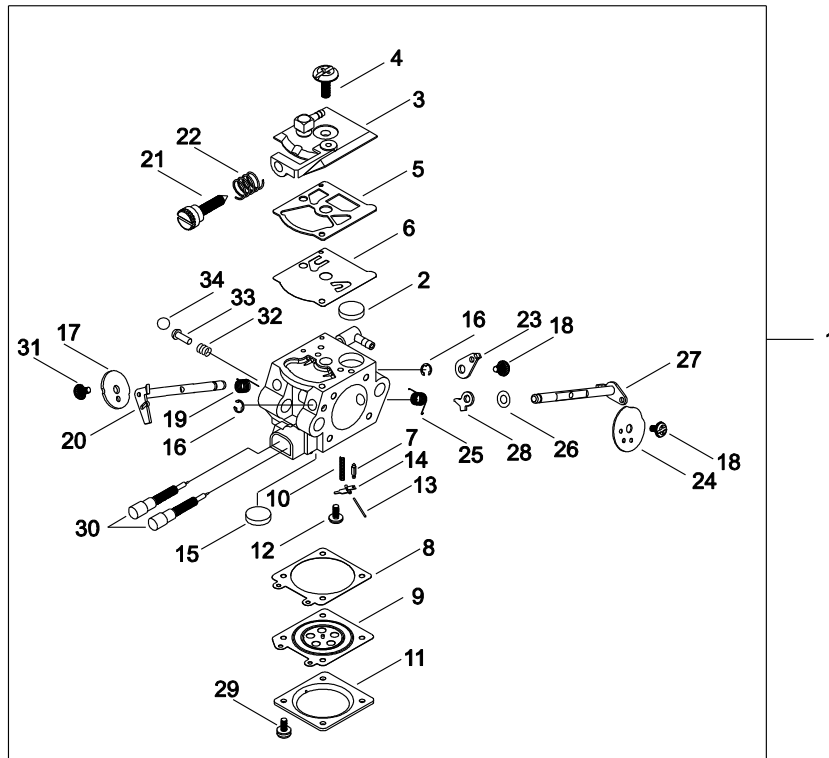
KEY	LV	PART NUMBER	Q'TY	DESCRIPTION	REMARKS	NOTE1	NOTE2
1		A409-001151	1	ROTOR,MAGNETO			
2		P021-049550	1	COIL, IGNITION			
3		A514-000220	2	PAWL			
4		V452-000870	2	SPRING,TORSION			
5		V304-000270	2	WASHER,CIRCULAR 6			
6		V204-000620	2	BOLT			
7		93115-03010	1	KEY	3*10		
8		V265-000220	1	NUT			
9		A425-000000	1	SPARKPLUG	BPMR8Y		
10		V202-000540	2	BOLT,4			
11		V475-005180	1	TUBE			
12		A426-000040	1	TERMINAL SPARKPLUG			
13		A427-000160	1	PLUG CAP			
14		900720-20007	1	O-RING 7	P-7		

4. AIR CLEANER, CARBURETOR



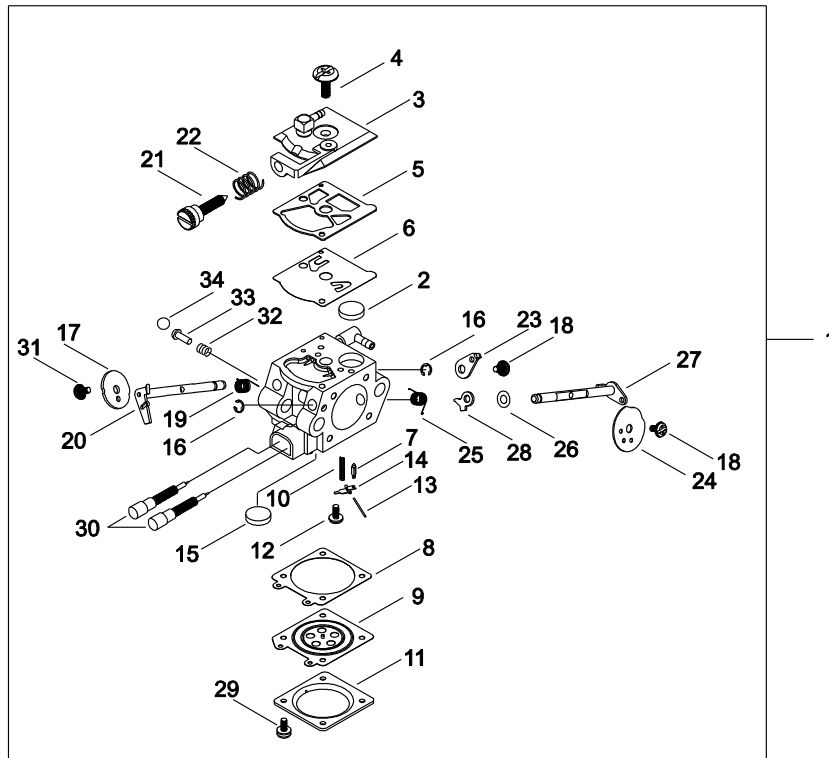
KEY	LV	PART NUMBER	Q'TY	DESCRIPTION	REMARKS	NOTE1	NOTE2
1		A202-000150	1	BOOT			
2		A206-000030	1	HOLDER, BELLOWS			
3		V359-000200	1	COLLAR			
4		A200-001050	1	INSULATOR, INTAKE			
5		V202-000200	2	BOLT			
6		A021-004410	1	CARBURETOR, DIAPHRAGM			
7		V471-002800	1	PIPE			
8		A226-001580	1	ELEMENT, AIR FILTER	250メッシュ		
9	+	A226-001590	1	ELEMENT, AIR FILTER			
10	+	A226-001600	1	ELEMENT, AIR FILTER			
11		A232-001511	1	LID, CLEANER	ID NO.1930		
12		A235-000270	1	KNOB, CLEANER LID			
13		A204-000220	1	ELBOW, CARBURETOR			
14		V581-000280	1	GASKET			
15		V202-000200	2	BOLT			
16		91100-05048	2	BOLT			
17		900600-00005	2	WASHER 5	5		
18		A240-000111	1	ROD, CHOKE			
19		V130-000131	1	GROMMET, CHOKE			
20		C454-000280	1	ROD, THROTTLE			
21		V133-000040	1	GROMMET			
22		X503-013190	1	LABEL, MODEL			

5. CARBURETOR



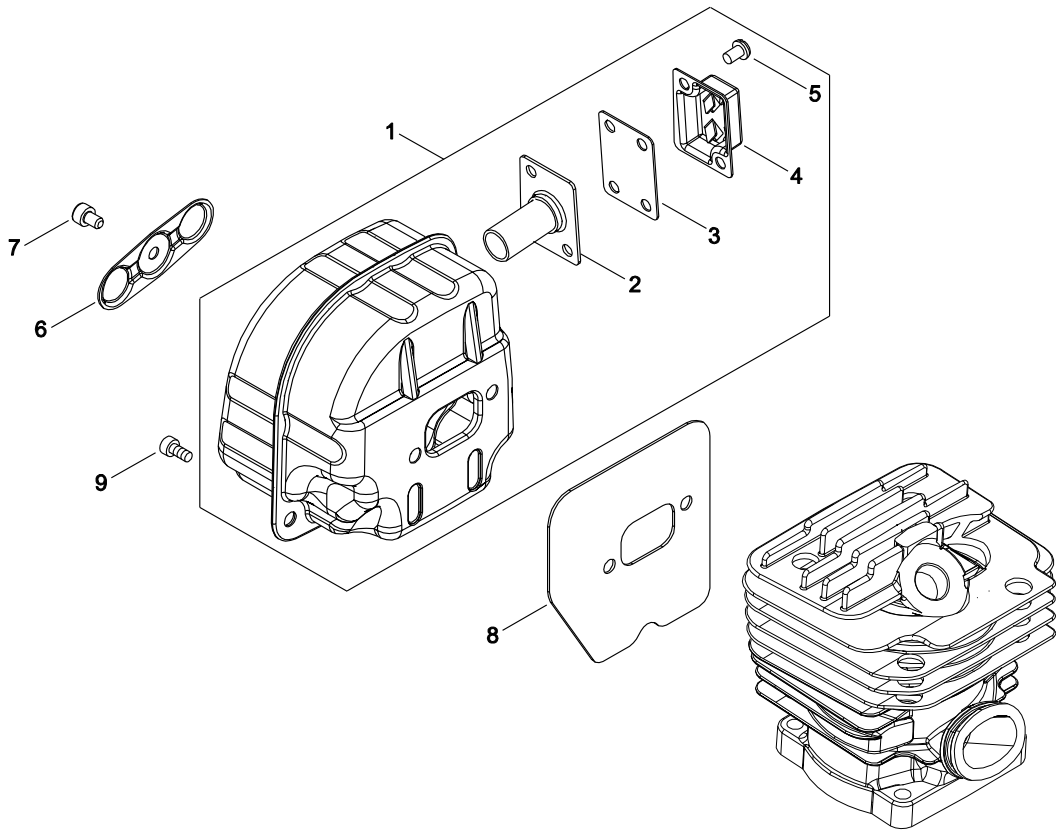
KEY	LV	PART NUMBER	Q'TY	DESCRIPTION	REMARKS	NOTE1	NOTE2
1		A021-004410	1	CARBURETOR, DIAPHRAGM			
2	+	123126-10631	1	SCREEN, INLET			
3	+	P003-005600	1	PUMP COVER ASY			
4	+	123110-03930	1	SCREW, PUMP COVER			
5	+	123125-15030	1	GASKET, FUEL PUMP			
6	+	123112-15030	1	DIAPHRAGM, FUEL PUMP			
7	+	123137-19830	1	VALVE, INLET NEEDLE			
8	+	123140-03930	1	GASKET, M. DIAPHRAGM			
9	+	P003-001850	1	DIAPHRAGM, METERING			
10	+	123122-03660	1	SPRING, METER. LEVER			
11	+	123142-03930	1	COVER, M. DIAPHRAGM			
12	+	123139-03930	1	SCREW, M. LEVER PIN			
13	+	123138-03930	1	PIN, METERING LEVER			
14	+	123123-03930	1	LEVER, METERING			
15	+	123146-10631	1	PLUG, WELCH			
16	+	123127-15030	2	RING			
17	+	123116-10530	1	VALVE, THROTTLE			
18	+	123114-38830	2	SCREW			
19	+	123113-37530	1	SPRING, THROTTLE RTN			
20	+	P003-005620	1	SHAFT ASSY			
21	+	P003-003650	1	IDEL SCREW			
22	+	123133-04260	1	SPRING, IDLE ADJUST			
23	+	P003-003180	1	THROTTLE LEVER			
24	+	P003-005590	1	VALVE, CHOKE			
25	+	P003-002260	1	SPRING			

5. CARBURETOR



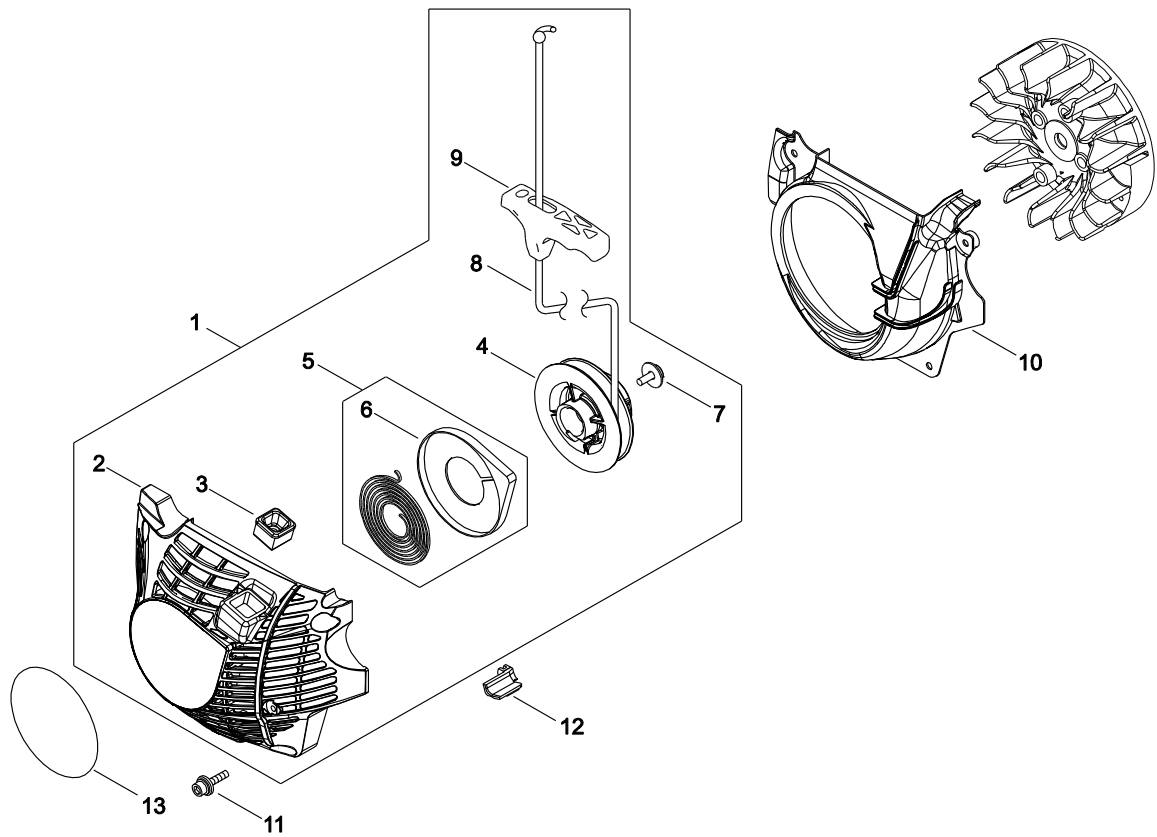
KEY	LV	PART NUMBER	Q'TY	DESCRIPTION	REMARKS	NOTE1	NOTE2
26	+	123149-26030	1	WASHER			
27	+	P003-003190	1	SHAFT			
28	+	P003-001510	1	LEVER-FAST IDLE			
29	+	123130-02960	4	SCREW			
30	+	P003-004460	2	NEEDLE			
31	+	P003-002380	1	SCREW			
32	+	123186-09660	1	SPRING, START VALVE			
33	+	123185-09660	1	PISTON ASSY			
34	+	123136-09660	1	BALL			

6. MUFFLER



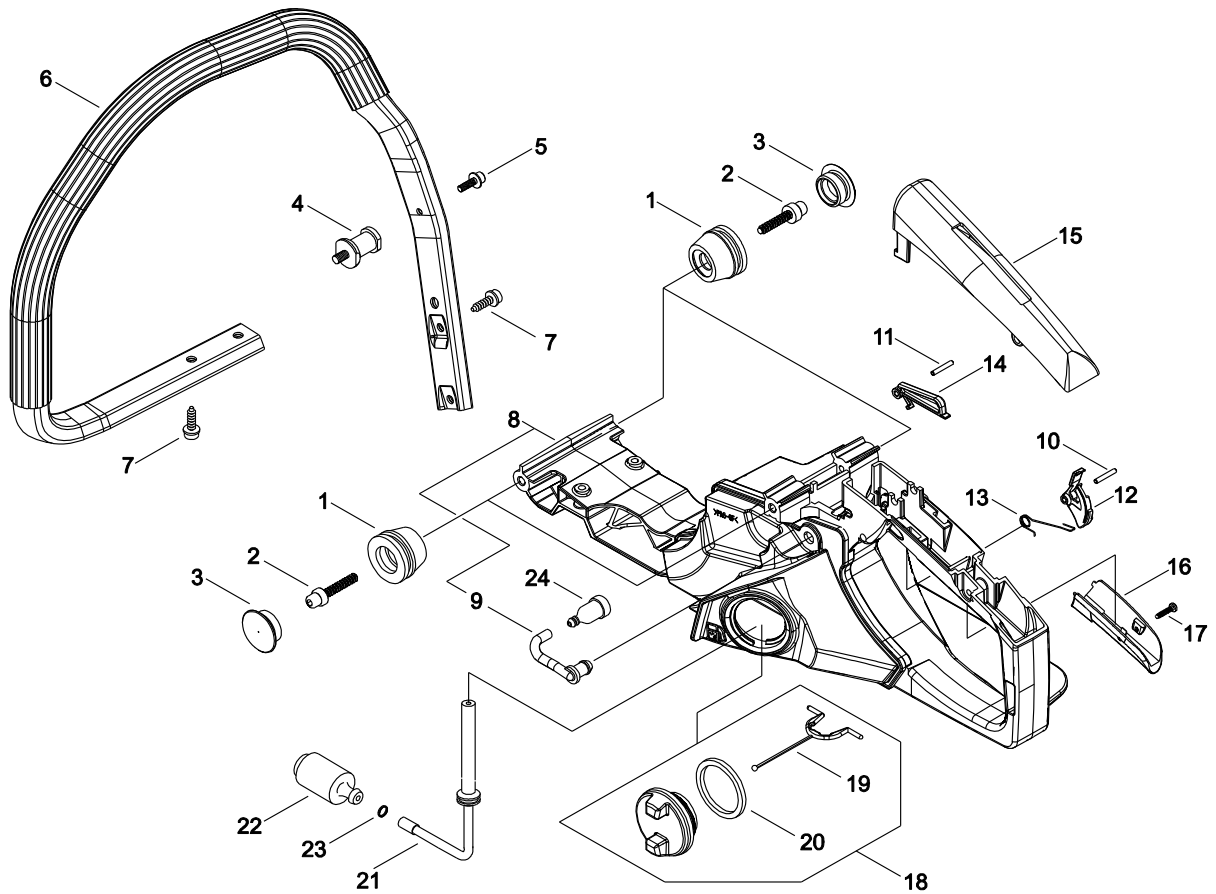
KEY	LV	PART NUMBER	Q'TY	DESCRIPTION	REMARKS	NOTE1	NOTE2
1		P021-048660	1	MUFFLER ASY			
2	+	A313-001481	1	GUIDE, EXHAUST			
3	+	A310-000450	1	SCREEN, ARRESTOR			
4	+	A313-002010	1	GUIDE, EXHAUST	ID:2220		
5	+	91578-04006	2	SCREW			
6		A301-000060	1	PLATE, MUFFLER			
7		900105-04006	1	BOLT, H.S. 4*6	4*6		
8		V104-001780	1	GASKET, EXHAUST			
9		V203-002200	4	BOLT, 5	M5X18		

7. RECOIL STARTER



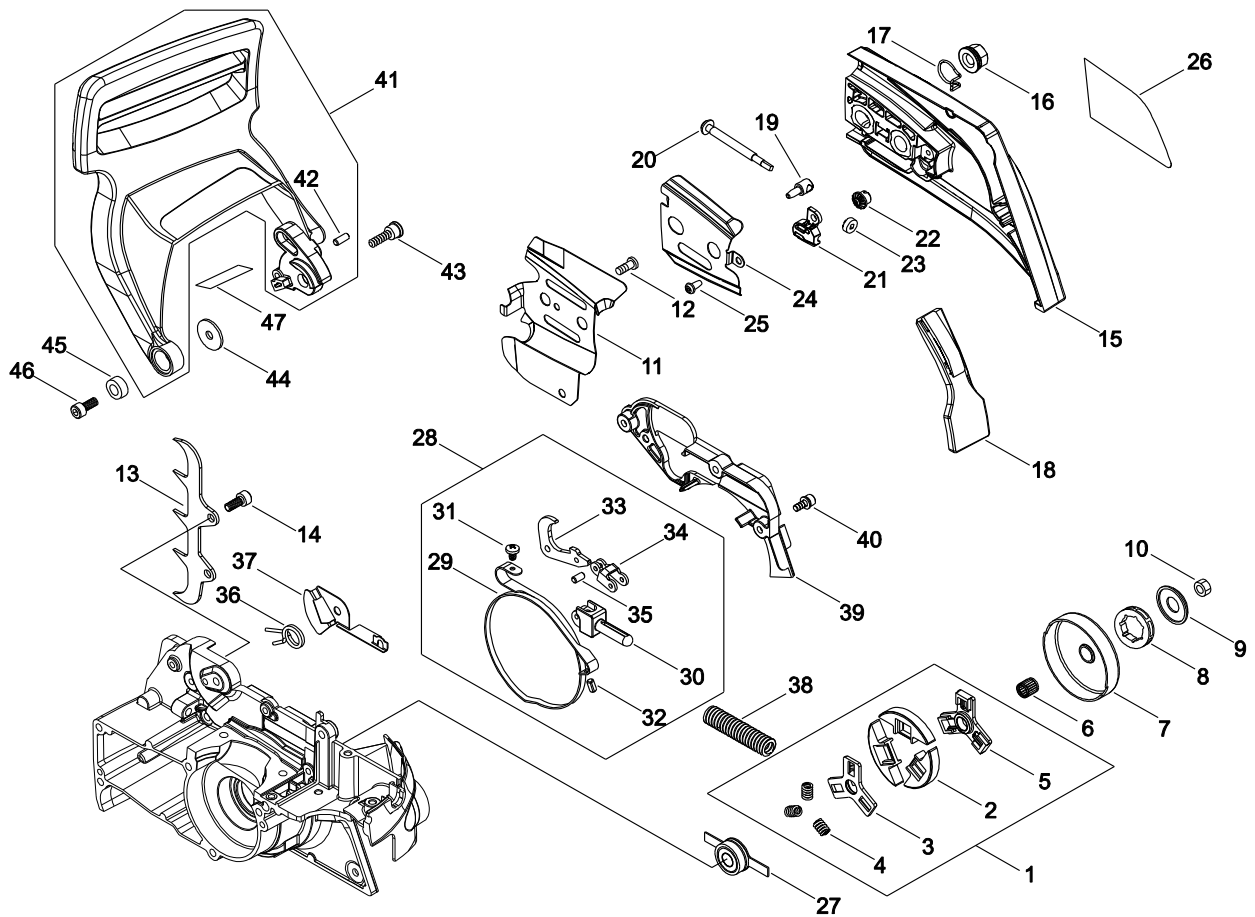
KEY	LV	PART NUMBER	Q'TY	DESCRIPTION	REMARKS	NOTE1	NOTE2
1		A051-003000	1	STARTER,RECOIL			
2	+	A500-001590	1	CASE, STARTER			
3	+	A510-000130	1	GUIDE,ROPE			
4	+	A506-000530	1	REEL, ROPE			
5	+	A504-000190	1	RECOIL SPRING ASSY			
6	++	A565-000060	1	HOLDER			
7	+	V253-000680	1	SCREW TAPPING			
8	+	A509-000390	1	ROPE			
9	+	A511-000230	1	NOB			
10		A172-001870	1	COVER,FAN			
11		V202-000200	4	BOLT			
12		V131-000190	1	GROMMET,NEEDLE			
13		X502-000900	1	LABEL,ECHO			

8. HANDLE



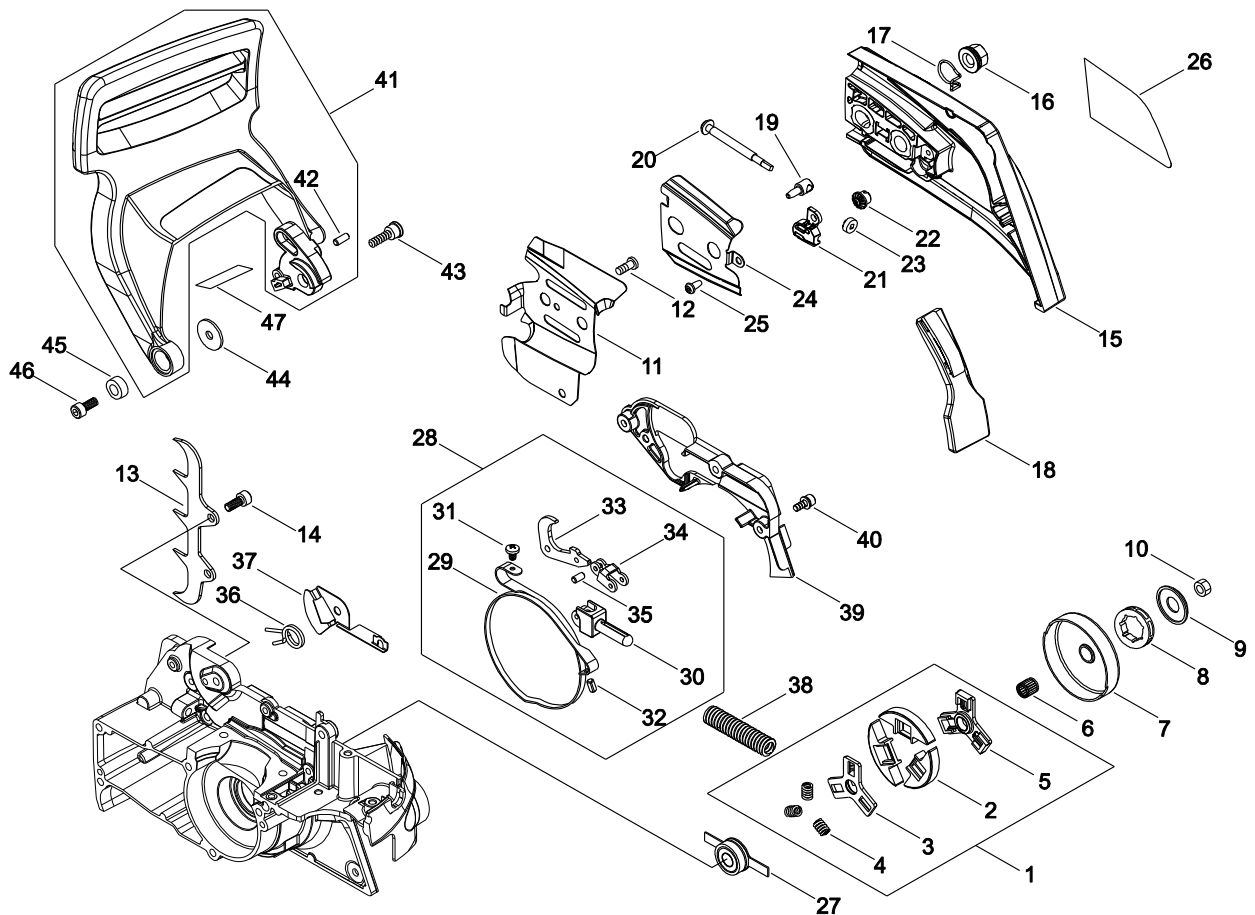
KEY	LV	PART NUMBER	Q'TY	DESCRIPTION	REMARKS	NOTE1	NOTE2
1		V401-000610	4	CUSHION,5			
2		V203-001480	4	BOLT			
3		V421-000070	4	CAP,CUSHION			
4		V401-000330	1	CUSHION			
5		V202-000350	1	BOLT-SPW	M4-14		
6		C040-000830	1	HANDLE, FRONT			
7		V203-001490	4	BOLT TAPPING			
8		P021-048670	1	HANDLE, ASM REAR			
9	+	V470-001530	1	PIPE			
10		93060-40250	1	PIN, SPRING			
11		93042-40220	1	PIN, SPRING			
12		C450-000642	1	CONTROL, THROTTLE			
13		V452-000850	1	SPRING,TORSION			
14		C460-000390	1	LOCKOUT,THROTTLE			
15		C411-000170	1	LID,HANDLE			
16		C403-000530	1	GRIP			
17		91449-04022	1	SCREW TAPPING			
18		A033-000370	1	CAP ASSY			
19	+	A365-000090	1	ANCHOR			
20	+	V107-000070	1	GASKET			
21		V470-001520	1	PIPE			
22		A369-000450	1	STRAINER, FUEL			
23		V490-000500	1	CLIP			
24		131300-56431	1	VENT ASSEMBLY, FUEL			

9. CHAIN BRAKE



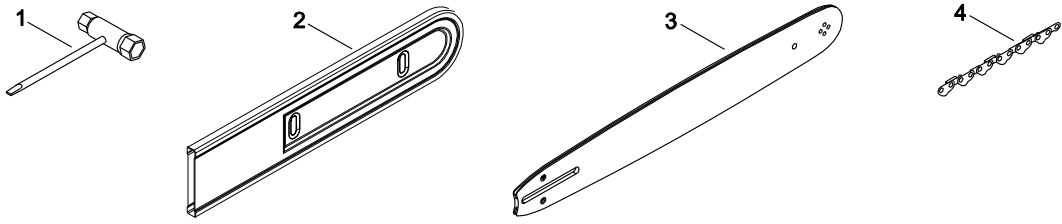
KEY	LV	PART NUMBER	Q'TY	DESCRIPTION	REMARKS	NOTE1	NOTE2
1		A056-000611	1	CLUTCH ASY			
2	+	A555-000210	3	SHOE,CLUTCH			
3	+	A552-000231	1	HUB, CLUTCH			
4	+	V451-000930	3	SPRING			
5	+	A552-000241	1	HUB, CLUTCH			
6		V555-000150	1	BEARING,NEEDLE			
7		A556-001121	1	DRUM, CLUTCH			
8		175114-12530	1	SPROCKET, RIM .325			
9		V307-000451	1	WASHER,CIRCULAR 10			
10		V265-000211	1	NUT,8			
11		C305-000411	1	PLATE,SPROCKET GUARD			
12		V252-000470	1	SCREW 4			
13		C304-000310	1	SPIKED			
14		900105-05012	2	BOLT, H.S. 5*12	5*12		
15		C300-001040	1	GUARD, SPROCKET			
16		V265-000550	2	NUT,8			
17		C649-000420	2	HOOK			
18		C302-000030	1	PROTECTOR			
19		C309-000190	1	TENSIONER, CHAIN			
20		V203-000021	1	BOLT,5			
21		V355-000840	1	COLLAR,8			
22		V651-001060	1	GEAR,BEVEL			
23		V651-000011	1	GEAR,BEVEL			
24		C305-000470	1	PLATE,SPROCKET GUARD	T=0.5		
25		900253-04008	1	SCREW 4*8	4*8		

9. CHAIN BRAKE



KEY	LV	PART NUMBER	Q'TY	DESCRIPTION	REMARKS	NOTE1	NOTE2
26		X502-001020	1	LABEL,ECHO			
27		P021-023110	1	GEAR			
28		C328-000210	1	BAND,BRAKE			
29	+	C328-000220	1	BAND,BRAKE			
30	+	C334-000180	1	CONNECTOR,BRAKE			
31	+	91381-04010	1	SCREW TAPPING			
32	+	93042-40100	1	PIN, SPRING			
33	+	C334-000190	1	CONNECTOR, BRAKE			
34	+	C334-000200	1	CONNECTOR,BRAKE			
35	+	900330-30120	2	PIN	3*12		
36		V452-000860	1	SPRING,TORSION			
37		C347-000010	1	PLATE,BRAKE SEAL			
38		V450-001160	1	SPRING,COIL			
39		C345-000430	1	ROD,THROTTLE			
40		V202-000490	3	BOLT			
41		P021-026933	1	GUARD COMP			
42	+	900330-40080	1	PIN F 4*8	4*8		
43		V203-001470	1	BOLT,ADHESIVE			
44		V303-000320	1	WASHER,CIRCULAR 5			
45		J211-000430	1	BUSH			
46		V203-001410	1	BOLT ADHESIVE			
47		V341-000000	1	WASHER,SQUARE			

10. ACCESSORIES



KEY	LV	PART NUMBER	Q'TY	DESCRIPTION	REMARKS	NOTE1	NOTE2
1		X602-000150	1	PLUG WRENCH			
2		X490-000490	1	SCABBARD,CHAIN			
3		X124-000690	1	BAR, GUIDE 40			
4		431711-38331	1	CHAIN, SAW	21BPX-68E		

Index

Patrs Number	Key No.	Patrs Number	Key No.	Patrs Number	Key No.
123110-03930	5 - 4	A021-004410	5 - 1	C302-000030	9 - 18
123112-15030	5 - 6	A033-000370	8 - 18	C304-000310	9 - 13
123113-37530	5 - 19	A051-003000	7 - 1	C305-000411	9 - 11
123114-38830	5 - 18	A056-000611	9 - 1	C305-000470	9 - 24
123116-10530	5 - 17	A101-000690	1 - 7	C309-000190	9 - 19
123122-03660	5 - 10	A130-002280	1 - 1	C310-000110	2 - 19
123123-03930	5 - 14	A160-003080	2 - 1	C328-000210	9 - 28
123125-15030	5 - 5	A172-001870	7 - 10	C328-000220	9 - 29
123126-10631	5 - 2	A200-001050	4 - 4	C334-000180	9 - 30
123127-15030	5 - 16	A202-000150	4 - 1	C334-000190	9 - 33
123130-02960	5 - 29	A204-000220	4 - 13	C334-000200	9 - 34
123133-04260	5 - 22	A206-000030	4 - 2	C345-000430	9 - 39
123136-09660	5 - 34	A219-000040	2 - 2	C347-000010	9 - 37
123137-19830	5 - 7	A226-001580	4 - 8	C403-000530	8 - 16
123138-03930	5 - 13	A226-001590	4 - 9	C411-000170	8 - 15
123139-03930	5 - 12	A226-001600	4 - 10	C450-000642	8 - 12
123140-03930	5 - 8	A232-001511	4 - 11	C454-000280	4 - 20
123142-03930	5 - 11	A235-000270	4 - 12	C460-000390	8 - 14
123146-10631	5 - 15	A240-000111	4 - 18	C649-000420	9 - 17
123149-26030	5 - 26	A301-000060	6 - 6	J211-000430	9 - 45
123185-09660	5 - 33	A310-000450	6 - 3	P003-001510	5 - 28
123186-09660	5 - 32	A313-001481	6 - 2	P003-001850	5 - 9
131300-56431	8 - 24	A313-002010	6 - 4	P003-002260	5 - 25
175114-12530	9 - 8	A356-000130	2 - 15	P003-002380	5 - 31
431711-38331	10 - 4	A365-000090	8 - 19	P003-003180	5 - 23
437239-14730	2 - 11	A369-000450	8 - 22	P003-003190	5 - 27
890345-39231	2 - 27	A409-001151	3 - 1	P003-003650	5 - 21
900105-04006	6 - 7	A425-000000	3 - 9	P003-004460	5 - 30
900105-05012	9 - 14	A426-000040	3 - 12	P003-005590	5 - 24
900105-05030	2 - 21	A427-000160	3 - 13	P003-005600	5 - 3
900212-04008	2 - 37	A500-001590	7 - 2	P003-005620	5 - 20
900253-04008	9 - 25	A504-000190	7 - 5	P021-023110	9 - 27
900330-30120	9 - 35	A506-000530	7 - 4	P021-026933	9 - 41
900330-40080	9 - 42	A509-000390	7 - 8	P021-037400	2 - 4
900600-00005	2 - 22	A510-000130	7 - 3	P021-038801	2 - 7
900600-00005	4 - 17	A511-000230	7 - 9	P021-048650	1 - 6
900603-00004	2 - 36	A514-000220	3 - 3	P021-048660	6 - 1
900720-20007	3 - 14	A552-000231	9 - 3	P021-048670	8 - 8
91100-05048	4 - 16	A552-000241	9 - 5	P021-049550	3 - 2
91381-04010	9 - 31	A555-000210	9 - 2	V100-000620	1 - 2
91449-04022	8 - 17	A556-001121	9 - 7	V102-000220	2 - 16
91578-04006	6 - 5	A565-000060	7 - 6	V104-001780	6 - 8
93042-40100	9 - 32	C020-000040	2 - 23	V107-000070	8 - 20
93042-40220	8 - 11	C021-000050	2 - 29	V107-000090	2 - 24
93060-40250	8 - 10	C022-000121	2 - 28	V130-000131	4 - 19
93115-03010	3 - 7	C040-000830	8 - 6	V131-000190	7 - 12
A011-001420	1 - 12	C209-000070	2 - 30	V133-000040	2 - 35
A014-000110	1 - 3	C236-000060	2 - 33	V133-000040	4 - 21
A021-004410	4 - 6	C300-001040	9 - 15	V141-000090	1 - 4

Index

Patrs Number	Key No.	Patrs Number	Key No.	Patrs Number	Key No.
V141-000100	2 - 6	V475-005180	3 - 11		
V202-000200	4 - 5	V490-000500	2 - 32		
V202-000200	4 - 15	V490-000500	8 - 23		
V202-000200	7 - 11	V505-000070	2 - 14		
V202-000350	8 - 5	V508-000070	2 - 9		
V202-000490	9 - 40	V555-000150	9 - 6		
V202-000520	2 - 34	V556-000040	1 - 10		
V202-000540	3 - 10	V580-000030	1 - 9		
V202-000690	2 - 3	V581-000280	4 - 14		
V203-000021	9 - 20	V592-000290	2 - 8		
V203-001320	1 - 5	V592-000330	2 - 13		
V203-001410	9 - 46	V609-000070	1 - 8		
V203-001450	2 - 17	V629-000000	2 - 12		
V203-001470	9 - 43	V651-000011	9 - 23		
V203-001480	8 - 2	V651-001060	9 - 22		
V203-001490	8 - 7	X124-000690	10 - 3		
V203-001540	2 - 18	X490-000490	10 - 2		
V203-002200	6 - 9	X502-000900	7 - 13		
V204-000620	3 - 6	X502-001020	9 - 26		
V225-000150	2 - 10	X503-013190	4 - 22		
V252-000470	9 - 12	X602-000150	10 - 1		
V253-000680	7 - 7				
V265-000211	9 - 10				
V265-000220	3 - 8				
V265-000550	9 - 16				
V266-000090	2 - 5				
V303-000320	9 - 44				
V304-000270	3 - 5				
V307-000451	9 - 9				
V308-000040	1 - 11				
V341-000000	9 - 47				
V353-000460	2 - 20				
V355-000460	2 - 38				
V355-000840	9 - 21				
V359-000200	4 - 3				
V401-000330	8 - 4				
V401-000610	8 - 1				
V420-002780	2 - 26				
V420-004980	2 - 25				
V421-000070	8 - 3				
V450-001160	9 - 38				
V451-000930	9 - 4				
V452-000850	8 - 13				
V452-000860	9 - 36				
V452-000870	3 - 4				
V470-001520	8 - 21				
V470-001530	8 - 9				
V470-001840	2 - 31				
V471-002800	4 - 7				

YAMABIKO CORPORATION

7-2 SUEHIROCHO 1-CHOME, OHME, TOKYO 198-8760, JAPAN
PHONE: 81-428-32-6118. FAX: 81-428-32-6145.



-15E
No. 07-200