



# **PARTS CATALOGUE**

## **CHAIN SAW**

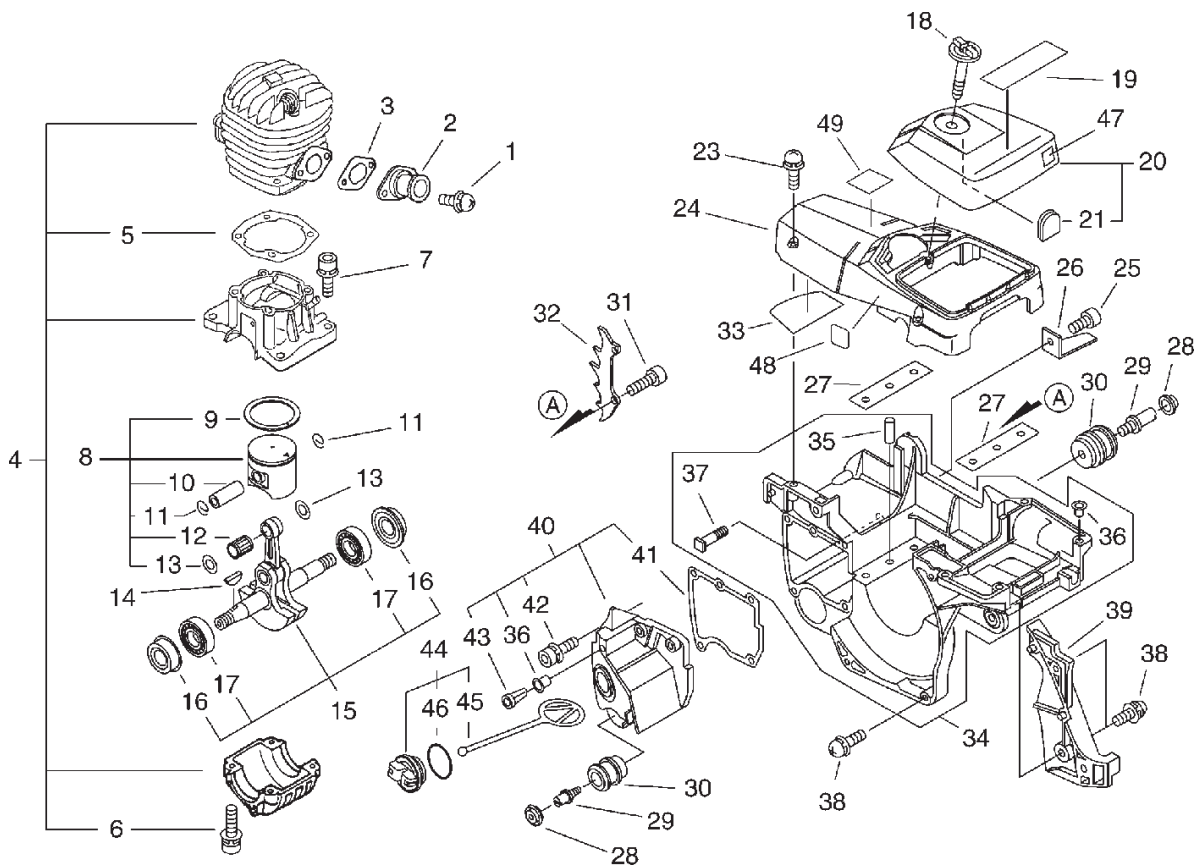
**CS-450**



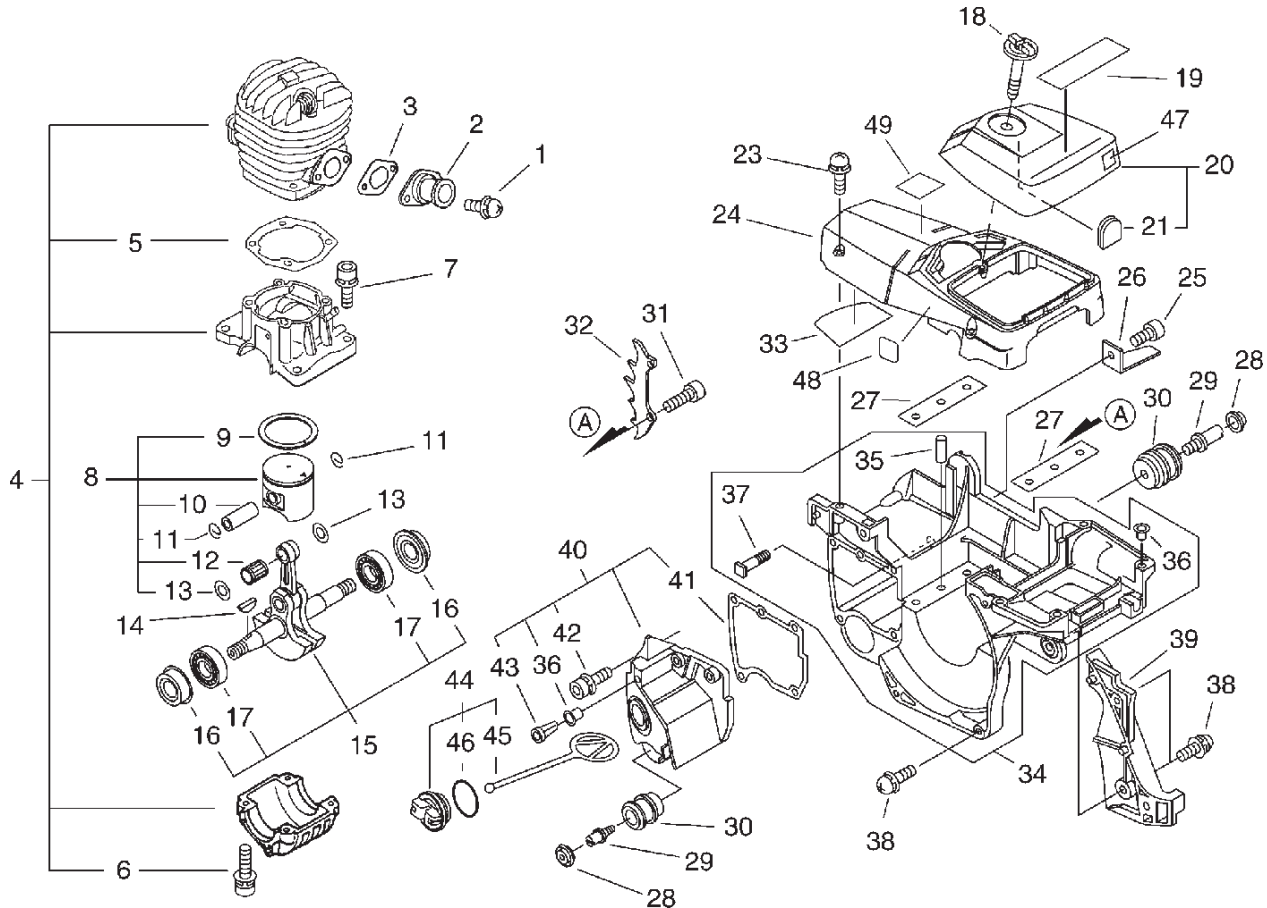
P014-001450-11Gb

**CS-450**

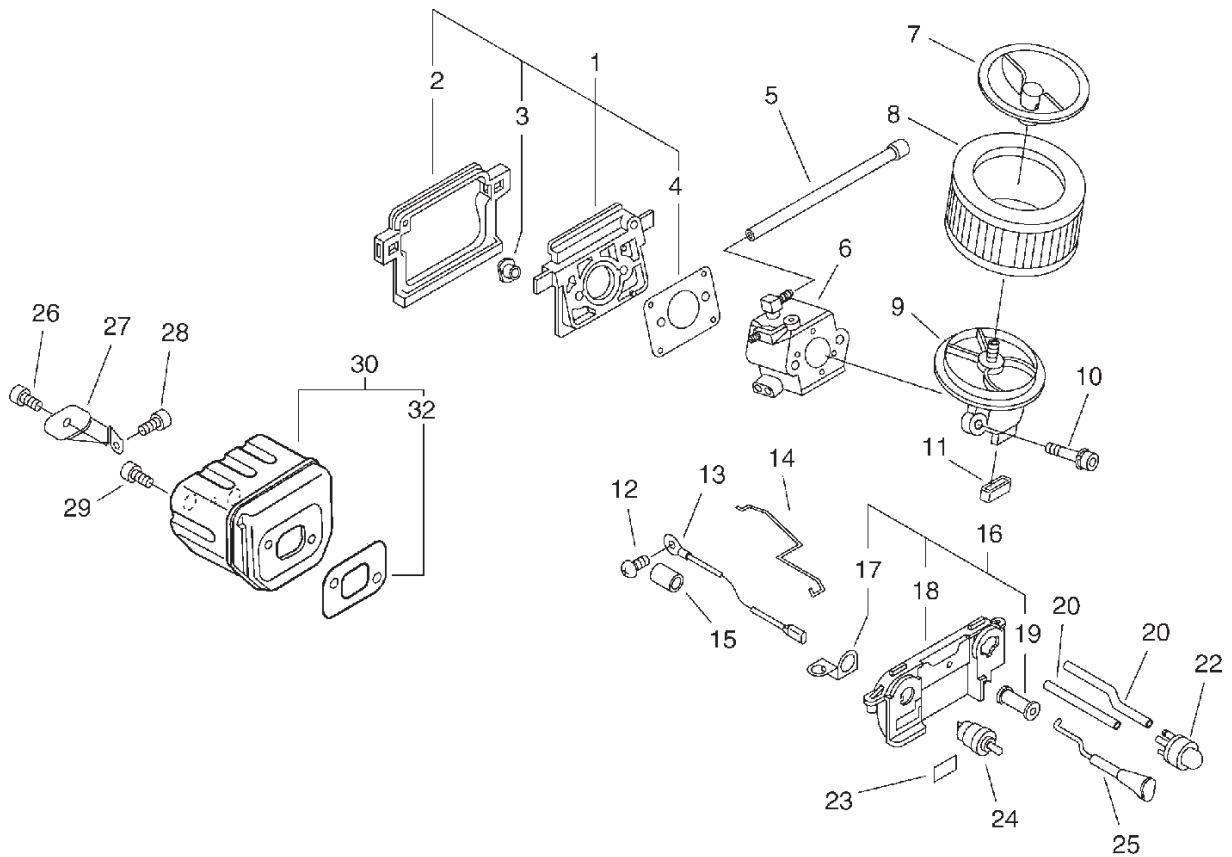
**1 CYLINDER, PISTON, CRANKSHAFT**



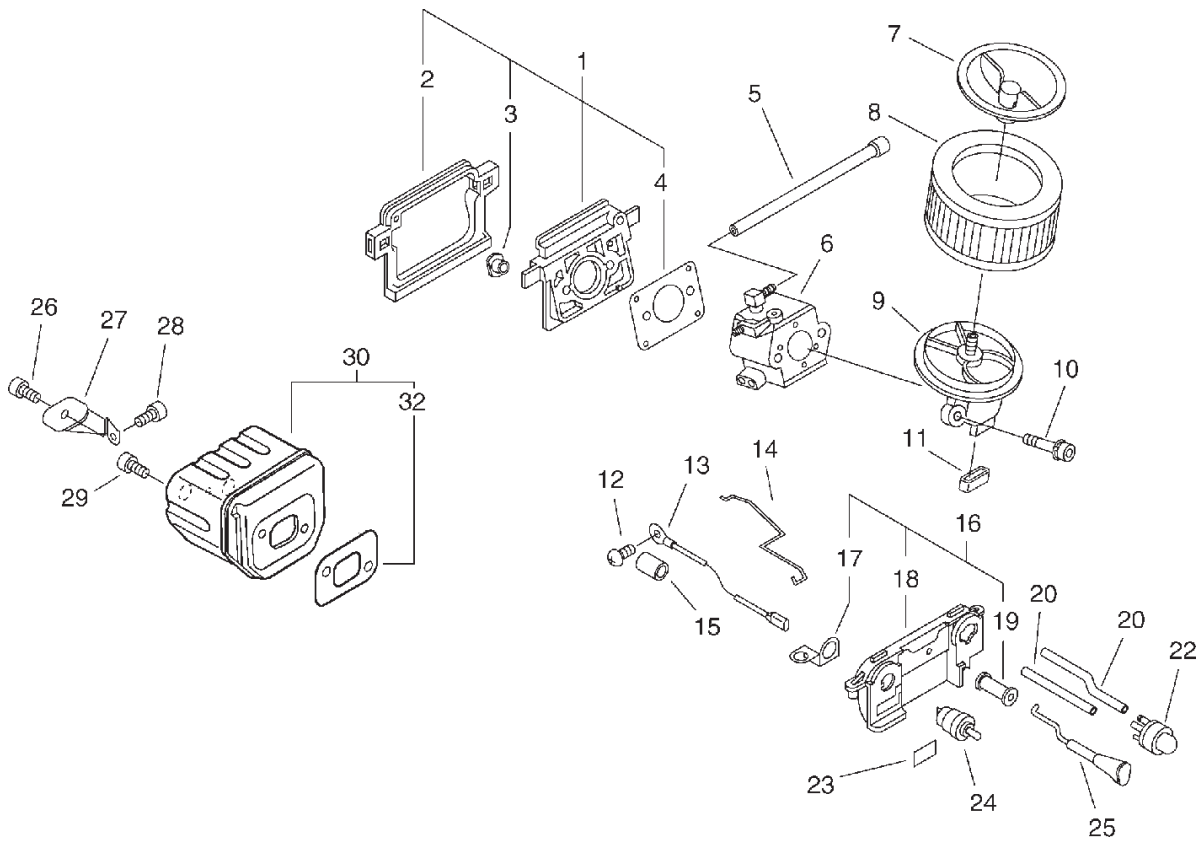
KEY	LV	PART NUMBER	Q'TY	DESCRIPTION	REMARKS
1		900238-05012	2	SCREW 5*12	
2		130510-39932	1	ADAPTER, INTAKE	
3		130016-39930	1	GASKET, INTAKE	
4		P021-012420	1	CRANKCASE SET	
5	+	V100-000131	1	GASKET,CYL	
6	+	900162-05055	4	BOLT, H.S. 5*55	
7		900162-05022	4	BOLT, H.S. 5*22	
8		P021-016160	1	PISTON KIT	
9	+	100011-38930	1	RING, PISTON	
10	+	100013-35430	1	PIN, PISTON	
11	+	100015-03931	2	CIRCLIP, PISTON PIN	
12	+	100012-35430	1	BEARING, NEEDLE	
13	+	100014-19730	2	SPACER, PISTON PIN	
14		100142-39130	1	KEY, WOODRUFF	
15		P021-012441	1	CRANKSHAFT ASY	
16	+	V505-000011	2	SEAL,OIL 12	
17	+	900888-36201	2	BEARING, BALL 6201	
18		A235-000020	1	KNOB,CLEANER LID	
19		X503-008960	1	LABEL,MODEL	
20		P021-014271	1	LID,CLEANER	
21	+	130338-32430	1	PLUG, COVER	
23		900238-05025	3	SCREW 5*25	
24		A160-000940	1	COVER,CYLINDER	
25		900162-05014	1	BOLT, H.S. 5*14	
26		C310-000000	1	CATCHER, CHAIN	
27		V150-001740	2	PLATE,EYE	



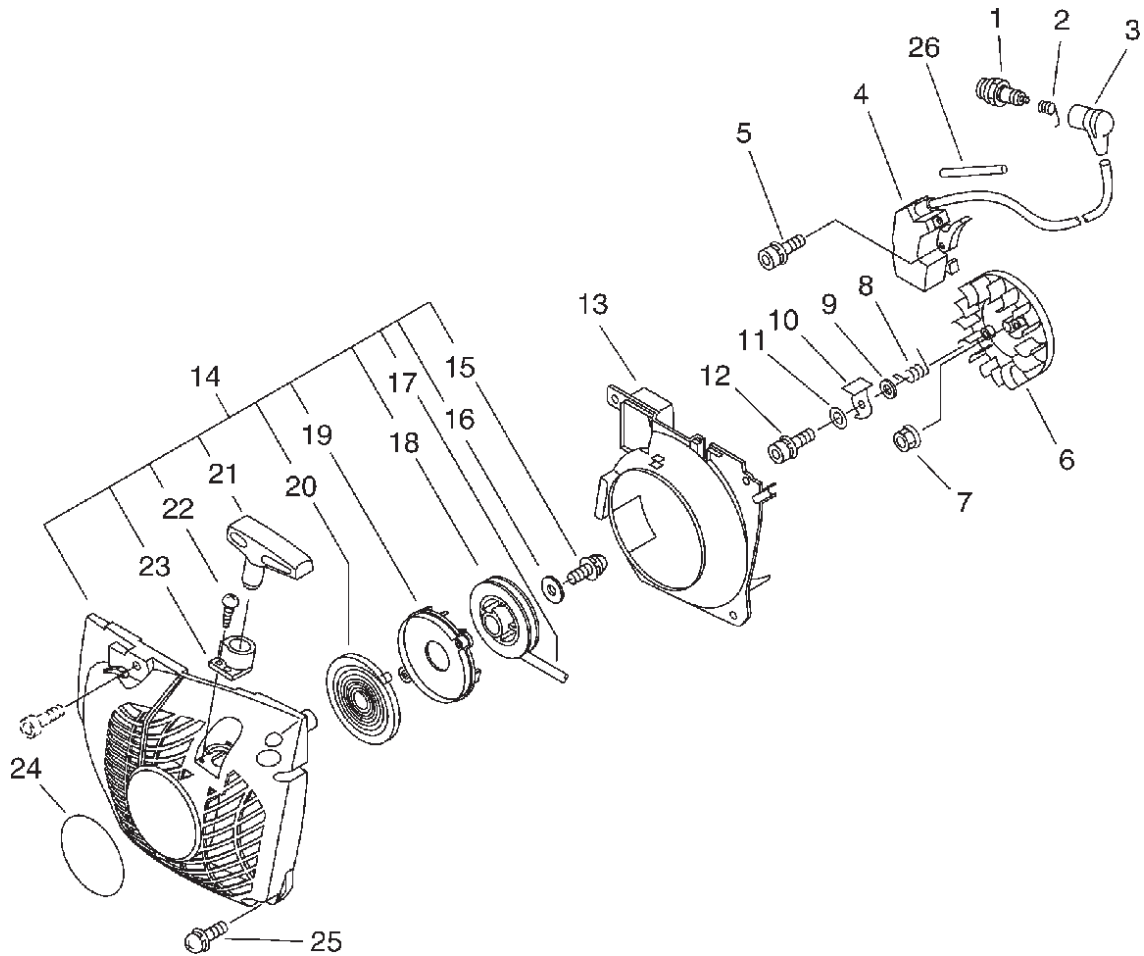
KEY	LV	PART NUMBER	Q'TY	DESCRIPTION	REMARKS
28		100918-38330	2	CAP, CUSHION	
29		100915-33930	2	SCREW	
30		100921-38330	4	CUSHION	
31		900105-05012	2	BOLT, H.S. 5*12	
32		C304-000030	1	SPIKED	
33		V341-000080	1	WASHER, SQUARE	
34		P021-012471	1	COVER, ENGINE	
35	+	100215-03930	2	PIN, DOWEL	
36	+	436018-38330	2	PIN, DOWEL	
37	+	433011-19831	2	STUD, GUIDE BAR	
38		900238-05016	3	SCREW 5*16	
39		C300-000321	1	GUARD, SPROCKET	
40		P021-012550	1	TANK, OIL	
36	+	436018-38330	1	PIN, DOWEL	
41	+	436019-38330	1	GASKET, OIL TANK	
42	+	900162-04016	3	BOLT, H.S. 4*16	
43	+	436114-13930	1	VALVE, CHECK	
44		P021-007630	1	CAP ASY, TANK	
45	+	A365-000050	1	CONNECTOR, CAP	
46	+	900721-00025	1	O-RING 25	
47		X524-001900	1	LABEL	
48		X505-000180	1	LABEL, CAUTION	
49		890345-39230	1	LABEL, CAUTION	



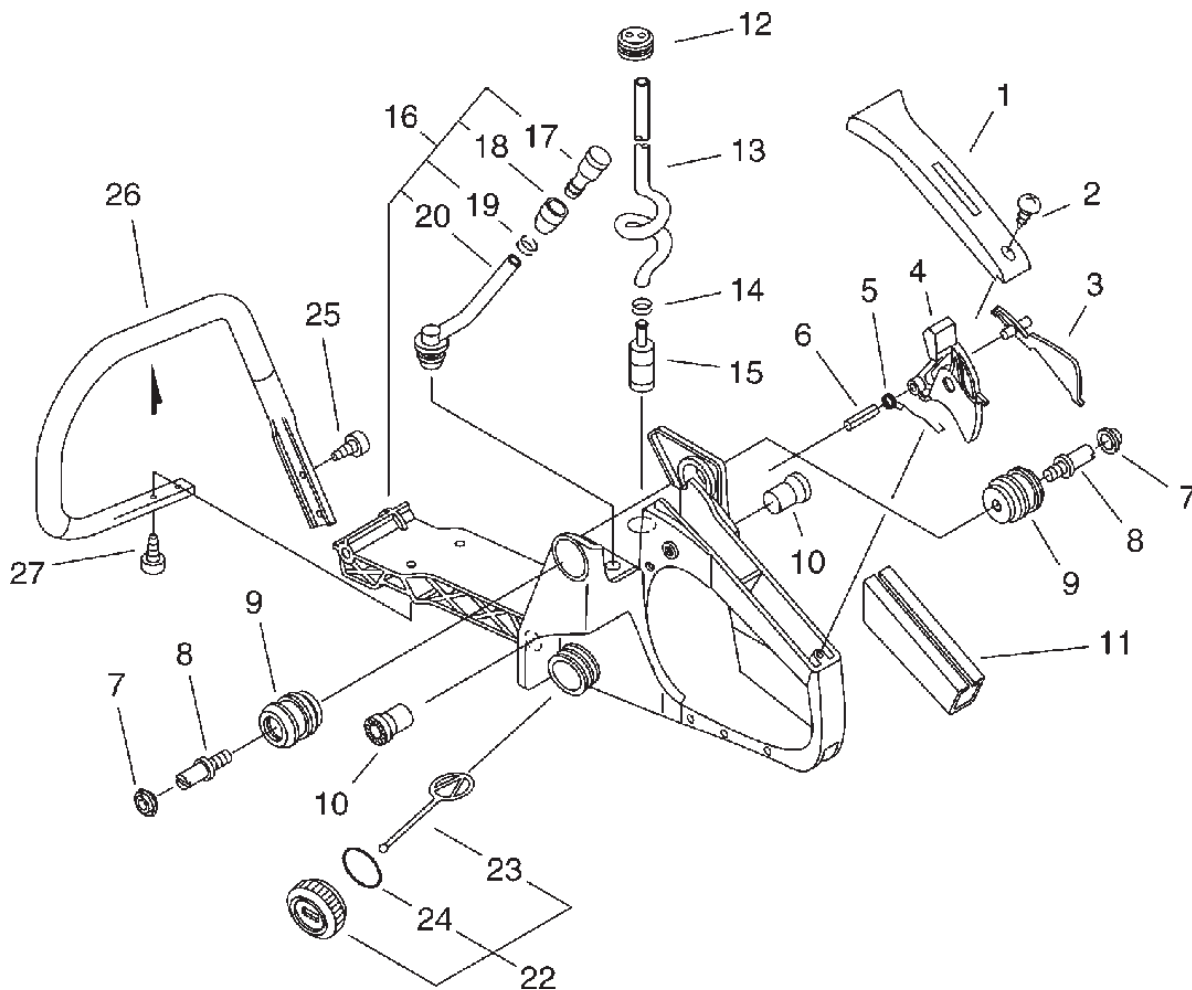
KEY	LV	PART NUMBER	Q'TY	DESCRIPTION	REMARKS
1		130000-38331	1	INSULATOR ASY,INTAKE	
2	+	V420-001130	1	CUSHION	
3	+	130020-33330	2	NUT	
4	+	130010-38330	1	GASKET, INTAKE	
5		130110-38330	1	PIPE, IMPULSE	
6		A021-001471	1	CARBURETOR,DIAPHRAGM	
7		130405-38332	1	BRACKET, AIR CLEANER	
8		130310-38331	1	FILTER, AIR	
9		A204-000004	1	ELBOW,CARBURETOR	
10		900162-05050	2	BOLT, H.S. 5*50	
11		130430-38330	1	CUSHION	
12		900220-04006	1	SCREW 4*6	
13		162010-38332	1	LEAD, GROUND	
14		C454-000150	1	ROD, THROTTLE	
15		C483-000000	1	BOOT,CONNECTOR	
16		P021-012490	1	BRACKET, SWITCH KIT	
17	+	163413-38930	1	PLATE, SWITCH	
18	+	A439-000310	1	BRACKET,SWITCH	
19	+	178810-14534	1	GROMMET	
20		V471-001240	2	PIPE	
22		123181-39130	1	PUMP, PRIMER	
23		890157-39130	1	LABEL, SWITCH	
24		163400-38330	1	SWITCH, IGNITION	
25		A241-000101	1	KNOB, CHOKE	



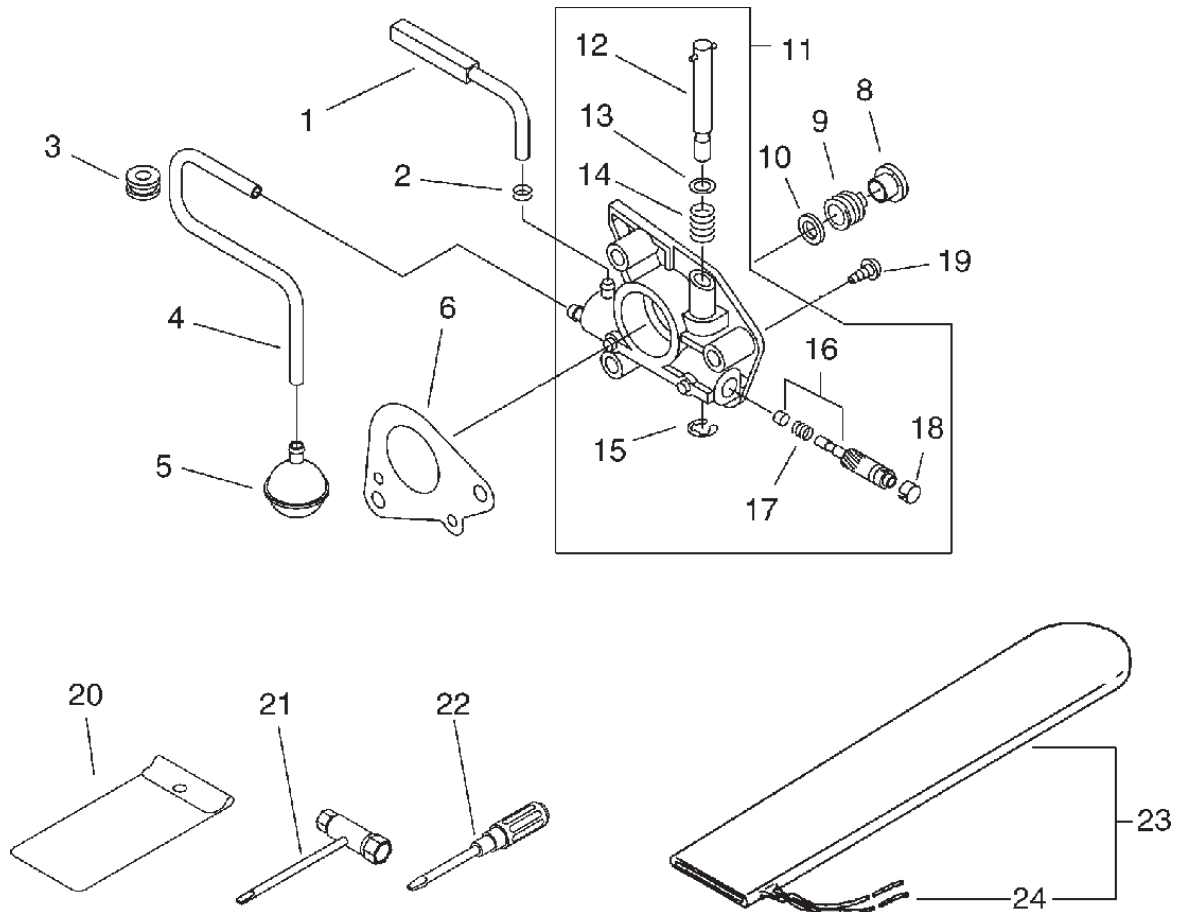
KEY	LV	PART NUMBER	Q'TY	DESCRIPTION	REMARKS
26		91100-06008	1	BOLT	
27		A319-000080	1	STAY, MUFFLER	
28		900105-06014	1	BOLT, H.S. 6*14	
29		900105-05016	2	BOLT, H.S. 5*16	
30		P021-013461	1	MUFFLER ASY	
32	+	145510-35431	1	GASKET, MUFFLER	



KEY	LV	PART NUMBER	Q'TY	DESCRIPTION	REMARKS
1		A425-000000	1	SPARKPLUG	
2		A426-000010	1	TERMINAL, SPARKPLUG	
3		A427-000013	1	CAP, SPARK PLUG	
4		A411-000182	1	COIL, IGNITION	
5		900162-04030	2	BOLT, H.S. 4*30	
6		A409-000080	1	ROTOR, MAGNETO	
7		900515-00008	1	NUT, FLANGE 8	
8		177234-35430	2	SPRING, RETURN	
9		900603-00005	2	WASHER 5	
10		177218-19830	2	PAWL, STARTER	
11		177247-04630	2	SPACER, RATCHET	
12		V203-000090	2	BOLT, 5	
13		A172-000062	1	COVER, FAN	
14		P021-013482	1	STARTER ASY	
15	+	900238-05012	1	SCREW 5*12	
16	+	177214-02830	1	WASHER	
17	+	177226-19830	1	ROPE, STARTER	
18	+	A506-000100	1	REEL, ROPE	
19	+	177221-35430	1	PLATE, STARTER	
20	+	177220-35430	1	SPRING, REWIND	
21	+	177228-35431	1	GRIP, STARTER	
22	+	900296-03014	1	SCREW 3*14	
23	+	177227-37930	1	GUIDE, ROPE	
24		X502-000410	1	LABEL, ECHO	
25		900238-05018	3	SCREW 5*18	
26		V475-002390	1	TUBE	

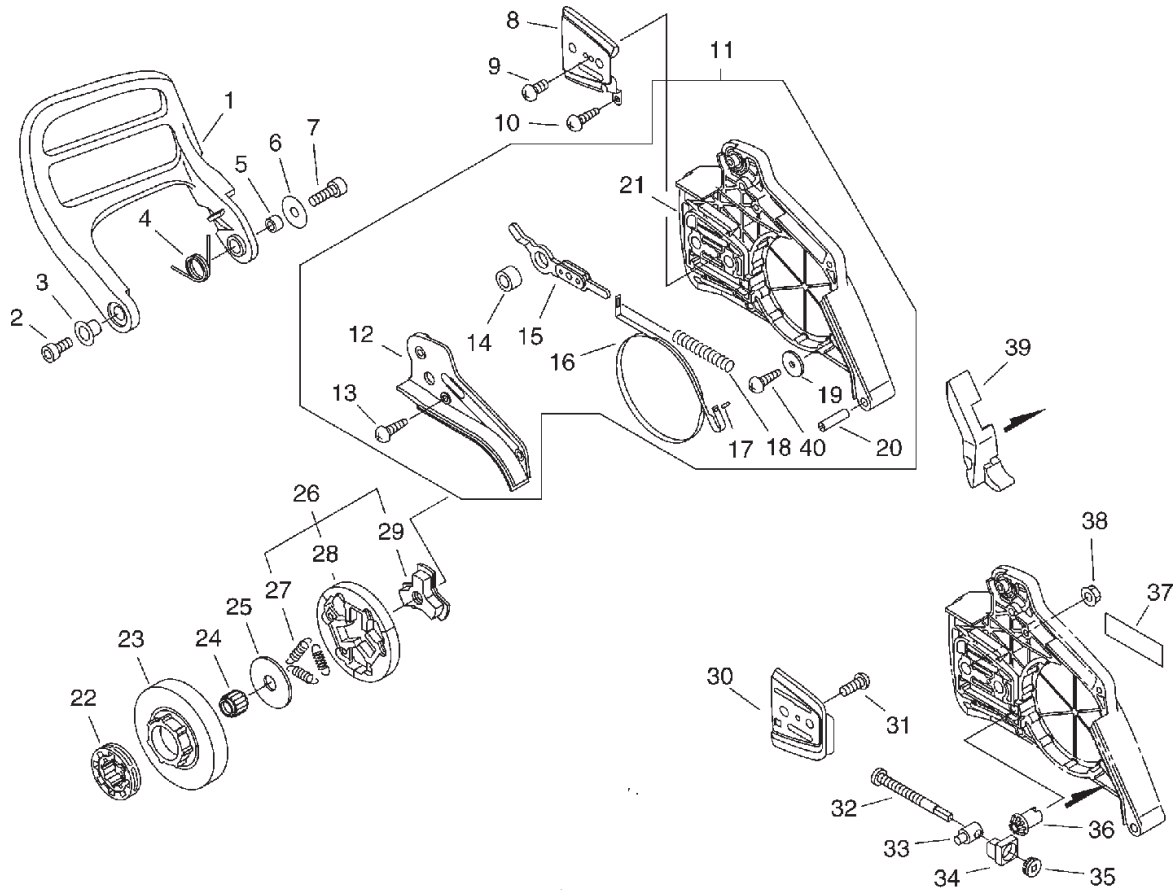


KEY	LV	PART NUMBER	Q'TY	DESCRIPTION	REMARKS
1		351155-35430	1	COVER, HANDLE (BL)	
2		900253-04014	1	SCREW 4*14	
3		C460-000072	1	LOCKOUT, THROTTLE	
4		C450-000212	1	CONTROL, THROTTLE	
5		V452-000260	1	SPRING, TORSION	
6		900345-40030	1	PIN, SPRING 4*30SUS	
7		100921-38330	2	CUSHION	
8		100915-32530	2	BOLT	
9		100918-38330	2	CAP, CUSHION	
10		100910-38330	2	CUSHION	
11		351111-19830	1	GRIP, HANDLE	
12		132115-44330	1	GROMMET	
13		132010-38331	1	PIPE	
14		132013-26630	1	CLIP	
15		131205-19831	1	STRAINER, FUEL	
16		P021-012502	1	HANDLE ASY, REAR	
17	+	131300-56431	1	VENT ASSEMBLY, FUEL	
18	+	131328-40630	1	COVER, VENT	
19	+	132013-26630	1	CLIP	
20	+	132012-39331	1	PIPE	
22		P021-010601	1	FUEL CAP ASY	
23	+	A365-000050	1	CONNECTOR, CAP	
24	+	V581-000610	1	RING, O	
25		91145-05020	2	BOLT HS TAPPING	
26		C400-000011	1	HANDLE, FRONT	
27		91145-05016	2	BOLT HS TAPPING	

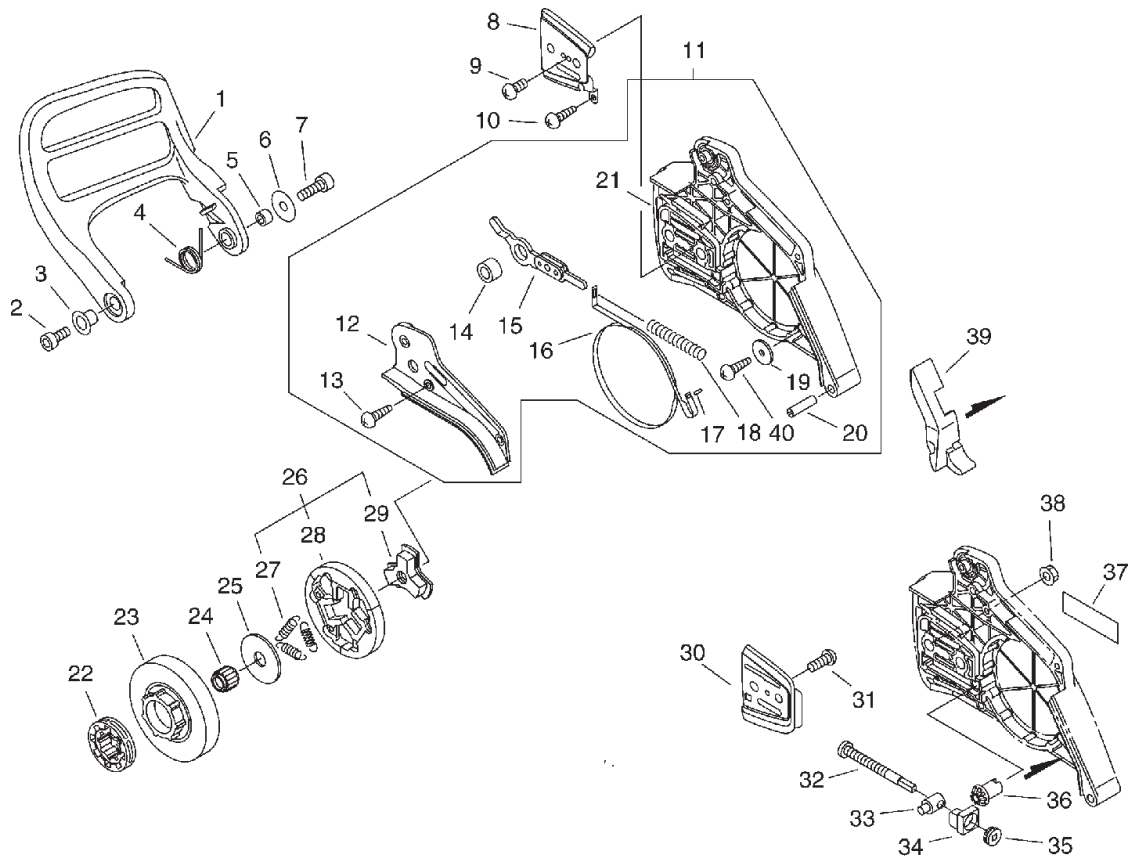


KEY	LV	PART NUMBER	Q'TY	DESCRIPTION	REMARKS
1		437229-38331	1	PIPE	
2		132013-26630	1	CLIP	
3		132115-12330	1	GROMMET	
4		437210-38330	1	PIPE, OIL	
5		436205-14730	1	STRAINER, OIL	
6		175310-38330	1	PLATE, SEAL	
8		V356-000352	1	COLLAR,10	
9		V652-000030	1	GEAR,WORM	
10		V308-000030	1	WASHER,CIRCULAR 11	
11		C022-000030	1	AUTO-OILER ASSEMBLY	
12	+	437016-38330	1	NEEDLE, ADJUST	
13	+	437029-37330	1	WASHER	
14	+	437015-37330	1	SPRING	
15	+	123127-15030	1	RING	
16	+	437024-37330	1	PLUNGER	
17	+	437019-38330	1	SPRING	
18	+	437062-38330	1	CAP, OIL PUMP	
19		900223-04016	2	SCREW	
20		X698-000050	1	TOOL,CASE	
21		X602-000080	1	TOOL,WRENCH	
22		895811-00130	1	DRIVER, SCREW 125	
23		P021-014290	1	SCABBARD,CHAIN	
24	+	898568-14530	1	ROPE	

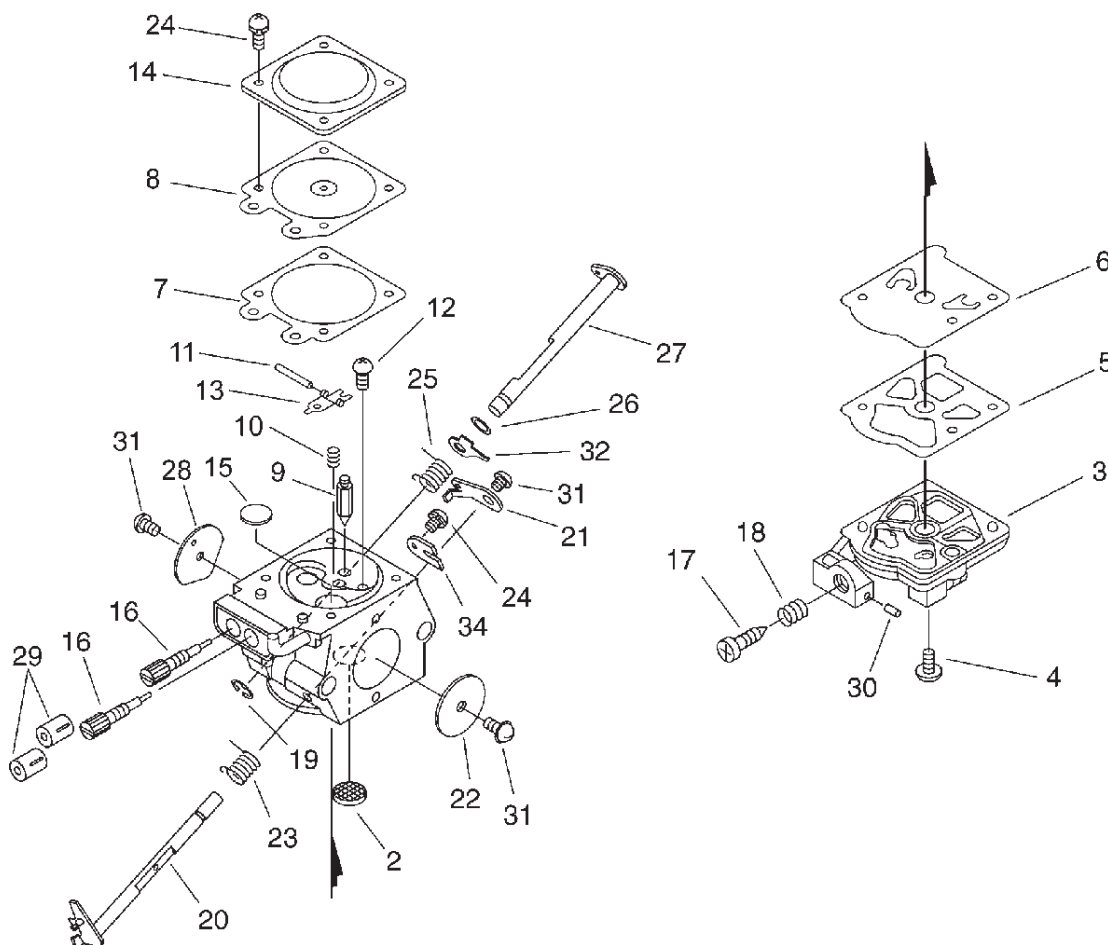




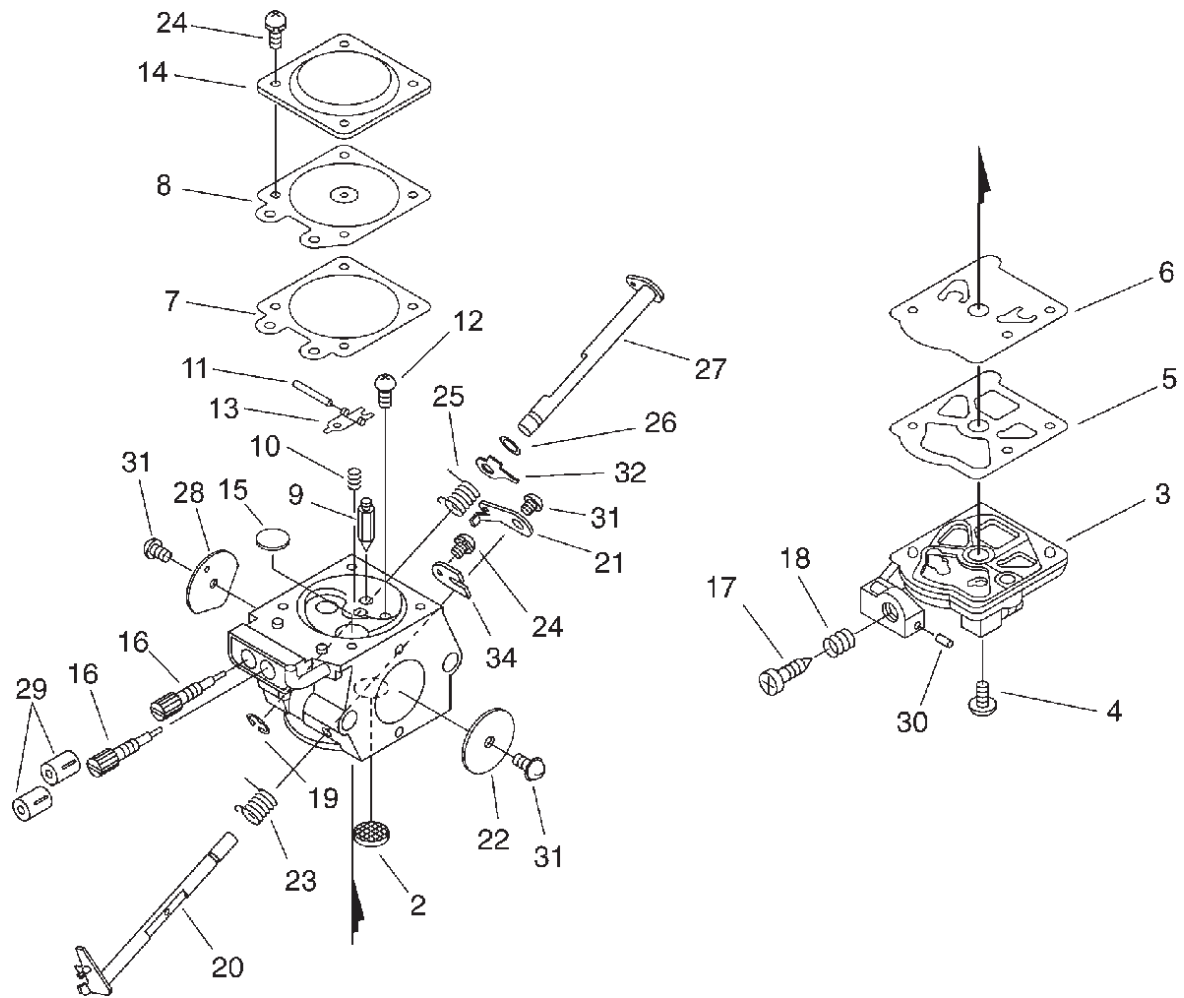
KEY	LV	PART NUMBER	Q'TY	DESCRIPTION	REMARKS
1		C320-000141	1	LEVER, BRAKE	
2		900105-05030	1	BOLT, H.S. 5*30	
3		V356-000300	1	COLLAR,10	
4		V452-001281	1	SPRING,TORSION	
5		433116-35430	1	SPACER 8	
6		177214-03930	1	WASHER	
7		V202-000120	1	BOLT,4	
8		C305-000001	1	PLATE,SPROCKET GUARD	
9		91325-03005	1	SCREW	
10		V202-000060	1	BOLT,4	
11		C032-000322	1	BRAKE ASY, CHAIN	
12	+	C345-000241	1	COVER,BRAKE	
13	+	V202-000060	3	BOLT,4	
14	+	433116-35430	1	SPACER 8	
15	+	C334-000090	1	CONNECTOR, BRAKE	
16	+	C328-000110	1	BAND, BRAKE	
17	+	900330-30120	1	PIN	
18	+	V450-000070	1	SPRING,COMPRESSION	
19	+	351249-06960	1	WASHER	
20	+	900342-60025	1	PIN, SPRING	
21	+	C300-000352	1	GUARD, SPROCKET	
40	+	900253-04016	1	SCREW 4*16	
22		175114-12530	1	SPROCKET, RIM .325	
23		A556-000440	1	DRUM, CLUTCH	
24		V555-000070	1	BEARING,NEEDLE 10	
25		175019-39430	1	PLATE, CLUTCH	
26		A056-000180	1	CLUTCH ASY	



KEY	LV	PART NUMBER	Q'TY	DESCRIPTION	REMARKS
27	+	V451-000500	3	SPRING,TENSION	
28	+	P021-007050	1	CLUTCH SHOE SET	
29	+	A552-000070	1	HUB, CLUTCH	
30		433013-35432	1	PLATE, GUIDE (INNER)	
31		900220-04006	1	SCREW 4*6	
32		V203-000110	1	BOLT,5	
33		C309-000030	1	TENSIONER,CHAIN	
34		V355-000270	1	COLLAR,8	
35		V651-000011	1	GEAR,BEVEL	
36		V651-000001	1	GEAR,BEVEL	
37		X502-000340	1	LABEL,ECHO	
38		433019-12330	2	NUT, FLANGE 8	
39		C302-000000	1	PAD, GUARD	



KEY	LV	PART NUMBER	QTY	DESCRIPTION	REMARKS
		A021-001471	1	CARBURETOR,DIAPHRAGM	
2		123126-10631	1	SCREEN, INLET	
3		123124-38330	1	COVER, FUEL PUMP	
4		123110-03930	1	SCREW, PUMP COVER	
5		123125-15030	1	GASKET, FUEL PUMP	
6		123112-15030	1	DIAPHRAGM, FUEL PUMP	
7		123140-03930	1	GASKET, M. DIAPHRAGM	
8		P003-001850	1	DIAPHRAGM, METERING	
9		123137-19830	1	VALVE, INLET NEEDLE	
10		123122-39330	1	SPRING, METER. LEVER	
11		123138-03930	1	PIN, METERING LEVER	
12		123139-03930	1	SCREW, M. LEVER PIN	
13		123123-03930	1	LEVER, METERING	
14		123142-03930	1	COVER, M. DIAPHRAGM	
15		123146-10631	1	PLUG, WELCH	
16		123120-03661	2	NEEDLE	
17		123134-04260	1	SCREW, IDLE ADJUST	
18		123133-04260	1	SPRING, IDLE ADJUST	
19		123127-15030	1	RING	
20		P003-001810	1	SHAFT ASY,THROTTLE	
21		P003-001780	1	LEVER, THROTTLE	
22		123116-10530	1	VALVE, THROTTLE	
23		123113-37530	1	SPRING, THROTTLE RTN	
24		123130-02960	5	SCREW	
25		P003-000140	1	SPRING	
26		123149-26030	1	WASHER	
27		P003-000150	1	CHOKE, SHAFT	



KEY	LV	PART NUMBER	Q'TY	DESCRIPTION	REMARKS
28		P003-002200	1	VALVE, CHOKE	
29		P003-000010	2	LIMITER CAP	
30		123178-15030	1	PLUG, FRICTION	
31		123114-38830	3	SCREW	
32		P003-001510	1	LEVER-FAST IDLE	
34		123127-03930	1	CLIP, THROTTLE SHAFT	

**Index**

<b>Parts Number</b>	<b>Key No.</b>	<b>Parts Number</b>	<b>Key No.</b>	<b>Parts Number</b>	<b>Key No.</b>
100011-38930	1 - 9	130430-38330	2 - 11	437062-38330	5 - 18
100012-35430	1 - 12	130510-39932	1 - 2	437210-38330	5 - 4
100013-35430	1 - 10	131205-19831	4 - 15	437229-38331	5 - 1
100014-19730	1 - 13	131300-56431	4 - 17	890157-39130	2 - 23
100015-03931	1 - 11	131328-40630	4 - 18	890345-39230	1 - 49
100142-39130	1 - 14	132010-38331	4 - 13	895811-00130	5 - 22
100215-03930	1 - 35	132012-39331	4 - 20	898568-14530	5 - 24
100910-38330	4 - 10	132013-26630	4 - 14	900105-05012	1 - 31
100915-32530	4 - 8	132013-26630	4 - 19	900105-05016	2 - 29
100915-33930	1 - 29	132013-26630	5 - 2	900105-05030	6 - 2
100918-38330	1 - 28	132115-12330	5 - 3	900105-06014	2 - 28
100918-38330	4 - 9	132115-44330	4 - 12	900162-04016	1 - 42
100921-38330	1 - 30	145510-35431	2 - 32	900162-04030	3 - 5
100921-38330	4 - 7	162010-38332	2 - 13	900162-05014	1 - 25
123110-03930	7 - 4	163400-38330	2 - 24	900162-05022	1 - 7
123112-15030	7 - 6	163413-38930	2 - 17	900162-05050	2 - 10
123113-37530	7 - 23	175019-39430	6 - 25	900162-05055	1 - 6
123114-38830	7 - 31	175114-12530	6 - 22	900220-04006	2 - 12
123116-10530	7 - 22	175310-38330	5 - 6	900220-04006	6 - 31
123120-03661	7 - 16	177214-02830	3 - 16	900223-04016	5 - 19
123122-39330	7 - 10	177214-03930	6 - 6	900238-05012	1 - 1
123123-03930	7 - 13	177218-19830	3 - 10	900238-05012	3 - 15
123124-38330	7 - 3	177220-35430	3 - 20	900238-05016	1 - 38
123125-15030	7 - 5	177221-35430	3 - 19	900238-05016	1 - 38
123126-10631	7 - 2	177226-19830	3 - 17	900238-05018	3 - 25
123127-03930	7 - 34	177227-37930	3 - 23	900238-05025	1 - 23
123127-15030	5 - 15	177228-35431	3 - 21	900253-04014	4 - 2
123127-15030	7 - 19	177234-35430	3 - 8	900253-04016	6 - 40
123130-02960	7 - 24	177247-04630	3 - 11	900296-03014	3 - 22
123133-04260	7 - 18	178810-14534	2 - 19	900330-30120	6 - 17
123134-04260	7 - 17	351111-19830	4 - 11	900342-60025	6 - 20
123137-19830	7 - 9	351155-35430	4 - 1	900345-40030	4 - 6
123138-03930	7 - 11	351249-06960	6 - 19	900515-00008	3 - 7
123139-03930	7 - 12	433011-19831	1 - 37	900603-00005	3 - 9
123140-03930	7 - 7	433013-35432	6 - 30	900721-00025	1 - 46
123142-03930	7 - 14	433019-12330	6 - 38	900888-36201	1 - 17
123146-10631	7 - 15	433116-35430	6 - 5	91100-06008	2 - 26
123149-26030	7 - 26	433116-35430	6 - 14	91145-05016	4 - 27
123178-15030	7 - 30	436018-38330	1 - 36	91145-05020	4 - 25
123181-39130	2 - 22	436018-38330	1 - 36	91325-03005	6 - 9
130000-38331	2 - 1	436019-38330	1 - 41	A021-001471	2 - 6
130010-38330	2 - 4	436114-13930	1 - 43	A021-001471	7 -
130016-39930	1 - 3	436205-14730	5 - 5	A056-000180	6 - 26
130020-33330	2 - 3	437015-37330	5 - 14	A160-000940	1 - 24
130110-38330	2 - 5	437016-38330	5 - 12	A172-000062	3 - 13
130310-38331	2 - 8	437019-38330	5 - 17	A204-000004	2 - 9
130338-32430	1 - 21	437024-37330	5 - 16	A235-000020	1 - 18
130405-38332	2 - 7	437029-37330	5 - 13	A241-000101	2 - 25

**Index**

<b>Parts Number</b>	<b>Key No.</b>	<b>Parts Number</b>	<b>Key No.</b>	<b>Parts Number</b>	<b>Key No.</b>
A319-000080	2 - 27	P021-013461	2 - 30		
A365-000050	1 - 45	P021-013482	3 - 14		
A365-000050	4 - 23	P021-014271	1 - 20		
A409-000080	3 - 6	P021-014290	5 - 23		
A411-000182	3 - 4	P021-016160	1 - 8		
A425-000000	3 - 1	V100-000131	1 - 5		
A426-000010	3 - 2	V150-001740	1 - 27		
A427-000013	3 - 3	V202-000060	6 - 10		
A439-000310	2 - 18	V202-000060	6 - 13		
A500-000491	3 - NA	V202-000120	6 - 7		
A506-000100	3 - 18	V203-000090	3 - 12		
A552-000070	6 - 29	V203-000110	6 - 32		
A556-000440	6 - 23	V308-000030	5 - 10		
C022-000030	5 - 11	V341-000080	1 - 33		
C032-000322	6 - 11	V355-000270	6 - 34		
C300-000321	1 - 39	V356-000300	6 - 3		
C300-000352	6 - 21	V356-000352	5 - 8		
C302-000000	6 - 39	V420-001130	2 - 2		
C304-000030	1 - 32	V450-000070	6 - 18		
C305-000001	6 - 8	V451-000500	6 - 27		
C309-000030	6 - 33	V452-000260	4 - 5		
C310-000000	1 - 26	V452-001281	6 - 4		
C320-000141	6 - 1	V456-000230	6 - 41		
C328-000110	6 - 16	V471-001240	2 - 20		
C334-000090	6 - 15	V475-002390	3 - 26		
C345-000241	6 - 12	V505-000011	1 - 16		
C400-000011	4 - 26	V555-000070	6 - 24		
C450-000212	4 - 4	V581-000610	4 - 24		
C454-000150	2 - 14	V651-000001	6 - 36		
C460-000072	4 - 3	V651-000011	6 - 35		
C483-000000	2 - 15	V652-000030	5 - 9		
P003-000010	7 - 29	X502-000340	6 - 37		
P003-000140	7 - 25	X502-000410	3 - 24		
P003-000150	7 - 27	X503-008960	1 - 19		
P003-001510	7 - 32	X505-000180	1 - 48		
P003-001780	7 - 21	X524-001900	1 - 47		
P003-001810	7 - 20	X602-000080	5 - 21		
P003-001850	7 - 8	X698-000050	5 - 20		
P003-002200	7 - 28				
P021-007050	6 - 28				
P021-007630	1 - 44				
P021-010601	4 - 22				
P021-012420	1 - 4				
P021-012441	1 - 15				
P021-012471	1 - 34				
P021-012490	2 - 16				
P021-012502	4 - 16				
P021-012550	1 - 40				

# YAMABIKO CORPORATION

7-2 SUEHIROCHO 1-CHOME, OHME, TOKYO 198-8760, JAPAN  
PHONE: 81-428-32-6118. FAX: 81-428-32-6145.

