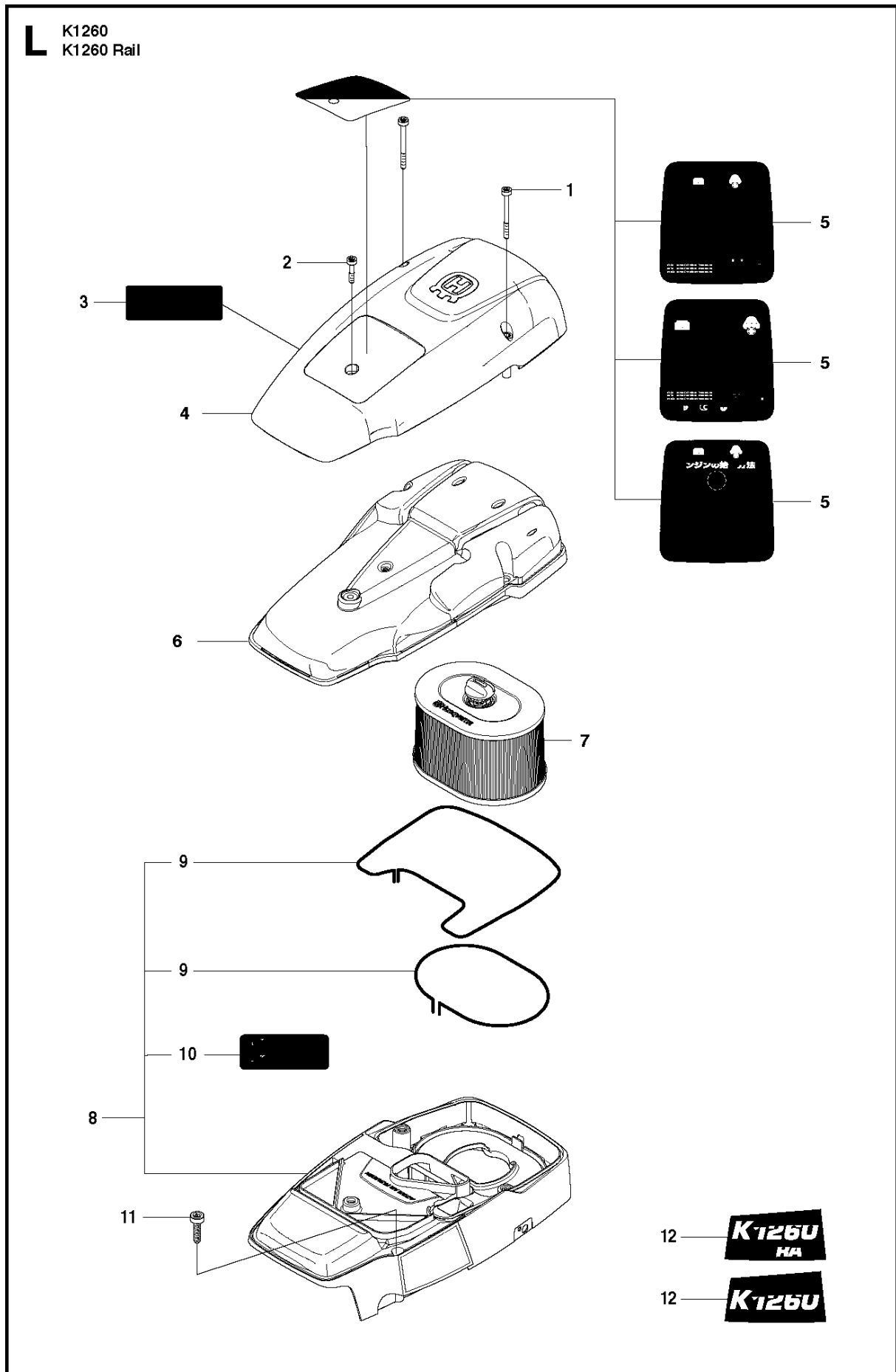




SPARE PARTS LIST

POWER CUTTERS

K1260, 2010-10

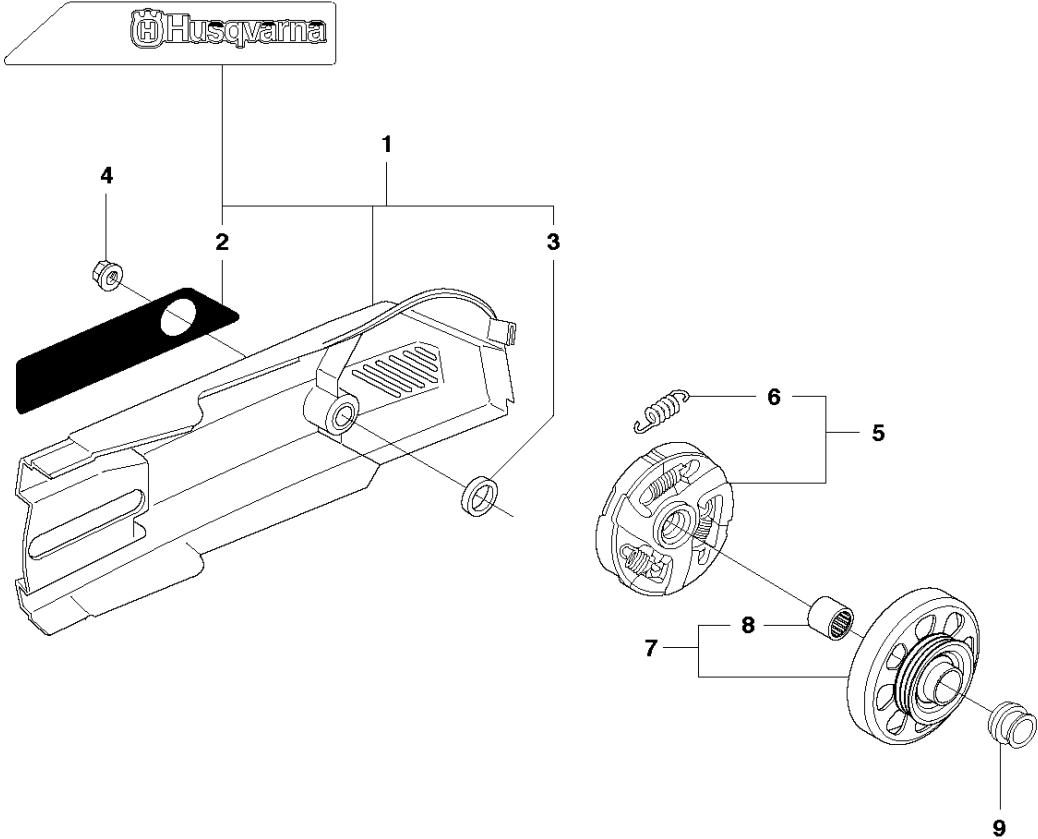


AIR FILTER

K1260, 2010-10

| Ref | Part No | Description | Remark | QTY KIT |
|-----|--------------|----------------|--------------|---------|
| 1 | 503 21 53-56 | SCREW ITXSCM | | 2 |
| 2 | 503 21 53-26 | SCREW ITXSCM | | 1 |
| 3 | 525 76 35-02 | DECAL | | 1 |
| 5 | 525 81 81-03 | DECAL | USA | 1 |
| 5 | 525 81 81-04 | DECAL | Canada, CE | 1 |
| 5 | 576 12 09-01 | DECAL | Japan | 1 |
| 4 | 525 32 18-01 | COVER | | 1 |
| 6 | 525 32 16-01 | FILTER COVER | | 1 |
| 7 | 510 24 41-01 | AIR FILTER | | 1 |
| 8 | 576 55 32-01 | CYLINDER COVER | Incl. 9 - 10 | 1 |
| 9 | 525 61 70-04 | SEALING | | 2 |
| 10 | 544 87 38-01 | LABEL | | 1 |
| 11 | 503 21 53-30 | SCREW ITXSCM | | 5 |
| 12 | 525 81 69-01 | LABEL | K1260 | 1 |
| 12 | 525 81 69-02 | LABEL | K1260 Rail | 1 |

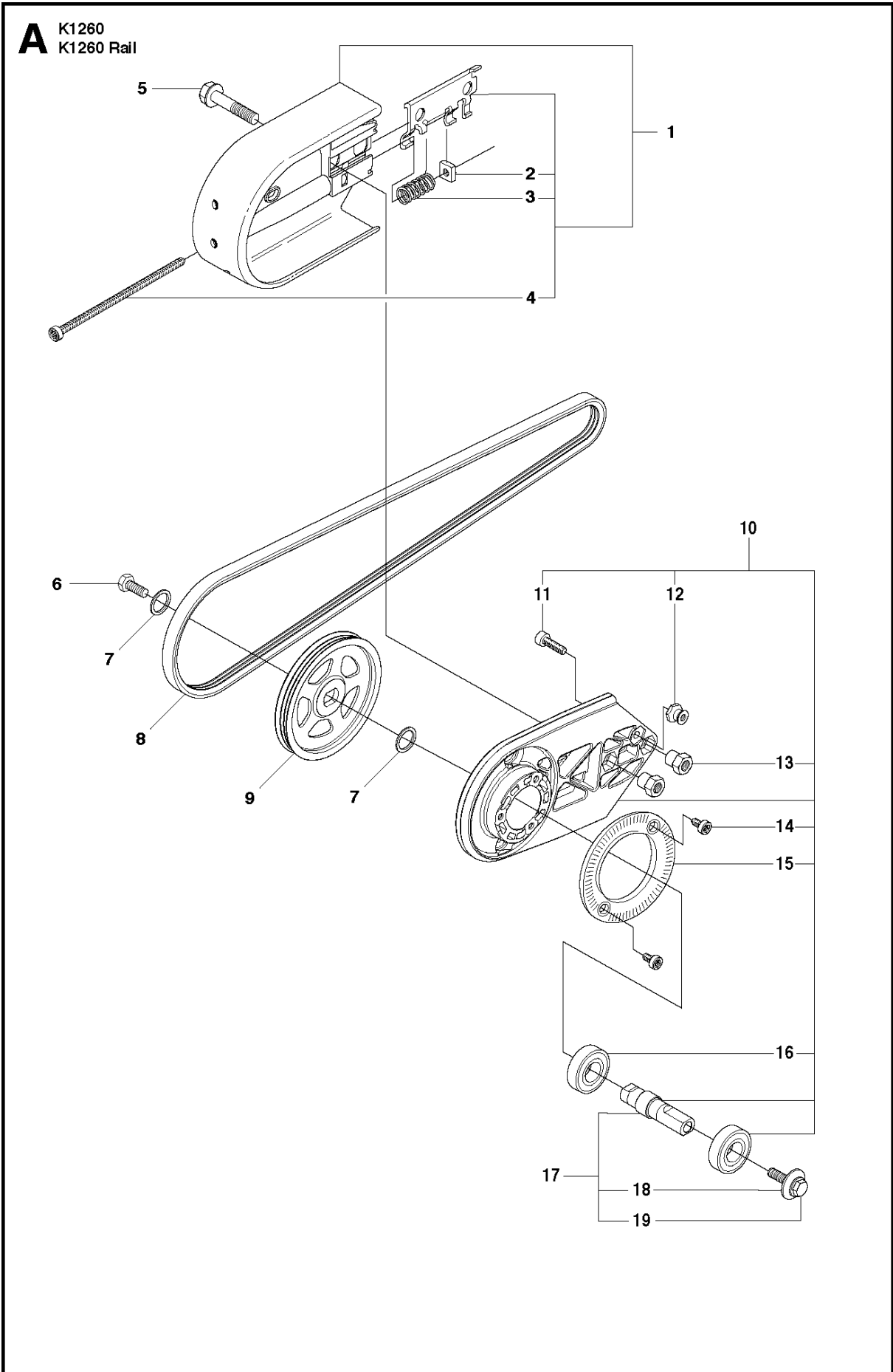
C K1260
K1260 Rail



BELT GUARD

K1260, 2010-10

| Ref | Part No | Description | Remark | QTY KIT |
|-----|--------------|----------------|-----------------|---------|
| 1 | 506 27 17-03 | BELT GUARD | Incl. 2, 3 | 1 |
| 2 | 544 87 36-01 | LABEL | | 1 |
| 3 | 506 26 84-01 | SPACING SLEEVE | | 1 |
| 4 | 503 22 00-01 | HEXAGON NUT | | 1 |
| 5 | 503 14 49-01 | CLUTCH ASSY | Incl. 6 | 1 |
| 6 | 503 14 51-01 | CLUTCH SPRING | | 3 |
| 7 | 540 05 28-01 | DRIVE SPROCKET | "14"". Incl. 8" | 1 |
| 7 | 540 05 28-03 | DRIVE SPROCKET | "16"". Incl. 8" | 1 |
| 8 | 503 25 38-01 | NEEDLE BEARING | | 1 |
| 9 | 506 28 59-01 | SPACING SLEEVE | | 1 |

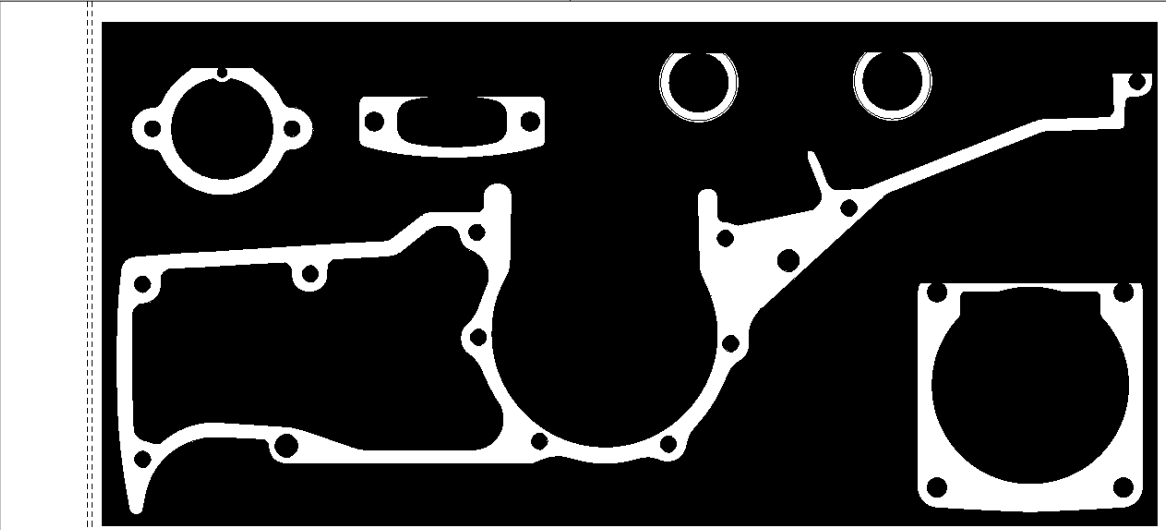
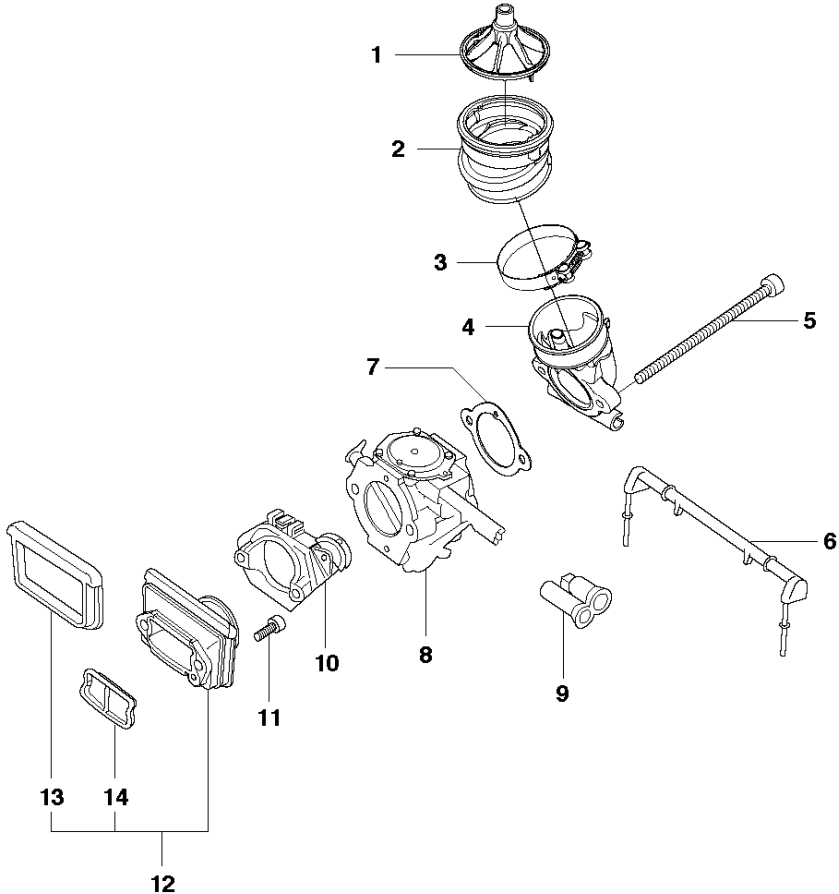


BELT GUARD & PULLEY

K1260, 2010-10

| Ref | Part No | Description | Remark | QTY KIT |
|-----|--------------|--------------------|---------------------------|---------|
| 1 | 506 27 92-06 | BELT GUARD | Incl. 2 - 4 | 1 |
| 1 | 506 27 92-07 | BELT GUARD | "Rail 14""", Incl. 2 - 4" | 1 |
| 1 | 506 27 92-08 | BELT GUARD | "Rail 16""", Incl. 2 - 4" | 1 |
| 2 | 506 40 93-01 | NUT | | 1 |
| 3 | 506 26 68-01 | COMPRESSION SPRING | | 1 |
| 4 | 503 20 72-05 | SCREW CITXSCM | | 1 |
| 5 | 506 28 44-01 | SCREW EHHFM | | 2 |
| 6 | 503 20 00-45 | SCREW EHHFM | | 1 |
| 7 | 503 23 01-04 | WASHER | | 2 |
| 8 | 544 97 63-01 | BELT | "14""", 16""", Rail 14""" | 1 |
| 8 | 544 97 63-02 | BELT | "Rail 16""" | 1 |
| 9 | 578 11 05-01 | PULLEY | | 1 |
| 10 | 506 39 42-08 | BEARING HOUSING | Incl. 11 - 15 | 1 |
| 11 | 505 57 41-16 | SCREW ITXSCM | | 1 |
| 12 | 506 14 32-01 | TORSION STOP | | 1 |
| 13 | 506 28 73-01 | NUT | | 2 |
| 14 | 503 21 53-10 | SCREW ITXSCM | | 2 |
| 15 | 506 28 84-01 | SCREEN | | 1 |
| 16 | 583 95 33-01 | BALL BEARING | | 2 |
| 17 | 506 29 83-65 | SHAFT | Incl. 18 - 19 | 1 |
| 18 | 506 13 95-11 | WASHER | | 1 |
| 19 | 506 13 96-01 | SCREW EHHFM | | 1 |

M K1260
K1260 Rail

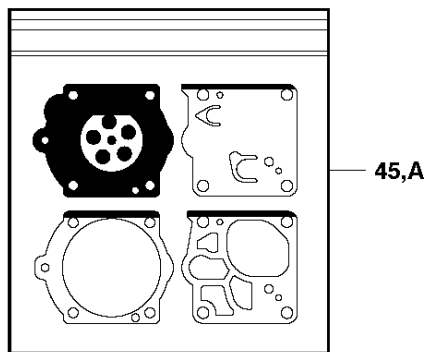
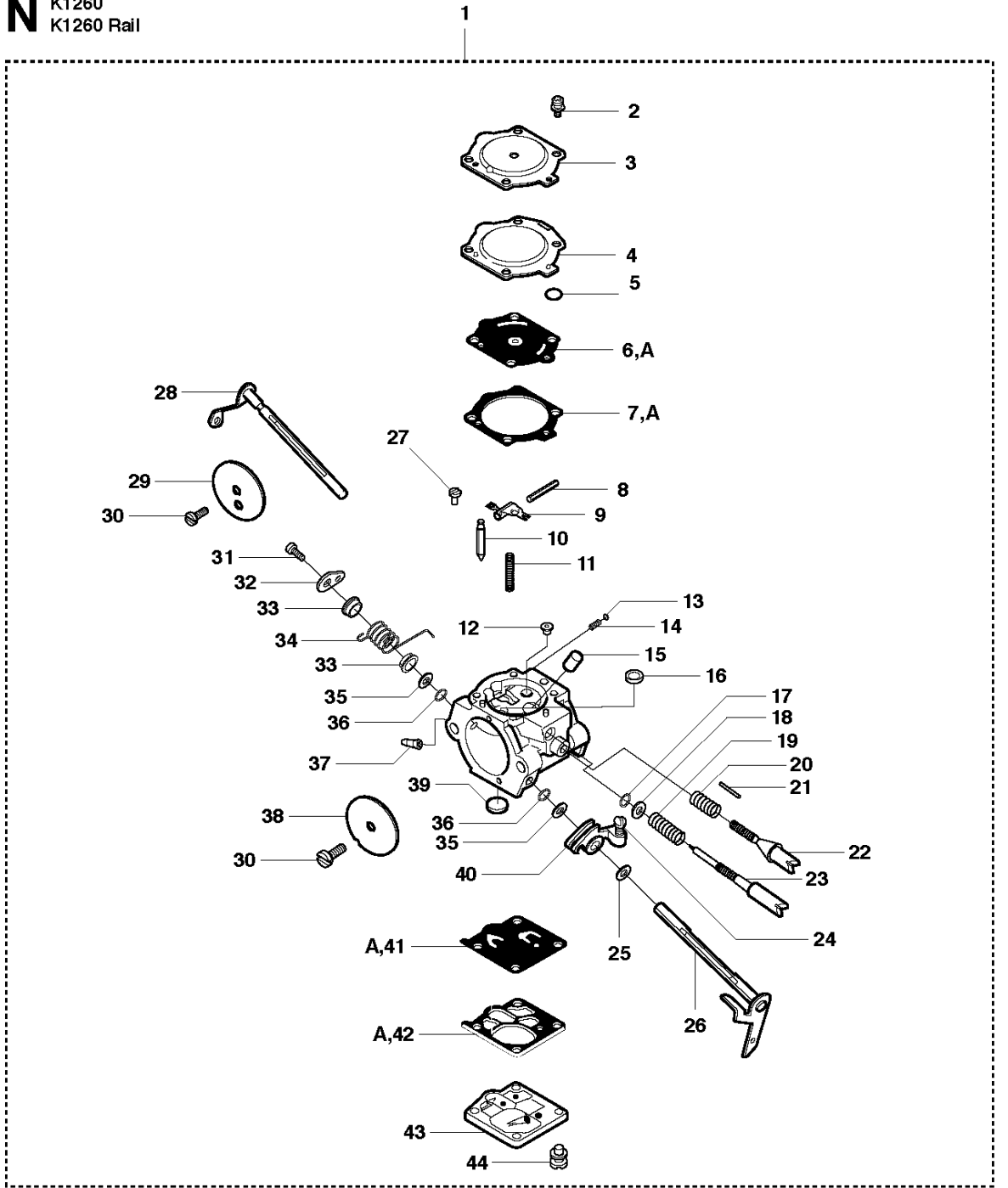


CARBURETOR

K1260, 2010-10

| Ref | Part No | Description | Remark | QTY KIT |
|-----|--------------|--------------|------------------|---------|
| 18 | 503 13 45-01 | CRANKCASE | | 1 |
| 19 | 503 13 46-01 | GASKET | | 1 |
| 1 | 510 24 39-01 | FILTER | | 1 |
| 2 | 510 24 38-01 | BELLOWS | | |
| 3 | 505 28 33-07 | HOSE CLAMP | | 1 |
| 4 | 510 24 37-01 | INLET | | 1 |
| 5 | 504 90 94-65 | SCREW ITXSCT | | 2 |
| 6 | 506 25 04-01 | SUPPORT | | 1 |
| 7 | 506 27 43-02 | GASKET | | 1 |
| 8 | 503 28 12-70 | CARBURETTOR | | 1 |
| 9 | 506 25 46-01 | CHISEL GUIDE | | 1 |
| 10 | 506 28 97-01 | FLANGE | | 1 |
| 11 | 503 21 53-20 | SCREW ITXSCM | | 2 |
| 12 | 506 27 52-02 | FLANGE | Incl. 13 - 14 | 1 |
| 13 | 503 14 37-01 | SEALING | | 1 |
| 14 | 506 31 38-01 | INSERT | | 1 |
| 15 | 506 29 24-03 | GASKET KIT | Incl. 7, 16 - 19 | 1 |
| 16 | 503 13 13-05 | GASKET | | 1 |
| 17 | 503 26 02-05 | SEALING RING | | 2 |

N K1260
K1260 Rail

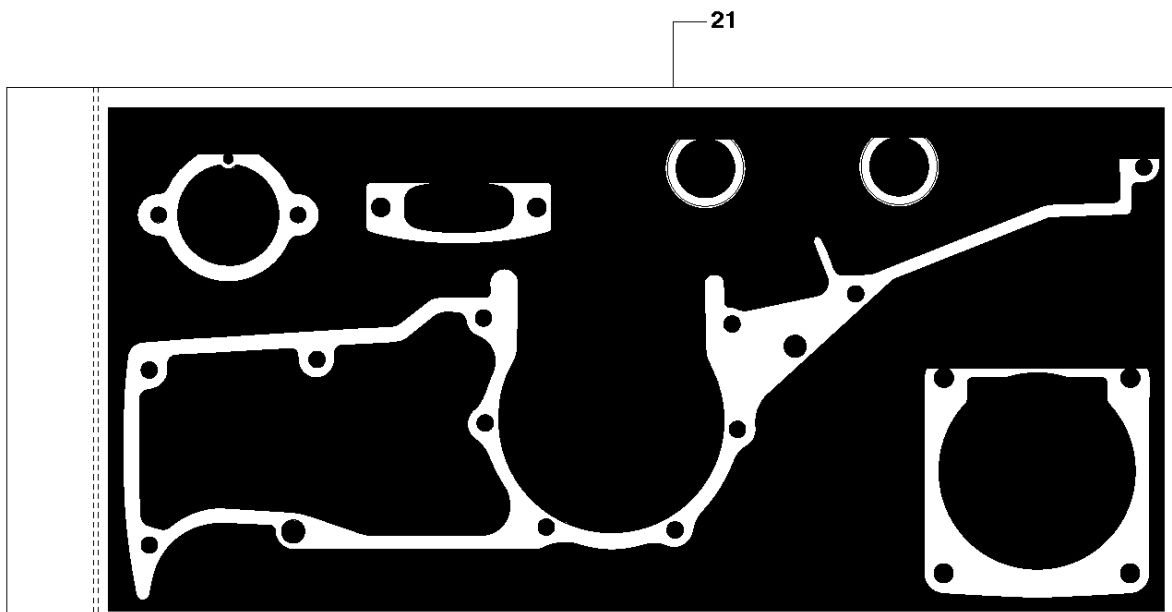
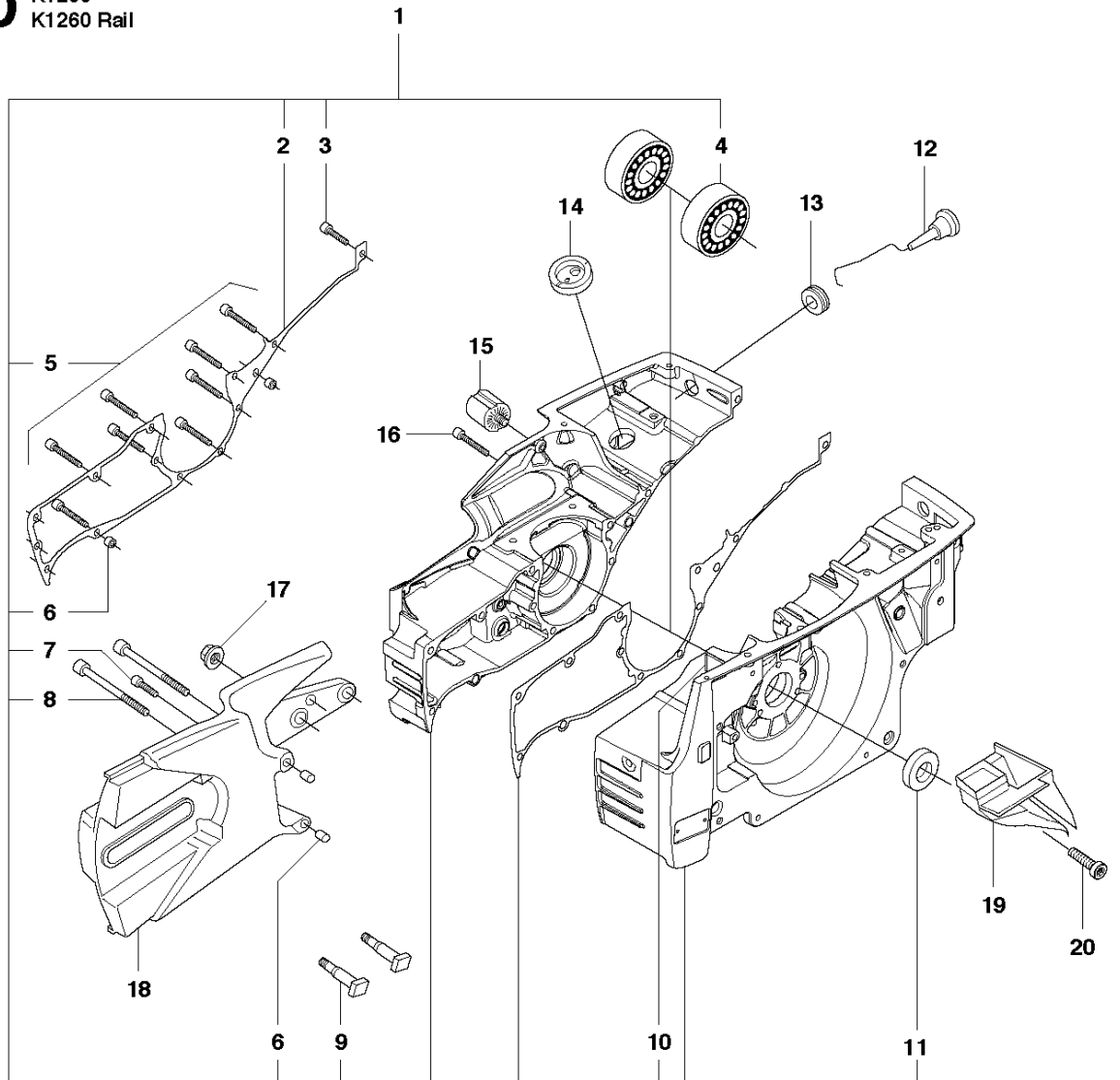


CARBURETOR DETAILS

K1260, 2010-10

| Ref | Part No | Description | Remark | QTY KIT |
|-----|--------------|----------------------|--------|---------|
| 1 | 503 28 12-70 | CARBURETTOR | | 1 |
| 2 | 537 00 31-01 | SCREW | | 1 |
| 3 | 501 69 28-01 | COVER | | 1 |
| 4 | 537 00 29-01 | COVER | | 1 |
| 5 | 537 00 28-01 | RING | | 1 |
| 6 | 503 63 28-01 | DIAPHRAGM ASSY | Kit 45 | 1 |
| 7 | 501 46 75-01 | GASKET | Kit 45 | 1 |
| 8 | 505 31 67-31 | PIN-METERING LEVER | | 1 |
| 9 | 505 31 67-34 | LEVER | | 1 |
| 10 | 503 56 34-01 | INLET | | 1 |
| 11 | 576 76 90-01 | SPRING | | 1 |
| 12 | 537 15 34-01 | JET | | 1 |
| 13 | 501 46 85-01 | BALL | | 1 |
| 14 | 501 46 84-01 | SPRING | | 1 |
| 15 | 503 97 66-01 | NOZZLE ASSY | | 1 |
| 16 | 503 57 42-01 | PLUG | | 1 |
| 17 | 503 59 55-01 | O-RING | | 1 |
| 18 | 503 59 72-01 | WASHER | | 1 |
| 19 | 505 31 67-37 | SPRING | | 1 |
| 20 | 503 63 31-01 | SPRING | | 1 |
| 21 | 503 52 60-01 | PIN THROTTLE STOP | | 1 |
| 22 | 503 63 29-01 | SCREW IDLE SPEED | | 1 |
| 23 | 503 63 32-01 | NEEDLE IDLE SPEED | | 1 |
| 24 | 503 59 65-01 | SCREW | | 1 |
| 25 | 506 02 83-01 | WASHER | | 1 |
| 26 | 503 59 59-01 | SHAFT ASSY | | 1 |
| 27 | 505 31 67-17 | SCREW | | 1 |
| 28 | 537 00 30-01 | SHAFT ASSY | | 1 |
| 29 | 503 52 58-01 | VALVE CHOKE | | 1 |
| 30 | 530 03 50-15 | SCREW | | 2 |
| 31 | 503 19 22-01 | SCREW PAN HD(M2.5X5) | | 1 |
| 32 | 503 59 56-01 | LEVER | | 1 |
| 33 | 502 10 31-01 | BUSHING | | 2 |
| 34 | 503 52 59-01 | SPRING THROTT RETURN | | 1 |
| 35 | 505 31 67-48 | WASHER | | 2 |
| 36 | 503 56 45-01 | SEAL | | 2 |
| 37 | 503 59 84-01 | FITTING | | 1 |
| 38 | 503 63 24-01 | VALVE THROTTLE | | 1 |
| 39 | 501 66 61-01 | SCREEN | | 1 |
| 40 | 503 59 57-01 | LEVER | | 1 |
| 41 | 503 11 73-01 | DIAPHRAGM PUMP | Kit 45 | 1 |
| 42 | 503 11 72-01 | GASKET | Kit 45 | 1 |
| 43 | 503 59 58-01 | COVER | | 1 |
| 44 | 503 11 75-01 | SCREW | | 1 |
| 45 | 503 59 74-02 | GASKET KIT | | 1 |

D K1260
K1260 Rail

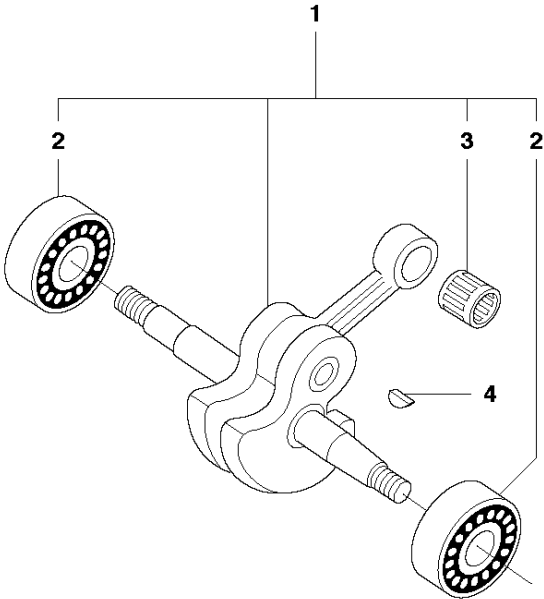


CRANKCASE

K1260, 2010-10

| Ref | Part No | Description | Remark | QTY KIT |
|-----|--------------|-----------------------|----------------------|---------|
| 1 | 576 22 39-01 | CRANKCASE | Incl. 2-11 | 1 |
| 2 | 503 13 45-01 | CRANKCASE | | 1 |
| 3 | 503 21 53-20 | SCREW ITXSCM | | 1 |
| 4 | 503 25 00-02 | BALL BEARING | | 2 |
| 5 | 503 21 53-41 | SCREW ITXSCM | | 9 |
| 6 | 501 27 08-01 | GUIDE BUSHING | | 4 |
| 7 | 503 21 53-21 | SCREW ITXSCM | | 1 |
| 8 | 503 21 53-65 | SCREW ITXSCM | | 2 |
| 9 | 501 81 57-01 | BAR BOLT | | 2 |
| 10 | 721 42 06-00 | SPRING PIN | | 1 |
| 11 | 503 26 02-05 | SEALING RING | | 2 |
| 12 | 506 25 43-01 | CHOKE CONTROL | | 1 |
| 13 | 503 14 54-02 | GROMMET | | 1 |
| 14 | 503 13 20-01 | GROMMET | | 1 |
| 15 | 501 26 97-04 | ANTIVIBRATION ELEMENT | | 1 |
| 16 | 544 21 84-20 | SCREW ITXSCM | | 1 |
| 17 | 503 22 00-01 | HEXAGON NUT | | 1 |
| 18 | 506 24 14-04 | CUTTER ARM | | 1 |
| 19 | 506 23 70-01 | AIR NOZZLE | | 1 |
| 20 | 501 98 10-01 | SCREW ITXSCM | | 1 |
| 21 | 506 29 24-03 | GASKET KIT | Incl. 2, 11, 22 - 24 | 1 |
| 22 | 506 27 43-02 | GASKET | | 1 |
| 23 | 503 13 13-05 | GASKET | | 1 |
| 24 | 503 13 46-01 | GASKET | | 1 |

F K1260
K1260 Rail

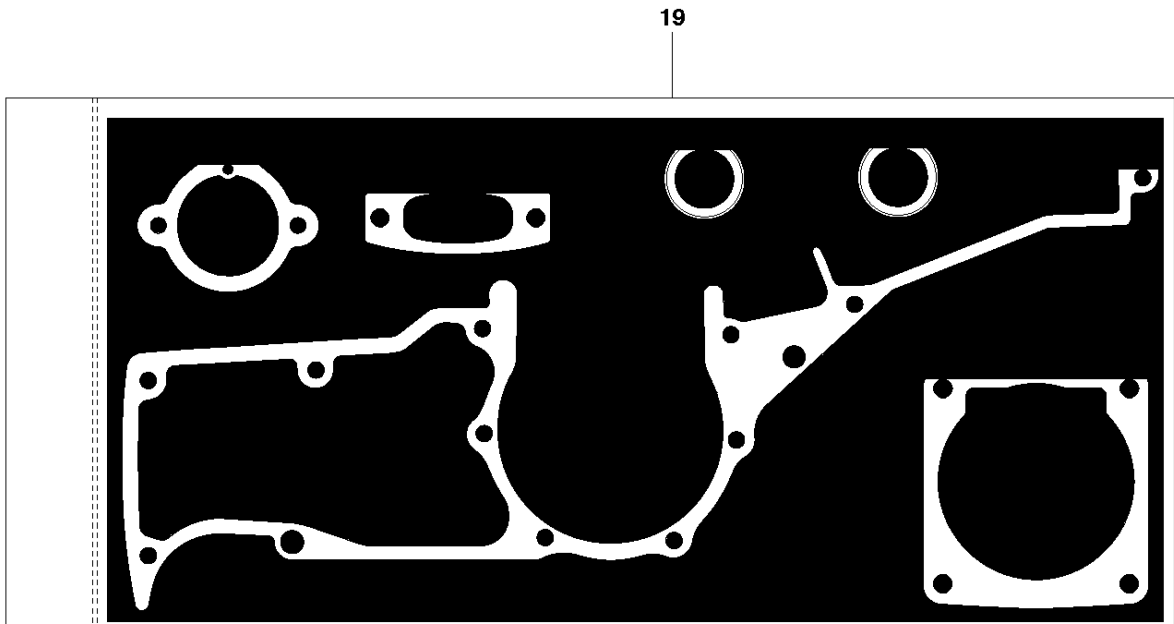
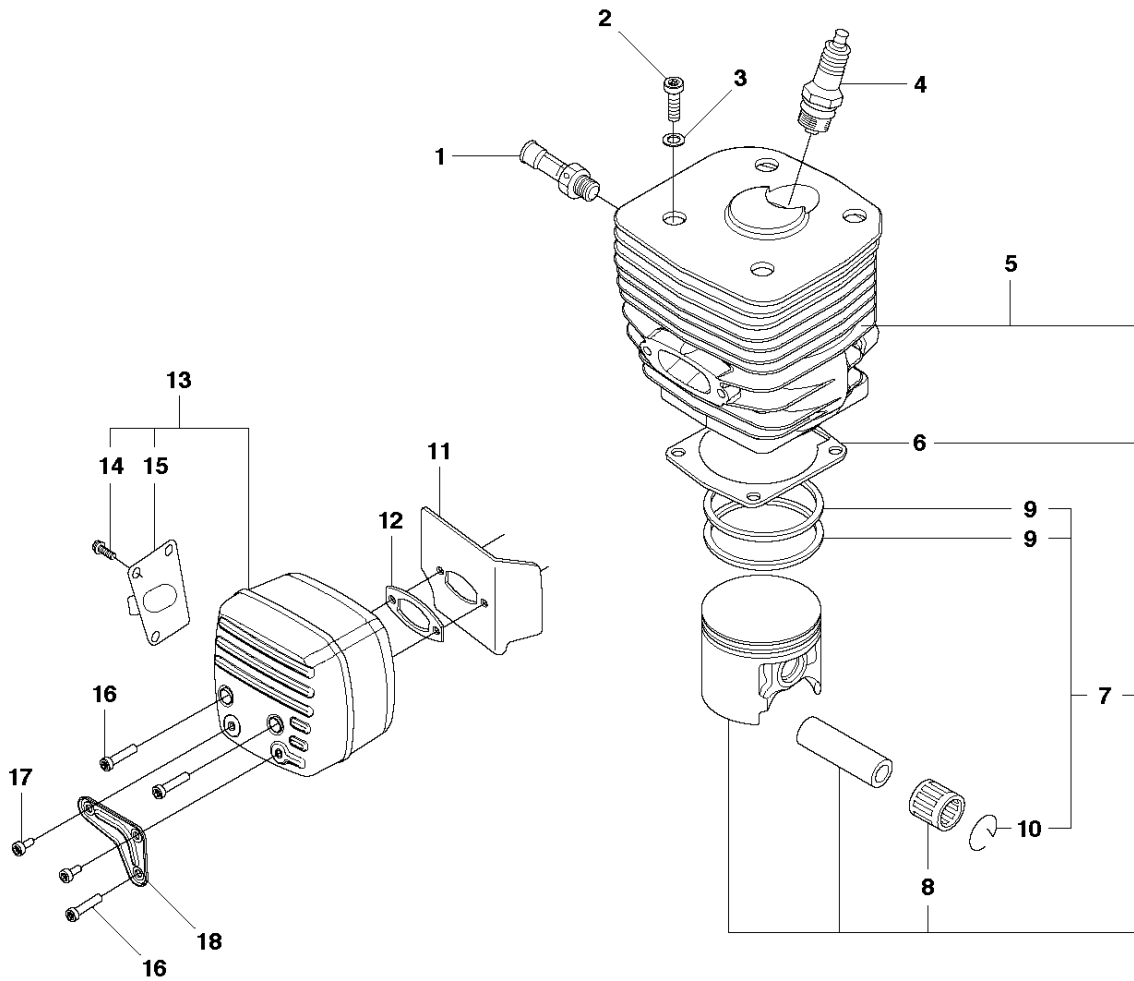


CRANKSHAFT

K1260, 2010-10

| Ref | Part No | Description | Remark | QTY KIT |
|-----|--------------|---------------|------------|---------|
| 1 | 577 34 38-01 | CRANKSHAFT | Incl. 2, 3 | 1 |
| 2 | 503 25 00-02 | BALL BEARING | | 2 |
| 3 | 503 13 29-01 | NEEDLE HOLDER | | 1 |
| 4 | 735 88 06-00 | WOODRUFF KEY | | 1 |

E K1260
K1260 Rail

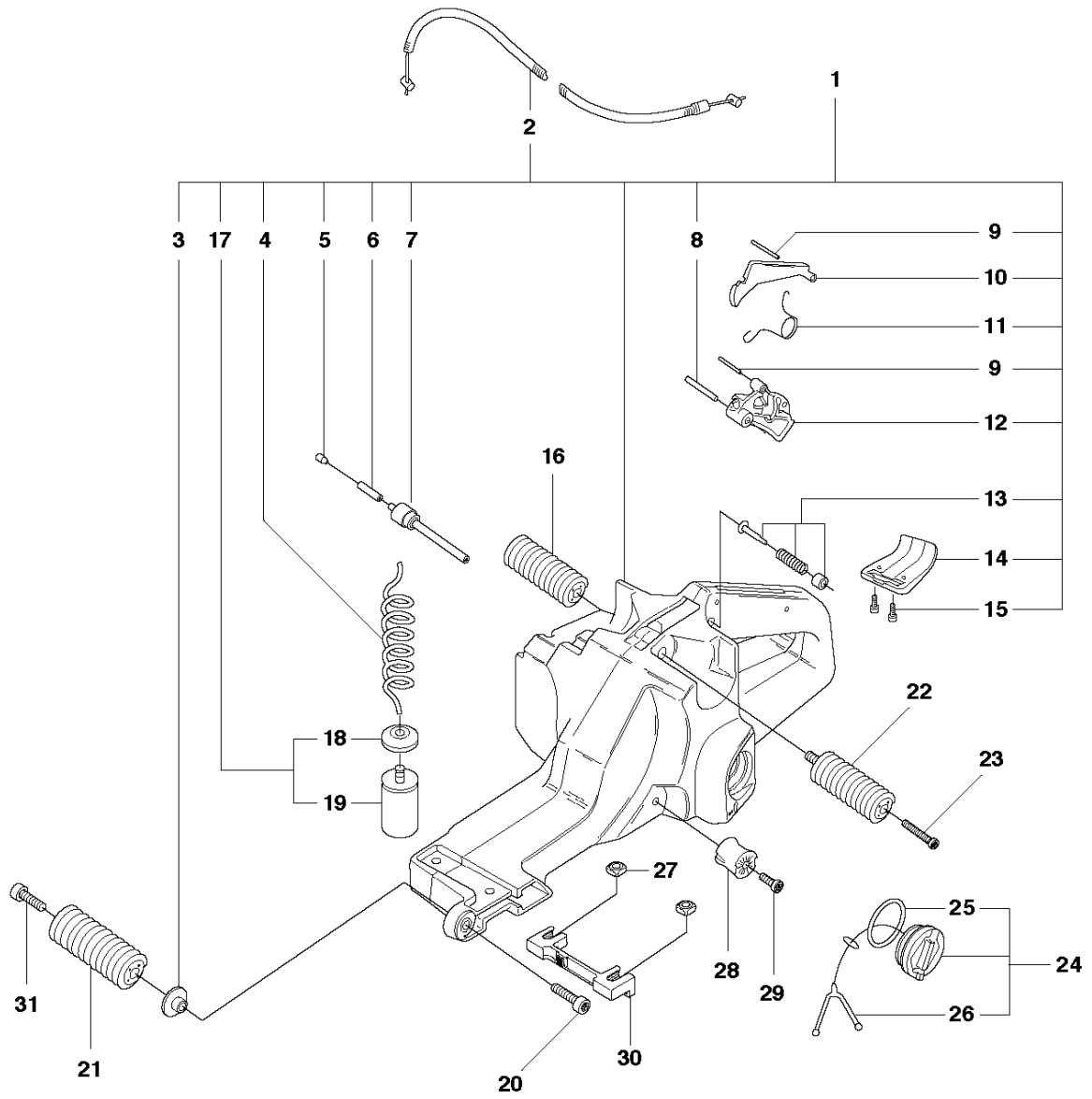


CYLINDER, PISTON & MUFFLER

K1260, 2010-10

| Ref | Part No | Description | Remark | QTY KIT |
|-----|--------------|-----------------------|----------------------|---------|
| 1 | 503 66 56-01 | DECOMPRESSION VALVE | | 1 |
| 2 | 516 00 24-01 | SCREW UNC | | 4 |
| 3 | 503 23 00-05 | WASHER | | 4 |
| 4 | 503 23 51-09 | SPARK PLUG | RCJ 6Y | 1 |
| 5 | 576 27 00-02 | CYLINDER ASSY | Incl. 6 - 8 | 1 |
| 6 | 503 13 46-01 | GASKET | | 1 |
| 7 | 501 89 41-03 | PISTON ASSY | Incl. 9 - 10 | 1 |
| 8 | 503 13 29-01 | NEEDLE HOLDER | | 1 |
| 9 | 503 28 90-26 | PISTON RING | | 2 |
| 10 | 737 44 13-00 | CIRCLIP | | 2 |
| 11 | 506 34 14-01 | COOLING AIR CONDUCTOR | | 1 |
| 12 | 503 13 13-05 | GASKET | | 1 |
| 13 | 505 41 79-01 | MUFFLER ASSY | Incl. 14 - 15 | 1 |
| 14 | 574 56 04-01 | SCREW EHHM | | 4 |
| 15 | 505 41 90-01 | EXHAUST DUCT | | 1 |
| 16 | 544 21 84-20 | SCREW ITXSCM | | 3 |
| 17 | 503 21 53-12 | SCREW ITXSCM | | 2 |
| 18 | 502 85 08-01 | SUPPORT | | 1 |
| 19 | 506 29 24-03 | GASKET KIT | Incl. 6, 12, 20 - 22 | 1 |
| 20 | 506 27 43-02 | GASKET | | 1 |
| 21 | 503 13 45-01 | CRANKCASE | | 1 |
| 22 | 503 26 02-05 | SEALING RING | | 2 |

H K1260
K1260 Rail

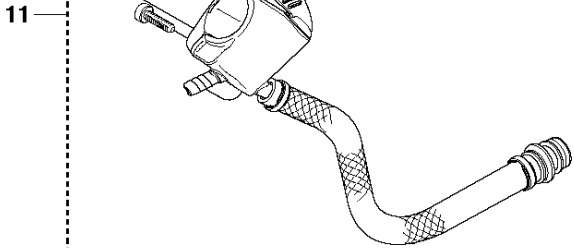
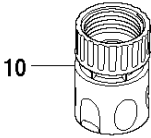
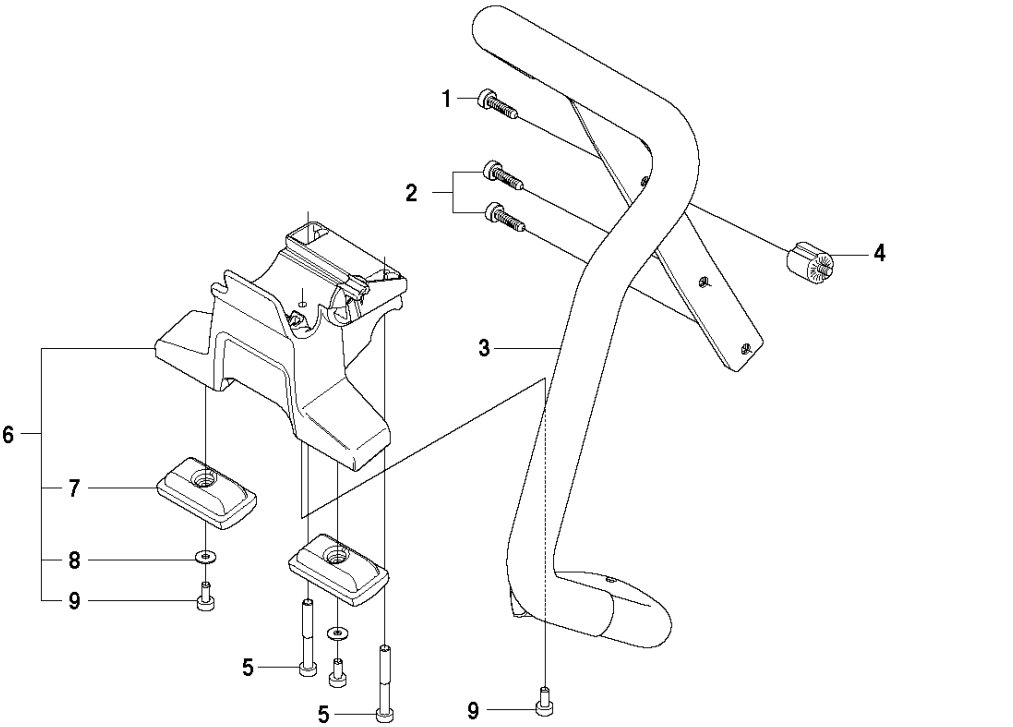


FUEL TANK

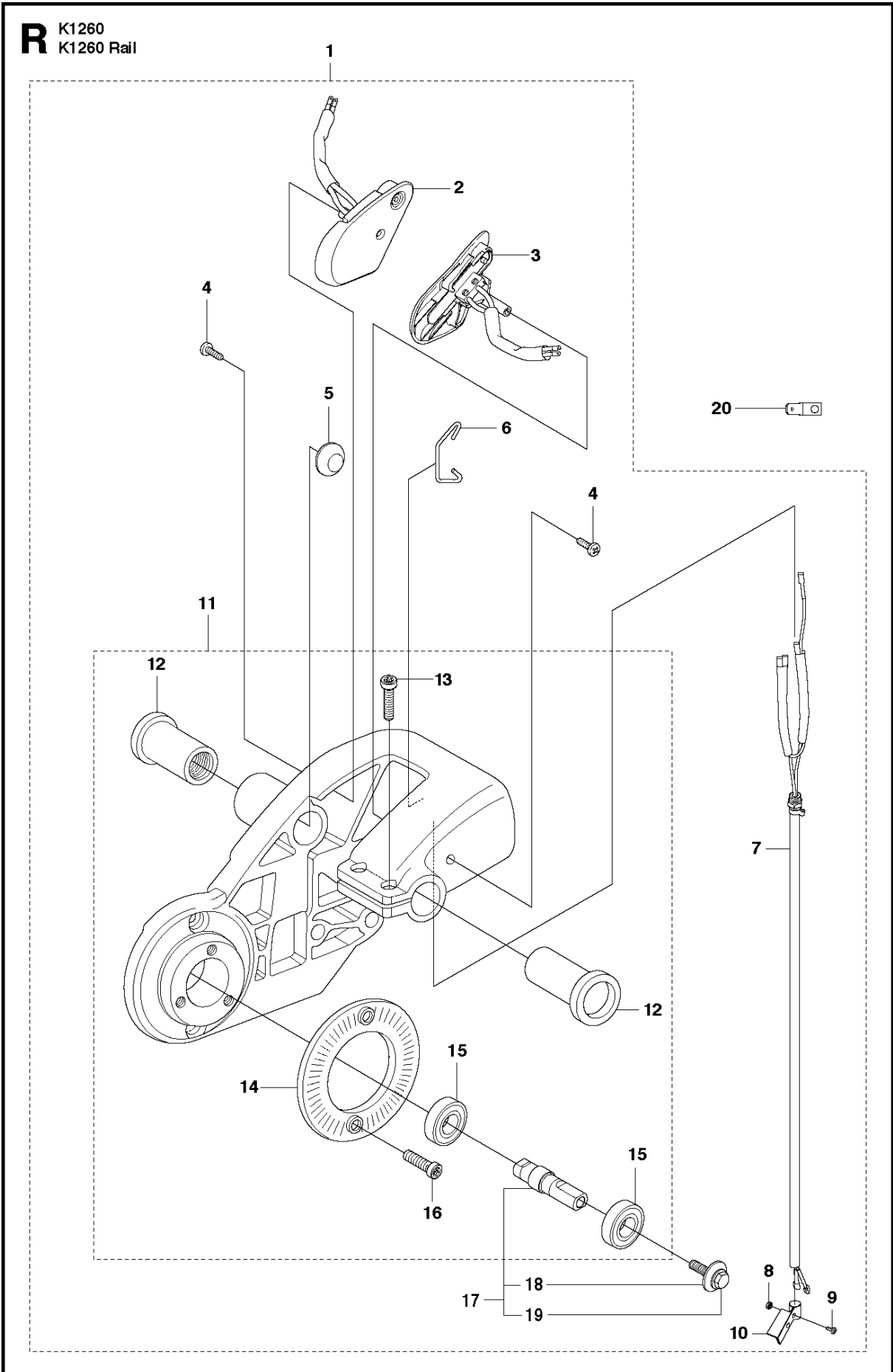
K1260, 2010-10

| Ref | Part No | Description | Remark | QTY KIT |
|-----|--------------|-----------------------|------------------|---------|
| 1 | 503 14 21-06 | TANK UNIT ASSY | Incl. 1 - 15, 17 | 1 |
| 2 | 506 28 98-01 | THROTTLE CABLE ASSY | | 1 |
| 3 | 503 14 08-01 | BUSHING | | 1 |
| 4 | 503 57 76-02 | FUEL HOSE | | 1 |
| 5 | 504 35 72-01 | PLUG | | 1 |
| 6 | 501 76 83-04 | FUEL HOSE | | 1 |
| 7 | 506 29 39-01 | TANK VENT | | 1 |
| 8 | 720 12 78-06 | PARALLEL PIN | | 1 |
| 9 | 720 12 40-20 | PARALLEL PIN | | 1 |
| 10 | 503 13 16-01 | THROTTLE LOCKOUT | | 1 |
| 11 | 503 13 18-01 | SPRING | | 1 |
| 12 | 503 13 36-01 | THROTTLE CONTROL ASSY | | 1 |
| 13 | 503 14 23-01 | SPÄRRSTIFT RES | | 1 |
| 14 | 506 23 34-01 | SUPPORT | | 1 |
| 15 | 503 21 45-16 | SCREW CRCSFT | | 2 |
| 16 | 503 13 26-02 | ANTIVIBRATION ELEMENT | | 1 |
| 17 | 506 26 41-11 | FUEL FILTER | Incl. 18 - 19 | 1 |
| 18 | 506 27 11-01 | HOSE CLAMP | | 1 |
| 19 | 506 26 41-01 | FUEL FILTER | | 1 |
| 20 | 503 21 53-20 | SCREW ITXSCM | | 2 |
| 21 | 503 13 27-02 | ANTIVIBRATION ELEMENT | | 1 |
| 22 | 503 13 25-02 | ANTIVIBRATION ELEMENT | | 1 |
| 23 | 544 21 84-20 | SCREW ITXSCM | | 2 |
| 24 | 506 25 59-03 | TANK CAP ASSY | Incl. 25 - 26 | 1 |
| 25 | 506 29 21-01 | GASKET | | 1 |
| 26 | 503 57 89-01 | HOLDER | | 1 |
| 27 | 505 42 04-01 | NUT | | 2 |
| 28 | 501 81 47-01 | ANTIVIBRATION ELEMENT | | 1 |
| 29 | 503 21 53-12 | SCREW ITXSCM | | 1 |
| 30 | 574 51 22-01 | NUT LOCKING | | 1 |
| 31 | 503 21 53-25 | SCREW ITXSCM | | 1 |

G K1260
K1260 Rail



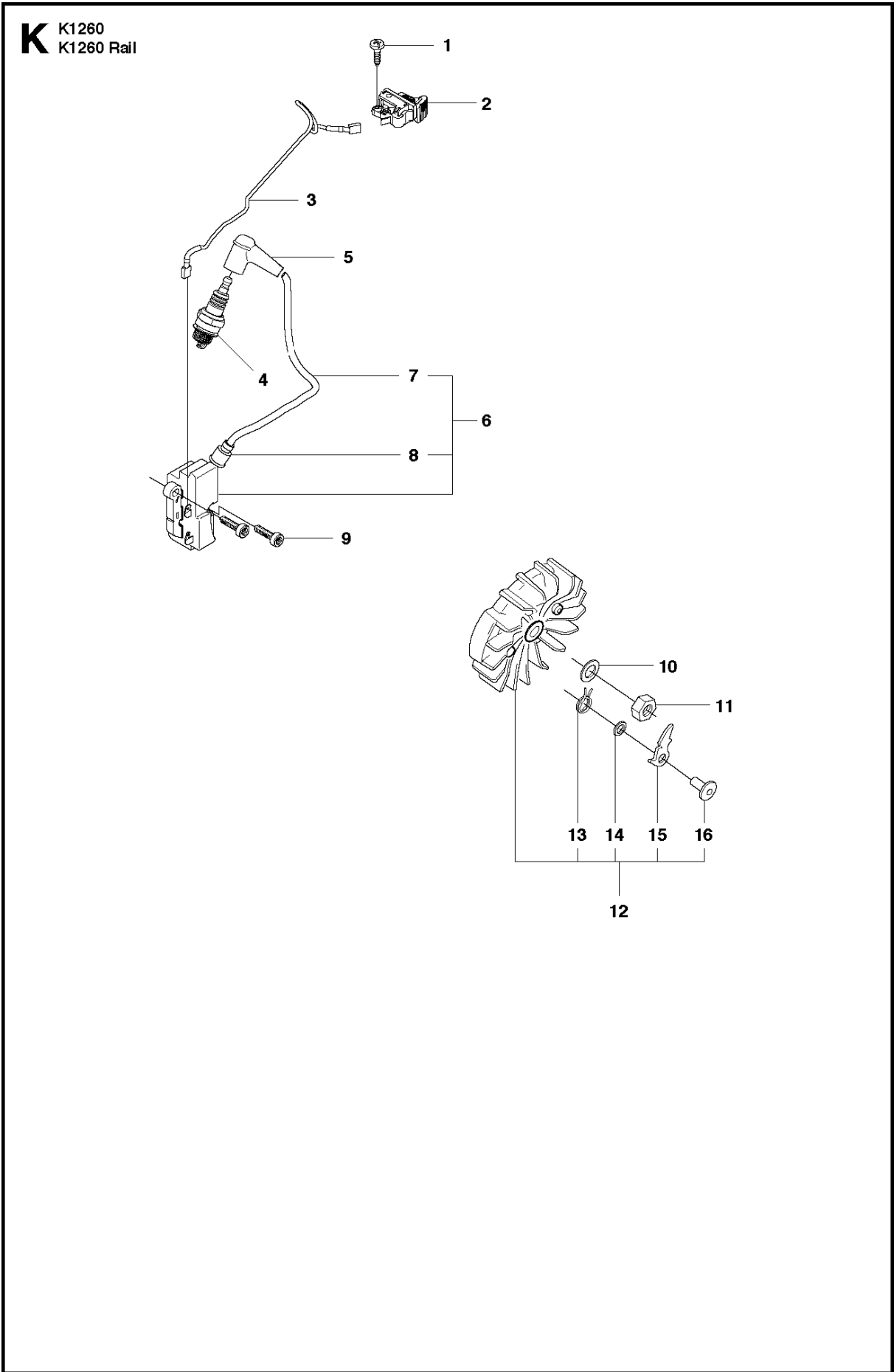
| Ref | Part No | Description | Remark | QTY KIT |
|-----|--------------|-----------------------|-------------|---------|
| 1 | 503 21 53-10 | SCREW ITXSCM | | 1 |
| 2 | 503 21 54-20 | SCREW ITXSCT | | 2 |
| 3 | 521 95 48-01 | HANDLE | | 1 |
| 4 | 501 26 97-04 | ANTIVIBRATION ELEMENT | | 1 |
| 5 | 544 21 84-47 | SCREW ITXSCM | | 2 |
| 6 | 525 82 04-01 | GROUND SUPPORT | Incl. 7 - 9 | 1 |
| 7 | 544 81 16-01 | BASE | | 2 |
| 8 | 734 11 47-41 | WASHER | | 2 |
| 9 | 503 21 53-12 | SCREW ITXSCM | | 3 |
| 10 | 503 26 60-03 | COUPLER | USA, Canada | 1 |
| 10 | 503 26 60-04 | COUPLER | | 1 |
| 11 | 505 09 55-01 | HOSE KIT | | 1 |



HOUSING

K1260, 2010-10

| Ref | Part No | Description | Remark | QTY KIT |
|-----|--------------|----------------------|---------------------------------------|---------|
| 19 | 506 13 96-01 | SCREW EHHFM | | 1 |
| 20 | 535 03 94-01 | CONNECTION | | 1 |
| 1 | 576 66 57-02 | BEARING HOUSING ASSY | "14"" Rail Stop Switch, Incl. 2 - 11" | 1 |
| 2 | 506 35 91-04 | STOP SWITCH | RH | 1 |
| 3 | 506 35 91-03 | STOP SWITCH | LH | 1 |
| 4 | 729 52 91-71 | SCREW CRPANT | | 2 |
| 5 | 506 35 96-01 | SPACING BLOCK | | 1 |
| 6 | 501 35 43-01 | CLIP | | 1 |
| 7 | 506 35 90-01 | WIRING | | 1 |
| 8 | 732 25 12-01 | HEXAGON LOCKING NUT | | 1 |
| 9 | 724 12 87-59 | SCREW CRPANM | | 1 |
| 10 | 506 35 80-01 | BRACKET | | 1 |
| 11 | 576 66 57-01 | BEARING HOUSING ASSY | "14"" Rail, Incl. 12 - 17" | 1 |
| 11 | 576 66 57-03 | BEARING HOUSING ASSY | "16"" Rail, Incl. 12 - 17" | 1 |
| 11 | 576 66 57-04 | BEARING HOUSING ASSY | "16"" Rail USA, Incl. 12 - 17" | 1 |
| 12 | 506 22 75-01 | SLEEVE | | 2 |
| 13 | 503 20 02-16 | SCREW IHSCFM | | 2 |
| 14 | 506 28 84-01 | SCREEN | | 1 |
| 15 | 583 95 33-01 | BALL BEARING | | 2 |
| 16 | 503 21 53-10 | SCREW ITXSCM | | 2 |
| 17 | 506 29 83-65 | SHAFT | Incl. 18 - 19 | 1 |
| 18 | 506 13 95-11 | WASHER | | 1 |



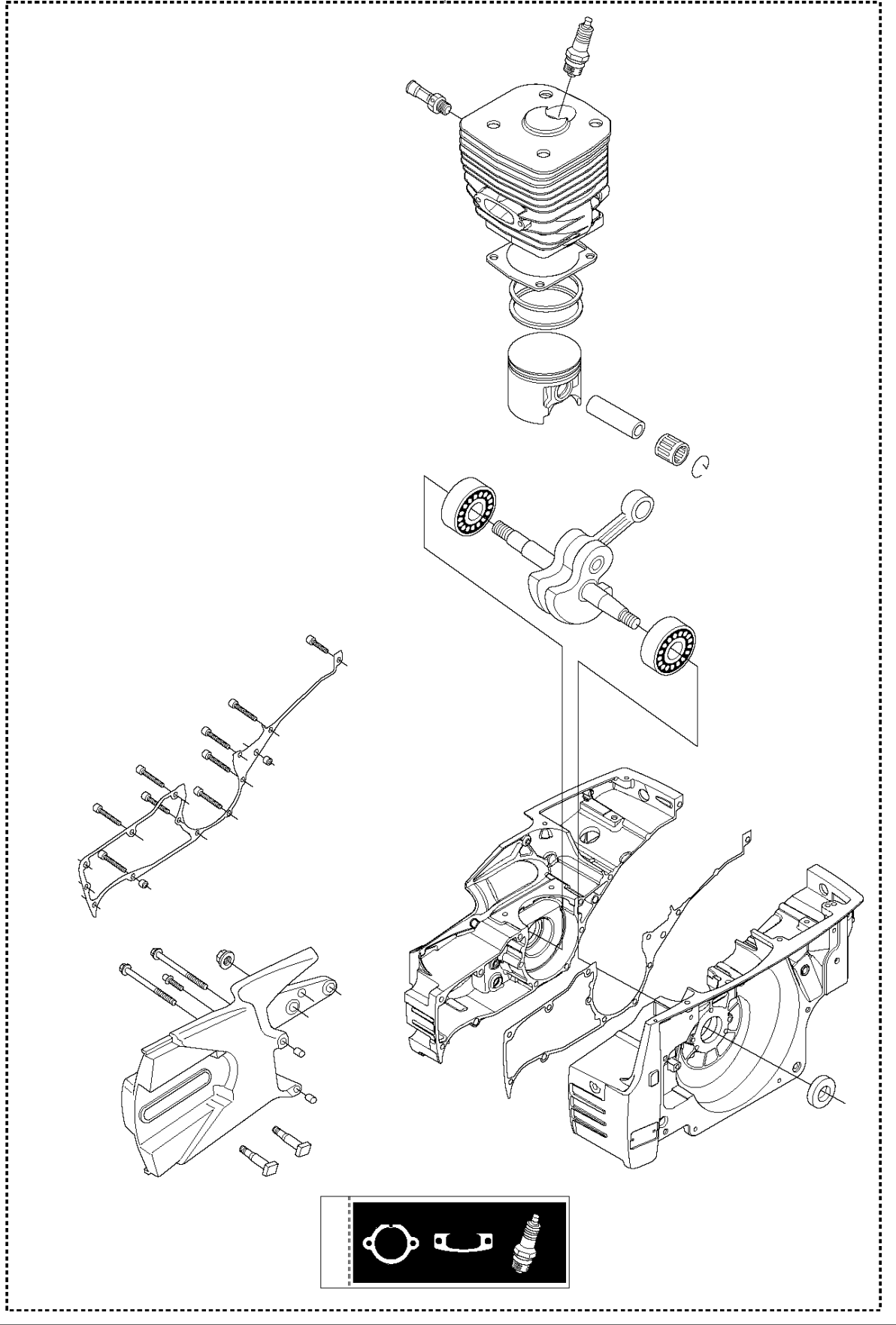
IGNITION SYSTEM

K1260, 2010-10

| Ref | Part No | Description | Remark | QTY KIT |
|-----|--------------|-----------------|---------------|---------|
| 1 | 525 88 74-02 | SCREW CITXPANT | | 1 |
| 2 | 506 31 86-02 | STOP SWITCH | | 1 |
| 3 | 501 83 98-03 | CABLE | | 1 |
| 4 | 503 23 51-09 | SPARK PLUG | RCJ 6Y | 1 |
| 5 | 501 48 54-02 | SPARK PLUG CAP | | 1 |
| 6 | 510 11 56-01 | IGNITION MODULE | Incl. 7 - 8 | 1 |
| 7 | 506 38 78-34 | IGNITION CABLE | | 1 |
| 8 | 505 27 75-16 | ISOLERHATT | | 1 |
| 9 | 503 21 53-20 | SCREW ITXSCM | | 2 |
| 10 | 735 11 73-50 | SPRING WASHER | | 1 |
| 11 | 503 22 10-03 | HEXAGON NUT | | 1 |
| 12 | 522 89 20-04 | FLYWHEEL ASSY | Incl. 13 - 16 | 1 |
| 13 | 501 63 48-01 | SPRING | | 2 |
| 14 | 503 23 00-42 | WASHER | | 2 |
| 15 | 501 67 32-03 | PAWL | | 2 |
| 16 | 506 00 69-01 | SCREW | | 2 |

S K1260
K1260 Rail

1

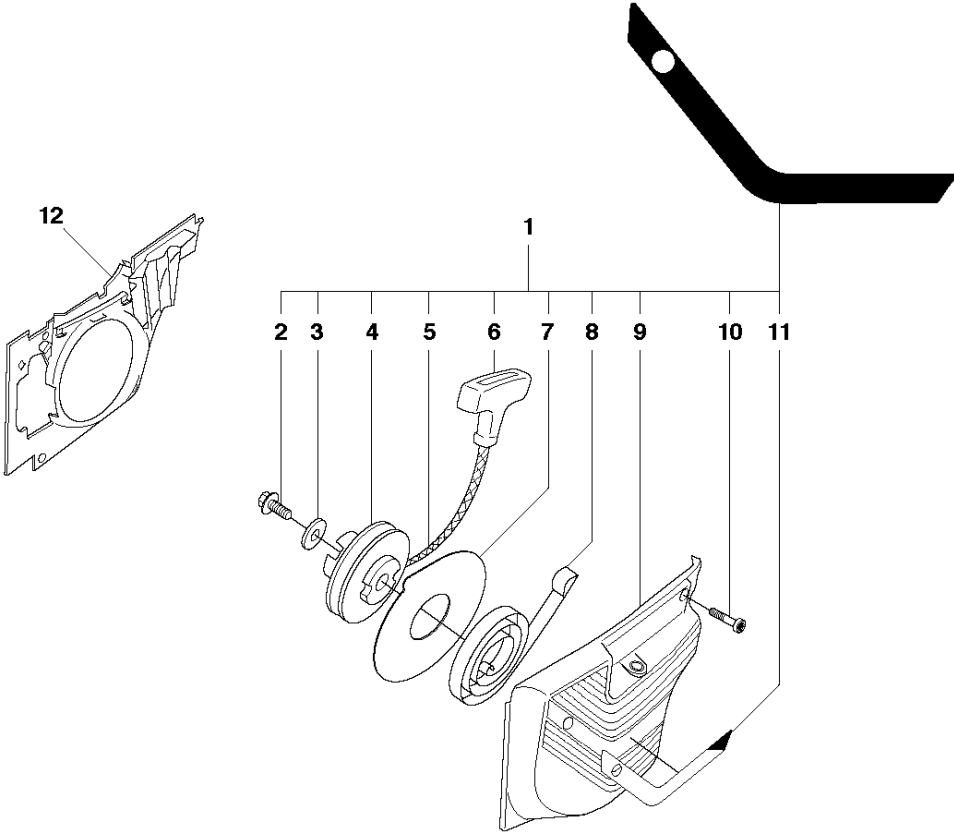


SHORT BLOCK

K1260, 2010-10

| Ref | Part No | Description | Remark | QTY KIT |
|-----|--------------|-------------|--------|---------|
| 1 | 576 22 40-01 | SHORT BLOCK | | 1 |

J K1260
K1260 Rail

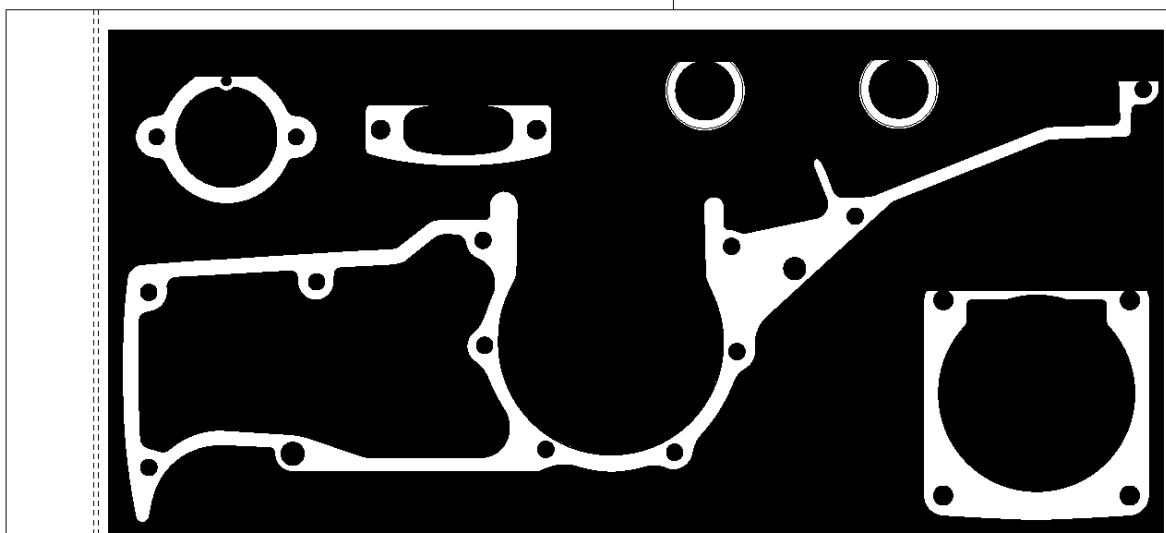
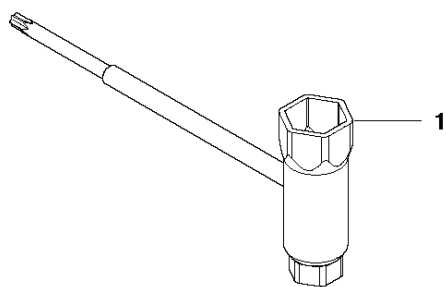


STARTER

K1260, 2010-10

| Ref | Part No | Description | Remark | QTY KIT |
|-----|--------------|----------------|-----------------------|---------|
| 1 | 506 27 55-04 | STARTER | Incl. 2 - 11 | 1 |
| 2 | 503 21 06-16 | SCREW IHST | | 1 |
| 3 | 503 23 43-02 | WASHER | | 1 |
| 4 | 501 89 67-01 | STARTER PULLEY | | 1 |
| 5 | 506 33 56-25 | STARTER CORD | | 1 |
| 5 | 506 33 56-50 | STARTER CORD | 50 meter | 1 |
| 6 | 503 12 79-01 | STARTER HANDLE | | 1 |
| 7 | 503 74 36-01 | DAMPING DISC | | 1 |
| 8 | 503 13 50-01 | RECOIL SPRING | | 1 |
| 9 | 506 25 58-02 | STARTER COVER | | 1 |
| 10 | 503 21 53-26 | SCREW ITXSCM | | 4 |
| 11 | 544 87 35-01 | LABEL | | 1 |
| 12 | 501 89 59-02 | AIR CONDUCTOR | | 1 |
| 12 | 501 89 59-03 | LEDSKENA | Rail Stop Switch only | 1 |

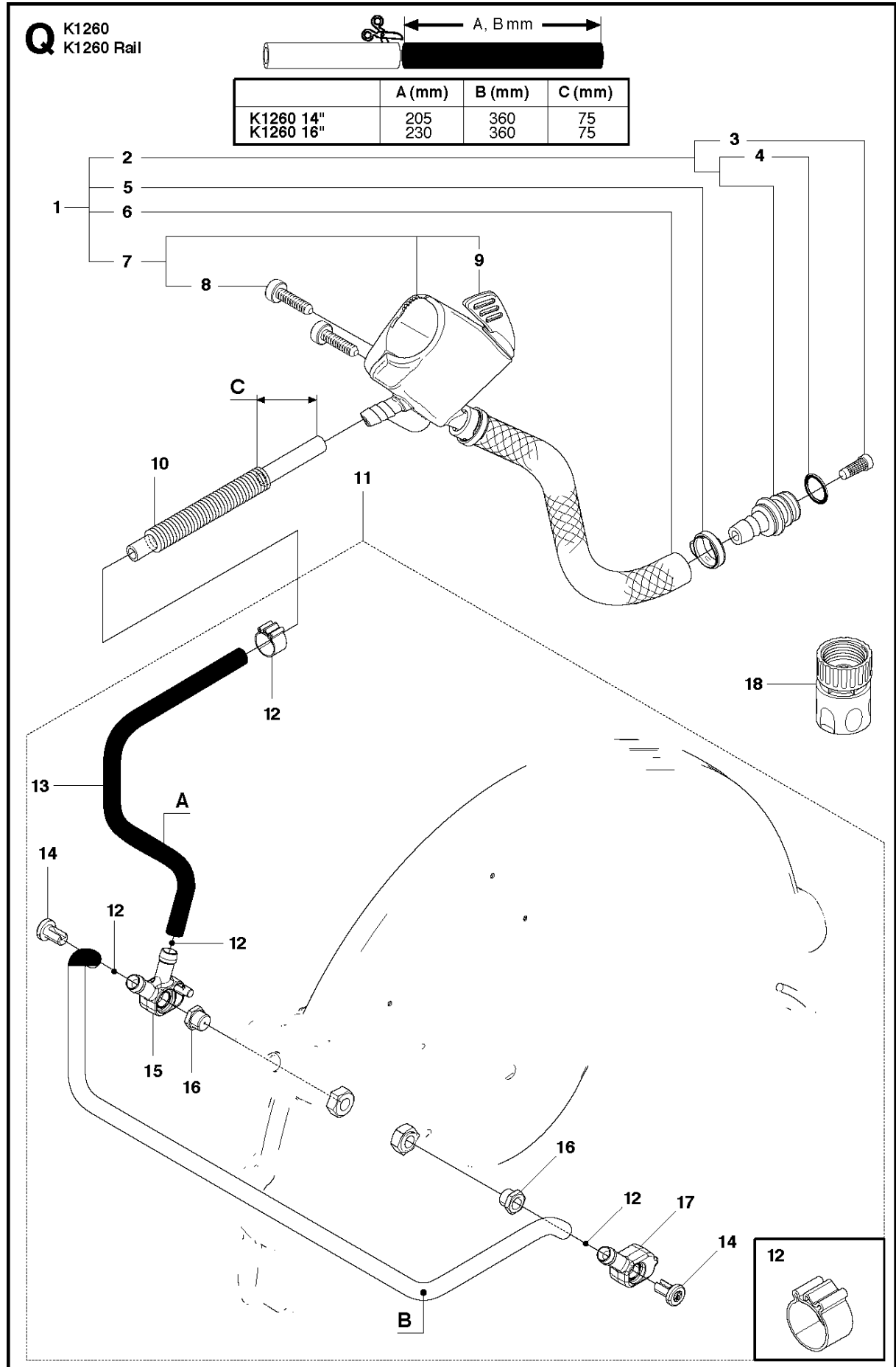
P K1260
 K1260 Rail
Accessories
Zubehöre
Accessoires
Accesorios
Tillbehör



TOOLS

K1260, 2010-10

| Ref | Part No | Description | Remark | QTY KIT |
|-----|--------------|--------------|-------------|---------|
| 1 | 506 38 26-01 | TOOL | Torx 27 | 1 |
| 2 | 506 29 24-03 | GASKET KIT | Incl. 3 - 7 | 1 |
| 3 | 506 27 43-02 | GASKET | | 1 |
| 4 | 503 13 13-05 | GASKET | | 1 |
| 5 | 503 26 02-05 | SEALING RING | | 2 |
| 6 | 503 13 45-01 | CRANKCASE | | 1 |
| 7 | 503 13 46-01 | GASKET | | 1 |

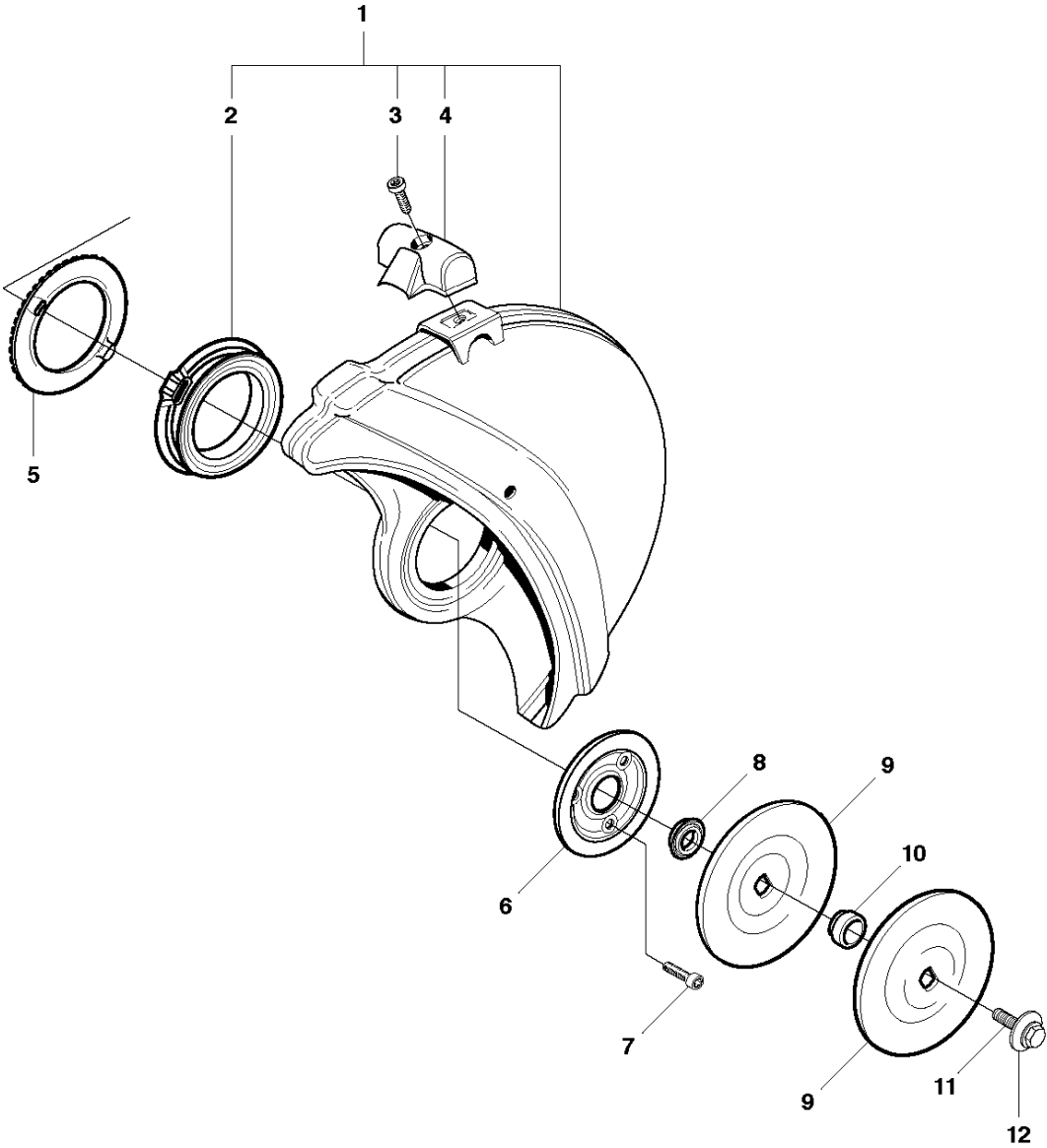


WATER HOSE KIT

K1260, 2010-10

| Ref | Part No | Description | Remark | QTY KIT |
|-----|--------------|-------------------|--------------|---------|
| 1 | 505 09 55-01 | HOSE KIT | Incl. 2, 5-7 | 1 |
| 2 | 506 29 57-02 | NIPPLE | Incl. 3, 4 | 1 |
| 3 | 506 29 88-01 | FILTER | | 1 |
| 4 | 505 10 35-01 | O-RING | | 1 |
| 5 | 506 49 87-02 | HOSE CLAMP | | 1 |
| 6 | 506 60 75-01 | HOSE | | 1 |
| 7 | 506 38 60-12 | VALVE ASSY | Incl. 8 | 1 |
| 8 | 503 21 54-20 | SCREW ITXSCT | | 2 |
| 9 | 505 52 42-01 | VALVE SPINDLE | | 1 |
| 10 | 506 35 27-01 | PROTECTIVE SPRING | | 1 |
| 11 | 505 09 54-01 | HOSE KIT | | 1 |
| 12 | 506 49 87-01 | HOSE CLAMP | | 4 |
| 13 | 506 60 68-06 | HOSE | 620 mm | 1 |
| 14 | 504 63 46-01 | SCREW ITXSCM | | 2 |
| 15 | 504 63 44-01 | HOUSING | | 1 |
| 16 | 504 63 42-01 | NIPPLE | | 2 |
| 17 | 504 63 45-01 | HOUSING | | 1 |
| 18 | 503 26 60-03 | COUPLER | USA, Canada | 1 |
| 18 | 503 26 60-04 | COUPLER | | 1 |

B K1260
K1260 Rail



13



14

WHEELS & TIRES

K1260, 2010-10

| Ref | Part No | Description | Remark | QTY KIT |
|-----|--------------|----------------|--------------------------|---------|
| 1 | 506 34 05-44 | BLADE GUARD | "14"" Incl. 2 - 4" | 1 |
| 1 | 506 34 05-46 | BLADE GUARD | "16"" Incl. 2 - 4" | 1 |
| 1 | 506 34 05-54 | BLADE GUARD | "14"" Rail, Incl. 2 - 4" | 1 |
| 1 | 506 34 05-56 | BLADE GUARD | "16"" Rail, Incl. 2 - 4" | 1 |
| 2 | 506 26 63-02 | LINING | | 1 |
| 3 | 503 21 53-20 | SCREW ITXSCM | | 1 |
| 4 | 506 34 46-02 | HANDLE | | 1 |
| 5 | 506 26 64-01 | SCREEN | | 1 |
| 6 | 506 26 65-01 | FLANGE | | 1 |
| 7 | 505 57 41-16 | SCREW ITXSCM | | 3 |
| 8 | 506 32 48-01 | SUPPORT FLANGE | | 1 |
| 9 | 506 02 87-01 | FLANGE WASHER | Diam 105 | 1 |
| 9 | 506 07 09-01 | FLANGE WASHER | Diam 119 | 1 |
| 10 | 506 37 96-20 | KIT | Diam 20 | 1 |
| 10 | 506 37 96-22 | KIT | Diam 22,2 | 1 |
| 10 | 506 37 96-25 | KIT | Diam 25 | 1 |
| 10 | 506 02 88-30 | BUSHING | Diam 30,5 | 1 |
| 11 | 506 13 96-01 | SCREW EHHFM | | 1 |
| 12 | 506 13 95-11 | WASHER | | 1 |
| 13 | 506 28 41-12 | LABEL | "14"" Diam 20 mm" | 1 |
| 13 | 506 28 41-14 | LABEL | "14"" Diam 1"" | 1 |
| 13 | 506 28 41-22 | LABEL | "16"" Diam 20 mm" | 1 |
| 13 | 506 28 41-24 | LABEL | "16"" Diam 1"" | 1 |
| 14 | 576 12 10-02 | DECAL | "Japan 14"" | 1 |
| 14 | 576 12 10-03 | DECAL | "Japan 16"" | 1 |