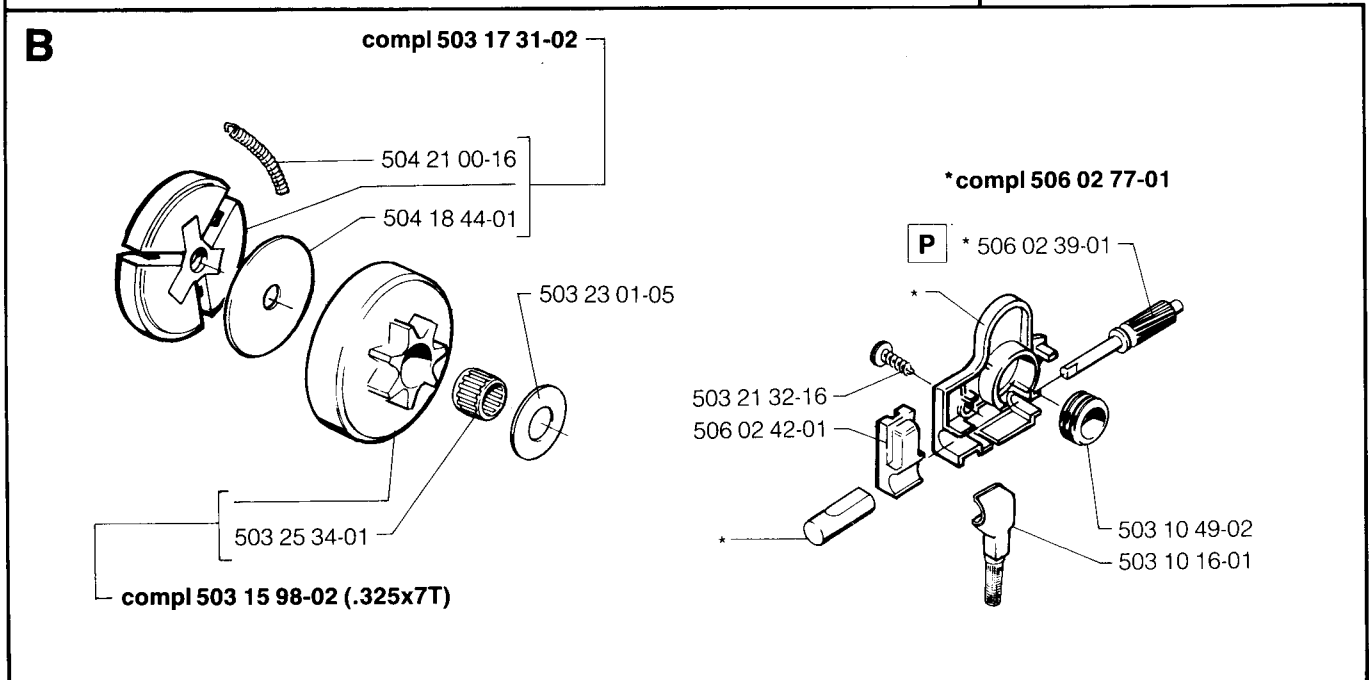
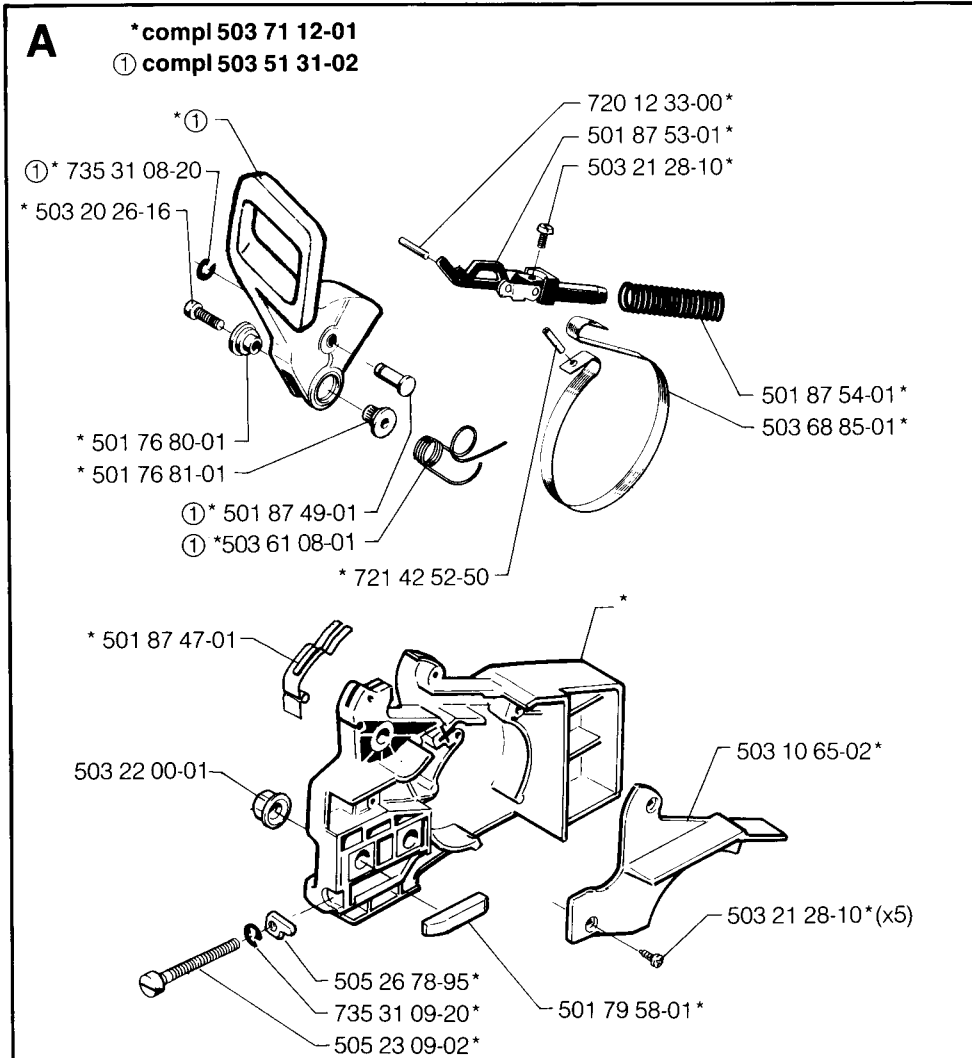




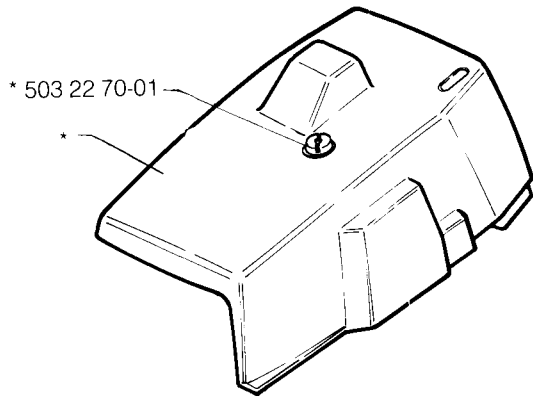
## SPAREPARTS

107 26 25-63

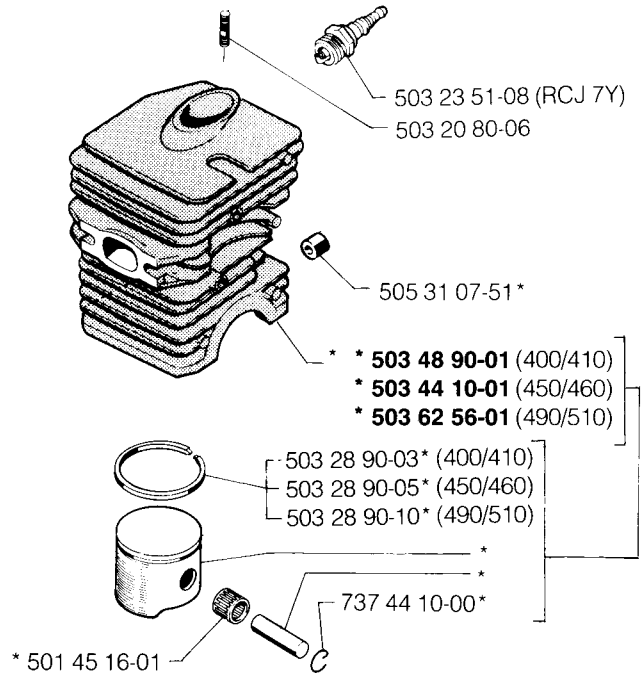


**C**

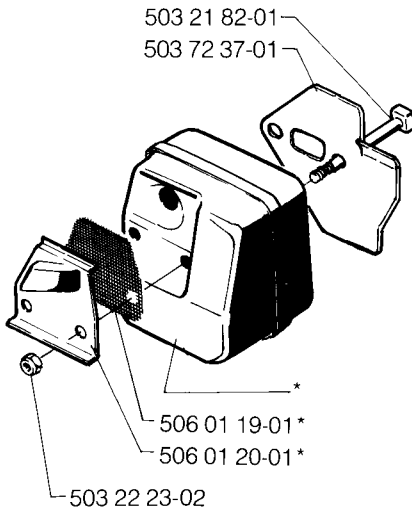
\*compl 506 01 11-08  
 \*compl 506 01 11-09 CCS

**D**

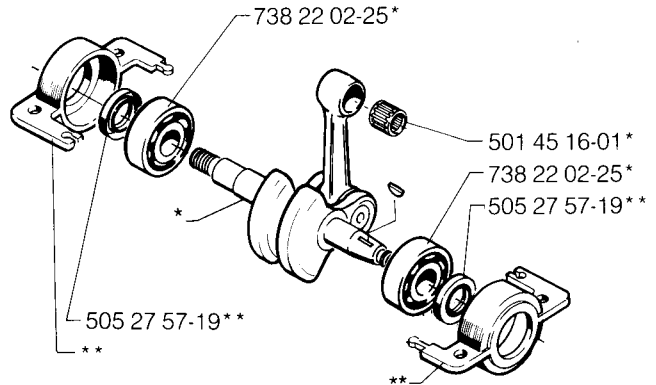
\* compl 506 01 06-07 (400/410 CCS ø 40 mm)  
 \* compl 503 44 08-02 (450/460 CCS ø 42 mm)  
 \* compl 503 62 55-02 (490/510 CCS ø 44 mm)

**E**

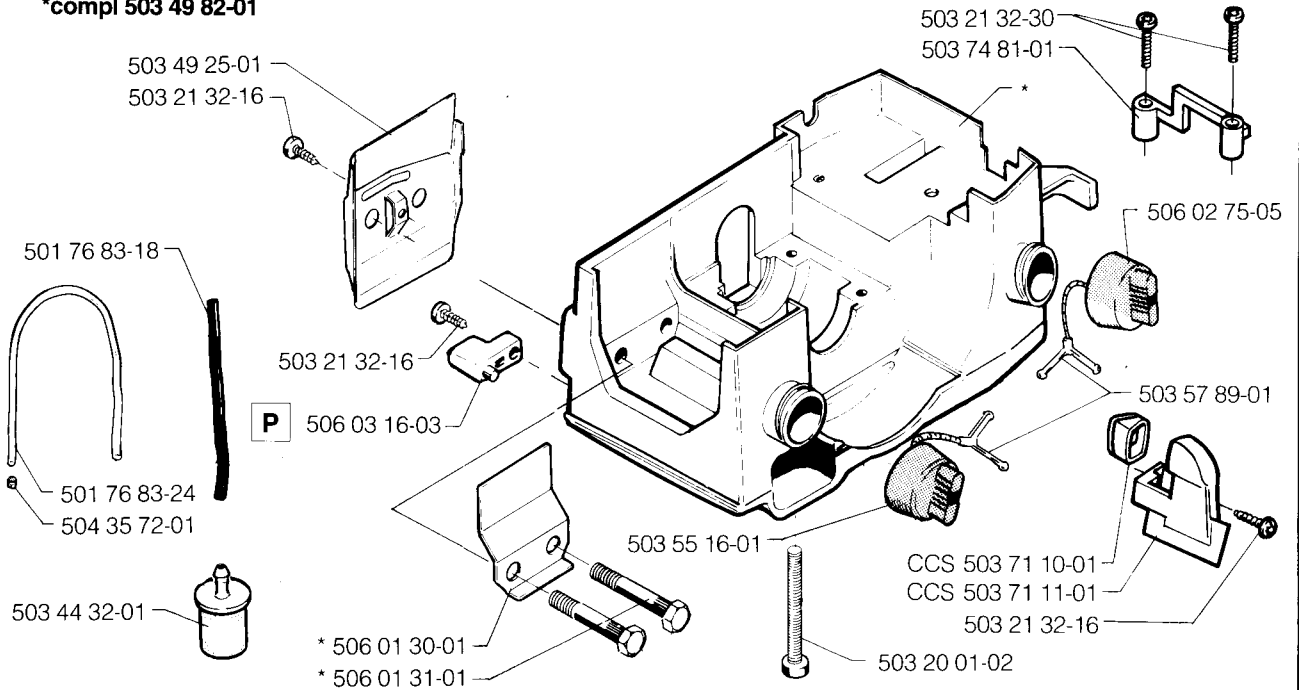
\*compl 503 59 51-01

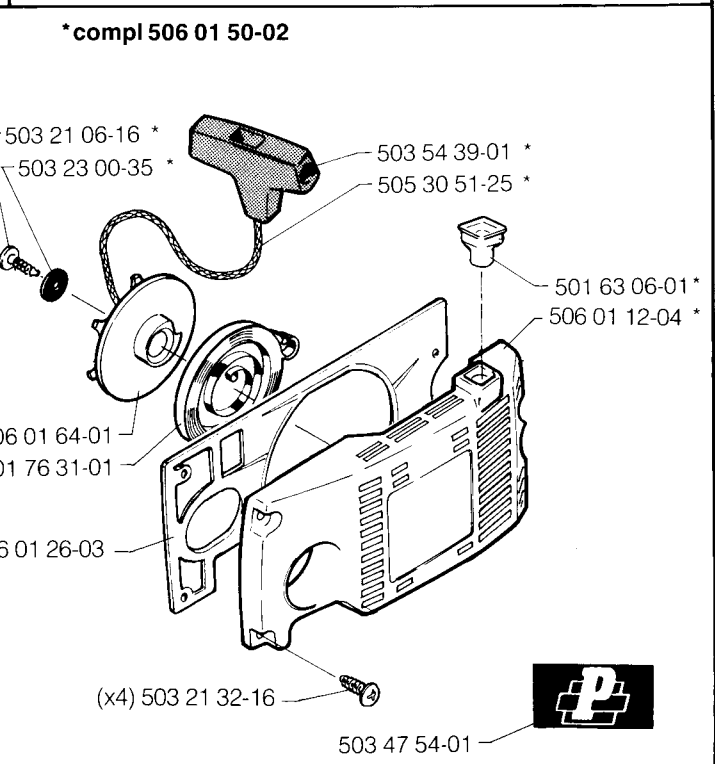
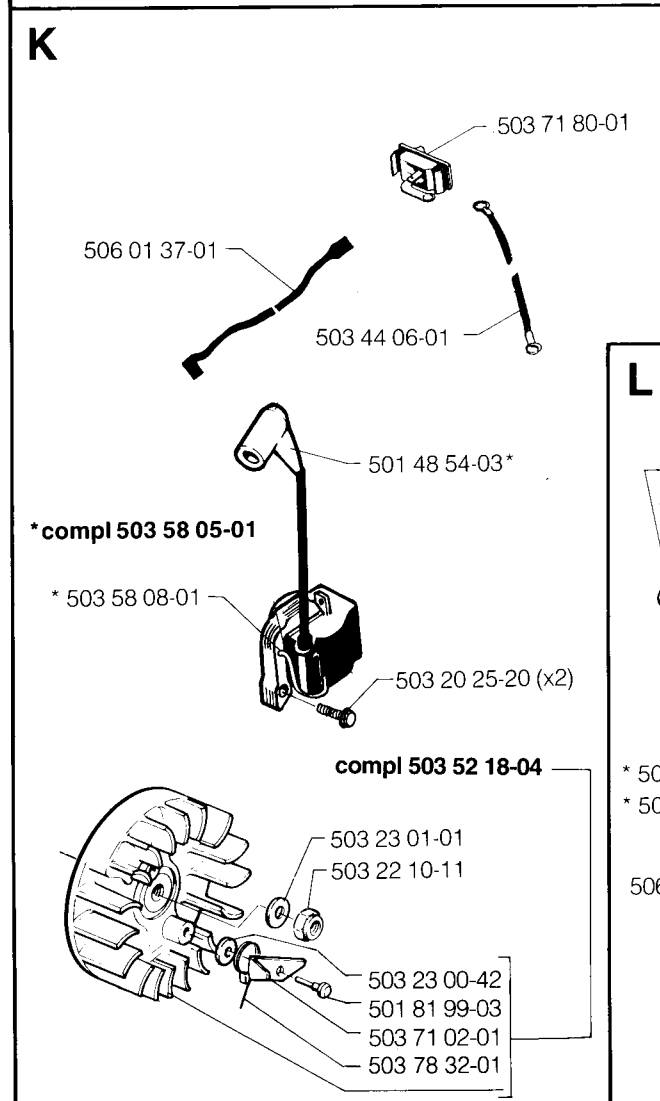
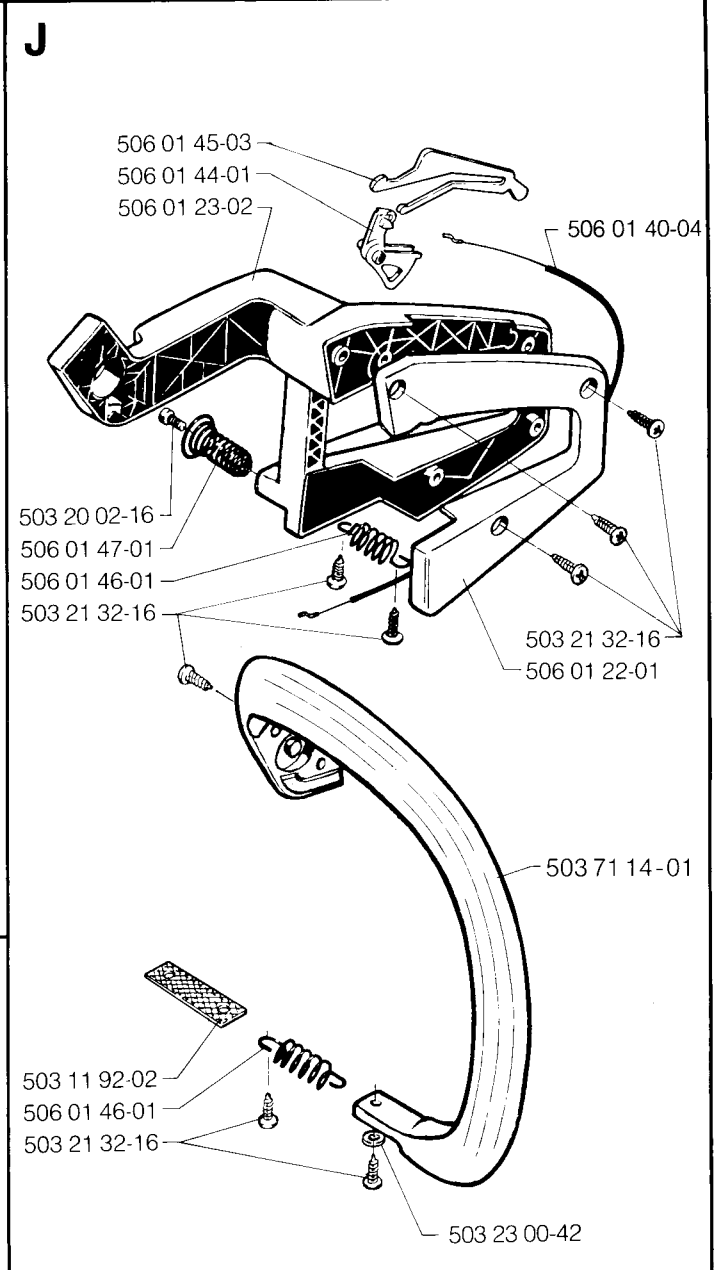
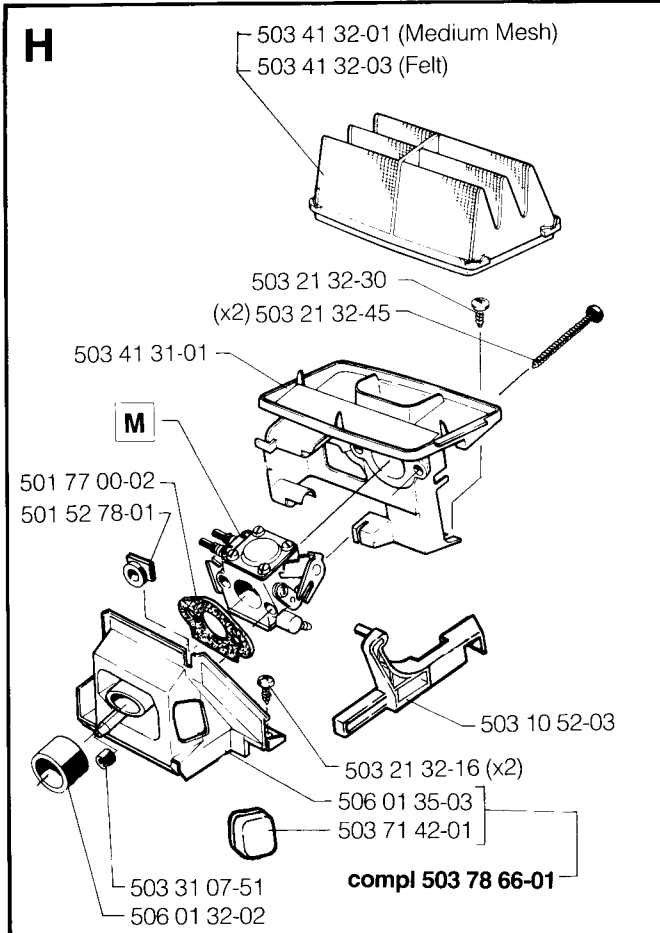
**F**

\*compl 503 57 38-06  
 \*\*compl 506 05 65-02

**G**

\*compl 503 49 82-01

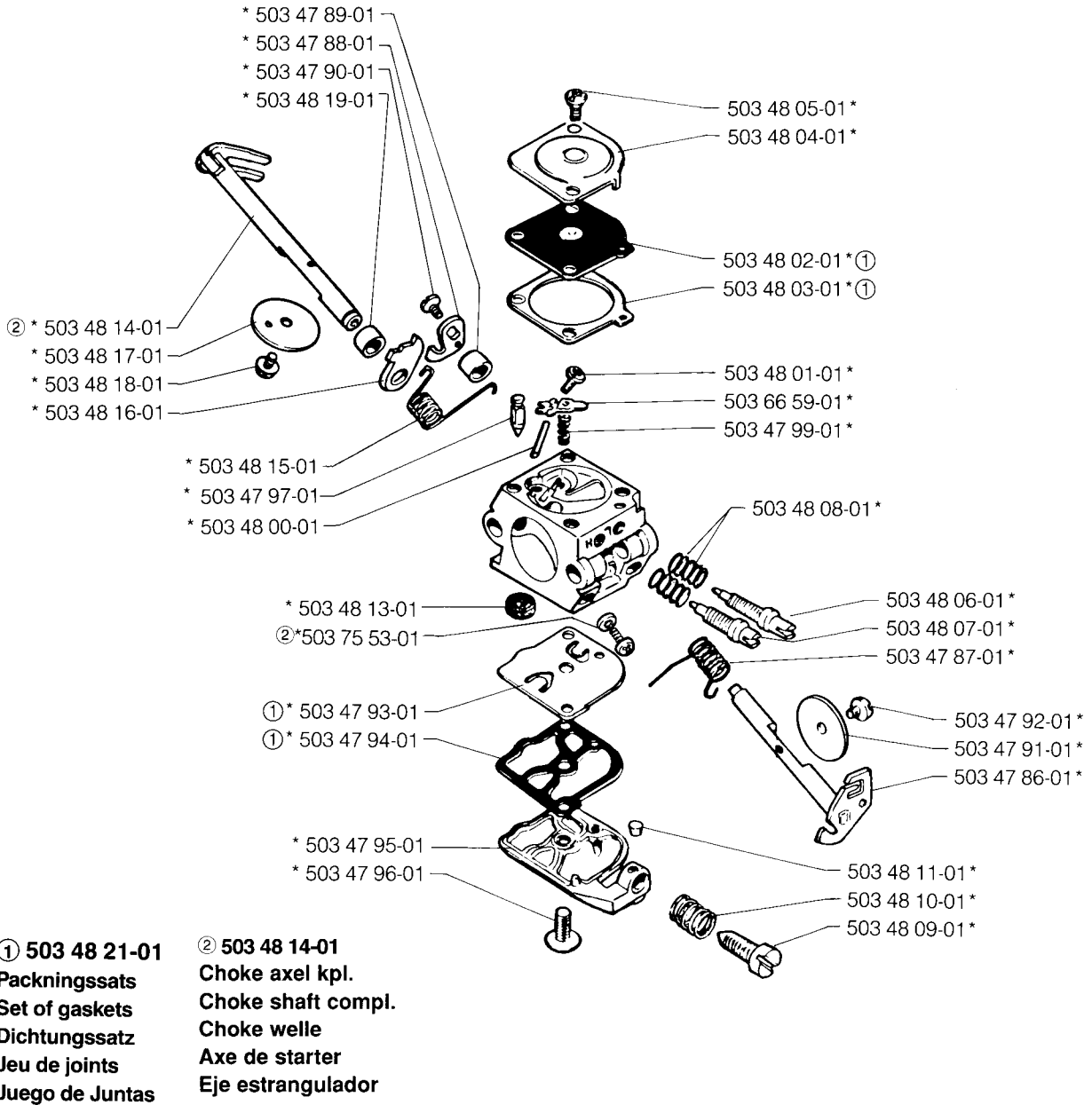




# M

\*compl 503 28 31-01

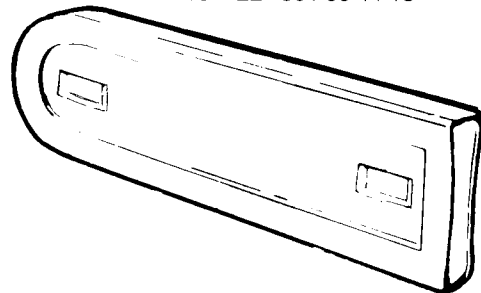
# ZAMA C1Q-EL1



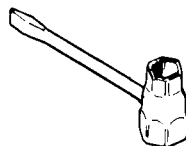
# N

**Tillbehör**  
**Accessories**  
**Zubehöre**  
**Accessoires**  
**Acessorios**

13"-16" 501 83 44-14  
 18"-22" 501 83 44-15



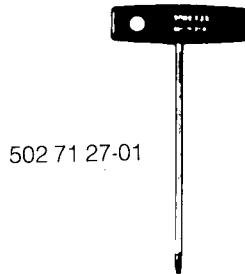
506 01 49-01



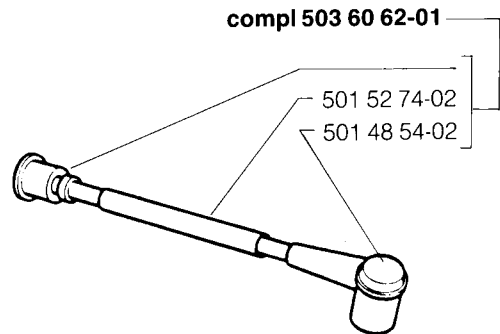
501 69 17-01

**P**

**Leveras endast som reservdel**  
**Delivery as spare part only**  
**Nur als Ersatzteil lieferbar**  
**Livrabl seulement comme pièce de rechange**  
**Solo como repuesto**



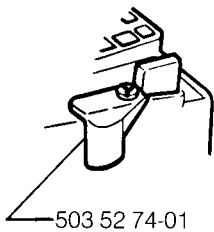
502 71 27-01



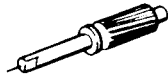
compl 503 60 62-01

501 52 74-02

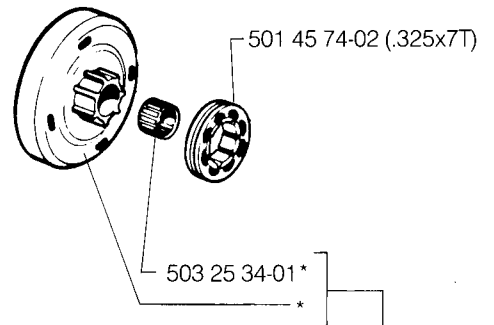
501 48 54-02



503 52 74-01



506 02 39-02  
VEG. OIL



501 45 74-02 (.325x7T)

503 25 34-01\*

\*compl 503 15 98-01



503 21 22-01 (l = 16 mm)  
503 21 22-02 (l = 20 mm)

Överdimensionsskruv  
Oversize screw  
Überdimensions Schraube  
Vis à surprofil  
Tornillo sobredimensionado

MODELL NUMBER 400/410/450/460/490/510

PARTNUMBER	SQUARE	NOTE	PARTNUMBER	SQUARE	NOTE	PARTNUMBER	SQUARE	NOTE	PARTNUMBER	SQUARE	NOTE
501 45 16-01	D, F		503 41 32-03	H		503 71 11-01	G	N			
501 45 74-02	P		503 44 06-01	K		503 71 12-01	A				
501 48 54-02	P		503 44 08-02	D		503 71 14-01	J	N			
501 48 54-03	K		503 44 10-01	D		503 71 42-01	H	N			
501 52 78-01	H		503 44 32-01	G		503 71 80-01	K	N			
501 63 06-01	L		503 47 54-01	L		503 72 37-01	E	N			
501 63 48-01	K		503 47 86-01	M		503 74 81-01	G	N			
501 69 17-01	N		503 47 87-01	M		503 75 53-01	M	N			
501 76 31-01	L		503 47 88-01	M		503 78 66-01	H	N			
501 76 80-01	A		503 47 89-01	M		504 18 44-01	B				
501 76 81-01	A		503 47 90-01	M		504 21 00-16	B				
501 76 83-18	G		503 47 91-01	M		504 35 72-01	G				
501 76 83-24	G		503 47 92-01	M		505 23 09-02	A				
501 77 00-02	H		503 47 93-01	M		505 26 78-95	A				
501 79 58-01	A		503 47 94-01	M		505 27 57-19	F				
501 81 99-03	K	N	503 47 95-01	M		505 30 51-25	L				
501 83 44-14	N		503 47 96-01	M		505 31 07-51	D, H				
501 83 44-15	N		503 47 97-01	M		506 01 06-07	D				
501 87 47-01	A		503 47 99-01	M		506 01 11-08	C	N			
501 87 49-01	A		503 48 00-01	M		506 01 11-09	C	N			
501 87 53-01	A		503 48 01-01	M		506 01 12-04	L	N			
501 87 54-01	A		503 48 02-01	M		506 01 19-01	E				
502 71 27-01	P		503 48 03-01	M		506 01 20-01	E				
503 10 16-01	B		503 48 04-01	M		506 01 22-01	J				
503 10 49-02	B		503 48 05-01	M		506 01 23-02	J				
503 10 52-03	H	N	503 48 06-01	M		506 01 26-03	L	N			
503 10 65-02	A		503 48 07-01	M		506 01 30-01	G				
503 11 92-02	J		503 48 08-01	M		506 01 31-01	G				
503 15 98-01	P		503 48 09-01	M		506 01 32-02	H				
503 15 98-02	B		503 48 10-01	M		506 01 35-03	H	N			
503 17 31-02	B		503 48 11-01	M		506 01 37-01	K				
503 20 01-02	G		503 48 13-01	M		506 01 40-04	J	N			
503 20 02-16	J	N	503 48 14-01	M		506 01 44-01	J				
503 20 25-20	K		503 48 15-01	M		506 01 45-03	J				
503 20 26-16	A		503 48 16-01	M		506 01 46-01	J				
503 20 80-06	D		503 48 17-01	M		506 01 47-01	J				
503 21 06-16	L		503 48 18-01	M		506 01 49-01	N				
503 21 22-01	P		503 48 19-01	M		506 01 50-02	L				
503 21 22-02	P		503 48 21-01	M		506 01 64-01	L				
503 21 28-10	A		503 48 90-01	D		506 02 39-01	B				
503 21 32-16	BGHJKL		503 49 25-01	G		506 02 39-02	P				
503 21 32-30	G	N	503 49 82-01	G	N	506 02 42-01	B				
503 21 32-45	H		503 51 31-02	A		506 02 75-05	G				
503 21 82-01	E		503 52 18-04	K	N	506 02 77-01	B				
503 22 00-01	A		503 52 74-01	P		506 03 16-03	G				
503 22 10-11	K		503 54 39-01	L		506 05 65-02	F				
503 22 23-02	E		503 55 16-01	G		720 12 33-00	A				
503 22 70-01	C		503 57 38-06	F	N	721 42 52-50	A				
503 23 00-35	L		503 57 89-01	G		735 31 08-20	A	N			
503 23 00-42	J, K	N	503 58 05-01	K		735 31 09-20	A				
503 23 01-01	K		503 58 08-01	K		737 44 10-00	D				
503 23 01-05	B		503 59 51-01	E		738 22 02-25	F				
503 23 51-08	D		503 60 62-01	P							
503 25 34-01	B, P		503 61 08-01	A	N						
503 28 31-01	M		503 62 55-02	D							
503 28 90-03	D		503 62 56-01	D							
503 28 90-05	D		503 66 59-01	M							
503 28 90-10	D		503 68 85-01	A							
503 41 31-01	H		503 71 02-01	K	N						
503 41 32-01	H		503 71 10-01	G	N						

N=NY DETALJ  
 NEW PART  
 NEUES ERSATZTEIL  
 NOUVELLE PIECE  
 NUEVA PIEZA

MODELL NUMBER 400/410/450/460/490/510