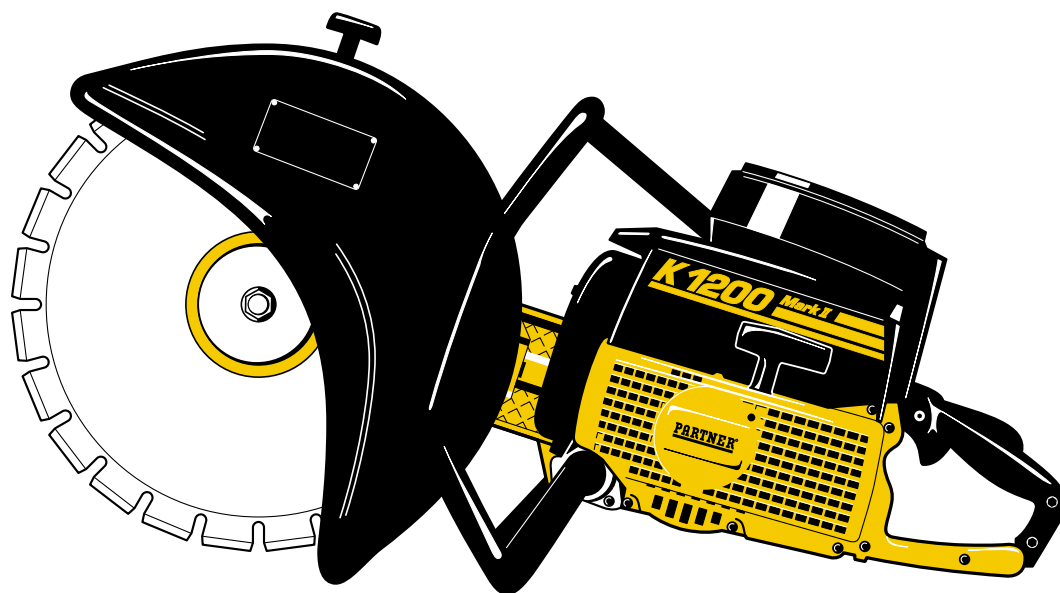


# ***PARTNER***

Illustrated Parts List 2000-05 CD

***K850 Mark II*** 1987-1998

***K1200 Mark II*** 1987-1998

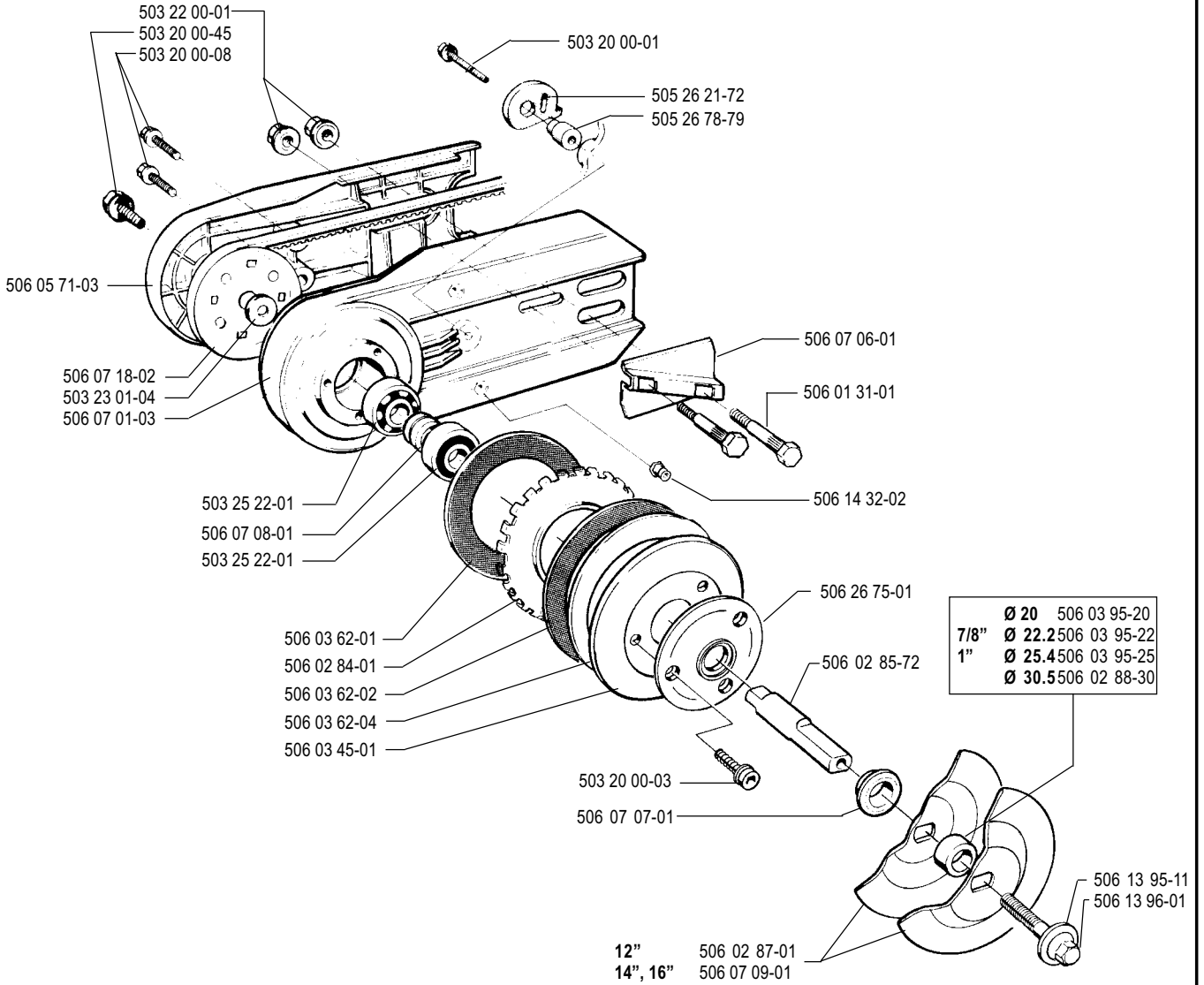


108 30 00-55

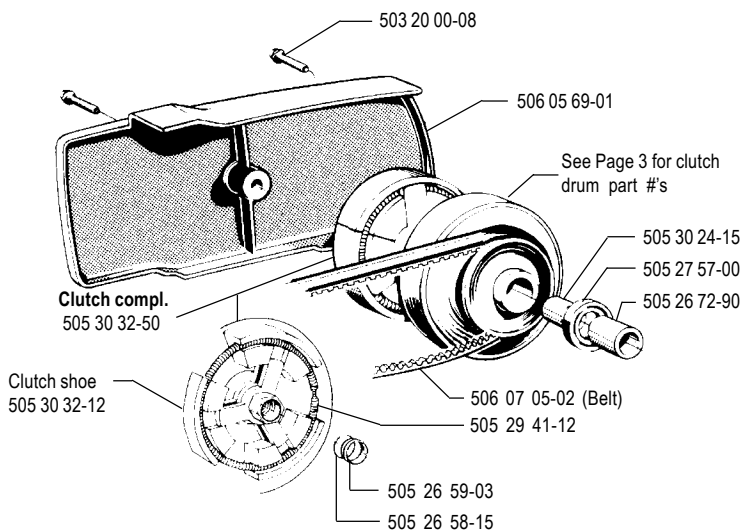
---

**PARTNER®**

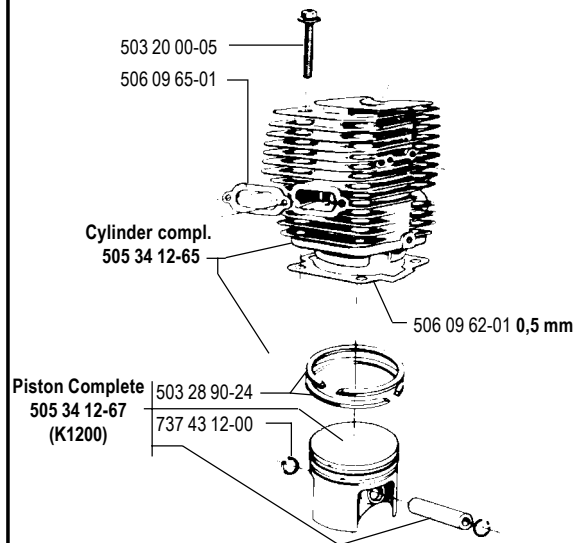
**A**



**B**

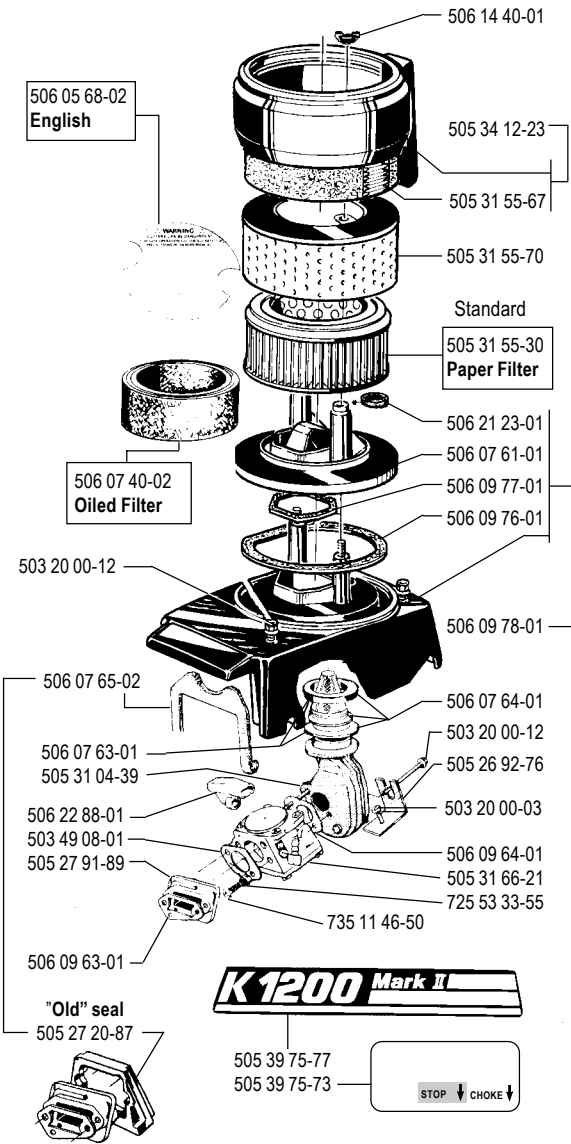


**C**

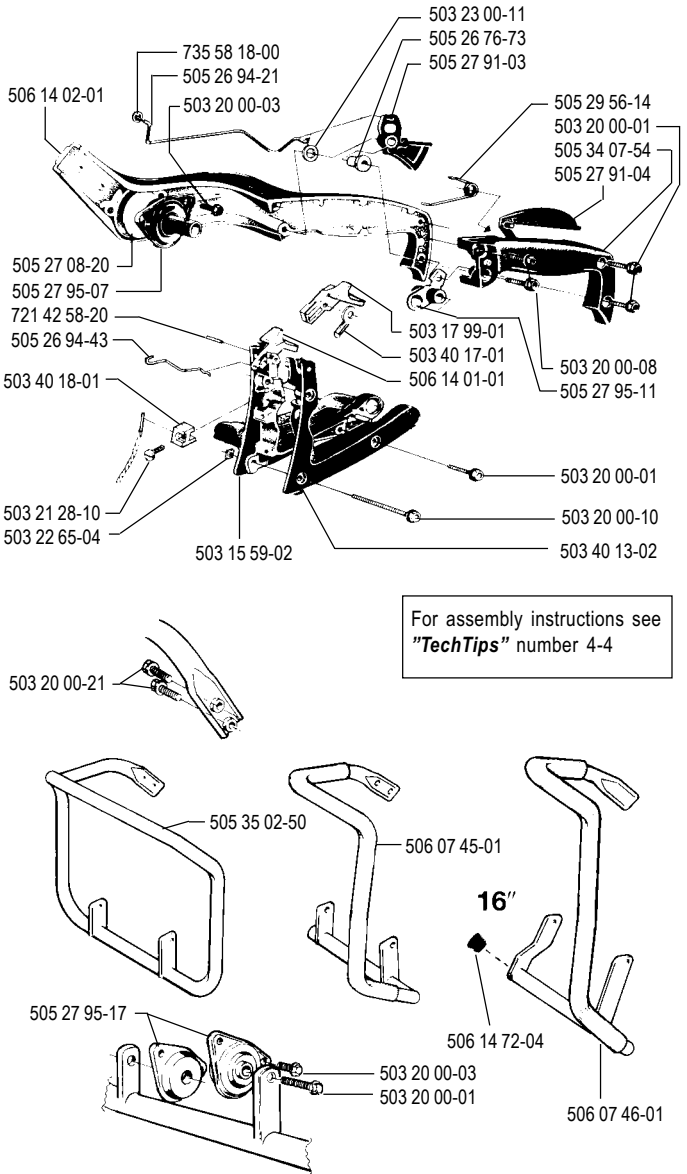


**Note:** All parts interchange with the model **K850 Mark II** except:  
 Piston Complete K850 (52 mm bore) 505 34 08-12  
 Piston Ring K850 503 28 90-19

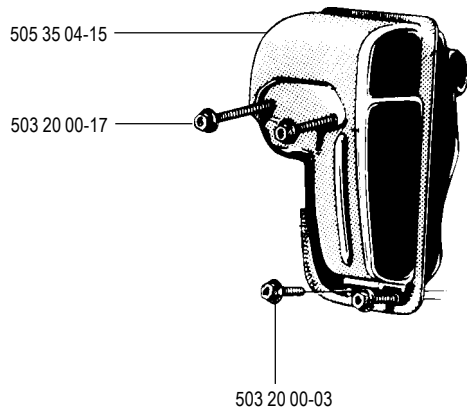
# D



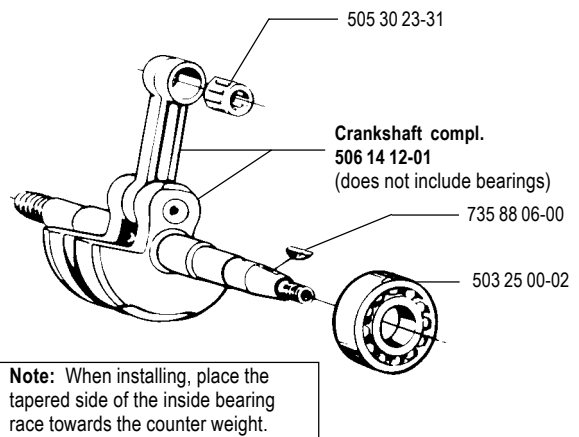
# E



# F

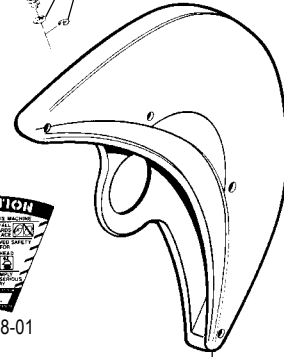
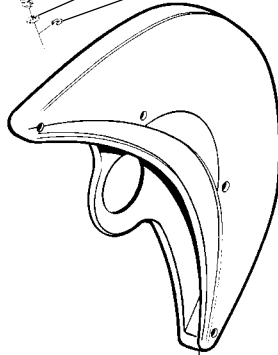
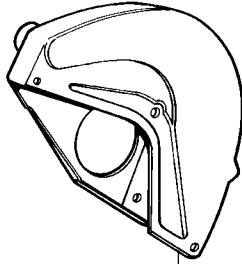
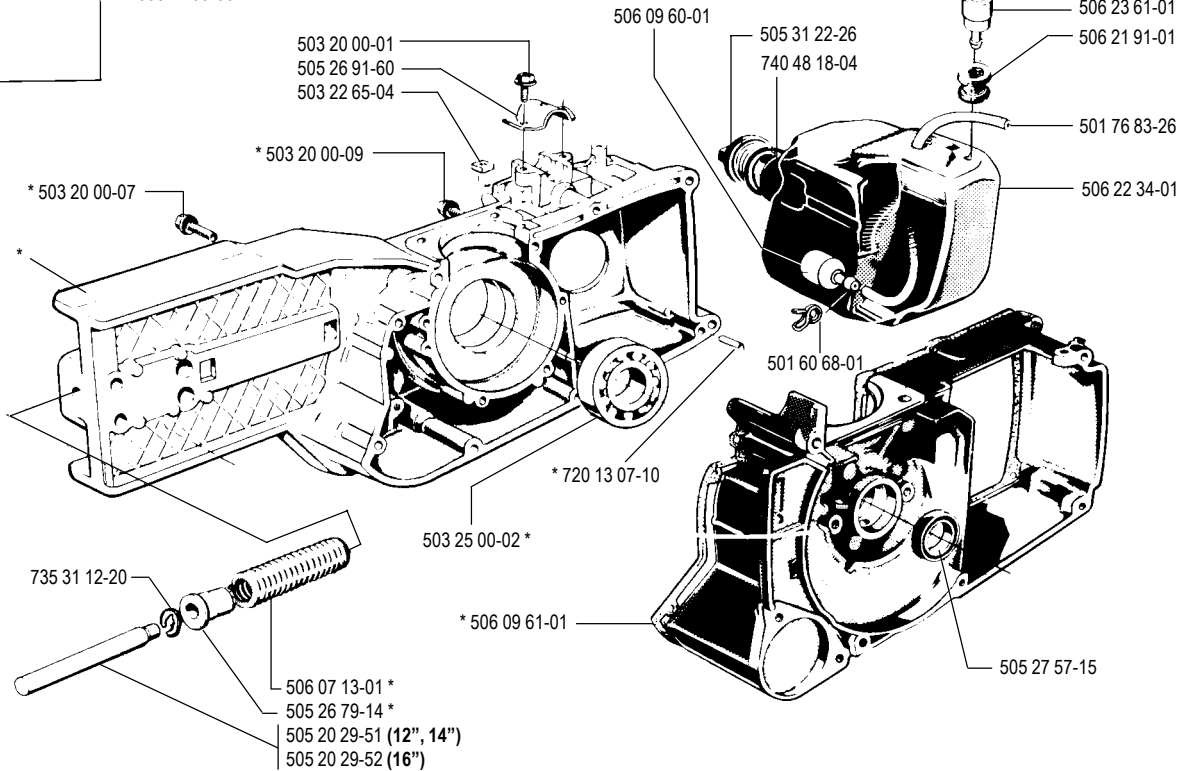


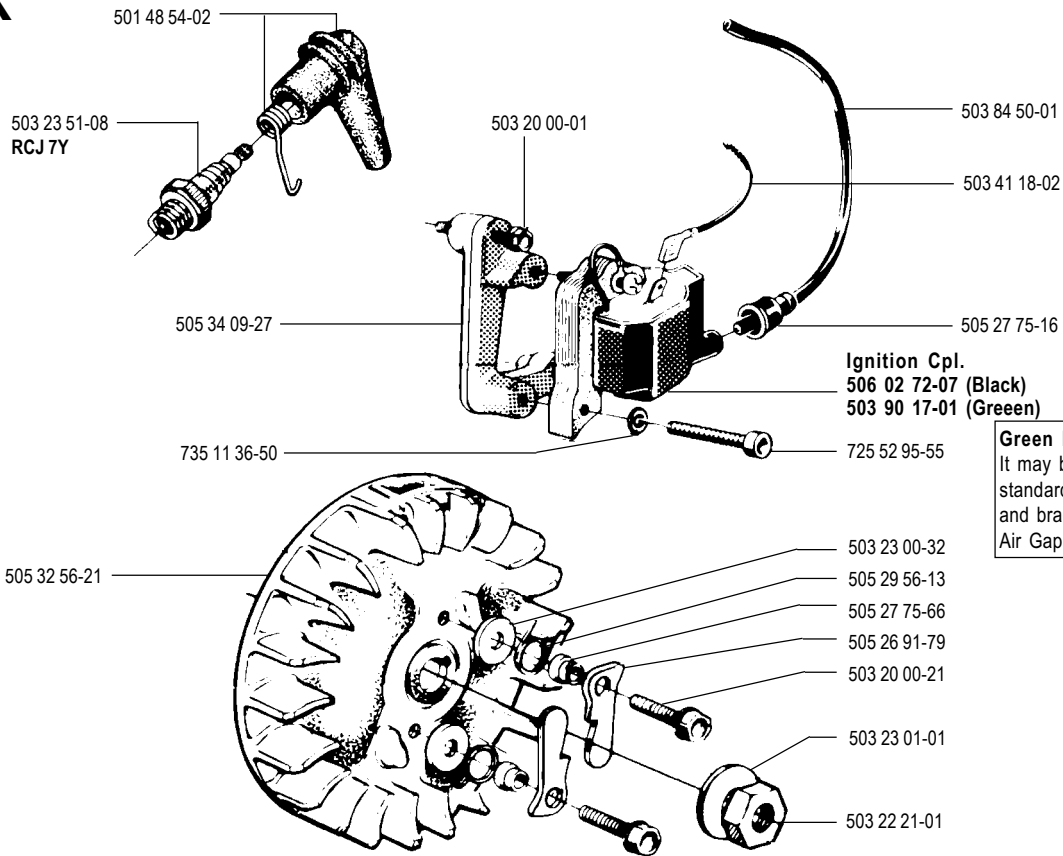
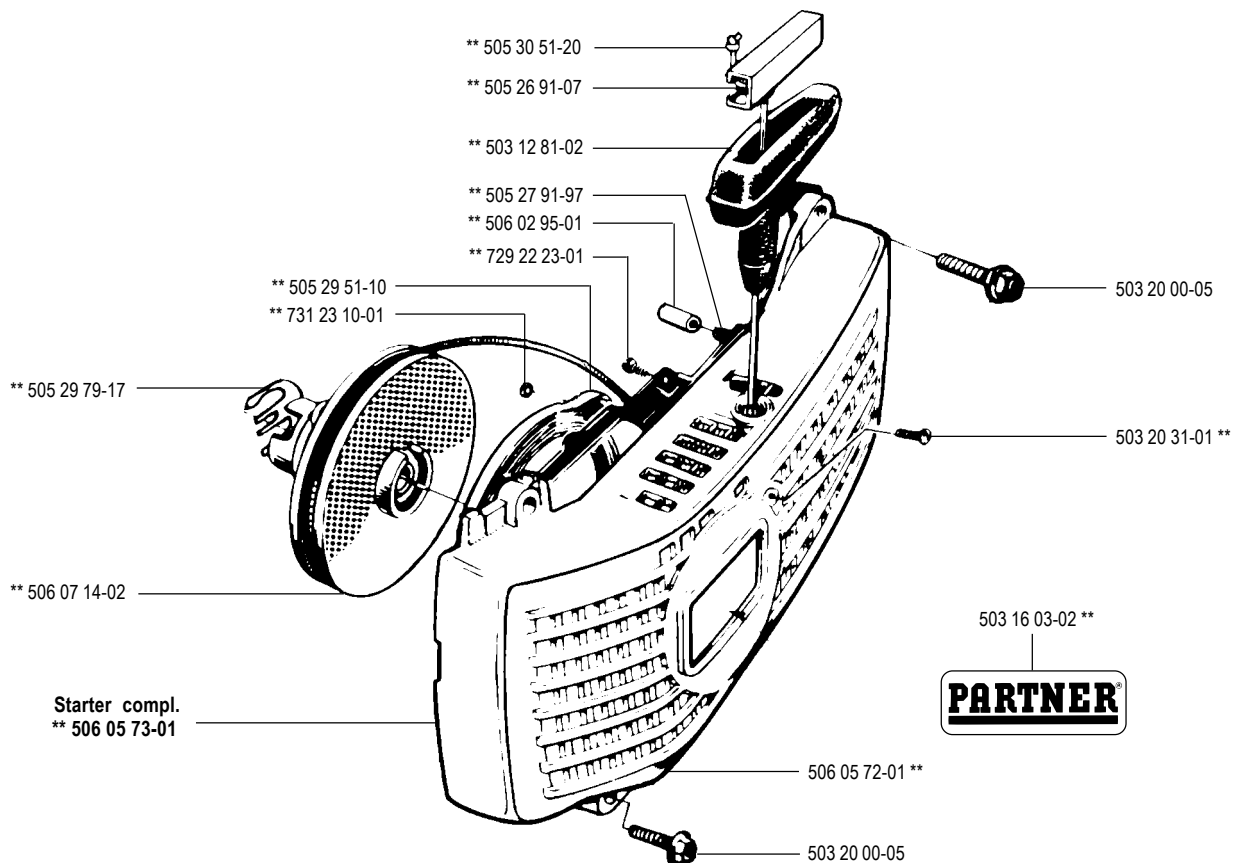
# G



**H**12"/100 (red)  
506 07 03-0312"/80 + 14"/100 (yellow)  
506 07 03-02

506 02 98-02

16" (blue)  
506 07 03-04506 02 98-01  
506 02 95-01  
503 23 00-05  
506 02 96-01  
506 21 21-01  
735 31 09-20506 02 98-04  
506 02 95-03  
503 23 00-05  
506 02 96-01  
506 21 21-01  
735 31 09-20506 02 95-02  
503 23 00-05  
506 02 96-01  
506 21 21-01  
735 31 09-2012" Guard Cpl.  
506 26 00-0214" Guard Cpl.  
506 13 82-0116" Guard Cpl.  
506 13 83-01**J**\* Crankcase compl.  
506 07 15-01Vent compl.  
506 07 11-13Gasket Kit cpl.  
505 27 99-35

**K****L**

# M

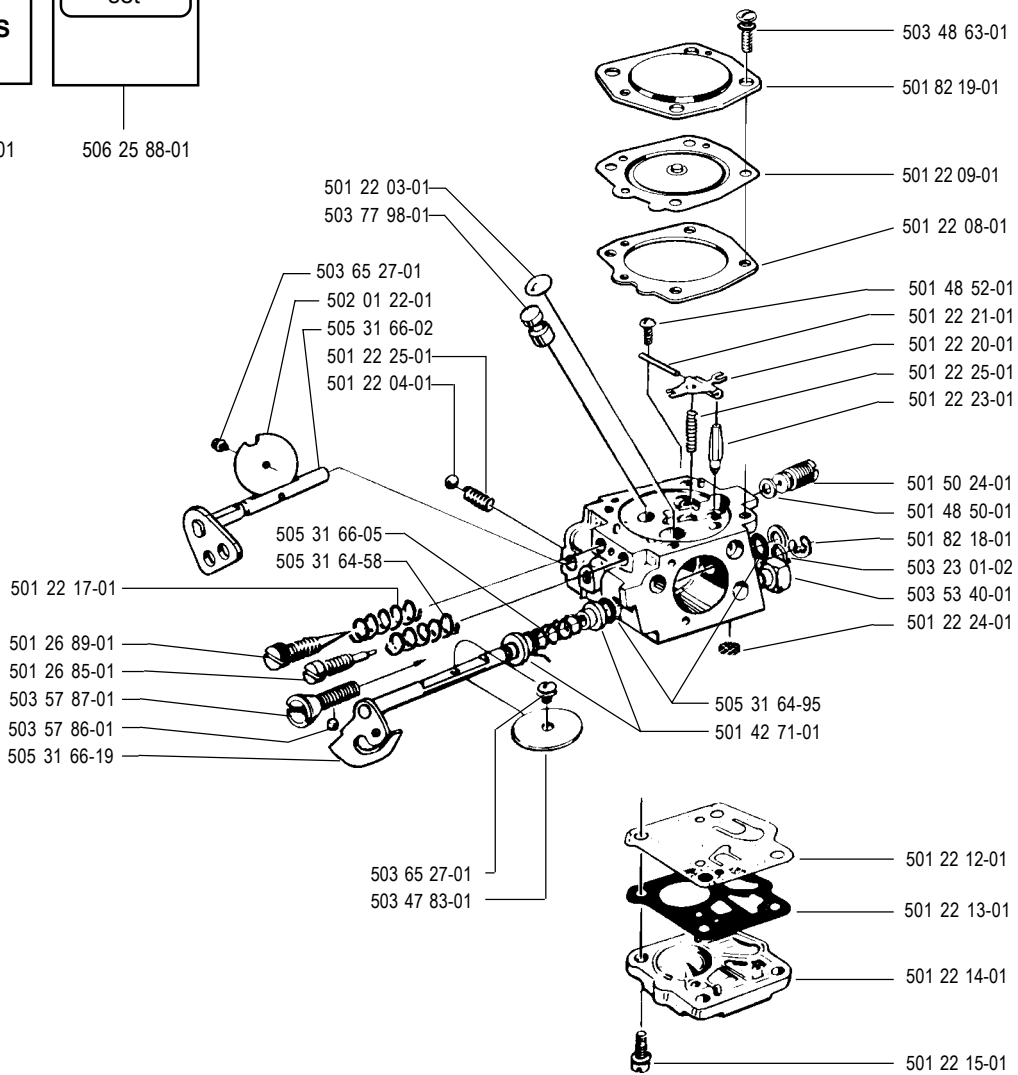
Carburetor compl. 505 31 66-21  
Tillotson HS 175 D

Repair kit  
RK 31HS

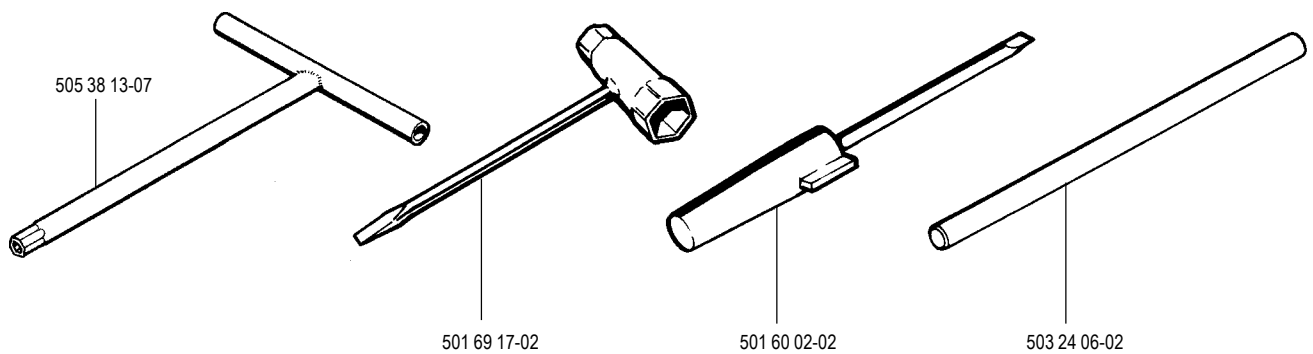
506 27 63-01

Diaphragm and gasket set

506 25 88-01



# N

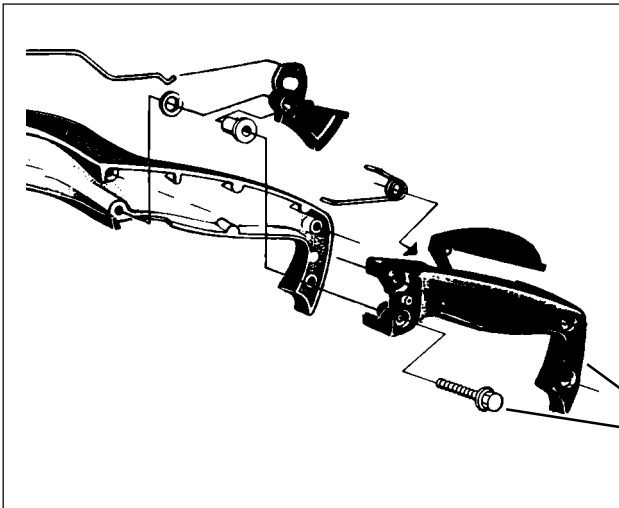


| No.           | Pos.    | Description               | No.          | Pos. | Description              | No.          | Pos. | Description          |
|---------------|---------|---------------------------|--------------|------|--------------------------|--------------|------|----------------------|
| 501 22 03-01  | M       | Plug                      | 505 26 58-15 | B    | Holder                   | 506 03 62-04 | A    | Spacer               |
| 501 22 04-01  | M       | Ball                      | 505 26 59-03 | B    | Ring                     | 506 03 88-01 | H    | Warning label        |
| 501 22 08-01  | M       | Gasket, metering side     | 505 26 72-90 | B,O  | Hub                      | 506 03 95-20 | A    | Bushing              |
| 501 22 09-01  | M       | Metering diaphragm        | 505 26 76-73 | E    | Spacer                   | 506 03 95-22 | A    | Bushing              |
| 501 22 12-01  | M       | Fuel pump diaphragm       | 505 26 78-79 | A    | Tube                     | 506 03 95-25 | A    | Bushing              |
| 501 22 13-01  | M       | Gasket, pump side         | 505 26 79-14 | J,O  | Guide                    | 506 05 68-02 | D    | Label                |
| 501 22 15-01  | M       | Screw                     | 505 26 91-07 | L    | Housing                  | 506 05 68-03 | D    | Label                |
| 501 22 17-01  | M       | Spring                    | 505 26 91-60 | J    | Plate                    | 506 05 69-01 | B    | Clutch cover         |
| 501 22 20-01  | M       | Lever                     | 505 26 91-79 | K    | Starter pawl             | 506 05 71-03 | A    | V-belt protector     |
| 501 22 23-01  | M       | Needle                    | 505 26 92-76 | D    | Mounting bracket         | 506 05 72-01 | L    | Fan casing           |
| 501 22 24-01  | M       | Filter                    | 505 26 94-21 | E    | Throttle rod             | 506 05 73-01 | L    | Starter assembly     |
| 501 22 25-01  | M       | Spring                    | 505 26 94-43 | E    | Choke rod                | 506 07 01-03 | A    | Housing              |
| 501 26 85-01  | M       | Needle L                  | 505 27 08-20 | E    | Shim                     | 506 07 03-02 | H    | Clutch drum          |
| 501 26 89-01  | M       | Needle H                  | 505 27 20-87 | D    | Seal, "old"              | 506 07 03-03 | H    | Clutch drum          |
| 501 42 71-01  | M       | Bushing                   | 505 27 57-00 | B    | Seal ring (large)        | 506 07 03-04 | H    | Clutch drum          |
| 501 48 50-01  | M       | Gasket                    | 505 27 57-15 | J    | Seal ring (small)        | 506 07 05-02 | B    | V-belt               |
| 501 48 52-01  | M       | Screw                     | 505 27 75-16 | K    | Insulating cap           | 506 07 06-01 | A    | Mounting plate       |
| 501 48 54-02  | K       | Spark plug connecting kit | 505 27 75-66 | K    | Bearing housing          | 506 07 07-01 | A    | Flange, support      |
| 501 50 24-01  | M       | Governor                  | 505 27 91-03 | E    | Throttle control         | 506 07 08-01 | A    | Spacer               |
| 501 60 02-02  | N       | Screwdriver               | 505 27 91-04 | E    | Throttle catch           | 506 07 09-01 | A    | Washer               |
| 501 60 68-01  | J       | Clamp                     | 505 27 91-89 | D    | Insulating flange        | 506 07 11-13 | J    | Hose                 |
| 501 69 17-02  | N       | Combi tool                | 505 27 91-97 | L    | Plate                    | 506 07 13-01 | J,O  | Spring               |
| 501 76 83-04  | J       | Hose                      | 505 27 95-07 | E    | Absorber                 | 506 07 14-02 | L    | Starter pulley       |
| 501 76 83-26  | J       | Hose, 245 mm              | 505 27 95-11 | E    | Absorber                 | 506 07 15-01 | J    | Crankcase            |
| 501 82 18-01  | M       | Retaining ring            | 505 27 95-17 | E    | Absorber                 | 506 07 18-02 | A    | Pulley               |
| 501 82 19-01  | M       | Cover                     | 505 27 99-35 | J    | Gasket set               | 506 07 40-02 | D    | Air filter           |
| 502 01 22-01  | M       | Choke flap                | 505 29 41-12 | B    | Spring                   | 506 07 45-01 | E    | Handle, front        |
| 503 12 81-02  | L       | Starter handle            | 505 29 51-10 | L    | Recoil spring            | 506 07 46-01 | E    | Handle, front        |
| 503 15 59-02  | E       | Bracket right             | 505 29 56-13 | K    | Spring                   | 506 07 61-01 | D    | Filter holder        |
| 503 16 03-02  | L       | Decal                     | 505 29 56-14 | E    | Spring                   | 506 07 63-01 | D    | Gasket set           |
| 503 17 99-01  | E       | Stop button               | 505 29 79-17 | L    | Lock spring              | 506 07 64-01 | D    | Filter set           |
| 503 20 00-01  | A,E,J,K | Screw M6SF 5x20           | 505 30 23-31 | G,O  | Needle bearing           | 506 07 65-02 | D    | Seal                 |
| 503 20 00-03  | D,E,F   | Screw M6SF 5x12           | 505 30 24-15 | B    | Support bushing          | 506 09 60-01 | J    | Filter               |
| 503 20 00-05  | C,L,O   | Screw M6SF 5x25           | 505 30 32-12 | B    | Clutch shoe              | 506 09 61-01 | J,O  | Gasket               |
| 503 20 00-07  | J,O     | Screw M6SF 5x40           | 505 30 32-50 | B    | Clutch                   | 506 09 62-01 | C,O  | Gasket               |
| 503 20 00-08  | A,B,E   | Screw M6SF 5x30           | 505 30 51-20 | L    | Starter rope             | 506 09 63-01 | D    | Gasket               |
| 503 20 00-09  | J,O     | Screw M6SF 5x45           | 505 31 04-39 | D    | Intake pipe              | 506 09 64-01 | D    | Gasket               |
| 503 20 00-10  | E       | Screw M6SF 5x55           | 505 31 22-26 | J    | Tank cap                 | 506 09 65-01 | C    | Gasket               |
| 503 20 00-12  | D       | Screw M6SF 5x70           | 505 31 55-30 | D    | Air filter               | 506 09 76-01 | D    | Seal                 |
| 503 20 00-17  | F       | Screw M6SF 5x80           | 505 31 55-67 | D    | Pre-filter               | 506 09 77-01 | D    | Seal                 |
| 503 20 00-21  | E,K     | Screw M6SF 5x18           | 505 31 55-70 | D    | Filter                   | 506 09 78-01 | D    | Cylinder cover       |
| 503 20 00-45  | A       | Screw                     | 505 31 64-58 | M    | Pressure spring          | 506 13 82-01 | H    | Guard                |
| 503 20 31-01  | L       | Screw LKCS 3x10           | 505 31 64-95 | M    | Sealing ring             | 506 13 83-01 | H    | Guard                |
| 503 21 28-10  | E       | Screw                     | 505 31 66-02 | M    | Choke shaft              | 506 13 95-01 | A    | Washer               |
| 503 22 00-01  | A       | Nut M6MF M8               | 505 31 66-05 | M    | Spring                   | 506 13 96-01 | A    | Screw                |
| 503 22 21-01" | K       | Lock nut M8x1             | 505 31 66-19 | M    | Throttle shaft           | 506 14 01-01 | E    | Choke button         |
| 503 22 65-04  | E,J     | Nut                       | 505 31 66-21 | D    | Carburetor               | 506 14 02-01 | E    | Handle, right        |
| 503 23 00-05  | H       | Washer 6.5x11             | 505 32 56-21 | K    | Flywheel                 | 506 14 12-01 | G,O  | Crankshaft           |
| 503 23 00-11  | E       | Washer 5.3x12             | 505 34 07-54 | E    | Handle, left half        | 506 14 32-02 | A    | Catch                |
| 503 23 00-32  | K       | Washer 5.3x15             | 505 34 08-12 | C    | Piston cpl, 52 mm K850   | 506 14 40-01 | D    | Wing nut             |
| 503 23 01-01  | K       | Washer 8.4x16             | 505 34 09-27 | K    | Bracket                  | 506 14 72-04 | E    | Plug                 |
| 503 23 01-02  | M       | Washer 5.25x9             | 505 34 12-23 | D    | Rubber cover             | 506 21 21-01 | H    | Washer               |
| 503 23 01-04  | A       | Washer 15x21              | 505 34 12-65 | C,O  | Cylinder cpl.            | 506 21 23-01 | D    | Gasket               |
| 503 23 51-08  | K,O     | Spark plug RCJ7Y          | 505 34 12-67 | C,O  | Piston cpl, 56 mm        | 506 21 91-01 | J    | Grommet              |
| 503 24 06-02  | N       | Pin 3.6x120               | 505 35 02-50 | E    | Handle                   | 506 22 34-01 | J    | Tank                 |
| 503 25 00-02  | G,J,O   | Ball bearing 6203C3QE6    | 505 35 04-15 | F    | Silencer                 | 506 22 88-01 | D    | Screw driver guide   |
| 503 25 22-01  | A       | Ball bearing              | 505 38 13-07 | N    | Socket wrench            | 506 23 61-01 | J    | Tank ventilation     |
| 503 28 90-24  | C,O     | Piston ring               | 505 39 75-73 | D    | Label start instructions | 506 25 88-01 | M    | Gasket kit           |
| 503 40 13-02  | E       | Bracket left              | 505 39 75-77 | D    | Decal                    | 506 26 00-02 | H    | Guard                |
| 503 40 17-01  | E       | Contact spring            | 506 01 31-01 | A    | Bolt                     | 506 26 75-01 | A    | Plastic seal         |
| 503 40 18-01  | E       | Holder                    | 506 02 72-07 | K    | Ignition cpl             | 506 27 63-01 | M    | Repair kit           |
| 503 41 18-02  | K       | Cable                     | 506 02 84-01 | A    | Washer                   | 720 13 07-10 | J,O  | Pin                  |
| 503 47 83-01  | M       | Throttle flap             | 506 02 85-72 | A    | Shaft                    | 721 42 58-20 | E    | Spring pin 4x24      |
| 503 48 63-01  | M       | Cover screw               | 506 02 87-01 | A    | Washer                   | 725 52 95-55 | K    | Screw MC6S 4x20      |
| 503 49 08-01  | D       | Gasket                    | 506 02 88-30 | A    | Bushing                  | 725 53 33-55 | D    | Screw MC6S 5x25      |
| 503 53 40-01  | M       | Nipple                    | 506 02 95-01 | H,L  | Hose                     | 729 22 23-01 | L    | Screw CSK B4x8       |
| 503 57 86-01  | M       | Ball                      | 506 02 95-02 | H    | Hose                     | 731 23 10-01 | L    | Nut M6M M3           |
| 503 57 87-01  | M       | Idle adjustment screw     | 506 02 95-03 | H    | Hose                     | 735 11 36-50 | K    | Spring washer 4.3x8  |
| 503 65 27-01  | M       | Screw                     | 506 02 96-01 | H    | Spring                   | 735 11 46-50 | D    | Spring washer 5.3x10 |
| 503 77 98-01  | M       | Valve                     | 506 02 98-01 | H    | Control knob             | 735 31 09-20 | H    | E-ring 5             |
| 503 84 50-01  | K       | Cable                     | 506 02 98-02 | H    | Control knob             | 735 31 12-20 | J    | Retaining ring       |
| 504 35 72-01  | J       | Fuel filter               | 506 02 98-04 | H    | Lever                    | 735 58 18-00 | E    | Lock washer 2.4      |
| 505 20 29-51  | J       | Pushrod                   | 506 03 45-01 | A    | Washer                   | 735 88 06-00 | G    | Woodruff key         |
| 505 20 29-52  | J       | Rod                       | 506 03 62-01 | A    | Spacer                   | 737 43 12-00 | G,O  | Retaining ring       |
| 505 26 21-72  | A       | Eccentric                 | 506 03 62-02 | A    | Spacer                   | 740 48 18-04 | J    | O-ring               |

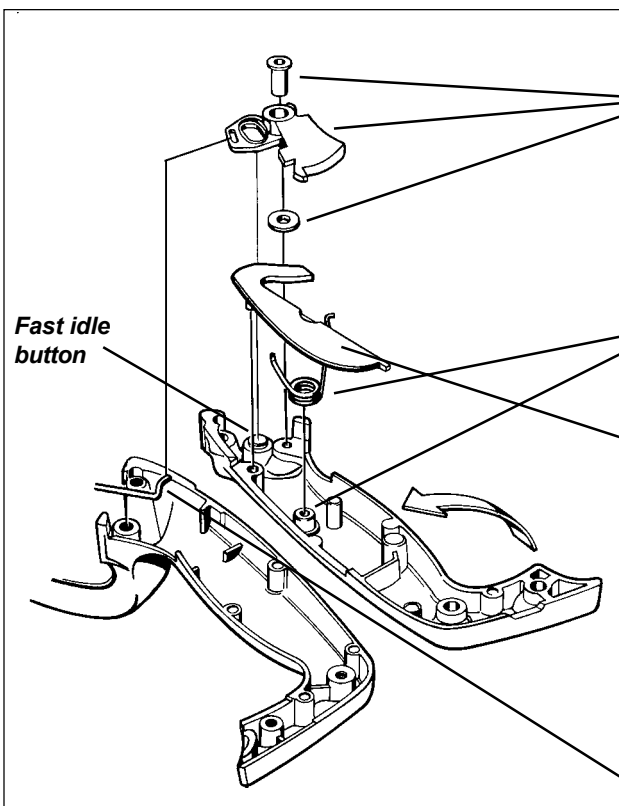


### Assembly of Rear Handle K650/K700 and K1200

When the handle is apart, follow these steps for re-assembly.



1. Insert the longer handle screw into this hole in the left handle half . This screw acts as a pivot for the trigger.



2. Install the **washer**, **trigger** and **sleeve** onto the screw.

3. Install the **spring** on the post identified in the drawing and insert the hook on the spring into matching hole on the trigger.

4. Install the **throttle lockout**.

5. Set the **fast idle button** by pressing on the throttle lockout and the trigger simultaneously. The fast idle button effectively holds the parts in place.

6. Install the handle assembly onto throttle linkage.