

PARTS LIST

CHAIN SAW

G3300
G3300EZ
G3300E

NOTE :

1. Use ZENOAH genuine parts specified in the parts list for repair and/or replacement.
2. ZENOAH does not warrant the machines, those which have been damaged by the use of any parts other than those specified by the company.
3. When placing orders of parts for repair and/or replacement, check if the model name and the serial number are suitable to those specified in the parts list, then use parts number described in the parts list.
4. The contents described in the parts list may change due to improvement.
5. The parts for the machine shall be supplied within ten (10) years after the machine is discontinued. [It is possible that some specific parts may be subject to change of their delivery term and list price within the limit of ten (10) years after the machine is discontinued. And it is also possible that some parts may be available even after the limit of ten (10) years.]

Fig.1 POWER UNIT

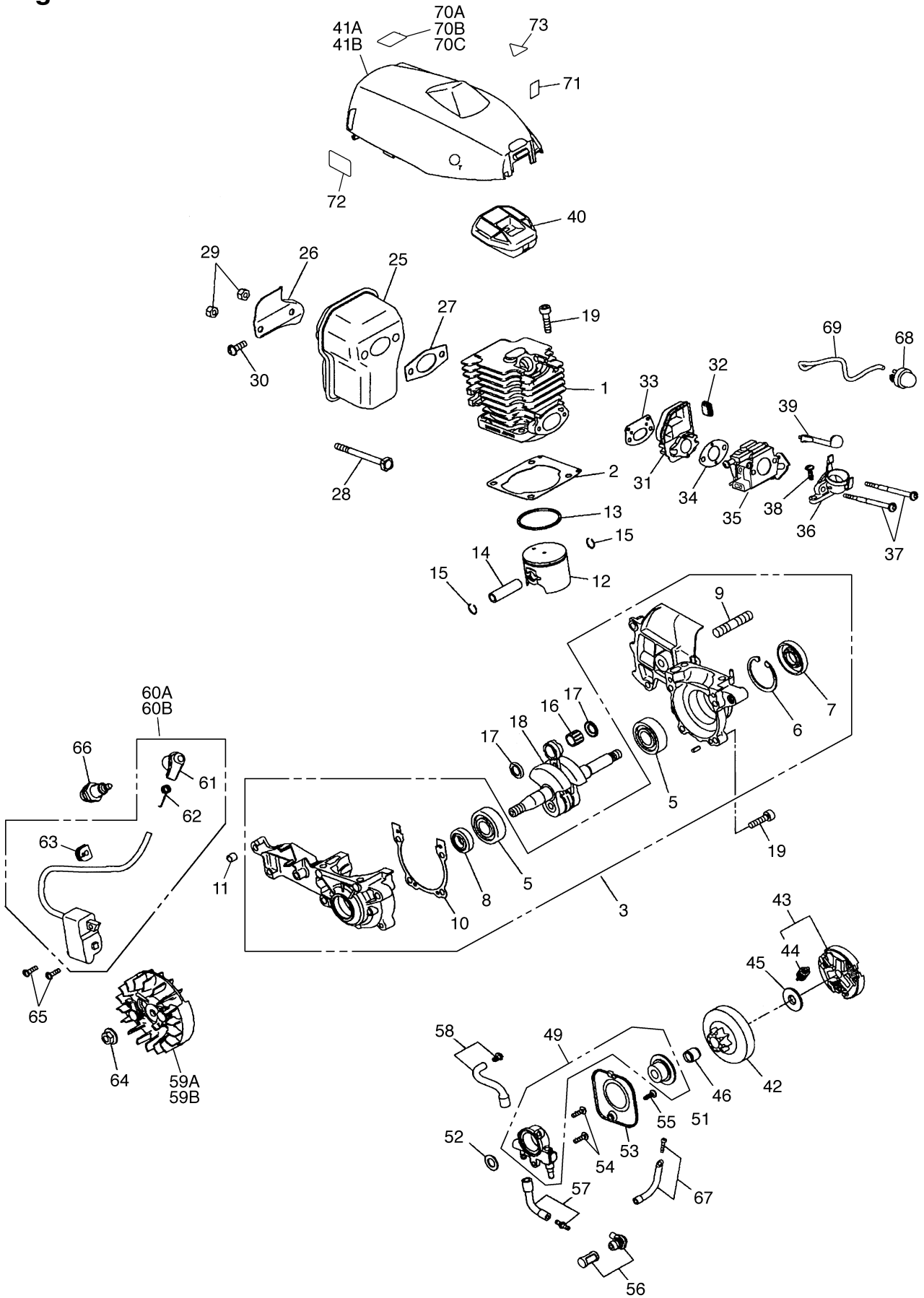


Fig.1 POWER UNIT

Key#	PART NUMBER	DESCRIPTION	Q'TY /UNIT	NOTE	Key#	PART NUMBER	DESCRIPTION	Q'TY /UNIT	NOTE
1	848C3012A1	CYLINDER	1		57	848C306732	PIPE IN COMP.	1	
2	T2200-14210	GASKET, cyl	1	*	58	T2200-21400	PIPE OUT COMP.	1	
3	848C302102	CASE ASSY	1		59A	848C357111	ROTOR COMP.	1	G3300
5	06030-06201	• BEARING	2		59B	848C307111	ROTOR COMP.	1	G3300EZ G3300E
6	04065-03212	• SNAPRING ϕ 32	1		60A	848C357121	COIL ASSY	1	G3300
7	2169-21210	• SEAL	1		60B	848C307121	COIL ASSY	1	G3300EZ G3300E
8	8488AC3210	• SEAL	1		61	2850-72110	• CAP	1	
9	2616-21230	• STUD	1		62	1400-72121	• SPRING	1	
10	848C3021D1	• GASKET	1	*	63	5500-72130	• GROMMET	1	
11	8488Y56000	SPACER	1		64	1650-43230	NUT M8xP1.0	1	
12	T2200-41110	PISTON	1		65	2670-55410	SCREW M4xL14 T20	2	
13	T2102-41210	RING	1		66	3699-90032-10	SPARK PLUG	1	BPMR7A
14	T2200-41310	PIN	1		67	T2100-31500	PIPE COMP.	1	
15	3310-41320	RING	2		68	2850-81900	PUMP	1	
16	3310-41410	BEARING	1		69	2850-82611	PIPE	1	
17	1650-41510	WASHER	2		70A	848C3590F0	LABEL, caution	1	G3300
18	T2200-42000	SHAFT COMP.	1		70B	848C3690F0	LABEL, caution	1	G3300EZ
19	4820-13180	BOLT TORX M5xL20 T27	8		70C	848C3F90F0	LABEL, caution	1	G3300E
25	T2200-15110	MUFFLER	1		71	848C3090E0	LABEL, choke	1	
26	T2200-15310	STAY	1		72	T2990-21120	LABEL	1	
27	T2100-15210	GASKET	1	*	73	848C1B90G0	LABEL, hot mark	1	G3300E
28	T2100-15220	BOLT	2			848C300610	GASKET KIT (*: #2,10,27,33,34)	1	OPTION
29	2850-15230	NUT	2		** : Attach KNOB (848C3025C2) to the 41A(COVER) Attach KNOB (574556401) to the 41B(COVER, cyl)				
30	8488151400	SCREW M5xL14 T27	1						
31	848C3014A1	INSULATOR	1		*** : G3300 SN #914240 and up G3300E SN #914180 and up				
32	T2200-31120	CAP	1						
33	848C3014B1	GASKET, in	1	*					
34	3330-14121	GASKET,carb	1	*					
35	848C3A8100	CARBURETOR ASSY	1	WT748					
36	848C3082A2	MANIFOLD	1						
37	2867-82210	BOLT M4x70	2						
38	8488251601	SCREW TP5(P-tight)xL16 T27	1						
39	848C3082F2	ROD CHOKE	1						
40	T2200-83100	CLEANER	1						
41A	848C3031A2	COVER	1	**					
41B	574625101	COVER, cyl	1	***					
42	T2220-51110	DRUM 3/8x6T ϕ 60	1						
43	848C305121	CLUTCH	1						
44	848C3051E2	• SPRING	3						
45	T2041-51210	PLATE	1						
46	3310-51310	BEARING	1						
49	848CA00640	OIL PUMP SET • OIL PUMP • WORM	1 1 1						
52	2850-55211	WASHER	1						
53	T2200-55610	COVER	1						
54	2670-55410	SCREW M4xL14 T20	2						
55	2670-54630	SCREW TP4(B-tight)xL12 T20	1						
56	T2100-23200	FILTER COMP.	1						

Fig.2 POWER UNIT

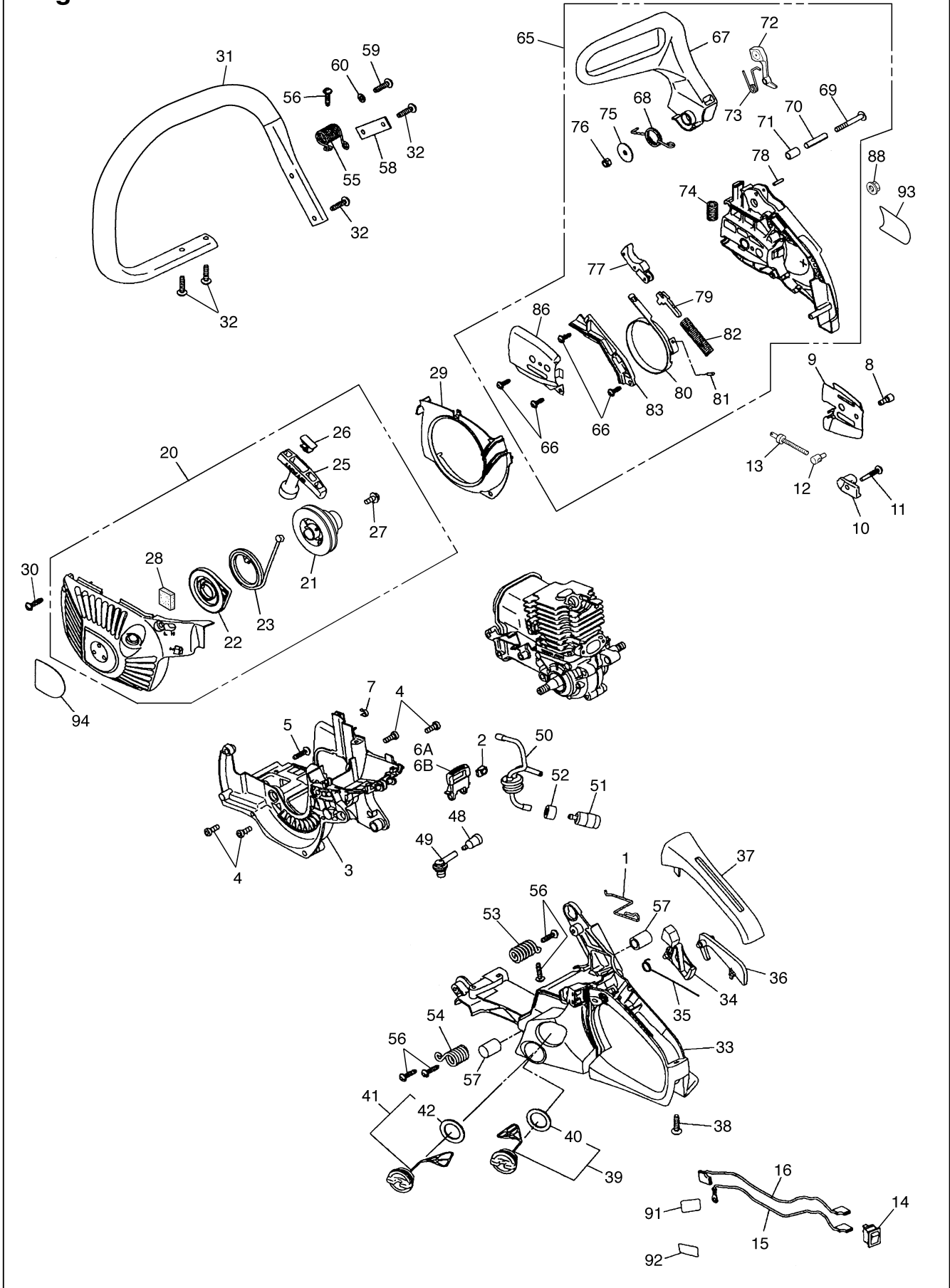


Fig.2 POWER UNIT

Key#	PART NUMBER	DESCRIPTION	Q'TY /UNIT	NOTE	Key#	PART NUMBER	DESCRIPTION	Q'TY /UNIT	NOTE
1	848C3082H3	ROD	1		58	848C3037E1	BAND	1	
2	848C3082G2	GROMMET	1		59	8488251601	SCREW TP5(P-tight)xL16 T27	1	
3	848C3025A2	CASE	1		60	01640-20508	WASHER	1	
4	8488151400	SCREW M5xL14 T27	4		65	848C355403	BRAKE ASSY	1	
5	8488251911	SCREW TP5(P-tight)xL19 T27	1		66	2670-54630	• SCREW TP4(B-tight)xL12 T20	4	
6A	848C3025C2	KNOB	1	*	67	848C3054A2	• GUARD	1	
6B	574556401	KNOB	1	**	68	2850-54120	• SPRING	1	
7	848C3025D0	CLIP	1		69	2850-54130	• SCREW	1	
8	T2200-21230	BOLT	1		70	2850-54140	• SPACER	1	
9	848C306612	PLATE	1		71	2850-54211	• SPACER	1	
10	848C3066F2	CATCHER	1		72	848C605423	• WEIGHT	1	
11	8488251911	SCREW TP5(P-tight)xL19 T27	1		73	2872-54230	• SPRING	1	
12	3310-53320	NUT	1		74	2851-54270	• SPRING	1	
13	8488353900	SCREW	1		75	3330-75411	• WASHER	1	
14	2850-74102	SWITCH ASSY	1		76	3310-53331	• NUT	1	
15	848C3072C1	CORD EARTH	1		77	2851-54301	• LEVER COMP.	1	
16	848C3072B1	CORD SWITCH	1		78	2851-54350	• ROLLER	1	
20	848C357502	STARTER ASSY	1		79	2670-54411	• ARM	1	
21	848C3575C1	• REEL	1		80	T2200-54510	• BAND	1	
22	2841-75300	• SPRING COMP.	1		81	3356-24140	• ROLLER	1	
23	T2044-75410	• ROPE ø3	1		82	2670-54610	• SPRING	1	
25	1400-75170	• KNOB	1		83	848C3053C2	• COVER	1	
26	T2044-75420	• KNOB CAP	1		86	848C3066C1	• PLATE(B)	1	
27	T1812-75150	• SCREW M5xL12	1		88	3350-53410	NUT	1	
28	848C3074B0	• CUSHION	1		91	848C3090K0	LABEL	1	
29	848C3074A1	COVER	1		92	848C3090L0	LABEL	1	
30	8488251911	SCREW TP5(P-tight)xL19 T27	3		93	848C3590B1	LABEL, cover	1	
31	848C3332A1	HANDLE	1		94	848C3590C1	LABEL, case	1	
32	8488252711	SCREW TP5(P-tight)xL27 T27	4						
33	848C303311	HANDLE COMP.	1						
34	848C3033C1	LEVER	1						
35	3356-33321	SPRING	1						
36	848C3033E3	ARM	1						
37	848C3033L1	COVER	1						
38	8488251911	SCREW TP5(P-tight)xL19 T27	1						
39	848C108512	CAP ASSY	1						
40	2841-31820	• GASKET	1						
41	848C208511	CAP ASSY	1						
42	2841-31820	• GASKET	1						
48	2850-34501	BREATHER ASSY	1						
49	848C3085U0	GROMMET	1						
50	848C308530	PIPE ASSY	1						
51	1850-85300	FILTER	1						
52	2850-34350	COLLAR	1						
53	848C3037A1	SPRING F	1						
54	848C3037B1	SPRING M	1						
55	848C3037C1	SPRING P	1						
56	8488251901	SCREW TP5(P-tight)xL19 T27	5						
57	848C3037D2	HELPER	2						

* :
Attach 6A KNOB to the 848C3031A2(COVER)
Attach 6B KNOB to the 574625101(COVER, cyl)

** :
G3300 SN #914240 and up
G3300E SN #914180 and up

Fig.3 POWER UNIT

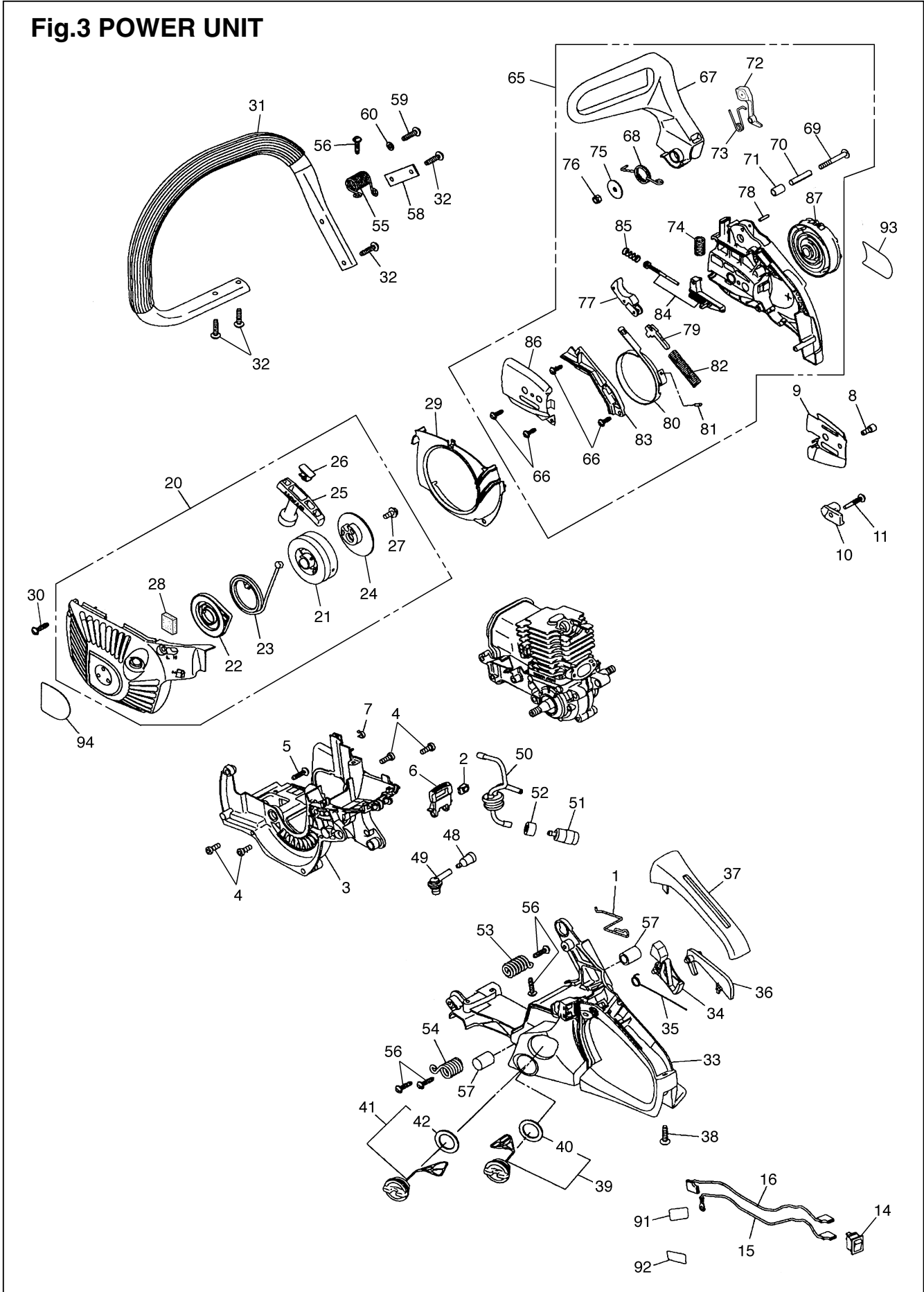


Fig.3 POWER UNIT

Key#	PART NUMBER	DESCRIPTION	Q'TY /UNIT	NOTE	Key#	PART NUMBER	DESCRIPTION	Q'TY /UNIT	NOTE
1	848C3082H3	ROD	1		60	01640-20508	WASHER	1	
2	848C3082G2	GROMMET	1						
3	848C3025A2	CASE	1		65	848C365401	BRAKE ASSY	1	
4	8488151400	SCREW M5xL14 T27	4		66	2670-54630	• SCREW TP4(B-tight)xL12 T20	3	
5	8488251911	SCREW TP5(P-tight)xL19 T27	1		67	848C3054A2	• GUARD	1	
6	848C3025C2	KNOB	1		68	2850-54120	• SPRING	1	
7	848C3025D0	CLIP	1		69	2850-54130	• SCREW	1	
8	T2200-21230	BOLT	1		70	2850-54140	• SPACER	1	
9	848C306612	PLATE	1		71	2850-54211	• SPACER	1	
10	848C3066F2	CATCHER	1		72	848C605423	• WEIGHT	1	
11	8488251911	SCREW TP5(P-tight)xL19 T27	1		73	2872-54230	• SPRING	1	
					74	2851-54270	• SPRING	1	
14	2850-74102	SWITCH ASSY	1		75	3330-75411	• WASHER	1	
15	848C3072C1	CORD EARTH	1		76	3310-53331	• NUT	1	
16	848C3072B1	CORD SWITCH	1		77	2851-54301	• LEVER COMP.	1	
					78	2851-54350	• ROLLER	1	
20	848C307502	STARTER ASSY	1		79	2670-54411	• ARM	1	
21	848C307520	• REEL COMP.	1		80	T2200-54510	• BAND	1	
22	2841-75300	• SPRING COMP.	1		81	3356-24140	• ROLLER	1	
23	T2044-75410	• ROPE ø3	1		82	2670-54610	• SPRING	1	
24	T2044-75510	• PULLEY	1		83	848C3053C2	• COVER	1	
25	1400-75170	• KNOB	1		84	T2200-53200	• LINK A	1	
26	T2044-75420	• KNOB CAP	1		85	T2200-53280	• SPRING	1	
27	T1812-75150	• SCREW M5xL12	1		86	848C3066C1	• PLATE(B)	1	
28	848C3074B0	• CUSHION	1		87	848C305341	• NUT ASSY	1	
29	848C3074A1	COVER	1						
30	8488251911	SCREW TP5(P-tight)xL19 T27	3		91	848C3090K0	LABEL	1	
31	T2200-32100	HANDLE	1		92	848C3090L0	LABEL	1	
32	8488251901	SCREW TP5(P-tight)xL19 T27	4		93	848C3090B1	LABEL, cover	1	
33	848C303311	HANDLE COMP.	1		94	848C3690C1	LABEL, case	1	
34	848C3033C1	LEVER	1						
35	3356-33321	SPRING	1						
36	848C3033E3	ARM	1						
37	848C3033L1	COVER	1						
38	8488251911	SCREW TP5(P-tight)xL19 T27	1						
39	848C108512	CAP ASSY	1						
40	2841-31820	• GASKET	1						
41	848C208511	CAP ASSY	1						
42	2841-31820	• GASKET	1						
48	2850-34501	BREATHER ASSY	1						
49	848C3085U0	GROMMET	1						
50	848C308530	PIPE ASSY	1						
51	1850-85300	FILTER	1						
52	2850-34350	COLLAR	1						
53	848C3037A1	SPRING F	1						
54	848C3037B1	SPRING M	1						
55	848C3037C1	SPRING P	1						
56	8488251901	SCREW TP5(P-tight)xL19 T27	5						
57	848C3037D2	HELPER	2						
58	848C3037E1	BAND	1						
59	8488251601	SCREW TP5(P-tight)xL16 T27	1						

Fig.4 POWER UNIT

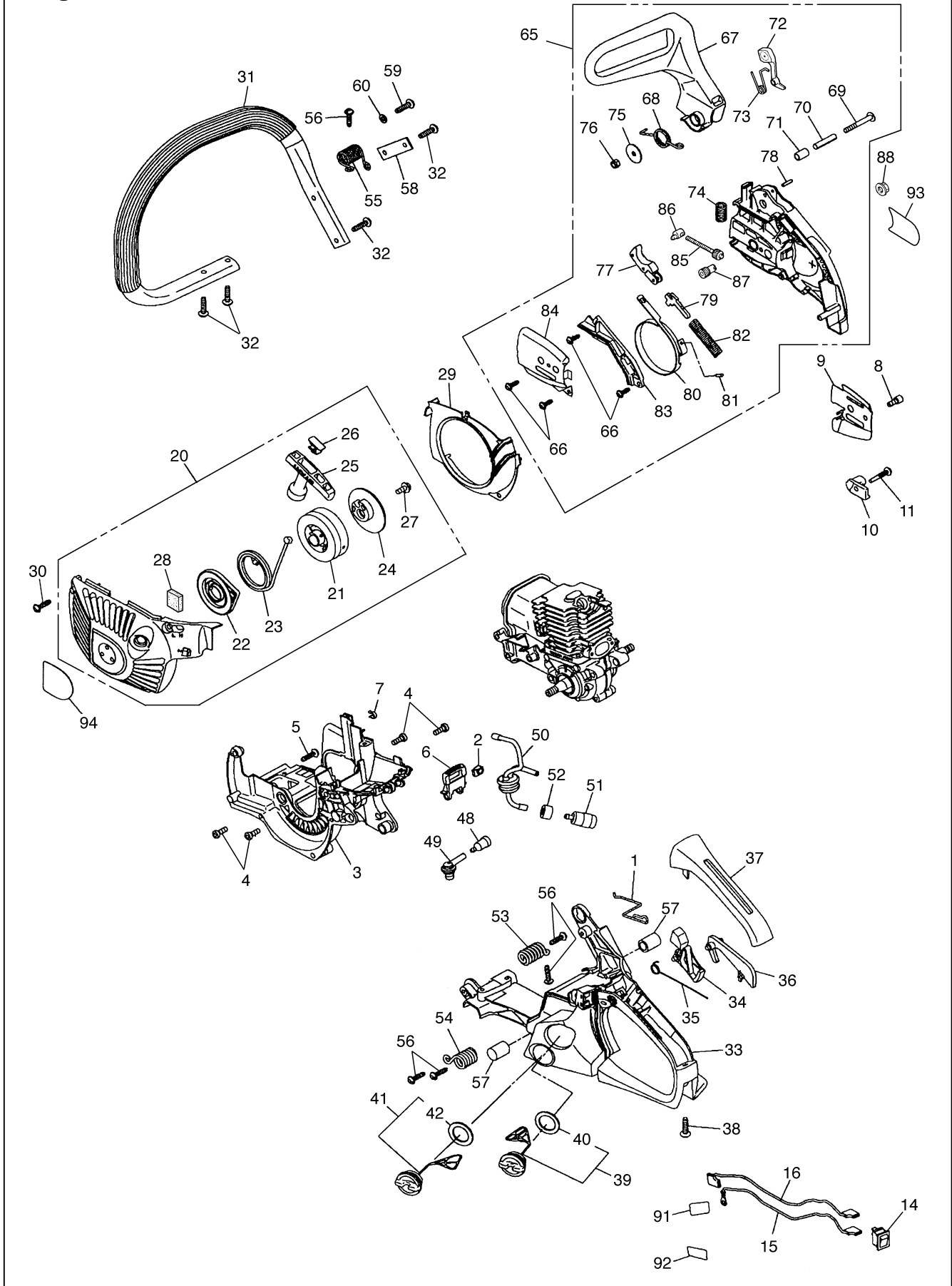
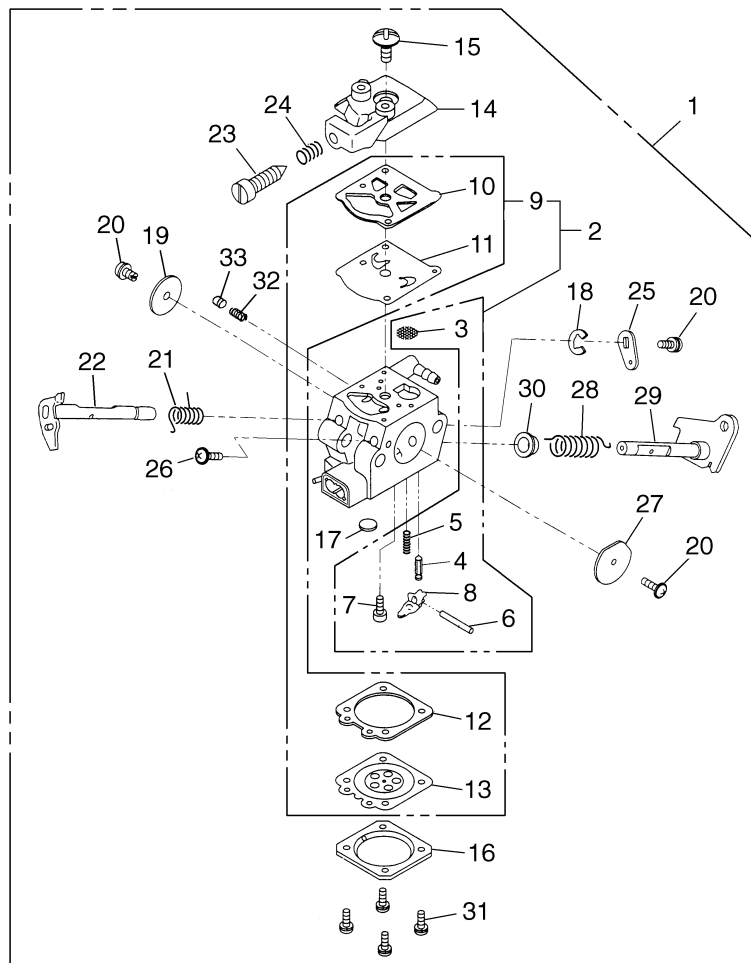


Fig.4 POWER UNIT

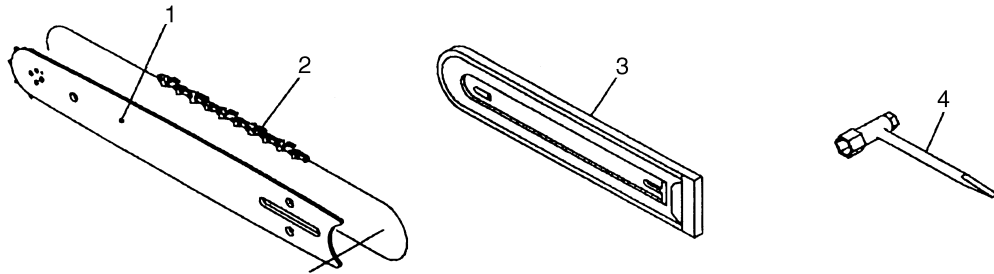
Key#	PART NUMBER	DESCRIPTION	Q'TY /UNIT	NOTE	Key#	PART NUMBER	DESCRIPTION	Q'TY /UNIT	NOTE
1	848C3082H3	ROD	1		60	01640-20508	WASHER	1	
2	848C3082G2	GROMMET	1						
3	848C3025A2	CASE	1		65	848C3A5401	BREAK ASSY	1	
4	8488151400	SCREW M5xL14 T27	4		66	2670-54630	• SCREW TP4(B-tight)xL12 T20	4	
5	8488251911	SCREW TP5(P-tight)xL19 T27	1		67	848C3054A2	• GUARD	1	
6	848C3025C2	KNOB	1		68	2850-54120	• SPRING	1	
7	848C3025D0	CLIP	1		69	2850-54130	• SCREW	1	
8	T2200-21230	BOLT	1		70	2850-54140	• SPACER	1	
9	848C306612	PLATE	1		71	2850-54211	• SPACER	1	
10	848C3066F2	CATCHER	1		72	848C605423	• WEIGHT	1	
11	8488251911	SCREW TP5(P-tight)xL19 T27	1		73	2872-54230	• SPRING	1	
					74	2851-54270	• SPRING	1	
14	2850-74102	SWITCH ASSY	1		75	3330-75411	• WASHER	1	
15	848C3072C1	CORD EARTH	1		76	3310-53331	• NUT	1	
16	848C3072B1	CORD SWITCH	1		77	2851-54301	• LEVER COMP.	1	
					78	2851-54350	• ROLLER	1	
20	848C307502	STARTER ASSY	1		79	2670-54411	• ARM	1	
21	848C307520	• REEL COMP.	1		80	T2200-54510	• BAND	1	
22	2841-75300	• SPRING COMP.	1		81	3356-24140	• ROLLER	1	
23	T2044-75410	• ROPE ø3	1		82	2670-54610	• SPRING	1	
24	T2044-75510	• PULLEY	1		83	848C3053C2	• COVER	1	
25	1400-75170	• KNOB	1		84	848C3066C1	• PLATE(B)	1	
26	T2044-75420	• KNOB CAP	1		85	2841-53240	• SCREW	1	
27	T1812-75150	• SCREW M5xL12	1		86	848C3366K0	• NUT	1	
28	848C3074B0	• CUSHION	1		87	2671-53230	• GEAR	1	
29	848C3074A1	COVER	1		88	3350-53410	NUT	1	
30	8488251911	SCREW TP5(P-tight)xL19 T27	3						
31	T2200-32100	HANDLE	1		91	848C3090K0	LABEL	1	
32	8488251901	SCREW TP5(P-tight)xL19 T27	4		92	848C3090L0	LABEL	1	
33	848C303311	HANDLE COMP.	1		93	848C3590B1	LABEL, cover	1	
34	848C3033C1	LEVER	1		94	848C3F90C1	LABEL, case	1	
35	3356-33321	SPRING	1						
36	848C3033E3	ARM	1						
37	848C3033L1	COVER	1						
38	8488251911	SCREW TP5(P-tight)xL19 T27	1						
39	848C108512	CAP ASSY	1						
40	2841-31820	• GASKET	1						
41	848C208511	CAP ASSY	1						
42	2841-31820	• GASKET	1						
48	2850-34501	BREATHER ASSY	1						
49	848C3085U0	GROMMET	1						
50	848C308530	PIPE ASSY	1						
51	1850-85300	FILTER	1						
52	2850-34350	COLLAR	1						
53	848C3037A1	SPRING F	1						
54	848C3037B1	SPRING M	1						
55	848C3037C1	SPRING P	1						
56	8488251901	SCREW TP5(P-tight)xL19 T27	5						
57	848C3037D2	HELPER	2						
58	848C3037E1	BAND	1						
59	8488251601	SCREW TP5(P-tight)xL16 T27	1						

Fig.5 CARBURETOR COMPONENTS

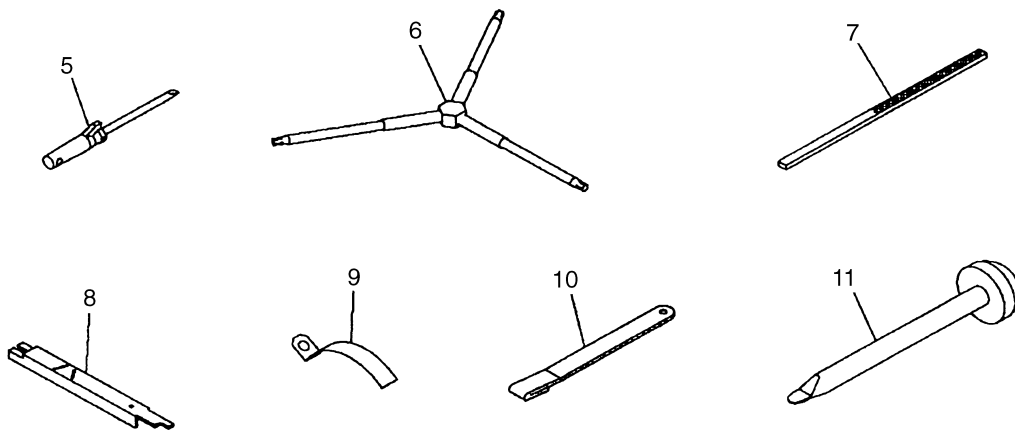


Key#	PART NUMBER	DESCRIPTION	Q'TY /UNIT	NOTE	Key#	PART NUMBER	DESCRIPTION	Q'TY /UNIT	NOTE
1	848C3A8100	CARBURETOR ASSY	1		19	3310-81341	• VALVE	1	
2	848C3A0630	• REBUILD-KIT	1	(OP)	20	2880-81470	• SCREW	3	
3	3306-81380	•• SCREEN	1		21	2670-81410	• SPRING	1	
4	3356-81310	•• VALVE	1		22	848C3A81T0	• SHAFT	1	
5	2841-81270	•• SPRING	1		23	2630-81330	• SCREW	1	
6	3310-81250	•• PIN	1		24	3350-81380	• SPRING	1	
7	3310-81240	•• SCREW	1		25	2670-81440	• LEVER	1	
8	3310-81230	•• LEVER	1		26	2850-81190	• SCREW	1	
9	T2100-06020	•• GASKET KIT	1	(OP)	27	2841-81450	• VALVE	1	
10	3304-81140	••• GASKET	1		28	T2002-81350	• SPRING	1	
11	1172-81150	••• DIAPHRAGM	1		29	848C3081E0	• SHAFT	1	
12	2850-81290	••• GASKET	1		30	2850-81430	• BUSHING	1	
13	3310-81260	••• DIAPHRAGM	1		31	3310-81351	• SCREW	4	
14	2850-81120	• COVER	1		32	2810-81530	• SPRING	1	
15	3310-81130	• SCREW	1		33	848C7180N0	• PISTON	1	
16	3310-81280	• COVER	1						
17	1480-81420	• PLUG	1						
18	1148-81390	• RING	1						

Fig.6 ACCESSORIES



OPTION



Key#	PART NUMBER	DESCRIPTION	Q'TY /UNIT	NOTE
1	848CB24G24	BAR 35-3/8	1	
2	3699-92733	CHAIN OREGON 91VX-52E	1	
3	3617-97110	PROTECTOR 300~350mm	1	
4	3320-91140	WRENCH	1	
5	2670-91150	DRIVER	1	OPTION
6	2850-96410	WRENCH	1	OPTION
7	3317-91210	FILE	1	OPTION
8	3310-91540	GAUGE	1	OPTION
9	3330-97310	GAUGE	1	OPTION
10	2670-96220	STOPPER	1	OPTION
11	2670-96510	GUIDE	1	OPTION