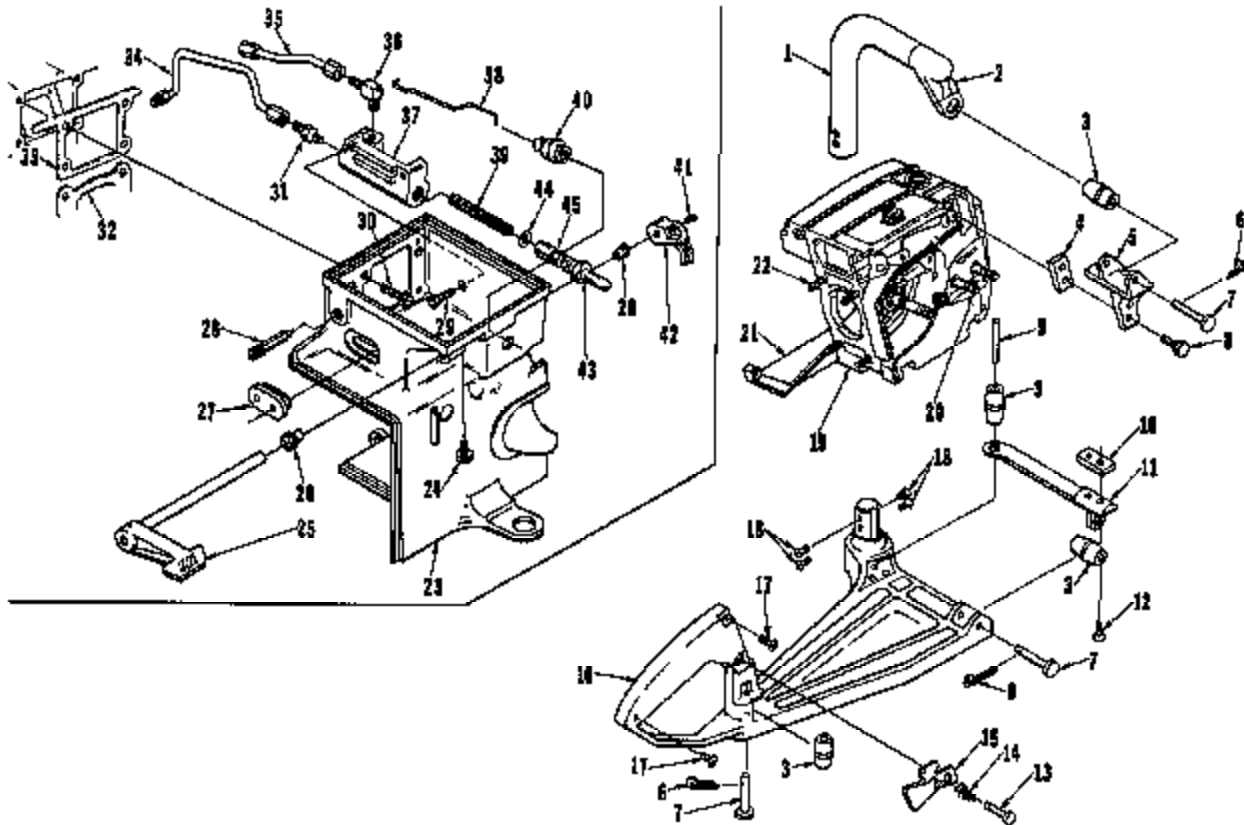


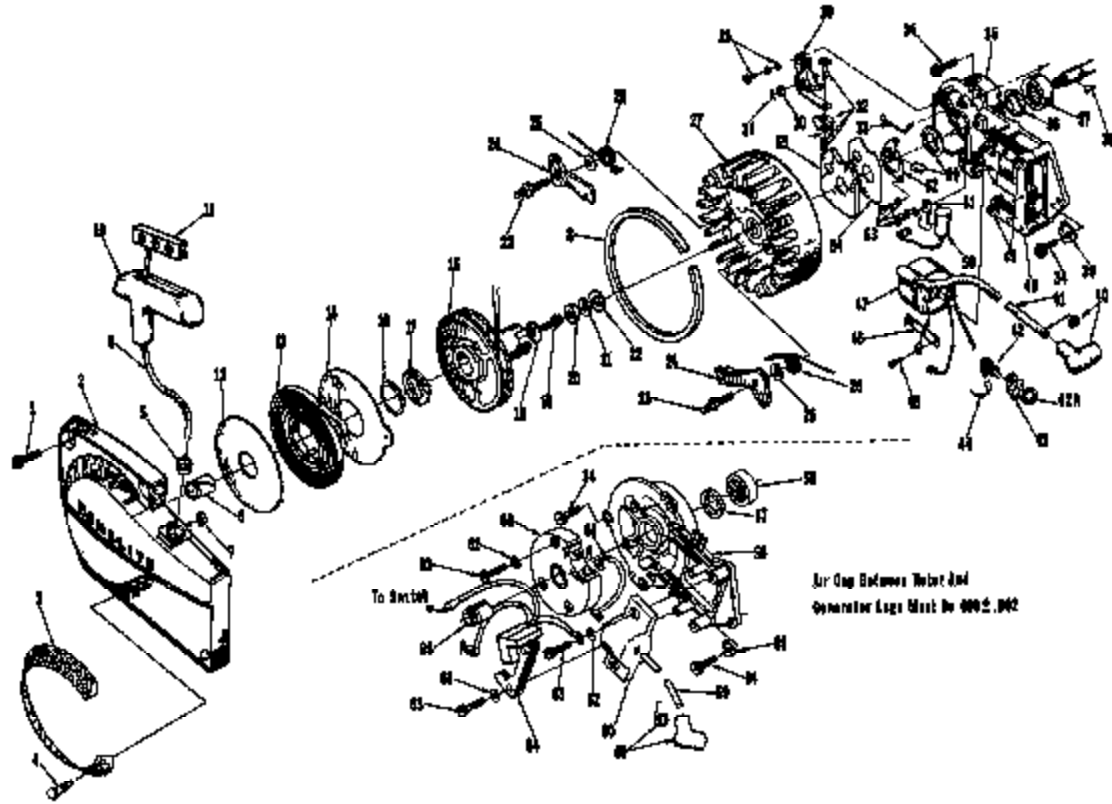


# XL-923 FP



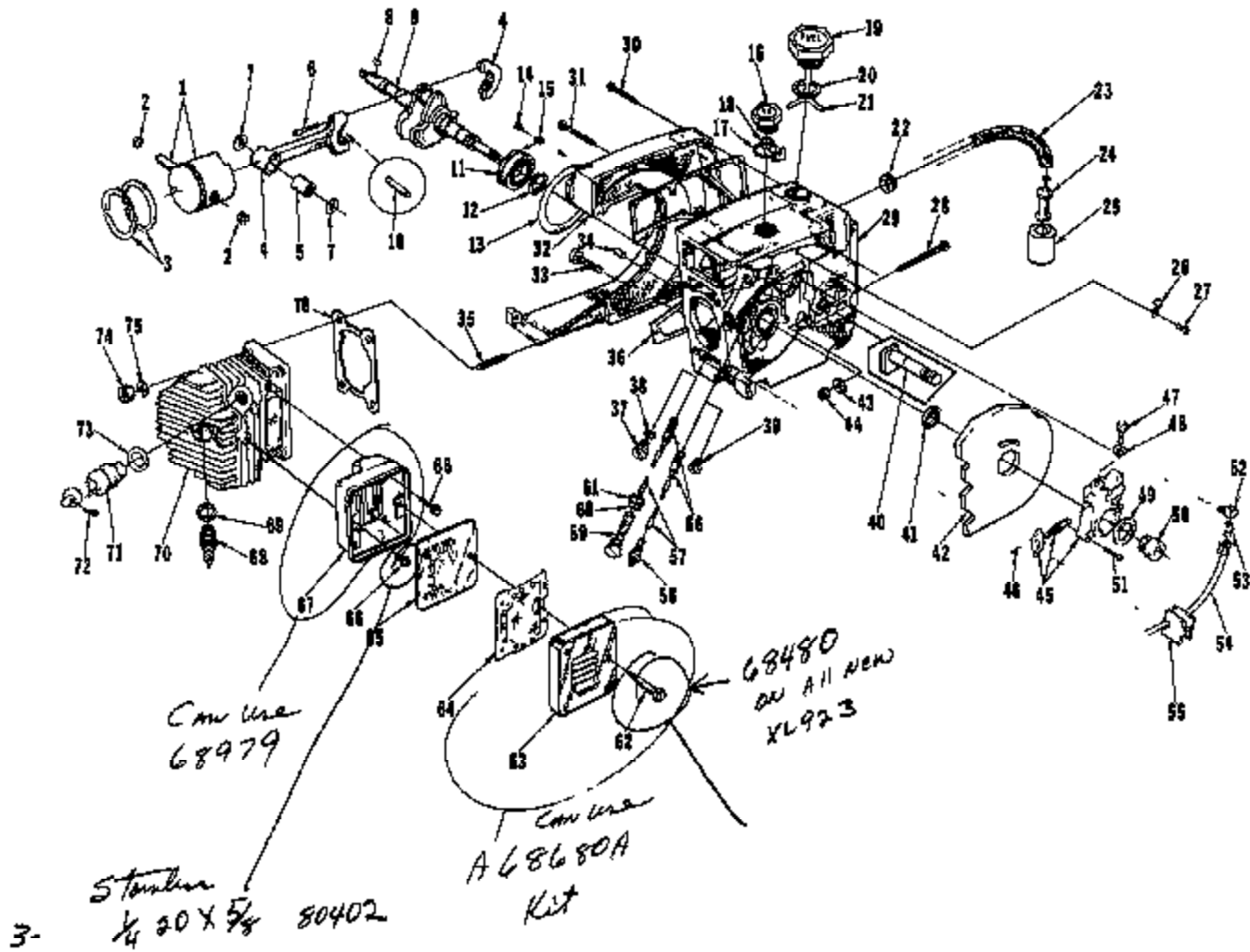
No.	Description	Part No.	Qty.	No.	Description	Part No.	Qty.
1	HANDLE BAR	A-87860-1B	1	23	CARBURETOR CHAMBER	A-88846	1
	Includes:			24	Includes: BUMPER	80238	1
2	CONNECTOR-handle bar	A-89250	1	25	LEVER-oiler w/shaft	A-89327	1
3	MOUNT-vibration isolator	67868	4	26	BUSHING-nylon	88400	2
4	PLATE-handle bar bracket	66698	1	27	GROMMET-"H <sub>1</sub> -L <sub>0</sub> "	56858	1
5	BRACKET-handle bar	67650-2	1	28	SCREW-idle adjustment	63389-A	1
6	PIN-coiler	80317	3	29	SCREW-hex, 8-32 x 1/2	80988	2
7	PIN-slevis	87851-1	3	30	SCREW-hex, 12-24 x 3/8	80876	4
8	SCREW-hex, 12-24 x 3/4	80887	2	31	VALVE-check (outlet)	A-88468-A	1
9	PIN-dowel	67853	1		Includes:		
10	PLATE-handle bar	85599	1		SPRING (not shown)	58022	1
11	BRACKET-isolation mount	87648-2	1		BALL	25627	1
12	SCREW-flat, 1/4-20 x 3/4	80053	2	32	GASKET-cylinder	63778-1	1
13	PIN-throttle latch	65322	1	33	GASKET-throttle handle	68779-B	1
14	SPRING-throttle latch	65714	1	34	LINE-oil (discharge)	A-83299	1
15	TRIGGER-throttle	67648-2	1		Includes: SLEEVE (not shown)	25301	2
16	BASE-isolation mount	A-88087-A	1	35	LINE-oil (intake)	A-83298	1
	Includes:				Includes: SLEEVE (not shown)	25301	2
17	SCREW-pan, 8-32 x 1/2	80860	2	36	VALVE-check (inlet)	A-88432	1
	BUSHING-nylon (not shown)	58064	1		Includes: BALL	25627	1
	BUSHING-throttle latch (not shown)	67752	1	37	BODY-oil pump	63343-2	1
18	SCREW-flat, 12-24 x 1/2	82188	4	38	ROD-throttle	67849	1
19	CRANKCASE & TANK	A-88648	1	39	SPRING-compression	59293	1
	Includes:			40	BOOT-throttle rod	58948	1
20	BOLT-guide bar	87158	2	41	SCREW-sec.set, 8-32 x 1/4	80989	1
	SCREW-flt, 8-32 x 5/8 (shown on Page 5)	82146	6	42	ARM-oiler	63260-2A	1
	SCREW-flt, 8-32 x 2-3/16 (shown on Page 5)	82155	8	43	PLUNGER-oil pump	A-87834-14	1
21	COVER	87153-2	1		Includes:		
	SCREW-flt, 8-32 x 1-3/4 (shown on Page 6)	82147	1	44	"O" RING-shaft	69074	1
	PIN-dowel (shown on Page 5)	68631	2	45	"O" RING-plunger	74368	1
	GASKET-fuel tank (shown on Page 5)	87159	1				
22	STUD	65871	4				
	SEAL-(shown on Page 5)	68888-A	1				
	SHIELD-sawdust (shown on Page 5)	A-64716	1				

# XL-921 XL-923 XL-924 XL-924W XL-923FP



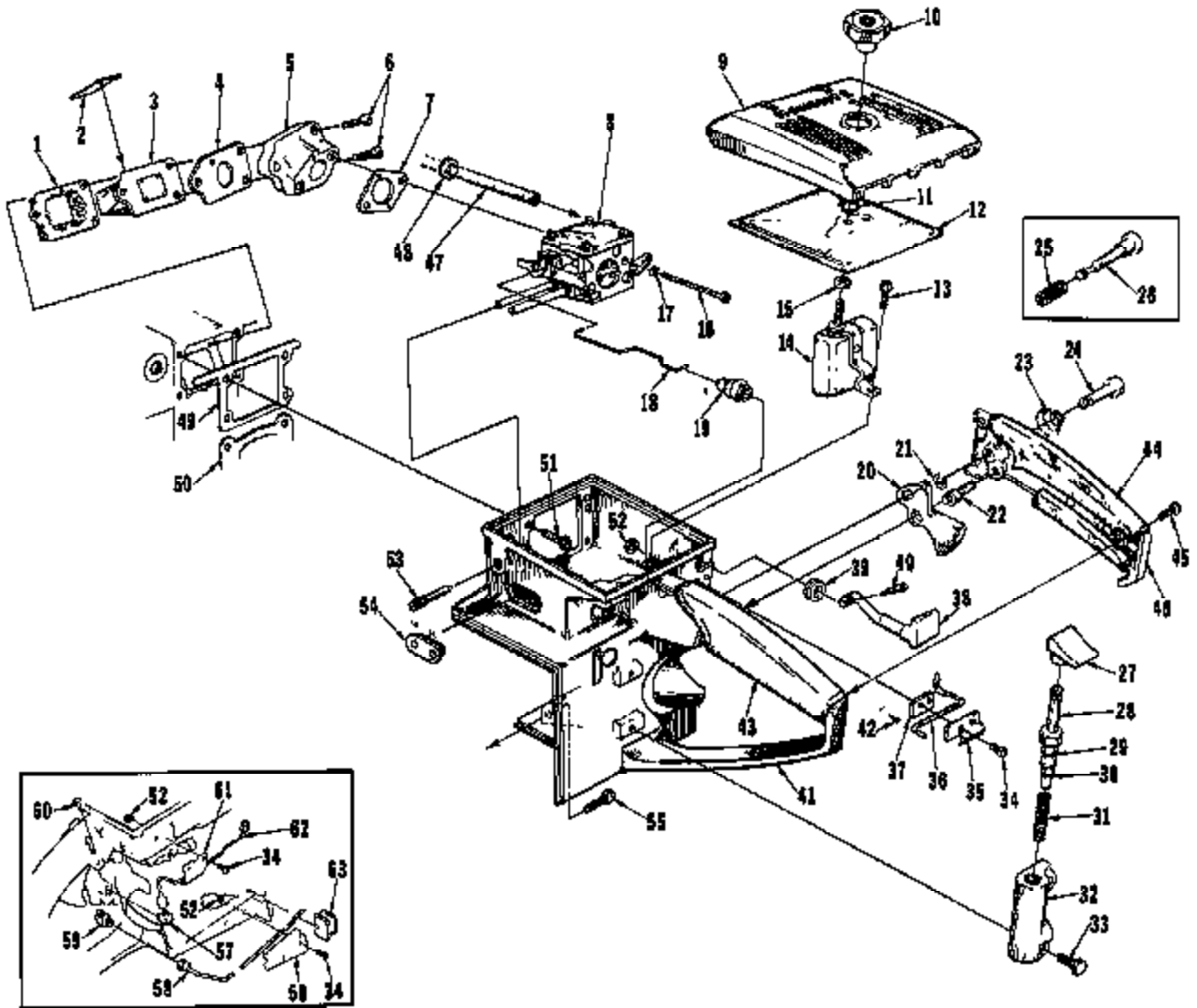
No.	Description	Part No.	921	923	924	924W	923FP	Qty.	No.	Description	Part No.	921	923	924	924W	923FP	Qty.
1	SCREW-hex, 12-24 x 5/8	80676	x	x	x	x	x	4	34	SCREW-hex, 1/4-20 x 5/8	80048	x	x	x	x	x	4
2	HOUSING-fan	A-84604-B	x	x	x	x	x	1	38	PLATE-magneto back	A-89027	x	x				1
3	SCREEN-fan housing	A-84421	x	x	x	x	x	1	Includes:								
4	Includes: STUD	87181	x	x	x	x	x	11	36	SEAL	58888-A	x	x				1
5	BUSHING-starter rope	87177	x	x	x	x	x	1	37	BEARING-roller	63195	x	x				1
6	BUSHING-starter post	84443	x	x	x	x	x	1	38	KEY-woodruff	75075	x	x	x	x	x	1
7	BUSHING-rewind spring	66830	x	x	x	x	x	1	39	WASHER-tab lock	87875-1	x	x	x	x	x	1
8	RING-air flow	87408	x	x	x	x	x	1	40	TERMINAL-spark plug	A-33056	x	x	x	x	x	1
9	ROPE-starter	58808	x	x	x	x	x	1	41	LEAD-high tension	69632	x	x				1
10	GRIP-starter rope	58916	x	x	x	x	x	1	42	SWITCH-tongue	A-57880-3	x	x	x	x	x	1
11	INSERT-rope retaining	58847	x	x	x	x	x	2	42A	Includes: NUT	72084-A1	x	x	x	x	x	1
12	SHIELD-spring (inner)	63588	x	x	x	x	x	1	43	PLATE-indicating "On-Off"	72086-A	x	x	x	x	x	1
13	SPRING-rewind	63288-A	x	x	x	x	x	1	44	LEAD-ground	A-59031	x	x				1
14	SHIELD-spring (outer)	62855-A	x	x	x	x	x	1	45	SCREW-ground	84090	x	x				1
15	PULLEY-rewind starter	A-64448	x	x	x	x	x	1	46	CLIP-coil retaining	68728	x	x				1
Includes:									47	COIL-ignition	83825	x	x				1
16	BUSHING-spring lock	64400	x	x	x	x	x	1	48	COIL-coil	69620	x	x				1
17	LOCK-rewind spring	64049-A	x	x	x	x	x	1	49	SCREW-coil core	84021	x	x				4
18	WASHER-retaining	88763	x	x	x	x	x	1	50	CONDENSER	83628	x	x				1
19	SCREW-hex, 10-32 x 1/2	80648	x	x	x	x	x	1	51	CLAMP-condenser	88427	x	x				1
20	NUT-hex, 9/8-24	81184	x	x	x	x	x	1	52	RETAINER-felt	63628	x	x				1
21	WASHER-lock, 3/8	83102	x	x	x	x	x	1	53	SCREW-contact plate	66411	x	x				8
22	WASHER-flat, 3/8	64010-1	x	x	x	x	x	1	54	GASKET-breaker box cover	63316	x	x				1
23	STUD-shoulder	58757-B	x	x	x	x	x	2	55	COVER-breaker box	63317	x	x				1
24	PAWL-starter	68768	x	x	x	x	x	2	58	PLATE-back	A-87818			x	x		1
25	WASHER	58861	x	x	x	x	x	2	Includes:								
26	SPRING-springer pawl	18788	x	x	x	x	x	2	57	SEAL	58688-A			x	x		1
27	ROTOR-magneto	69408	x	x				1	58	BEARING-roller	63195			x	x		1
	ROTOR-magneto	87365			x	x		1	59	LEAD-high tension	87168			x	x		1
28	SCREW-contact plate	76421	x	x				1	60	COIL-transformer	87164			x	x		1
29	POINTS-breaker	A-88851	x	x				1	61	LEAD-transformer	87167			x	x		1
Includes:									62	WASHER-lock, #8	89022			x	x		7
30	WASHER-point	28028	x	x				1	63	SCREW-paw, 8-32 x 3/4	82178			x	x		1
31	CLIP-post	88098	x	x				1	64	COIL-core and generator	87163			x	x		1
32	BLOCK-terminal	A-68884	x	x				1	65	CAP-dust	64082			x	x		1
33	SPRING-clip cover	78423	x	x				1	66	MODULE-ignition	87362			x	x		1

# XL-921 XL-923 XL-924 XL-924W XL-923FP





# XL-921 XL-923 XL-924 XL-924W XL-923FP



# XL-921 XL-923 XL-924 XL-924W XL-923FP

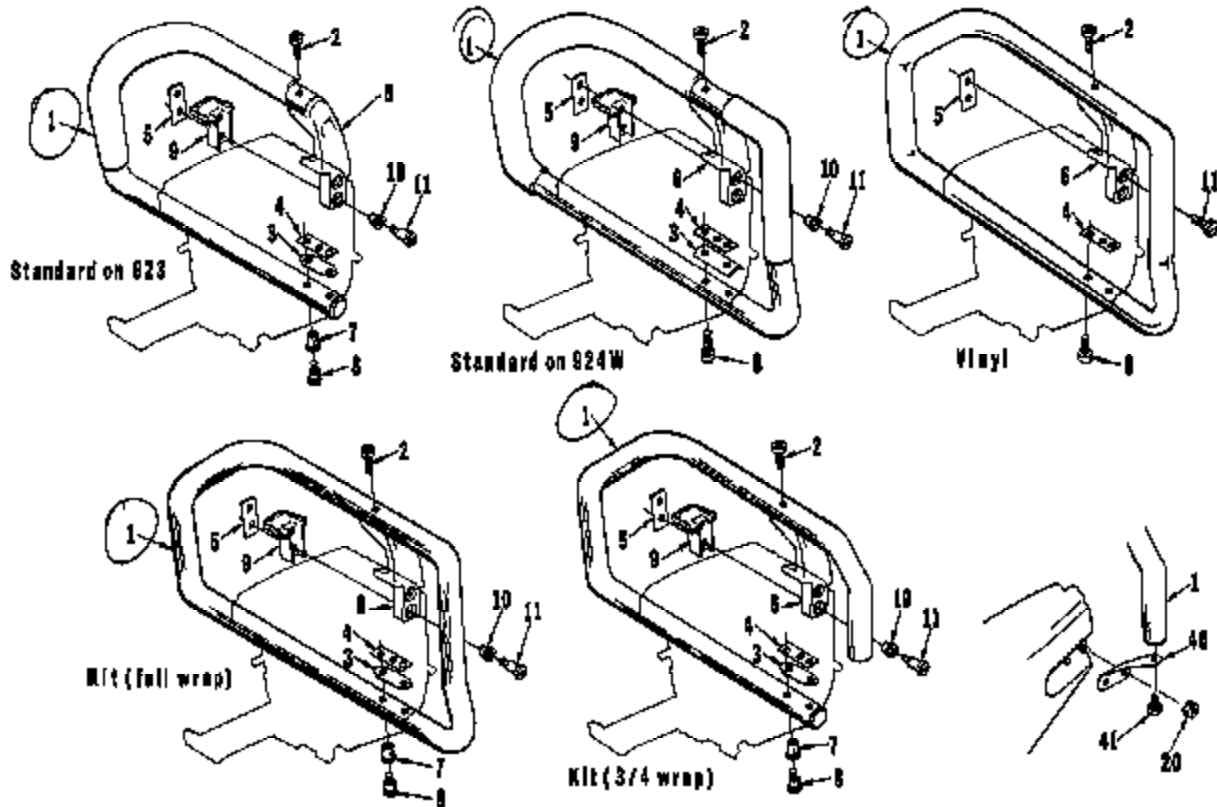
No.	Description	Part No.	921	923	924	924W	923FP	Qty.	No.	Description	Part No.	921	923	924	924W	923FP	Qty.
1	RETAINER-rod valve	63190-A	x	x	x	x		1	35	CLAMP-lever	60861-1	x	x				1
2	VALVE-rod	63166-A	x	x	x	x		4	36	LEVER-poppet valve	60610	x	x				1
3	SEAT-rod	63171-B	x	x	x	x		1	37	PLATE-lever	65028-1	x	x				1
4	GASKET-rod valve seat	65483	x	x	x	x		1	38	ROD-choke	A-68429	x	x	x	x		1
5	MANIFOLD-intake	A-67460-1	x	x	x	x		1	39	Includes GROMMET	64962	x	x	x	x		1
6	SCREW-pan, 8-32 x 1-1/2	82396	x	x	x	x		3	40	PIN-collar	86124	x	x	x	x		1
7	GASKET-carburetor	67540	x	x	x	x		1	41	HANDLE-throttle	A-68025-B	x	x	x	x		1
8	CARBURETOR-HS-101H	A-68261-A						1		Includes							
	CARBURETOR-HS-82D	A-67887-C	x	x	x	x		1	42	PLATE-acordium	65689	x	x				2
9	COVER-air filter element	63634-1	x	x	x	x		1	43	GRIP-throttle handle	64767	x	x	x	x		1
10	NUT-cover mounting	A-67614	x	x	x	x		1	44	GRIP-throttle handle cover	64768	x	x	x	x		1
11	RING-bearing retaining	68319-A	x	x	x	x		1	45	SCREW-pan, 8-32 x 1/2	80060	x	x	x	x		2
12	FILTER ELEMENT-air	61341	x	x	x	x		1	46	COVER-throttle handle (Note 1)	A-68800	x	x	x	x		1
13	SCREW-hex, 12-24 x 1/2	80821	x	x	x	x		1		Includes:							
14	DEFLECTOR-air w/bracket	A-67101	x	x	x	x		1		BUSHING-nylon (not shown)	79064	x	x	x	x		1
	Includes									BUSHING-throttle latch							
15	GASKET-mounting nut	68142-1	x	x	x	x		1		(not shown) (Note 3)	68873	x	x	x	x		1
16	SCREW-hex, 10-32 x 1-7/8	82390	x	x	x	x		2	47	LOVE-nut (Note 1)	68442	x	x	x	x		1
17	WASHER-lock, #10	83098	x	x	x	x		2	48	GROMMET	68016	x	x	x	x		1
18	ROD-throttle	63266-A	x	x	x	x		1	49	GASKET-throttle handle	63778-B	x	x	x	x		1
	ROD-throttle	67649						1	50	GASKET-cylinder	63778-1	x	x	x	x		1
19	BOOT-throttle rod	58348	x	x	x	x		1	51	SCREW-hex, 12-24 x 5/8	80676	x	x	x	x		4
20	TRIGGER-throttle	65745	x	x	x	x		1	52	NUT-lock, 6-32	81126	x					1
21	RING-retaining (Note 2)	58409	x					1		NUT-lock, 6-32	81126	x	x				2
22	PIN-throttle latch adjusting	65719	x	x	x	x		1		NUT-lock, 6-32	81126						3
23	SPRING-throttle latch (Note 2)	64714	x	x	x	x		1	53	SCREW-idle adjustment	63368-A	x	x	x	x		1
24	PIN-throttle latch (Note 2)	65822	x	x	x	x		1	54	GROMMET-"111-Lo"	58858	x	x	x	x		1
25	SPRING-throttle latch (Note 2)	58409	x					1	55	SCREW-hex, 12-24 x 7/8	80981	x	x	x	x		1
26	PIN-throttle latch (Note 2)	58824-4	x					1	56	CLAMP-oil line	65613-1	x	x	x	x		1
27	BUTTON-oil pump plunger	63622	x	x	x	x		1	57	VALVE-check	A-68502	x	x	x	x		1
28	PLUNGER-oil pump	A-67834-16	x	x	x	x		1		Includes BALL	25627	x	x	x	x		1
	PLUNGER-oil pump	A-67834-14						1	58	LINE-oil	A-63282	x	x	x	x		1
	Includes									LINE-oil	A-63289						1
29	"O" RING-shaft	58094	x	x	x	x		1		Includes SLIPPER	25301						2
30	"O" RING-plunger	74388	x	x	x	x		1	59	VALVE-check	A-66616	x	x	x	x		1
31	SPRING-compression	59283	x	x	x	x		1		Includes SPRING	58022	x	x	x	x		1
32	BODY-oil pump	63343-B	x	x	x	x		1		BALL	25627	x	x	x	x		1
	BODY-oil pump	63343-2						1	60	SCREW-hl, 8-32 x 5/8	80023-2	x	x	x	x		1
33	SCREW-hex, 8-32 x 7/8	80508	x	x	x	x		2	61	CLAMP-oil line	85680-1	x	x	x	x		1
	SCREW-hex, 8-32 x 1/2	80993						2	62	LINE-oil	A-65705	x	x	x	x		1
34	SCREW-pan, 6-32 x 3/8	80571	x					4	63	GROMMET-oil line	63427	x	x	x	x		1
	SCREW-pan, 8-32 x 3/8	80571	x	x				8									
	SCREW-pan, 8-32 x 3/8	80571						2									

Note 1 - For units without Rubber Grips use A-6882-A Cover.

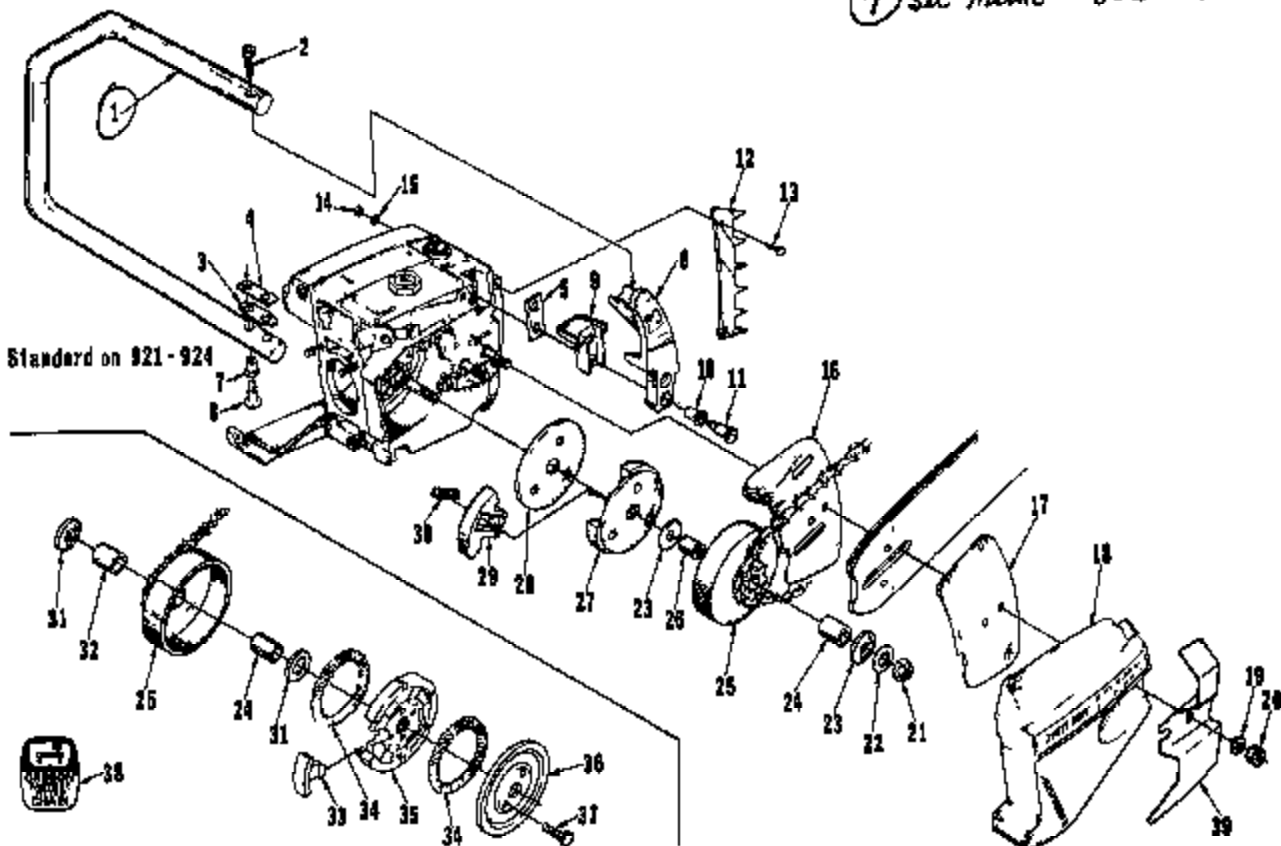
Note 2 - For XL-924W units below S/N 11461450.

Note 3 - For XL-924W units above S/N 11461450.

# XL-921 XL-923 XL-924 XL-924W XL-923FP



① See Memo 806 CS





# XL-921 XL-923 XL-924 XL-924W XL-923FP

No.	Description	Part No.	921	923	924	924W	923FP	Qty.	No.	Description	Part No.	921	923	924	924W	923FP	Qty.
<b>Standard on XL-921 and XL-924 (Note 4)</b>									<b>Standard on XL-923</b>								
1	HANDLE BAR-flush (vinyl coated)	A-65890-1	x	†	x			1	1	HANDLE BAR-flush (rubber covered) (Note 2)	A-68782-2	†	x	†			1
2	SCREW-sec., 1/4-20 x 1	80428	x	x	x			1	2	SCREW-sec., 1/4-20 x 1	80428	x	x	x			1
3	SPACER-handle bar	66542	x	†	x			1	3	SPACER-handle bar	66766	†	x	†			1
4	PLATE-handle bar	66699	x	x	x			1	4	PLATE-handle bar	66699	x	x	x			1
5	PLATE-handle bar bracket	66599	x	x	x			1	5	PLATE-handle bar bracket	66698	x	x	x			1
6	BRACKET-handle bar	66607-3	x	†	x			1	6	BRACKET-handle bar	66766-2	†	x	†			1
7	GROMMET-handle bar	66618	x	x	x			2	7	GROMMET-handle bar	66618	x	x	x			2
8	SCREW-shoulder	66520	x	x	x			2	8	SCREW-shoulder	66520	x	x	x			2
9	MOUNT-shock	66509	x	x	x			1	9	MOUNT-shock	66509	x	x	x			1
10	GROMMET	66618	x	x	x			2	10	GROMMET	66618	x	x	x			2
11	SCREW-shoulder	66521	x	x	x			2	11	SCREW-shoulder	66521	x	x	x			2
<b>Standard on XL-924W</b>									<b>Standard on XL-924W</b>								
12	KIT-spiked bumper	A-68789				x		1	*1	HANDLE BAR-full wrap (rubber covered) (Note 5)	A-68893-1	†	†	†	x		1
13	KIT-spiked bumper includes	A-68720	x	x	x	x		1	2	SCREW-sec., 1/4-20 x 1	80428	x	x	x			1
14	SCREW-hex, 12-24 x 3/4	80887	x	x	x	x		2	3	SPACER-handle bar	66698-1	†	†	†	x		1
15	NUT-12-24	81099	x	x	x	x		2	4	PLATE-handle bar	66699	x	x	x			1
16	WASHER-lock, #12	83088	x	x	x	x		2	5	PLATE-handle bar bracket	66698	x	x	x			1
17	PLATE-guide bar (inner)	67160	x	x	x	x		1	6	BRACKET-handle bar	66766-4	†	†	†	x		1
18	PLATE-guide bar (outer)	67161	x	x	x	x		1	7	SCREW-sec., 1/4-20 x 1-1/8	80884	†	†	†	x		2
19	COVER-drivecase	67166-3	x	x	x	x		1	8	MOUNT-shock	66509	x	x	x			1
20	WASHER-Flat, 5/16	84092				x		2	10	GROMMET	66618	x	x	x			2
21	NUT-hex, 3/8-16	81099-2	x	x	x	x		2	11	SCREW-shoulder	66521	x	x	x			2
22	NUT-hex, 5/16-18	81196				x		2	39	GUARD-chain	68078-1	†	†	†	x		1
23	NUT-flexlock, 3/8-24	81192	x					1	<b>Standard on XL-924W</b>								
24	WASHER-Flat, 3/8	84010-1	x					1	1	HANDLE BAR-wrap around (vinyl coated) (Note 5)	A-67886-3	†	†	†	x		1
25	WASHER-thrust (Note 1)	83699	x					2	2	SCREW-sec., 1/4-20 x 1	80428	x	x	x			1
26	BEARING-roller	84124	x	x	x	x		1	4	PLATE-handle bar	66699	x	x	x			1
27	DRUM & HUB- rim type	A-85999	x					1	5	PLATE-handle bar bracket	66698	x	x	x			1
28	DRUM & HUB- rim type	A-85990	x	x	x			1	6	BRACKET-handle bar	66011-8	†	†	†	x		1
29	SPROCKET-3/8 pitch, 7 tooth (rim type)	OM-88210	x	x	x	x		1	8	SCREW-sec., 1/4-20 x 1	80428	†	†	†	x		2
30	SPROCKET & DRUM .404 pitch, 7 tooth (rim type)	OM-10813	†	†	†	†		1	11	SCREW-hex, 12-24 x 3/4	80887	†	†	†	x		2
31	SPROCKET & DRUM 3/8 pitch, 8 tooth	A-65886	†	†	†	†		1	39	GUARD-chain	68078-1	†	†	†	x		1
32	SPROCKET & DRUM .404 pitch, 7 tooth	A-65898	†	†	†	†		1	<b>Standard on XL-924W</b>								
33	SPROCKET & DRUM .404 pitch, 8 tooth	A-65887	†	†	†	†		1	1	KIT-handle bar (full wrap around) (includes index # 1, 8 & 39)	A-65894	†	†	†	†		1
34	SPROCKET & DRUM 3/8 pitch, 7 tooth	A-65884	†	†	†	†		1	1	HANDLE BAR	A-65814-2	†	†	†	†		1
35	SPROCKET & DRUM .404 pitch, 7 tooth	A-65727	†	†	†	†		1	2	SCREW-sec., 1/4-20 x 1	80428	x	x	x			1
36	SPROCKET & DRUM .404 pitch, 8 tooth	A-65728	†	†	†	†		1	3	SPACER-handle bar	66542	x	†	x			1
37	SPROCKET & DRUM 3/8 pitch, 7 tooth	A-65731	†	†	†	†		1	4	PLATE-handle bar	66699	x	x	x			1
38	SPROCKET & DRUM 3/8 pitch, 8 tooth	A-65732	x					1	5	PLATE-handle bar bracket	66698	x	x	x			1
39	RACE-inner	80746	x					1	6	BRACKET-handle bar	66766-5	†	†	†	x		1
40	PLATE-clutch	83063-1	x					1	7	GROMMET-handle bar	66618	x	x	x			2
41	COVER-clutch	82051	x					1	8	SCREW-shoulder	66520	x	x	x			2
42	SHOE-clutch	84669	x					3	9	MOUNT-shock	66509	x	x	x			1
43	SPRING-clutch	85842	x					3	10	GROMMET	66618	x	x	x			2
44	WASHER-thrust (Note 2)	83468	x	x	x			2	11	SCREW-shoulder	66521	x	x	x			2
45	WASHER-thrust	83462				x		1	39	GUARD-chain	68078-1	†	†	†	x		1
46	WASHER-thrust	83489				x		1	<b>Standard on XL-924W</b>								
47	RACE-inner	84128	x	x	x	x		1	1	KIT-handle bar (3/4 wrap around) (includes index # 1, 8, 40 & 41)	A-65902	†	†	†	†		1
48	SPRING-clutch	87898-1	x	x	x	x		6	1	HANDLE BAR	A-88900	†	†	†	†		1
49	SPRING-clutch	87441	x	x	x	x		2	2	SCREW-1/4-20 x 1	80428	x	x	x			1
50	SPIDER-clutch	85723-2	x	x	x	x		1	3	SPACER-handle bar	66542	x	†	x			1
51	COVER-clutch	88701-1	x	x	x	x		1	4	PLATE-handle bar	66699	x	x	x			1
52	SCREW-hex, 10-32 x 1/2	80381-1	x	x	x	x		3	5	PLATE-handle bar bracket	66698	x	x	x			1
53	LABEL-chain (Oregon)	68118	x	x	x	x		1	6	BRACKET-handle bar	66766-5	†	†	†	x		1
54	GUARD-chain	68078-1	†	†	†	†		1	7	GROMMET-handle bar	66618	x	x	x			2
55	BRACE-handle bar	63660	†	†	†	†		1	8	SCREW-shoulder	66520	x	x	x			2
56	SCREW-hex, 12-24 x 3/4	80887	†	†	†	†		1	9	MOUNT-shock	66509	x	x	x			1
									10	GROMMET	66618	x	x	x			2
									11	SCREW-shoulder	66521	x	x	x			2
									40	BRACE-handle bar	63660	†	†	†	†		1
									41	SCREW-hex, 12-24 x 3/4	80887	†	†	†	†		1

Handle Bars must be used in groups as indicated above.

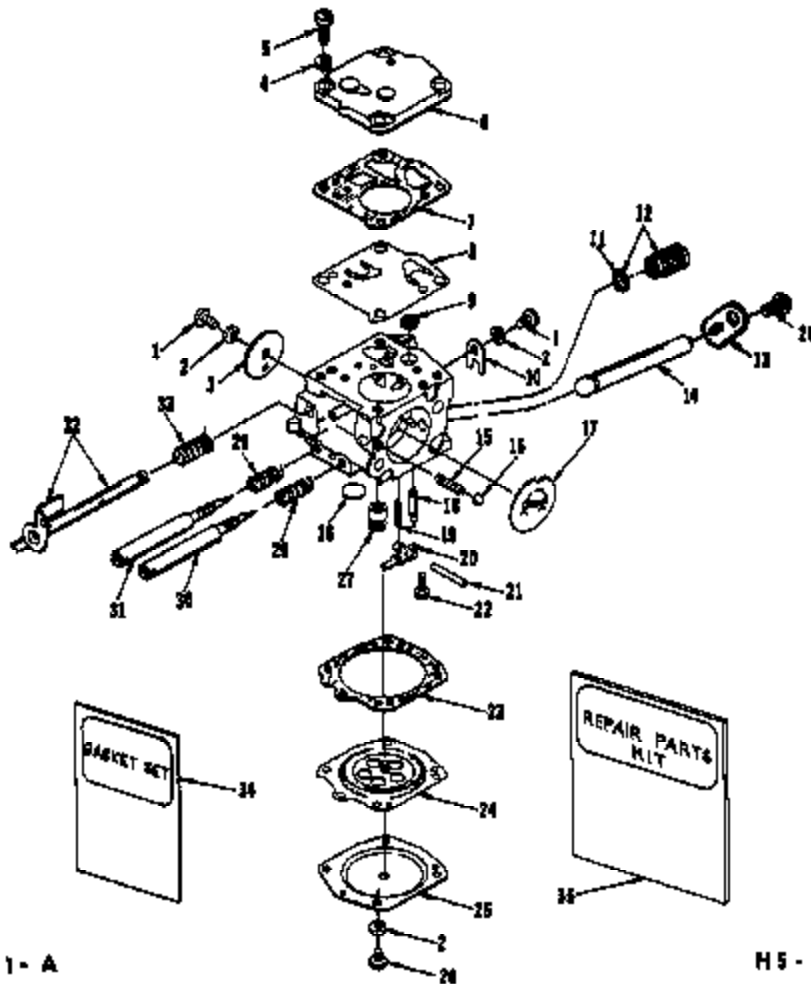
Note 1 - When using optional Sprocket & Drums, you must use one # 68828 Thrust Washer (outer).  
 Note 2 - When using optional Sprocket & Drums, you must use one # 83469 Thrust Washer (inner).

Note 3 - Units above 5/N 3436418  
 Note 4 - XL-923 units below 5/N 3436419  
 Note 5 - XL-924W units above 8/N 11461450  
 Note 6 - XL-924W units below 8/N 11461450

† Optional \* Denotes new parts

ALWAYS FURNISH MODEL AND SERIAL NUMBER WHEN ORDERING PARTS

# XL-921 XL-923 XL-924 XL-924W XL-923FP



924W only

H5-103B A 68261-A

H5-92D A 67887-C

No.	Description	Part No.	Qty.	No.	Description	Part No.	Qty.
1	SCREW-rd., 4-40 x 3/16	† 80284	2	18	NEEDLE-inlet	† 58717	1
2	WASHER-lock, #4	† 88008-1	8	19	SPRING-control lever	† 55759	1
3	SHUTTER-throttle	87984	1	20	LEVER-inlet control	† 59716	1
4	WASHER-lock, #6	83024	4	21	PIN-control lever fulcrum	† 58877	1
5	SCREW-flt., 6-32 x 3/8	80275	4	22	SCREW-oval, 4-40 x 1/4	† 65788	1
6	COVER-fuel pump diaphragm	58875	1	23	GASKET-main diaphragm	58878	1
7	GASKET- pump diaphragm	58881	1	24	DIAPHRAGM-main control	† 58888	1
8	DIAPHRAGM-fuel pump	† 58880-R	1	25	COVER-main diaphragm	58879	1
9	SCREEN-fuel inlet	† 58874	1	26	SCREW-rd., 4-40 x 1/4	80591	5
10	CLIP-throttle shaft retaining	58882	1	27	VALVE-check (See Note)	88284	1
11	GASKET	74060	1	28	PLUG-extension (large)	† 58891	1
	GASKET- (924W only)	55944	1	29	SPRING-adjustment needle	† 79075	2
12	VALVE-governor	A-85601	1	30	SCREW-main adjustment	† 83876	1
	PLUG-screw (924W only)	88287	1	31	SCREW-idle adjustment	† 83877	1
13	LEVER-choke	68397	1	32	SHAFT-throttle w/lever	A-67935	1
14	SHAFT-choke	65799	1	33	SPRING-throttle opening	† 59460	1
15	SPRING-choke friction	73284	1	34	GASKET-set	67886	1
16	BALL-choke friction	25627	2	35	REPAIR KIT	67870	1
17	SHUTTER-choke	58884	1				

Note - 68284 Check Valve can be used in place of 54444 Check Valve for carburetors that are hard starting.

† Included in Repair Kit

**XL-921 XL-923 XL-924 XL-924W XL-923FP**

<u>Tools</u>	921	923	924	924W	923FP
23846-2 ANVIL-bearing remover (backplate)	x	x	x	x	x
23846-1 ANVIL-crankshaft installation	x	x	x	x	x
24304 BIT-pozidriv #2	x	x	x	x	x
23136-2 BODY-assembling fixture	x				
22820-3 COLLAR-bearing assembling	x				
22820-4 COLLAR-bearing installation		x	x	x	x
24230 DRIVER-hand pozidriv	x	x	x	x	x
A-23137 JACKSCREW (crankshaft)	x				
A-23966 JACKSCREW (crankshaft)		x	x	x	x
A-23962 JACKSCREW-bearing remover (backplate)	x	x	x	x	x
24006-1 PLATE-shaft aligning	x	x	x	x	x
23956 PLUG-bearing and seal installation (backplate)	x	x	x	x	x
23420 PLUG-bearing installation		x	x	x	x
23956 PLUG-bearing installation (conn.rod)	x	x	x	x	x
24302 PLUG-seal installation (backplate)			x	x	
23957 PLUG-seal installation (crankcase)	x	x	x	x	x
A-23960 PULLER-rotor	x	x	x	x	x
24306 SHIM- (black) air gap			x	x	
23987 SHIM-magneto air gap	x	x			x
23136-1 SLEEVE-bearing and shaft installation		x	x	x	x
23972 SLEEVE-seal installation (crankcase)	x	x	x	x	x
23759 SLEEVE-seal protecting (crankcase)	x				
23971 SLEEVE-seal protecting (crankcase)		x	x	x	x
24084 SPARK PLUG-removal				x	
A-22808 WRENCH-combination				x	
A-23937-B WRENCH-combination	x	x	x		x
23528 WRENCH-socket screw (conn.rod)	x	x	x	x	x
A-23934 WRENCH-spanner (clutch)	x				
A-23996-A WRENCH-spanner		x	x	x	x

Accessories

A-24279	KIT-fastening parts
A-24270	KIT-filter
A-24413	KIT-guide bar plate
A-24274	KIT-ignition (XL-921, XL-923)
23488-B	KIT-Loctite
A-24268	KIT-starting rope
A-68079	KIT-West Coast Conversion (XL-923, XL-924)
57084-1	REEL-250 ft., Starting Rope

Paint

22772	SPRAY CAN-black
24453	SPRAY CAN-blue "70"
23475	SPRAY CAN-red

Part No.	Description	Qty.	Part No.	Description	Qty.	Part No.	Description	Qty.	Part No.	Description	Qty.
0411003	Bracket	1	8825-1	Filter-felt	1	A-88515	Valve-check	1	A-88027	Plate-magneto block	1
88272	Spray Can-Black	1	88885	Spring	1	88618	Commot	2	A-88033	Pinion & Pin	1
A-88404	Wrench-comb.	1	89281	Bearing-needle	1	88618	Commot	2	88046	Commot	1
88380-3	Collar-bearing	1	A-88456-A	Valve-check	1	88220	Screw-shoulder	2	A-88057-A	1/8"-1984100 mmx1	1
88380-4	Collar-bearing	1	88480	Spring-throttle	1	88301	Screw-shoulder	2	88078-1	Oil-fil-12 100	2
88380-1	Shaft-bearing	1	88496	Worm-gear	1	88348	Spacer-handle bar	1	A-88079-1	Kit-W Chain Conversion	1
88380-2	Shaft	1	88704	Screw	2	88587-1	Clamp-hal line	1	88114	Lubric-chain	1
A-88737	Jack-knife	1	88705	Washer-lock	2	88488	Plate	1	DM 88210	Sprocket	1
88420	Plug-bearing	1	88716	Lever-inlet	1	88388	Plate-handle bar	1	88245	Pinion Ring	1
88496	Spray Can-red	1	88717	Needle-inlet	1	88007-8	Bracket	1	A-88250	Connector-handle bar	1
88488-3	Kit-Loctite	1	88728	Washer-screw	1	88007-4	Bracket	1	A-88281-1	Cartridge-16 100	1
88538	Wrench	1	88928	Seal-felt	1	88880-1	Plate-lever	1	A-88281	Pump-motor 10cc oil	1
A-88594-A	Wrench-spacer	1	88937	Compressor	1	88590	Lever	1	88584	Valve-check	1
88758	Sleeve-oxaluminum	1	89011-B	Bracket	1	88831	Buffer-muffler	1	A-88284	Cylinder-2 1/2 bore	1
88848-1	Anti-vibration	1	89061	Cover-Clutch	1	88840-1	Clamp-oil line	1	88887	Plug-screw	1
88848-3	Anti-vibration	1	89063-1	Plate-clutch	1	A-88882	Lens-oil	1	88497	Lever-choke	1
A-88934	Wrench-spacer	1	88118	Cap	2	88488	Compressor	1	A-88488	Rod-choke	1
A-88937-B	Wrench-comb.	1	88165-A	Valve-feed	4	88488	Fitting-tube	1	88488	Lens-Jual	1
88856	Plug-bearing	1	88185	Bearing-roller	1	A-88708	Line-oil	1	88750	Reflector	1
88858	Plug-bearing & seal	1	88289-A	Rod-throttle	1	88714	Spring	1	88751	Reflector	1
88887	Plug-seal	1	88386-A	Spring-reward	1	88719	Pin-throttle latch	1	A-88782-2	Handle Bar-Flush	1
A-88930	Puller-rod	1	88380-BA	Arm-oiler	1	88728-2	Spider-clutch	1	88784	Spacer-handle bar	1
A-88943	Jack-knife	1	A-88388	Line-oil	1	A-88727	Sprocket & Drum	1	88788-B	Bracket-handle bar	1
A-88944	Jack-knife	1	A-88488	Lens-oil	1	A-88728	Sprocket & Drum	1	88788-1	Bracket-handle bar	1
88971	Sleeve-oxaluminum	1	88316	Clanket	1	A-88731	Sprocket & Drum	1	88788	Gear-throttle handle	1
88972	Sleeve-oxaluminum	1	88317	Clanket	1	A-88732	Sprocket & Drum	1	88788	Clutch	1
88987	Shaft-magneto	1	A-88327	Lens	1	88745	Trigger-throttle	1	A-88788	Kit-spoked bumper	1
88990-1	Plate-whit aligning	1	88341	Filter Element	1	88748	Loop-washer	1	A-88806	Cover-throttle handle	1
88994	Spark Plug-renewal	1	88343-2	Body-oil pump	1	88748	Scrub-oil	1	A-88848	Crankcase & Tank	1
88998	Driver-processor	1	88343-1	Body-oil pump	1	88759	Shaft-choke	1	A-88848	Cylinder Chamber	1
A-88999	Kit-starter rope	1	88387	Screw	1	A-88801	Valve-governor	1	A-88848	Cylinder-2-1/16 bore	1
A-88999	Kit-starter rope	1	88387-A	Screw-idle adj	1	A-88801-2	Handle Bar	1	88894	Block-muffler	1
A-88999	Kit-starter rope	1	88390-A	Reflector	1	88841-1	Clamp-lever	1	A-88894	Spacer-handle bar	1
A-88999	Kit-starter rope	1	88391-B	Block-valve	1	88841	Pin-throttle latch	1	A-88894	Handle Bar-Full wrap	1
88428	Plug-seal	1	88400	Bushing-nylon	2	88840	Clutch	1	A-88811-1	Clutch-muffler	1
88454	Diaphragm	1	88405	Bracket-magneto	1	88842	Spring-choke	2	A-88811-2	Cylinder	1
88458	Shim-air gap	1	A-88438	Valve-check	1	A-88840-1	Handle Bar	1	88844-A1	Nut	1
A-88413	Kit-guide bar plate	1	88458-A	Tuba	1	88878	Bushing	1	88844-A	Plate	1
88453	Spray Can-blue	1	88482	Washer-throat	2	A-88884	Sprocket & Drum	1	88075	Spring-adj needle	2
88458	Clanket	1	88483	Washer-throat	1	A-88885	Sprocket & Drum	1	88076	Spring-choke friction	1
88461	Blower	2	88489-J	Cap-muffler	1	A-88886	Sprocket & Drum	1	88076	Clutch	1
88462	Ball-choke friction	2	88521-A	Buffer-muffler	1	A-88887	Sprocket & Drum	1	88076	"O" Ring-plunger	1
88468	Clutch-post	1	A-88535-2	Body-muffler	1	88888	Plug-connection	1	88076	Key-woodruff	1
88468	Washer-pinion	1	A-88540-2	Spark Arcuator	1	A-88884	Kit-handle bar	1	88433	Spring-clip cover	1
88467	Plug-nylon	1	88547-B	Spark Plug	1	A-88880	Handle Bar	1	88433	Screw-connection plate	1
88467	Connector-choke	1	88548-A	Shield-choke	1	A-88882	Kit-handle bar	1	88433	PARTS LIST PARTS	1
A-88468	Terminal	1	88560	Shield-choke	1	A-88888	Drum & Hub	1	88433-2	8-32 x 3/8	1
88468	Pinion Ring	2	88560	Lens-oil	1	A-88889	Drum & Hub	1	88048	1/4-20 x 5/8	1
88464	Clanket	1	88561	Pin-down	2	A-88901	Reflector	1	88048	1/4-20 x 3/4	2
88461	Screw-connection plate	2	88423	Bracket	1	88915-2	Cover	1	88048	8-32 x 3/4	1
88461	Spring-control lever	1	88423	Coil-ignition	1	88915-1	Cover-dryvacase	1	88048	4-40 x 3/16	3
88461	Roller	4	88426	Condenser	1	88916	Bolt-guide bar	3	88076	8-32 x 3/8	1
88468	Bumper	1	88427	Clutch	1	88916	Clutch-hal bank	1	88076-1	10-32 x 1/2	1
88468-1	Head-starting rope	1	88428	Reflector-felt	1	88916	Plate-roller	1	88048	1/2-20 x 1	1
A-88468-2	Head-starting rope	1	88430	Cover-rod	1	88916	Plate-roller	1	A-88048	8-32 x 1/8	2
A-88468-14	Plunger-oil pump	1	A-88481	Piston-broader	1	88916	Medium-gasket	1	88048	8-32 x 1/8	2
A-88468-10	Plunger-oil pump	1	88638	Lead	1	88916	Coil-core	1	A-88071	8-32 x 1/8	1
88115	Washer	1	88684-1	Clutch	1	88916	Coil-transformer	1	88048	4-40 x 1/4	1
88130-B	Bearing-ball	1	88680	Screw	1	88916	Reflex-magneto	1	88048	8-32 x 5/16	1
88130-A	Ring-retaining	1	88696	Screw	1	88916	Lead-hi tension	1	88048	10-32 x 1/2	1
88133	Body-throttle rod	1	88697	Screw-idle adj	1	88916	Lead-transformer	1	A-88076	12-24 x 5/8	1
88132-1	Gasket	1	88718	Valve-check	1	88916	Crankshaft	1	A-88076	8-32 x 3/16	2
88132	Spring	1	A-88729	Kit-bumper	1	88916-1	Crankshaft	1	88048	12-24 x 1/2	1
88136	"O" Ring	1	88738	Clutch	1	88917	Bushing	1	88048	12-24 x 3/4	1
88136	Ring-rotating	1	88741	Gasket	1	88918	Steel	1	88048	12-24 x 9/8	1
88138-A	Seal	1	88748-1	Gasket-ign	1	88918	Washer-copper	1	88048	4-40 x 1/4	1
88138-B	Cover-clutch	1	88748-2	Gasket	1	88918	Spring-air flow	1	A-88048	1/4-20 x 1-1/8	1
88138	Pin-retainer	2	88968-A	Screw-shoulder	1	88918	Spring-clutch	2	88076	12-24 x 1/8	1
88138-1	Head-shoulder	2	88968	Cap-choke	1	A-88940-1	Manifold-choke	1	88076	8-32 x 1/8	1
88138-2	Spring-starting rope	1	88969	Screw-pull core	1	88940	Gasket-carb.	1	88076	8-32 x 1/4	1
88138-3	Washer-retaining	1	88969-A	Lock	1	88940	"O" Ring	1	A-88076-1	Nut-1/4-20	1
88138-4	Top-starting	1	88970	Screw-ground	1	A-88940-1A	Pin	1	88076	Nut-12-24	1
88138-5	Washer-lens	2	88108-A	Screw-core	1	A-88918	Plate-bank	1	88076	Nut-5/8-14	1
88147	Spacer	1	88108	Seal-choke-roller	1	A-88940-2	Handle Bar	1	88108	Nut-1/4-20	1
88147	Washer	2	88108	Seal-choke	1	A-88940-3	Nut	1	A-88108-2	Nut-hex, 10-32	1
88148	Commot-hal line	1	A-88288	Filter-coil	1	88940-4	Bracket	1	88108	Nut-hex, 8-32	1
88148	Comp-starting rope	1	88400	Bushing	1	88940-5	Trigger-Choke	1	A-88108	Nut-lock, 8-32	1
88148-1	Pin-throttle latch	1	A-88448	Screw	1	88940	Red-Drum	1	88108	Nut-4/8-34	1
88147	Clanket	1	88448	Bushing	1	88940-2	Bracket	1	A-88108	Nut-hex, 5/16-28	1
A-88148	Block-terminal	1	A-88448	Pulley	1	88940-1	Pin-choke	2	88148	8-32 x 3/8	1
88148	Seal	1	A-88456-B	Hex-nut-fan	1	A-88000-12	Handle Bar	1	88147	8-32 x 1-1/8	1
88148	Cover	1	88458	Seal-clutch	1	88940	Pin-down	1	88148	8-32 x 2-3/16	1
88147	Pin-falorum	1	A-88458	Bearing-needle	1	88940	Bushing	1	88148	8-32 x 3/4	1
88148	Gasket-main dis.	1	A-88478	Shield-muffler	1	88940	Gasket-ign	1	88148	10-32 x 1-7/8	1
88148	Cover-main dis.	1	88448	Ring	2	88940	Mount	4	88148	12-24 x 1/2	1
88148-R	Diaphragm	1	88448	Commot	1	88940	Kit-repair	1	88148	8-32 x 1-1/8	1
88148	Gasket	1	88448-1	Clutch-choke	1	88940-1	Washer-fab lock	1	88076-1	Washer-lock, 8-32	1
88148	Clutch	1	88133	"O" Ring	1	A-88940-1	Carburetor-18921	1	88076	Washer-lock, 3/4	1
A-88148	Diaphragm-choke	1	88148	Cap	1	88940-1	Seal-clutch	1	88048	Washer-lock, 8-32	1
88148	Diaphragm	1	88148	Gasket	1	A-88940-1	Pinion & Pin	1	88048	Washer-lock, 8-32	1
88148	Plug-connection	1	A-88940-A	Cap-choke	1	88940	Start-up-throttle	1	A-88048	Washer-lock, #10	1
88148	Lens-oil post-up	2	A-88940-A	Cap-oil	1	A-88940	Shaft-throttle	1	88076	Washer-lock, #12	1
88148	Spring	1	88357	Commot	1	A-88940	Rod-curve	1	88108	Washer-lock, 3/8	1
A-88148	Lead-shoulder	1	88488	Gasket	1	88010	Washer-throat	2	88010-1	Washer-8/16	1
88084	Bushing-nylon	1	A-88808	Valve-check	1	A-88808	Crankcase & Tank	1	84038	Washer-8/16	1
88076	"O" Ring-shaft	1	88509	Main-choke	1	A-88920-B	Handle-throttle	1	A-88317	Pin-choke	1
A-88081	Filter-fuel	1	88512-1	Clamp-oil line	1	A-88928	Valve	1	A-88317	Pin-choke	1
* Denotes New Parts											

