

PARTS LIST

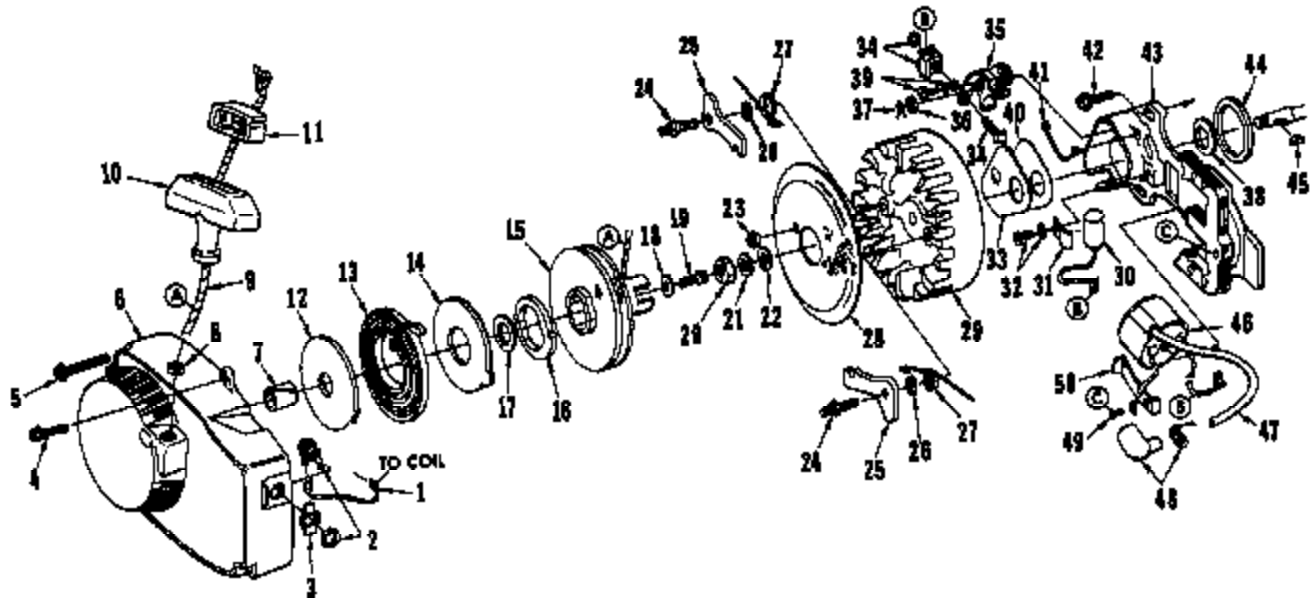
PART NO. 24157-B
PRINTED IN U.S.A.



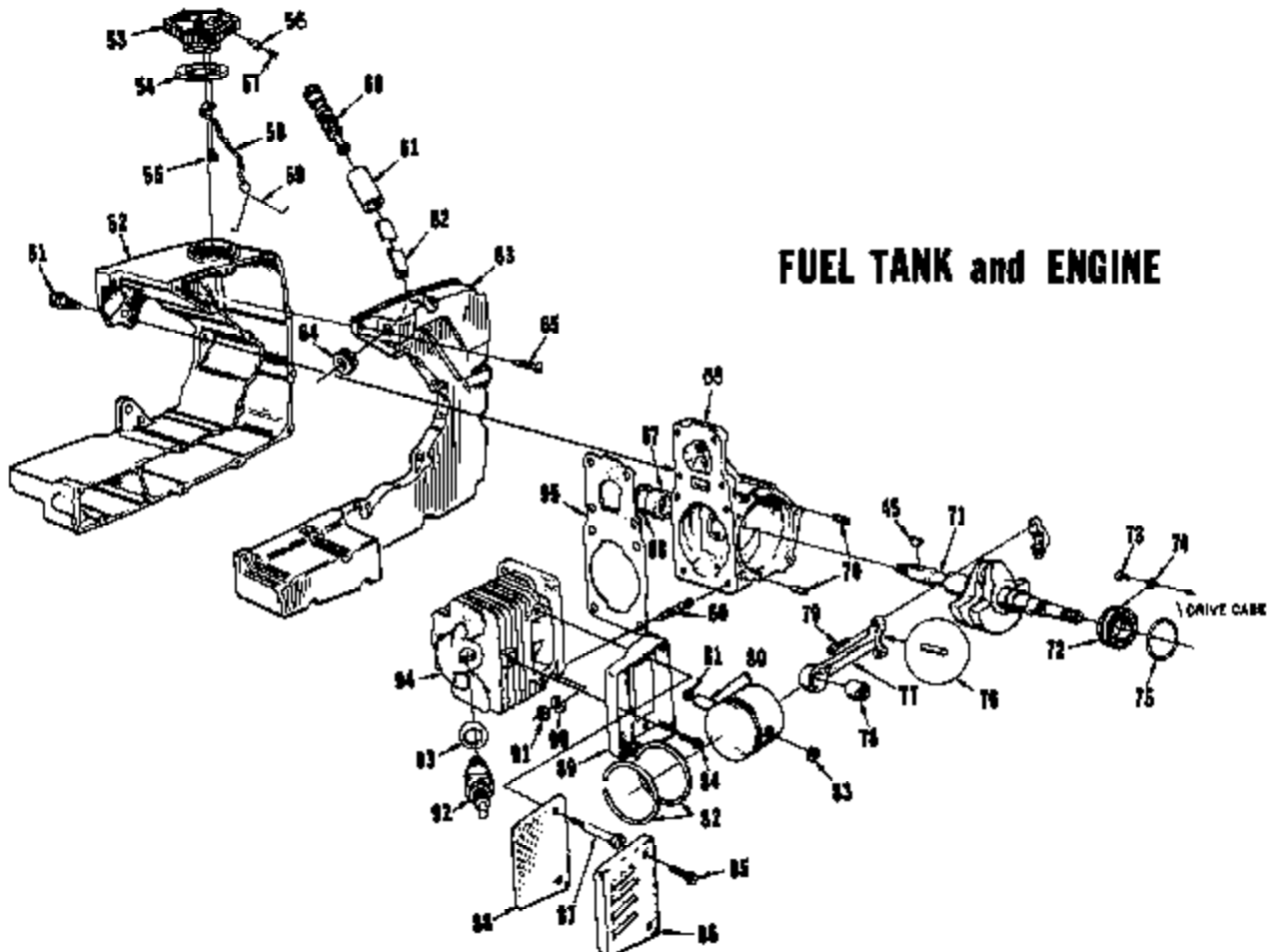
HOMELITE **TEXTRON**

Homelite Division of Textron Inc.

STARTER and MAGNETO



FUEL TANK and ENGINE

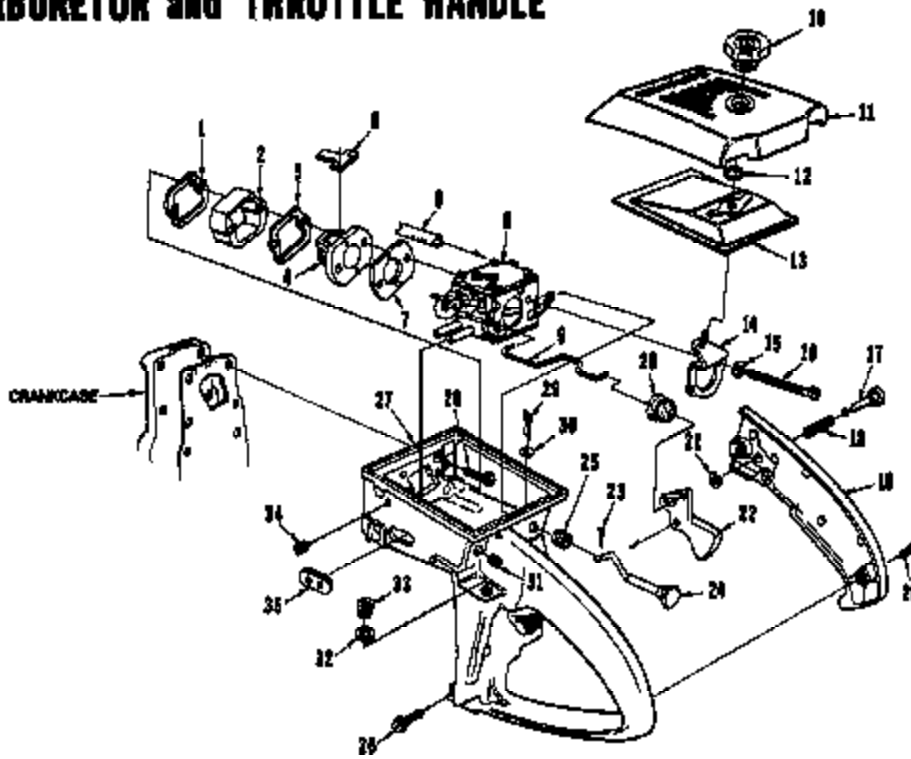


ALWAYS FURNISH MODEL AND SERIAL NUMBER WHEN ORDERING PARTS.

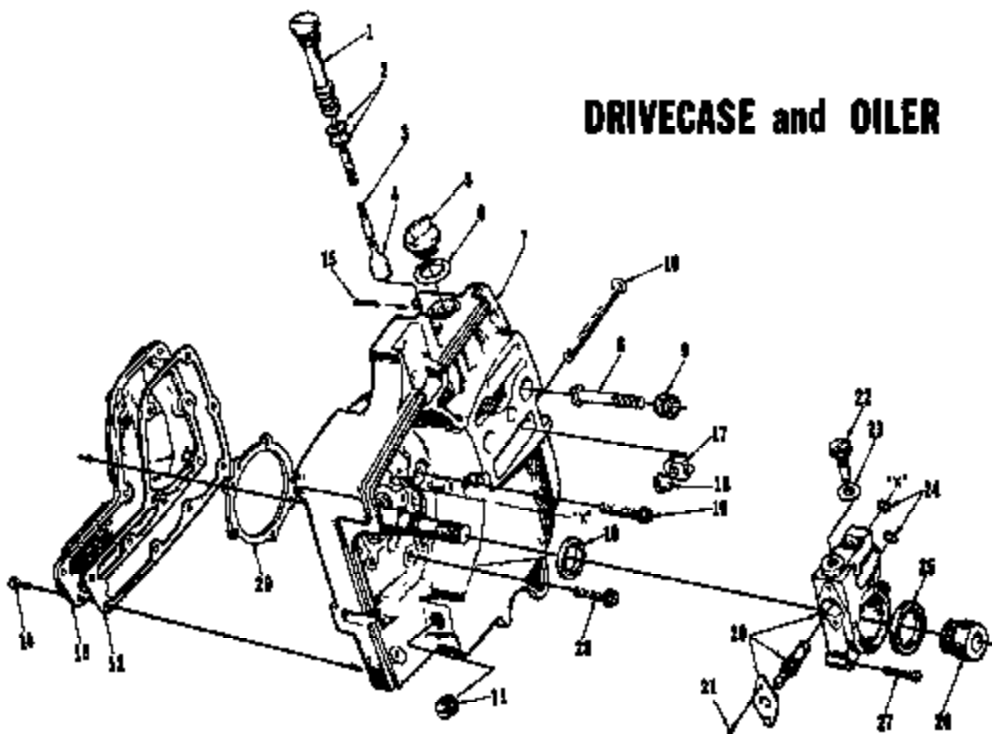
| No. | Description | Part No. | Qty. | No. | Description | Part No. | Qty. |
|-----|--------------------------------|-----------|------|-----|----------------------------------|-----------|------|
| 1 | LEAD-ground w/terminal | A-59031 | 1 | 48 | SCREW-coil ground | 64090 | 1 |
| 2 | SWITCH | A-57650-B | 1 | 50 | CLIP-coil retaining | 63728 | 1 |
| | Includes: NUT | 72084-1A | 1 | 51 | SCREW-hex, 1/4-20 x 3/4 | 62497 | 3 |
| 3 | PLATE-indicating | 72085-A | 1 | 52 | TANK-fuel | A-69396 | 1 |
| 4 | SCREW-hex, 12-24 x 5/8 | 60678 | 1 | 53 | Includes: CAP-fuel filter | A-69500 | 1 |
| 5 | SCREW-hex, 12-24 x 1-11/16 | 59963 | 2 | 54 | Includes: GASKET-fuel filler cap | 69601 | 1 |
| 6 | HOUSING-fan | A-64618 | 1 | 55 | SCREW-pau hd., 8 x 1/4 | 62256 | 1 |
| 7 | Includes: BUSHING-starter post | 64443 | 1 | 56 | VALVE-check | 69451 | 1 |
| 8 | BUSHING-rope | 67177 | 1 | 57 | FILTER-fuel cap | 69454 | 1 |
| 9 | ROPE-starter (48") | 58808 | 1 | 58 | CHAIN-head | 69502 | 1 |
| *10 | GRIP-rope | A-69982-A | 1 | 59 | BETAINDER-filler cap | 69509 | 1 |
| 11 | Includes: INSERT | 79019 | 1 | 60 | FILTER-fuel | A-69929 | 1 |
| 12 | SHIELD-spring (inner) | 59638-A | 1 | 61 | Includes: ELEMENT-felt filter | 64083 | 1 |
| 13 | SPRING-rewind | 59784-A | 1 | 62 | LINE-fuel | 66155 | 1 |
| 14 | SHIELD-spring (outer) | 59639-A | 1 | 63 | COVER-tank | 63739-2 | 1 |
| 15 | PULLEY-starter | A-64446 | 1 | 64 | GROMMET | 66046 | 1 |
| 16 | Includes: LOCK-rewind spring | 64049-A | 1 | 65 | SCREW-rd. hd., 6 x 1/2 | 60513 | 10 |
| 17 | BUSHING-spring lock | 64490 | 1 | 66 | CRANKCASE | A-69801-D | 1 |
| 18 | WASHER-retaining | 59763 | 1 | 67 | Includes: BEARING-needle | 59959 | 1 |
| 19 | SCREW-hex, 10-32 x 1/2 | 60848 | 1 | 68 | SEAL | 12282-A | 1 |
| 20 | NUT-hex, 5/16-24 jam | 61117 | 1 | 69 | STUD | 55871 | 4 |
| 21 | WASHER-lock, 5/16 | 60002 | 1 | 70 | PIN-dowel | 63621 | 2 |
| 22 | WASHER-flat, 5/16 | 64058 | 1 | 71 | CRANKSHAFT | 63473 | 1 |
| 23 | NUT-lock, 10-32 | 61206 | 2 | 72 | BEARING-ball | 58190-S | 1 |
| 24 | STUD-pawl | 58787-D | 2 | 73 | SCREW-bearing retainer | 59704 | 2 |
| 25 | PAWL-starter | 58788 | 2 | 74 | WASHER-lock | 58708 | 2 |
| 26 | WASHER-lock | 63086 | 2 | 75 | RING-retaining | 58319-A | 1 |
| 27 | SPRING-starter pawl | 65875-2 | 2 | *76 | BEARING-needle set (31) | A-67822 | 1 |
| 28 | SCREEN-air | 58785 | 1 | 77 | ROD-connecting | A-63477-B | 1 |
| 29 | ROTOR-magneto | 58809 | 1 | 78 | Includes: BEARING-needle | 59724 | 1 |
| 30 | CONDENSER | 62260 | 1 | 79 | SCREWS-oup hex socket | 69919 | 2 |
| 31 | CLAMP-condenser | 59932 | 1 | 80 | PISTON & PIN | A-63095-C | 1 |
| 32 | SCREW GROUP-condenser clamp | 30261 | 1 | 81 | Includes: RING-retaining | 76120 | 1 |
| 33 | COVER-breaker box | 58811 | 1 | 82 | RING-piston | 58098 | 2 |
| 34 | TERMINAL BLOCK GROUP | A-58934 | 1 | 83 | RING-pin retaining | 64813 | 1 |
| 35 | POINT SET | A-58914 | 1 | 84 | SCREW-pau hd., 12-24 x 1/2 | 60968 | 1 |
| 36 | Includes: WASHER-point | 28026 | 1 | 85 | SCREW-hex, 10-32 x 9/16 | 60625 | 2 |
| 37 | CLIP-cotter | 28009 | 1 | 86 | CAP-muffler | A-63248-1 | 1 |
| 38 | SEAL-felt | 69760 | 1 | 87 | STUD-muffler | 59891-B | 2 |
| 39 | SCREW GROUP-points | 76421 | 1 | 88 | BAFFLE-muffler | 63054 | 1 |
| 40 | GASKET-cover | 58810 | 1 | 89 | BODY-muffler | A-59895-1 | 1 |
| 41 | CLIP-breaker box cover | 76413 | 1 | 90 | WASHER-lock, 1/4 | 63009 | 4 |
| 42 | SCREW-hex, 12-24 x 6/8 | 60676 | 3 | 91 | NUT-1/4-28 | 61085-2 | 4 |
| 43 | BOX-breaker | 58875-A | 1 | 92 | PLUG-spark | 63647-S | 1 |
| 44 | GASKET-starter | 58559 | 1 | 93 | Includes: GASKET | 26036 | 1 |
| 45 | KEY-rotor | 75078 | 1 | 94 | CYLINDER | A-68718 | 1 |
| 46 | COIL-ignition | 58874 | 1 | 95 | Includes: GASKET | 59771 | 1 |
| 47 | LEAD-hi tension | 68969 | 1 | | | | |
| 48 | TERMINAL-hi tension | A-33065 | 1 | | | | |

ALWAYS FURNISH MODEL AND SERIAL NUMBER WHEN ORDERING PARTS

CARBURETOR and THROTTLE HANDLE



DRIVECASE and OILER



ALWAYS FURNISH MODEL AND SERIAL NUMBER WHEN ORDERING PARTS

CARBURETOR and THROTTLE HANDLE

| No. | Description | Part No. | Qty. | No. | Description | Part No. | Qty. |
|-----|----------------------------|-----------|------|-----|-----------------------------------|-----------|------|
| 1 | GASKET-spacer | 88274 | 1 | 19 | COVER-handle | A-59218-I | 1 |
| 2 | DAM-carburetor | 59716 | 1 | | Includes: BUSHING PIN (not shown) | 59094 | 1 |
| 3 | RETAINER-reed valve | 83260-A | 1 | 20 | SCREW-pan, 8-32 x 1/2 | 80560 | 2 |
| 4 | SEAT-reed valve | 83253 | 1 | 21 | RING-retaining | 58400 | 1 |
| 5 | VALVE-reed | 59978-B | 4 | 22 | THROTTLE-trigger | 58959 | 1 |
| 6 | LINE-fuel | 68155 | 1 | 23 | PIN-cotter | 60324 | 1 |
| 7 | GASKET-carburetor | 59722 | 1 | 24 | ROD-choke | A-69650 | 1 |
| 8 | CARBURETOR | A-69847 | 1 | 25 | Includes: GROMMET | 58302 | 1 |
| 9 | ROD-throttle | 59793 | 1 | 26 | SCREW-hex, 12-24 x 7/8 | 80891 | 3 |
| 10 | NUT-cover mounting | A-85272 | 1 | 27 | HANDLE-throttle | A-67840 | 1 |
| 11 | COVER-air filter | 58773-11 | 1 | 28 | Includes: BOOT-throttle rod | 67834 | 1 |
| 12 | RING-retaining | 58319-A | 1 | 29 | PIN-cotter | 66301 | 1 |
| 13 | ELEMENT-filter air | 60588-A | 1 | 30 | WASHER-felt | 63290 | 1 |
| 14 | BRACKET-mounting | A-88822-A | 1 | 31 | PLUG-screw | 63310 | 1 |
| 15 | WASHER-lock, #10 | 83048 | 2 | 32 | GASKET-screw plug | 59799 | 1 |
| 16 | SCREW-hex, 10-32 x 2-11/16 | 80921 | 2 | 33 | PLUG-screw | 59788-2 | 1 |
| 17 | PIN-trigger latch | 58924-4 | 1 | | PLUG-screw (not shown) | 60303 | 1 |
| 18 | SPRING-lock throttle | 58405 | 1 | 34 | SCREW-Idle adjust | 63302 | 1 |
| | | | | 35 | GROMMET | 59770 | 1 |

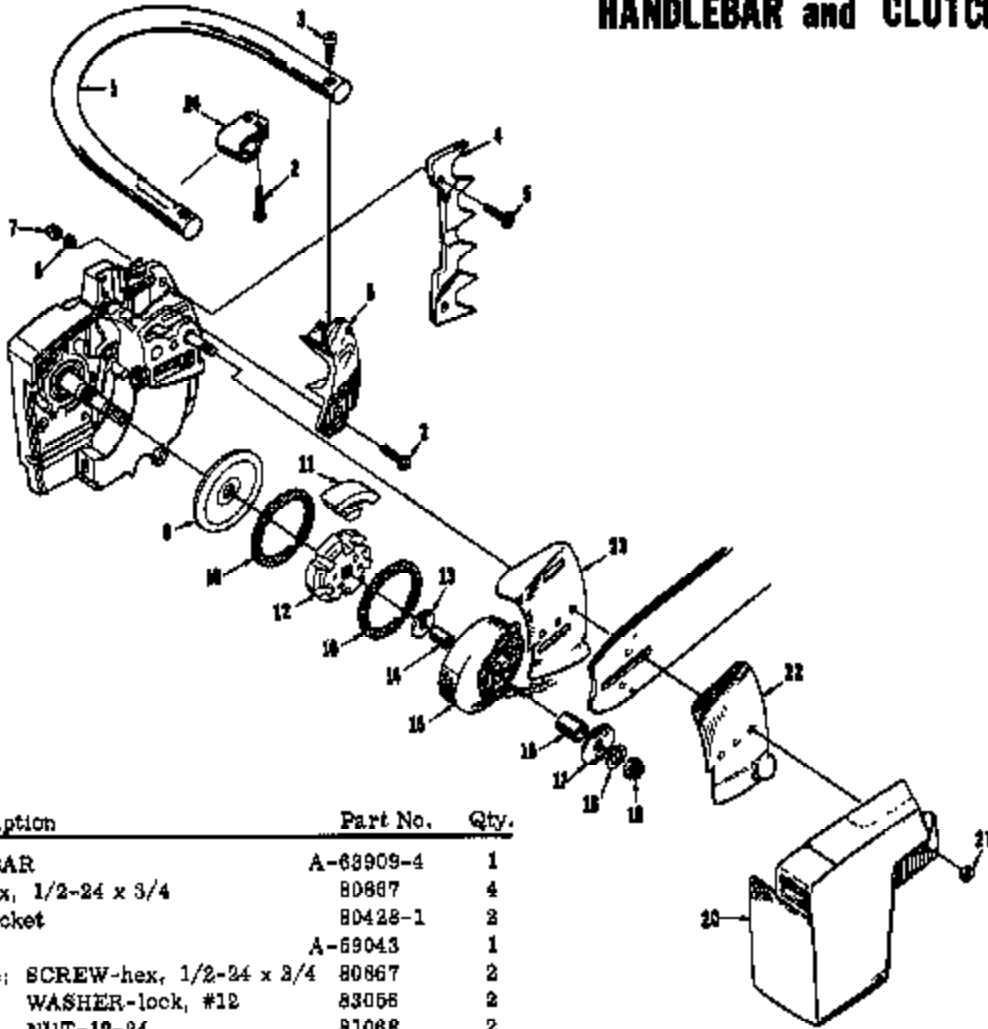
DRIVECASE and OILER

| No. | Description | Part No. | Qty. | No. | Description | Part No. | Qty. |
|-----|------------------------------------|-----------|------|-----|-------------------------------------|----------|------|
| 1 | TUBE-oil line | 59326-2 | 1 | 16 | SCREW-guide bar adjusting | 63225 | 1 |
| 2 | "O" RING | 59765 | 2 | 17 | PIN-bar adjusting | 67696-1A | 1 |
| 3 | LINE-oil | 69372 | 1 | 18 | NUT-lock, 1/4-20 | 81204 | 1 |
| 4 | FILTER-oil | A-68688 | 1 | 19 | SCREW-hex, 12-24 x 1 | 80864 | 1 |
| 5 | CAP-oil filler | A-63717-B | 1 | 20 | PUMP-automatic oiler | A-64884 | 1 |
| 6 | Includes: GASKET | 58607 | 1 | 21 | Includes: SCREW-pan hd., 4-40 x 1/4 | 80919 | 2 |
| | VALVE-vent check (not shown) | 69451 | 1 | 22 | SCREW-cam | 64102-A | 1 |
| | | | | 23 | GASKET-cam screw | 59736 | 1 |
| 7 | DRIVECASE (See Note 1) | A-58930-E | 1 | 24 | "O" Ring | 59074 | 3 |
| 8 | Includes: STUD-guide bar, 3/8 | 67476 | 2 | 25 | SEAL-felt | 59926 | 1 |
| 9 | INSERT-threaded, 3/8 | 67476 | 1 | 26 | WORM | 89875 | 1 |
| 10 | SEAL-shaft | 58306-B | 1 | 27 | SCREW-pan hd., 6-32 x 3/4 | 60248 | 9 |
| 11 | PLUG-1/8 pipe | 28097 | 1 | 28 | SCREW-hex, 12-24 x 9/16 | 80899 | 4 |
| 12 | GASKET-oil reservoir | 59710 | 1 | | | | |
| 13 | COVER-oil reservoir | 59649-4A | 1 | | | | |
| 14 | SCREW-rd. hd., 6 x 1/3 | 80513 | 9 | | | | |
| 15 | PIN-cotter | 66301 | 1 | | | | |
| | GASKET-check valve cap (not shown) | 58336 | 1 | | | | |
| | CAP-check valve (not shown) | 65148 | 1 | | | | |

Note #1 - Use crankcase assembly A-88060-A for units with serial numbers below #80480001.

ALWAYS FURNISH MODEL AND SERIAL NUMBER WHEN ORDERING PARTS

HANDLEBAR and CLUTCH



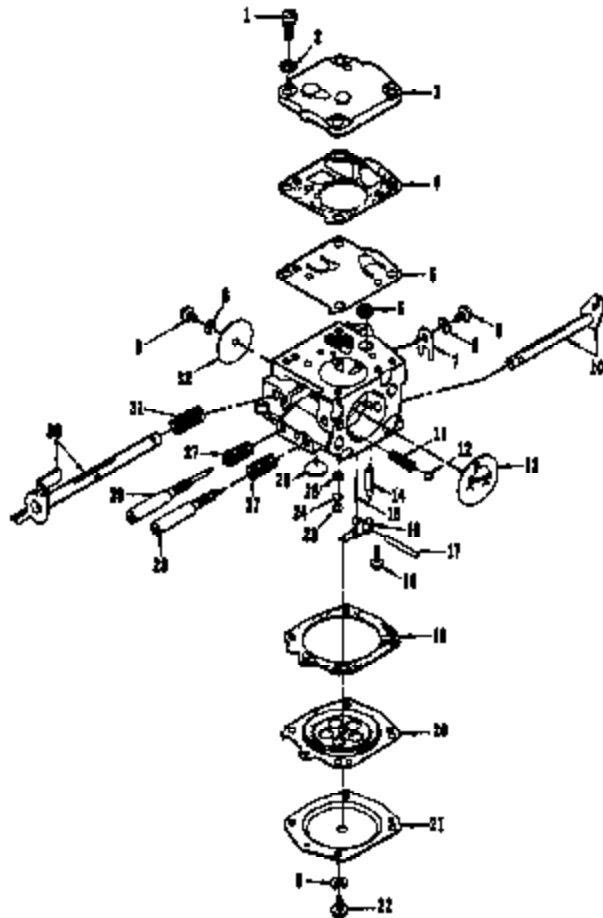
| No. | Description | Part No. | Qty. |
|-----|--|-----------|------|
| 1 | HANDLE BAR | A-69909-4 | 1 |
| 2 | SCREW-hex, 1/2-24 x 3/4 | 80867 | 4 |
| 3 | SCREW-socket | 80428-1 | 2 |
| 4 | BUMPER | A-69043 | 1 |
| 5 | Includes: SCREW-hex, 1/2-24 x 3/4 | 80867 | 2 |
| 6 | WASHER-lock, #12 | 83056 | 2 |
| 7 | NUT-12-24 | 81068 | 2 |
| 8 | BRACKET-handle bar | 59661-1 | 1 |
| 9 | COVER-clutch | 58751 | 1 |
| 10 | SPRING-clutch | 55123-C | 2 |
| 11 | SHOE-clutch | 68928-1 | 6 |
| *12 | SPIDER-clutch | 68927-1 | 1 |
| 13 | WASHER-thrust (inner) | 58833 | 1 |
| 14 | RACE-inner | 55584 | 1 |
| *15 | SPOCKET & DRUM(7 tooth)3/8pitch | A-59552 | 1 |
| 16 | Includes: ROLLER-needle set (31) | 72311 | 1 |
| | SPROCKET & DRUM, (7 tooth) .404 pitch (see note #2) | A-59555 | 1 |
| | Includes: BEARING-needle | 72311 | 1 |
| 17 | WASHER-thrust (outer) | 85084 | 1 |
| 18 | WASHER-lock, 3/8 | 83018 | 1 |
| 19 | NUT-lock, 3/8-24 | 81124 | 1 |
| 20 | COVER-drivecase | 58750-19 | 1 |
| 21 | NUT-hex, 3/8-16 | 81059-2 | 2 |
| 22 | PLATE-guide bar (outer) 3/8 dia. | 67510 | 1 |
| 23 | PLATE-guide (inner) 3/8 dia. (8.63 mm) | 87509 | 1 |
| 24 | CLAMP-handle bar | 83291-A | 1 |

* Denotes new parts

Note #2 - When ordering sprocket and drum, be sure sprocket pitch matches the pitch of the chain you wish to use.

ALWAYS FURNISH MODEL AND SERIAL NUMBER WHEN ORDERING PARTS

CARBURETOR ASSEMBLY



| No. | Description | Part No. | Qty. |
|-----|-------------------------------|----------|------|
| 1 | SCREW-Fil. hd., 6-32 x 3/8 | 80275 | 4 |
| 2 | WASHER-lock, #6 | 83084 | 4 |
| 3 | COVER-fuel pump | 58975 | 1 |
| 4 | GASKET-pump diaphragm | 58981 | 1 |
| 5 | DIAPHRAGM-fuel pump | †58980-R | 1 |
| 6 | SCREEN-fuel inlet | †58974 | 1 |
| 7 | CLIP-throttle shaft | 58982 | 1 |
| 8 | WASHER-lock, #4 | 83008-1 | 6 |
| 9 | SCREW-rd. hd., 4-40 x 3/16 | †80284 | 2 |
| 10 | SHAFT-throttle | 69651 | 1 |
| 11 | SPRING-choke friction | 78264 | 1 |
| 12 | BALL-3/32" dia. | 26527 | 1 |
| 13 | SHUTTER-choke | 58984 | 1 |
| 14 | NEEDLE-inlet | 58717 | 1 |
| 15 | SPRING-control lever | †55759 | 1 |
| 16 | LEVER-inlet control | †58718 | 1 |
| 17 | PIN-fulcrum | †58977 | 1 |
| 18 | SCREW-pan hd., 4-40 x 5/16 | †58992 | 1 |
| 19 | GASKET-main diaphragm | 58978 | 1 |
| 20 | DIAPHRAGM-main control | †58988 | 1 |
| 21 | COVER-main diaphragm | 58979 | 1 |
| 22 | SCREW-rd. hd., 4-40 x 1/4 | 80591 | 4 |
| 23 | PLUG-extension, 7/32" dia. | †58994 | 1 |
| 24 | RING-retaining | 57819 | 1 |
| 25 | SCREEN-channel | 68600 | 1 |
| 26 | PLUG-extension, 11/32" dia. | †58991 | 1 |
| 27 | SPRING-adj. needle | †73075 | 2 |
| 28 | NEEDLE-main adjusting | 58888 | 1 |
| 29 | NEEDLE-idle mixture adjusting | 58985 | 1 |
| 30 | SHAFT-throttle | A-83345 | 1 |
| 31 | SPRING-throttle opening | †59460 | 1 |
| 32 | THROTTLE-shutter | 26050 | 1 |
| | GASKET SET | †67866 | 1 |
| | REPAIR KIT | 67868 | 1 |
| | DIAPHRAGM & GASKET SET | 68711 | 1 |

† Indicates contents of Repair Kit 67869

TOOLS

| | | | |
|-------------------------------------|---------|--|-----------|
| ANVIL-crankshaft installation | 23846-4 | SLEEVE-seal installation | 23843 |
| COLLAR-bearing installation | 23820-1 | SLEEVE-seal protecting drivecase Assy. | 23769 |
| JACK SCREW ASSEMBLY | A-23137 | SLEEVE-seal protecting drivecase | 23844 |
| Includes: WASHER | 64035 | SLEEVE-shaft & bearing installation | 23854-A |
| PLIERS-snap ring | 23888 | SPANNER-wrench clutch | A-23934 |
| PLUG-bearing installation | 23756 | INCLUDES: PIN-clutch spanner (3) | 23954 |
| PLUG-bearing installation | 23757 | WRENCH-insert | A-23841-A |
| PLUG-bearing installation | 23819 | WRENCH-socket (conn. rod screws) | 23528 |
| PLUG-piston pin removal | A-23948 | WRENCH-spanner | A-23696-A |
| Includes: "O" RING (1) | 67900 | Includes: PIN (2) | 23717-A |
| PLUG-seal installation | 23753 | | |
| PLUG-seal installation | 23845 | Paint | |
| PULLER-magneto rotor | A-23980 | SPRAY CAN-black | 23772 |
| SLEEVE-bearing & shaft installation | 23136 | SPRAY CAN- red | 23476 |
| SLEEVE-seal installation | 23800 | REEL-250 ft. starter rope #5 | 57084-1 |

ALWAYS FURNISH MODEL AND SERIAL NUMBER WHEN ORDERING PARTS

| Part No. | Description | Qty. | Part No. | Description | Qty. | Part No. | Description | Qty. | Part No. | Description | Qty. |
|---------------------|-------------------|------|-----------|-----------------------|------|------------|---------------------|------|-----------------|------------------|------|
| 12282-A | Seal | 1 | 18808 | Rotor-magneto | 1 | 63064 | Baffle-muffler | 1 | 72371 | Roller-needle | 1 |
| 22772 | Paint-black | 1 | 38310 | Gasket-cover | 1 | A-63045-C | Piston & Pin | 1 | 73073 | Spring-adjusting | 2 |
| 22820-I | Collar-bearing | 1 | 58811 | Cover-breaker | 1 | A-63246-I | Cap-muffler | 1 | 73264 | Spring-choke | 1 |
| 22828 | Pliers-camp ring | 1 | 68839 | Throttle-trigger | 1 | 63230 | Condenser | 1 | 75078 | Key-rotor | 1 |
| 23136 | Sleeve-bearing | 1 | 38874 | Coil-ignition | 1 | 63264 | Seal-road valve | 1 | 75180 | Ring-retaining | 1 |
| A-23147 | Jack & Blow Assy. | 1 | 38875-A | Box-breaker | 1 | 63260-A | Retainer-road | 1 | 76413 | Clip-breaker box | 1 |
| 23475 | Paint-red | 1 | A-58834 | Point-set | 1 | 63281-A | Clamp-handle bar | 1 | 76421 | Screw Group | 1 |
| 23528 | Wrench-socket | 1 | 38824-4 | Pin-trigger latch | 1 | 63303 | Plug-screw | 1 | FASTENING PARTS | | |
| A-23606-A | Wrench-spanner | 1 | 58127-I | Spider-clutch | 1 | 63310 | Plug-screw | 1 | 28028 | Washer-paint | 1 |
| 23717-A | Pin | 2 | 58128-I | Shoe-clutch | 6 | A-63345 | Shaft-throttle | 1 | 30261 | Screw-condenser | 1 |
| 23776 | Plug-bearing | 1 | A-38841 | Terminal | 1 | 63173 | Crankshaft | 1 | 58763 | Washer-retaining | 1 |
| 23757 | Plug-bearing | 1 | 58436 | Bearing-needle | 1 | A-63477-13 | Rod-connecting | 1 | 58838 | Washer-thrust | 1 |
| 23778 | Plug-seal | 1 | 38906 | Lead-in-tension | 1 | 63047-B | Plug-spark | 1 | 58843 | 12-24 x 1-11/16 | 3 |
| 23758 | Sleeve-seal | 1 | 58874 | Bore-inlet inlet | 1 | 63589-A | Element-filter | 1 | 58882 | 4-40 x 5/16 | 3 |
| 23819 | Plug-bearing | 1 | 58975 | Cover-fuel pump | 1 | 63711 | Dia. & Gasket | 1 | 58704 | Screw-bearing | 2 |
| 24800 | Sleeve-seal | 1 | 58977 | Pin-fulcrum | 1 | 63631 | Pin-dowel | 2 | 58706 | Washer-lock | 2 |
| A-23843-A | Wrench-invert | 1 | 58978 | Gasket-main dia. | 1 | A-64177-B | Cap-oil filter | 1 | 63225 | Screw-guide bar | 1 |
| 23843 | Sleeve-seal | 1 | 58979 | Cover-main dia. | 1 | 63726 | Clip-coil | 1 | 63250 | Washer-felt | 1 |
| 23844 | Sleeve-seal | 1 | 58980-R | Diaphragm-fuel | 1 | 63719-2 | Cover-tank | 1 | 63302 | Screw-idle | 1 |
| 24846 | Plug-seal | 1 | 58981 | Gasket-pump dia. | 1 | A-64009-I | Handle bar | 1 | 63907 | 1/4-20 x 3/4 | 3 |
| 24846-I | Avail-crankshaft | 1 | 58982 | Clutch-throttle shaft | 1 | 64049-A | Lock-rewind | 1 | 64050 | Screw-coil | 1 |
| 23884-A | Sleeve-shaft | 1 | 58984 | Shutter-choke | 1 | 64083 | Element-felt filter | 1 | 64102-A | Screw-main | 1 |
| A-24034 | Spanner-wrench | 1 | 58983 | Needle-idle | 1 | 64400 | Bushing-spring | 1 | 65064 | Washer-thrust | 1 |
| A-23949 | Plug-piston pin | 1 | 18086 | Needle-main | 1 | 64443 | Bushing-warmer | 1 | A-65272 | Nut-cover | 1 |
| 23854 | Pin-clutch | 1 | 38988 | Diaphragm-main | 1 | A-64446 | Pulley-starter | 1 | 68018 | Screw | 2 |
| A-23960 | Puller-magneto | 1 | 38991 | Plug-extension | 1 | A-64518 | Housing-fan | 1 | 72084-1A | Nut | 1 |
| 26048 | Gasket | 1 | 38801 | Plug-extension | 1 | 64813 | Ring-pin retaining | 1 | 80248 | 8-32 x 3/4 | 2 |
| 26030 | Throttle-shutter | 1 | A-54017 | Lead-ground | 1 | A-64884 | Pump-automatic | 1 | 80264 | 4-40 x 3/16 | 2 |
| 25527 | Ball, 3/32 dia. | 1 | A-54043 | Bumper | 1 | 65143 | Cap-check valve | 1 | 80275 | 6-32 x 3/8 | 4 |
| 28008 | Clip-cotter | 1 | 64064 | Bushing-pin | 1 | 65275-2 | Spring-pawl | 2 | 80428-1 | Screw-socket | 2 |
| 28097 | Plug-1/8 pipe | 1 | 39074 | "O" Ring | 2 | 67177 | Bushing-royce | 1 | 80515 | 6 x 1/2 | 2 |
| A-33055 | Terminal | 1 | A-38213-1 | Cover-handle | 1 | 67175 | Stud-guide bar | 2 | 80560 | 8-32 x 1/2 | 2 |
| 36038 | Ring-piston | 2 | 59274 | Gasket-spacer | 1 | 67276 | Insert-threaded | 1 | 80591 | 4-40 x 1/4 | 4 |
| 33123-C | Spring-clutch | 2 | 39460 | Spring-throttle | 1 | 67309 | Plate-guide bar | 1 | 80648 | 10-32 x 1/2 | 1 |
| 55584 | Race-roller | 1 | 69300 | Screw-chain | 1 | 67510 | Plate-guide bar | 1 | 80676 | 12-24 x 5/8 | 4 |
| 55758 | Spring-control | 1 | A-59358 | Sprocket & Drum | 1 | 67586-1A | Pin-bar adjusting | 3 | 80825 | 10-32 x 9/16 | 2 |
| 55871 | Stud | 4 | 59358 | Gasket-shutter | 1 | 67644 | Shut-throttle rod | 1 | 80864 | 12-24 x 1 | 1 |
| 36607 | Gasket | 1 | 39622 | Clamp-condenser | 1 | A-67822 | Bearing-needle | 1 | 80867 | 1/2-24 x 3/4 | 5 |
| 37084-1 | Head-250 fl. | 1 | 59698-A | Shield-spring | 1 | A-67810 | Handle-throttle | 1 | 80891 | 12-24 x 7/8 | 5 |
| A-37630-3 | Switch | 1 | 59639-A | Shield-spring | 1 | 67866 | Gasket set | 1 | 80898 | 12-24 x 8/16 | 4 |
| 37819 | Ring-retaining | 1 | 39649-1A | Cover-oil | 1 | 67869 | Repair Kit | 1 | 80916 | 4-40 x 1/4 | 2 |
| 58180-B | Bearing-ball | 1 | 59651-1 | Bracket-handle | 1 | 67908 | "O" Ring | 1 | 80921 | 10-32 x 2-11/16 | 2 |
| 58308-13 | Seal-shaft | 1 | 39675 | Worm | 1 | 68046 | Groutnut | 1 | 80963 | 12-24 x 1/2 | 1 |
| 58419-A | Ring-retaining | 2 | 39678-13 | Valve-rod | 1 | 68135 | Lanc-fuel | 1 | 81065-2 | Nut-1/4-24 | 4 |
| 59425-2 | Tube-oil line | 1 | 39710 | Gasket-oil | 1 | A-68396 | Lanc-fuel | 1 | 81068 | Nut-12-24 | 2 |
| 38318 | Gasket-check | 1 | 39716 | Lever-inlet | 1 | A-68503 | Filter-oil | 1 | 81089-2 | Nut-3/8-16 | 2 |
| 58362 | Groutnut | 1 | 39717 | Needle-inlet | 1 | 69372 | Lanc-oil | 1 | 81117 | Nut-5/16-24 | 1 |
| 38403 | Spring-lock | 1 | 59718 | Dam-carburator | 1 | 69451 | Valve-check | 2 | 81121 | Nut-3/8-24 | 1 |
| 18403 | Ring-retaining | 1 | 39722 | Gasket-carb. | 1 | 69454 | Filter-fuel cap | 1 | 81204 | Nut-1/4-24 | 1 |
| *A-30552 | Sprocket & Drum | 1 | 59736 | Gasket-cam | 1 | A-69500 | Cap-fuel filter | 1 | 81266 | Nut-10-32 | 2 |
| 58724 | Bearing-needle | 1 | 39760 | Seal-felt | 1 | 69501 | Gasket-stet filler | 1 | 82256 | 6 x 1/4 | 1 |
| 58750-14 | Cover-drivecase | 1 | 39764 | Rod-throttle | 1 | 69502 | Chain-board | 1 | 63002 | Washer-5/16 | 1 |
| 58753 | Cover-clutch | 1 | 39765 | "O" Ring | 2 | 69703 | Retainer-filter | 1 | 83008-7 | Washer-61 | 6 |
| 58756 | Pawl-starter | 2 | 59770 | Lug-nut | 1 | A-69647 | Carburator | 1 | 83009 | Washer-1/4 | 4 |
| 58757-D | Stud-pawl | 2 | 39771 | Gasket | 1 | A-69650 | Rod-choke | 1 | 83018 | Washer-3/8 | 1 |
| 58761-A | Spring-rewind | 1 | A-59801-D | Crankcase | 1 | 69651 | Shut-throttle | 1 | 83024 | Washer-16 | 4 |
| 58765 | Screen-air | 1 | A-58822-A | Bracket-mounting | 1 | A-69716 | Cylinder | 1 | 83046 | Washer-110 | 2 |
| 58773-11 | Cover-air filter | 1 | 39881-B | Blank-muffler | 2 | A-69823 | Filter-fuel | 1 | 83056 | Washer-112 | 4 |
| 59748-2 | Plug-screw | 1 | A-59893-1 | Body-muffler | 1 | A-69962-A | Clamp-royce | 1 | 84035 | Washer | 1 |
| 59709 | Gasket-screw | 1 | 39926 | Seal-felt | 1 | 79018 | Insert | 1 | 84056 | Washer-5/16 | 1 |
| 58806 | Rope-starter | 1 | A-69930-B | Drivecase | 1 | 72083-A | Plate-indicating | 1 | 85301 | Pin-cotter | 2 |
| * Denotes new parts | | | | | | | | | | | |

EBC48C

HOMELITE TEXTRON

Homelite Division of Textron Inc