

3-23-71  
**PARTS LIST**

# HOMELITE

---

## XL - 123

### CHAIN SAW

**HOMELITE®**

A **Textron**  
DIVISION

PORT CHESTER, N.Y. U.S.A.

# XL-123

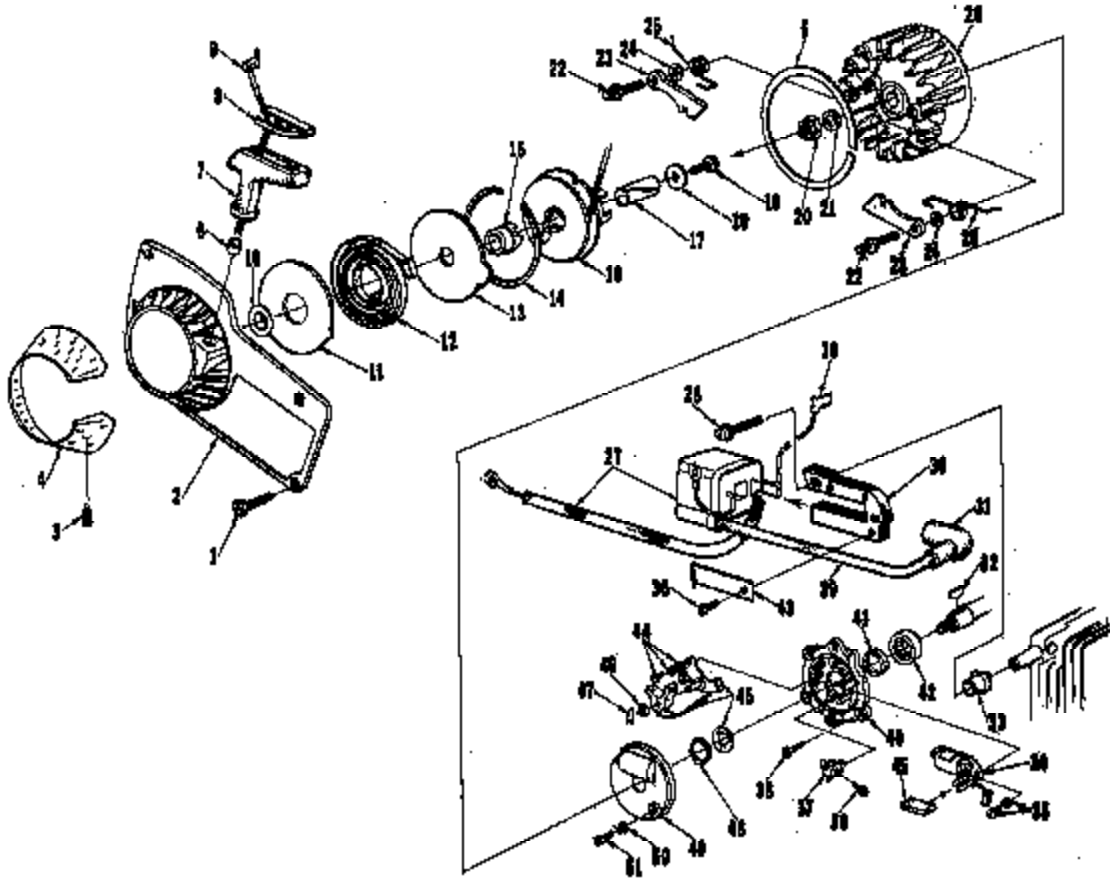
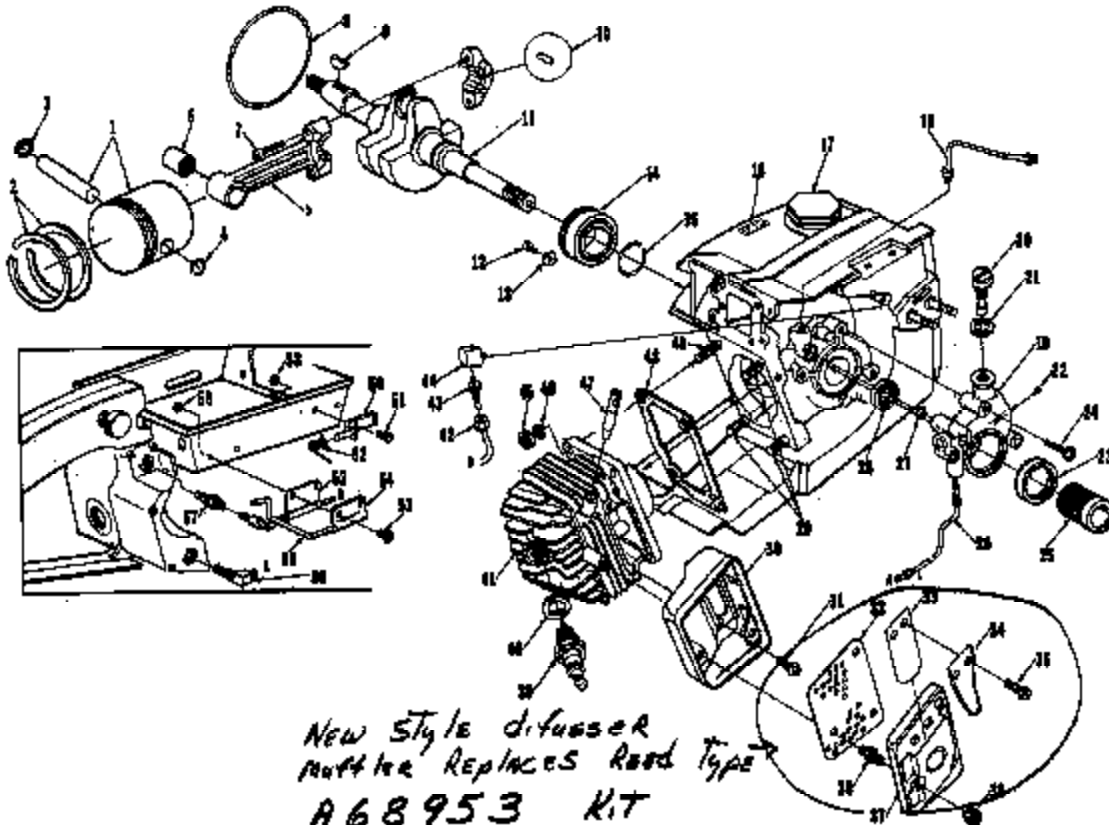


FIGURE 1

No.	Description	Part No.	Qty.	No.	Description	Part No.	Qty.
1	SCREW-hex, 8-32 x 1/2	80888	4	27	COIL-ignition	84091	1
2	HOUSING-fan	A-87192-A	1	28	SCREW-coil core	84021	2
3	Includes: STUD-drive	87191	4	29	LEAD-ground to switch	A-63939	1
4	SCREEN-fan housing	85491	1	30	CORE-coil	84422	1
5	RING-air flow	87222	1	31	TERMINAL-spark plug	A-83055	1
6	BUSHING-starter rope	87177	1	32	KEY-woodruff	75078	1
7	GRIP-starting rope	84155-A	1	33	RETAINER-lead	84301	1
8	INSERT-rope retaining	84154-A	1	34	CONDENSER & CLAMP	84088	1
9	ROPE-starter	83869	1	35	SCREW-condenser clamp	85411	2
10	WASHER	87185	1	36	SCREW	84090	2
11	SHIELD-spring (inner)	83713	1	37	BLOCK-terminal	84088	1
12	SPRING-rewind	83670	1	38	SCREW-back plate retainer	85321	3
13	SHIELD-spring (outer)	83714	1	39	LEAD-high tension	88388	1
14	RING-shield retaining	83875	1	40	PLATE-back	A-88142	1
15	LOCK-spring	84848	1	41	Includes: SEAL	88688-A	1
16	PULLEY & CUP ASSEMBLY	A-83852-B	1	42	BEARING-roller	87395	1
17	BUSHING-starter post	84374	1	43	CLIP-coil retaining	84423	1
18	WASHER-retaining	83806	1	44	SCREW-breaker clamp	78421	2
19	SCREW-hex, 10-32 x 1/2	80849	1	45	POINT-set w/felt	A-84097	1
20	NUT-lock, 5/16-24	81112	1	46	Includes: WASHER-post	28028	1
21	WASHER-flat, 5/16	84085-1	1	47	CLIP-post	28008	1
22	STUD-shoulder	83877	2	48	RETAINER-felt	84089	1
23	PAWL-starter	84442	2	49	COVER-breaker box	A-83928	1
24	WASHER-flat	88851	2	50	WASHER-flat #8	84018	2
25	SPRING-starter pawl	88758-2	2	51	SCREW-cover	84088	2
26	ROTOR-magneto	83637	1				

\*Denotes new parts

# XL-123



*New Style diffuser  
Muffler Replaces Road Type  
A68953 KIT  
EFF: SN 11601140  
FIGURE 2*

No.	Description	Part No.	Qty.	No.	Description	Part No.	Qty.
* 1	PISTON & PIN Includes:	A-68438	1		MUFFLER-read (complete)	<del>A-67488-B</del>	1 <b>A68953</b>
2	PISTON RING	68438	2	30	BODY-muffler	<del>A-67488-B</del>	1 <b>A64130-2</b>
3	RING-retaining	75120	1	31	SCREW-hex, 12-24 x 1/2	80821	3
4	RING-piston pin retaining	64819	1	32	BAFFLE-muffler	<del>62488</del>	1 <b>68472</b>
* 5	ROD-connecting	A-68498	1	33	REED	87394	1
6	Includes: BEARING-needle	67408	1	34	STOP-rod	87413-1A	1
7	SCREW	80841	2	35	SCREW-pan, 8-32 x 1/4	80695	2
* 8	"O" RING	58765	1	36	NUT-flx (#10-32)	61109-2	3
9	KEY-woodruff	78078	1	37	CAP-muffler	<del>A-67627-1B</del>	1 <b>68951-1 with shield</b>
*10	ROLLER-needle (set of 26)	A-68495	1	38	STUD-muffler	88108-1	3 <b>68470-1 - no shield</b>
*11	CRANKSHAFT	68780	1	39	SPARK PLUG	88547-8	1
12	SCREW-bearing retainer	58704	2	40	Includes: GASKET	25038	1
13	WASHER-special	82908	2	*41	CYLINDER	A-65786-1	1
14	BEARING-ball	68868-B	1	42	LINE-oil (manual)	A-67079	1
15	RING-retaining	58319-A	1	43	FITTING-straight	85888	1
16	DECAL	64144	1	44	CONNECTOR-elbow	31784	1
17	CAP-fuel filler	A-65288-A	1	45	NUT-hex, 1/4-28	61085-2	4
18	LINE-oil (auto. upper)	A-63819	1	46	WASHER-lock, 1/4	83009	4
19	PUMP-automatic oil	A-87023	1	47	PIN-compression release	A-67482	1
	Includes:			48	GASKET-cylinder	65829	1
20	SCREW-orn	64102-A	1	49	STUD-cylinder (long)	69868	1
21	GASKET	89738	1	50	PIVOT PIN & BRACKET	A-64656-2	1
22	SCREW-pan, 4-40 x 1/4	80919	2	51	SCREW-pan, 8-32 x 3/8	80871	4
23	SEAL-felt	64393	1	52	SPRING-relief valve	64653	1
24	SCREW-pan, 8-32 x 7/8	80568	3	53	CLAMP-oil	86949-2	1
25	WORM-oil pump	68328	1	54	CLAMP-lever	84865-2	1
26	LINE-oil (auto. lower)	A-63847	1	55	LEVER-relief valve	84804-B	1
27	"O" RING	58074	1	56	FILTER-oil	A-84741	1
28	SEAL	58308-A	1	57	VALVE-check	A-85848	1
29	STUD-cylinder (short)	66871	3	58	NUT-flexlock, 8-32	81126	4

\* Denotes new parts

# XL-123

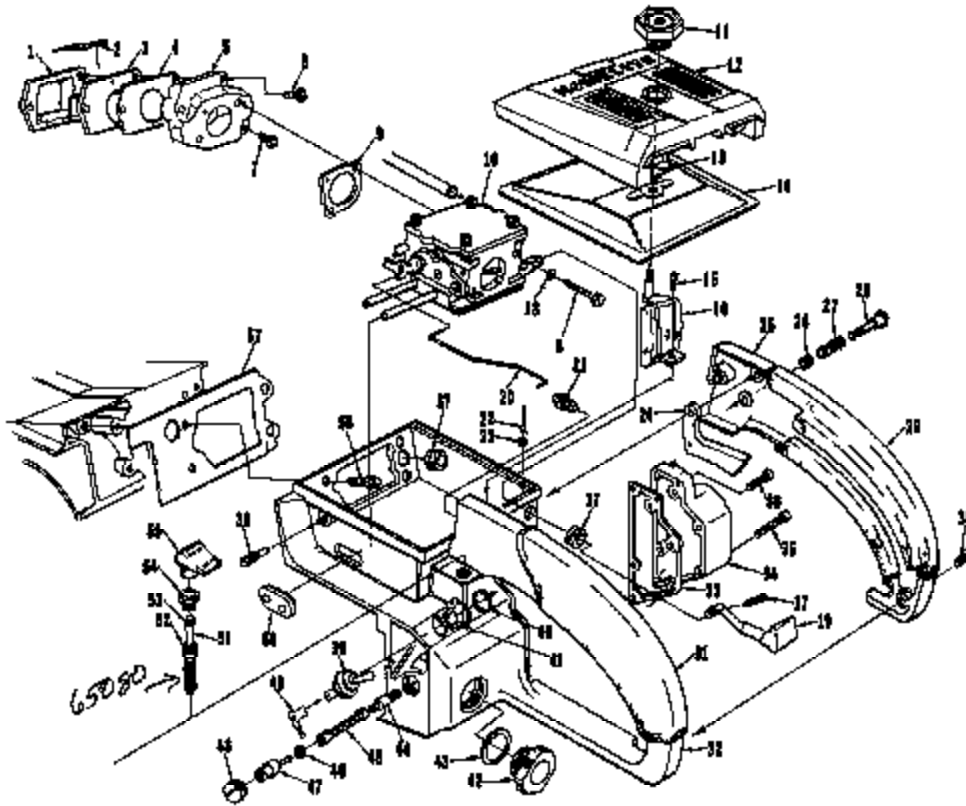


FIGURE 3

No.	Description	Part No.	Qty.	No.	Description	Part No.	Qty.
1	RETAINER-reed valve	64359-A	1	*33	HANDLE-throttle	A-68488	1
2	REED-valve	59878-B	4		Includes:		
3	SEAT-reed valve	64252-A	1		RIVET-accordion (not shown)	65889	4
4	GASKET-reed valve seat	64266	1	33	GASKET-oil tank	67265	1
5	MANIFOLD-intake	A-67502-A	1	34	COVER-oil tank	A-68120	1
6	Includes: SCREW-pan, 8-32 x 1-1/4	82174	2		Includes: PLUG-pipe (not shown)	59571	1
7	SCREW-pan, 8-32 x 1	82173	1	35	SCREW-fl, 8-32 x 1-5/8	82153	3
8	SCREW-hex, 10-32 x 1-7/8	82179	2	36	SCREW-fl, 8-32 x 3/4	82159	3
9	GASKET-carburator	67631	1	37	GROMMET	64362	2
*10	CARBURETOR (SDC-32)	A-68482	1	38	SCREW-idle adjustment	65322	1
11	NUT-cover mounting	A-67627	1	39	SWITCH	A-68936	1
12	COVER-air filter	69183-4	1	40	Includes: NUT	73084-A1	1
13	RODQ-retaining	58318-A	1	41	PLATE-"On-Off"	69910	1
14	FILTER ELEMENT-air	A-63956-A	1	42	CAP-oil (vented)	A-65284-A	1
15	SCREW-hex, 12-24 x 1/2	80821	1	43	Includes: "O" RING	65133	1
*16	BRACKET-air filter cover	A-68058	1		VALVE-vent (not shown)	63718	1
17	PIN-cotter	88324	1	44	FILTER-oil (manual)	A-64293	1
18	WASHER-lock, #10	88046	2	45	LINE-flexible oil	64356	1
19	ROD-choke	67090-1	1	46	GASKET	69786	1
20	ROD-throttle	63596-1A	1	47	FITTING-check valve	A-63936	1
21	BOOT-throttle rod	67634	1	48	SCREW-set	83113	1
22	PIN-cotter	88301	1	49	LEAD-ground	A-63939	1
23	WASHER-felt	63390	1	50	GROMMET-"Hi-Lo"	68858	1
24	TRIGGER-throttle	63212-A	1	51	PLUNGER-oil pump	A-68061-A	1
*25	COVER-throttle handle	69599-5	1	52	Includes: "O" RING	68406	1
26	BUSHING-throttle lock	64646	1	53	"O" RING	69074	1
27	SPRING-throttle lock	64677	1	54	NUT-plunger	85062	1
28	PIN-throttle lock	66592	1	55	BUTTON-oil pump	67986	1
*29	GRIP-throttle handle cover	68467	1	56	SCREW-hex, 12-24 x 6/8	80876	4
30	SCREW-pan, 8-32 x 1/2	60660	2	57	GASKET-throttle handle	64267	1
*31	GRIP-throttle handle	68468	1		* Denotes new parts		

# XL-123

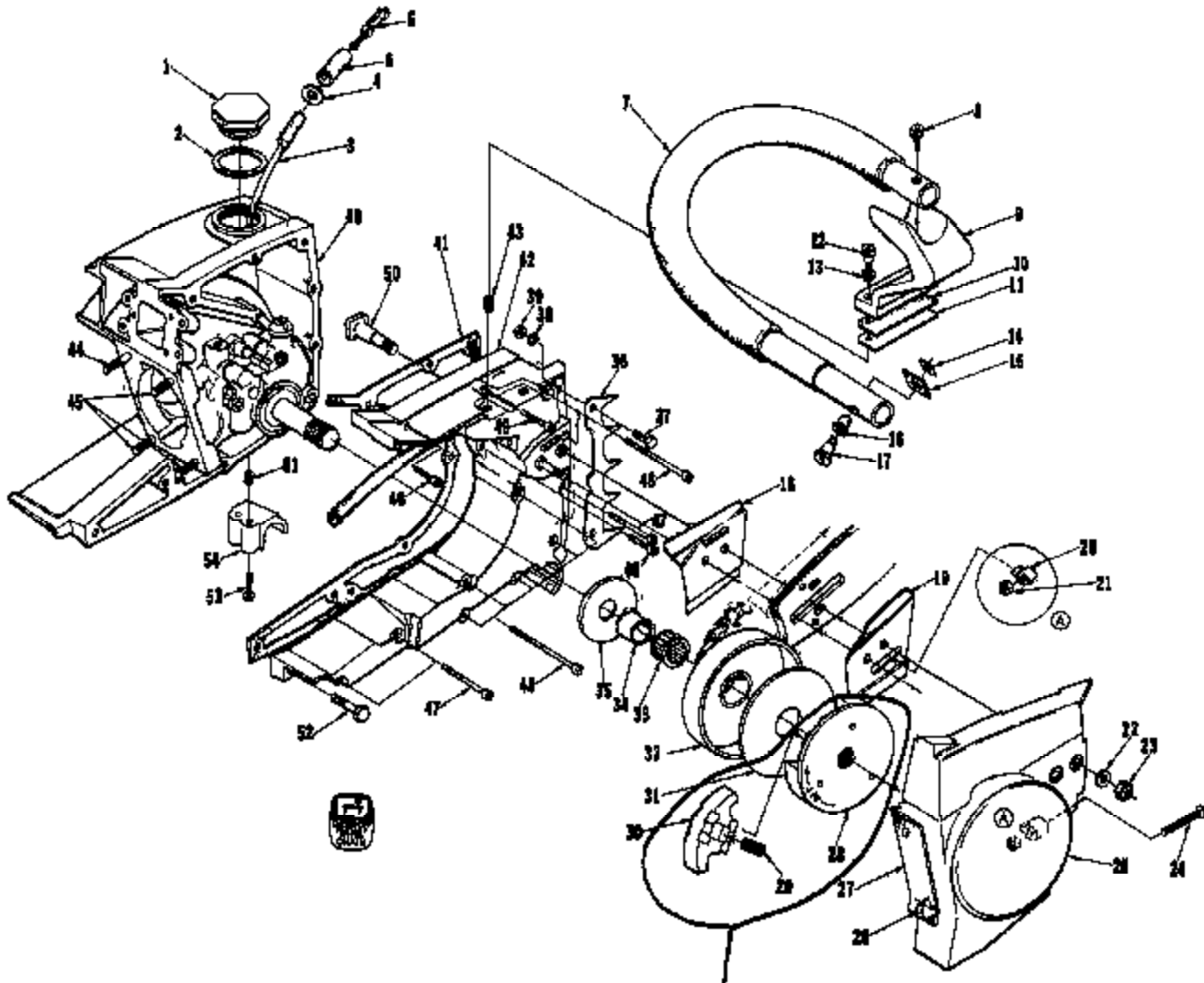


FIGURE 4

Complete Clutch using  
 Steel Shoes A69459  
 Plate 65760-2  
 Shoe 69458  
 Spring 63977

# XL-123

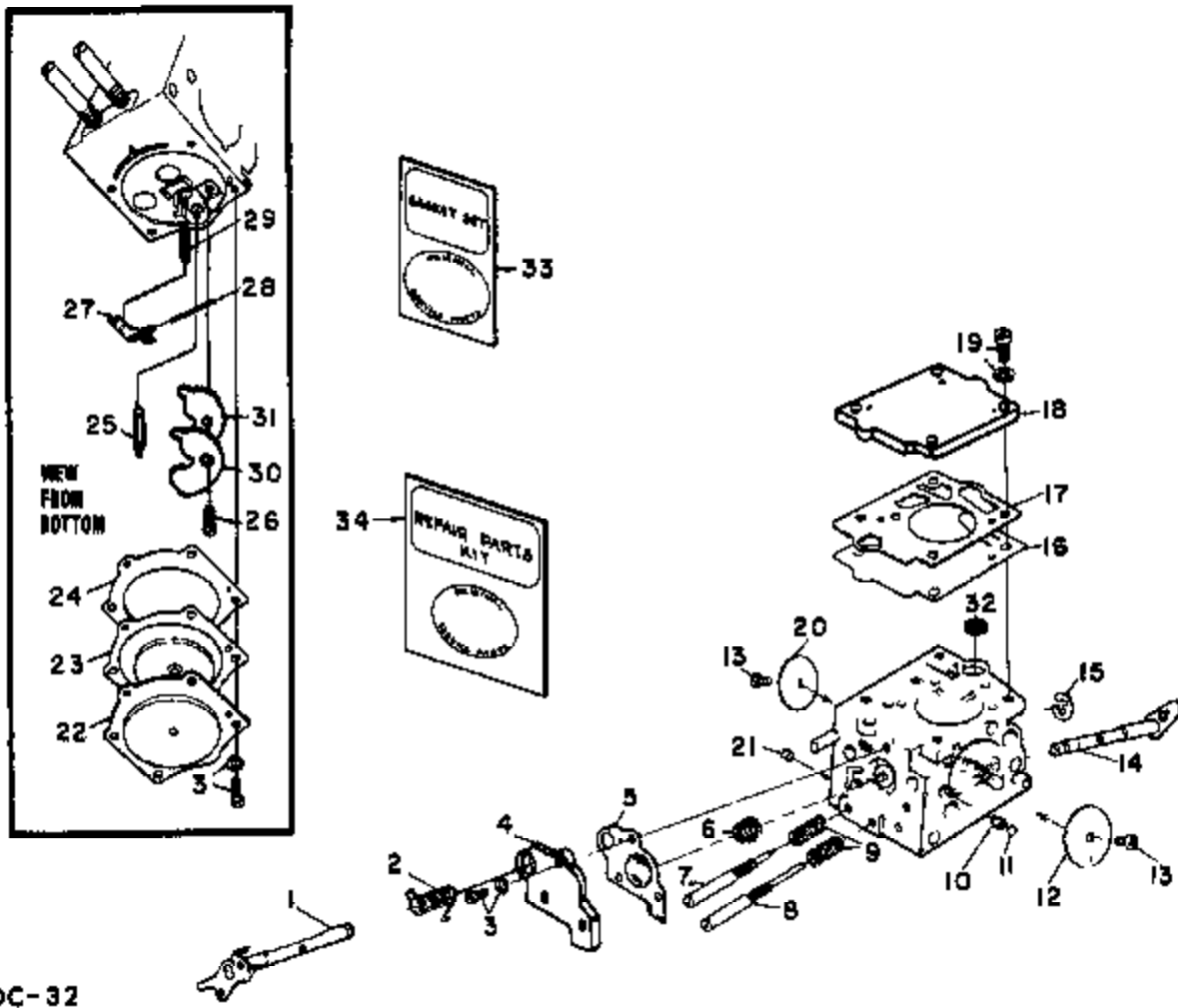
No.	Description	Part No.	Qty.	No.	Description	Part No.	Qty.
1	CAP-fuel filler	A-68283-A	1	*33	SPROCKET & DRUM-3/8 pitch, 7 tooth	A-68468	1
2	Includes: GASKET	68957	1		SPROCKET & DRUM-See Note 1 (optional)	A-64908	1
3	LENE-fuel	83544	1		DRUM & HUB-optional (splined)	A-65988	1
4	WASHER	64182	1		SPROCKET-3/8 pitch, 7 tooth (splined)		
5	FILTER-fuel	A-83820	1		optional	OM68210	1
6	Includes: FILTER-felt	64083-1	1	38	BEARING-omega	64124	1
* 7	HANDLE BAR-flush cut	A-68215-1	1	34	RACE-inner	65986	1
8	SCREW-sec., 10-32 x 1	83198	1	35	WASHER-thrust (inner)	68833-1	1
* 8	BRACKET-handle bar	A-68341	1	36	BUMPER-spiked	A-64782	1
10	PAD-bracket	64610	1	37	Includes: SCREW-hex, 12-24 x 3/8	80678	2
11	PLATE-handle bar bracket	66688	1	38	WASHER-lock, #12	83068	2
*12	SCREW-shoulder	68338	2	39	NUT-hex, 12-24	81088	2
13	GEOMET-handle bar bracket	64474	2	*40	CRANKCASE & TANK	A-66499	1
14	PLATE-handle bar	66670	1		Includes: PIN-dowel (not shown)	71430	2
*15	PAD-handle bar	68394	1		PIN-dowel (not shown)	65285	2
16	GEOMET-handle bar	65122	1		BEAL-(see fig. 2, Index #28)	68808-A	1
*17	SCREW-shoulder	68999	2	41	GASKET-fuel tank	68364-A	1
18	PLATE-guide bar (inner)	67800	1	42	COVER-fuel tank	A-68040	1
19	PLATE-guide bar (outer)	67299	1		Includes: (not shown)		
20	PIN-bar adjusting	66788-1	1		GASKET-check valve	68336	1
21	NUT- lock, 10-32	81211	1		OAP-check valve	68339	1
22	WASHER-flat, 5/16	64082	2	43	INSERT-taplock	72489	3
23	NUT-hex, 5/16-18	81198	2	44	STUD-cylinder (long)	69868	1
24	SCREW-guide bar adjusting	66944	1	45	STUD-cylinder (short)	55971	3
25	COVER-drivescase	A-64620-1	1	46	SCREW-flt, 8-32 x 15/16	82181	2
26	Includes: RIVET-oval band	85081	2	47	SCREW-flt, 8-32 x 1-7/8	82184	3
27	SHIELD-sawcut	64618	1	48	SCREW-flt, 8-32 x 2-2/16	82185	7
28	PLATE-clutch	64904-1	1	49	SCREW-flt, 8-32 x 1-1/4	82182	1
29	SPRING-clutch	65842	3	50	BOLT-guide bar	67199	2
30	SHOE-clutch	64869-3	3	51	INSERT-taplock	72489	2
31	COVER-clutch	63871	1	52	SCREW-hex, 12-24 x 7/8	80891	1
				53	SCREW-pen, 10-32 x 5/8	80572	2
				54	STOP-handle bar	67808-2	1

\* Denotes new parts

Note 1 -- Sprocket & Drum A-64908 requires the use of one (1) 68800 Thrust Washer, one (1) 63990 Inner Race and one (1) 64883 Needle Bearing for proper assembly.



# XL-123



SDC-32

A-68492

No.	Description	Part No.	Qty.	No.	Description	Part No.	Qty.
1	THROTTLE SHAFT ASSEMBLY	64226	1	19	SCREW-fuel pump cover	64894	4
2	SPRING-throttle return	†67006	1	20	VALVE-throttle	67700	1
3	SCREW ASSEMBLY	64689	7	21	PLUG-limiting	64892	1
4	COVER-accelerator pump	67187	1	22	COVER-metering diaphragm	64224	1
6	DIAPHRAGM-accelerator pump	†67188	1	23	METERING DIAPHRAGM ASSEMBLY	†64235	1
8	SPRING-accelerator pump	†64240	1	24	GASKET-metering diaphragm	†64231	1
7	NEEDLE-idle	†64241	1	25	VALVE-mist needle	†64229	1
8	NEEDLE-high speed	†64242	1	26	SCREW-metering lever pins	†64898	1
9	SPRING-needle adjusting	†64238	2	27	LEVER-metering	†64245	1
10	SPRING-choke friction	†64236	1	28	PIN-metering lever	†64244	1
11	BALL-choke friction	†60061	1	29	SPRING-metering lever	†64897	1
12	VALVE-choke	64228	1	*30	PLATE-circuit	†68780	1
13	SCREW-valve	†64893	2	*31	GASKET-circuit	†88781	1
14	CHOKE SHAFT ASSEMBLY	67109	1	32	SCREEN-fuel mist	†64243	1
15	RDNG-throttle shaft retaining	64221	1	33	GASKET SET	†67019	1
16	DIAPHRAGM-fuel pump	†64233	1	34	REPAIR KIT	67187	1
17	GASKET-fuel pump	†67008	1		REPAIR KIT-check valve	65366	1
18	COVER-fuel pump	67002	1				

\* Denotes new parts

† Contained in gasket assortment

‡ Contained in repair kit index no. 24

# XL-123

## Tools

A-23937-B	WRENCH-combination
22820-5	COLLAR-bearing installation (bearing to shaft)
22828	PLIERS-retaining ring
23136-1	SLEEVE-bearing & shaft installation
23528	WRENCH-socket screw (connecting rod)
23756	PLUG-needle bearing (connecting rod)
23759	SLEEVE-seal protection (back plate)
23846-2	ANVIL-roller bearing disassembly
A-23934	SPANNER-clutch
A-23949	TOOL-piston pin removal
A-23960	BRACKET-rotor removal
23972	SLEEVE-seal installation
24006-2	PLATE-shaft alignment
A-24051	JACKSCREW-(bearing to shaft to crankcase)
24054	PLUG-seal assembly (crankcase)
24055	PLUG-bearing & seal assembly (back plate)
A-24057	BEARING REMOVER-(back plate)
24076	SLEEVE-seal protecting (crankcase side)
A-24138	REAMER-compression release
24230	DRIVER-hand, pozidriv
24173	DRIVER-check valve installation
24304	BIT-pozidriv #2
23987	SHIM-plastic (magneto air gap)

## Accessories

A-68074	SPARK ARRESTER-(reed muffler)
65543-1	HEAT EXCHANGER
A-24267-A	KIT-starter rope
A-24450	KIT-guide bar plate
A-24273	KIT-ignition

## PAINT

22772	SPRAY CAN-black
23475	SPRAY CAN-red



# XL-123 PARTS LIST

Part No.	Description	Qty.	Part No.	Description	Qty.	Part No.	Description	Qty.	Part No.	Description	Qty.
22772	Spray Can-black	1	83888-B	Bearing-ball	1	64888	Screw	1	67584	Boot	1
22820-5	Collar	1	63868	Stud-cylinder	1	64889	Screw Assembly	7	67700	Valve-Throttle	1
22828	Miter	1	63869	Rope-starter	1	64892	Plug-lunneting	1	A-67888-C	Muffler-lead	1
23138-1	Sleeve	1	63870	Spring-rewind	1	64893	Screw-valve	2	A-68040	Cover-fuel tank	1
23475	Spray Can-red	1	63875	Ring	1	64894	Screw	4	*A-68058	Bracket	1
23528	Wrench	1	63877	Stud-shoulder	2	A-64732	Bumper-spiked	1	A-68061-A	Plunger	1
23760	Plug	1	63898-1A	Rod-throttle	1	A-64741	Filter-oil	1	A-68074	Spark Arrestor	1
23758	Sleeve	1	63905	Washer	2	64813	Ring	1	68103-1	Stud-muffler	3
33846-2	Anvil	1	63910	Plate-"On-Off"	1	64862	Grommet	2	A-68120	Cover-oil tank	1
A-23824	Spanner-clutch	1	A-63919	Line-oil	1	64804-1	Plate-clutch	1	*A-68142	Plate-back	1
A-23837-B	Wrench	1	A-63920	Filter-fuel	1	A-64908	Sprocket & Drum	1	OM88210	Sprocket	1
A-23848	Tool	1	A-63928	Cover	1	64848	Lock-spring	1	*A-68218-1	Handle Bar	1
A-23980	Bracket	1	A-63938	Fitting	1	65022	Nut-plunger	1	*68228	Screw-shoulder	2
23972	Sleeve	1	A-63938	Switch	1	65122	Grommet	1	*68338	Screw-shoulder	1
23957	Ship-plastic	1	A-63938	Lead	1	65133	"O" Ring	1	*A-68341	Bracket	1
24004-2	Plate	1	A-63947	Line-oil	1	A-65263-A	Cap-fuel filler	1	*68384	Pad-handle bar	1
A-24051	Jackscrew	1	A-63952-B	Pulley & Cup	1	A-65284-A	Cap-oil (vented)	1	*A-68428	Piston & Pin	1
24054	Plug	1	A-63955-A	Filter Element	1	65321	Screw	5	*A-68438	Crankcase & Tank	1
24055	Plug	1	64081	Screw	2	65884-A	Gasket-fuel tank	1	*A-68465	Sprocket & Drum	1
A-24057	Bearing Remover	1	64088-1	Filter-felt	1	65885	Pin-dowel	2	*68466	Grip	1
24078	Sleeve	1	64085	Screw-cover	2	65886	Repair Kit	1	*68467	Grip	1
A-24138	Reamer	1	64086	Condenser	1	65491	Screen	1	*A-68468	Handle-throttle	1
24173	Driver	1	A-64087	Point	1	65522	Screw	1	*A-68492	Carburetor	1
24230	Driver	1	64088	Block	1	65543-1	Heat Exchanger	1	*A-68495	Roller-needle	1
A-24287-A	Kit-starter rope	1	64089	Retainer-felt	1	65582	Plate	1	*A-68498	Rod-connecting	1
A-24272	Kit-ignition	1	64090	Screw-terminal	2	65582	Pin	1	*68720	Crankshaft	1
24204	Bit-positiv #2	1	64091	Coil-ignition	1	65670	Plate-handle bar	1	*68780	Plate-circuit	1
A-24430	Kit-guide bar plate	1	64102-A	Screw-cam	1	65695	Fitting-straight	1	*68781	Gasket-circuit	1
25038	Gasket	1	64124	Bearing-cage	1	65768-1	Pin-bar	1	71430	Pin-dowel	2
28008	Clip-post	1	64144	Discal	1	*A-65785-1	Cylinder	1	72094-A	Nut	1
28028	Washer-post	1	64164-A	Insert	1	65828	Gasket-cylinder	1	72489	Insert-taplock	5
31734	Connector-elbow	1	64185-A	Grip-rope	1	65842	Spring-clutch	3	75078	Key-woodruff	1
A-33056	Terminal	1	64188	Washer	1	65888	Rivet-accordion	4	75120	Ring-retaining	1
54422	Cone-coil	1	64221	Ring	1	65844	Screw	1	75421	Screw-clamp	2
54423	Clip-coil	1	64224	Cover	1	A-65848	Valve-check	1	FASTENING PARTS		
55411	Screw-clamp	2	64226	Shaft	1	65849-2	Clamp-oil	1	80541	8-32 x 1/2	2
55871	Stud-cylinder	3	64228	Valve-choke	1	65935	Race-inner	1	80560	8-32 x 1/2	2
56308-A	Seal	1	64228	Valve-needle	1	A-65938	Drum & Hub	1	80568	8-32 x 7/8	3
58218-A	Ring-retaining	2	64231	Gasket	1	67000-1	Rod-choke	1	80571	8-32 x 3/8	4
58338	Gasket-valve	1	64233	Diaphragm	1	67002	Cover	1	80572	10-32 x 5/8	2
58338	Cap-valve	1	64235	Diaphragm	1	67008	Spring	1	80576	6-32 x 1/4	2
58406	"O" Ring	1	64236	Spring-needle	3	67008	Gasket	1	80648	10-32 x 1/2	1
58636-A	Seal	1	64237	Spring	1	67010	Gasket Set	1	80676	12-24 x 5/8	6
68758-2	Spring	2	64238	Spring	1	A-67023	Pump	1	80821	12-24 x 1/2	4
*68788	"O" Ring	1	64240	Spring	1	A-67079	Line-oil	1	60891	12-24 x 7/8	1
68833-1	Washer-thrust	1	64241	Needle-idle	1	67108	Choke Shaft	1	60919	4-40 x 1/4	2
68851	Washer-flat	2	64242	Needle	1	67177	Bushing	1	60989	8-32 x 1/2	4
68858	Grommet	1	64243	Screen	1	67184	Washer	1	81085-2	Nut-1/4-28	4
68877	Gasket	1	64244	Pin	1	67187	Coil	1	81069	Nut-12-24	2
68868	Lead	1	64246	Lever	1	67188	Diaphragm	1	81108-2	Nut-10-32	3
69074	"O" Ring	2	64252-A	Seat	1	67191	Spud-drive	4	81112	Nut-5/16-24	1
69436	Piston Ring	2	64252-A	Retainer	1	A-67192-A	Housing-fan	1	81128	Nut-8-32	4
69571	Flug-pipe	1	64288	Gasket	1	67183	Bolt-guide bar	2	81196	Nut-5/16-18	2
69675-B	Reed-valve	4	64297	Gasket	1	67187	Repair Kit	1	81211	Nut-10-32	1
69704	Screw	2	A-64298	Filter-oil	1	67222	Ring-air flow	1	82126	10-32 x 1	1
69736	Gasket	1	64301	Retainer-lead	1	67265	Gasket-oil tank	1	82151	8-32 x 15/16	2
80051	Ball-choke	1	64386	Lune	1	67289	Plate-(outer)	1	82152	8-32 x 1-1/4	1
82113	Screw-rod	1	64374	Bushing	1	67300	Plate-(inner)	1	82153	8-32 x 1-5/8	3
88183-4	Cover-air filter	1	64382	Seal-felt	1	67386	Button	1	82164	8-32 x 1-7/8	3
88212-A	Trigger-throttle	1	64442	Pawl-starter	2	67394	Reed-muffler	1	82165	8-32 x 2-3/16	7
88228	Worm-oil pump	1	64474	Grommet	3	67395	Bearing-roller	1	82166	8-32 x 3/4	3
88290	Washer-felt	1	64569-3	Shoe-clutch	3	67408	Bearing-needle	1	82173	8-32 x 1	1
88544	Lune-fuel	1	64610	Pad-bracket	1	67413-1A	Stop-lead	1	82174	8-32 x 1-1/4	2
88547-6	Spark Plug	1	64618	Shield	1	A-67445-1A	Body-muffler	1	82179	10-32 x 1-7/8	2
*88593-5	Cover	1	A-64620-1	Cover	1	67450	Baffle-muffler	1	83009	Washer-1/4	4
88606	Washer-retaining	1	64646	Bushing	1	A-67482	Pin	1	83046	Washer-#10	2
88637	Rotor	1	64653	Spring	1	A-67502-A	Mainfold-intake	1	83058	Washer-#12	2
88671	Cover-clutch	1	64664-B	Lever	1	A-67527-1B	Cap-muffler	1	84018	Washer-#8	2
88713	Shield-spring	1	64655-2	Clamp-lever	1	67506-2	Stop-handle bar	1	84032	Washer-5/16	2
88714	Shield-spring	1	A-64656-2	Pivot Pin	1	A-67627	Nut	1	84065-1	Washer-5/16	1
88718	Valve-vent	1	64677	Spring	1	67631	Gasket	1	85081	Rivet-oval head	2
									86301	Pin-cotter	1
									86324	Pin-cotter	1

\* Denotes new parts



AN  
ORISON

PORT CHESTER, N.Y. U.S.A.

