

XL101

XL102

XL103

XL104

HOMELITE XL CHAIN SAWS

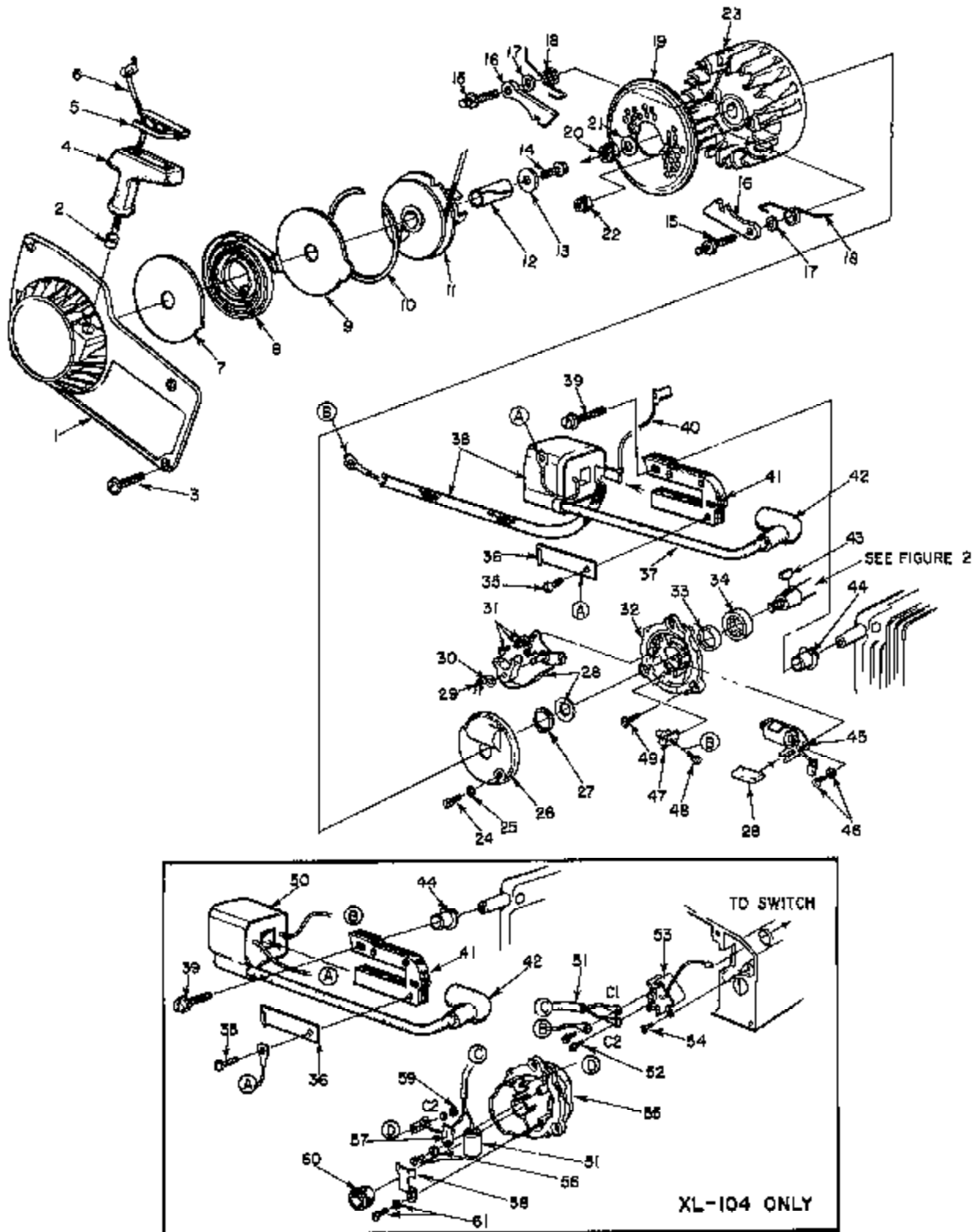


FIGURE 1

HOMELITE XL CHAIN SAWS

*Requires 64948 lock
w. th - A pulley*

| No. | Description | Part No. | XL-101 | XL-102 | XL-103 | XL-104 | Qty |
|----------|--|---------------|--------|--------|--------|--------|-----|
| 1 | HOUSING - fan | A-64191-1 | * | * | * | * | 1 |
| 2 | Includes: BUSHING - starter rope | 59313 | * | * | * | * | 1 |
| 3 | SCREW - pan hd., #8-32 x 1/2" | 60660 | * | * | * | * | 4 |
| 4 | GRIP - starting rope | 64155 | * | * | * | * | 1 |
| 5 | INSERT - rope retaining | 64154 | * | * | * | * | 1 |
| 6 | ROPE - starter | 63869 | * | * | * | * | 1 |
| 7 | SHIELD - spring (inner) | 63713 | * | * | * | * | 1 |
| 8 | SPRING - rewind | 63870 | * | * | * | * | 1 |
| 9 | SHIELD - spring (outer) | 63714 | * | * | * | * | 1 |
| 10 | RING - shield retaining | 63875 | * | * | * | * | 1 |
| 11 | PULLEY & CUP ASSEMBLY - starter | A-63952 A | * | * | * | * | 1 |
| 12 | BUSHING - starter post | 64374 | * | * | * | * | 1 |
| 13 | WASHER - retaining | 63606 | * | * | * | * | 1 |
| 14 | SCREW - hex hd., #10-32 x 1/2" | 60848 | * | * | * | * | 1 |
| 15 | STUD - shoulder | 63877 | * | * | * | * | 2 |
| 16 | PAWL - starter | 64442 | * | * | * | * | 2 |
| 17 | WASHER - flat | 58851 | * | * | * | * | 2 |
| 18 | SPRING - starter pawl | 58766-2 | * | * | * | * | 2 |
| 19 | SCREEN - rotor | 63219 | * | * | * | * | 1 |
| 20 | NUT - lock, 5/16-24 | 31112 | * | * | * | * | 1 |
| 21 | WASHER - flat, 5/16 | 84085-1 | * | * | * | * | 1 |
| 22 | NUT - "Flexloc", #10-32 | 31109-2 | * | * | * | * | 2 |
| 23 | ROTOR - magneto | 63837 | * | * | * | * | 1 |
| 24 | SCREW - cover | 64085 | * | * | * | * | 2 |
| 25 | WASHER - flat, #6 | 84018 | * | * | * | * | 2 |
| 26 | COVER ASSEMBLY - breaker box | A-63928 | * | * | * | * | 1 |
| 27 | FELT RETAINER | 64089 | * | * | * | * | 1 |
| 28 | POINTS - set w/felt | A-64087 | * | * | * | * | 1 |
| 29 | Includes CLIP - post | 28008 | * | * | * | * | 1 |
| 30 | WASHER - post | 28028 | * | * | * | * | 1 |
| 31 | SCREW - breaker clamp | 76421 | * | * | * | * | 2 |
| 32 | BACK PLATE | 63624-1 A | * | * | * | * | 1 |
| 33 | SEAL | 66688-A | * | * | * | * | 1 |
| 34 | BEARING - roller | 63867 | * | * | * | * | 1 |
| 35 | SCREW - coil retaining clip | 58872 | * | * | * | * | 1 |
| 36 | CLIP - coil retaining | 54423 | * | * | * | * | 1 |
| 37 | LEAD - high tension | 58968 | * | * | * | * | 1 |
| 38 | COIL - ignition | 64091 | * | * | * | * | 1 |
| 39 | SCREW - coil core | 64021 | * | * | * | * | 2 |
| 40 | LEAD - ground to switch | A-83939 | * | * | * | * | 1 |
| 41 | CORE - coil | 54422 | * | * | * | * | 1 |
| 42 | TERMINAL - spark plug | A-33056 | * | * | * | * | 1 |
| 43 | KEY | 75078 | * | * | * | * | 1 |
| 44 | RETAINER - lead | 64201 | * | * | * | * | 1 |
| 45 | CONDENSER & CLAMP | 64086 | * | * | * | * | 1 |
| 46 | SCREW - condenser clamp | 72486 | * | * | * | * | 2 |
| 47 | BLOCK - terminal | 84088 | * | * | * | * | 1 |
| 48 | SCREW - terminal | 64090 | * | * | * | * | 1 |
| * 49 | SCREW - flat hd. phillips, A2 size - #12-24 x 5/8" | 65501 / 62145 | * | * | * | * | 3 |
| 50 | COIL - ignition | 64435 | * | * | * | * | 1 |
| x x x 51 | CONDENSER & LEAD | 64427 | * | * | * | * | 1 |
| x x x 52 | SCREW GROUP | 64734 | * | * | * | * | 1 |
| x x x 53 | SWITCH BOX | A-64440 | * | * | * | * | 1 |
| 54 | SCREW - flat hd. #6-32 x 3/8" | 60451 | * | * | * | * | 1 |
| x x x 55 | BACK PLATE & CORE | A-64426 | * | * | * | * | 1 |
| 56 | SCREW - lead hold down plate | 64432 | * | * | * | * | 1 |
| 57 | PLATE - lead hold down | 64431 | * | * | * | * | 1 |
| 58 | CLAMP - condenser | 63627 | * | * | * | * | 1 |
| 59 | LOCKWASHER - coil lead clamp nut | 64430 | * | * | * | * | 1 |
| 60 | CAP - dust | 64423 | * | * | * | * | 1 |
| 61 | SCREW - condenser clamp | 55411 | * | * | * | * | 1 |

65909 Red Switch

65908 Red Switch

65913 Red Switch

65912 Red Switch

65911 Red

65908 Red Switch

* See Memo 689CS
 ** See Memo 692CS
 *** Memo 702CS

HOMELITE XL CHAIN SAWS

Ⓟ See Models 735CS

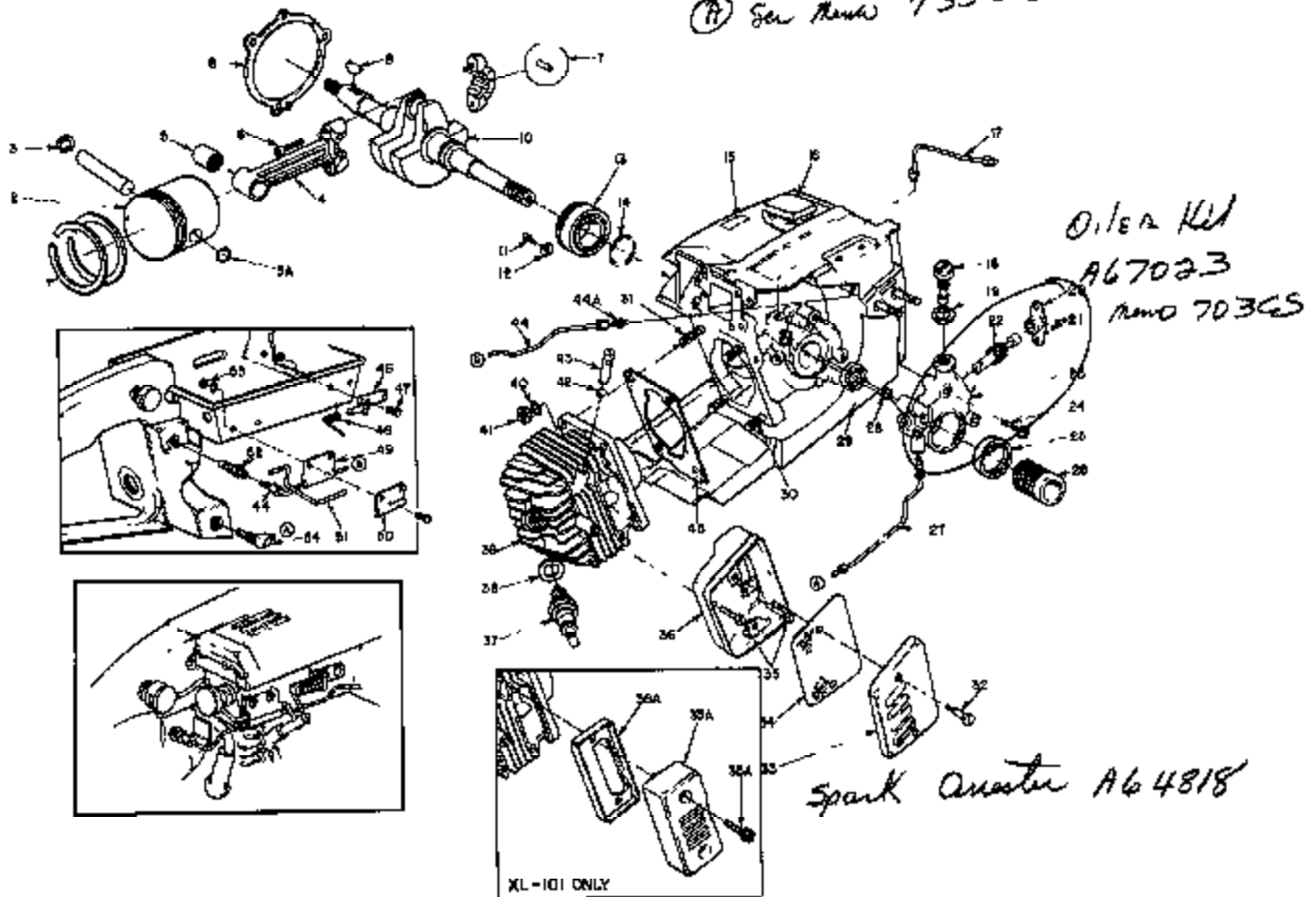


FIGURE 2

| No. | Description | Part No. | XL-101 | XL-102 | XL-103 | XL-104 | Qty. | No. | Description | Part No. | XL-101 | XL-102 | XL-103 | XL-104 | Qty. |
|-----|-------------------------------|-----------|--------|--------|--------|--------|------|-----|----------------------------------|-----------|--------|--------|--------|--------|------|
| 1 | PISTON RING | 59436 | * | * | * | * | 2 | 30 | STUD - cylinder (short) | 55871 | * | * | * | * | 3 |
| | PISTON RING | 55877 | * | * | * | * | 2 | 31 | STUD - cylinder (long) | 83888 | * | * | * | * | 1 |
| 2 | PISTON & PIN | A-59488-B | * | * | * | * | 1 | 32 | SCREW - shoulder | 84133-A | * | * | * | * | 2 |
| | PISTON & PIN | A-59903-B | * | * | * | * | 1 | 33 | CAP - muffer | 64125 | * | * | * | * | 1 |
| 3 | Include RING - retaining | 75120 | * | * | * | * | 1 | 33A | BODY - muffer | 64131-T | * | * | * | * | 1 |
| 2A | Include RING - retaining | 64913 | * | * | * | * | 1 | 34 | BAFFLE - muffer | 84128 | * | * | * | * | 1 |
| 4 | ROD - connecting | A-83780 | * | * | * | * | 1 | 35 | SCREW - hex hd., #12-24 x 1/2" | 80821 | * | * | * | * | 3 |
| 6 | Includes BEARING - needle | 58724 | * | * | * | * | 1 | 35A | SCREW - hex hd., #12-24 x 1 1/4" | 80864 | * | * | * | * | 2 |
| 6 | SCREW | 80886 | * | * | * | * | 2 | 36 | BODY - muffer | A-64130 | * | * | * | * | 1 |
| 7 | ROLLER - needle (set of 31) | A-83797-A | * | * | * | * | 1 | 36A | BASE - muffer | 64132 | * | * | * | * | 1 |
| 8 | GASKET - crankcase | 83361 | * | * | * | * | 1 | 37 | SPARK PLUG | 63647-S | * | * | * | * | 1 |
| 9 | KEY | 75078 | * | * | * | * | 1 | 38 | Includes GASKET | 26038 | * | * | * | * | 1 |
| 10 | CRANKSHAFT | 63204-1 | * | * | * | * | 1 | 38B | CYLINDER | A-64842-1 | * | * | * | * | 1 |
| | CRANKSHAFT | 63204-2 | * | * | * | * | 1 | 39 | CYLINDER | 83185-1 | * | * | * | * | 1 |
| 11 | SCREW - bearing retainer | 59704 | * | * | * | * | 2 | 40 | WASHER - lock, 1/4" | 83008 | * | * | * | * | 4 |
| 12 | WASHER - special | 83805 | * | * | * | * | 2 | 41 | NUT - hex, 1/4 - 28 | 81065-2 | * | * | * | * | 4 |
| 13 | BEARING - ball | 53855-6 | * | * | * | * | 1 | 42 | BALL - compression relief | 84728 | * | * | * | * | 1 |
| 14 | RING - retaining | 58315-A | * | * | * | * | 1 | 43 | PIN - compression relief | 84650-B | * | * | * | * | 1 |
| 15 | DECAL | 84144 | * | * | * | * | 1 | 44 | LINE - oil (manual) | | | | | | |
| 18 | CAP - fuel filter | A-84375 | * | * | * | * | 1 | | (See Note #2, page 7) | | | | | | |
| 17 | LINE - oil (auto-upper) | A-83819 | * | * | * | * | 1 | 44A | FITTING TUBE - straight | A-83948-A | * | * | * | * | 1 |
| 18 | SCREW - cam | 84102-A | * | * | * | * | 1 | | | 31732-1 | * | * | * | * | 1 |
| 19 | GASKET | 89798 | * | * | * | * | 1 | 45 | GASKET - cylinder | 63237 | * | * | * | * | 1 |
| 20 | BEARING - flange | 59718 | * | * | * | * | 1 | 46 | PIVOT PIN & BRACKET ASSY. | A-64854-2 | * | * | * | * | 1 |
| 21 | SCREW - pan hd., #4-40 x 1/4" | 80819 | * | * | * | * | 2 | 47 | SCREW - pan hd., #6-32 x 3/8" | 80571 | * | * | * | * | 4 |
| 22 | PLUNGER WHELCICAL GEAR | 63228 | * | * | * | * | 1 | 48 | SPRING - relief valve | 84653 | * | * | * | * | 1 |
| 23 | HOUSING - oil pump | A-83646 | * | * | * | * | 1 | 48 | CLAMP - oil temp | 84847-2 | * | * | * | * | 1 |
| 24 | SCREW - pan hd., #8-32 x 7/8" | 80588 | * | * | * | * | 3 | 50 | CLAMP - lever | 84655-2 | * | * | * | * | 1 |
| 25 | SEAL - felt | 84593 | * | * | * | * | 1 | 51 | LEVER - relief valve | | | | | | |
| 26 | WORM - oil pump | 83228 | * | * | * | * | 1 | | (See Note #1, page 7) | | | | | | |
| 27 | LINE - oil (auto-lower) | A-83647 | * | * | * | * | 1 | 52 | VALVE - check | 84654-A | * | * | * | * | 1 |
| 28 | "O" RING | 80872 | * | * | * | * | 1 | 53 | NUT - "flexloc", #8-32 | A-59488-1 | * | * | * | * | 1 |
| 28 | SEAL | 89308-A | * | * | * | * | 1 | 54 | FILTER - oil | 81126 | * | * | * | * | 4 |
| | | | | | | | | | | A-84741 | * | * | * | * | 1 |

HOMELITE XL CHAIN SAWS

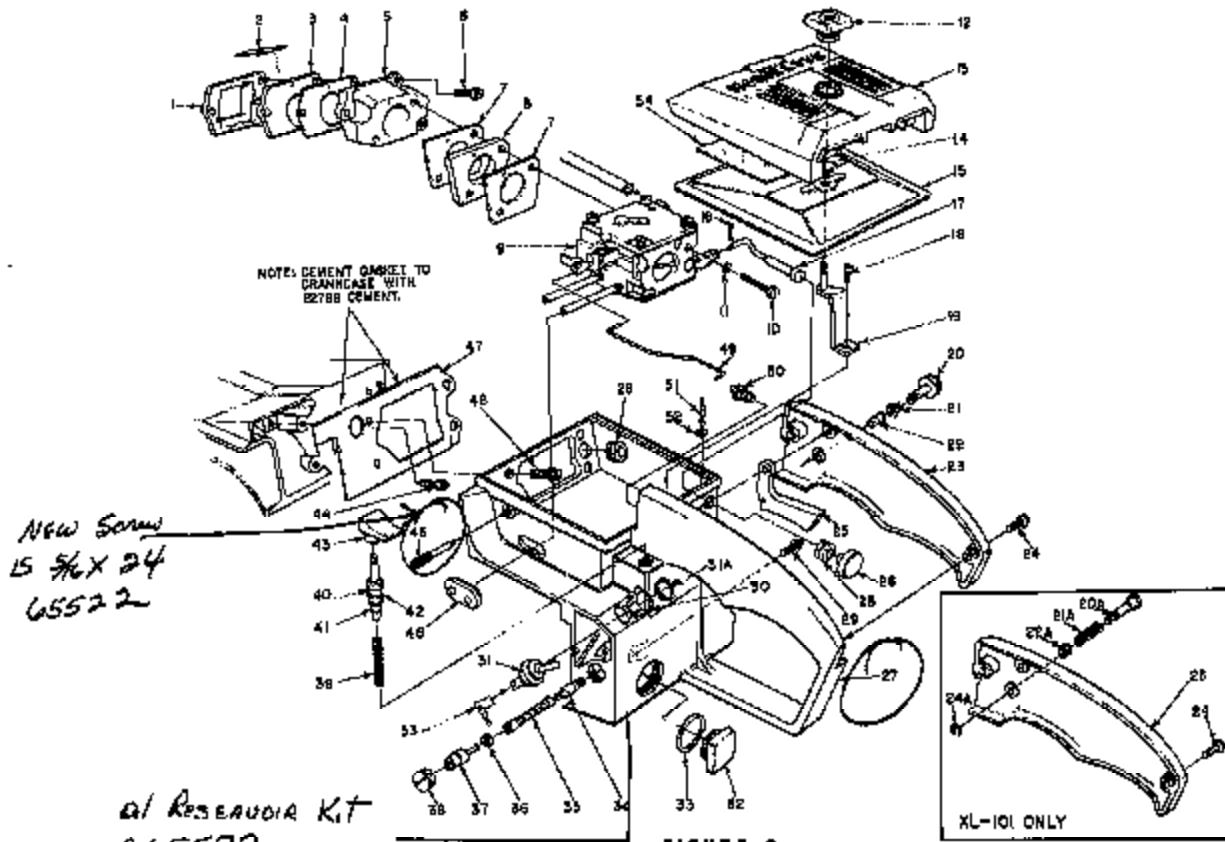


FIGURE 3

Oil Reservoir Kit
A65572
Ser. Num. 671CS

| No. | Description | Part No. | XL-101 | | | | Qty. | No. | Description | Part No. | XL-101 | | | | Qty. |
|-----|--|-----------|--------|--------|--------|--------|------|--|-------------|----------|--------|--------|--------|--------|------|
| | | | XL-101 | XL-102 | XL-103 | XL-104 | | | | | XL-101 | XL-102 | XL-103 | XL-104 | |
| 1 | RETAINER - reed valve | 84253 | * | * | * | * | 1 | HANDLE - throttle (See Note # 3, page 7) | A-84976 | * | * | * | * | 1 | |
| 2 | REED - valve | 88678-A | * | * | * | * | 4 | Includes: PLUG - pipe, 1/16-28 (not shown) | 88671 | * | * | * | * | 1 | |
| 3 | BEAT - reed valve | 84262 | * | * | * | * | 1 | HANDLE - throttle (See Note # 3, page 7) | A-84875 | * | * | * | * | 1 | |
| 4 | GASKET - reed valve seat | 84266 | * | * | * | * | 1 | Includes: GROMMET (See Note # 3, page 7) | 84862 | * | * | * | * | 2 | |
| 5 | MANIFOLD - intake | 84286-1A | * | * | * | * | 1 | SCREW - hex hd., #12-24 x 7/8" | 80891 | * | * | * | * | 1 | |
| 6 | SCREW - shoulder | 84349 | * | * | * | * | 3 | PLATE - on-off | 83810 | * | * | * | * | 1 | |
| 7 | GASKET - carburetor | 84119-1 | * | * | * | * | 2 | SWITCH | A-63938 | * | * | * | * | 1 | |
| 8 | SPACER - carburetor | 84117-1 | * | * | * | * | 1 | Includes: NUT 72084-A1 | A-84286 | * | * | * | * | 1 | |
| 9 | CARBURETOR (WALBRO BDC-1) (See Note below) | A-84198 | * | * | * | * | 1 | CAP - oil vented | 86323 | * | * | * | * | 1 | |
| 10 | SCREW - hex hd., #10-32 x 2" | 83866 | * | * | * | * | 2 | Includes: "O" RING | 86323 | * | * | * | * | 1 | |
| 11 | WASHER - lock, #10 | 83046 | * | * | * | * | 2 | FILTER - oil (manual) | A-84283 | * | * | * | * | 1 | |
| 12 | NUT - cover mounting | A-84288 | * | * | * | * | 1 | LINE - flexible oil | 84356 | * | * | * | * | 1 | |
| 13 | COVER - air filter | 88183-2 | * | * | * | * | 1 | GASKET | 88738 | * | * | * | * | 1 | |
| 14 | RING - retaining | 88518-A | * | * | * | * | 1 | FITTING - check valve | A-83836 | * | * | * | * | 1 | |
| 15 | FILTER ELEMENT - air | A-88666-A | * | * | * | * | 1 | SCREW - set | 83113 | * | * | * | * | 1 | |
| 16 | PIN - cotter | 86324 | * | * | * | * | 1 | SPRING - plunger | 88293 | * | * | * | * | 1 | |
| 17 | ROD - choke (See Note # 3, page 7) | A-83842-1 | * | * | * | * | 1 | PLUNGER | A-87834-15 | * | * | * | * | 1 | |
| 18 | SCREW - hex hd., #12-24 x 1/2" | 80821 | * | * | * | * | 1 | Includes: "O" RING | 88074 | * | * | * | * | 1 | |
| 19 | BRACKET - air filter cover | A-83876 | * | * | * | * | 1 | "O" RING | 83822 | * | * | * | * | 1 | |
| 20 | PIN - throttle lock | A-84391 | * | * | * | * | 1 | VENT - fuel tank | A-84311 | * | * | * | * | 1 | |
| 20A | PIN - throttle lock | 88924-1 | * | * | * | * | 1 | SCREW - idle adjustment | 83728 | * | * | * | * | 1 | |
| 21 | SPRING - throttle lock | 84877 | * | * | * | * | 1 | GROMMET "HI-LO" | 88958 | * | * | * | * | 1 | |
| 21A | SPRING - throttle lock | 88406 | * | * | * | * | 1 | GASKET - throttle handle | 84287 | * | * | * | * | 1 | |
| 22 | BUSHING - throttle lock | 84848 | * | * | * | * | 1 | SCREW - hex hd., #12-24 x 5/8" | 80875 | * | * | * | * | 4 | |
| 22A | BUSHING - throttle lock | 88084 | * | * | * | * | 1 | ROD - throttle | 82886-1 | * | * | * | * | 1 | |
| 23 | COVER - throttle handle | 83181-2 | * | * | * | * | 1 | BOOT - throttle rod | 88348 | * | * | * | * | 1 | |
| 24 | SCREW - pan hd., #8-32 x 1/2" | 80880 | * | * | * | * | 2 | PIN - cotter | 88301 | * | * | * | * | 1 | |
| 24A | RING - retaining | 88409 | * | * | * | * | 1 | WASHER - felt | 83280 | * | * | * | * | 1 | |
| 25 | TRIGGER - throttle | 83212-A | * | * | * | * | 1 | LEAD - ground | A-83838 | * | * | * | * | 1 | |
| 26 | BUTTON - choke | 87288-1 | * | * | * | * | 1 | PLATE - instruction | 84173 | * | * | * | * | 1 | |
| 27 | HANDLE - throttle (See Note # 3, page 7) | A-84976 | * | * | * | * | 1 | PLATE - instruction | 84174 | * | * | * | * | 1 | |

**
* Ser. Num. 702CS Ignition
** Ser. Num. 681CS New handle

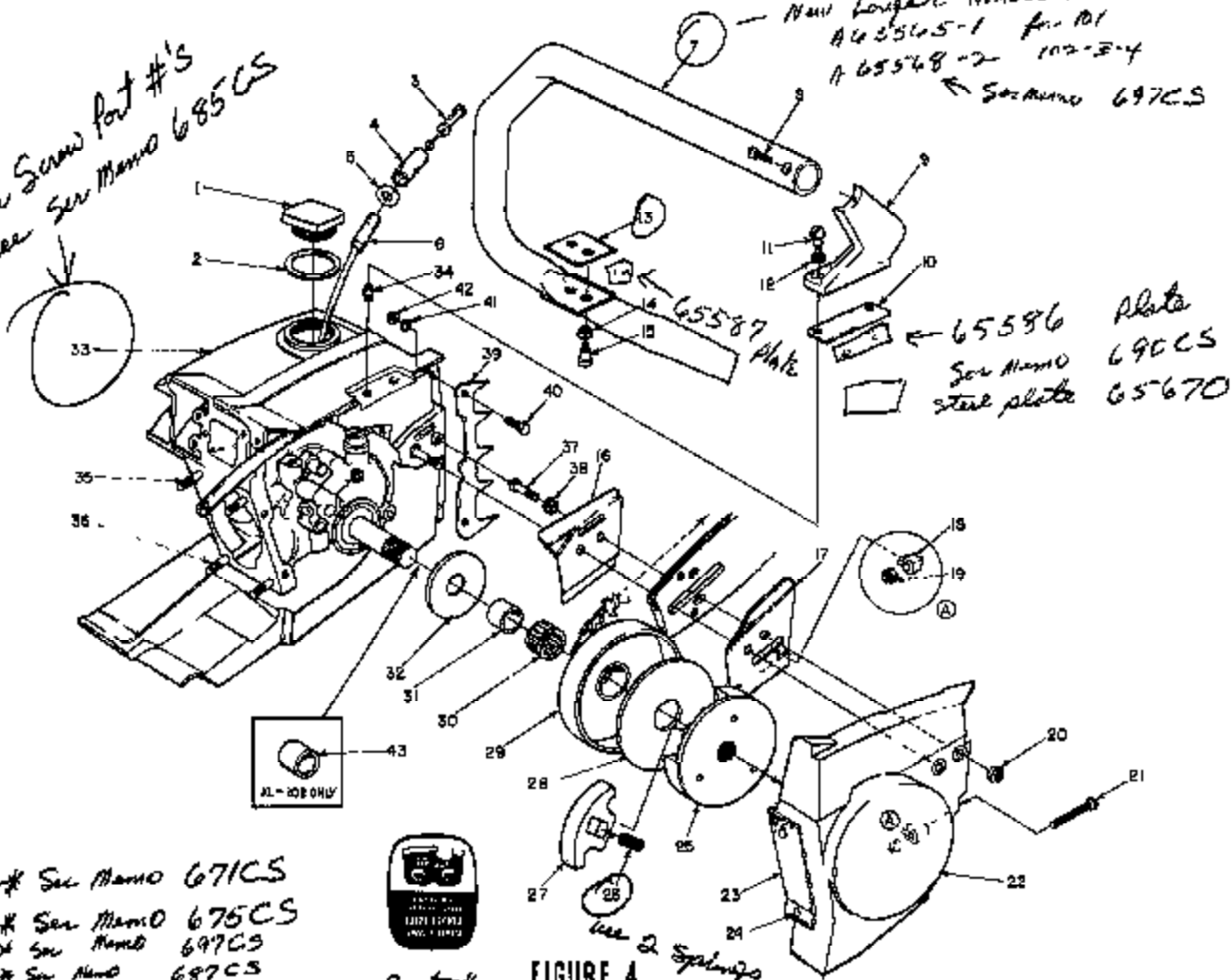
NOTE: Refer to Carburetor Parts List #24107.

ALWAYS FURNISH MODEL AND SERIAL NUMBER WHEN ORDERING PARTS.

HOMELITE XL CHAIN SAWS

for Screw part #'s
see Ser Memo 685CS

Hand Longer handle bars
A-65545-1 for 101
A-65548-2 102-3-4
← Ser Memo 697CS



* Ser Memo 671CS
** Ser Memo 675CS
*** Ser Memo 697CS
**** Ser Memo 687CS
***** Ser Memo 686CS

FIGURE 4

| No. | Description | Part No. | XL-101 | XL-102 | XL-104 | Qty. | No. | Description | Part No. | XL-101 | XL-102 | XL-104 | Qty. |
|----------|---|-----------|--------|--------|--------|------|-------|---|----------|--------|--------|--------|---------|
| 1 | CAP - fuel filler | A-84376 | * | * | * | 1 | 23 | Includes SHIELD - sawdust | 84818 | * | * | * | 1 |
| 2 | Includes GASKET | 84808 | * | * | * | 1 | 24 | RIVET - oval hd. | 85081 | * | * | * | 2 |
| 3 | FILTER - fuel | A-83820 | * | * | * | 1 | 26 | PLATE - clutch (See Note #4, page 7) | 84904-1 | * | * | * | 1 |
| 4 | Includes FILTER - fuel | 84083-1 | * | * | * | 1 | | | | | | | |
| 5 | WASHER | 84182 | * | * | * | 1 | | | | | | | |
| 6 | LINER - fuel | 83544 | * | * | * | 1 | 28 | PLATE - clutch | 83869-1 | * | * | * | 1 |
| * 7 | HANDLE BAR 64799-12 Ser | A-83083-2 | * | * | * | 1 | ** 28 | SPRING - clutch 65587 | 83877 | * | * | * | 3 65842 |
| | HANDLE BAR 64799-2 Above | A-84148-1 | * | * | * | 1 | 27 | SPRING - clutch | 84088 | * | * | * | 1 |
| 8 | SCREW - socket hd, top, #10-32 x 1" | 82126 | * | * | * | 1 | 29 | SHOE - clutch (See Note #4, page 7) | 84566-2 | * | * | * | 3 |
| * * 9 | BRACKET - handle bar | 83859-3 | * | * | * | 1 | 28 | SHOE - clutch | 83870 | * | * | * | 1 |
| | BRACKET - handle bar (use with clearing & bow guides) | 84848-2 | * | * | * | 1 | 29 | COVER - clutch | 83871 | * | * | * | 1 |
| * * * 10 | PAD - bracket 65539 | 84810 | * | * | * | 1 | | SPROCKET & DRUM ASSY. (See Note #4, page 7) | A-84808 | * | * | * | 1 |
| 11 | SCREW - shoulder | 84814-A | * | * | * | 2 | 30 | BEARING - unit case | A-83217 | * | * | * | 1 |
| 12 | GROMMET - handle bar | 84474 | * | * | * | 2 | 31 | RACE - inner | 84323 | * | * | * | 1 |
| * 13 | PAD - handle bar 65360 | 84609 | * | * | * | 1 | 32 | WASHER - thrust | 83690 | * | * | * | 1 |
| * * 14 | GROMMET - handle bar | 84473 | * | * | * | 1 | 33 | CRANKCASE & TANK 84497 | 83880 | * | * | * | 1 |
| * * * 15 | SCREW - shoulder 64794 | 84813-A | * | * | * | 2 | ** 34 | CRANKCASE & TANK 84496 | A-84809 | * | * | * | 1 |
| 16 | PLATE - guide bar (inner) | 83638-A | * | * | * | 1 | | Includes INSERT - "TopLok" | 72488 | * | * | * | 4 |
| 17 | PLATE - guide bar (outer) | 83638-B | * | * | * | 1 | 35 | STUD - cylinder | 83886 | * | * | * | 1 |
| 18 | PIN - bar adjusting | 83825-1 | * | * | * | 1 | 36 | STUD - cylinder | 85871 | * | * | * | 3 |
| 19 | NUT - lock, #10-32 | 81211 | * | * | * | 1 | 37 | SEAL (not shown - see Fig. 3, item 28) | 88308-A | * | * | * | 1 |
| 20 | NUT - hex, 5/16-18 | 81196 | * | * | * | 2 | 38 | INSERT - threaded | 83881 | * | * | * | 2 |
| 21 | SCREW - pan hd, #10-32 x 2 1/8" | 82130-1 | * | * | * | 1 | 38 | PIN - dowel (not shown) | 88998 | * | * | * | 2 |
| 22 | COVER - drive case | A-84820-1 | * | * | * | 1 | | BUMPER - sprung | 71430 | * | * | * | 1 |
| | COVER - drive case for clearing & bow guides only | A-84820-4 | * | * | * | 1 | 39 | BUMPER - hex, #12-24 x 5/8" | 84087 | * | * | * | 1 |
| | COVER - drive case | A-84819-1 | * | * | * | 1 | 40 | WASHER - lock, #12 | 80676 | * | * | * | 2 |
| | COVER - drive case for clearing & bow guides only | A-84819-3 | * | * | * | 1 | 41 | NUT - hex, #12-24 | 83058 | * | * | * | 2 |
| | | | | | | | 42 | SPACER | 81068 | * | * | * | 2 |
| | | | | | | | 43 | | 84372 | * | * | * | 1 |

HOMELITE XL CHAIN SAWS

NOTES

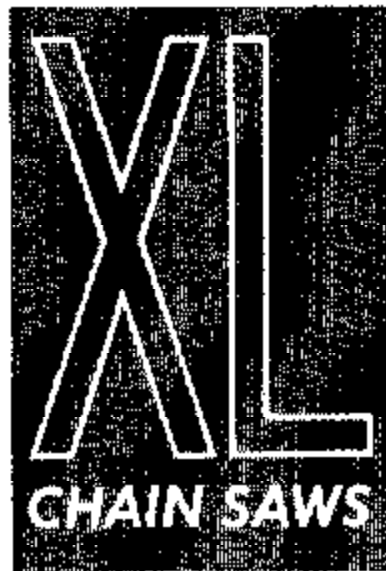
1. Units Below # 288282 Replace Both Items # 43 & # 51 - Not Interchangeable - Must Be Used Together.
2. Units Below Serial # 2532641 Add Item # 44A Part # 31733-1 Straight Fitting To Crankcase To Use A-83948-A Oil Line.
3. For XL-101 & 102 Saws Below Serial # 2618994 And XL-103 & 104 Saws Below Serial # 2829088 Supply The Following:
Item # 17 - Use A-83942 Choke Rod
Item # 28 - Use 88382 Grommet (Choke)
Item # 27 - When Replacing The Throttle Handle You Must Also Replace The Choke Rod With The New - Item # 17 - A-83942-1 Choke Rod.
4. On XL-102, 103, & 104 Saws With Old Style 2 3/4" Clutch Drums Replace The Following As A Set:
Item # 25 - Clutch Plate
Item # 26 - Clutch Springs
Item # 27 - Clutch Shoes
Item # 29 - Sprocket & Drum Assy.
Item # 16 - Guide Bar Plates (Inner)
Item # 17 - Guide Bar Plate (Outer)

Special Tools - available on order

| | |
|-----------|--|
| A-29937-B | WRENCH - combination |
| 22820-B | COLLAR - bearing installation (bearing to shaft) |
| 22628 | PLIERS - retaining ring |
| 23108-1 | SLEEVE - bearing and shaft installation |
| 23828 | WRENCH - socket screw (connecting rod) |
| 23756 | PLUG - needle bearing assembly (connecting rod) |
| 23769 | SLEEVE - seal protection (back plate) |
| 23845-2 | ANVIL - roller bearing disassembly |
| A-23834 | SPANNER - clutch (for use on XL-102, 103 and 104 with Ser #2617839 and up) |
| A-23848 | TOOL - piston pin removal |
| A-23960 | BRACKET - rotor removal |
| 23872 | SLEEVE - seal installation (crankcase w/shaft) |
| 24008-2 | PLATE - shaft alignment |
| A-24081 | JACKSCREW (bearing to shaft to crankcase) |
| 24063 | SLEEVE - seal protection (crankcase XL-101 only) |
| 24054 | PLUG - seal assembly (crankcase) |
| 24086 | PLUG - bearing and seal assembly (back plate) |
| A-24087 | BEARING REMOVER (back plate) |
| A-24060 | SPANNER - clutch (for use on all XL-101's and 102, 103, and 104 units below Ser. #2617828) |
| | Includes: |
| 64208 | PIN, dowel (3) |
| 24076 | SLEEVE - seal protection (crankcase side) XL-102, 103, 104 |
| A-24108 | REAMER - compression valve seat XL-102, 103, 104 |


Accessories

| | |
|---------|-------------------|
| A-84818 | SPARK ARRESTOR |
| 24101 | PAINT - dark blue |
| 22771 | PAINT - vermilion |
| 23680 | PAINT - white |



HOMELITE

A  DIVISION • PORT CHESTER, NEW YORK

Illustrated by  and
prepared by BURNELL COMPANY, INC.
Boston, Mass.