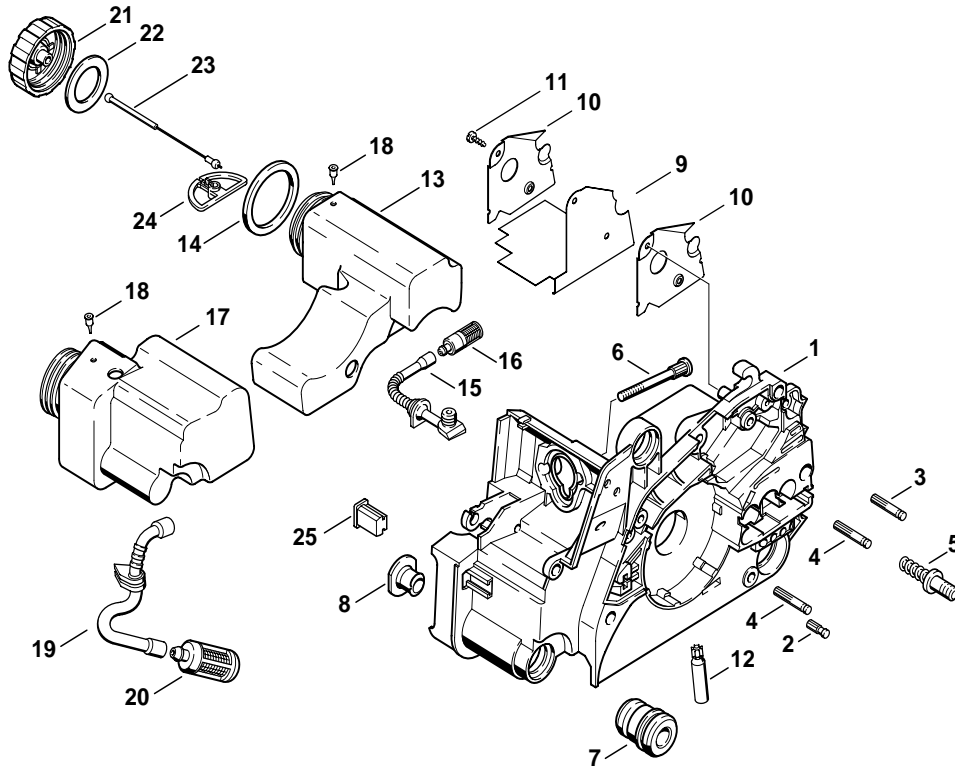

MS 170 (1130)

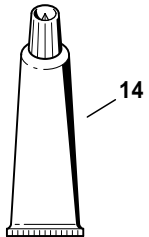
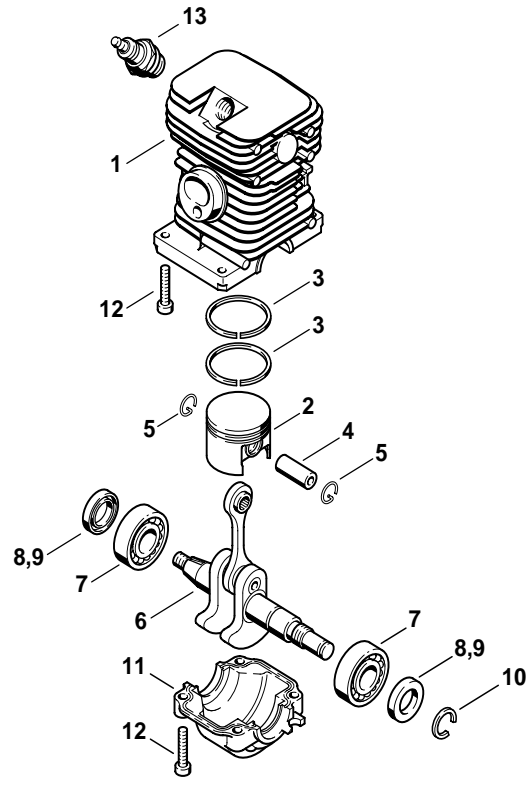
A	Engine housing	2
B	Cylinder	3
C	Muffler	4
D	Rewind starter, Ignition system	5
E	Chain brake	6
F	Quick tensioner parts	7
G	Air filter, Cover	8
H	Handle frame, Tools	9
J	Carburetor C1Q-S57A	10

Online version - not for reprint



Ref. ID	Part Number	Qty.	Part Name
1	1130 020 3002	1	Engine housing
		□ 2 - 11	
2	1120 162 5200	1	Pin
3	1123 162 5200	1	Pin
4	1123 162 5205	2	Pin
5	1123 664 2400	2	Collar screw
6	1121 122 6600	2	Collar screw
7	1123 791 2800	2	Annular buffer
8	1123 791 7300	2	Plug
9	1130 084 8303	1	Reflector foil Cat.
10	1130 145 3400	2	Heat shield Cat.
11	9104 003 8600	2	Self-tapping screw P3x10 Cat.
12	1123 640 3200	1	Oil pump 0.55
13	1130 350 4400	1	Oil tank
		□ 14 - 16, 18	
14	0000 359 1241	1	Sealing ring
15	1130 647 9400	1	Hose
16	1123 640 3800	1	Pickup body
17	1130 350 0400	1	Fuel tank
		□ 18, 19	
18	0747 313 6810	2	Valve
19	1130 358 7700	1	Hose
20	0000 350 3500	1	Pickup body
21	1130 350 0500	2	Filler cap
		□ 22 - 24	
22	0000 359 1240	2	Sealing ring
23	4226 350 0900	2	Rope
24	0000 353 0605	2	Hook
25	1130 791 5900	1	Stop buffer

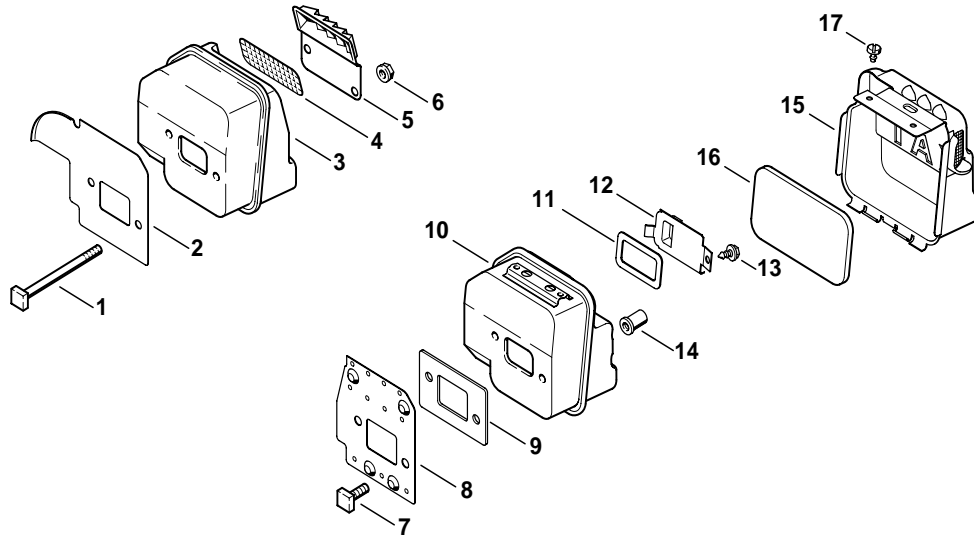
207/ET000 SC



Ref. ID	Part Number	Qty.	Part Name
1	1130 020 1207	1	Cylinder with piston Ø 37mm □ 2 - 5, 12
2	1130 030 2000	1	Piston Ø 37mm □ 3 - 5
3	1130 034 3003	2	Piston ring Ø 37x1.2mm
4	1130 034 1500	1	Piston pin
5	9463 650 0807	2	Snap ring 8x0.7
6	1132 030 0401	1	Crankshaft
7	9503 003 0311	2	Grooved ball bearing 6002
8	9638 003 1581	2	Oil seal 15x25x5 (24.96)
9	9639 003 1585	2	Oil seal 15x25x5 (24.96)
10	9468 621 1520	1	Circlip 15x1
11	1130 021 2505	1	Engine pan
12	9075 478 4159	8	Pan head self-tapping screw IS D5x24
13	1110 400 7005	1	Spark plug Bosch WSR 6 F
14	0783 830 2000	1	Tube of sealant Dirko HT red

207ET001 SC

not for reprint

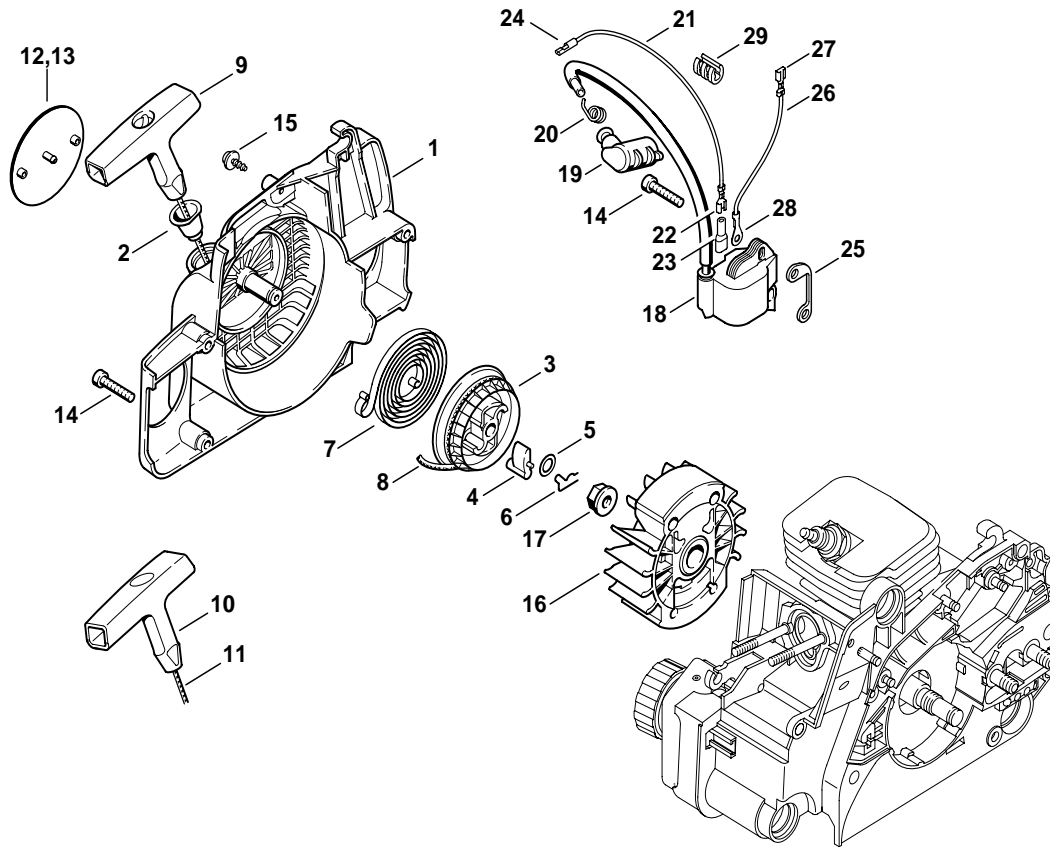


Ref. ID	Part Number	Qty.	Part Name
1	1123 148 1201	2	Screw M5x65 (1)
2	1130 141 3200	1	Cooling plate (1)
3	1130 140 0600	1	Muffler (1)
4	1130 141 9000	1	Screen (1)
5	1130 145 2900	1	Cover (1)
6	9216 261 0700	2	Hexagon nut M5 (1)
7	0000 148 1200	2	Screw M5x15 Cat. (2)
8	1130 141 3201	1	Cooling plate Cat. (2)
9	1130 149 0601	1	Exhaust gasket Cat. (2)
10	1130 140 0607	1	Muffler Cat. (2)
			□ 11 - 17
11	1130 149 0600	1	Exhaust gasket Cat. (2)
12	1130 146 7400	1	Deflecting plate Cat. (2)
13	9099 021 0805	1	Self-tapping screw 4.2x6.5 Cat. (2)
14	0000 148 2000	2	Nut Cat. (2)
15	1130 140 0500	1	Protecting shell Cat. (2)
			□ 16
16	1130 146 9000	1	Insulating pad Cat. (2)
17	9099 021 0805	2	Self-tapping screw 4.2x6.5 Cat. (2)

(1) MS 170, (2) MS 170 C

207ET002 SC

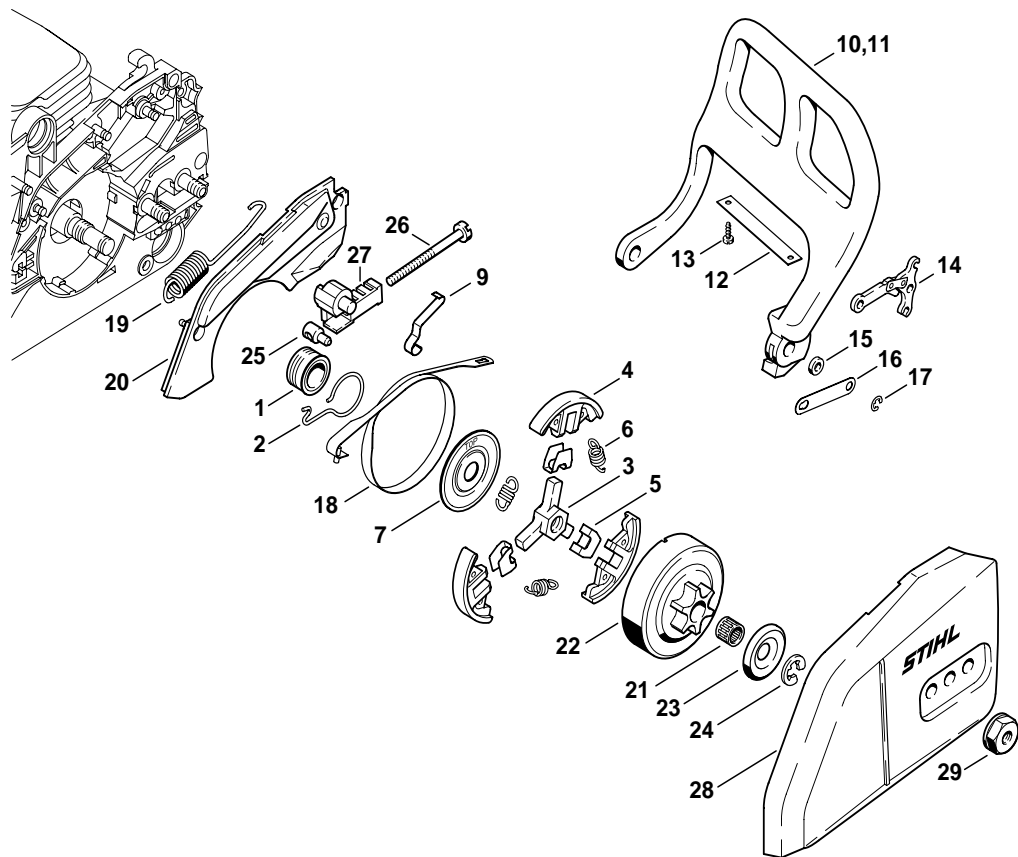
not for reprint



140ET012.SC

Ref. ID	Part Number	Qty.	Part Name
	1130 080 2100	1	Fan housing with rewind starter (1) □ 1 - 9, 12
	1130 080 2105	1	Fan housing with rewind starter (2) □ 1 - 7, 10, 11, 13
1	1130 080 1800	1	Fan housing □ 2, 12, 13
2	1110 084 9102	1	Bushing
3	1123 195 0400	1	Rope rotor
4	1125 195 7200	1	Pawl
5	0000 958 0923	1	Washer
6	1118 195 3500	1	Spring
7	1129 190 0601	1	Rewind spring
8	0000 195 8200	1	Starter rope Ø 3x800mm (1)
9	1121 195 3400	1	Starter grip (1)
10	0000 190 3402	1	Starter grip ElastoStart (2) □ 11
11	0000 195 8200	1	Starter rope Ø 3x800mm (2)
12	1130 967 1504	1	Model plate MS 170 (1)
13	1130 967 1507	1	Model plate MS 170 C (2)
14	9075 478 4155	5	Pan head self-tapping screw IS D5x24
15	9104 003 3002	1	Self-tapping screw P4x12
16	1130 400 1201	1	Flywheel
17	0000 955 0802	1	Collar nut M8x1
18	1130 400 1302	1	Ignition module □ 19, 20
19	1128 405 1000	1	Spark plug boot
20	0000 998 0604	1	Torsion spring
21	1130 440 1101	1	Short circuit wire □ 22 - 24
22	0751 030 8967	1	Terminal socket 4.8-1
23	0751 030 8467	1	Grommet
24	0751 030 8490	1	Terminal socket 3.5
25	1130 405 8000	2	Insulator
26	1130 440 2201	1	Ground wire 125mm / 4 15/16" □ 27, 28
27	0751 030 8953	1	Terminal socket 4.8-1
28	0751 030 8969	1	Terminal socket A5-1.5
29	1130 448 1201	1	Lead retainer

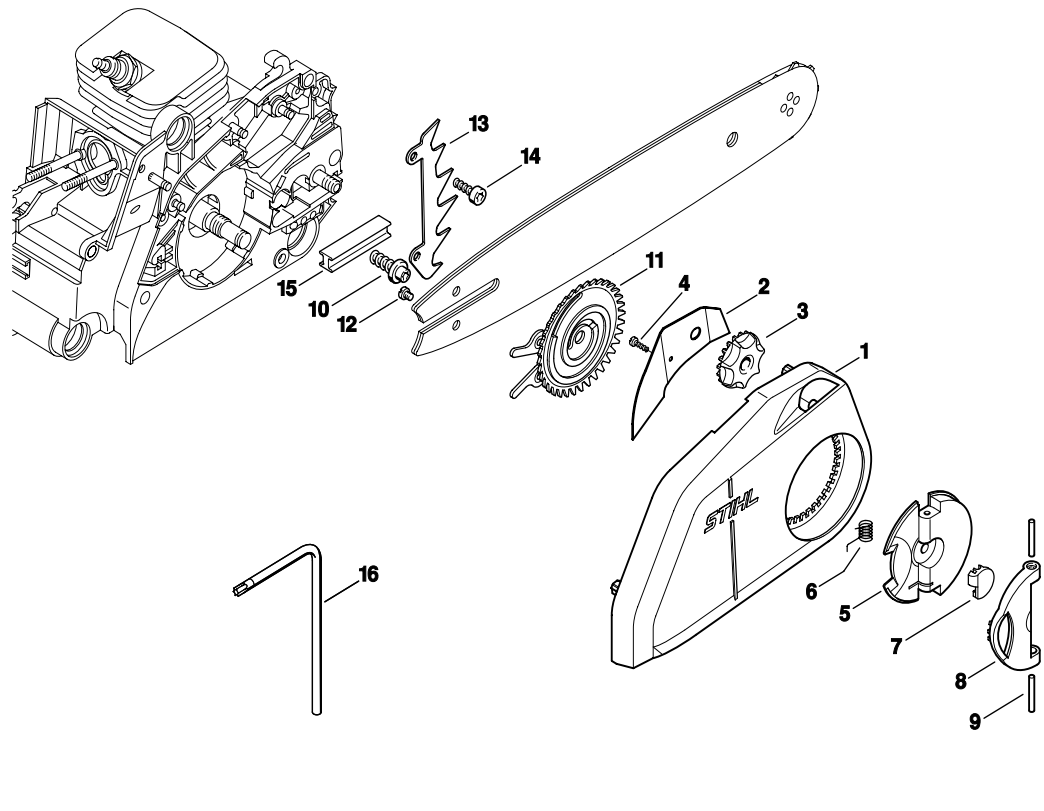
(1) MS 170, (2) MS 170 C



206ET001 SC

Ref. ID	Part Number	Qty.	Part Name
1	1123 640 7105	1	Worm □ 2
2	1123 647 2400	1	Spring
3	1123 160 2050	1	Clutch □ 4 - 7
4	1129 162 0800	3	Clutch shoe
5	1127 162 3000	3	Retainer
6	0000 997 5515	3	Tension spring
7	1121 162 1001	1	Cover washer
9	1123 162 7800	1	Flat spring
10	1130 792 9100	1	Hand guard (1)
11	1130 790 9100	1	Hand guard Cat. (2) □ 12, 13
12	1130 145 0600	1	Heat shield Cat. (2)
13	9104 003 8600	2	Self-tapping screw P3x10 Cat. (2)
14	1128 160 5000	1	Lever
15	0000 958 0521	1	Washer
16	1123 162 5800	1	Strap
17	9460 624 0400	1	E-clip 4
18	1123 160 5400	1	Brake band
19	1123 162 7900	1	Tension spring
20	1130 021 1100	1	Cover
21	9512 933 2260	1	Needle cage 10x13x10
22	1123 640 2005	1	Chain sprocket 3/8" Picco 6T
23	0000 958 1022	1	Washer Ø 27mm
24	9460 624 0801	1	E-clip 8x1.3
25	1120 664 1500	1	Tensioning nut
26	1123 664 1605	1	Adjusting screw
27	1123 664 2205	1	Cover
28	1123 640 1705	1	Chain sprocket cover
29	0000 955 0804	2	Collar nut M8

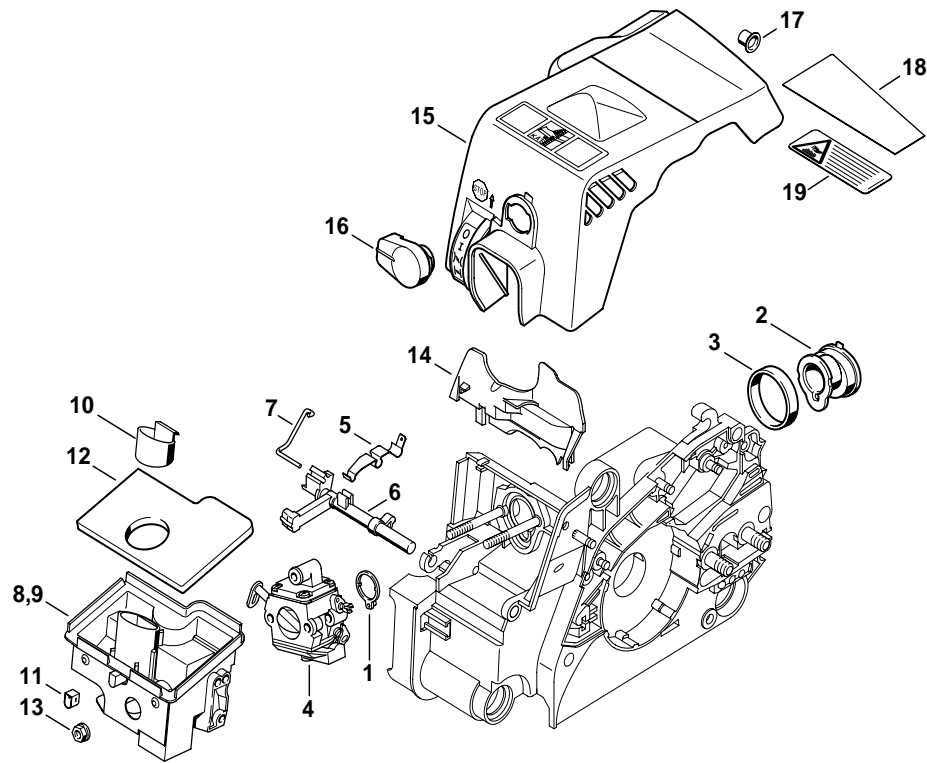
(1) MS 170, (2) MS 170 C



Ref. ID	Part Number	Qty.	Part Name
	1123 007 1008	1	Quick tensioner parts (B) □ 1 - 16
1	1123 640 1700	1	Chain sprocket cover □ 2 - 4
2	1123 648 3800	1	Cover plate
3	1123 648 2200	1	Adjusting wheel
4	9104 003 8600	1	Self-tapping screw P3x10
5	1121 660 1000	1	Wing nut □ 6 - 9
6		1	Torsion spring (D)
7		1	Cap (D)
8		1	Handle (D)
9		2	Cylindrical pin 3m6x26 (D)
10	1123 664 2402	1	Collar screw
11	1123 660 3000	1	Tensioning gear □ 12
12	9041 319 0600	1	Pan head screw M4x5
13	1123 664 0501	1	Bumper spike
14	9075 478 4115	2	Pan head self-tapping screw IS D5x16
15	1123 021 2800	1	Insert
16	0812 370 1000	1	Screwdriver T27x120x70

143ET007 SC

not for reprint

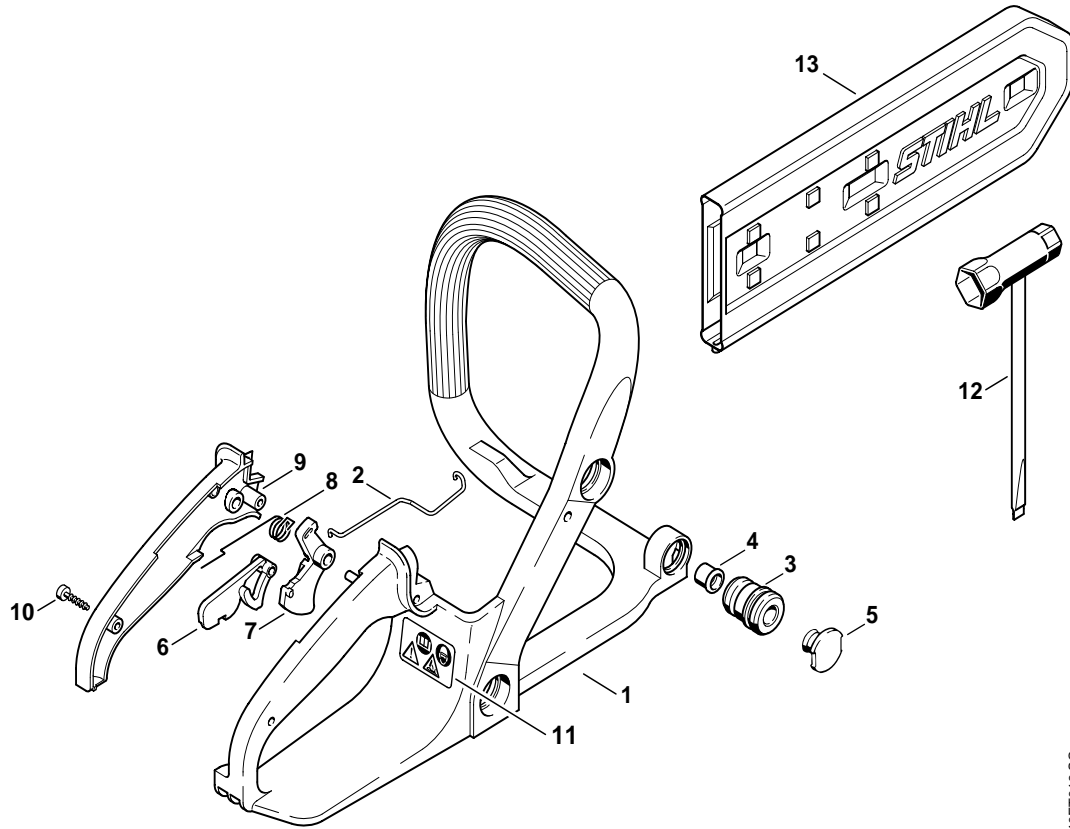


Ref. ID	Part Number	Qty.	Part Name
1	1130 141 1800	1	Sleeve
2	1130 141 2200	1	Manifold
3	1130 022 2000	1	Ring
4	1130 120 0603	1	Carburetor C1Q-S57A
5	1122 442 1603	1	Contact spring
6	1130 182 0900	1	Switch shaft
7	1130 185 2000	1	Choke rod
8	1130 140 2803	1	Filter housing (1) □ 10 - 12
9	1130 140 2804	1	Filter housing Cat. (2) □ 10 - 12
10	1130 141 1101	1	Insert
11	1130 124 7100	1	Sleeve
12	1130 124 0800	1	Filter plate
13	9216 261 0700	2	Hexagon nut M5
14	1130 124 3200	1	Baffle plate
15	1130 140 4709	1	Shroud □ 16 - 18
16	1130 141 2300	1	Twist lock
17	1130 141 1801	1	Sleeve
18	1130 084 8300	1	Reflector foil Cat. (2)
19	0000 967 3748	1	Instruction label Cat. (2)

(1) MS 170, (2) MS 170 C

206ET002 SC

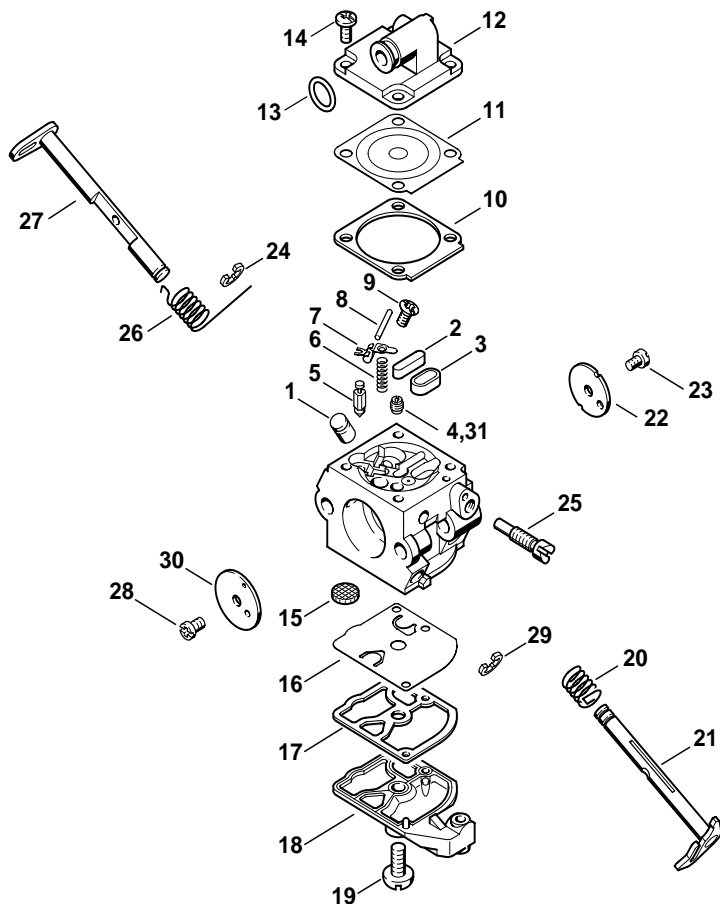
not for reprint



Ref. ID	Part Number	Qty.	Part Name
1	1130 791 4901	1	Handle frame
2	1130 182 1500	1	Throttle rod
3	1123 791 2800	1	Annular buffer
4	1123 791 7305	1	Plug
5	1123 791 7300	1	Plug
6	1130 182 0800	1	Trigger interlock
7	1130 182 1000	1	Throttle trigger
8	1117 182 4500	1	Torsion spring
9	1130 791 0601	1	Handle molding
10	9074 478 3075	2	Pan head self-tapping screw IS P4x19
11	0000 967 3662	1	Instruction label
12	1129 890 3401	1	Combination wrench
13	0000 792 9128	1	Chain scabbard

140ET019 SC

not for reprint



Ref. ID	Part Number	Qty.	Part Name
	1130 120 0603	1	Carburetor C1Q-S57A □ 1 - 30
1	1130 121 5401	1	Valve jet
2	4226 121 0700	1	Cup plug
3	4129 121 0700	1	Cup plug
4	1130 121 5604	1	Fixed jet 0.45
5	4116 121 5100	1	Inlet needle
6	1130 122 3001	1	Spring
7	1125 121 5000	1	Inlet control lever
8	1120 121 9200	1	Spindle
9	1120 122 6600	1	Collar screw
10	1130 129 0901	1	Gasket
11	1130 121 4700	1	Metering diaphragm
12	1130 121 0800	1	End cover
13	9646 945 0490	1	O-ring 7x1.5
14	1120 122 6601	4	Collar screw
15	1123 121 7800	1	Strainer
16	1130 121 4800	1	Pump diaphragm
17	1130 129 0900	1	Gasket
18	4128 121 0800	1	End cover
19	1120 122 7800	1	Oval head screw
20	1123 122 3000	1	Spring
21	1130 120 7101	1	Throttle shaft with lever
22	1130 121 3302	1	Throttle shutter
23	1120 122 7400	1	Round head screw
24	1125 122 9001	1	E-clip
25	1130 122 6300	1	Idle speed adjustment screw
26	1123 122 3200	1	Torsion spring
27	1123 120 7200	1	Choke shaft with lever
28	1125 122 7403	1	Round head screw
29	1125 122 9002	1	E-clip
30	1132 121 2901	1	Choke shutter
31	4137 121 5601	1	Fixed jet 0.42 High altitude
	1130 007 1061	1	Set of carburetor parts □ 10, 11, 16, 17

140ET016 SC