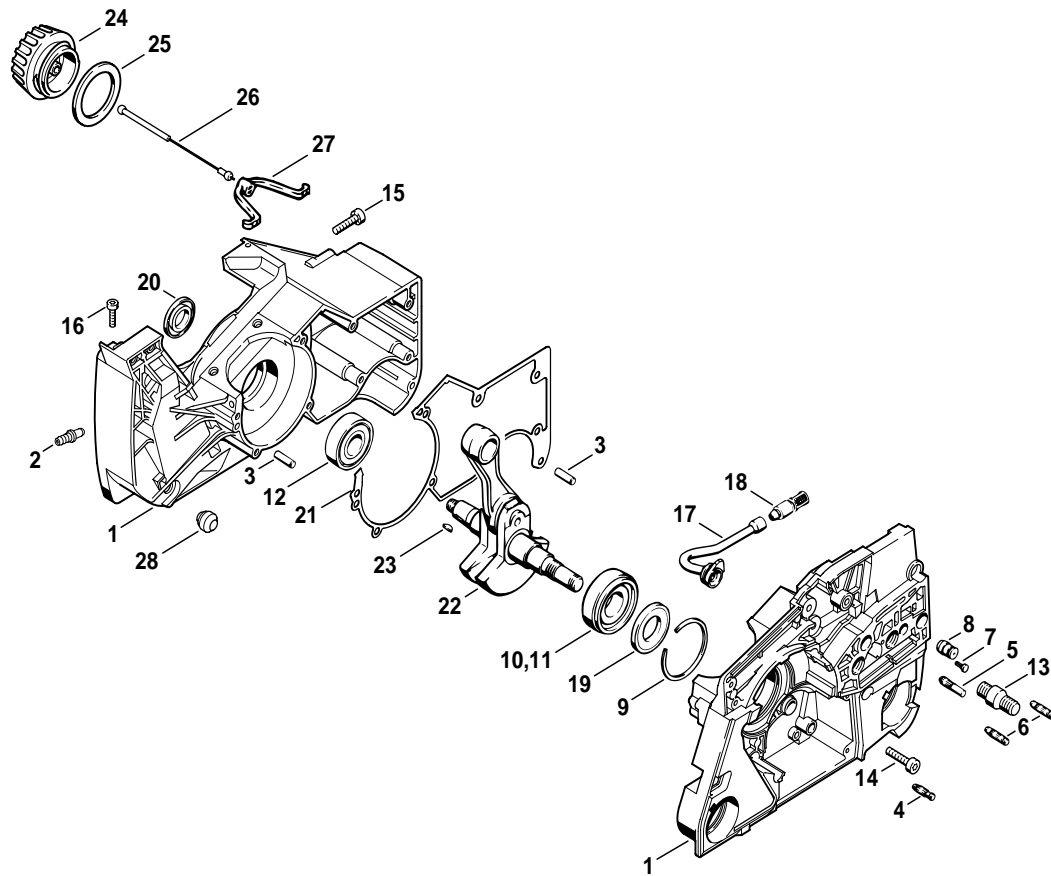


---

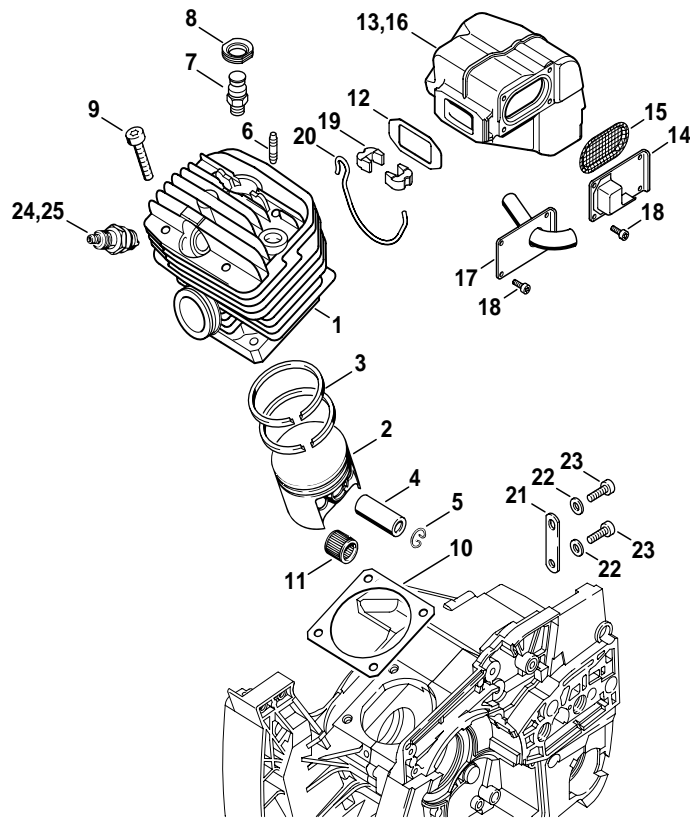
# **088** (1124)

A	Crankcase .....	2
B	Cylinder, Muffler .....	3
C	Oil pump .....	4
D	Clutch .....	5
E	Chain brake .....	6
F	Ignition system .....	7
G	Rewind starter .....	8
H	Tank housing, AV-System .....	9
J	Air filter .....	10
K	Carburetor HT-12A .....	11
L	Handlebar .....	12
M	Helper's handle, Chain scabbard .....	13
N	Tools, Extras .....	14



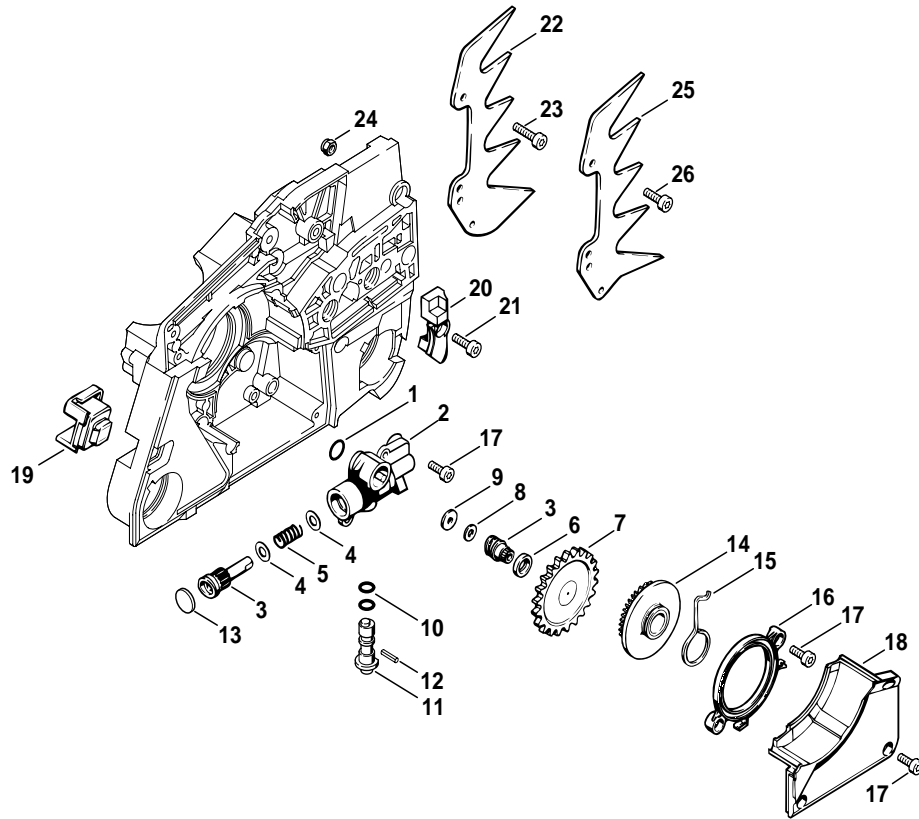
171ET030 GM

Ref. ID	Part Number	Qty.	Part Name
1	1124 020 2115	1	Crankcase □ 2 - 10, 12-16
2	0000 988 5215	1	Connector
3	9371 470 2610	2	Cylindrical pin 5x18
4	1120 162 5200	1	Pin
5	1121 162 5205	1	Pin
6	1121 162 5200	2	Pin
7	0000 974 1200	1	Notched pin 2.6x8
8	1124 640 9100	1	Valve
9	9465 620 2720	1	Snap ring 47
10	9523 003 4386	1	Grooved ball bearing 20x47x15
11	* 9523 003 4385	1	Grooved ball bearing 20x47x15 → 1 54 603 854 (15.2002)
12	9503 003 6676	1	Grooved ball bearing 6203
13	1124 664 2405	2	Collar screw
14	9022 341 1050	8	Spline screw IS M5x25
15	9022 341 1310	2	Spline screw IS M6x18
16	9022 341 0980	2	Spline screw IS M5x16
17	1124 647 9400	1	Hose
18	1117 640 3800	1	Pickup body
19	9640 003 2250	1	Oil seal B20x39x4
20	9640 003 1855	1	Oil seal 17x32.9x5
21	1124 029 0510	1	Gasket
22	1124 030 0404	1	Crankshaft □ 23
23	1120 036 8500	1	Woodruff key 2x3.7
24	0000 350 0520	1	Filler cap □ 25 - 27
25	0000 359 1220	1	Sealing ring
26	0000 350 0900	1	Rope
27	0000 353 0600	1	Hook
28	1125 791 2810	1	Stop buffer
	1124 007 1051	1	Set of gaskets 088 □ 19 - 21



Ref. ID	Part Number	Qty.	Part Name
1	1124 020 1206	1	Cylinder with piston Ø 60mm □ 2 - 6
2	1124 030 2007	1	Piston Ø 60mm □ 3 - 6
3	1124 034 3010	2	Piston ring Ø 60x1.2mm
4	1124 034 1500	1	Piston pin
5	9463 650 1300	2	Snap ring 13x1
6	0000 953 0818	1	Stud M5
7	1124 020 9410	1	Decompression valve
8	1122 084 1405	1	Cover
9	9022 341 1370	4	Spline screw IS M6x30
10	1124 029 2310	1	Cylinder gasket
11	9512 003 3440	1	Needle cage 13 x17x17.5
12	1124 149 0610	1	Exhaust gasket
13	1124 140 0625	1	Muffler USA, CDN, AUS □ 14, 15, 18, 21 - 23
14	1124 145 2905	1	Exhaust cover
15	1124 141 9005	1	Screen
16	1124 140 0620	1	Muffler □ 17, 18, 21 - 23
17	1124 145 2900	1	Exhaust cover
18	9022 313 0660	4	Spline screw IS M4x12
19	1124 145 1905	2	Tension wedge
20	1124 145 1800	1	Tension spring
21	1124 145 2005	2	Support
22	9291 021 0120	4	Washer 5.3
23	9022 341 0980	4	Spline screw IS M5x16
24	1110 400 7005	1	Spark plug Bosch WSR 6 F
25	0000 400 7000	1	Spark plug NGK BPMR7A
	1124 007 1051	1	Set of gaskets 088 □ 10, 12

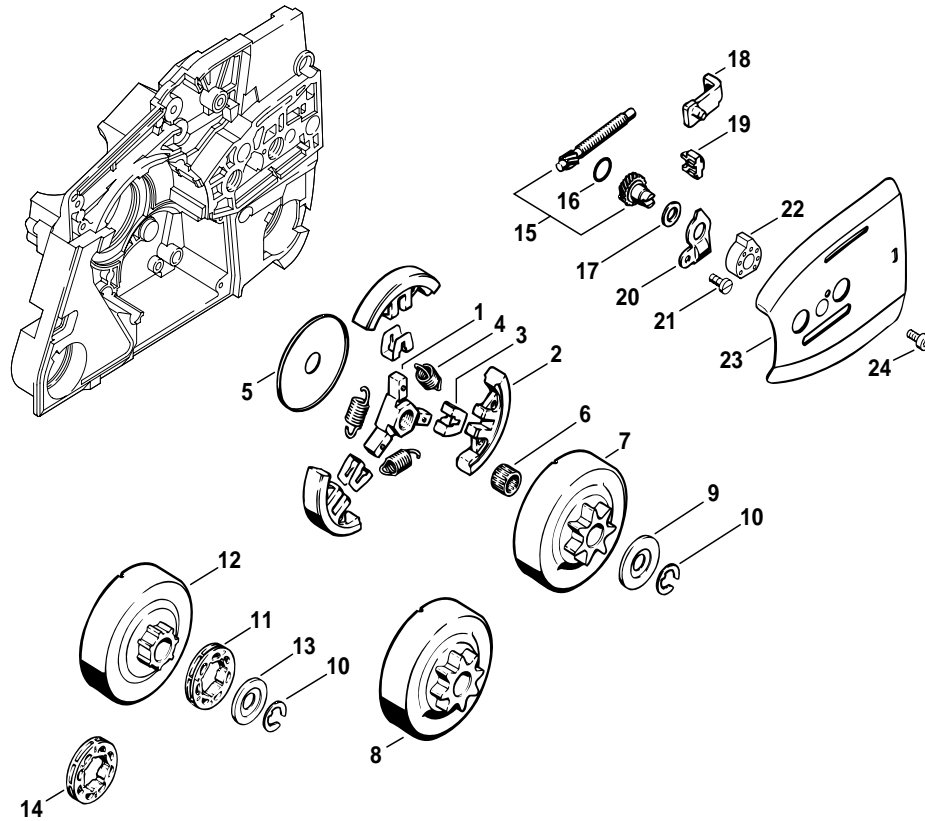
171ET022 GM



Ref. ID	Part Number	Qty.	Part Name
1	1122 649 5000	1	Sealing ring B4x2
2	1124 640 3205	1	Oil pump □ 3 - 13
3	1124 007 1029	1	Set pump piston with worm □ 4 - 8
4	0000 958 0706	1	Washer
5	0000 997 0842	1	Compression spring
6	9643 003 0910	1	Sealing ring 10x14x3
7	1119 647 1800	1	Spur gear
8	0000 958 0402	1	Washer
9	1124 647 7810	1	Washer
10	9646 945 0160	2	O-ring 4x2
11	1124 647 4805	1	Control bolt
12	9380 620 1090	1	Roll pin 2x10
13	0000 988 6220	1	Plug
14	1124 640 7512	1	Spur gear □ 15
15	1124 647 2400	1	Spring
16	1124 021 1100	1	Cover
17	9022 313 0660	8	Spline screw IS M4x12
18	1124 021 1115	1	Cover
19	1124 791 2800	1	Stop buffer
20	1124 664 3600	1	Deflector
21	9022 341 1280	2	Spline screw IS M6x16
22	1124 664 0501	2	Bumper spike (1)
23	9022 341 1280	2	Spline screw IS M6x16 (1)
24	9214 320 0900	2	Lock nut M6
25	1124 664 0506	2	Bumper spike (2)
26	9022 341 1310	2	Spline screw IS M6x18 (2)

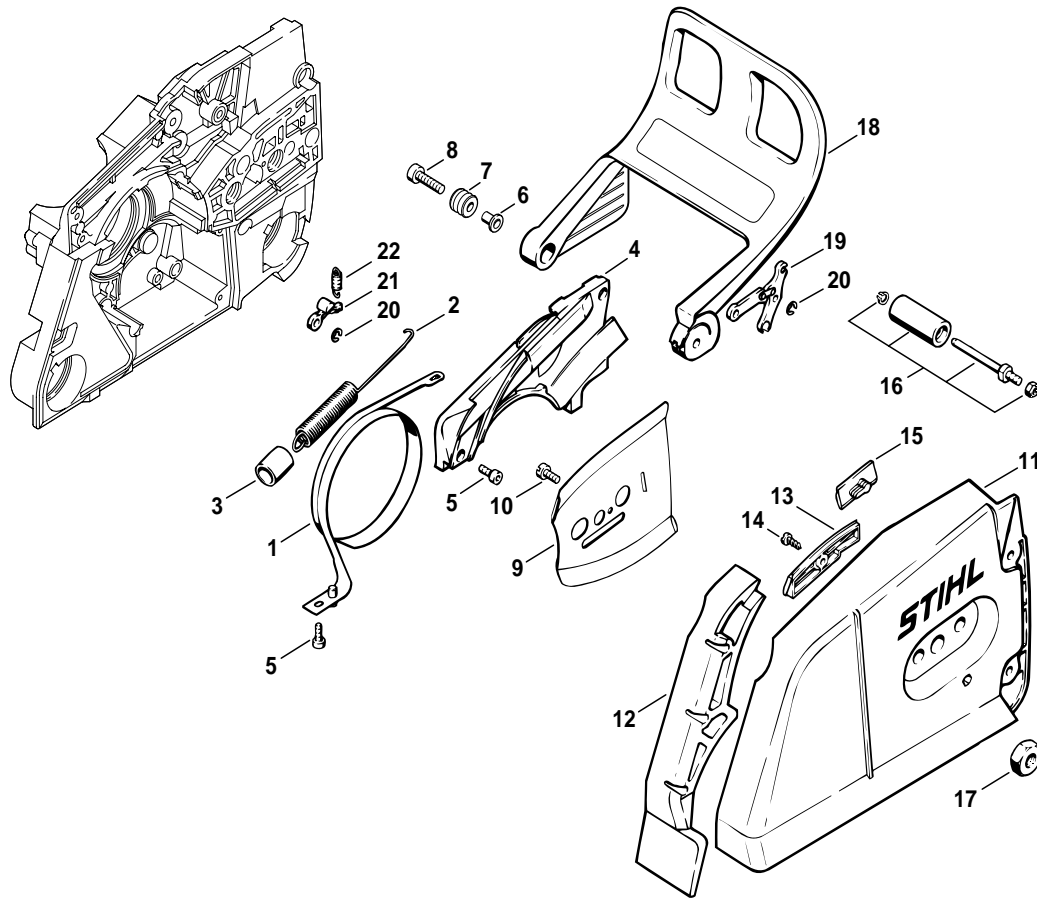
171ET023 GM

(1) 088, (2) 088 R

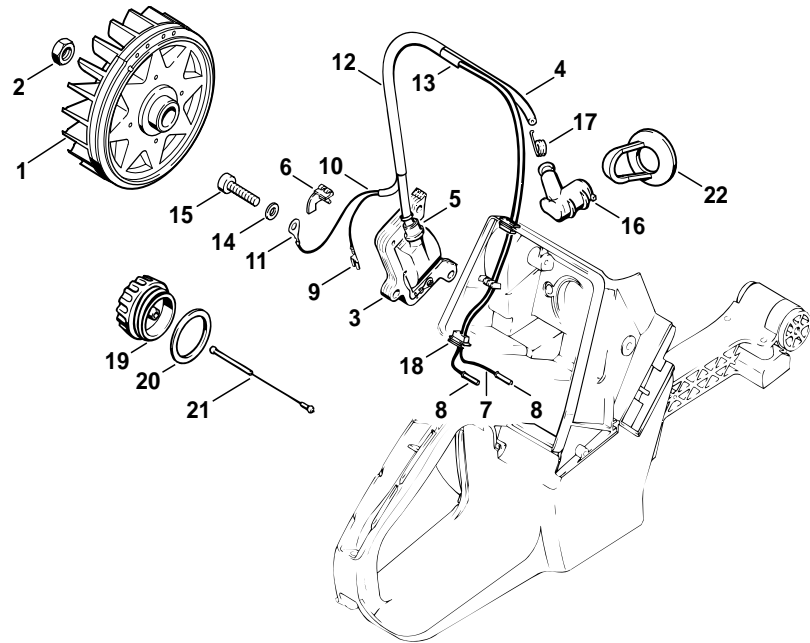


171ET024 GM

Ref. ID	Part Number	Qty.	Part Name
	1124 160 2005	1	Clutch □ 1 - 4
1	1124 162 3205	1	Carrier
2	1124 162 0805	3	Clutch shoe
3	1124 162 3000	3	Retainer
4	0000 997 5818	3	Tension spring
5	1124 162 8900	1	Washer
6	9512 933 3170	1	Needle cage 12x17x13
7	1124 640 2005	1	Chain sprocket 0.404" 7T (B)
8	1124 640 2004	1	Chain sprocket 3/8" 8T (B)
9	0000 958 1236	1	Washer
10	9460 624 1001	1	E-clip 10x1.5
	1124 007 1024	1	Rim sprocket kit 0.404" 7T □ 10 - 13
11	0000 642 1207	1	Rim sprocket 0.404" 7T
12		1	Clutch drum (D)
13	0000 958 1236	1	Washer
	1124 007 1025	1	Rim sprocket kit 3/8" 8T □ 12 - 14
14	0000 642 1216	1	Rim sprocket 3/8" 8T
15	1124 007 1008	1	Spur gear / chain adjusting screw kit □ 16
16	9646 945 0490	1	O-ring 7x1.5
17	1124 664 4400	1	Brake washer
18	1124 640 1900	1	Tensioner slide
19	1124 664 1400	1	Thrust pad
20	1124 664 2210	1	Cover plate
21	9041 216 0630	2	Pan head screw M4x8
22	1124 664 4500	1	Support
23	1124 664 1001	1	Inner side plate
24	9022 313 0630	1	Spline screw IS M4x8



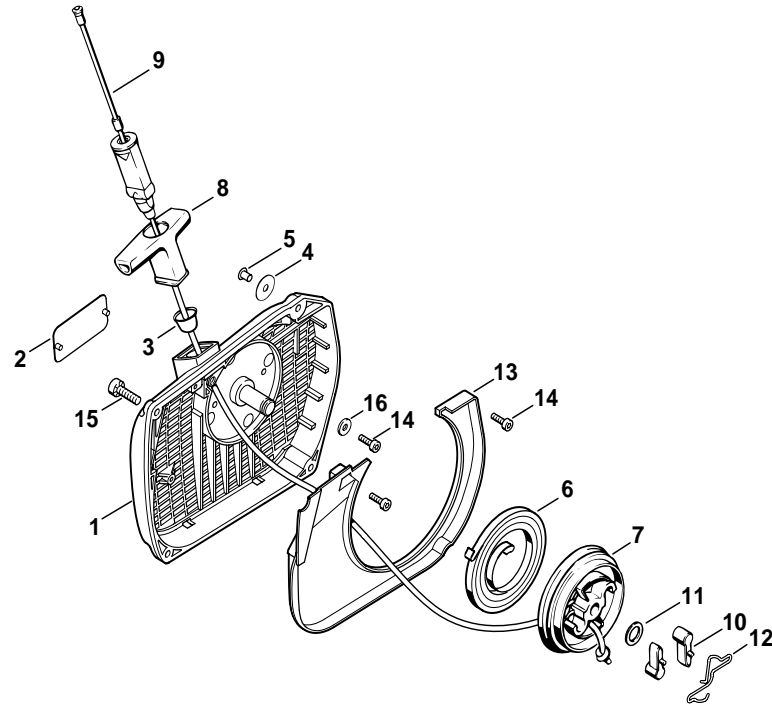
Ref. ID	Part Number	Qty.	Part Name
1	1124 160 5400	1	Brake band
2	1124 160 5500	1	Tension spring
3	1125 162 8002	1	Hose 20mm / 13/16"
4	1124 021 1120	1	Cover
5	9022 313 0660	3	Spline screw IS M4x12
6	1124 792 5500	1	Bushing
7	1124 792 5505	1	Bushing
8	9022 341 1080	1	Spline screw IS M5x35
9	1124 664 1100	1	Outer side plate
10	9039 488 0340	1	Self-tapping screw M3x8
11	1124 640 1702	1	Chain sprocket cover
12	1124 656 1505	1	Guard
13	1124 656 2800	1	Cover plate
14	9099 021 2770	1	Self-tapping screw 3.9x13
15	1121 648 6610	2	Bumper strip
16	1124 650 7700	1	Chain catcher
17	0000 955 0903	2	Nut M10
18	1124 792 9110	1	Hand guard
19	1124 160 5000	1	Lever
20	9460 624 0400	2	E-clip 4
21	1121 162 5010	1	Lever
22	0000 997 0628	1	Spring



Ref. ID	Part Number	Qty.	Part Name
1	1124 400 1210	1	Flywheel
2	9211 260 1340	1	Hexagon nut M10x1
3	1124 400 1309	1	Ignition module EY-V □ 4 - 6
4		1	Ignition lead 200mm
	0000 405 0600	1	Ignition lead 1m (B)
	0000 930 2251	1	Ignition lead 10m (B)
5	0000 989 1010	1	Grommet
6	1125 448 1201	1	Lead retainer
7	1124 440 1101	1	Short circuit wire □ 8, 9
8	1119 442 7000	2	Contact sleeve
9	0751 030 8953	1	Terminal socket 4.8-1
10	1124 440 2200	1	Ground wire □ 8, 11
11	0751 030 8969	1	Terminal socket A5-1.5
12	1121 405 8001	1	Insulating hose 90mm / 3.5"
13	1124 442 0400	1	Insulating hose 160mm / 6.3"
14	9291 021 0120	3	Washer 5.3
15	9022 341 1050	3	Spline screw IS M5x25
16	1128 405 1000	1	Spark plug boot
17	0000 998 0604	1	Torsion spring
18	0000 989 1004	2	Grommet
19	0000 350 0530	1	Filler cap □ 20, 21
20	0000 359 1230	1	Sealing ring
21	0000 350 0900	1	Rope
22	1128 084 1400	1	Cover

171ET005 GM

no print reprint

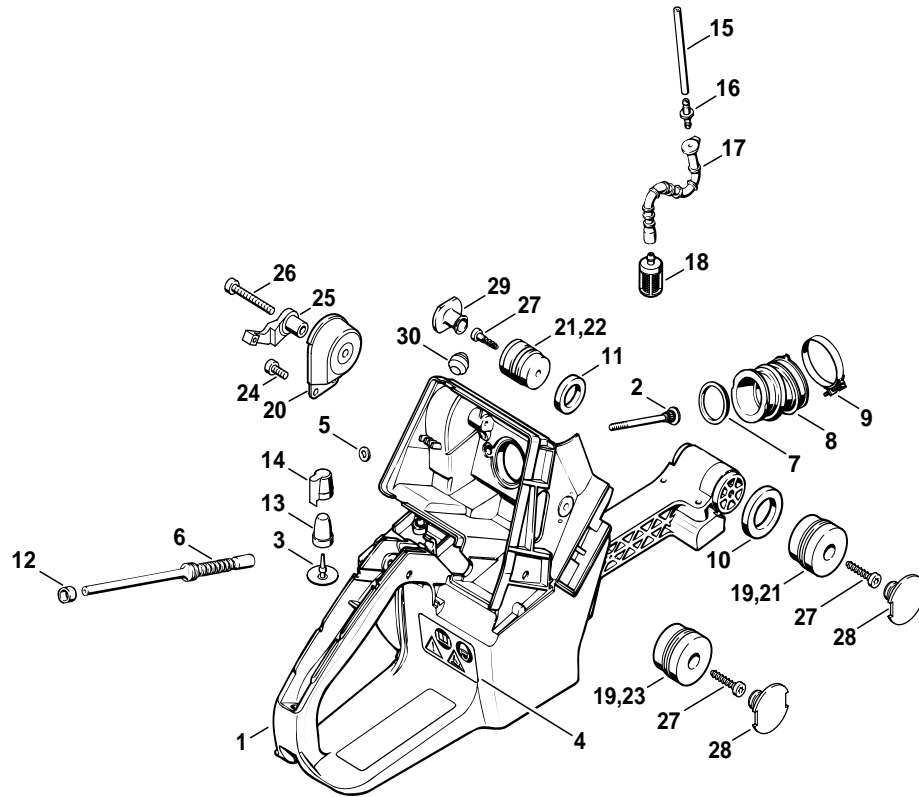


Ref. ID	Part Number	Qty.	Part Name
	1124 080 2110	1	Fan housing with rewind starter □ 1 - 14
1	1124 080 1810	1	Fan housing □ 2 - 5
2	0000 967 2035	1	Nameplate
3	1110 084 9102	1	Bushing
4	0000 958 0607	1	Washer
5	9416 868 6530	1	Hollow rivet 6.5x0.5x6.8
6	1124 190 0605	1	Rewind spring
7	1124 195 0400	1	Rope rotor
8	1122 190 3400	1	Starter grip ElastoStart □ 9
9	1122 190 2900	1	Starter rope Ø 4.5mm
	0000 930 2268	1	Starter rope Ø 4.5mm / 28 pieces (B)
10	1124 195 7200	2	Pawl
11	1119 162 8925	1	Washer Ø 12mm
12	1124 195 3500	1	Spring
13	1124 084 7810	1	Segment
14	9022 313 0660	3	Spline screw IS M4x12
15	9022 371 1020	3	Spline screw IS M5x20
16	9307 021 0100	1	Washer 4.3

171ET006 GM

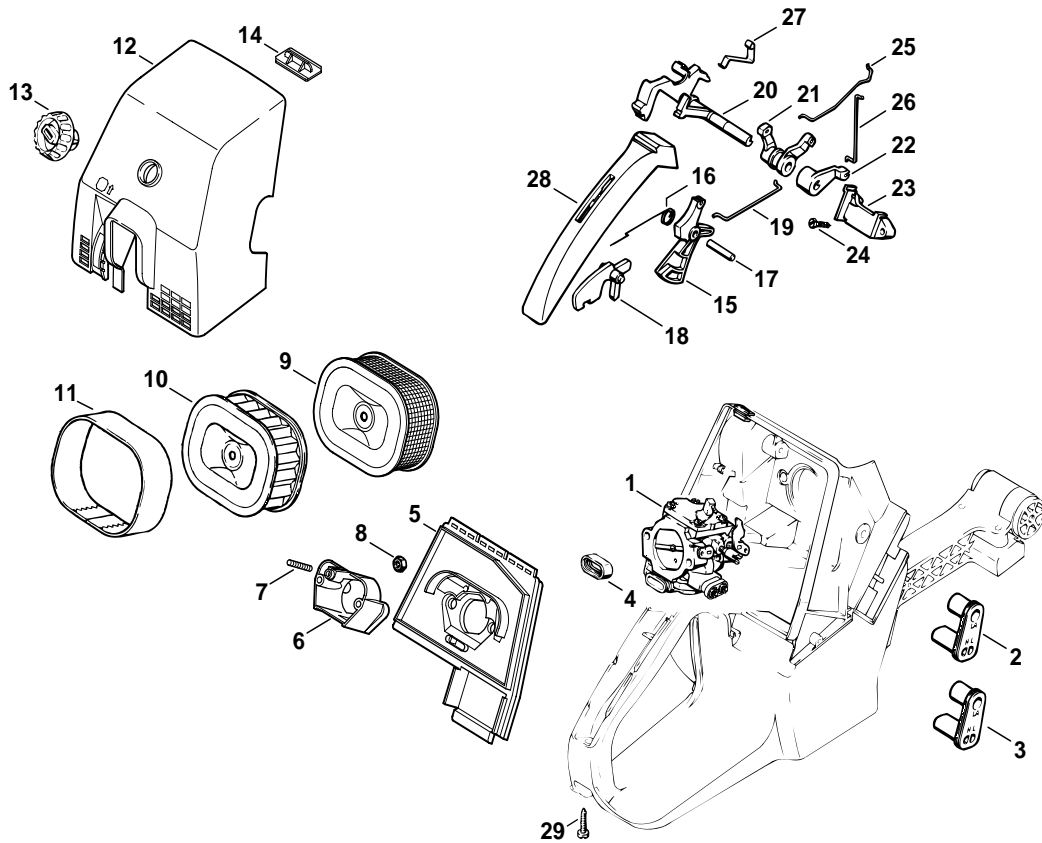
not for reprint





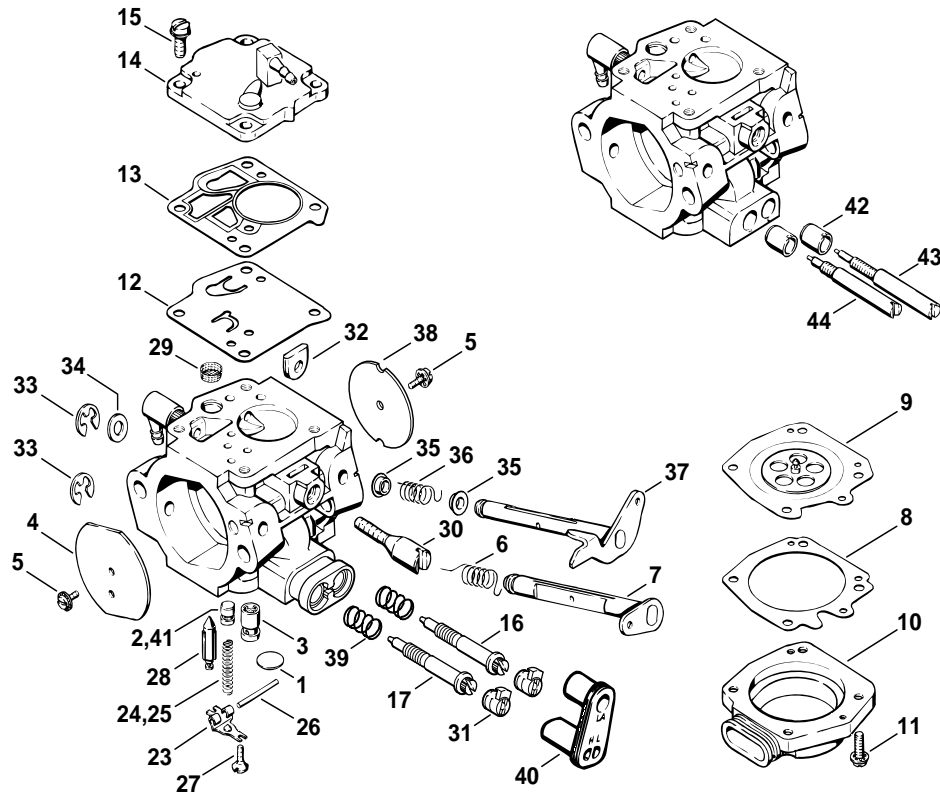
Ref. ID	Part Number	Qty.	Part Name
1	1124 350 0820	1	Tank housing
		□ 2 - 5	
2	1124 122 6610	2	Collar screw
3	1110 353 1600	1	Valve
4	0000 967 3662	1	Instruction label
5	0000 958 0513	2	Washer
6	1124 141 8603	1	Impulse hose
7	1124 141 1800	1	Sleeve
8	1124 141 2201	1	Manifold
9	9771 021 2630	1	Hose clip 38x7
10	1124 791 8400	1	Ring
11	1119 791 8400	1	Ring
12	1125 647 8200	1	Sleeve
13	1121 358 1800	1	Filter
14	1121 358 2500	1	Cap
15	1124 358 7705	1	Hose 120mm / 4 3/4"
16	1124 122 3900	1	Connector
17	1124 358 7700	1	Hose
18	0000 350 3504	1	Pickup body
			AV system normal:
19	1124 790 9900	1	Annular buffer
20	1124 790 9920	1	Annular buffer
21	1124 790 9901	1	Annular buffer
22	1121 790 9912	1	Annular buffer
			AV system hard:
19	1124 790 9900	1	Annular buffer
20	1124 790 9920	1	Annular buffer
21	1124 790 9901	1	Annular buffer
23	1124 790 9908	1	Annular buffer
24	9022 341 0960	2	Spline screw IS M5x12
25	1124 791 7605	1	Support
26	9022 341 1400	1	Spline screw IS M6x40
27	9074 478 4435	3	Pan head self-tapping screw IS P6x19
28	1124 791 7300	2	Plug
29	1119 791 7306	1	Plug
30	1125 791 2810	1	Stop buffer

171ET026 GM



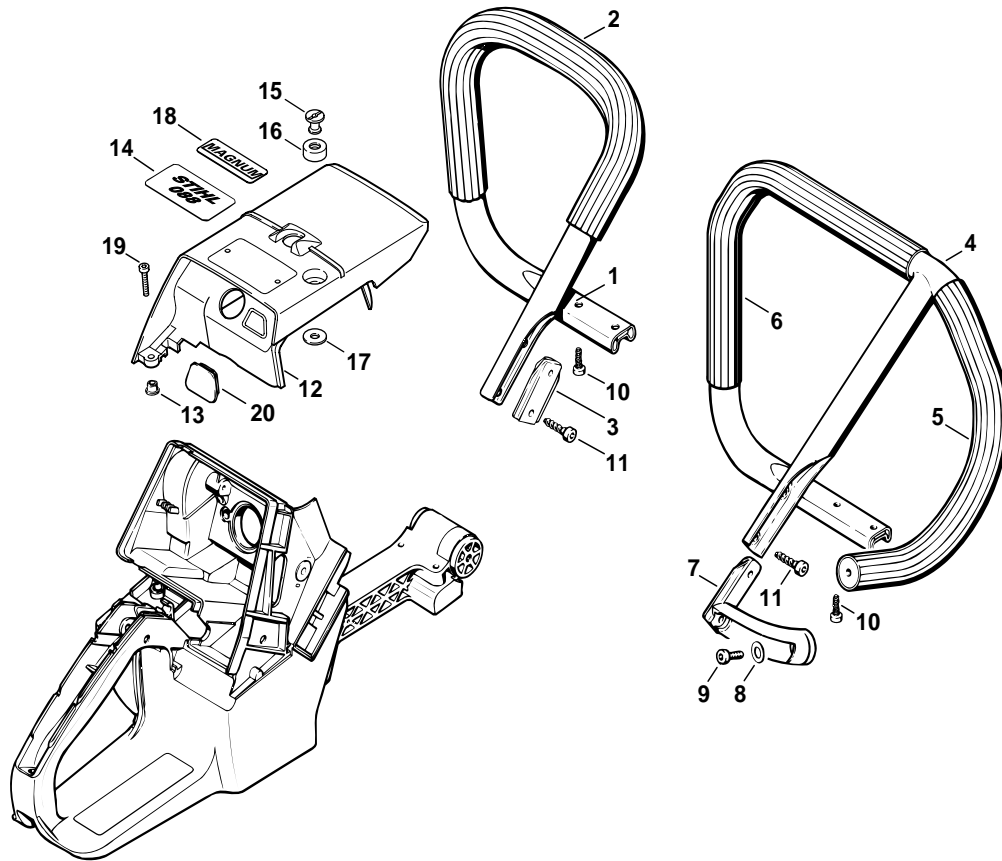
Ref. ID	Part Number	Qty.	Part Name
1	1124 120 0650	1	Carburetor HT-12A □ 2
2	1124 123 7501	1	Grommet
3	* 1124 123 7500	1	Grommet (40.97)
4	1124 121 9100	1	Bushing
5	1124 124 3420	1	Filter base
6	1124 120 2200	1	Flange □ 7
7	9121 319 0960	1	Stud M5x12x9
8	9216 261 0700	2	Hexagon nut M5
9	0000 120 1653	1	Air filter, wire mesh □ 11
10	0000 120 1654	1	Air filter HD □ 11
11	0000 141 0300	1	Prefilter
12	1124 141 0510	1	Filter cover
13	1124 140 9500	1	Twist lock
14	1128 141 4001	1	Slide
15	1124 182 1000	1	Throttle trigger
16	1117 182 4500	1	Torsion spring
17	9371 470 2640	1	Cylindrical pin 5x24
18	1117 182 0805	1	Trigger interlock
19	1124 182 1500	1	Throttle rod
20	1124 182 0900	1	Switch shaft
21	1124 182 0800	1	Double lever
22	1124 185 2000	1	Choke lever
23	1124 182 4400	1	Mount
24	9099 021 2810	1	Self-tapping screw 3.9x19
25	1124 182 1505	1	Throttle rod
26	1124 185 1900	1	Choke rod
27	1124 442 1600	1	Contact spring
28	1124 791 0600	1	Handle molding
29	9074 478 3076	1	Pan head self-tapping screw IS P4x19

171ET027 GM



171ET029 GM

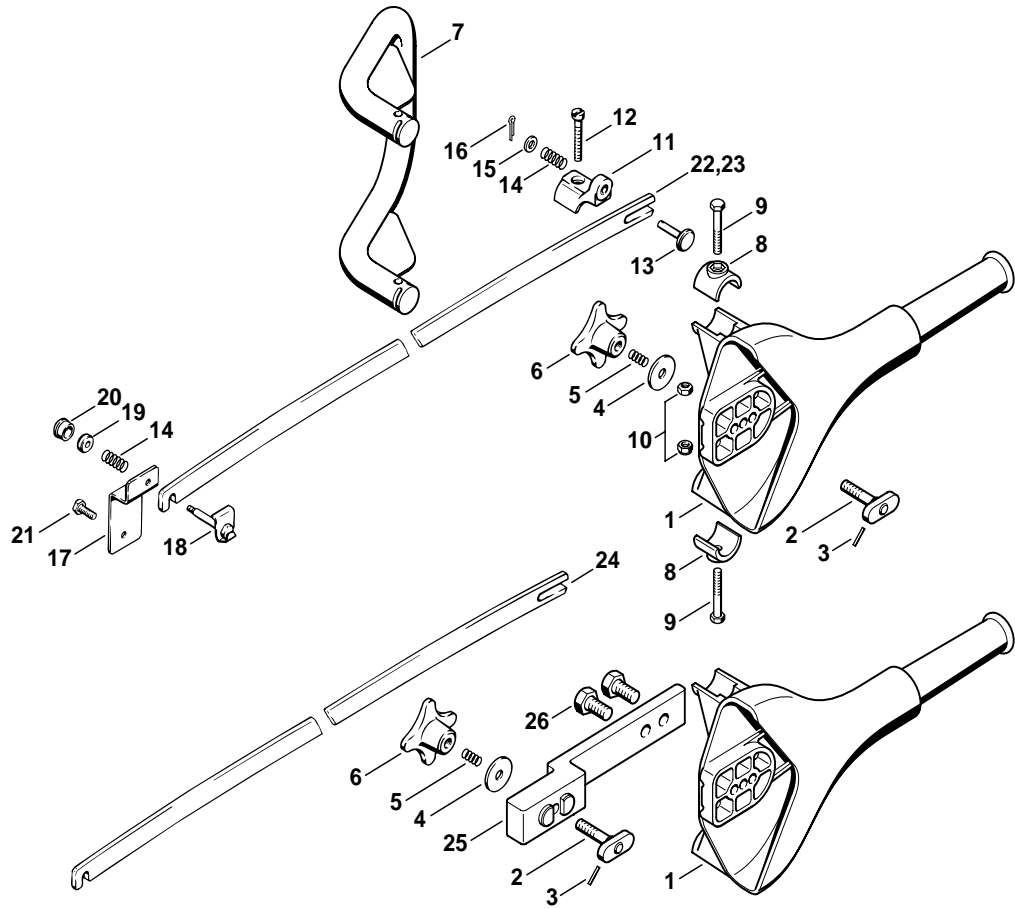
Ref. ID	Part Number	Qty.	Part Name
	1124 120 0650	1	Carburetor HT-12A □ 1 - 24, 26 -40
1	1110 122 9410	1	Plug
2	1124 121 5604	1	Fixed jet
3	1124 121 5405	1	Valve jet
4	1124 121 2900	1	Choke shutter
5	1110 122 7400	2	Round head screw
6	1124 122 3200	1	Torsion spring
7	1124 120 7200	1	Choke shaft with lever
8	1110 129 0900	1	Gasket
9	1110 121 4700	1	Metering diaphragm
10	1124 121 0803	1	End cover
11	1124 122 7102	4	Screw
12	1124 121 4800	1	Pump diaphragm
13	1110 129 1110	1	Gasket
14	1124 121 0802	1	End cover
15	1110 122 7700	4	Oval head screw
16	1124 122 6803	1	Low speed adjustment screw
17	1124 122 6703	1	High speed adjustment screw
23	1124 121 5000	1	Inlet control lever
24	1124 122 3001	1	Spring
25	* 1124 122 3000	1	Spring (34.97)
26	1110 121 9200	1	Spindle
27	1110 122 7800	1	Oval head screw
28	1110 121 5100	1	Inlet needle
29	1110 121 7810	1	Strainer
30	1124 122 6200	1	Idle speed adjustment screw
31	1124 121 2700	2	Cap
32	1124 121 7700	1	Clamp
33	1110 122 9005	2	E-clip
34	1124 121 8600	1	Washer
35	4221 122 9100	2	Bushing
36	1124 122 3202	1	Torsion spring
37	1124 120 7100	1	Throttle shaft with lever
38	1124 121 3301	1	Throttle shutter
39	1110 122 3030	2	Spring
40	1124 123 7501	1	Grommet
41	1124 121 5603	1	Fixed jet 1.00 High altitude (B)
	1124 007 1060	1	Set of carburetor parts □ 8, 9, 12, 13 Carburetor HT-11D (40.97)
	*		Carburetor HT-11D (40.97)
42	* 1124 122 5400	2	Sleeve (40.97)
43	* 1124 122 6802	1	Low speed adjustment screw (40.97)
44	* 1124 122 6702	1	High speed adjustment screw (40.97)



Ref. ID	Part Number	Qty.	Part Name
1	1124 790 1721	1	Handlebar with hose (1) □ 2
2		1	Handle hose Ø 21x450mm / 7/8x17 3/4" (1)
	0000 791 2005	1	Handle hose Ø 23mm x 5m / 1x197" (B)
3	1124 791 5105	1	Stiffener (1)
4	1124 790 3620	1	Wrap around handlebar with hose (2) □ 4 - 8
5		1	Handle hose 325mm / 12 13/16" (2)
6		1	Handle hose 415mm / 16 3/8" (2)
7	1124 791 5500	1	Elbow connector (2)
8	9291 021 0140	1	Washer 6.4 (2)
9	9022 341 1300	1	Spline screw IS M6x20 (2)
10	9074 478 4475	2	Pan head self-tapping screw IS P6x21.5
11	9074 478 4675	2	Pan head self-tapping screw IS P6x32.5
12	1124 080 1610	1	Shroud □ 13 - 17
13	0000 963 0808	2	Bushing
14	1124 967 1505	1	Model plate 088
15	1121 084 7000	1	Slotted nut
16	1121 084 6900	1	Insulator
17	1124 084 3000	1	Shim
18	0000 967 1593	1	Model plate Magnum
19	9022 371 1020	2	Spline screw IS M5x20
20	1118 145 9000	1	Plug (B)

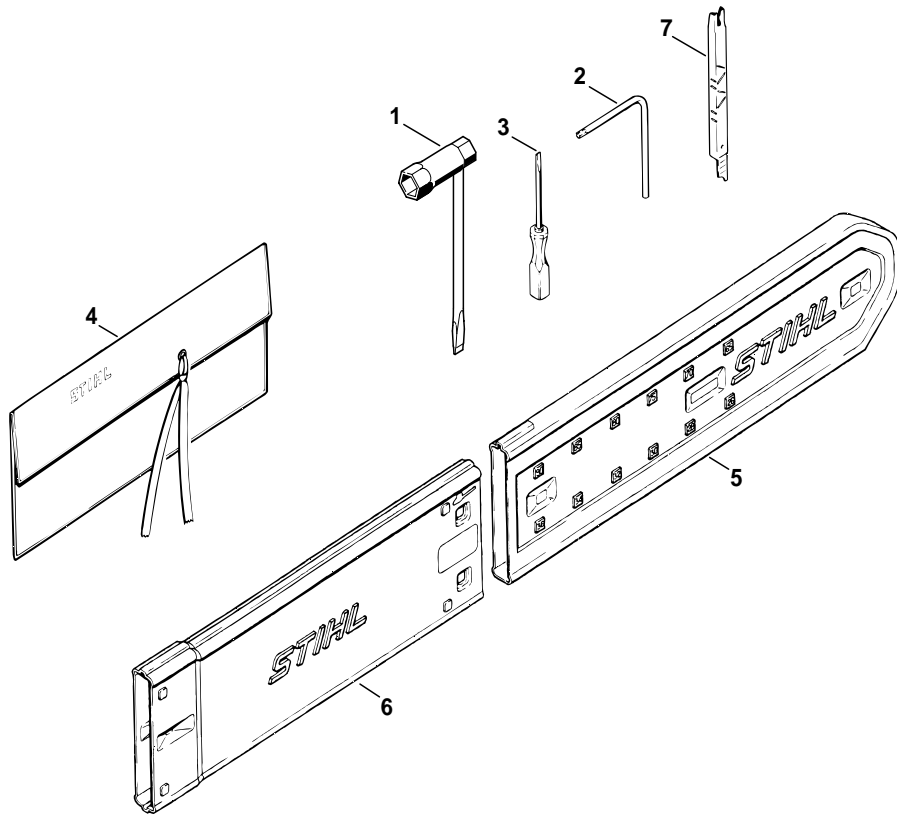
(1) 088, (2) 088 R

171ET028 GM



123ET043 SC

Ref. ID	Part Number	Qty.	Part Name
1	1124 660 2500	1	Helper's handle
2	1109 660 0600	1	Tensioning bolt
3	9380 620 1120	1	Roll pin 2x14
4	0000 958 2208	1	Washer
5	0000 997 0620	1	Compression spring
6	1109 660 0500	1	Tensioning nut
7	1109 790 2200	1	Front handle
8	1109 791 9000	2	Clamp
9	9007 319 1400	2	Hexagon head screw M6x40
10	9214 320 0900	2	Lock nut M6
	1124 007 1018	1	Chain guard kit 105cm / 42" □ 11 - 22
11	1109 650 8400	1	Support
12	9042 216 1400	1	Pan head screw M6x40
13	1401 668 8500	1	Spring bolt
14	0000 997 0901	2	Compression spring
15	0000 958 0600	1	Washer
16	9395 021 0790	1	Split pin 1.6x12
17	1124 656 8300	1	Support
18	1401 640 8000	1	Spring bolt
19	0000 961 1401	1	Ring
20	1401 648 8400	1	Push button
21	9008 319 1280	1	Hexagon head screw M6x16
22	1202 656 1000	1	Chain scabbard 105cm / 42"
	1124 007 1019	1	Chain guard kit 120cm / 48" □ 11 - 21, 23
23	1202 656 1001	1	Chain scabbard 120cm / 48"
	1124 007 1020	1	Chain guard kit 150cm / 59" □ 11 - 21, 24
24	1202 656 1002	1	Chain scabbard 150cm / 59"
25	1124 660 2650	1	Spacer
26	9008 319 2360	2	Hexagon head screw M10x20



Ref. ID	Part Number	Qty.	Part Name
	1121 890 1400	1	Tool kit □ 1 - 4
1	1129 890 3401	1	Combination wrench
2	0812 370 1000	1	Screwdriver T27x120x70
3	0000 890 2300	1	Screwdriver
4	0000 891 0801	1	Tool roll
5	0000 792 9130	1	Chain scabbard
6	0000 792 9133	1	Chain scabbard extension up to 90 cm
			Extras:
7	1110 893 4000	1	Filing gauge
	0751 010 1110	1	Lead 10m / 33' (A)
	1124 900 5001	1	STIHL repair kit ElastoStart (A)

171ET000 GM

not for reprint