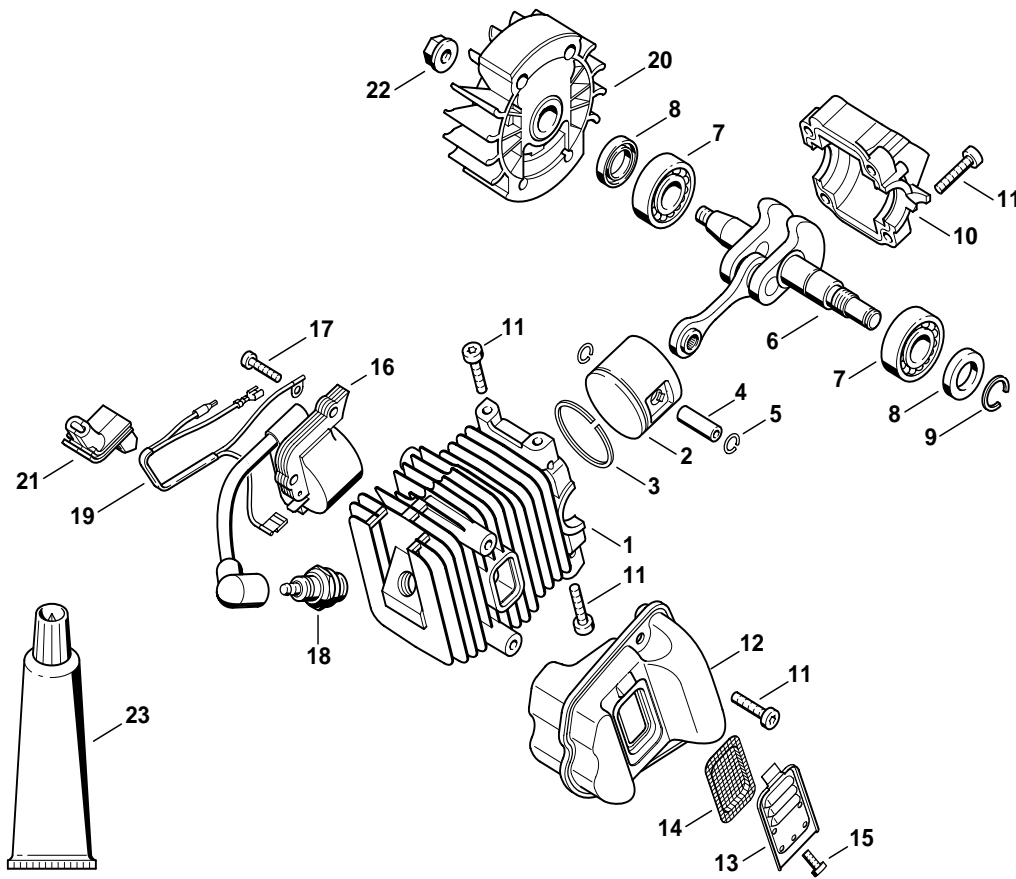

019 T (1132)

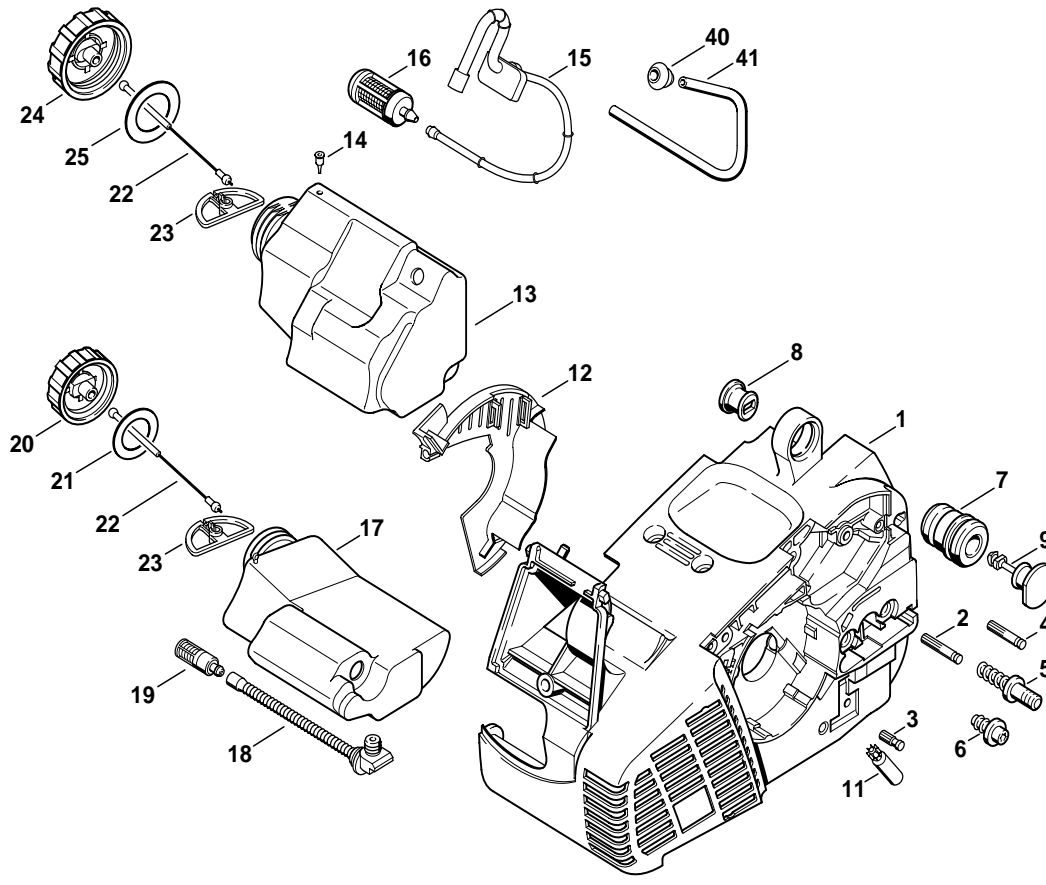
A	Cylinder with piston, Ignition system	2
B	Engine housing	3
C	Clutch, Chain sprocket	4
D	Chain sprocket cover	5
E	Fan housing	6
F	Handlebar	7
G	Air filter, Tools	8
H	Carburetor C1Q-S46A	9
J	Carburetor WT-451A	10

Online version - not for reprint



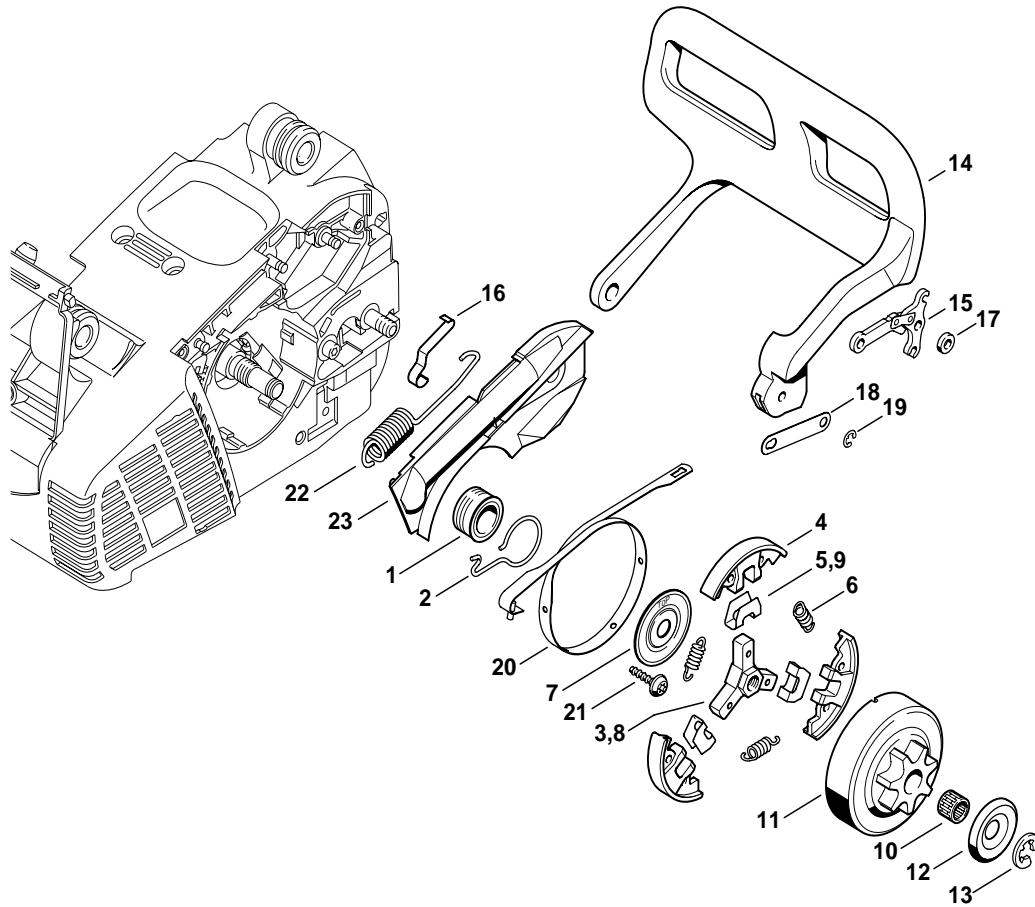
Ref. ID	Part Number	Qty.	Part Name
1	1132 020 1200	1	Cylinder with piston Ø 40mm □ 2 - 5, 11
2	1132 030 2000	1	Piston Ø 40mm □ 3 - 5
3	1132 034 3000	1	Piston ring Ø 40x1.5mm
4	1130 034 1500	1	Piston pin
5	9463 650 0805	2	Snap ring 8x0.7
6	1132 030 0401	1	Crankshaft
7	9503 003 0311	2	Grooved ball bearing 6002
8	9638 003 1581	2	Oil seal 15x25x5 (24.96)
8	9639 003 1585	2	Oil seal 15x25x5 (24.96)
9	9468 621 1520	1	Circlip 15x1
10	1132 021 2505	1	Engine pan
11	9075 478 4159	10	Pan head self-tapping screw IS D5x24
12	1132 140 0600	1	Muffler □ 13 - 15
13	1132 145 0600	1	Cover plate
14	1132 141 9000	1	Screen
15	9099 021 0810	1	Self-tapping screw 4.2x9.5
16	1132 400 1300	1	Ignition module
17	9075 478 3022	2	Pan head self-tapping screw IS D4x20
18	1110 400 7005	1	Spark plug Bosch WSR 6 F
18	0000 400 7000	1	Spark plug NGK BPMR7A
19	1132 440 3000	1	Wiring harness
20	1130 400 1200	1	Flywheel
21	1132 442 9001	1	Grommet
22	0000 955 0802	1	Collar nut M8x1
23	0783 830 2000	1	Tube of sealant Dirko HT red

170ET024 SC



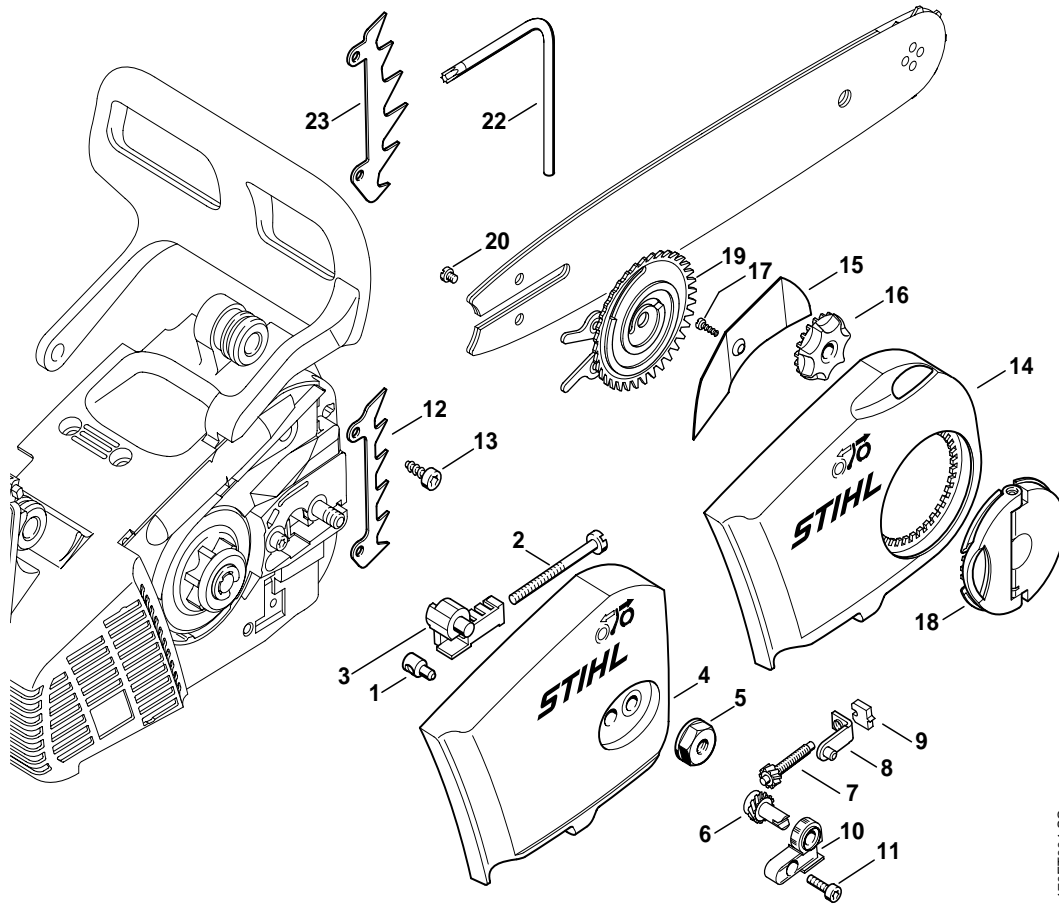
170ET018 GM

Ref. ID	Part Number	Qty.	Part Name
1	1132 020 3050	1	Engine housing □ 2 - 6
2	1123 162 5205	1	Pin
3	1120 162 5200	1	Pin
4	1123 162 5200	1	Pin
5	1123 664 2400	1	Collar screw
6	1123 664 2402	1	Collar screw
7	1123 791 2800	2	Annular buffer AV system normal: AV system hard:
7	1127 791 2800	2	Annular buffer
8	1132 791 7310	2	Plug
9	1132 791 7300	2	Plug
11	1123 640 3200	1	Oil pump 0.55
12	1132 182 5501	1	Cover
13	1132 350 0400	1	Fuel tank □ 14, 15
14	0747 313 6810	1	Valve
15	1132 358 7700	1	Hose
16	0000 350 3502	1	Pickup body
17	1132 350 4400	1	Oil tank
18	1132 647 9400	1	Hose
19	1123 640 3800	1	Pickup body
20	1132 350 0500	1	Filler cap □ 21 - 23
21	0000 359 1201	1	Sealing ring
22	4226 350 0900	1	Rope
23	0000 353 0605	1	Hook
24	1130 350 0500	1	Filler cap □ 22 - 25
25	0000 359 1240	1	Sealing ring
40	* 0000 989 0516	1	Grommet (43.1999)
41	* 4205 141 8601	1	Hose 325mm / 12 13/16" (43.1999)



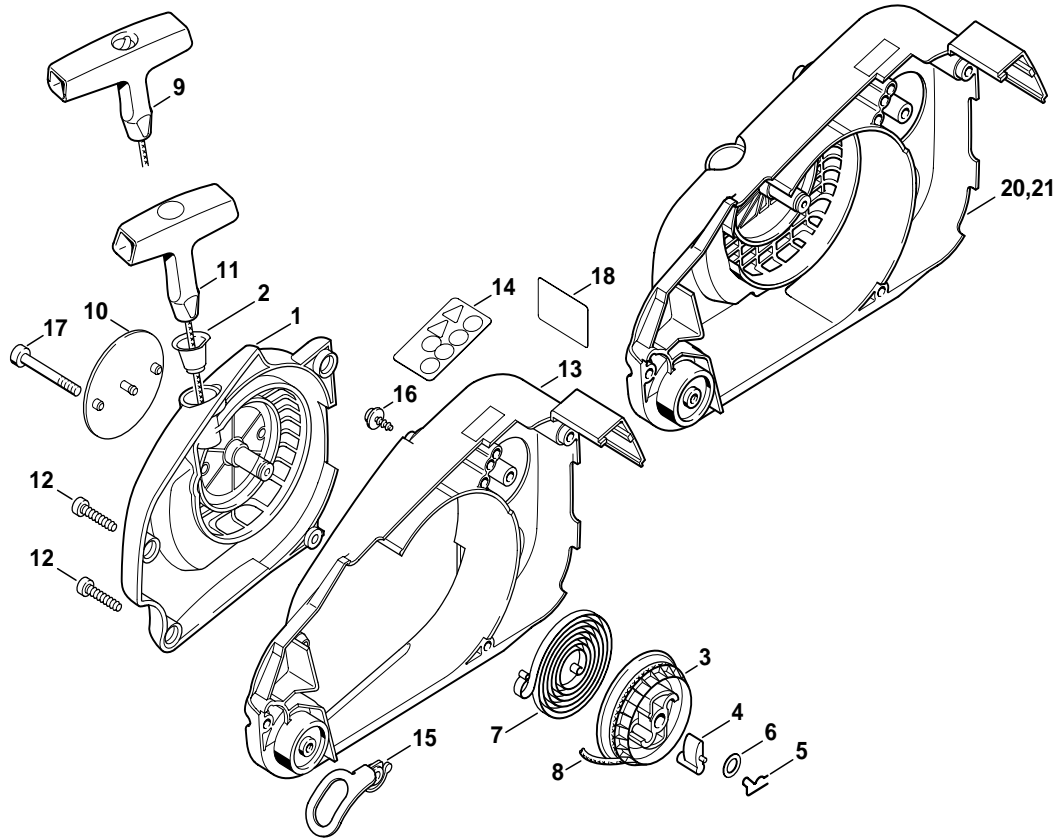
170ET028 SC

Ref. ID	Part Number	Qty.	Part Name
1	1123 640 7105	1	Worm □ 2
2	1123 647 2400	1	Spring
	1123 160 2050	1	Clutch □ 3 - 7
3	1121 162 3201	1	Carrier
4	1129 162 0800	3	Clutch shoe
5	1127 162 3000	3	Retainer
6	0000 997 5515	3	Tension spring
7	1121 162 1001	1	Cover washer
8 *	1121 162 3205	1	Carrier
9 *	1121 162 3000	3	Retainer
10	9512 933 2260	1	Needle cage 10x13x10
11	1123 640 2000	1	Chain sprocket 3/8" Picco 7T
11	1123 640 2005	1	Chain sprocket 3/8" Picco 6T (B)
11	1123 640 2010	1	Chain sprocket 1/4" 8T (B)
12	0000 958 1022	1	Washer Ø 27mm
13	9460 624 0801	1	E-clip 8x1.3
14	1132 792 9100	1	Hand guard
15	1128 160 5000	1	Lever
16	1123 162 7800	1	Flat spring
17	0000 958 0521	1	Washer
18	1123 162 5800	1	Strap
19	9460 624 0400	1	E-clip 4
20	1132 160 5400	1	Brake band
21	9104 003 3005	1	Self-tapping screw P4x20
22	1123 162 7900	1	Tension spring
23	1132 021 1101	1	Cover



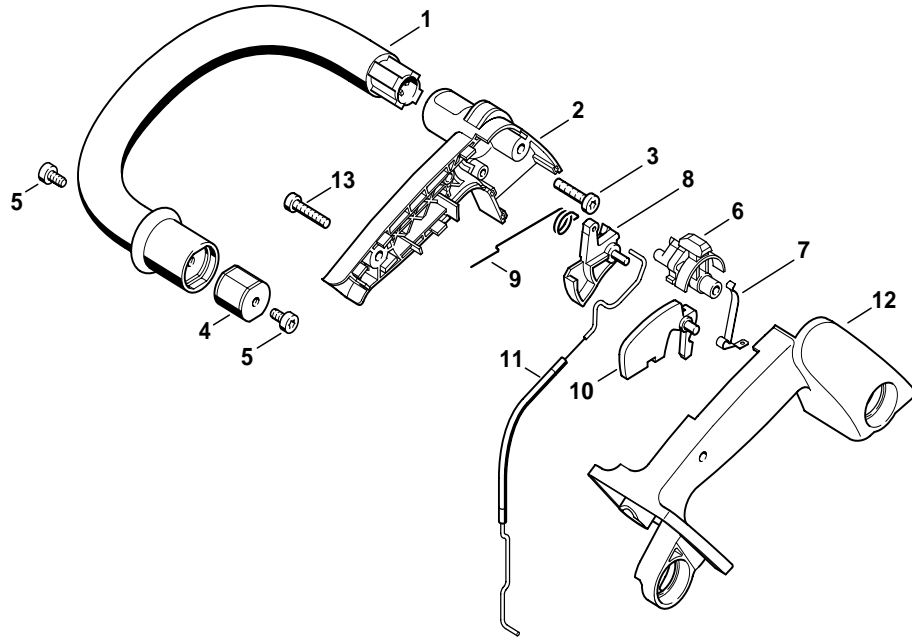
Ref. ID	Part Number	Qty.	Part Name
1	1120 664 1500	1	Tensioning nut
2	1123 664 1605	1	Adjusting screw
3	1123 664 2205	1	Cover
4	1132 640 1706	1	Chain sprocket cover
5	0000 955 0801	1	Collar nut M8
	1123 007 1000	1	Chain tensioner kit (B)
			□ 6 - 11
	1123 007 1004	1	Spur gear / chain adjusting screw kit
			□ 6, 7
6		1	Spur gear (D)
7		1	Adjusting screw (D)
8	1123 640 1900	1	Tensioner slide
9	1123 664 1400	1	Thrust pad
10	1123 664 2200	1	Cover
11	9075 478 3015	1	Pan head self-tapping screw IS D4x15
12	1129 664 0500	1	Bumper spike
13	9075 478 4115	2	Pan head self-tapping screw IS D5x16
	1132 007 1000	1	Quick tensioner parts (B)
			□ 14 - 23
14	1132 640 1700	1	Chain sprocket cover
			□ 15 - 17
15	1132 648 3800	1	Cover plate
16	1123 648 2200	1	Adjusting wheel
17	9076 478 2996	1	Pan head self-tapping screw P4x12
18	1121 660 1000	1	Wing nut
19	1123 660 3000	1	Tensioning gear
			□ 20
20	9041 319 0600	1	Pan head screw M4x5
22	0812 370 1000	1	Screwdriver T27x120x70
23	1123 664 0501	1	Bumper spike

170ET004 SC



Ref. ID	Part Number	Qty.	Part Name
	1132 080 2800	1	Fan cover with rewind starter □ 1 - 10
1	1132 080 3100	1	Fan cover □ 2
2	1110 084 9102	1	Bushing
3	1123 195 0400	1	Rope rotor
4	1125 195 7200	1	Pawl
5	1118 195 3500	1	Spring
6	0000 958 0923	1	Washer
7	1129 190 0601	1	Rewind spring
8	0000 195 8200	1	Starter rope Ø 3x800mm
	0000 930 2208	1	Starter rope Ø 3mm x 30.5m (B)
9	1121 195 3400	1	Starter grip
10	1132 967 1500	1	Model plate 019 T
11	0000 190 3402	1	Starter grip ElastoStart (B) □ 8
12	9075 478 4155	5	Pan head self-tapping screw IS D5x24
13	1132 084 1003	1	Fan housing
14	1129 967 3403	1	Instruction label
15	1132 350 7000	1	Hook
16	9104 003 3002	1	Self-tapping screw P4x12
17	9075 478 4260	1	Pan head self-tapping screw IS D5x55
18	0000 967 3692	1	Instruction label
	* 1132 080 2100	1	Fan housing with rewind starter ➔ X 36 566 423 (51.97, 21.97 - USA) □ 2 - 9, 20
20	* 1132 080 1800	1	Fan housing ➔ X 36 566 423 (51.97, 21.97 - USA) □ 2
21	* 1132 080 1801	1	Fan housing (43.1999) □ 2

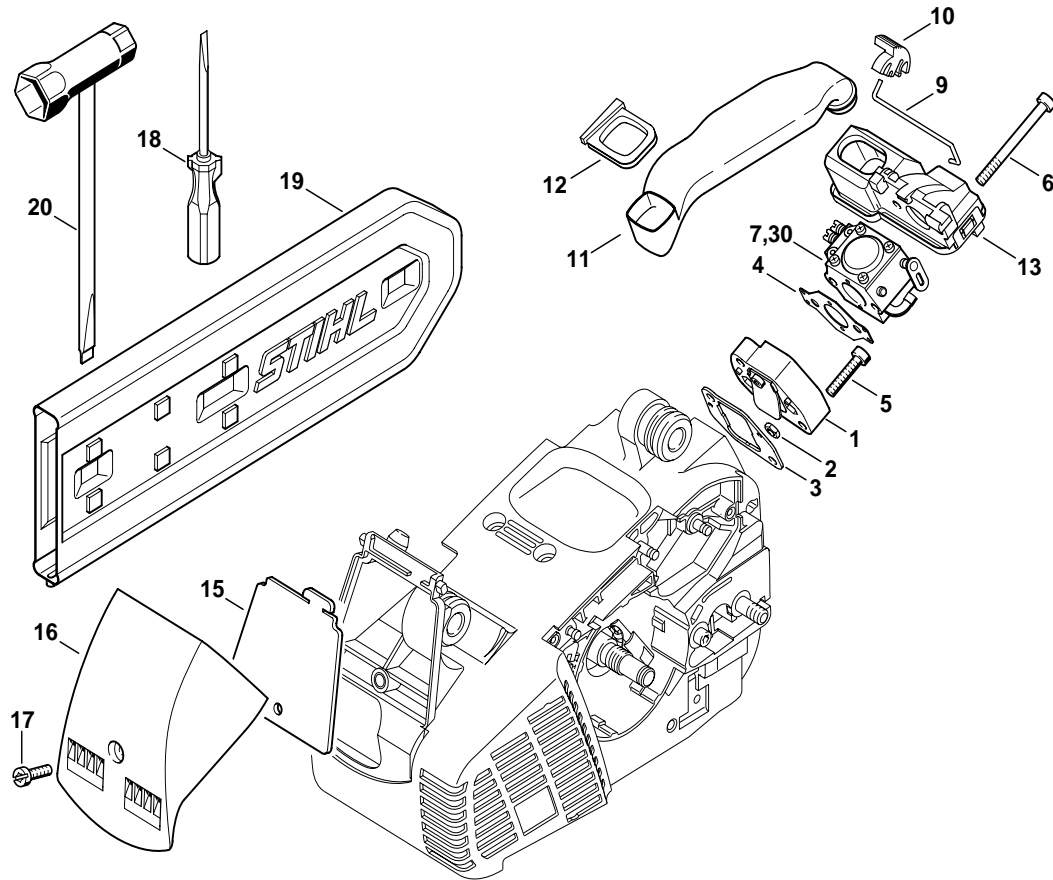
170ET027 GM



Ref. ID	Part Number	Qty.	Part Name
1	1132 791 1700	1	Handlebar
2	1132 791 0600	1	Handle molding
3	9075 478 4155	1	Pan head self-tapping screw IS D5x24
4	1120 790 9600	1	Annular buffer
5	9022 341 0950	2	Spline screw IS M5x10
6	1132 182 0900	1	Switch shaft
7	1129 442 1600	1	Contact spring
8	1132 180 1500	1	Throttle trigger
9	1117 182 4500	1	Torsion spring
10	1129 182 0800	1	Trigger interlock
11	1132 180 1100	1	Throttle cable
12	1132 791 1000	1	Handle housing
13	9075 478 4155	2	Pan head self-tapping screw IS D5x24

170ET020 GM

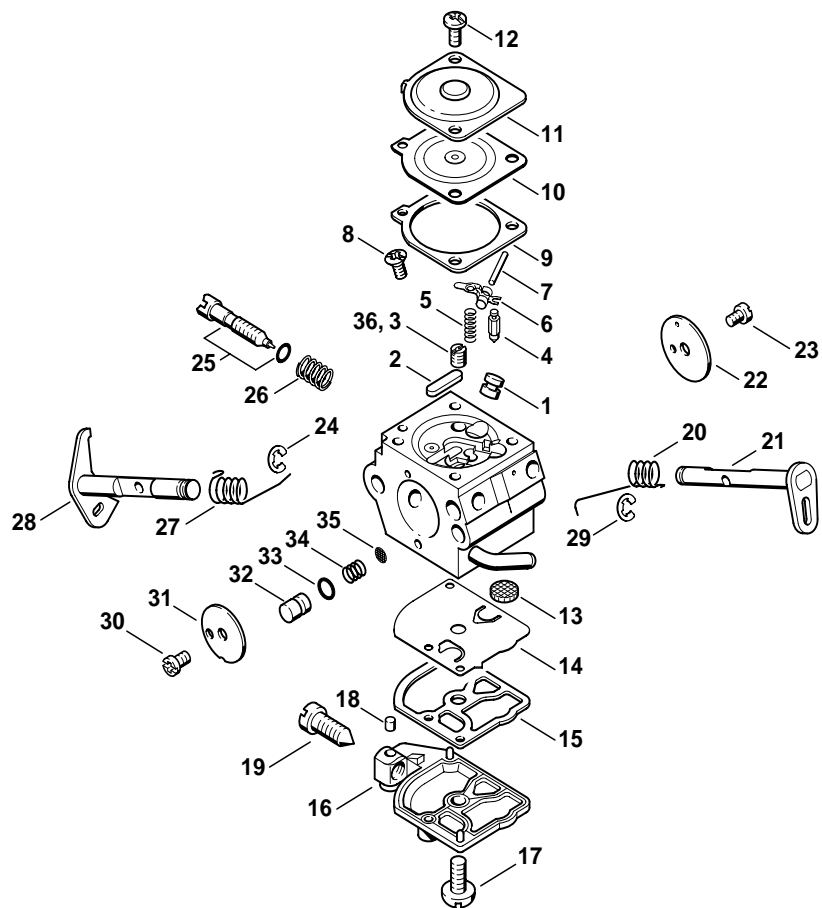
not for reprint



Ref. ID	Part Number	Qty.	Part Name
1	1132 120 4700	1	Diaphragm
2	9210 260 0700	2	Hexagon nut M5
3	1132 129 0900	1	Gasket
4	1132 129 0910	1	Gasket
5	9075 478 4155	2	Pan head self-tapping screw IS D5x24
6	9022 341 1110	2	Spline screw IS M5x52
7	1132 120 0603	1	Carburetor C1Q-S46A
9	1132 180 2500	1	Choke rod □ 10
10		1	Lever (D)
11	1132 122 4101	1	Intake pipe
12	1132 122 7000	1	Grommet
13	1132 120 3800	1	Intake casing
15	1132 124 0800	1	Filter plate
16	1132 141 0501	1	Filter cover
17	0000 951 1101	1	Screw M5x18
18	0000 890 2300	1	Screwdriver
19	0000 792 9128	1	Chain scabbard
20	1129 890 3401	1	Combination wrench (B)
30 *	1132 120 0600	1	Carburetor WT-451A (C) → X 36 566 423 (51.97)

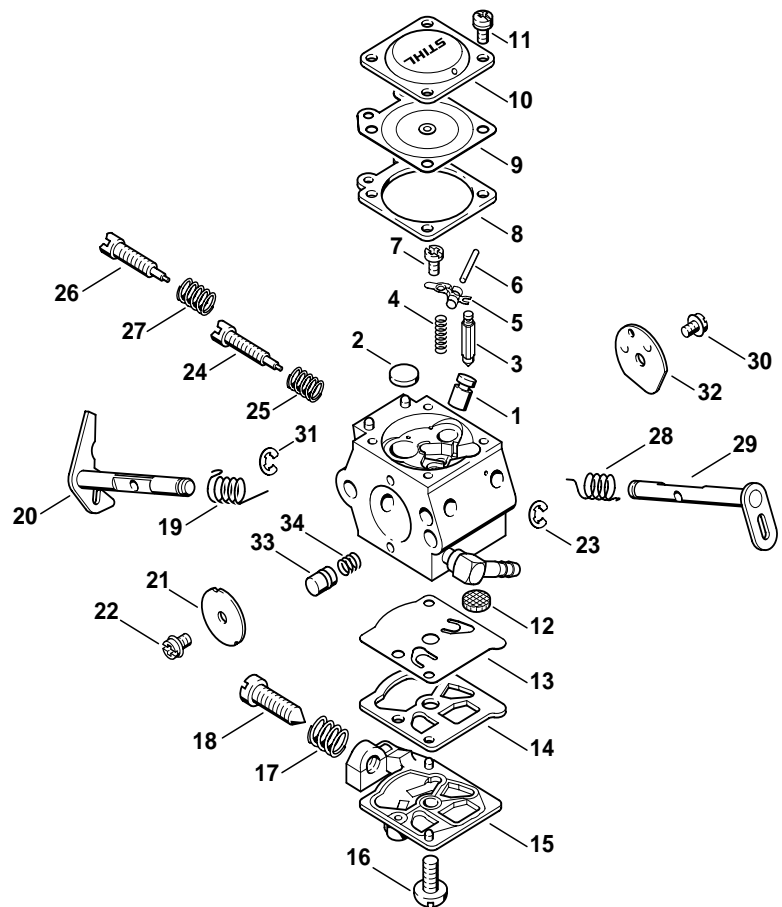
170ET026 GM

not for reprint



170ET013 SC

Ref. ID	Part Number	Qty.	Part Name
	1132 120 0603	1	Carburetor C1Q-S46A □ 1 - 35
1	1132 121 5400	1	Valve jet
2	4226 121 0700	1	Cup plug
3	1132 121 5600	1	Fixed jet 0.48
4	4116 121 5100	1	Inlet needle
5	1120 122 3004	1	Spring
6	1125 121 5000	1	Inlet control lever
7	1120 121 9200	1	Spindle
8	1120 122 6600	1	Collar screw
9	1123 129 0901	1	Gasket
10	1123 121 4700	1	Metering diaphragm
11	1123 121 0801	1	End cover
12	4132 122 6600	2	Collar screw
13	1123 121 7800	1	Strainer
14	1129 121 4800	1	Pump diaphragm
15	1123 129 0905	1	Gasket
16	1123 121 0800	1	End cover
17	1120 122 7800	1	Oval head screw
18	1125 122 4200	1	Ball
19	1123 122 6200	1	Idle speed adjustment screw
20	1123 122 3200	1	Torsion spring
21	1132 120 7201	1	Choke shaft with lever
22	1132 121 2901	1	Choke shutter
23	1125 122 7403	1	Round head screw
24	1125 122 9002	1	E-clip
25	1132 122 6801	1	Low speed adjustment screw
26	1120 122 3005	1	Spring
27	1123 122 3000	1	Spring
28	1132 120 7101	1	Throttle shaft with lever
29	1125 122 9001	1	E-clip
30	1120 122 7400	1	Round head screw
31	1132 121 3300	1	Throttle shutter
32	1132 121 5800	1	Pump piston
33	1132 122 3600	1	Sealing ring
34	1132 122 3001	1	Spring
35	1132 121 7800	1	Strainer
36	1132 121 5640	1	Fixed jet 0.40 High altitude (B)
	1123 007 1060	1	Set of carburetor parts □ 9, 10, 14, 15



170ET007 SC

Ref. ID	Part Number	Qty.	Part Name
*			Carburetor WT-451A (C) → X 36 566 423 (51.97)
		□ 1 - 34	
1	* 1115 121 5401	1	Valve jet
2	* 4117 122 9402	1	Plug
3	* 4116 121 5100	1	Inlet needle
4	* 1120 122 3001	1	Spring
5	* 1113 121 5000	1	Inlet control lever
6	* 1113 121 9200	1	Spindle
7	* 1114 122 7400	1	Round head screw
8	* 1120 129 0900	1	Gasket
9	* 1113 121 4705	1	Metering diaphragm
10	* 1113 121 0800	1	End cover
11	* 1106 122 7400	1	Round head screw
12	* 1114 121 7800	1	Strainer
13	* 1121 121 4801	1	Pump diaphragm
14	* 1120 129 0905	1	Gasket
15	* 1123 121 0802	1	End cover
16	* 1114 122 7100	1	Screw
17	* 4117 122 3006	1	Spring
18	* 4117 122 6200	1	Idle speed adjustment screw
19	* 1113 122 3205	1	Torsion spring
20	* 1132 120 7100	1	Throttle shaft with lever
21	* 1123 121 3301	1	Throttle shutter
22	* 1115 122 7400	1	Round head screw
23	* 1117 122 9000	1	E-clip
24	* 1132 122 6800	1	Low speed adjustment screw
25	* 1115 122 3002	1	Spring
26	* 1132 122 6700	1	High speed adjustment screw
27	* 4117 122 3007	1	Spring
28	* 1123 122 3201	1	Torsion spring
29	* 1132 120 7200	1	Choke shaft with lever
30	* 1110 122 7400	1	Round head screw
31	* 1123 122 9000	1	E-clip
32	* 1130 121 2900	1	Choke shutter
33	* 4126 121 5800	1	Pump piston
34	* 1132 122 3000	1	Spring
*	* 1123 007 1061	1	Set of carburetor parts
		□ 8, 9, 13, 14	