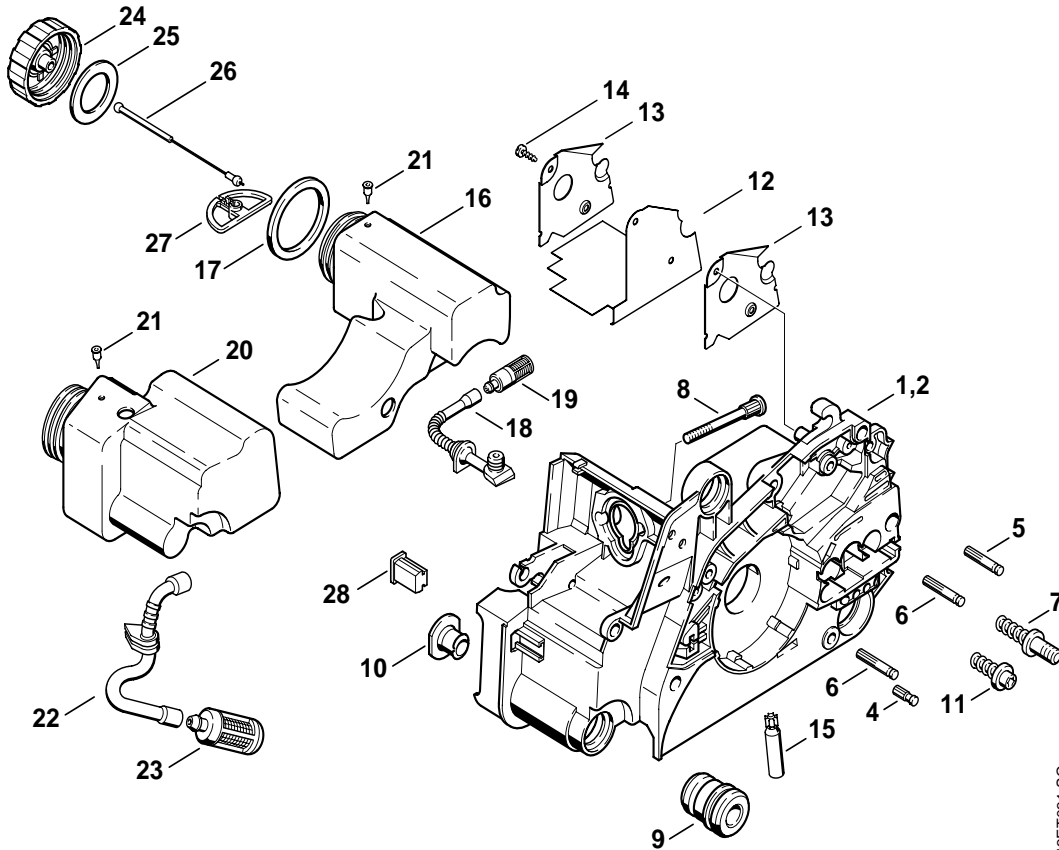

018 (1130)

A	Engine housing	2
B	Cylinder	3
C	Muffler	4
D	Rewind starter, Ignition system	5
E	Chain brake	6
F	Quick tensioner parts	7
G	Air filter, Cover	8
H	Handle frame, Tools	9
J	Carburetor C1Q-S57A	10
K	Carburetor C1Q-S43B	11

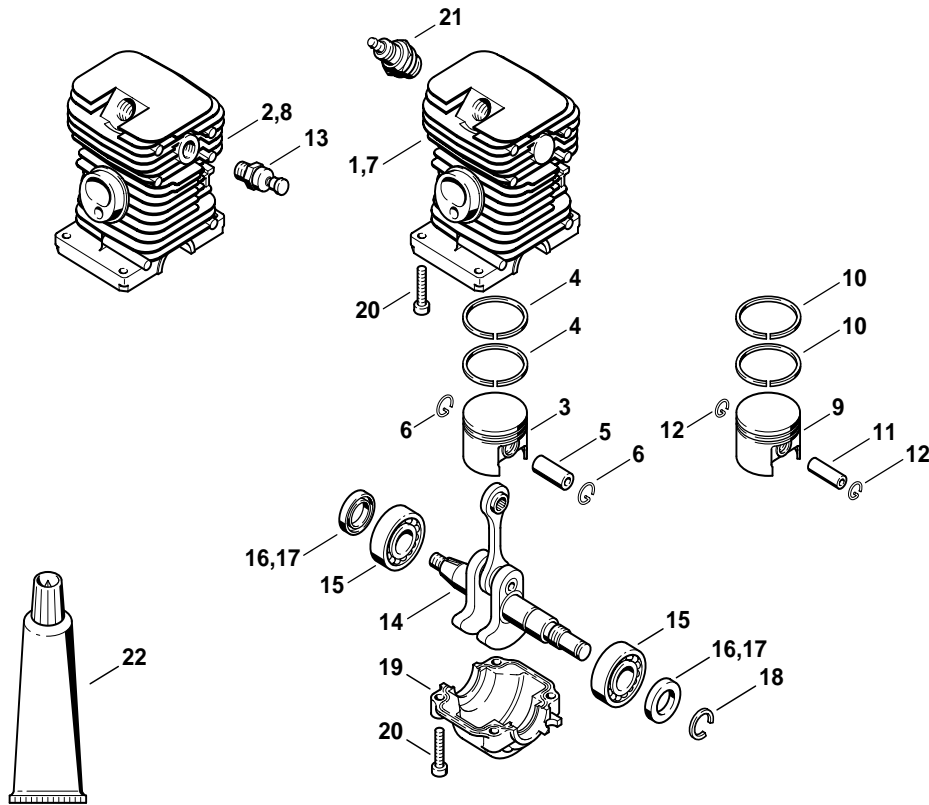
Online version - not for reprint



Ref. ID	Part Number	Qty.	Part Name
1	1130 020 3002	1	Engine housing (1) □ 4 - 10
2	1130 020 3011	1	Engine housing (2) □ 4 - 14
4	1120 162 5200	1	Pin
5	1123 162 5200	1	Pin
6	1123 162 5205	2	Pin
7	1123 664 2400	2	Collar screw (1)
7	1123 664 2400	1	Collar screw (2)
8	1121 122 6600	2	Collar screw
9	1123 791 2800	2	Annular buffer
10	1123 791 7300	2	Plug
11	1123 664 2402	1	Collar screw (2)
12	1130 084 8303	1	Reflector foil Cat. (2)
13	1130 145 3400	2	Heat shield Cat. (2)
14	9104 003 8600	2	Self-tapping screw P3x10 Cat. (2)
15	1123 640 3200	1	Oil pump 0.55
16	1130 350 4400	1	Oil tank □ 17 - 19, 21
17	0000 359 1241	1	Sealing ring
18	1130 647 9400	1	Hose
19	1123 640 3800	1	Pickup body
20	1130 350 0400	1	Fuel tank □ 21, 22
21	0747 313 6810	2	Valve
22	1130 358 7700	1	Hose
23	0000 350 3500	1	Pickup body
24	1130 350 0500	2	Filler cap □ 25 - 27
25	0000 359 1240	2	Sealing ring
26	4226 350 0900	2	Rope
27	0000 353 0605	2	Hook
28	1130 791 5900	1	Stop buffer

143ET031 SC

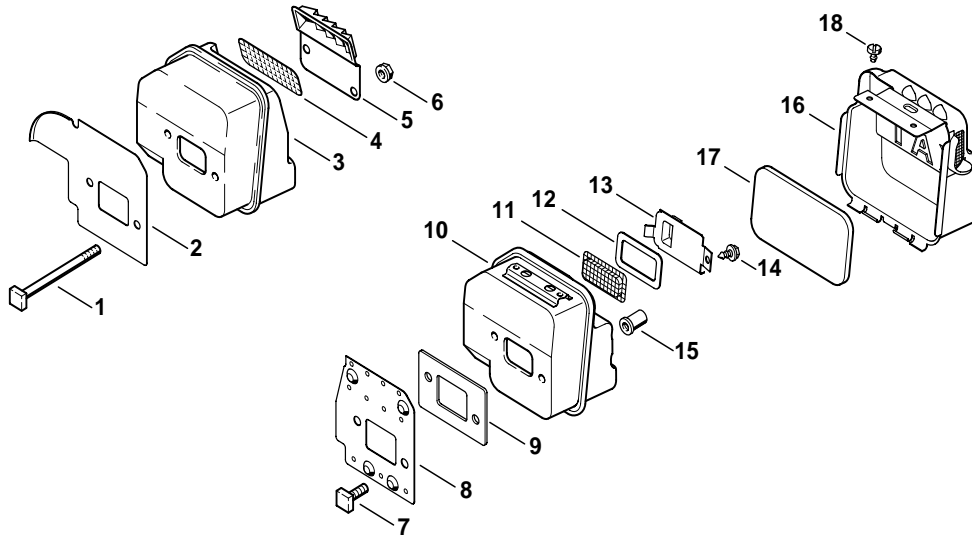
(1) 018 , (2) 018 C



Ref. ID	Part Number	Qty.	Part Name
1	1130 020 1205	1	Cylinder with piston Ø 38mm (1) □ 3 - 6
2	1130 020 1206	1	Cylinder with piston Ø 38mm (2) □ 3 - 6, 13
3	1130 030 2004	1	Piston Ø 38mm □ 4 - 6
4	1130 034 3002	2	Piston ring Ø 38x1.2mm
5	1132 034 1501	1	Piston pin
6	9463 650 1000	2	Snap ring 10
7	* 1130 020 1203	1	Cylinder with piston Ø 38mm (1) → 2 46 534 710 (06.2000) □ 9 - 12
8	* 1130 020 1201	1	Cylinder with piston Ø 38mm (2) → 2 46 534 710 (06.2000) □ 9 - 13
9	* 1130 030 2003	1	Piston Ø 38mm → 2 46 534 710 (06.2000) □ 10 - 12
10	* 1130 034 3002	2	Piston ring Ø 38x1.2mm → 2 46 534 710 (06.2000)
11	* 1130 034 1500	1	Piston pin → 2 46 534 710 (06.2000)
12	* 9463 650 0807	2	Snap ring 8x0.7 → 2 46 534 710 (06.2000)
13	1123 020 9400	1	Decompression valve (2)
14	1132 030 0402	1	Crankshaft
15	9503 003 0311	2	Grooved ball bearing 6002
16	9638 003 1581	2	Oil seal 15x25x5 (24.96)
17	9639 003 1585	2	Oil seal 15x25x5 (24.96)
18	9468 621 1520	1	Circlip 15x1
19	1130 021 2505	1	Engine pan
20	9075 478 4159	8	Pan head self-tapping screw IS D5x24
21	1110 400 7005	1	Spark plug Bosch WSR 6 F
22	0783 830 2000	1	Tube of sealant Dirko HT red

140ET010.SC

(1) 018 , (2) 018 C

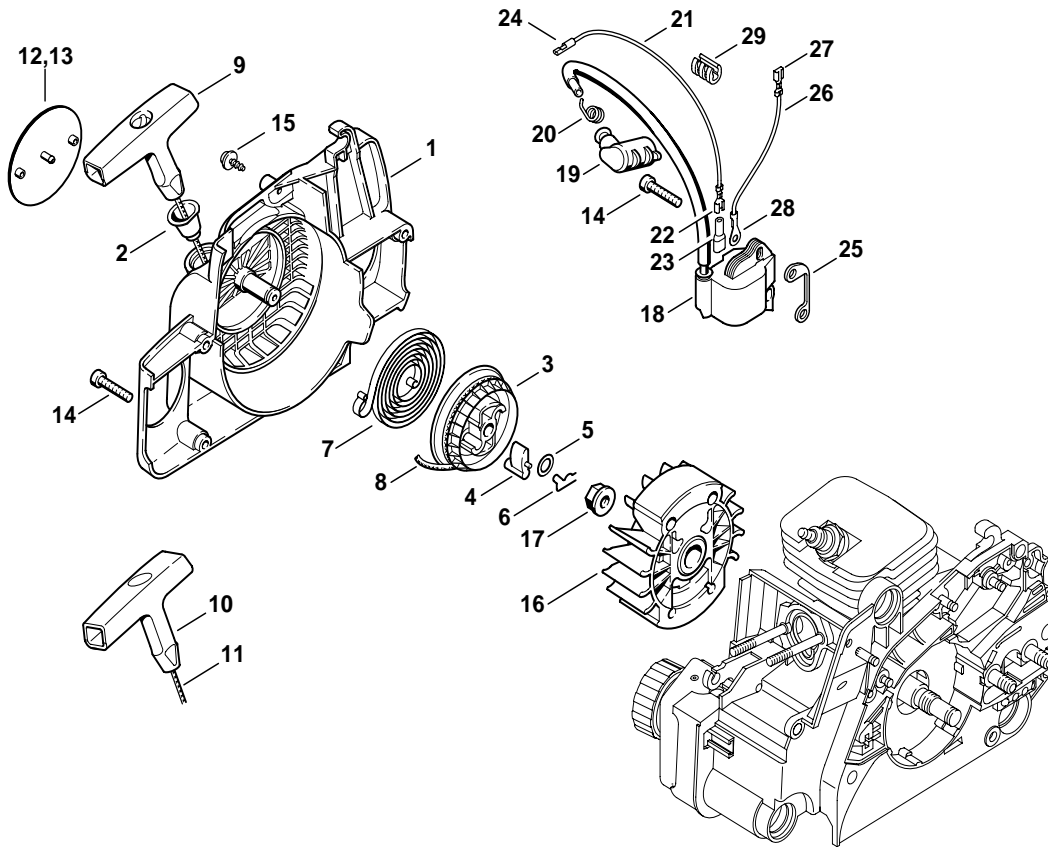


Ref. ID	Part Number	Qty.	Part Name
1	1123 148 1201	2	Screw M5x65
2	1130 141 3200	1	Cooling plate
3	1130 140 0600	1	Muffler
4	1130 141 9000	1	Screen
5	1130 145 2900	1	Cover
6	9216 261 0700	2	Hexagon nut M5
7	0000 148 1200	2	Screw M5x15 Cat. (2)
8	1130 141 3201	1	Cooling plate Cat. (2)
9	1130 149 0601	1	Exhaust gasket Cat. (2)
10	1130 140 0604	1	Muffler Cat. (2)
			□ 11 - 18
11	1130 141 9001	1	Screen Cat. (2)
12	1130 149 0600	1	Exhaust gasket Cat. (2)
13	1130 146 7400	1	Deflecting plate Cat. (2)
14	9099 021 0805	1	Self-tapping screw 4.2x6.5 Cat. (2)
15	0000 148 2000	2	Nut Cat. (2)
16	1130 140 0500	1	Protecting shell Cat. (2)
			□ 17
17	1130 146 9000	1	Insulating pad Cat. (2)
18	9099 021 0805	2	Self-tapping screw 4.2x6.5 Cat. (2)

(1) 018 , (2) 018 C

140ET011 SC

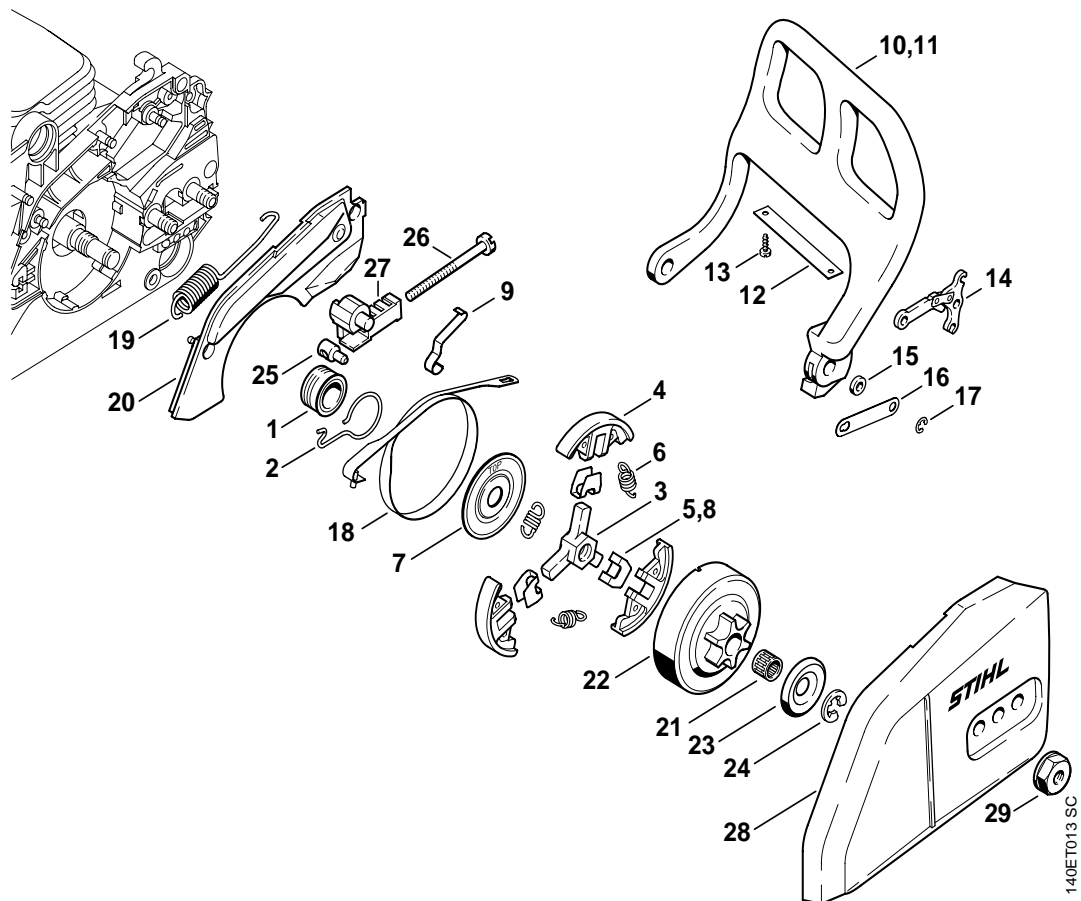
not for reprint



140ET012.SC

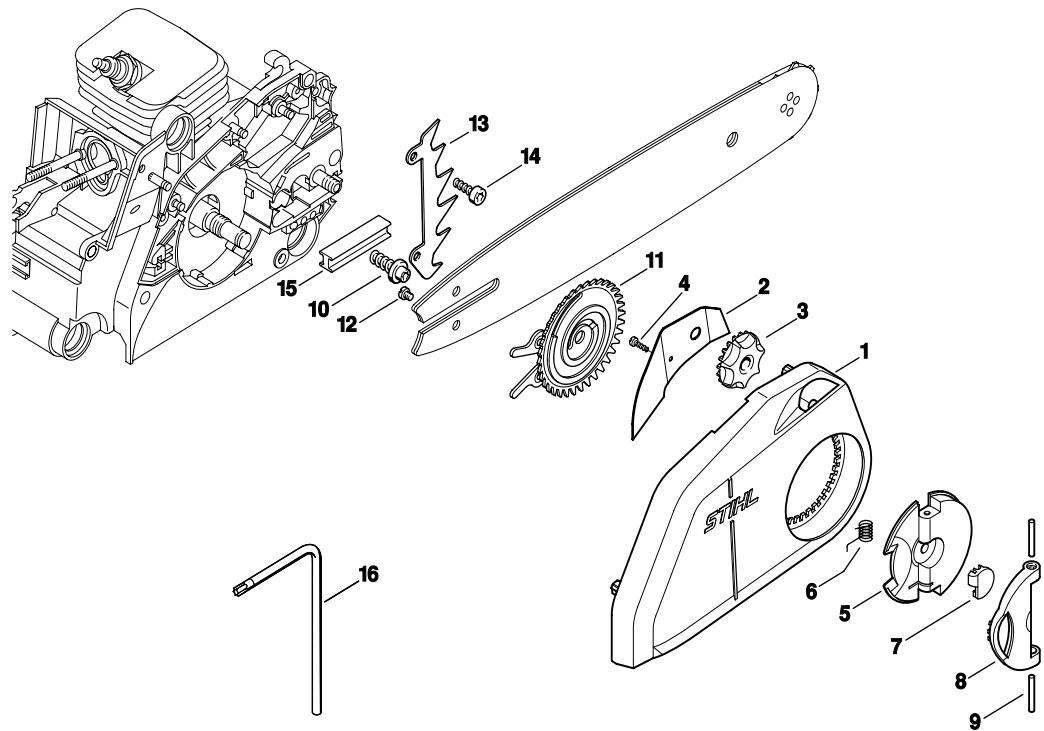
Ref. ID	Part Number	Qty.	Part Name
	1130 080 2100	1	Fan housing with rewind starter (1) □ 1 - 9, 12
	1130 080 2105	1	Fan housing with rewind starter (2) □ 1 - 7, 10, 11, 13
1	1130 080 1800	1	Fan housing □ 2, 12, 13
2	1110 084 9102	1	Bushing
3	1123 195 0400	1	Rope rotor
4	1125 195 7200	1	Pawl
5	0000 958 0923	1	Washer
6	1118 195 3500	1	Spring
7	1129 190 0601	1	Rewind spring
8	0000 195 8200	1	Starter rope Ø 3x800mm (1)
9	1121 195 3400	1	Starter grip (1)
10	0000 190 3402	1	Starter grip ElastoStart (2) □ 11
11	0000 195 8200	1	Starter rope Ø 3x800mm (2)
12	1130 967 1501	1	Model plate 018
13	1130 967 1502	1	Model plate 018 C
14	9075 478 4155	5	Pan head self-tapping screw IS D5x24
15	9104 003 3002	1	Self-tapping screw P4x12
16	1130 400 1201	1	Flywheel
17	0000 955 0802	1	Collar nut M8x1
18	1130 400 1302	1	Ignition module □ 19, 20
19	1128 405 1000	1	Spark plug boot
20	0000 998 0604	1	Torsion spring
21	1130 440 1101	1	Short circuit wire □ 22 - 24
22	0751 030 8967	1	Terminal socket 4.8-1
23	0751 030 8467	1	Grommet
24	0751 030 8490	1	Terminal socket 3.5
25	1130 405 8000	2	Insulator
26	1130 440 2201	1	Ground wire 125mm / 4 15/16" □ 27, 28
27	0751 030 8953	1	Terminal socket 4.8-1
28	0751 030 8969	1	Terminal socket A5-1.5
29	1130 448 1201	1	Lead retainer

(1) 018 , (2) 018 C



Ref. ID	Part Number	Qty.	Part Name
1	1123 640 7105	1	Worm □ 2
2	1123 647 2400	1	Spring
3	1123 160 2050	1	Clutch □ 4 - 7
4	1129 162 0800	3	Clutch shoe
5	1127 162 3000	3	Retainer
6	0000 997 5515	3	Tension spring
7	1121 162 1001	1	Cover washer
8 *	1121 162 3000	3	Retainer (35.2000)
9	1123 162 7800	1	Flat spring
10	1130 792 9100	1	Hand guard
11	1130 790 9100	1	Hand guard Cat. (2) □ 12, 13
12	1130 145 0600	1	Heat shield Cat. (2)
13	9104 003 8600	2	Self-tapping screw P3x10 Cat. (2)
14	1128 160 5000	1	Lever
15	0000 958 0521	1	Washer
16	1123 162 5800	1	Strap
17	9460 624 0400	1	E-clip 4
18	1123 160 5400	1	Brake band
19	1123 162 7900	1	Tension spring
20	1130 021 1100	1	Cover
21	9512 933 2260	1	Needle cage 10x13x10
22	1123 640 2005	1	Chain sprocket 3/8" Picco 6T
23	0000 958 1022	1	Washer Ø 27mm
24	9460 624 0801	1	E-clip 8x1.3
25	1120 664 1500	1	Tensioning nut
26	1123 664 1605	1	Adjusting screw
27	1123 664 2205	1	Cover
28	1123 640 1705	1	Chain sprocket cover
29	0000 955 0804	2	Collar nut M8

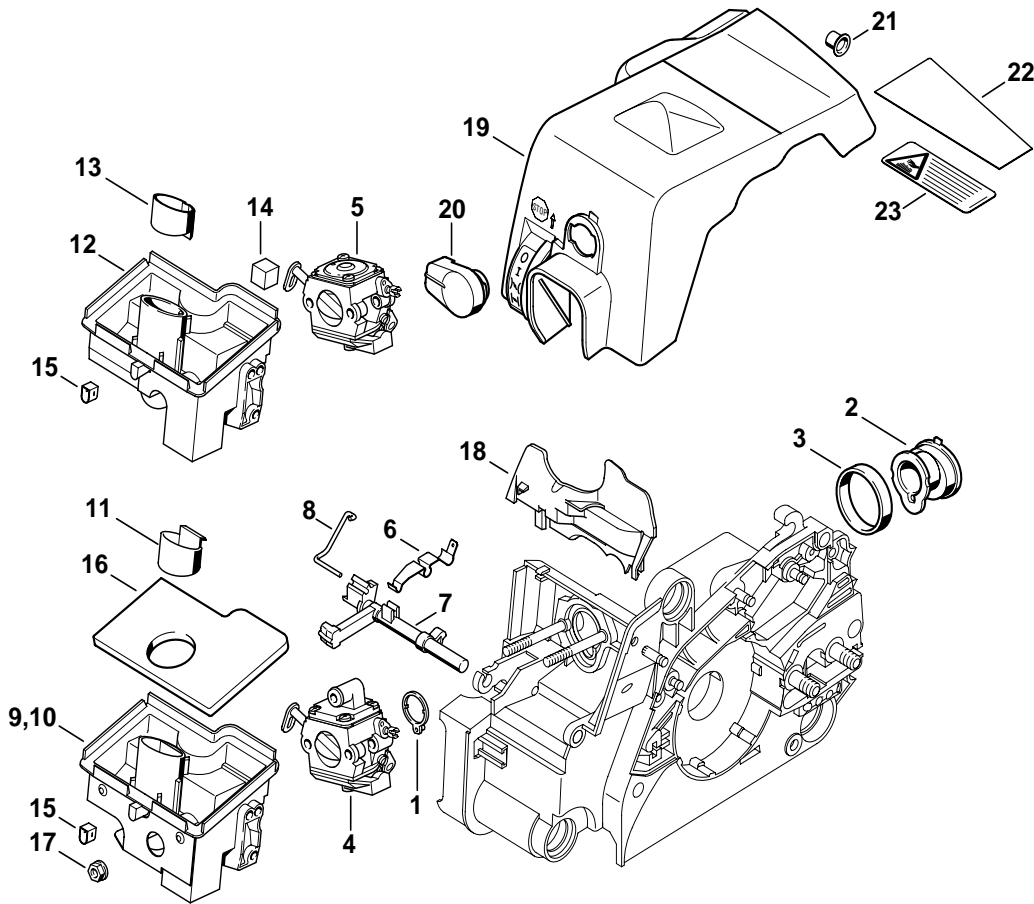
(1) 018 , (2) 018 C



Ref. ID	Part Number	Qty.	Part Name
	1123 007 1008	1	Quick tensioner parts (B) □ 1 - 16
1	1123 640 1700	1	Chain sprocket cover □ 2 - 4
2	1123 648 3800	1	Cover plate
3	1123 648 2200	1	Adjusting wheel
4	9104 003 8600	1	Self-tapping screw P3x10
5	1121 660 1000	1	Wing nut □ 6 - 9
6		1	Torsion spring (D)
7		1	Cap (D)
8		1	Handle (D)
9		2	Cylindrical pin 3m6x26 (D)
10	1123 664 2402	1	Collar screw
11	1123 660 3000	1	Tensioning gear □ 12
12	9041 319 0600	1	Pan head screw M4x5
13	1123 664 0501	1	Bumper spike
14	9075 478 4115	2	Pan head self-tapping screw IS D5x16
15	1123 021 2800	1	Insert
16	0812 370 1000	1	Screwdriver T27x120x70

143ET007 SC

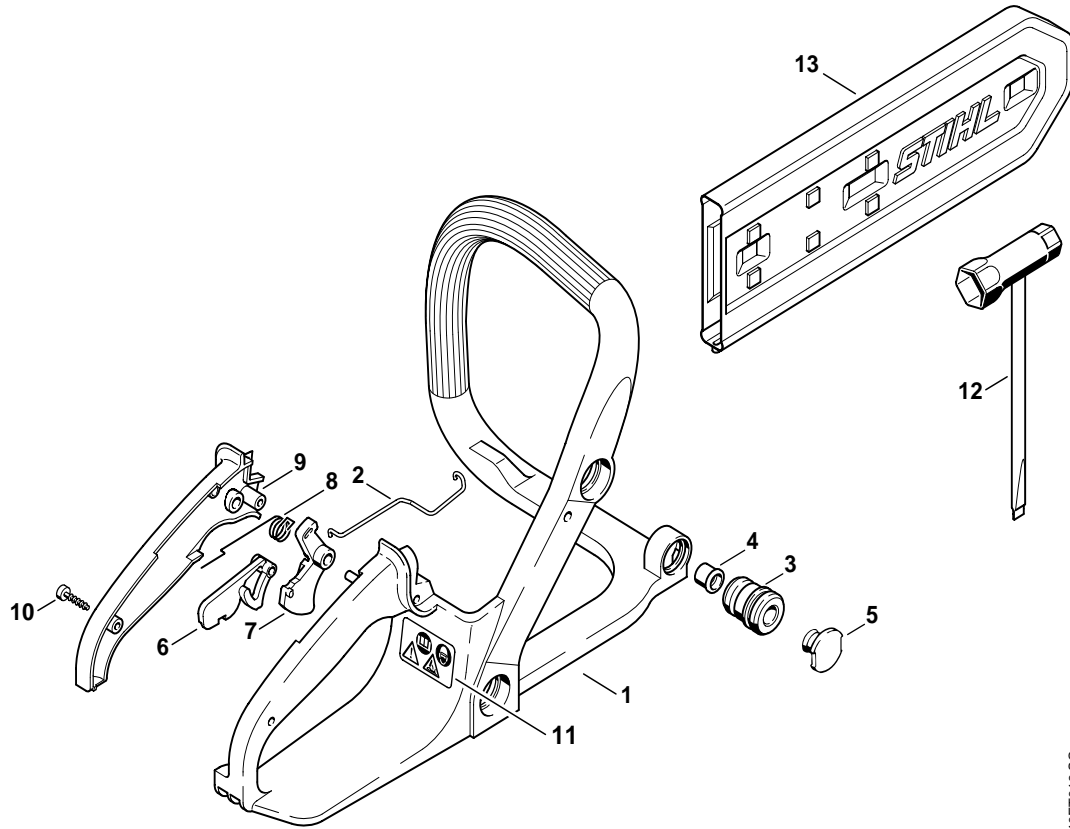
not for reprint



Ref. ID	Part Number	Qty.	Part Name
1	1130 141 1800	1	Sleeve
2	1130 141 2200	1	Manifold
3	1130 022 2000	1	Ring
4	1130 120 0603	1	Carburetor C1Q-S57A
5	* 1130 120 0601	1	Carburetor C1Q-S43B (49.2000)
6	1122 442 1603	1	Contact spring
7	1130 182 0900	1	Switch shaft
8	1130 185 2000	1	Choke rod
9	1130 140 2803	1	Filter housing □ 11, 15, 16
10	1130 140 2804	1	Filter housing Cat. (2) □ 11, 15, 16
11	1130 141 1101	1	Insert
12	* 1130 140 2800	1	Filter housing (49.2000) □ 14, 15
13	* 1130 141 1100	1	Insert (49.2000)
14	* 1130 141 4300	1	Packing (49.2000)
15	1130 124 7100	1	Sleeve
16	1130 124 0800	1	Filter plate
17	9216 261 0700	2	Hexagon nut M5
18	1130 124 3200	1	Baffle plate
19	1130 140 4701	1	Shroud □ 20, 21
20	1130 141 2300	1	Twist lock
21	1130 141 1801	1	Sleeve
22	1130 084 8300	1	Reflector foil Cat. (2)
23	0000 967 3748	1	Instruction label Cat. (2)

140ET018 SC

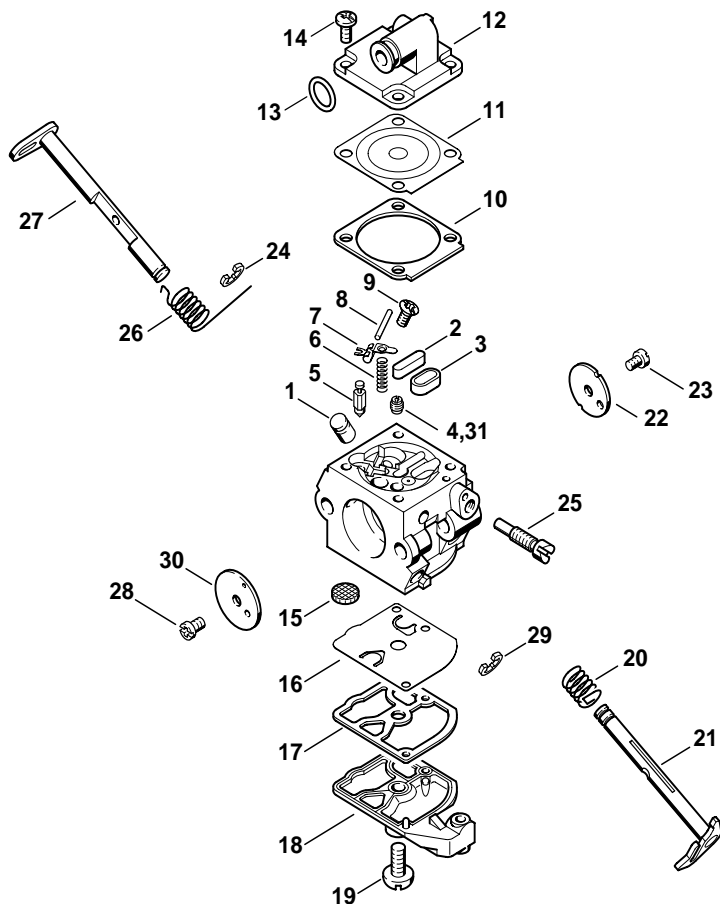
(1) 018 , (2) 018 C



Ref. ID	Part Number	Qty.	Part Name
1	1130 791 4901	1	Handle frame
2	1130 182 1500	1	Throttle rod
3	1123 791 2800	1	Annular buffer
4	1123 791 7305	1	Plug
5	1123 791 7300	1	Plug
6	1130 182 0800	1	Trigger interlock
7	1130 182 1000	1	Throttle trigger
8	1117 182 4500	1	Torsion spring
9	1130 791 0601	1	Handle molding
10	9074 478 3075	2	Pan head self-tapping screw IS P4x19
11	0000 967 3662	1	Instruction label
12	1129 890 3401	1	Combination wrench
13	0000 792 9128	1	Chain scabbard

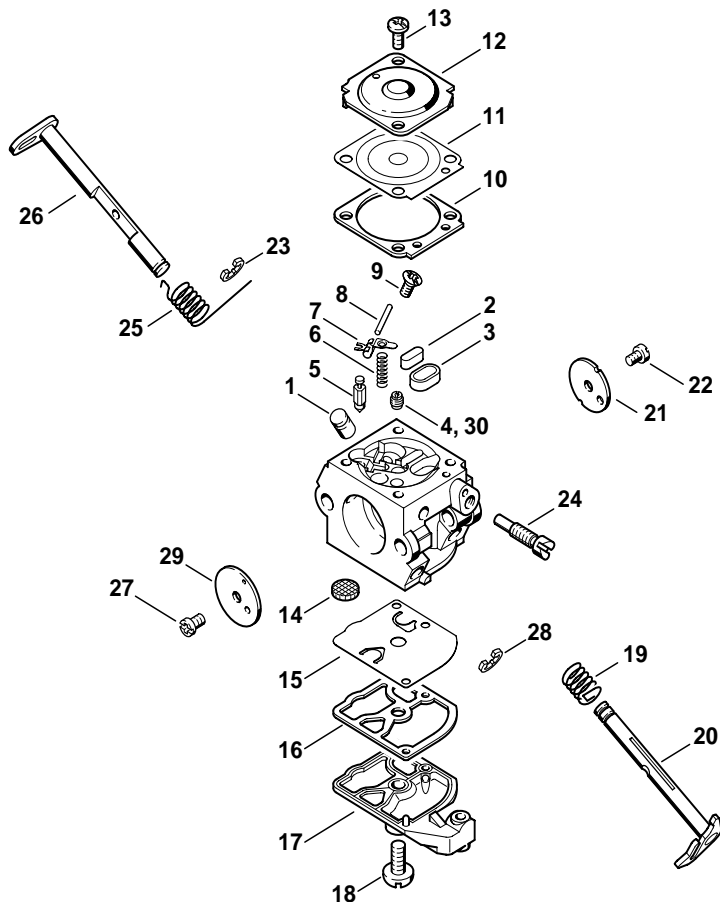
140ET019 SC

not for reprint



Ref. ID	Part Number	Qty.	Part Name
	1130 120 0603	1	Carburetor C1Q-S57A □ 1 - 30
1	1130 121 5401	1	Valve jet
2	4226 121 0700	1	Cup plug
3	4129 121 0700	1	Cup plug
4	1130 121 5604	1	Fixed jet 0.45
5	4116 121 5100	1	Inlet needle
6	1130 122 3001	1	Spring
7	1125 121 5000	1	Inlet control lever
8	1120 121 9200	1	Spindle
9	1120 122 6600	1	Collar screw
10	1130 129 0901	1	Gasket
11	1130 121 4700	1	Metering diaphragm
12	1130 121 0800	1	End cover
13	9646 945 0490	1	O-ring 7x1.5
14	1120 122 6601	4	Collar screw
15	1123 121 7800	1	Strainer
16	1130 121 4800	1	Pump diaphragm
17	1130 129 0900	1	Gasket
18	4128 121 0800	1	End cover
19	1120 122 7800	1	Oval head screw
20	1123 122 3000	1	Spring
21	1130 120 7101	1	Throttle shaft with lever
22	1130 121 3302	1	Throttle shutter
23	1120 122 7400	1	Round head screw
24	1125 122 9001	1	E-clip
25	1130 122 6300	1	Idle speed adjustment screw
26	1123 122 3200	1	Torsion spring
27	1123 120 7200	1	Choke shaft with lever
28	1125 122 7403	1	Round head screw
29	1125 122 9002	1	E-clip
30	1132 121 2901	1	Choke shutter
31	4137 121 5601	1	Fixed jet 0.42 High altitude
	1130 007 1061	1	Set of carburetor parts □ 10, 11, 16, 17

140ET016 SC



140ET007 SC

Ref. ID	Part Number	Qty.	Part Name
	* 1130 120 0601	1	Carburetor C1Q-S43B (49.2000)
	□ 1 - 29		
1	* 1130 121 5401	1	Valve jet (49.2000)
2	* 4226 121 0700	1	Cup plug (49.2000)
3	* 4129 121 0700	1	Cup plug (49.2000)
4	* 1130 121 5604	1	Fixed jet 0.45 (49.2000)
5	* 4116 121 5100	1	Inlet needle (49.2000)
6	* 1130 122 3001	1	Spring (49.2000)
7	* 1125 121 5000	1	Inlet control lever (49.2000)
8	* 1120 121 9200	1	Spindle (49.2000)
9	* 1120 122 6600	1	Collar screw (49.2000)
10	* 1130 129 0901	1	Gasket (49.2000)
11	* 1130 121 4700	1	Metering diaphragm (49.2000)
12	* 1129 121 0800	1	End cover (49.2000)
13	* 4132 122 6600	2	Collar screw (49.2000)
14	* 1123 121 7800	1	Strainer (49.2000)
15	* 1130 121 4800	1	Pump diaphragm (49.2000)
16	* 1130 129 0900	1	Gasket (49.2000)
17	* 4128 121 0800	1	End cover (49.2000)
18	* 1120 122 7800	1	Oval head screw (49.2000)
19	* 1123 122 3000	1	Spring (49.2000)
20	* 1120 120 7101	1	Throttle shaft with lever (49.2000)
21	* 1130 121 3302	1	Throttle shutter (49.2000)
22	* 1120 122 7400	1	Round head screw (49.2000)
23	* 1125 122 9001	1	E-clip (49.2000)
24	* 1130 122 6300	1	Idle speed adjustment screw (49.2000)
25	* 1123 122 3200	1	Torsion spring (49.2000)
26	* 1123 120 7200	1	Choke shaft with lever (49.2000)
27	* 1125 122 7403	1	Round head screw (49.2000)
28	* 1125 122 9002	1	E-clip (49.2000)
29	* 1123 121 2901	1	Choke shutter (49.2000)
30	* 4137 121 5601	1	Fixed jet 0.42 High altitude (49.2000)
	* 1130 007 1061	1	Set of carburetor parts (49.2000)
	□ 10, 11, 15, 16		