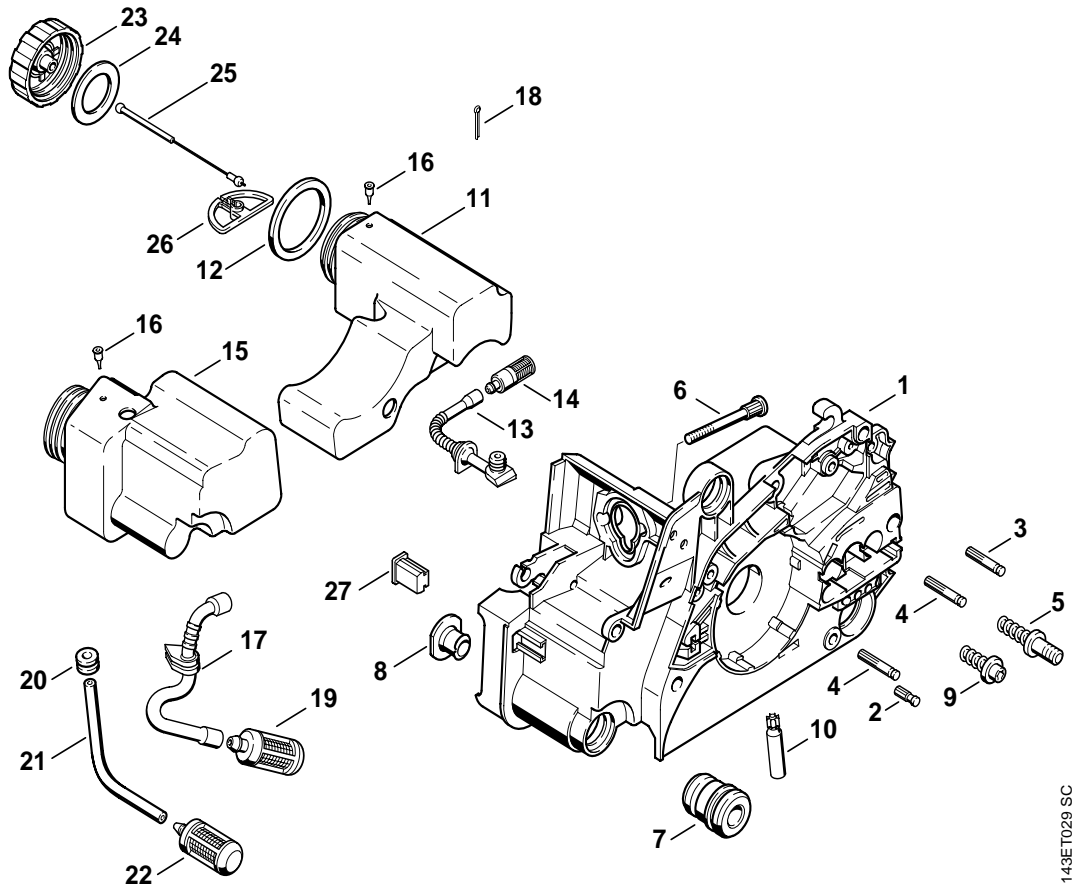

017 (1130)

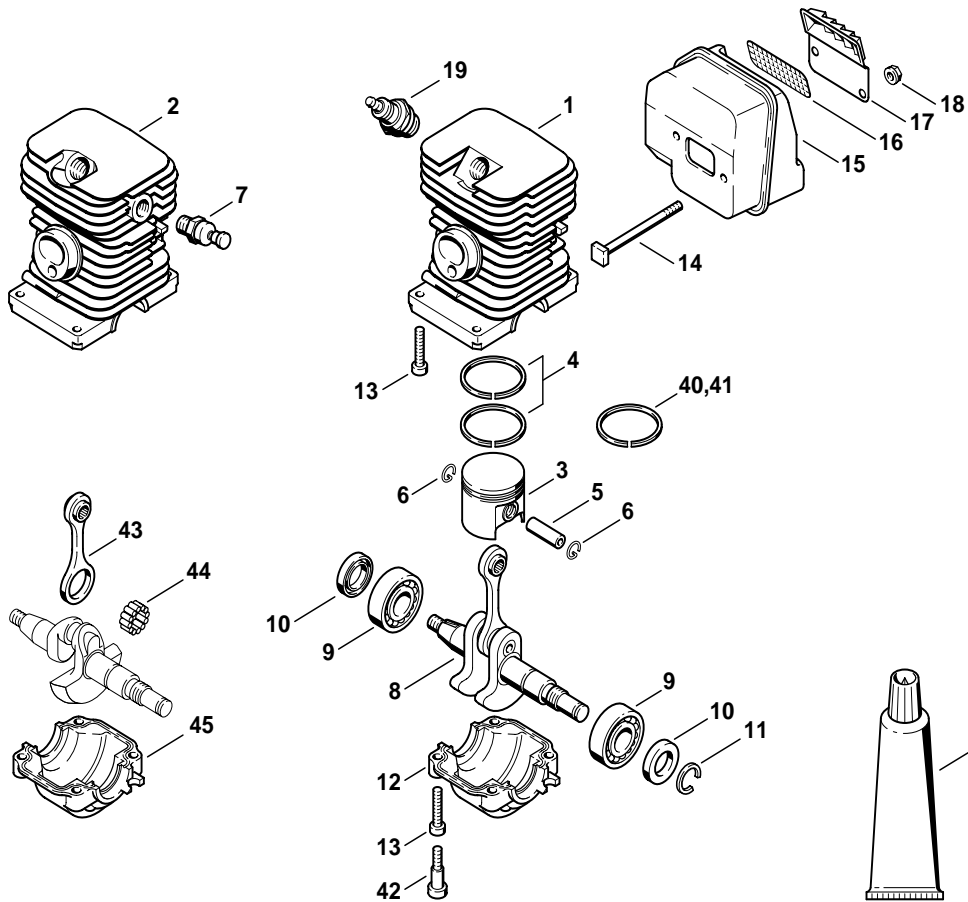
A	Engine housing	2
B	Cylinder	3
B	Cylinder	4
C	Rewind starter, Ignition system	5
C	Rewind starter, Ignition system	6
D	Chain brake	7
E	Quick tensioner parts	8
F	Air filter, Cover	9
G	Handle frame, Tools	10
H	Carburetor C1Q-S57A	11
J	Carburetor C1Q-S43B	12
K	Carburetor WT-325A	13



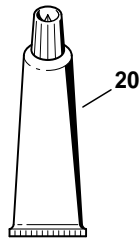
143ET029 SC

Ref. ID	Part Number	Qty.	Part Name
1	1130 020 3002	1	Engine housing (1) □ 2 - 8
1 *	1130 020 3001	1	Engine housing (1) → 2 44 076 105 (05.2000) □ 2 - 8
1	1130 020 3011	1	Engine housing (2) □ 2 - 9
2	1120 162 5200	1	Pin
3	1123 162 5200	1	Pin
4	1123 162 5205	2	Pin
5	1123 664 2400	2	Collar screw (1)
5	1123 664 2400	1	Collar screw (2)
6	1121 122 6600	2	Collar screw
7	1123 791 2800	2	Annular buffer
8	1123 791 7300	2	Plug
9	1123 664 2402	1	Collar screw (2)
10	1123 640 3200	1	Oil pump 0.55
11	1130 350 4400	1	Oil tank □ 12 - 14, 16
12	0000 359 1241	1	Sealing ring
13	1130 647 9400	1	Hose
14	1123 640 3800	1	Pickup body
15	1130 350 0400	1	Fuel tank □ 16, 17
16	0747 313 6810	2	Valve
17	1130 358 7700	1	Hose
18 *	9395 021 0760	1	Split pin 1.6x8 (12.98)
19	0000 350 3500	1	Pickup body
20 *	0000 989 0816	1	Grommet
21 *	4130 358 7600	1	Hose
22 *	0000 350 3502	1	Pickup body
23	1130 350 0500	2	Filler cap □ 24 - 26
24	0000 359 1240	2	Sealing ring
25	4226 350 0900	2	Rope
26	0000 353 0605	2	Hook
27	1130 791 5900	1	Stop buffer

(1) 017, (2) 017 C

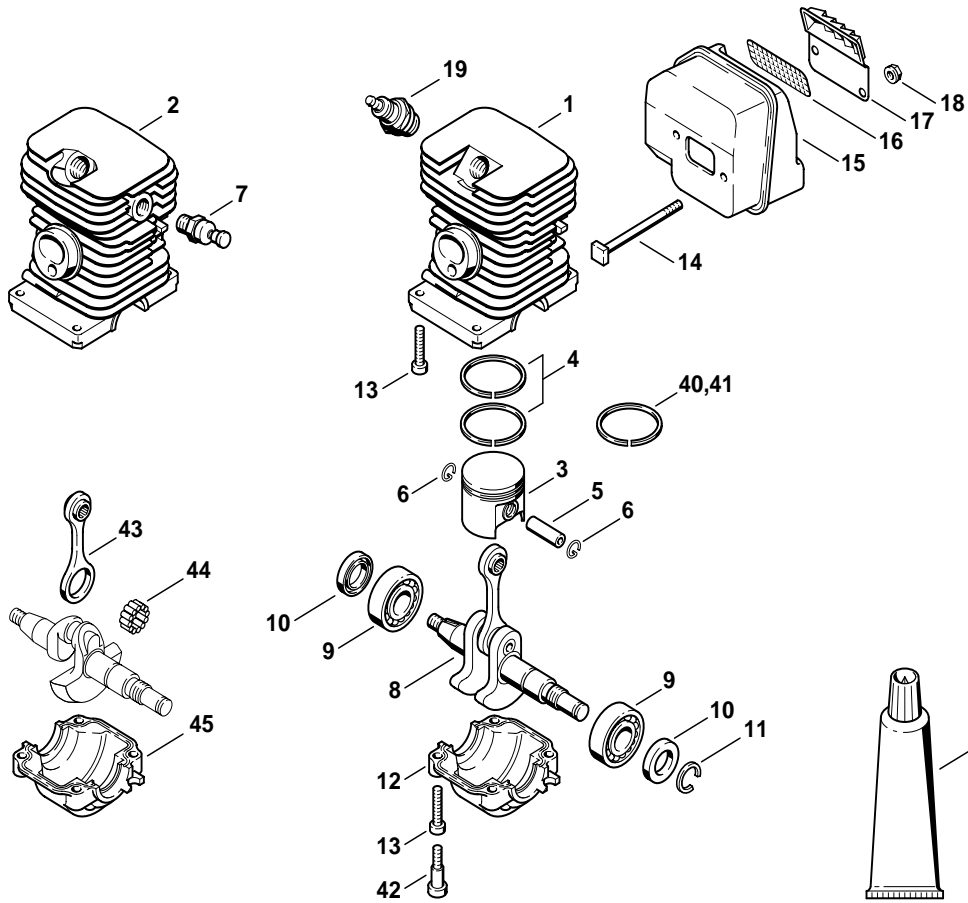


Ref. ID	Part Number	Qty.	Part Name
1	1130 020 1204	1	Cylinder with piston Ø 37mm (1) □ 3 - 6
1 *	1130 020 1200	1	Cylinder with piston Ø 37mm (1) ➔ 2 44 076 105 (05.2000) □ 3 - 6
2	1130 020 1207	1	Cylinder with piston Ø 37mm (2) □ 3 - 6, 13
2 *	1130 020 1202	1	Cylinder with piston Ø 37mm (C) (2) □ 3 - 7
3	1130 030 2000	1	Piston Ø 37mm □ 4 - 6
4	1130 034 3003	2	Piston ring Ø 37x1.2mm
5	1130 034 1500	1	Piston pin
6	9463 650 0807	2	Snap ring 8x0.7
7	1123 020 9400	1	Decompression valve (2)
	1130 030 0450	1	Set of crankshaft / engine pan □ 8, 12
8	1132 030 0401	1	Crankshaft
9	9503 003 0311	2	Grooved ball bearing 6002
10	9638 003 1581	2	Oil seal 15x25x5 (24.96)
10	9639 003 1585	2	Oil seal 15x25x5 (24.96)
11	9468 621 1520	1	Circlip 15x1
12	1130 021 2505	1	Engine pan
13	9075 478 4159	8	Pan head self-tapping screw IS D5x24
14	1123 148 1201	2	Screw M5x65



143ET034 SC

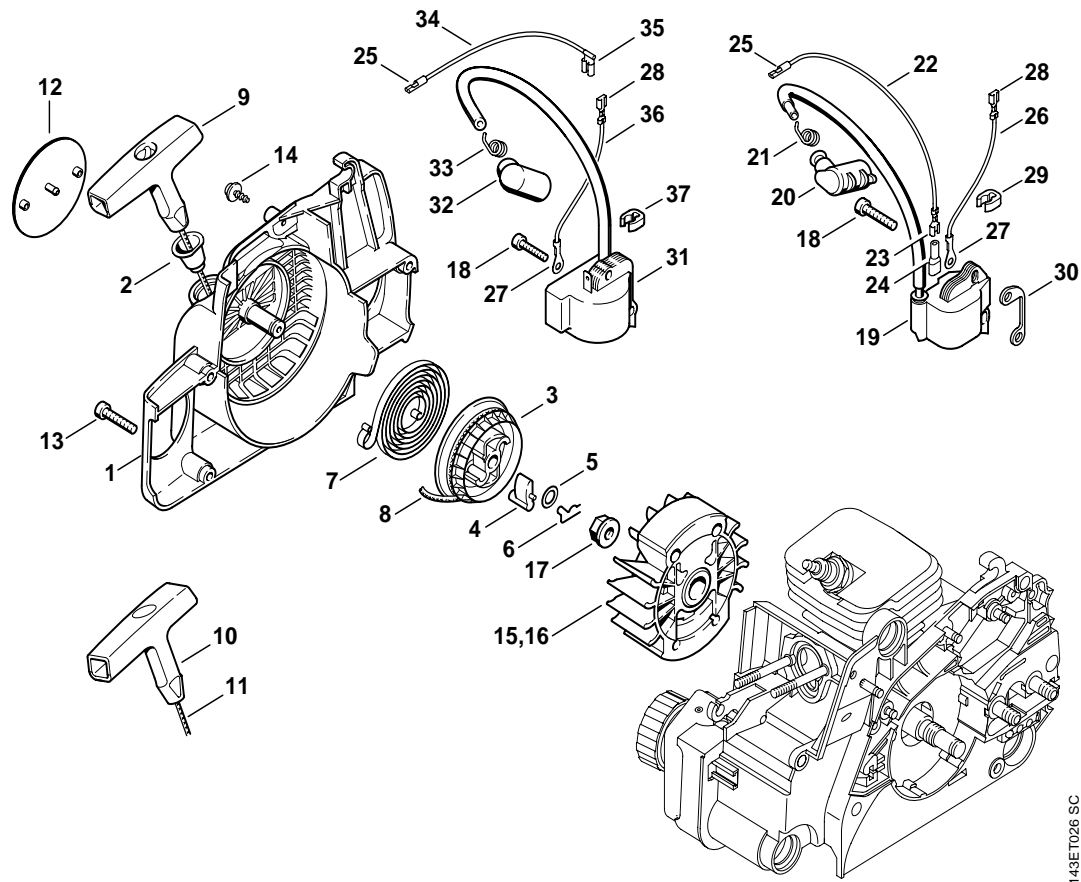
(1) 017, (2) 017 C



Ref. ID	Part Number	Qty.	Part Name
15	1130 140 0600	1	Muffler
16	1130 141 9000	1	Screen
17	1130 145 2900	1	Cover
18	9216 261 0700	2	Hexagon nut M5
19	1110 400 7005	1	Spark plug Bosch WSR 6 F
19	0000 400 7000	1	Spark plug NGK BPMR7A
20	0783 830 2000	1	Tube of sealant Dirko HT red (B)
40	* 1130 034 3001	1	Piston ring Ø 37x1.5mm → X 44 076 105
41	* 1130 034 3000	1	Piston ring Ø 37x1.5mm → X 33 249 874 (28.96)
42	* 1130 028 0200	4	Collar screw (12.98)
43	* 1130 030 1200	1	Connecting rod (09.1999)
44	* 1130 007 1000	1	Set of cylindrical rollers
45	* 1130 021 2500	1	Engine pan

143ET034 SC

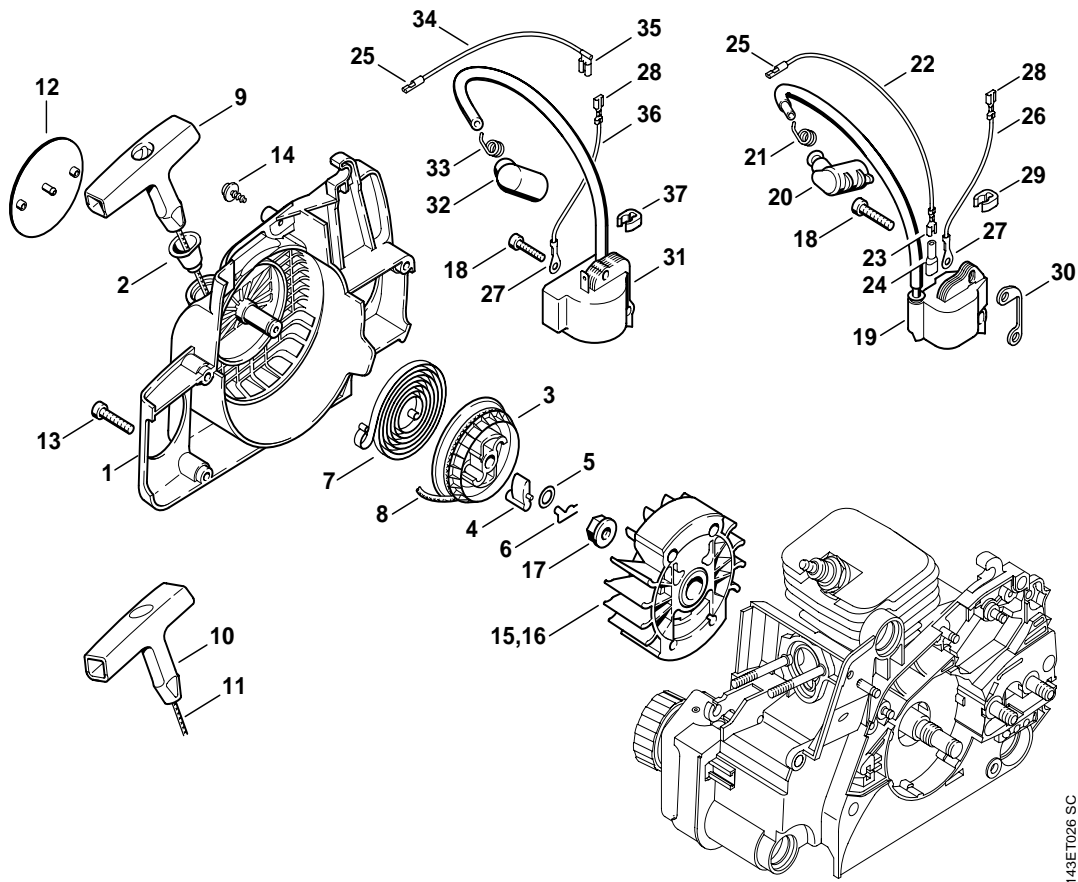
not for reprint



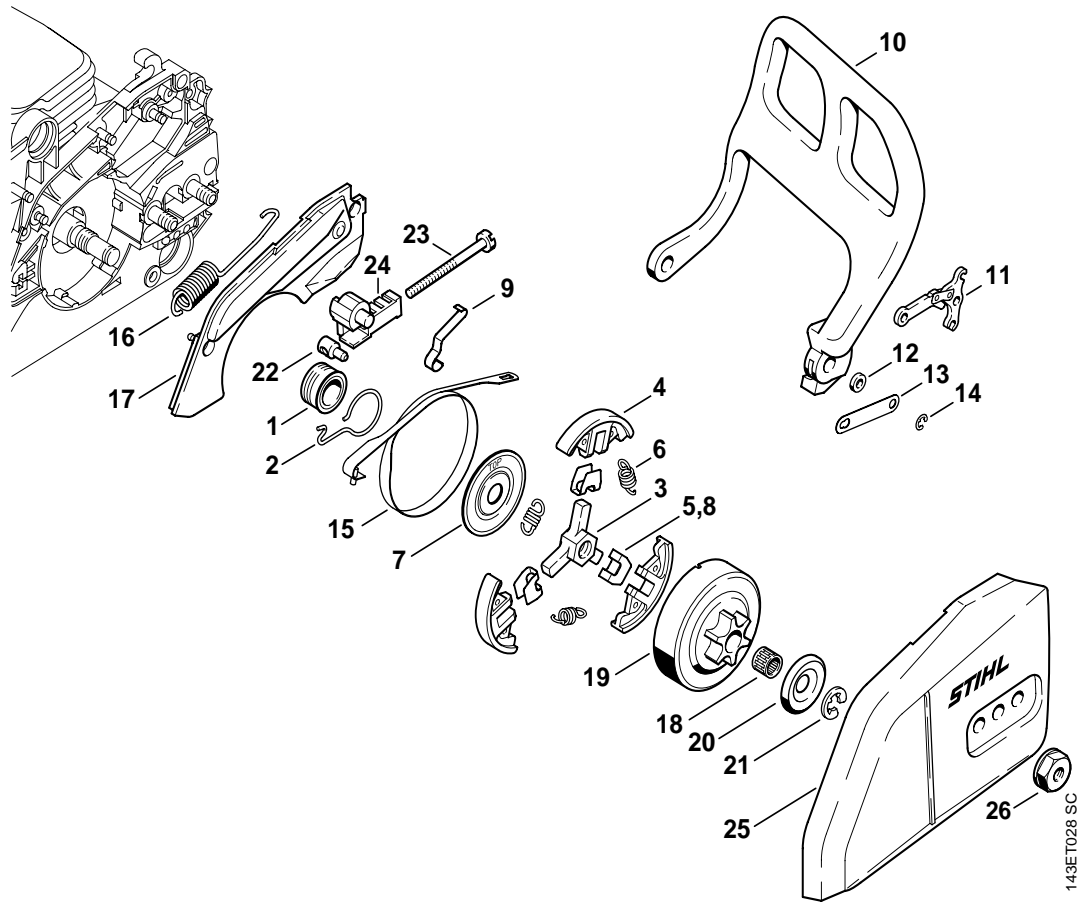
Ref. ID	Part Number	Qty.	Part Name
	1130 080 2100	1	Fan housing with rewind starter (1) □ 1 - 9, 12
	1130 080 2105	1	Fan housing with rewind starter (2) □ 1 - 7, 10, 11
1	1130 080 1800	1	Fan housing □ 2
2	1110 084 9102	1	Bushing
3	1123 195 0400	1	Rope rotor
4	1125 195 7200	1	Pawl
5	0000 958 0923	1	Washer
6	1118 195 3500	1	Spring
7	1129 190 0601	1	Rewind spring
8	0000 195 8200	1	Starter rope Ø 3x800mm (1)
9	1121 195 3400	1	Starter grip (1)
10	0000 190 3402	1	Starter grip ElastoStart (2) □ 11
11	0000 195 8200	1	Starter rope Ø 3x800mm (2)
12	1130 967 1500	1	Model plate 017
13	9075 478 4155	3	Pan head self-tapping screw IS D5x24
14	9104 003 3002	1	Self-tapping screw P4x12
15	1130 400 1201	1	Flywheel
16	* 1130 400 1200	1	Flywheel → 2 44 076 104 (05.2000)
17	0000 955 0802	1	Collar nut M8x1
18	9075 478 3022	2	Pan head self-tapping screw IS D4x20
19	1130 400 1302	1	Ignition module □ 20, 21
20	1128 405 1000	1	Spark plug boot

(1) 017, (2) 017 C

143ET026 SC

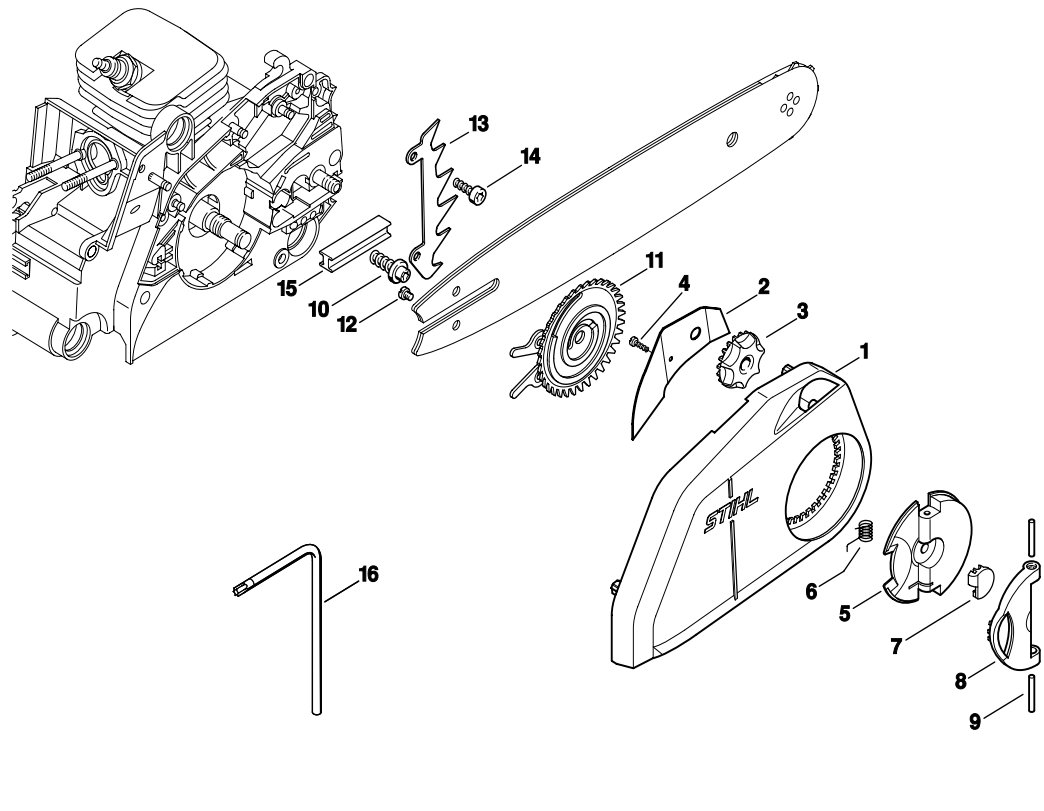


Ref. ID	Part Number	Qty.	Part Name
21	0000 998 0604	1	Torsion spring
22	1130 440 1101	1	Short circuit wire □ 23 - 25
23	0751 030 8967	1	Terminal socket 4.8-1
24	0751 030 8467	1	Grommet
25	0751 030 8490	1	Terminal socket 3.5
26	1130 440 2201	1	Ground wire 125mm / 4 15/16" □ 27, 28
27	0751 030 8950	1	Terminal socket A 4-1
28	0751 030 8953	1	Terminal socket 4.8-1
29	1130 448 1201	1	Lead retainer
30	1130 405 8000	1	Insulator
31	* 1130 400 1300	1	Ignition module → 2 44 076 104 (05.2000) □ 32, 33
32	* 1130 405 1000	1	Spark plug boot → 2 44 076 104 (05.2000)
33	* 0000 998 0614	1	Torsion spring → 2 44 076 104 (05.2000)
34	* 1130 440 1100	1	Short circuit wire 225mm / 8.9" → 2 44 076 104 (05.2000) □ 25, 35
35	*	1	Terminal socket 6.3-1 (D) → 2 44 076 104 (05.2000)
36	1130 440 2200	1	Ground wire 125mm / 4 15/16" □ 27, 28
37	* 1130 448 1200	1	Lead retainer → 2 44 076 104 (05.2000)



Ref. ID	Part Number	Qty.	Part Name
1	1123 640 7105	1	Worm □ 2
2	1123 647 2400	1	Spring
3	1123 160 2050	1	Clutch □ 4 - 7
4	1129 162 0800	3	Clutch shoe
5	1127 162 3000	3	Retainer
6	0000 997 5515	3	Tension spring
7	1121 162 1001	1	Cover washer
8 *	1121 162 3000	3	Retainer (35.2000)
9	1123 162 7800	1	Flat spring
10	1130 792 9100	1	Hand guard
11	1128 160 5000	1	Lever
12	0000 958 0521	1	Washer
13	1123 162 5800	1	Strap
14	9460 624 0400	1	E-clip 4
15	1123 160 5400	1	Brake band
16	1123 162 7900	1	Tension spring
17	1130 021 1100	1	Cover
18	9512 933 2260	1	Needle cage 10x13x10
19	1123 640 2005	1	Chain sprocket 3/8" Picco 6T
20	0000 958 1022	1	Washer Ø 27mm
21	9460 624 0801	1	E-clip 8x1.3
22	1120 664 1500	1	Tensioning nut
23	1123 664 1605	1	Adjusting screw
24	1123 664 2205	1	Cover
25	1123 640 1705	1	Chain sprocket cover
26	0000 955 0804	2	Collar nut M8

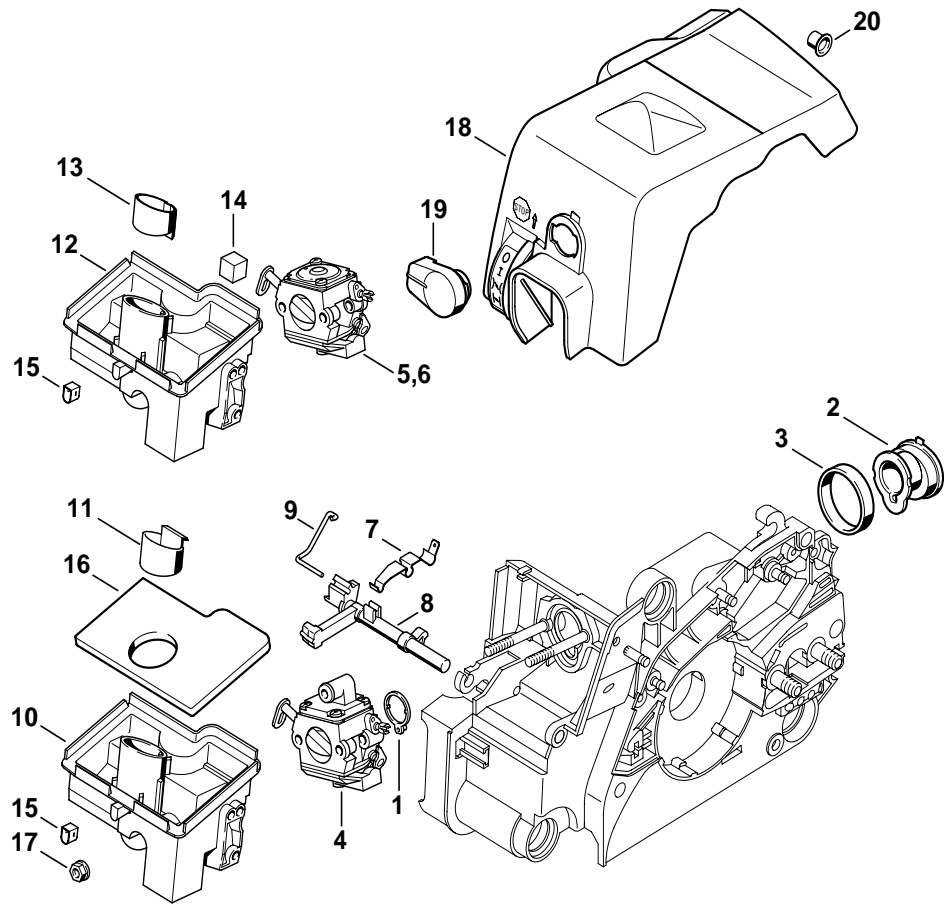
143ET028 SC



Ref. ID	Part Number	Qty.	Part Name
	1123 007 1008	1	Quick tensioner parts (B) □ 1 - 16
1	1123 640 1700	1	Chain sprocket cover □ 2 - 4
2	1123 648 3800	1	Cover plate
3	1123 648 2200	1	Adjusting wheel
4	9104 003 8600	1	Self-tapping screw P3x10
5	1121 660 1000	1	Wing nut □ 6 - 9
6		1	Torsion spring (D)
7		1	Cap (D)
8		1	Handle (D)
9		2	Cylindrical pin 3m6x26 (D)
10	1123 664 2402	1	Collar screw
11	1123 660 3000	1	Tensioning gear □ 12
12	9041 319 0600	1	Pan head screw M4x5
13	1123 664 0501	1	Bumper spike
14	9075 478 4115	2	Pan head self-tapping screw IS D5x16
15	1123 021 2800	1	Insert
16	0812 370 1000	1	Screwdriver T27x120x70

143ET007 SC

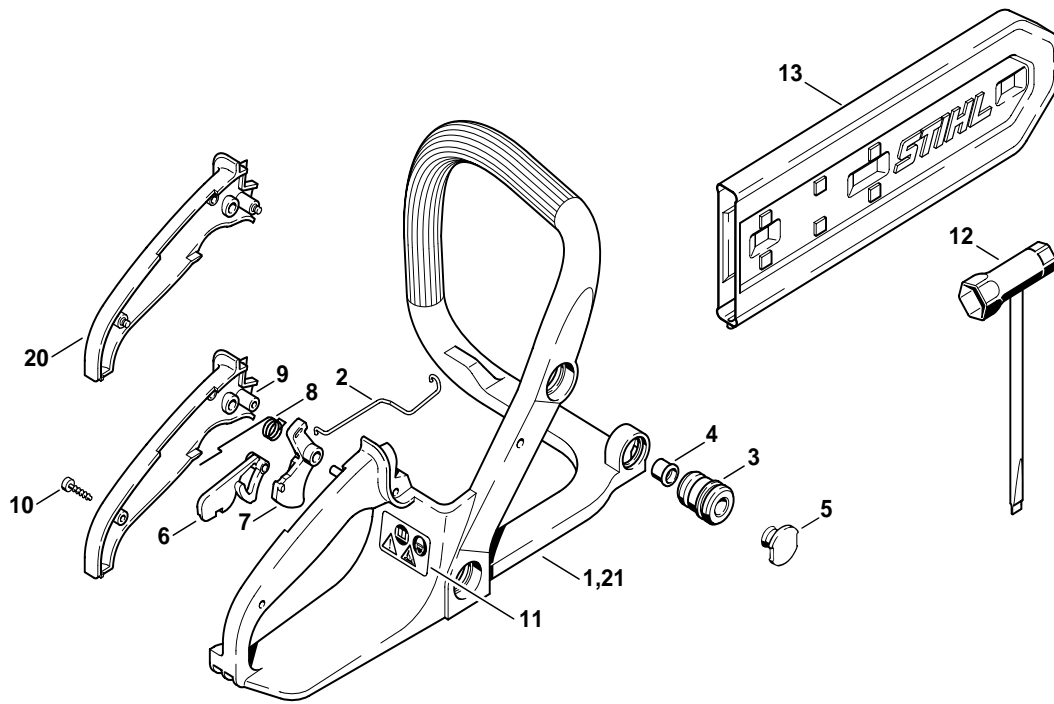
not for reprint



Ref. ID	Part Number	Qty.	Part Name
1	1130 141 1800	1	Sleeve
2	1130 141 2200	1	Manifold
3	1130 022 2000	1	Ring
4	1130 120 0603	1	Carburetor C1Q-S57A
5 *	1130 120 0601	1	Carburetor C1Q-S43B (49.2000)
6 *	1130 120 0600	1	Carburetor WT-325A → 2 44 076 104 (05.2000)
7	1122 442 1603	1	Contact spring
8	1130 182 0900	1	Switch shaft
9	1130 185 2000	1	Choke rod
10	1130 140 2803	1	Filter housing □ 11, 15, 16
11	1130 141 1101	1	Insert
12 *	1130 140 2800	1	Filter housing (49.2000) □ 14, 15
13 *	1130 141 1100	1	Insert (49.2000)
14 *	1130 141 4300	1	Packing (49.2000)
15	1130 124 7100	1	Sleeve
16	1130 124 0800	1	Filter plate
17	9216 261 0700	2	Hexagon nut M5
18	1130 140 4701	1	Shroud □ 19, 20
19	1130 141 2300	1	Twist lock
20	1130 141 1801	1	Sleeve

143ET032 SC

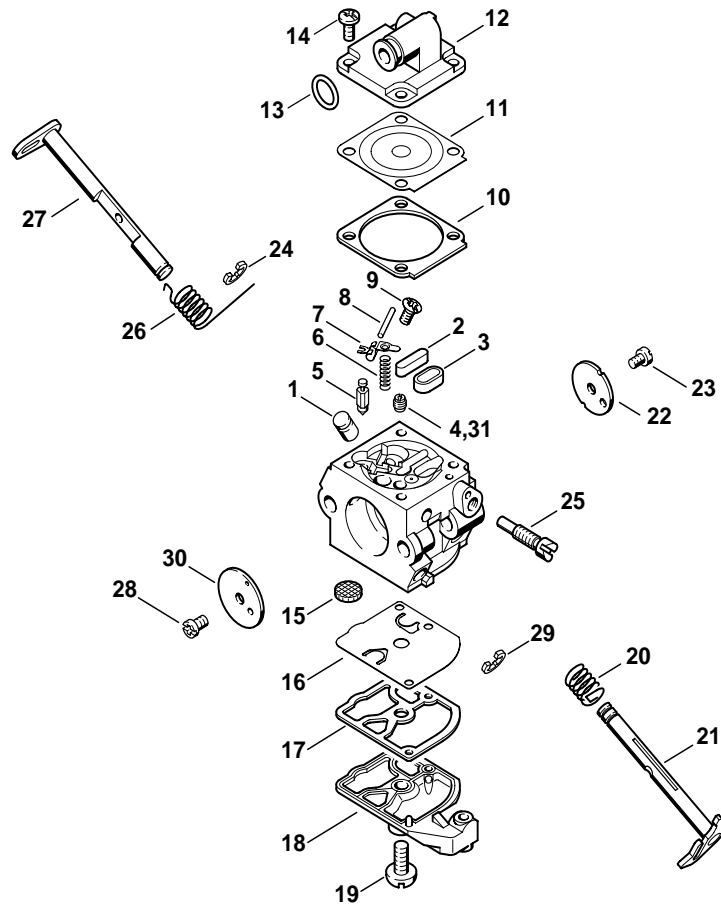
not for reprint



Ref. ID	Part Number	Qty.	Part Name
1	1130 791 4901	1	Handle frame
2	1130 182 1500	1	Throttle rod
3	1123 791 2800	1	Annular buffer
4	1123 791 7305	1	Plug
5	1123 791 7300	1	Plug
6	1130 182 0800	1	Trigger interlock
7	1130 182 1000	1	Throttle trigger
8	1117 182 4500	1	Torsion spring
9	1130 791 0601	1	Handle molding
10	9074 478 3075	2	Pan head self-tapping screw IS P4x19
11	0000 967 3662	1	Instruction label
12	1129 890 3401	1	Combination wrench
13	0000 792 9128	1	Chain scabbard
20	* 1130 791 0600	1	Handle molding → 2 44 076 104 (05.2000)
21	* 1130 791 4900	1	Handle frame → 2 44 076 104 (05.2000)

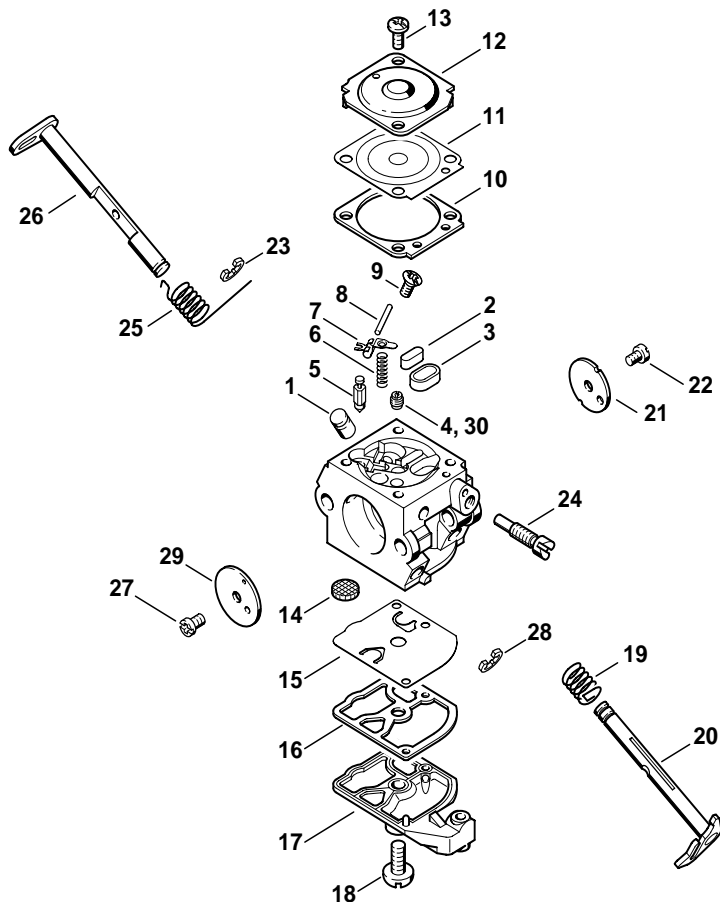
143ET035 SC

not for reprint



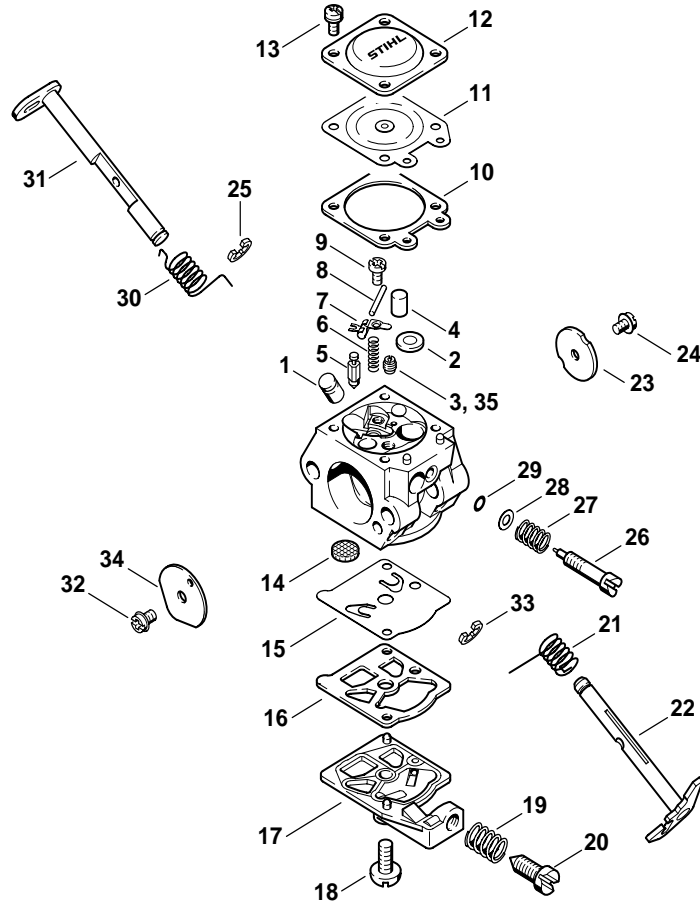
140ET016 SC

Ref. ID	Part Number	Qty.	Part Name
	1130 120 0603	1	Carburetor C1Q-S57A □ 1 - 30
1	1130 121 5401	1	Valve jet
2	4226 121 0700	1	Cup plug
3	4129 121 0700	1	Cup plug
4	1130 121 5604	1	Fixed jet 0.45
5	4116 121 5100	1	Inlet needle
6	1130 122 3001	1	Spring
7	1125 121 5000	1	Inlet control lever
8	1120 121 9200	1	Spindle
9	1120 122 6600	1	Collar screw
10	1130 129 0901	1	Gasket
11	1130 121 4700	1	Metering diaphragm
12	1130 121 0800	1	End cover
13	9646 945 0490	1	O-ring 7x1.5
14	1120 122 6601	4	Collar screw
15	1123 121 7800	1	Strainer
16	1130 121 4800	1	Pump diaphragm
17	1130 129 0900	1	Gasket
18	4128 121 0800	1	End cover
19	1120 122 7800	1	Oval head screw
20	1123 122 3000	1	Spring
21	1130 120 7101	1	Throttle shaft with lever
22	1130 121 3302	1	Throttle shutter
23	1120 122 7400	1	Round head screw
24	1125 122 9001	1	E-clip
25	1130 122 6300	1	Idle speed adjustment screw
26	1123 122 3200	1	Torsion spring
27	1123 120 7200	1	Choke shaft with lever
28	1125 122 7403	1	Round head screw
29	1125 122 9002	1	E-clip
30	1132 121 2901	1	Choke shutter
31	4137 121 5601	1	Fixed jet 0.42 High altitude
	1130 007 1061	1	Set of carburetor parts □ 10, 11, 16, 17



Ref. ID	Part Number	Qty.	Part Name
	* 1130 120 0601	1	Carburetor C1Q-S43B (49.2000)
	□ 1 - 29		
1	* 1130 121 5401	1	Valve jet (49.2000)
2	* 4226 121 0700	1	Cup plug (49.2000)
3	* 4129 121 0700	1	Cup plug (49.2000)
4	* 1130 121 5604	1	Fixed jet 0.45 (49.2000)
5	* 4116 121 5100	1	Inlet needle (49.2000)
6	* 1130 122 3001	1	Spring (49.2000)
7	* 1125 121 5000	1	Inlet control lever (49.2000)
8	* 1120 121 9200	1	Spindle (49.2000)
9	* 1120 122 6600	1	Collar screw (49.2000)
10	* 1130 129 0901	1	Gasket (49.2000)
11	* 1130 121 4700	1	Metering diaphragm (49.2000)
12	* 1129 121 0800	1	End cover (49.2000)
13	* 4132 122 6600	2	Collar screw (49.2000)
14	* 1123 121 7800	1	Strainer (49.2000)
15	* 1130 121 4800	1	Pump diaphragm (49.2000)
16	* 1130 129 0900	1	Gasket (49.2000)
17	* 4128 121 0800	1	End cover (49.2000)
18	* 1120 122 7800	1	Oval head screw (49.2000)
19	* 1123 122 3000	1	Spring (49.2000)
20	* 1120 120 7101	1	Throttle shaft with lever (49.2000)
21	* 1130 121 3302	1	Throttle shutter (49.2000)
22	* 1120 122 7400	1	Round head screw (49.2000)
23	* 1125 122 9001	1	E-clip (49.2000)
24	* 1130 122 6300	1	Idle speed adjustment screw (49.2000)
25	* 1123 122 3200	1	Torsion spring (49.2000)
26	* 1123 120 7200	1	Choke shaft with lever (49.2000)
27	* 1125 122 7403	1	Round head screw (49.2000)
28	* 1125 122 9002	1	E-clip (49.2000)
29	* 1123 121 2901	1	Choke shutter (49.2000)
30	* 4137 121 5601	1	Fixed jet 0.42 High altitude (49.2000)
	* 1130 007 1061	1	Set of carburetor parts
	□ 10, 11, 15, 16		

149ET007 SC



143ET017 SC

Ref. ID	Part Number	Qty.	Part Name
	* 1130 120 0600	1	Carburetor WT-325A → 2 44 076 104 (05.2000) □ 1 - 34
1	* 1115 121 5401	1	Valve jet → 2 44 076 104 (05.2000)
2	* 4117 122 9402	1	Plug → 2 44 076 104 (05.2000)
3	* 1130 121 5400	1	Fixed jet 0.54 → 2 44 076 104 (05.2000)
4	* 4133 120 8600	1	Non-return valve → 2 44 076 104 (05.2000)
5	* 4116 121 5100	1	Inlet needle → 2 44 076 104 (05.2000)
6	* 1130 122 3000	1	Spring → 2 44 076 104 (05.2000)
7	* 1113 121 5000	1	Inlet control lever → 2 44 076 104 (05.2000)
8	* 1113 121 9200	1	Spindle → 2 44 076 104 (05.2000)
9	* 1114 122 7400	1	Round head screw → 2 44 076 104 (05.2000)
10	* 1113 129 0900	1	Gasket → 2 44 076 104 (05.2000)
11	* 1113 121 4705	1	Metering diaphragm → 2 44 076 104 (05.2000)
12	* 1113 121 0800	1	End cover → 2 44 076 104 (05.2000)
13	* 1106 122 7400	4	Round head screw → 2 44 076 104 (05.2000)
14	* 1114 121 7800	1	Strainer → 2 44 076 104 (05.2000)
15	* 1121 121 4801	1	Pump diaphragm → 2 44 076 104 (05.2000)
16	* 1120 129 0905	1	Gasket → 2 44 076 104 (05.2000)
17	* 1123 121 0802	1	End cover → 2 44 076 104 (05.2000)
18	* 1114 122 7100	1	Screw → 2 44 076 104 (05.2000)
19	* 4117 122 3006	1	Spring → 2 44 076 104 (05.2000)
20	* 4117 122 6200	1	Idle speed adjustment screw → 2 44 076 104 (05.2000)
21	* 1130 122 3200	1	Torsion spring → 2 44 076 104 (05.2000)
22	* 1130 120 7100	1	Throttle shaft with lever → 2 44 076 104 (05.2000)
23	* 1130 121 3300	1	Throttle shutter → 2 44 076 104 (05.2000)
24	* 1115 122 7400	1	Round head screw → 2 44 076 104 (05.2000)
25	* 1117 122 9000	1	E-clip → 2 44 076 104 (05.2000)
26	* 1130 122 6800	1	Low speed adjustment screw → 2 44 076 104 (05.2000)
27	* 1115 122 3002	1	Spring → 2 44 076 104 (05.2000)
28	* 1111 121 8605	1	Washer → 2 44 076 104 (05.2000)
29	* 4124 122 3600	1	Sealing ring → 2 44 076 104 (05.2000)
30	* 1123 122 3201	1	Torsion spring → 2 44 076 104 (05.2000)
31	* 1123 120 7201	1	Choke shaft with lever → 2 44 076 104 (05.2000)
32	* 1110 122 7400	1	Round head screw → 2 44 076 104 (05.2000)
33	* 1123 122 9000	1	E-clip → 2 44 076 104 (05.2000)
34	* 1130 121 2900	1	Choke shutter → 2 44 076 104 (05.2000)
35	* 1129 121 5600	1	Fixed jet 0.50 (B) → 2 44 076 104 (05.2000)
	* 1123 007 1061	1	Set of carburetor parts □ 10, 11, 15, 16
	* 1130 007 1001	1	Repair kit for carburetor → X 37 672 608 (12.98) □ 6, 10, 11, 26