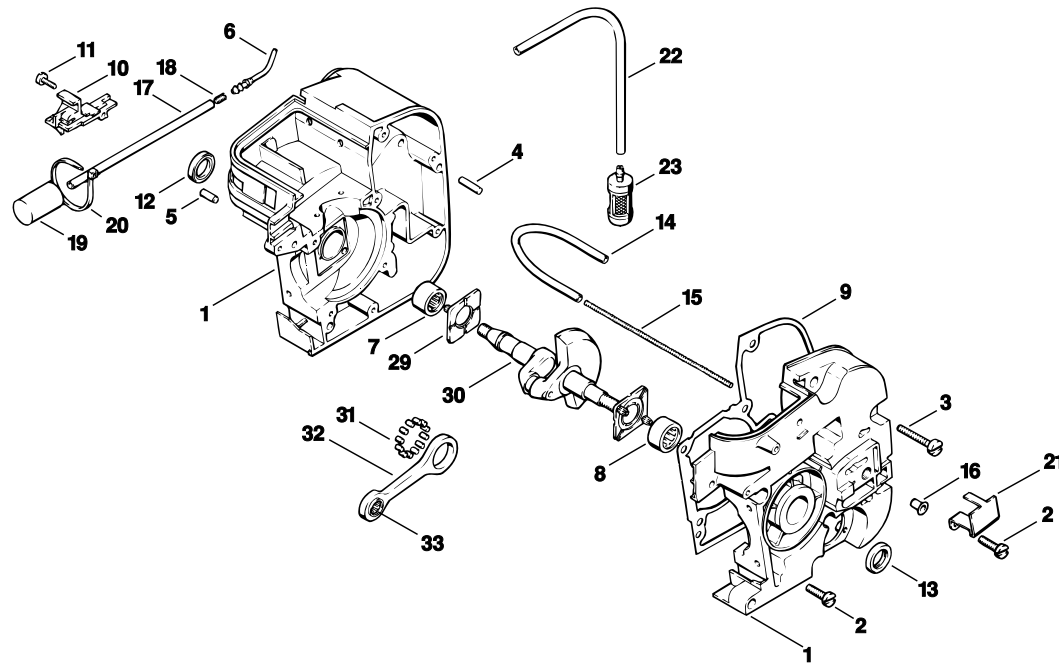

009 (1120)

A	Crankcase	2
B	Crankcase	3
C	Cylinder	4
D	Cylinder	5
E	Air filter, Oil pump	6
F	Air filter, Oil pump	7
G	Clutch	8
H	Clutch	9
J	Chain brake	10
K	Chain brake	11
L	Carburetor C1S-S1C	12
M	Carburetor WT-323 USA, WT-563 CDN	13
N	Ignition system	14
O	Ignition system	15
P	Rewind starter	16
Q	Rewind starter	17
R	Tools, Extras	18
S	Carburetor WA-99B	19
T	Carburetor WT-29A	20

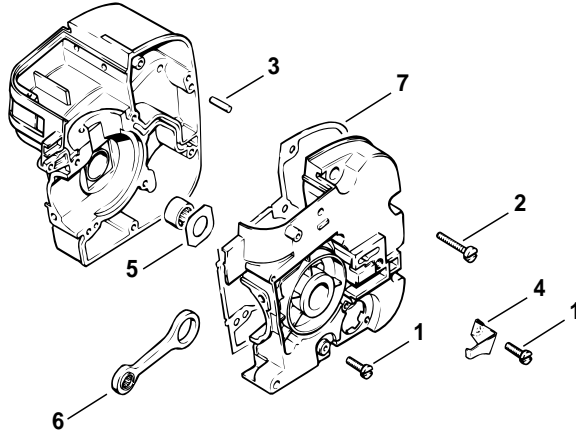


125ET001

Ref. ID	Part Number	Qty.	Part Name
1	1120 020 2104	1	Crankcase □ 2 - 10, 29
2	9079 319 1010	4	Flat head screw M5x18
3	9079 319 1070	3	Flat head screw M5x30
4	9371 470 2610	2	Cylindrical pin 5x18
5	9371 470 2570	1	Cylindrical pin 5x12
6	1120 353 9100	1	Elbow connector
7	9513 003 3400	1	Needle cage 13x19x12
8	9513 003 3470	1	Needle cage 13x21x12
9	1120 029 0502	1	Gasket
10	1120 431 2504	1	Cable clamp
11	9079 319 0650	1	Flat head screw M4x10
12	9640 003 1320	1	Oil seal 13x19x4
13	9640 003 1330	1	Oil seal 13x21x4
14	1124 358 7706	1	Hose 155mm / 6 1/8"
15	0000 997 0225	1	Compression spring
16	1120 641 4900	1	Sleeve
17	1120 350 3600	1	Vent hose □ 18 - 20
18	1120 358 8106	1	Vent insert
19	1120 358 1800	1	Filter
20	0000 903 1506	1	Hose tie
21	1120 353 7802	1	Cover plate
22	1120 358 0700	1	Hose
23	0000 350 3502	1	Pickup body
29	1120 036 8902	2	Thrust washer
30	1120 031 0501	1	Crankshaft
31	0000 987 1011	12	Cylindrical roller
32	1120 007 1006	1	Connecting rod kit □ 33
33	9512 003 2030	1	Needle cage 9x12x10

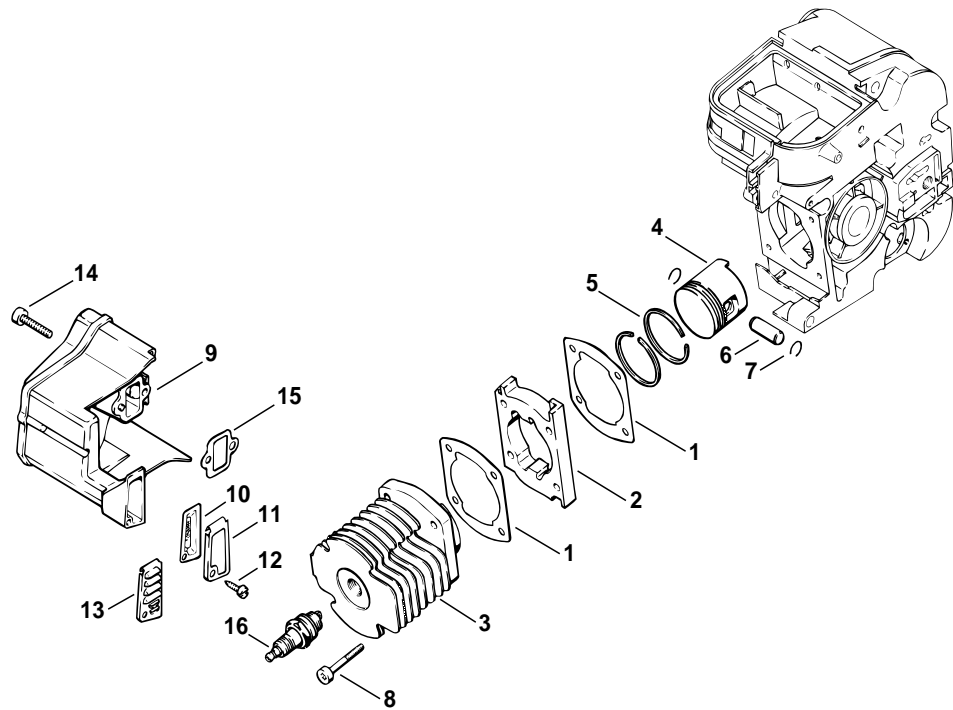


Ref. ID	Part Number	Qty.	Part Name
1	* 9079 319 1010	5	Flat head screw M5x18 → X 12 725 130 (25.84)
2	* 9079 319 1070	2	Flat head screw M5x30 → X 12 725 130 (25.84)
3	* 9371 470 2610	2	Cylindrical pin 5x18 → X 12 725 130 (25.84)
4	* 1120 353 7801	1	Cover plate → X 12 725 130 (25.84)
5	* 1120 036 8900	2	Thrust washer → X 12 725 130 (25.84)
6	* 1120 030 1200	1	Connecting rod (35.85)
7	* 1120 029 0501	1	Gasket (35.85)



125ET028 SC

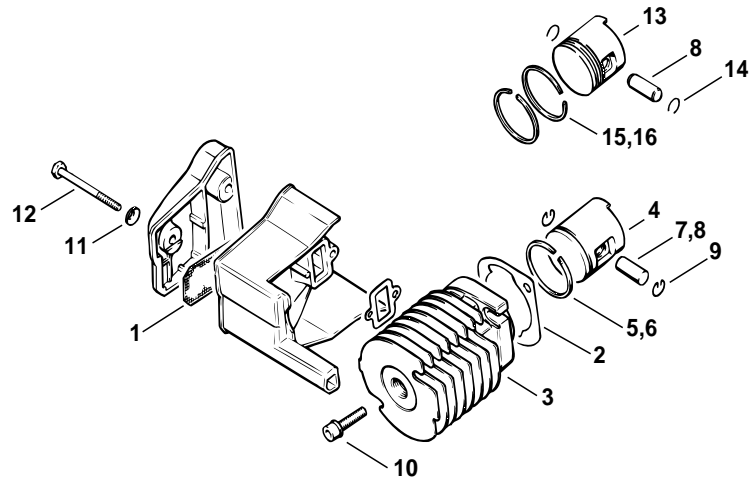
not for reprint



Ref. ID	Part Number	Qty.	Part Name
1	1120 029 2302	2	Cylinder gasket
2	1120 028 0700	1	Flange
3	1120 020 1215	1	Cylinder with piston Ø 38mm □ 4 - 7
4	1120 030 2008	1	Piston Ø 38mm □ 5 - 7
5	1114 034 3000	2	Piston ring Ø 38x1.5mm
6	1116 034 1501	1	Piston pin
7	9463 650 0900	2	Snap ring 9x0.8
8	9022 341 1080	4	Spline screw IS M5x35
9	1120 007 1009	1	Muffler kit □ 10 - 14
10	1120 141 9000	1	Screen
11	1120 145 2902	1	Cover
12	9099 374 2770	1	Self-tapping screw 3.9x13
13	1120 145 2910	1	Cover
14	9022 341 1050	2	Spline screw IS M5x25
15	1120 149 0601	1	Exhaust gasket
16	0000 400 7000	1	Spark plug NGK BPMR7A
16	1110 400 7005	1	Spark plug Bosch WSR 6 F

125ET025 SC

not for reprint

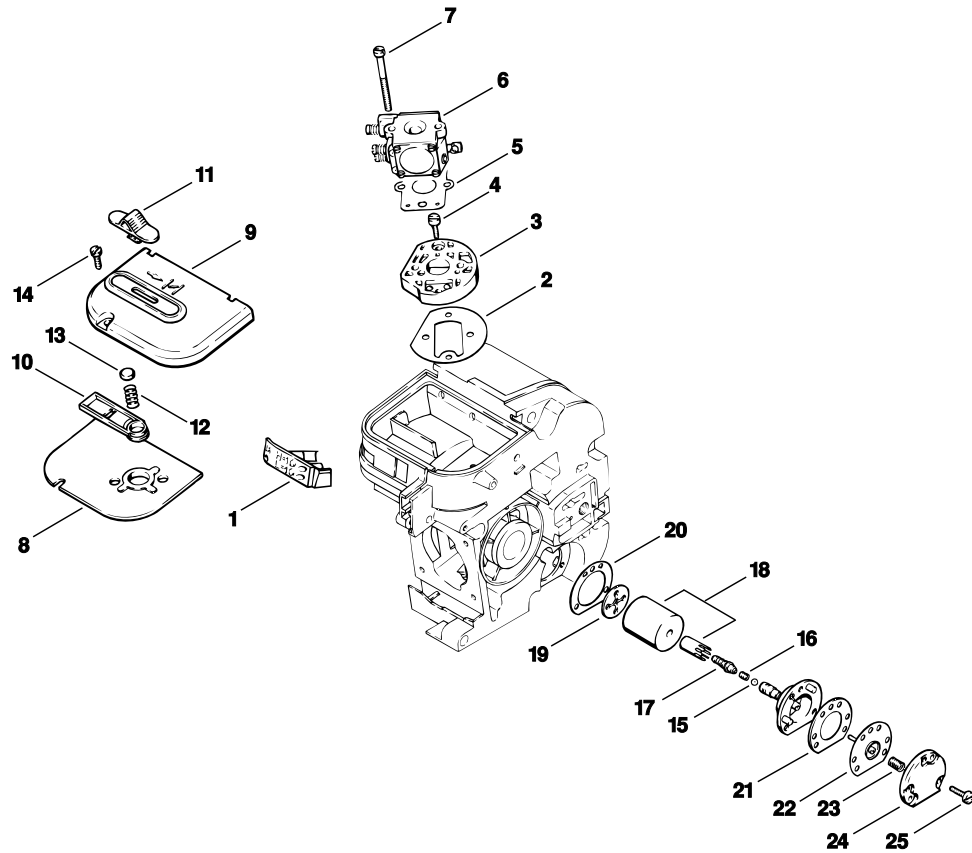


Ref. ID	Part Number	Qty.	Part Name
1	* 1110 141 9000	1	Screen (27.83)
2	* 1120 029 2301	1	Cylinder gasket → X 12 725 130 (25.84)
3	* 1120 020 1200	1	Cylinder with piston Ø 36mm (1,2) → X 12 725 130 (25.84) □ 4 - 7, 9
4	* 1120 030 2005	1	Piston Ø 36mm (1,2) → X 12 725 130 (25.84) □ 5 - 7, 9
5	* 1120 034 3000	1	Piston ring Ø 36x1.5mm (1,2) → X 12 725 130 (25.84)
6	* 1114 034 3000	1	Piston ring Ø 38x1.5mm (3) → X 12 725 130 (25.84)
7	* 1120 034 1500	1	Piston pin (1,2) → X 12 725 130 (25.84)
8	* 1116 034 1501	1	Piston pin (3) → X 12 725 130 (25.84)
9	* 9462 650 0900	2	Snap ring 9 → X 12 725 130 (25.84)
10	* 9036 341 1350	2	Socket head screw M6x25 → X 12 725 130 (25.84)
11	* 9331 630 0120	2	Conical spring washer 5 (32.88)
12	* 9007 224 1120	2	Hexagon head screw M5x55 (32.88)
13	* 1120 030 2009	1	Piston Ø 36mm (4,5,6,8) (32.88) □ 8, 14, 15
14	* 9463 650 0900	2	Snap ring 9x0.8 (32.88)
15	* 1120 034 3001	2	Piston ring Ø 36x1.5mm (4,5,6) (32.88)
16	* 1120 034 3001	1	Piston ring Ø 36x1.5mm (8) (32.88)

(1) 009, (2) 009 Q, (3) 009 LQ, (4) 009 E, (5) 009 EQ,
(6) 009 EQZ, (7) 009 LEQZ, (8) 009 MINI BOSS USA

125ET029 SC

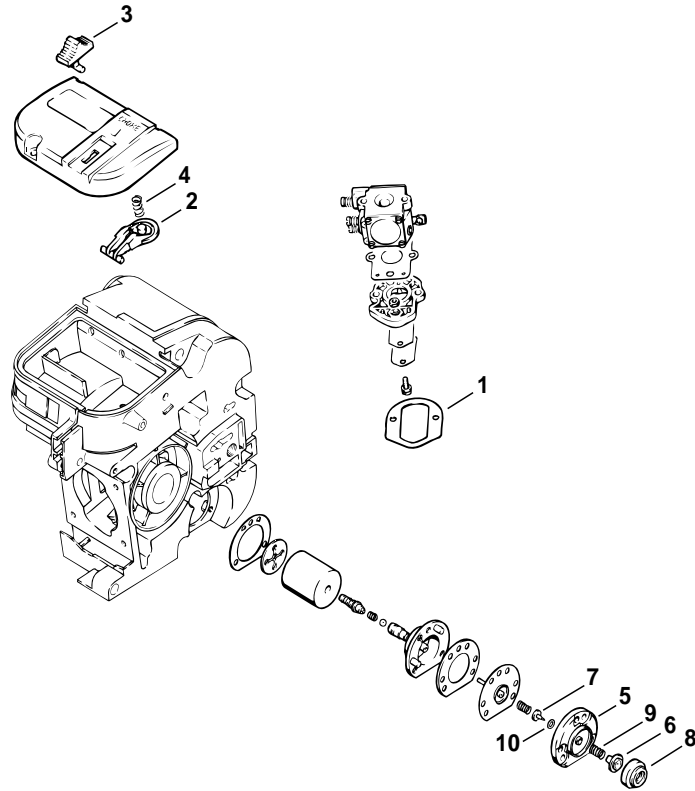
not for reprint



125ET005

Ref. ID	Part Number	Qty.	Part Name
1	1120 121 7700	1	Guide piece (4,5,6,7)
1	1120 121 7701	1	Guide piece CDN (7)
2	1120 129 0506	1	Gasket
3	1120 120 4701	1	Diaphragm □ 2, 5
4	9079 319 0670	2	Flat head screw M4x14
5	1120 129 0500	1	Gasket
6	1120 120 0605	1	Carburetor C1S-S1C
6	1120 120 0606	1	Carburetor WT-323 USA
6	1120 120 0601	1	Carburetor WT-563 CDN
7	9043 216 1101	2	Pan head screw M5x45
8	1120 120 1600	1	Air filter
9	1120 140 1005	1	Filter cover □ 10 - 13
10	1120 121 2905	1	Choke shutter
11	1120 121 2505	1	Shutter
12	0000 997 0706	1	Compression spring
13	1120 121 2700	1	Cap
14	9078 319 0680	1	Flat head screw M4x14
	1120 640 3001	1	Oil pump □ 15 - 24
15	9516 003 1730	1	Ball Ø 4mm
16	0000 997 0333	1	Compression spring
17	0000 988 5208	1	Connector
18	1120 640 1300	1	Filter
19	1120 647 7810	1	Washer
20	1120 649 1101	1	Gasket
21	1120 649 1105	1	Gasket
22	1120 640 3100	1	Plunger with diaphragm
23	0000 997 0610	1	Compression spring
24	1120 647 1200	1	Cover
25	9079 319 0670	3	Flat head screw M4x14

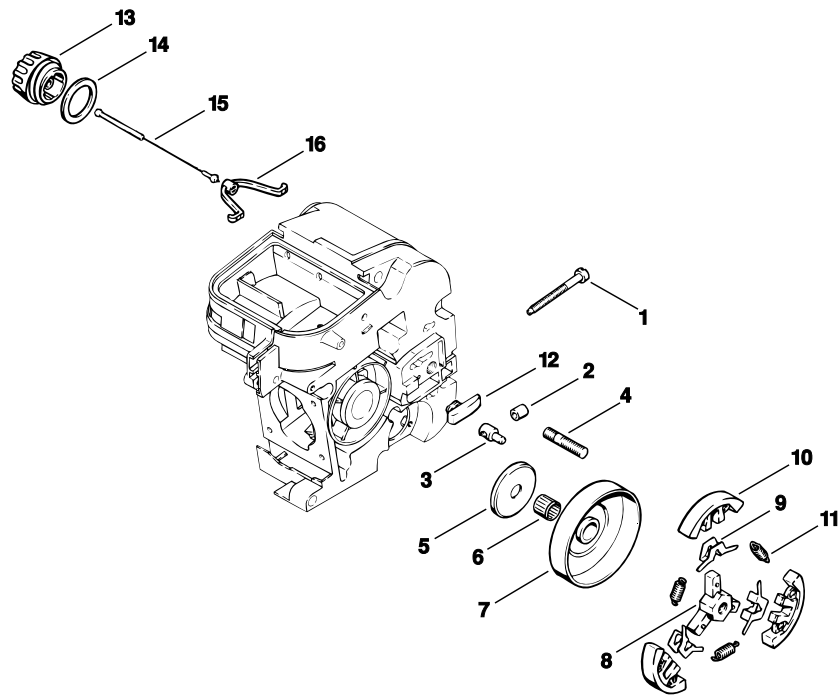
(1) 009, (2) 009 Q, (3) 009 LQ, (4) 009 E, (5) 009 EQ,
(6) 009 EQZ, (7) 009 LEQZ, (8) 009 MINI BOSS USA



Ref. ID	Part Number	Qty.	Part Name
1	* 1120 129 0505	1	Gasket → X 12 725 130 (25.84)
2	* 1120 121 2901	1	Choke shutter → X 17 265 159 (08.88)
3	* 1120 121 2500	1	Shutter → X 17 265 159 (08.88)
4	* 0000 997 0715	1	Compression spring → X 17 265 159 (08.88)
5	* 1120 647 1202	1	Cover (32.88)
6	* 1120 647 8100	1	Thrust bolt (32.88)
7	* 1120 647 9800	1	Pin (32.88)
8	* 1120 647 9200	1	Cap (32.88)
9	* 0000 997 0612	1	Helical spring (32.88)
10	* 9646 951 0150	1	O-ring 4x1 (32.88)

125ET030 SC

not for reprint

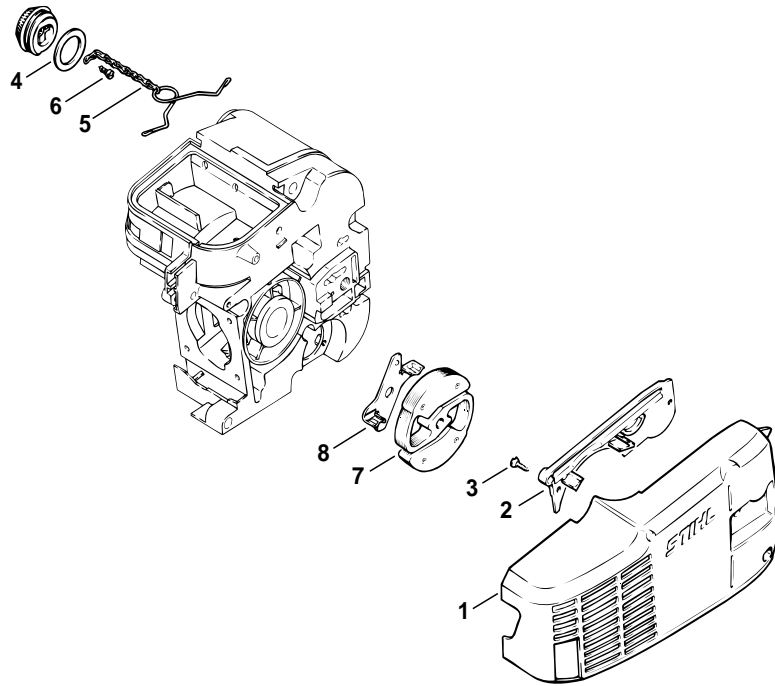


Ref. ID	Part Number	Qty.	Part Name
1	9043 319 8100	1	Pan head screw M5x50
2	1120 664 2600	1	Hose
3	1120 664 1500	1	Tensioning nut
4	9121 319 1830	1	Stud M8x25
5	1120 642 8700	1	Thrust washer
6	9512 933 2270	1	Needle cage 10x13x13
7	1120 640 2005	1	Chain sprocket 3/8" Picco 7T
	1120 640 2000	1	Chain sprocket 3/8" Picco 6T (A, B)
	1120 640 2010	1	Chain sprocket 1/4" 8T (A, B)
	1120 160 2003	1	Clutch □ 8 - 11
8	1120 162 3200	1	Carrier
9	1121 162 3000	3	Retainer
10	1129 162 0800	3	Clutch shoe
11	0000 997 5625	3	Tension spring
12	1121 648 6600	2	Bumper strip
13	0000 350 0510	2	Filler cap □ 14 - 16
14	0000 359 1210	2	Sealing ring
15	0000 350 0900	2	Rope (4,5,6,7)
16	0000 353 0600	2	Hook (4,5,6,7)

(1) 009, (2) 009 Q, (3) 009 LQ, (4) 009 E, (5) 009 EQ,
(6) 009 EQZ, (7) 009 LEQZ, (8) 009 MINI BOSS USA

125ET007

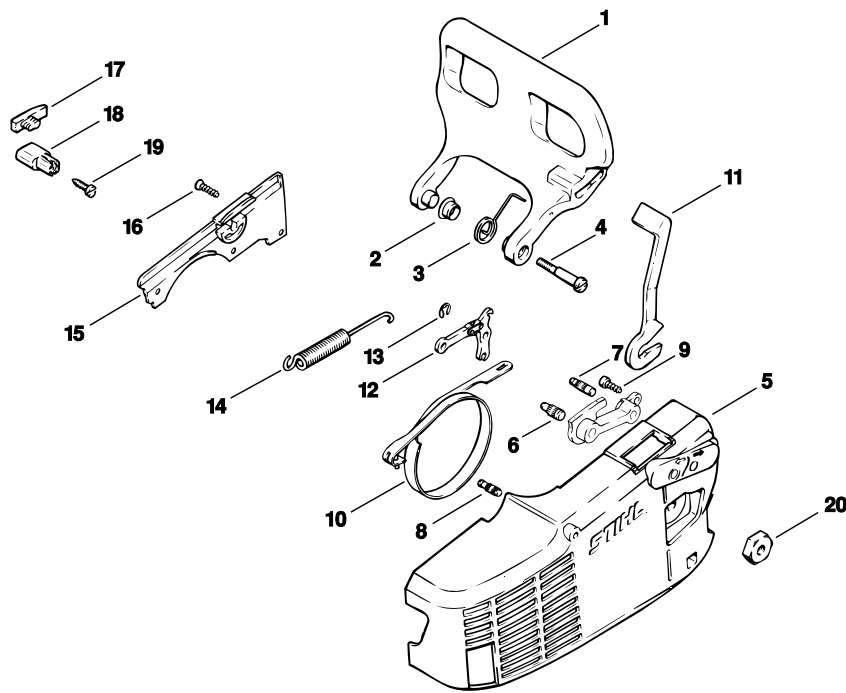
not for reprint



Ref. ID	Part Number	Qty.	Part Name
1	* 1120 640 1710	1	Chain sprocket cover → X 12 725 130 (25.84)
2	* 1120 648 7700	1	Cover → X 12 725 130 (25.84)
3	* 9097 021 2400	3	Countersunk screw 3.5x13 → X 12 725 130 (25.84)
4	* 0000 992 6305	2	Sealing ring (30.89)
5	* 1117 350 0901	2	Filler cap retainer (30.89)
6	* 9099 021 2360	2	Self-tapping screw 3.5x9.5 (30.89)
7	* 1120 160 2000	1	Clutch (30.89)
8	* 1120 162 1900	1	Support plate (30.89)

125ET031 SC

not for reprint



Ref. ID	Part Number	Qty.	Part Name
1	1120 790 9100	1	Hand guard
2	1120 791 7200	1	Sleeve
3	0000 998 1404	1	Torsion spring
4	1120 792 3300	1	Collar screw
	1120 640 1717	1	Chain sprocket cover
5	1120 640 1716	1	Chain sprocket cover
			□ 5 - 16
			□ 6 - 9, 15, 16
6	1120 162 5202	1	Pin
7	1120 162 5203	1	Pin
8	1120 162 5200	1	Pin
9	9104 003 0650	1	Self-tapping screw P4x10
10	1121 160 5400	1	Brake band
11	1120 162 5000	1	Lever
12	1121 160 5000	1	Lever
13	9460 624 0400	1	E-clip 4
14	0000 997 1017	1	Tension spring
15	1120 648 7705	1	Cover
16	9076 478 2996	3	Pan head self-tapping screw P4x12
17	1121 648 6600	1	Bumper strip
18	1120 656 7700	1	Chain catcher (4,5,6,7)
19	9099 021 2790	1	Self-tapping screw 3.9x16 (4,5,6,7)
20	0000 955 0801	1	Collar nut M8

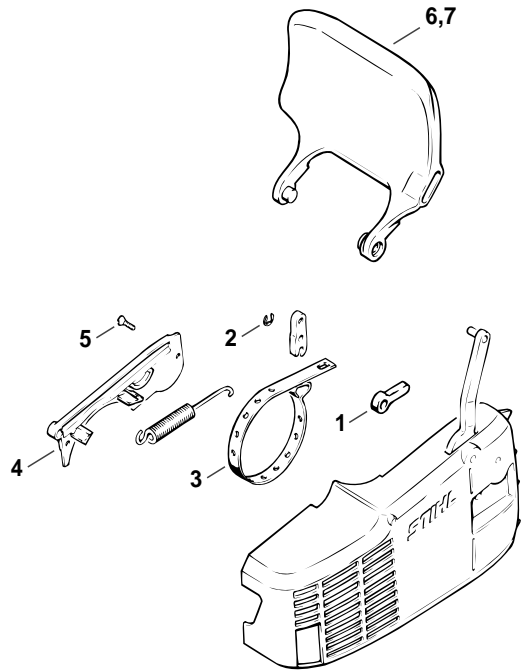
(1) 009, (2) 009 Q, (3) 009 LQ, (4) 009 E, (5) 009 EQ,
 (6) 009 EQZ, (7) 009 LEQZ, (8) 009 MINI BOSS USA

125ET009

not for reprint

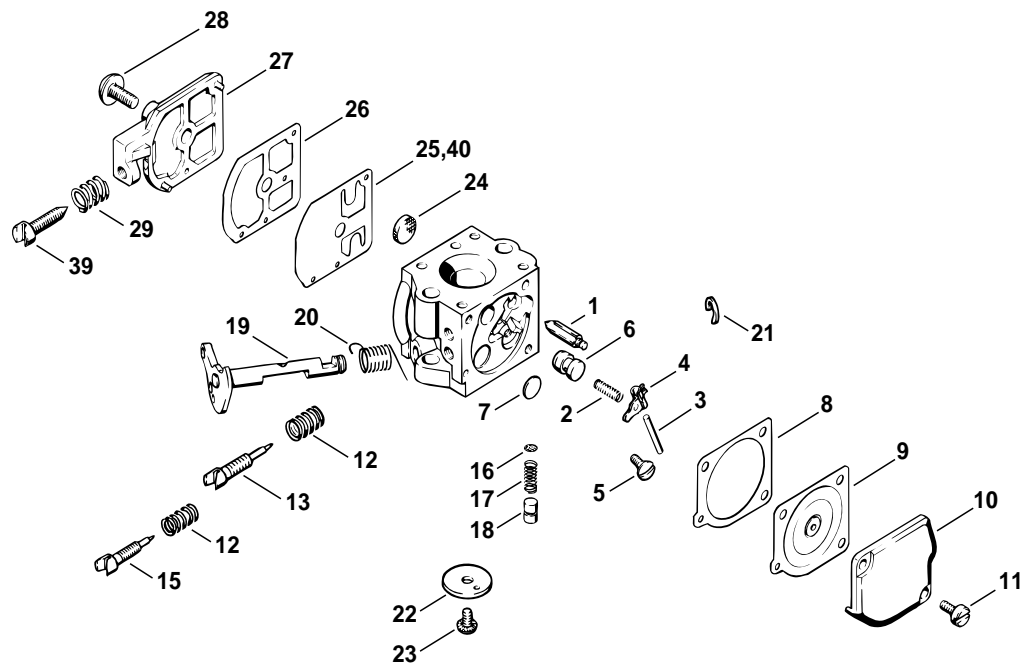


Ref. ID	Part Number	Qty.	Part Name
1	* 1118 162 5001	1	Lever → X 12 725 130 (25.84)
2	* 9460 624 0400	1	E-clip 4 → X 12 725 130 (25.84)
3	* 1120 162 5400	1	Brake band → X 12 725 130 (25.84)
4	* 1120 648 7700	1	Cover → X 12 725 130 (25.84)
5	* 9062 319 0650	3	Countersunk screw M4x10 → X 12 725 130 (25.84)
6	* 1120 792 9106	1	Hand guard → X 12 725 130 (25.84)
7	* 1120 792 9100	1	Hand guard



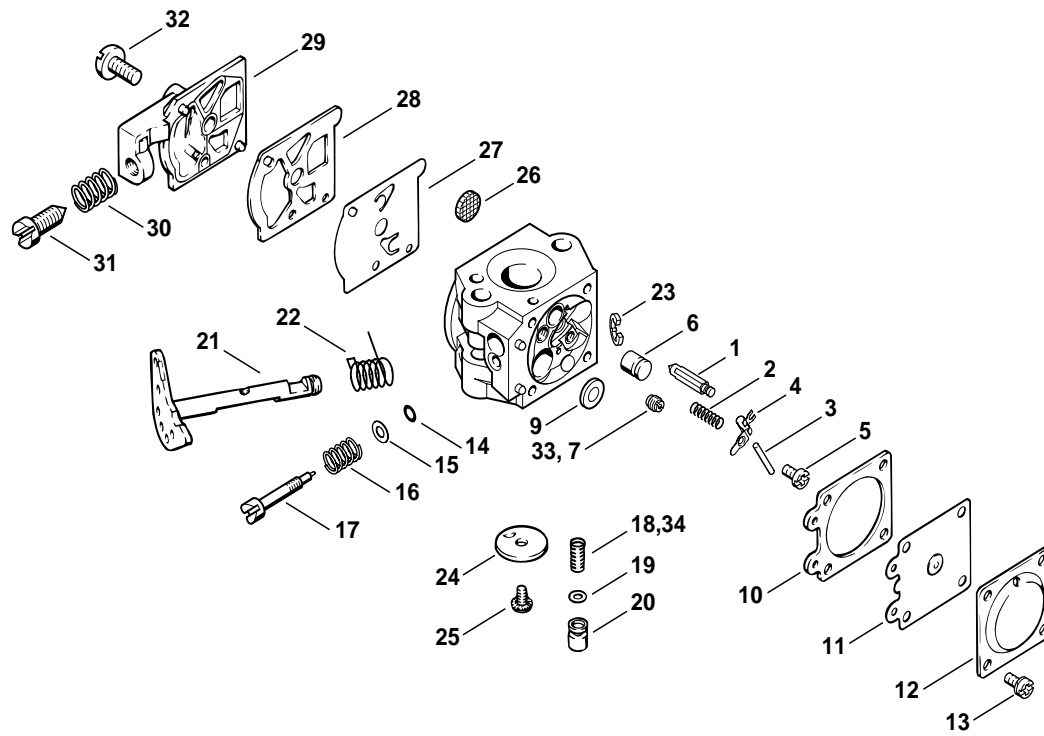
125ET1032 SC

not for reprint



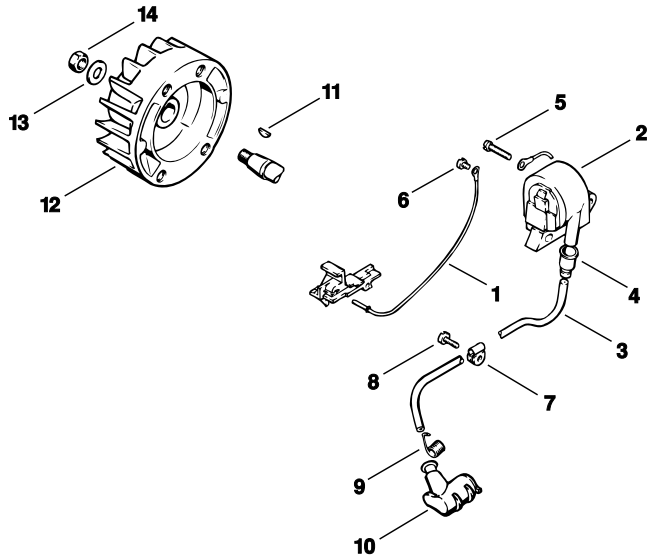
125ET1036 SC

Ref. ID	Part Number	Qty.	Part Name
	1120 120 0605	1	Carburetor C1S-S1C □ 1 - 30
1	1110 121 5100	1	Inlet needle
2	1120 122 3001	1	Spring
3	1120 121 9200	1	Spindle
4	1120 121 5000	1	Inlet control lever
5	1120 122 6600	1	Collar screw
6	1120 121 5401	1	Valve jet
7	1120 121 0701	1	Cup plug
8	1120 129 0902	1	Gasket
9	1120 121 4700	1	Metering diaphragm
10	1120 121 0802	1	End cover
11	1120 122 6601	2	Collar screw
12	1120 122 3005	2	Spring
13	1120 122 6702	1	High speed adjustment screw
15	1120 122 6801	1	Low speed adjustment screw
16	1120 121 7801	1	Strainer
17	1120 122 3006	1	Spring
18	1120 121 5800	1	Pump piston
19	1120 120 7102	1	Throttle shaft with lever
20	1120 122 3002	1	Torsion spring
21	1120 122 9000	1	E-clip
22	1120 121 3301	1	Throttle shutter
23	1120 122 7400	1	Round head screw
24	1120 121 7800	1	Strainer
25	4119 121 4800	1	Pump diaphragm
26	1120 129 0901	1	Gasket
27	1120 121 0801	1	End cover
28	1120 122 7800	1	Oval head screw
29	1120 122 3003	1	Spring
30	1120 122 6200	1	Idle speed adjustment screw
	4119 007 1060	1	Set of carburetor parts □ 8, 9, 25, 26
	* 1120 007 1061	1	Set of carburetor parts (32.88) □ 8, 9, 26, 40
40	* 1120 121 4802	1	Pump diaphragm (32.88)



125ET000 SC

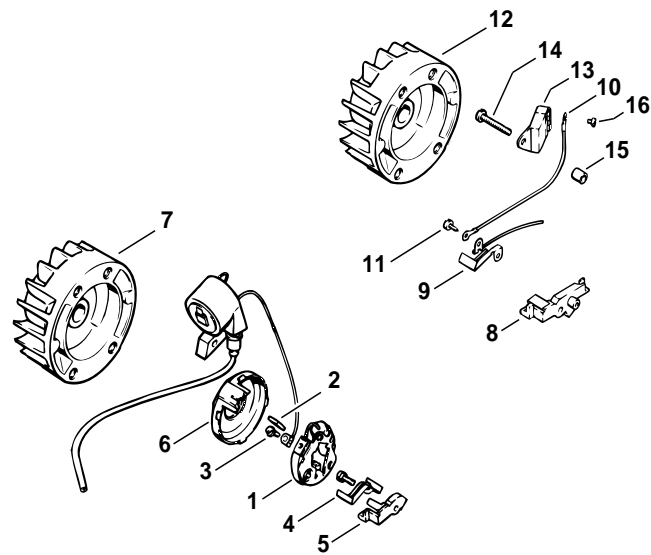
Ref. ID	Part Number	Qty.	Part Name
	1120 120 0606	1	Carburetor WT-323 USA □ 1 - 32
	1120 120 0601	1	Carburetor WT-563 CDN □ 1 - 6, 8 - 17, 19 - 34
1	1110 121 5100	1	Inlet needle
2	1120 122 3001	1	Spring
3	1113 121 9200	1	Spindle
4	1113 121 5000	1	Inlet control lever
5	1114 122 7400	1	Round head screw
6	1120 121 5405	1	Valve jet
7	1122 121 5608	1	Fixed jet 0.60
9	4117 122 9402	1	Plug
10	1120 129 0900	1	Gasket
11	1113 121 4705	1	Metering diaphragm
12	1113 121 0800	1	End cover
13	1106 122 7400	4	Round head screw
14	4124 122 3600	1	Sealing ring
15	1111 121 8605	1	Washer
16	1115 122 3002	1	Spring
17	1123 122 6802	1	Low speed adjustment screw
18	1120 121 2402	1	Spring
19	1120 122 3600	1	Sealing ring
20	1120 121 5801	1	Pump piston
21	1120 120 7101	1	Throttle shaft with lever
22	1113 122 3205	1	Torsion spring
23	1117 122 9000	1	E-clip
24	1120 121 3302	1	Throttle shutter
25	1110 122 7400	1	Round head screw
26	1114 121 7800	1	Strainer
27	1120 121 4805	1	Pump diaphragm
28	1120 129 0905	1	Gasket
29	1120 120 0800	1	End cover □ 30, 31
30	4117 122 3006	1	Spring
31	4117 122 6200	1	Idle speed adjustment screw
32	1114 122 7100	1	Screw
33	1127 121 5602	1	Fixed jet 0.58
34	1132 122 3000	1	Spring



Ref. ID	Part Number	Qty.	Part Name
1	1120 440 2202	1	Ground wire
2	0000 400 1306	1	Ignition module
3		1	Ignition lead 360mm
	0000 405 0600	1	Ignition lead 1m (A)
	0000 930 2251	1	Ignition lead 10m (A)
4	0000 989 1010	1	Grommet
5	9048 319 0710	1	Pan head screw M4x20
6	9041 216 0300	1	Pan head screw M3x4
7	9778 021 1040	1	Tube clamp 5x9
8	9079 319 0650	1	Flat head screw M4x10
9	0000 998 0604	1	Torsion spring
10	1128 405 1000	1	Spark plug boot
11	1120 036 8500	1	Woodruff key 2x3.7
12	1120 400 1201	1	Flywheel
13	9291 021 0180	1	Washer 8.4
14	9210 261 1140	1	Hexagon nut M8x1

125ET014

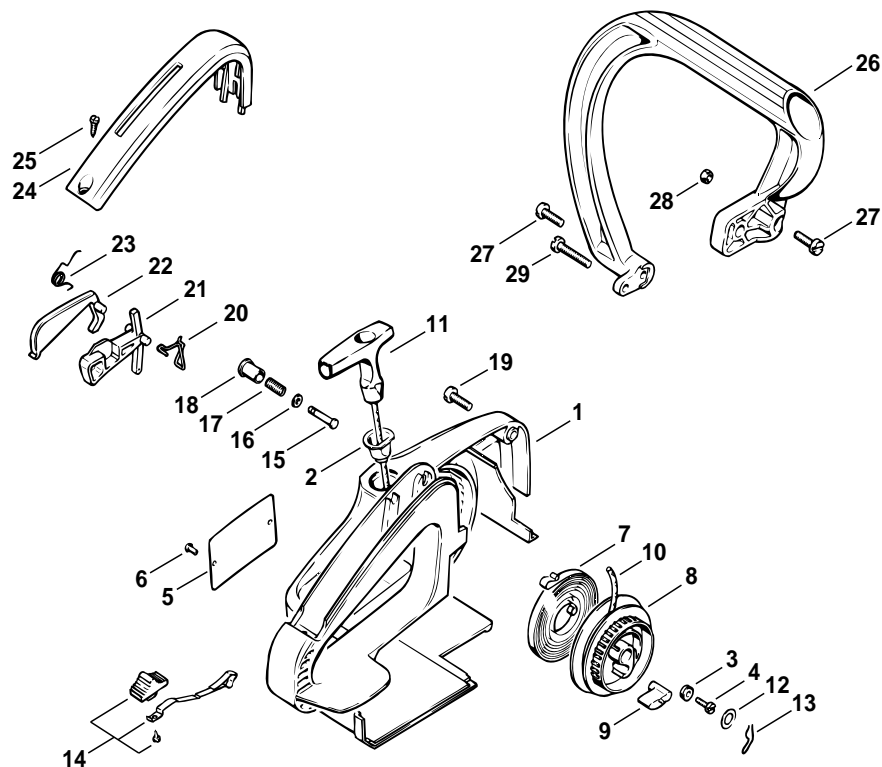
not for reprint



Ref. ID	Part Number	Qty.	Part Name
1	* 1116 400 2000	1	Set of points (27.83) □ 2, 3
2	* 1116 404 4200	1	Felt wick (27.83)
3	* 1116 404 7800	1	Screw (27.83)
4	* 1120 431 7005	1	Contact spring (27.83)
5	* 1120 431 2501	1	Cable clamp (27.83)
6	* 1120 404 8100	1	Cover (27.83)
7	* 1120 400 1200	1	Flywheel (27.83)
8	* 1120 431 2503	1	Cable clamp → X 12 725 130 (25.84)
9	* 1120 431 7001	1	Contact spring → X 12 725 130 (25.84)
10	* 1120 440 2201	1	Ground wire → X 12 725 130 (25.84)
11	* 9099 021 2360	1	Self-tapping screw 3.5x9.5 → X 12 725 130 (25.84)
12	* 1120 400 1205	1	Flywheel → X 12 725 130 (25.84)
13	* 1118 400 1001	1	Trigger unit → X 15 141 563 (27.86)
14	* 9048 319 0740	1	Pan head screw M4x25 → X 15 141 563 (27.86)
15	* 1120 405 1800	1	Spacer sleeve → X 15 141 563 (27.86)
16	* 9041 216 0300	1	Pan head screw M3x4 → X 15 141 563

125ET033 SC

not for reprint

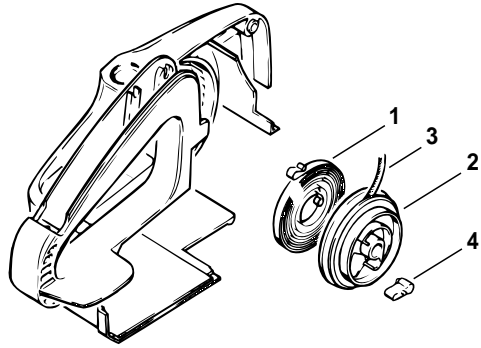


125ET1038 GM

Ref. ID	Part Number	Qty.	Part Name
1	1120 080 1806	1	Fan housing □ 2 - 4
2	1110 084 9102	1	Bushing
3	1120 195 9000	1	Washer
4	9099 021 0820	1	Self-tapping screw 4.2x16
5	1120 967 1520	1	Model plate 009 E
5	1120 967 1521	1	Model plate 009 EQ
5	1120 967 1522	1	Model plate 009 LEQ
6	0000 974 1000	2	Round head rivet 3x6
	0000 967 3541	1	Instruction label USA (A)
7	1120 195 1600	1	Rewind spring
8	1120 007 1007	1	Rope rotor kit □ 9
9	1125 195 7200	1	Pawl
10	1120 195 8200	1	Starter rope Ø 3x1060mm
11	1121 195 3400	1	Starter grip
12	0000 958 0806	1	Washer
13	1118 195 3500	1	Spring
14	1120 430 0205	1	Stop switch
15	1113 182 8901	1	Pin
16	0000 958 0403	1	Washer
17	0000 997 0603	1	Compression spring
18	1113 182 9305	1	Starting throttle lock
19	9079 319 1010	2	Flat head screw M5x18
20	1120 182 1505	1	Throttle rod
21	1120 182 1005	1	Throttle trigger
22	1120 182 0805	1	Trigger interlock
23	0000 998 0701	1	Torsion spring
24	1120 791 0605	1	Handle molding
25	9099 021 2770	1	Self-tapping screw 3.9x13
26	1120 791 1705	1	Handlebar
27	9079 319 1010	2	Flat head screw M5x18
28	9214 320 0700	1	Lock nut M5
29	9079 319 1050	1	Flat head screw M5x25

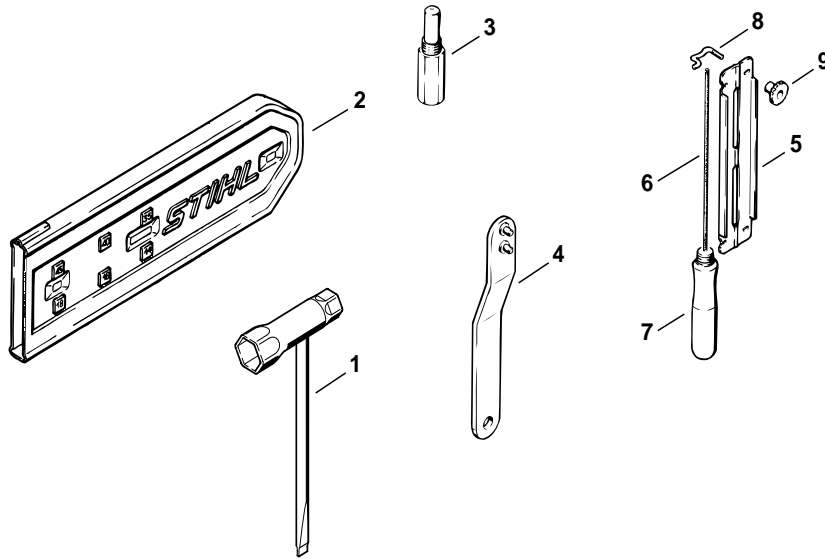


Ref. ID	Part Number	Qty.	Part Name
1 *	1116 195 1600	1	Rewind spring → X 12 725 130 (25.84)
2 *	1120 195 0400	1	Rope rotor → X 12 725 130 (25.84)
3 *	1113 195 8200	1	Starter rope Ø 3.5x960mm → X 12 725 130 (25.84)
4 *	1118 195 7200	1	Pawl → X 13 786 094 (35.85)



125ET1039 GM

not for reprint

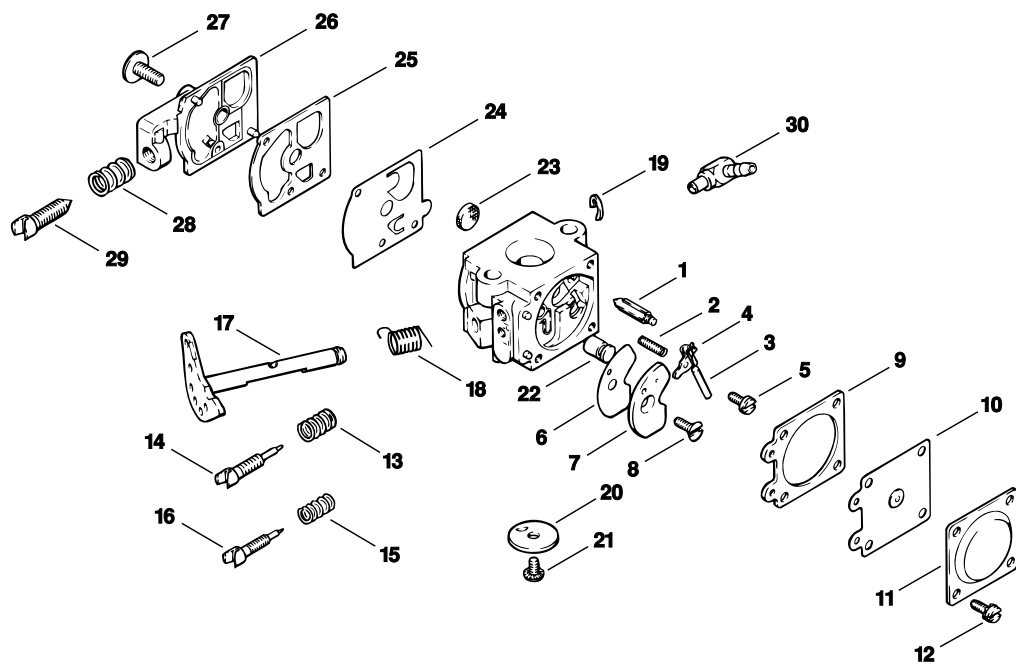


Ref. ID	Part Number	Qty.	Part Name
			Tools:
1	1129 890 3401	1	Combination wrench
2	0000 792 9128	1	Chain scabbard (4,5,6,7)
			Extras:
3	1107 191 1201	1	Locking screw
4	1113 890 3600	1	Wrench
5	5605 750 4310	1	File holder
			□ 6 - 9
6	0811 411 8068	1	Round file Ø 3.5x150mm
7	0811 490 7780	1	File handle A80
8	5605 752 8300	2	Bow
9	5605 752 7700	2	Nut
			1120 007 1050
			1 Set of gaskets (A)
			1120 007 1062
			1 Set of gaskets (A)
			1120 007 1060
			1 Set of carburetor parts WA (A)
			1120 007 1064
			1 Set of carburetor parts WT (A)
			0000 930 2203
			1 Starter rope Ø 3.5mm x 30.5m (A)
			0000 930 2211
			1 Starter rope Ø 3mm x 60.8m (A)
			0000 930 2207
			1 Fuel hose 3m / 118" (A)

(1) 009, (2) 009 Q, (3) 009 LQ, (4) 009 E, (5) 009 EQ,
 (6) 009 EQZ, (7) 009 LEQZ, (8) 009 MINI BOSS USA

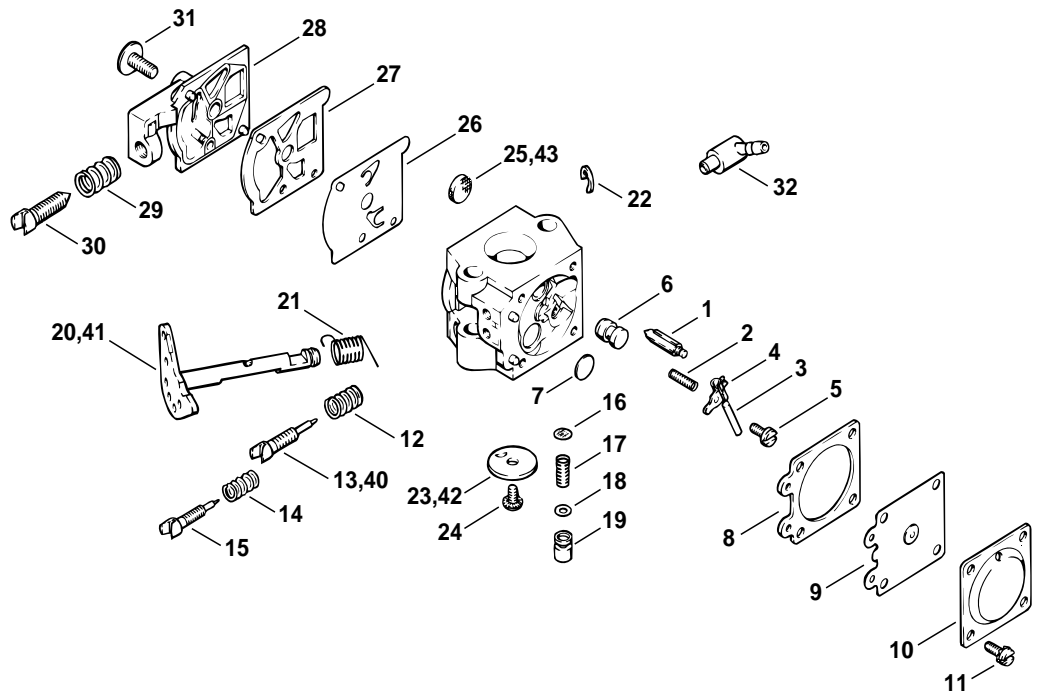
125ET037 SC

not for reprint



125ET020

Ref. ID	Part Number	Qty.	Part Name
	* 1120 120 0602	1	Carburetor WA-99B (C) (27.86)
1	* 1110 121 5100	1	Inlet needle (27.86)
2	* 1120 122 3001	1	Spring (27.86)
3	* 1113 121 9200	1	Spindle (27.86)
4	* 1113 121 5000	1	Inlet control lever (27.86)
5	* 1114 122 7400	1	Round head screw (27.86)
6	* 1113 129 0905	1	Gasket (27.86)
7	* 1114 121 7401	1	Plate (27.86)
8	* 1110 122 7800	1	Oval head screw (27.86)
9	* 1120 129 0900	1	Gasket (27.86)
10	* 1113 121 4705	1	Metering diaphragm (27.86)
11	* 1113 121 0800	1	End cover (27.86)
12	* 1106 122 7400	4	Round head screw (27.86)
13	* 1106 122 3000	1	Spring (27.86)
14	* 1120 122 6701	1	High speed adjustment screw (27.86)
15	* 1110 122 3030	1	Spring (27.86)
16	* 1120 122 6800	1	Low speed adjustment screw (27.86)
17	* 1120 120 7100	1	Throttle shaft with lever (27.86)
18	* 1113 122 3205	1	Torsion spring (27.86)
19	* 1117 122 9000	1	E-clip (27.86)
20	* 1120 121 3300	1	Throttle shutter (27.86)
21	* 1110 122 7400	1	Round head screw (27.86)
22	* 1114 121 5400	1	Valve jet (27.86)
23	* 1116 121 7800	1	Strainer (27.86)
24	* 1114 121 4800	1	Pump diaphragm (27.86)
25	* 1114 129 0900	1	Gasket (27.86)
26	* 1120 121 0800	1	End cover (27.86)
27	* 1114 122 7100	1	Screw (27.86)
28	* 1116 122 3015	1	Spring (27.86)
29	* 1116 122 6200	1	Idle speed adjustment screw (27.86)
30	* 1117 122 3900	1	Elbow connector (27.86)



125ET035 SC

Ref. ID	Part Number	Qty.	Part Name
	* 1120 120 0604	1	Carburetor WT-29 A → X 15 067 913 (12.87) □ 1 - 32
1	* 1110 121 5100	1	Inlet needle → X 15 067 913 (12.87)
2	* 1120 122 3001	1	Spring → X 15 067 913 (12.87)
3	* 1113 121 9200	1	Spindle → X 15 067 913 (12.87)
4	* 1113 121 5000	1	Inlet control lever → X 15 067 913 (12.87)
5	* 1114 122 7400	1	Round head screw → X 15 067 913 (12.87)
6	* 1120 121 5405	1	Valve jet → X 15 067 913 (12.87)
7	* 4117 122 9402	1	Plug → X 15 067 913 (12.87)
8	* 1120 129 0900	1	Gasket → X 15 067 913 (12.87)
9	* 1113 121 4705	1	Metering diaphragm → X 15 067 913 (12.87)
10	* 1113 121 0800	1	End cover → X 15 067 913 (12.87)
11	* 1106 122 7400	4	Round head screw → X 15 067 913 (12.87)
12	* 1106 122 3000	1	Spring → X 15 067 913 (12.87)
13	* 1118 122 6700	1	High speed adjustment screw → X 15 067 913 (12.87)
14	* 1110 122 3030	1	Spring → X 15 067 913 (12.87)
15	* 1120 122 6805	1	Low speed adjustment screw → X 15 067 913 (12.87)
16	* 1120 121 7802	1	Strainer → X 15 067 913 (12.87)
17	* 1120 121 2402	1	Spring → X 15 067 913 (12.87)
18	* 1120 122 3600	1	Sealing ring → X 15 067 913 (12.87)
19	* 1120 121 5801	1	Pump piston → X 15 067 913 (12.87)
20	* 1120 120 7101	1	Throttle shaft with lever → X 15 067 913 (12.87)
21	* 1113 122 3205	1	Torsion spring → X 15 067 913 (12.87)
22	* 1117 122 9000	1	E-clip → X 15 067 913 (12.87)
23	* 1120 121 3302	1	Throttle shutter → X 15 067 913 (12.87)
24	* 1110 122 7400	1	Round head screw → X 15 067 913 (12.87)
25	* 1114 121 7800	1	Strainer → X 15 067 913 (12.87)
26	* 1120 121 4805	1	Pump diaphragm → X 15 067 913 (12.87)
27	* 1120 129 0905	1	Gasket → X 15 067 913 (12.87)
28	* 1120 120 0800	1	End cover → X 15 067 913 (12.87) □ 29, 30
29	* 4117 122 3006	1	Spring → X 15 067 913 (12.87)
30	* 4117 122 6200	1	Idle speed adjustment screw → X 15 067 913 (12.87)
31	* 1114 122 7100	1	Screw → X 15 067 913 (12.87)
32	* 1117 122 3900	1	Elbow connector → X 15 067 913 (12.87)
	* 1120 120 0603	1	Carburetor WT-21 → X 15 067 913 (12.87) □ 1 - 11, 13, 14, 21, 23 - 32, 40 - 43
40	* 1120 122 6705	1	High speed adjustment screw → X 15 067 913 (12.87)
41	* 1120 120 7100	1	Throttle shaft with lever → X 15 067 913 (12.87)
42	* 1114 121 3300	1	Throttle shutter → X 15 067 913 (12.87)
43	* 1116 121 7800	1	Strainer → X 15 067 913 (12.87)