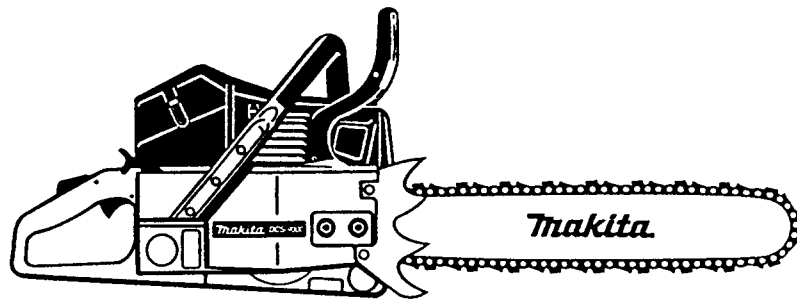




# GASOLINE CHAIN SAW

DCS9000FL  
Flush Cut Handle Bar  
DCS9000FW  
Full-Wrap Handle Bar



(Shown with optional Bar & Chain)

## CONTENTS

- 1) Cylinder, Piston, Crankshaft, Crankcase with Oil Tank
- 2) Fuel Tank with Grip, Tubular Grip, Rubber Buffer
- 3) Ignition Electronics, Flywheel, Starter
- 4) Oil Pump, Clutch, Chain Brake
- 5) Hood, Air Filter, Intake System, Muffler
- 6) Carburetor
- 7) Accessories

**IMPORTANT** - To assure product SAFETY and RELIABILITY, repairs, maintenance or adjustments should be performed by MAKITA Service Centers or other qualified service organizations. Always use MAKITA replacement parts.

# 1) Cylinder, Piston, Crankshaft, Crankcase with Oil Tank

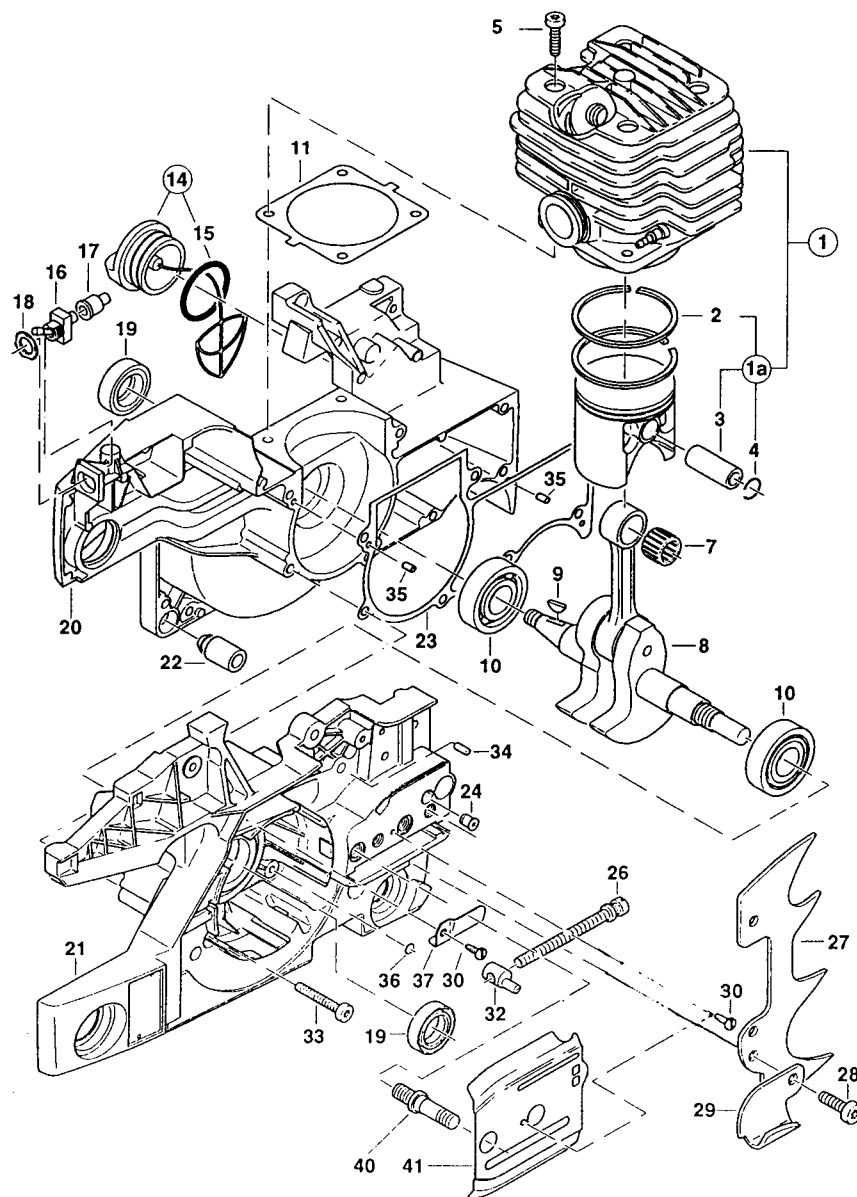


Fig.	Part No.	Qty. Used	Description	Fig.	Part No.	Qty. Used	Description
1	024-130-300	1	CYLINDER & PISTON ASS'Y.	21	024-111-611	1	CRANKCASE, CLUTCH SIDE
1A	024-132-020	1	PISTON COMP.	22	965-403-370	1	SHOCK ABSORBER
2	133-132-050	2	PISTON RING	23	965-525-070	1	GASKET
3	031-132-090	1	PISTON PIN	24	965-404-260	1	VENT VALVE
4	119-132-060	2	SPRING RING	26	001-213-160	1	TENSIONING SCREW
5	908-005-205	4	FILLISTER HEAD SCREW	27	024-250-030	1	SPIKE BAR
7	962-210-028	1	NEEDLE CAGE	28	908-006-145	2	FILLISTER HEAD SCREW
8	024-120-022	1	CRANKSHAFT	29	024-111-050	1	CHAIN CATCH
9	939-630-370	1	KEY	30	915-635-100	2	SELF-CUTTING SCREW
10	960-102-179	2	BALL BEARING	32	001-213-170	1	NUT W/PIVOT
11	965-525-060	1	GASKET	33	908-005-305	7	SCREW 5X30
14	010-114-050	1	OIL TANK PLUG COMP.	34	934-660-250	1	SLOTTED PIN
15	963-228-030	1	GASKET	35	936-430-160	2	SPIRAL CLAMPING PIN
16	965-605-400	1	STOP SWITCH	36	963-204-015	1	PACKING RING
17	965-605-131	1	RUBBER BUSH	37	024-111-100	1	SAFETY PLATE
18	965-605-120	1	NUT	40	024-232-040	2	BOLT
19	962-900-054	2	RADIAL RING	41	024-111-031	1	GUIDE PLATE
20	024-111-621	1	CRANKCASE, MAG. SIDE				

## 2) Fuel Tank with Grip, Tubular Grip, Rubber Buffer

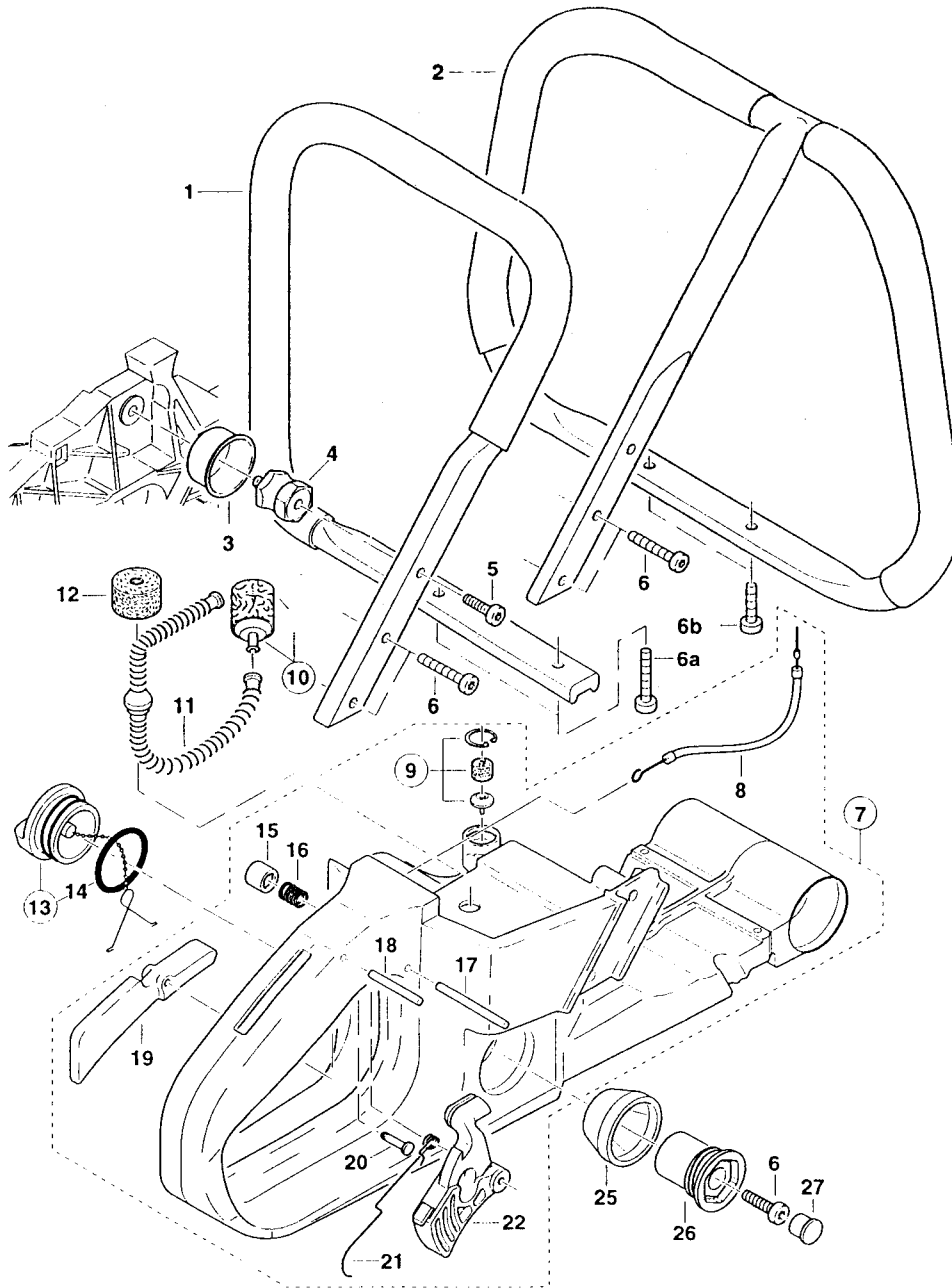


Fig.	Part No.	Qty. Used	Description	Fig.	Part No.	Qty. Used	Description
1	024-310-010	1	FLUSH CUT HANDLE BAR	13	965-450-301	1	TANK PLUG COMP.
2	024-310-100	1	WRAP AROUND HANDLE ASS'Y.	14	963-232-045	1	PACKING RING
3	965-551-250	1	POT	15	965-451-750	1	BUTTON
4	965-403-430	1	RUBBER BUFFER	16	965-551-160	1	PRESSURE SPRING
5	908-005-165	1	FILLISTER HEAD SCREW M5X16	17	935-930-450	1	CYLINDRICAL PIN
6	913-455-304	8	FILLISTER HEAD SCREW	18	935-930-280	1	CYLINDRICAL PIN
6A	913-455-254	2	FILLISTER HEAD SCREW 5.5X25	19	024-117-020	1	CATCH LEVER
6B	913-455-204	2	FILLISTER HEAD SCREW 5.5X20	20	965-551-150	1	STOP PIN
7	024-114-630	1	TANK ASS'Y.	21	024-117-031	1	SPRING
8	965-725-041	1	BOWDEN CABLE COMP.	22	024-117-010	1	THROTTLE LEVER
9	957-114-020	1	AIR VALVE COMP.	25	965-404-720	4	BUSH
10	963-601-260	1	SUCTION HEAD (FUEL)	26	965-403-461	4	RUBBER BUFFER
11	965-404-700	1	FUEL LINE	27	965-404-740	4	PLUG
12	965-404-520	1	GASKET				

### 3) Ignition Electronics, Flywheel, Starter

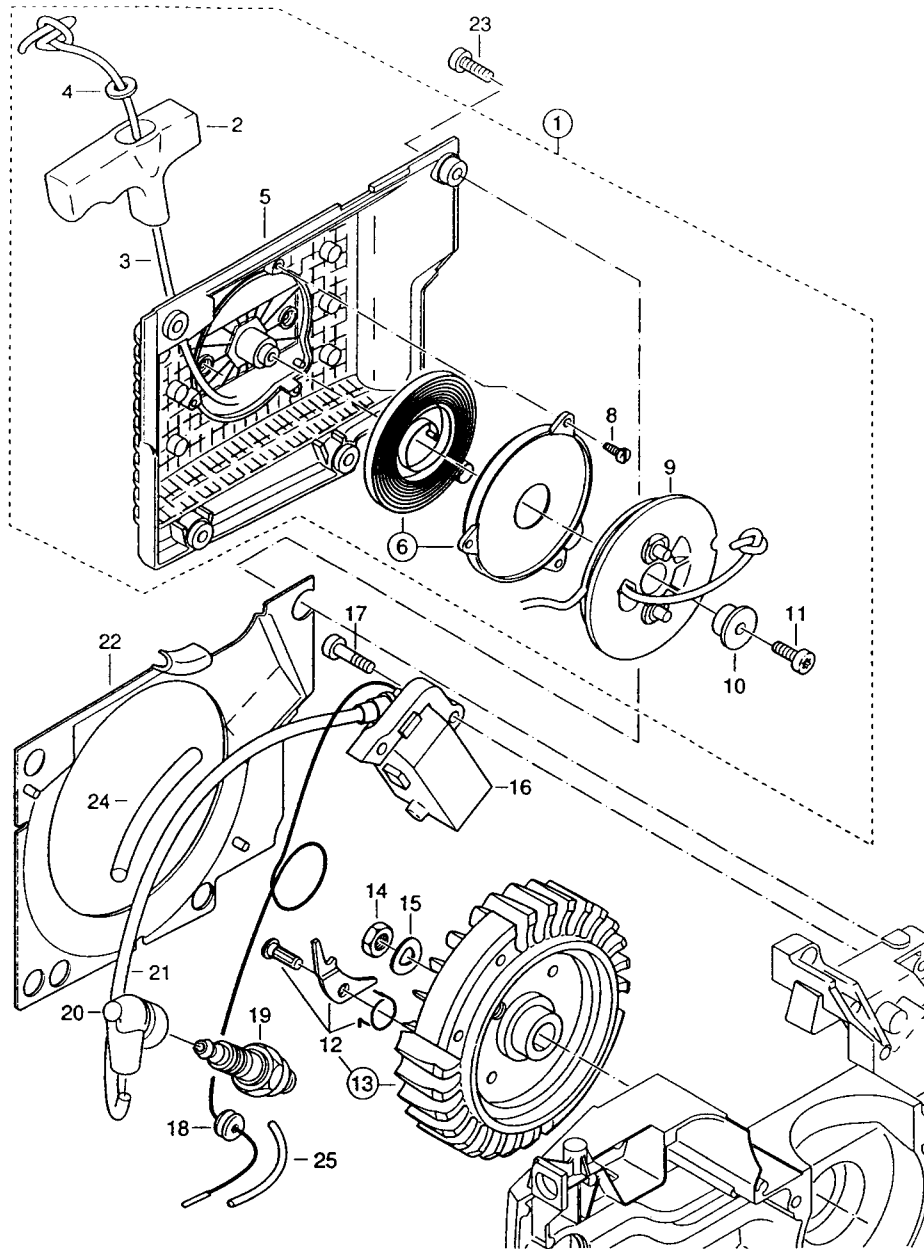


Fig.	Part No.	Qty. Used	Description	Fig.	Part No.	Qty. Used	Description
1	024-112-630	1	STARTER ASS'Y.	14	920-308-024	1	HEX NUT
2	965-402-262	1	STARTER GRIP	15	928-308-001	1	SPRING WASHER
3	122-164-010	1	STARTER ROPE	16	024-143-020	1	IGNITION COIL
4	928-405-000	1	DISC	17	908-605-205	2	SCREW M5X20
5	024-112-680	1	FAN HOUSING	18	965-401-011	1	RUBBER BUSH
6	020-163-031	1	REWIND SPRING	19	965-603-014	1	SPARK PLUG
8	915-635-100	3	FILLISTER TAP SCREW	20	957-604-260	1	PLUG CAP
9	024-162-081	1	CABLE DRUM	21	970-310-200	1	IGNITION CABLE (200mm)
10	024-162-090	1	CABLE DRUM AXLE	22	024-112-021	1	AIR DUCT
11	908-005-205	1	SCREW M5X20	23	908-005-165	4	SCREW M5X16
12	031-166-010	2	STARTER RATCHET	24	970-502-110	1	INSULATING HOSE (125mm)
13	024-141-200	1	FLYWHEEL ASS'Y.	25	970-502-050	1	INSULATING HOSE (100mm)

#### 4) Oil Pump, Clutch, Chain Brake

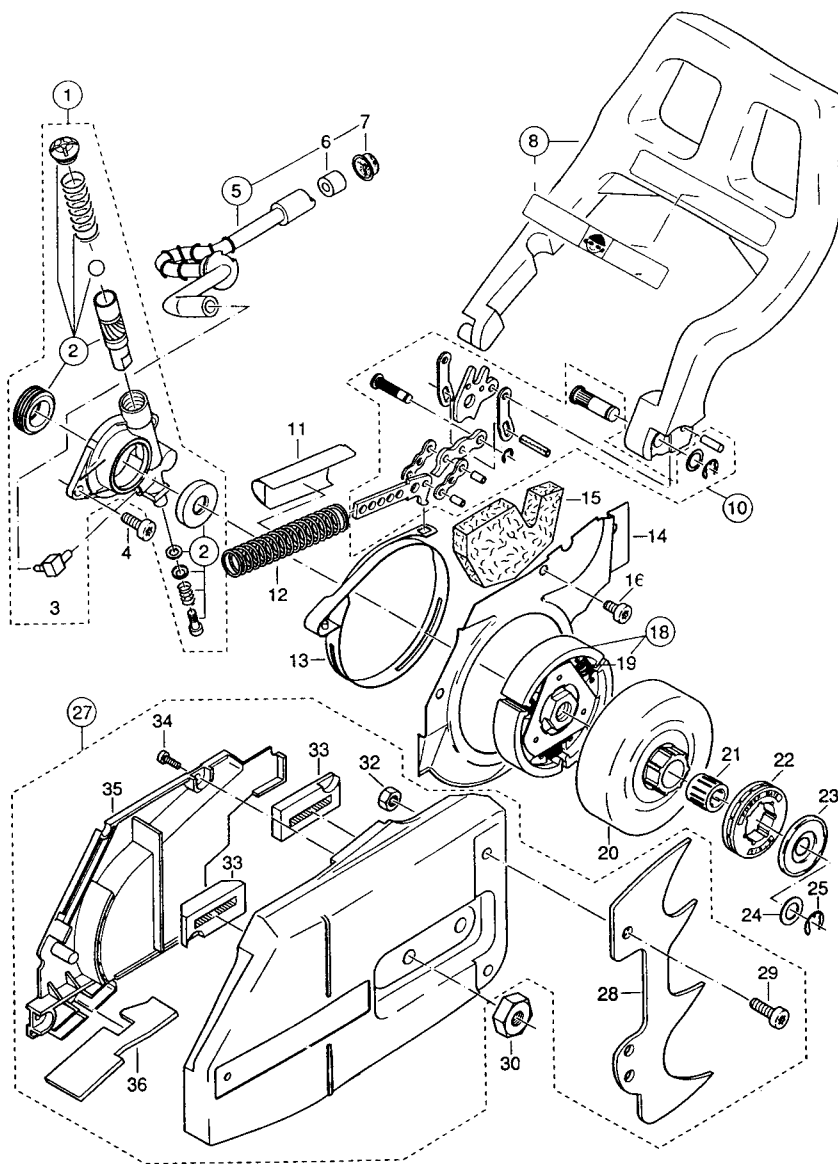


Fig.	Part No.	Qty. Used	Description	Fig.	Part No.	Qty. Used	Description
1	024-245-100	1	OIL PUMP ASS'Y.	19	024-184-021	3	TENSION SPRING
2	957-245-360	1	REPAIR KIT	20	024-223-041	1	CLUTCH DRUM
3	963-608-100	1	ANGULAR NIPPLE	21	962-210-024	1	NEEDLE CAGE
4	908-005-125	2	SCREW M5X12	22	031-224-010	1	RIM SPROCKET
5	024-245-200	1	OIL SUCTION LINE ASS'Y.	23	001-224-011	1	DISC
6	900-005-066	1	DISTANCE RING	24	021-224-010	1	SHIM
7	963-601-100	1	SCREEN	25	927-308-000	1	SAFETY WASHER
8	024-213-180	1	HAND PROTECTION	27	024-213-670	1	SPROCKET GUARD
10	024-213-500	1	BRAKING MECHANISM	28	024-250-030	1	SPIKE BAR
11	024-111-061	1	SPRING GUIDING HEAD	29	908-006-145	2	FILLISTER HEAD SCREW
12	024-213-321	1	PRESSURE SPRING	30	001-213-150	2	HEX NUT
13	024-213-351	1	BRAKE SPRING	32	922-606-000	2	HEX NUT M6
14	024-213-101	1	PLATE	33	024-213-240	2	CHAIN GUIDE
15	965-404-800	1	COVER FOAM PLATE	34	915-635-100	3	SELF-CUTTING SCREW
16	908-005-125	3	SCREW M5X12	35	024-213-221	1	CHIP GUIDE
18	010-180-100	1	CLUTCH ASS'Y.	36	965-404-760	1	RUBBER PLATE

## 5) Hood, Air Filter, Intake System, Muffler

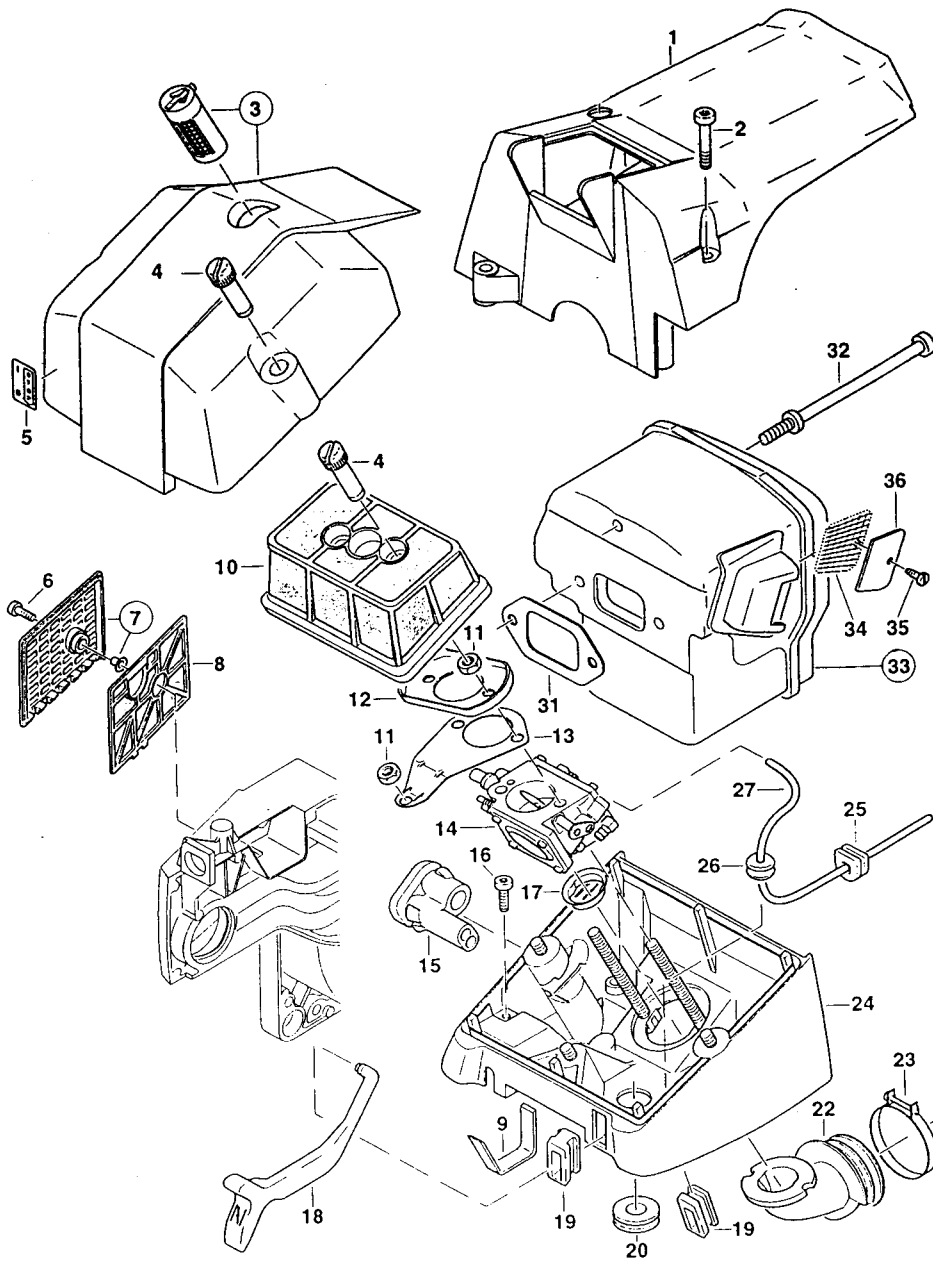


Fig.	Part No.	Qty. Used	Description	Fig.	Part No.	Qty. Used	Description
1	024-118-121	1	HOOD	17	024-131-031	1	INSERT FOR SUCTION HOSE
2	908-305-255	3	FILLISTER HEAD SCREW	18	024-150-020	1	CHOKE SHAFT
3	024-118-111	1	COVER ASS'Y.	19	965-401-021	2	RUBBER BUSH
4	024-173-200	4	NUT	20	965-401-024	1	RUBBER BUSH
5	980-113-841	1	LABEL	22	024-131-021	1	SUCTION HOSE
6	908-605-145	1	FILLISTER HEAD SCREW M5X14	23	965-603-050	1	CLAMP
7	024-173-610	1	COVER FOR PRE-FILTER	24	024-118-060	1	BOTTOM
8	024-173-081	1	PRE-FILTER	25	965-401-016	1	RUBBER BUSH
9	965-404-830	1	GASKET FOR BOTTOM	26	965-401-011	1	RUBBER BUSH
10	024-173-230	1	AIR FILTER	27	965-452-060	1	VENTILATION LINE (160mm)
11	920-205-000	3	HEX NUT M5	31	965-525-101	1	GASKET
12	024-173-160	1	HOLDER FOR AIR FILTER	32	024-174-020	3	SPECIAL SCREW
13	024-150-170	1	SHEET-METAL HOLDER FOR CARB	33	024-174-151	1	MUFFLER ASS'Y.
14	024-152-011	1	CARBURETOR	34	024-174-160	1	SCREEN
15	024-118-051	1	ADJUSTING GUIDE	35	905-042-090	1	SCREW 4.2X9
16	908-005-165	4	SCREW M5X16	36	024-174-040	1	DEFLECTOR PLATE

## 6) Carburetor

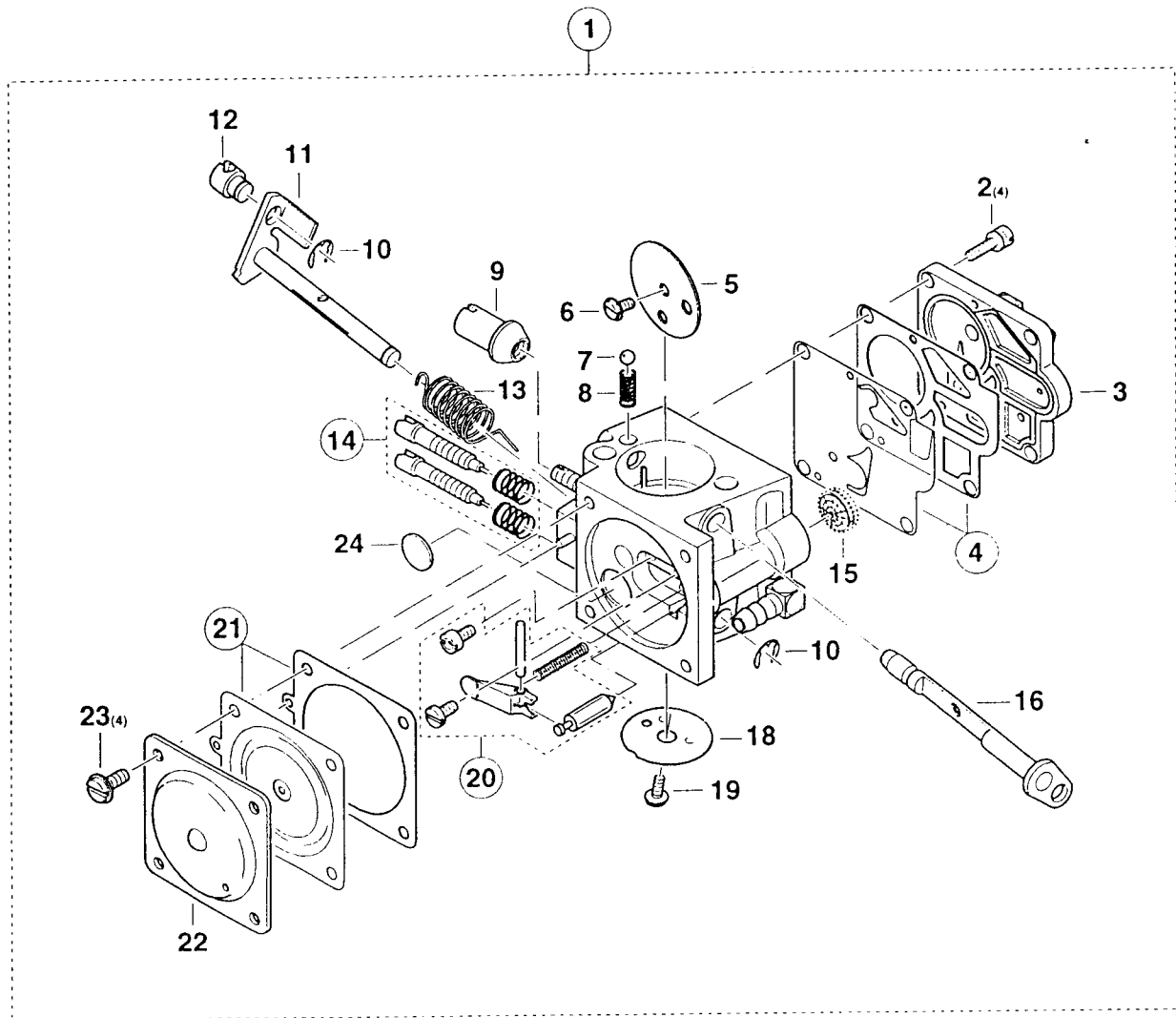


Fig.	Part No.	Qty. Used	Description	Fig.	Part No.	Qty. Used	Description
1	024-152-011	1	CARBURETOR	13	024-152-310	1	SPRING
2	114-152-170	4	SCREW	14	024-152-920	1	ADJUSTMENT SCREW (W/SPRING)
3	024-152-160	1	PUMP COVER	15	024-152-180	1	SCREEN
4	024-152-910	1	PUMP DIAPHRAGM (W/GASKET)	16	024-152-250	1	CHOKE SHAFT
5	024-152-260	1	CHOKE SHUTTER	18	024-152-320	1	THROTTLE SHUTTER
6	114-152-370	1	SCREW	19	114-152-370	1	SCREW
7	114-152-380	1	BALL	20	024-152-900	1	CONTROL PARTS (SET)
8	114-152-080	1	SPRING	21	024-152-930	1	CONTROL DIAPHRAGM (W/GASKET)
9	024-152-240	1	ADJUSTMENT NUT	22	024-152-120	1	DIAPHRAGM COVER
10	114-152-350	2	SAFETY WASHER	23	024-152-140	4	SCREW
11	024-152-300	1	THROTTLE SHAFT	24	024-152-040	1	COVER DISC
12	024-152-500	1	HOLDER FOR BOWDEN CABLE				

# 7) Accessories

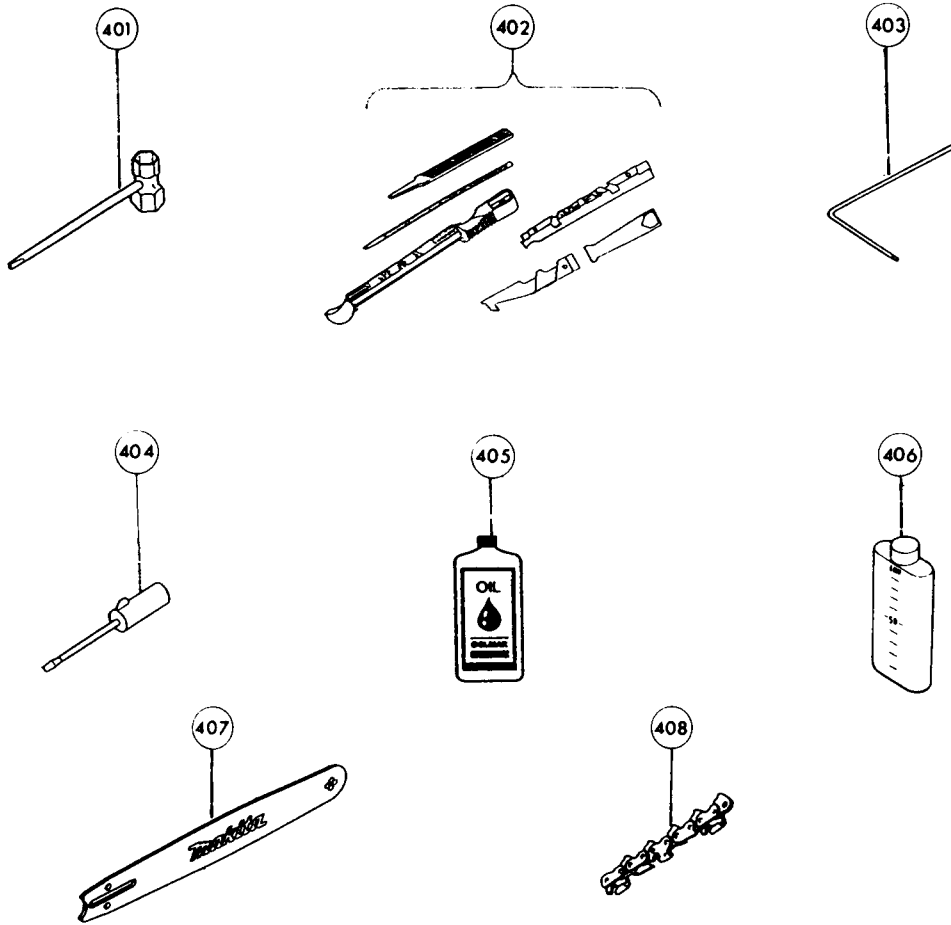


Fig.	Part No.	Qty. Used	Description	Fig.	Part No.	Qty. Used	Description
<b>ACCESSORIES</b>				407	713204-A	1	20" CHAIN BAR
401	941-719-171	1	UNIVERSAL WRENCH	407	713205-A	1	24" CHAIN BAR
402	744100-A	1	SHARPENING KIT 5/32"	407	713206-A	1	28" CHAIN BAR
402	744101-A	1	SHARPENING KIT 7/32"	407	713207-A	1	32" CHAIN BAR
403	940-827-000	1	TORX WRENCH	408	713104-A	1	20" CHAIN
404	944-340-001	1	CARBURETOR SCREWDRIVER	408	713105-A	1	24" CHAIN
405	181115-A	1	ENGINE OIL	408	713106-A	1	28" CHAIN
406	181116-A	1	CHAIN BAR OIL	408	713107-A	1	32" CHAIN

8 MODEL DCS9000FL  
8 MODEL DCS9000FW