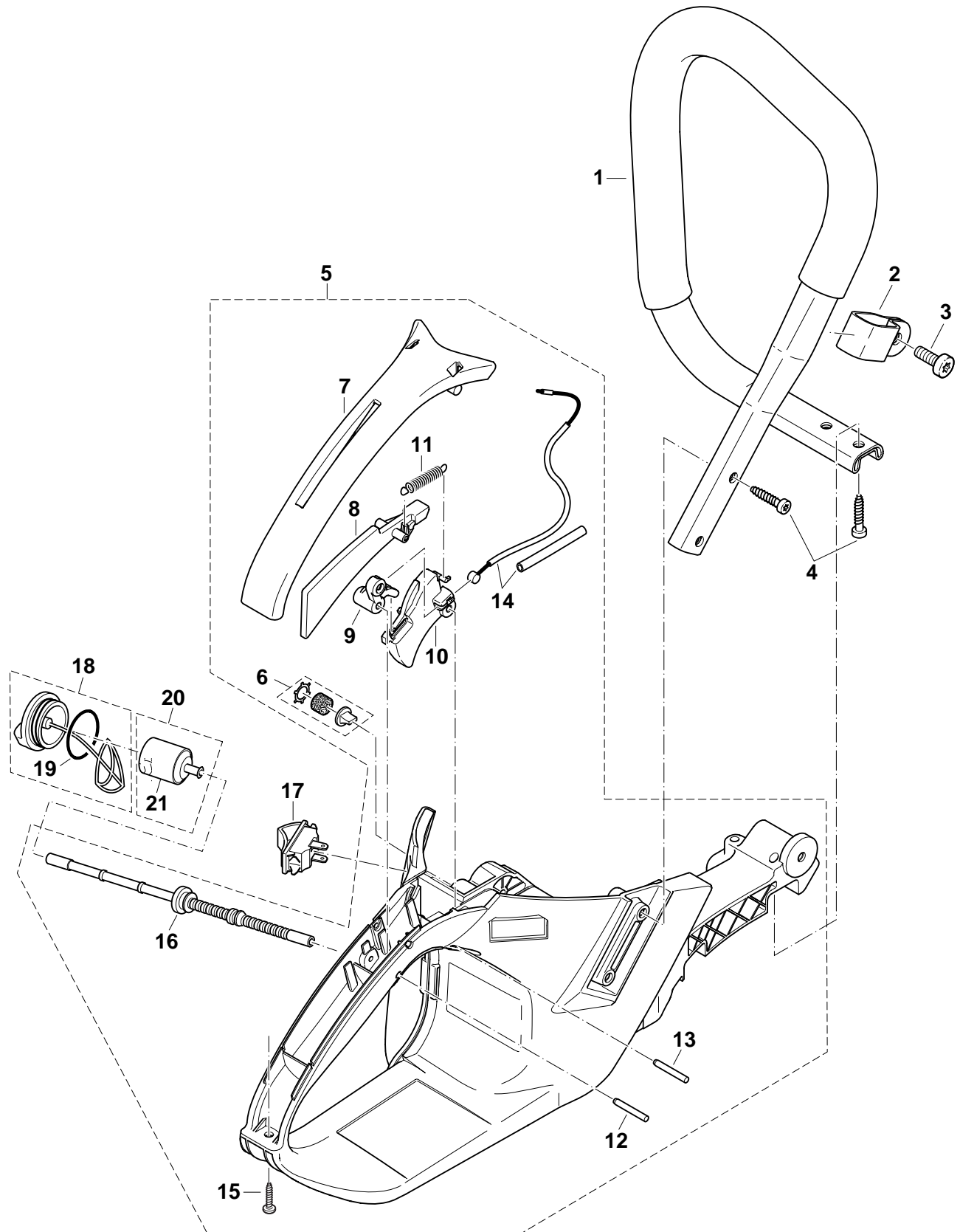


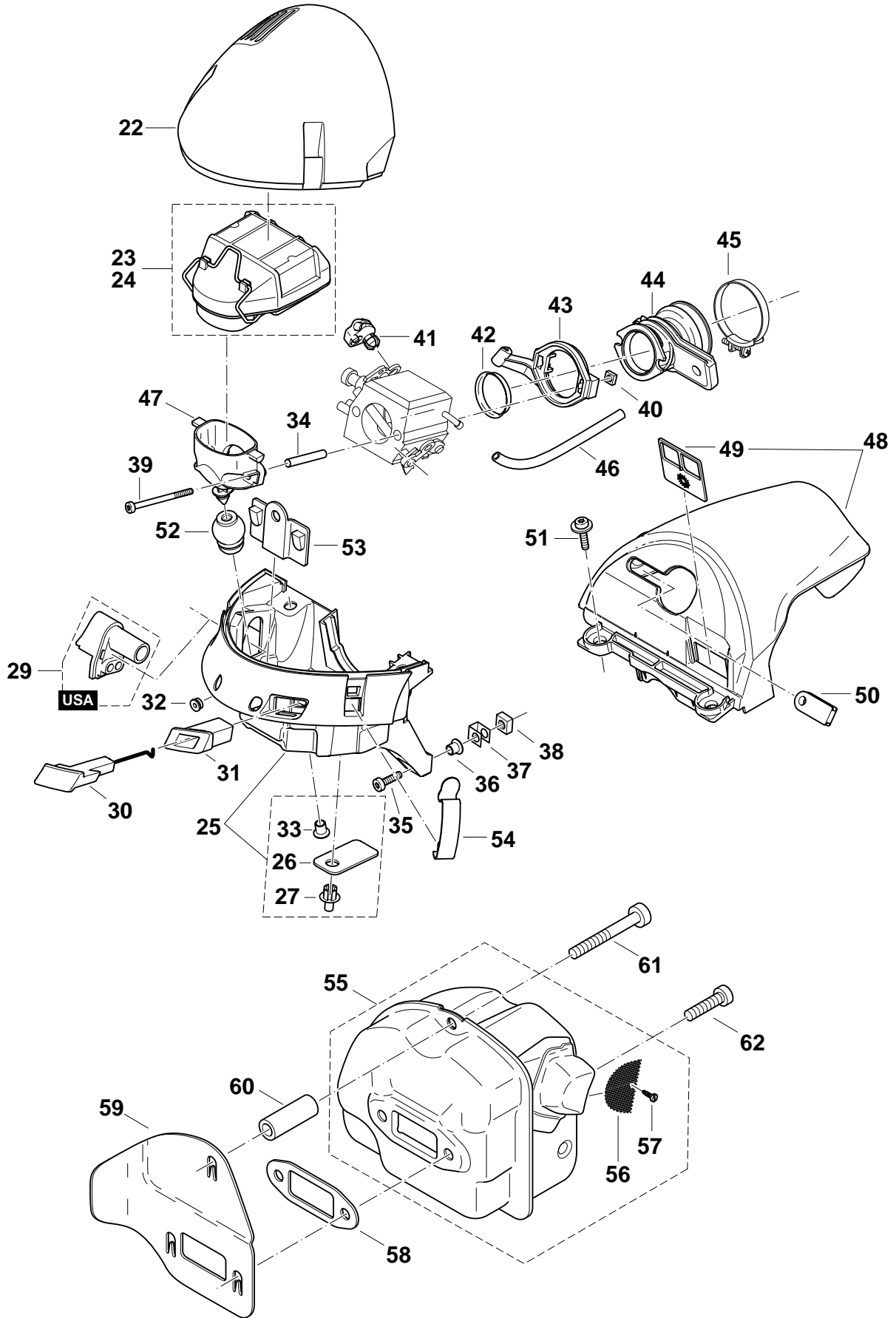
CONTENTS:

- 1) Fuel tank, Tubular grip
- 2) Hood, Air filter, Muffler
- 3) Cylinder, Crankcase
- 4) Ignition electronics, Starter
- 5) Oil pump, Clutch
- 6) Chain brake
- 7) Carburetor
- 8) Accessories

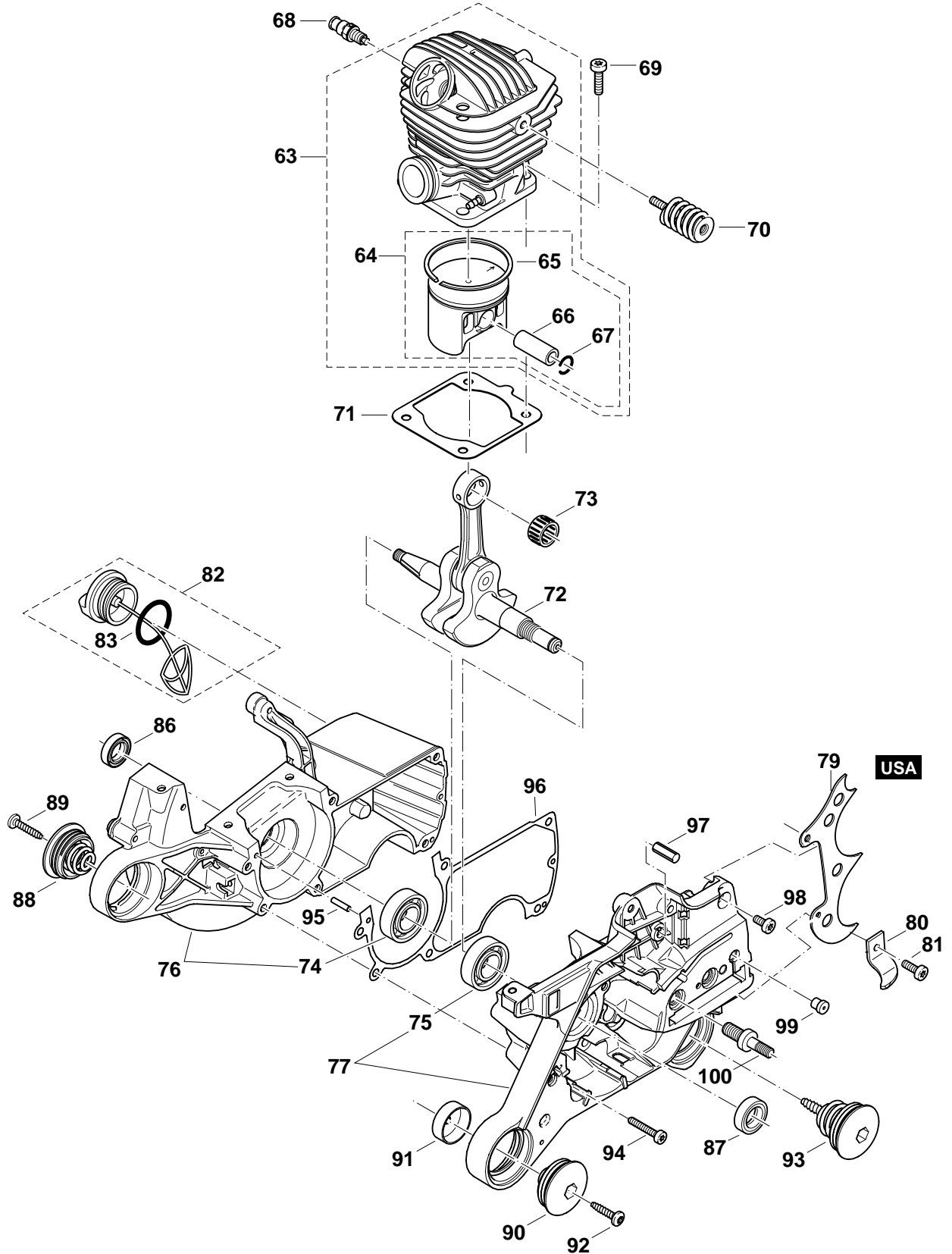
1) FUEL TANK, TUBULAR GRIP



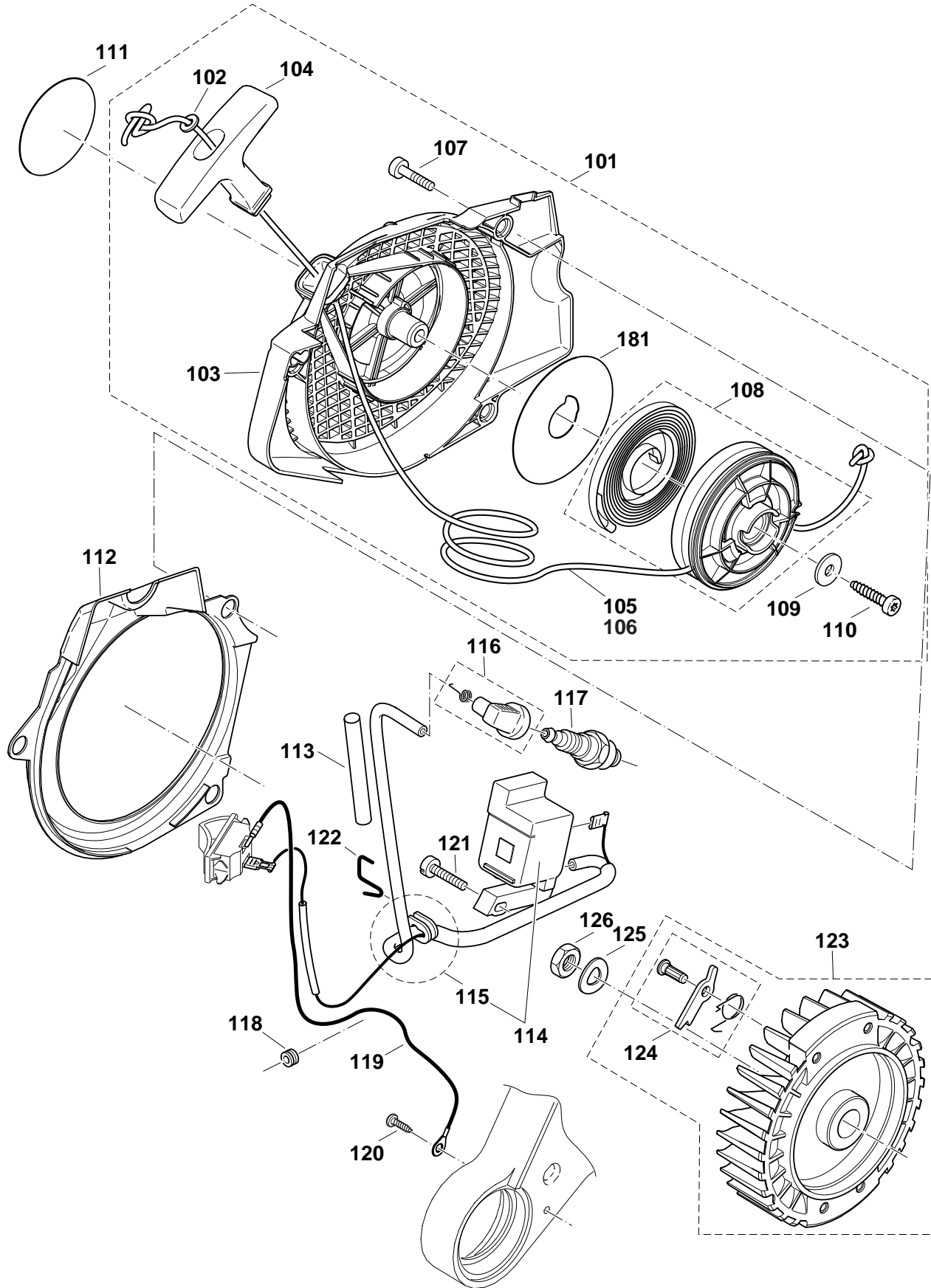
2) HOOD, AIR FILTER, MUFFLER



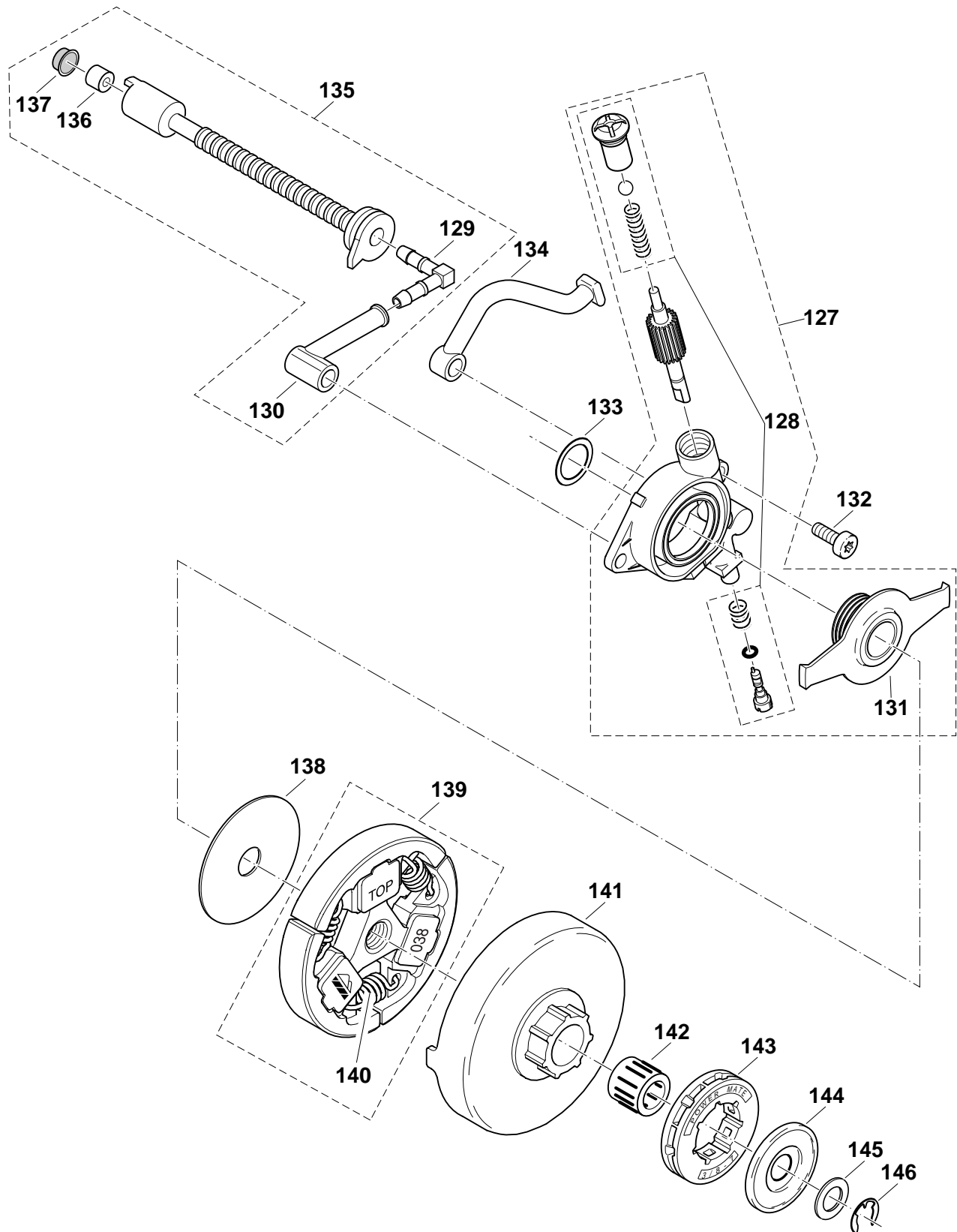
3) CYLINDER, CRANKCASE



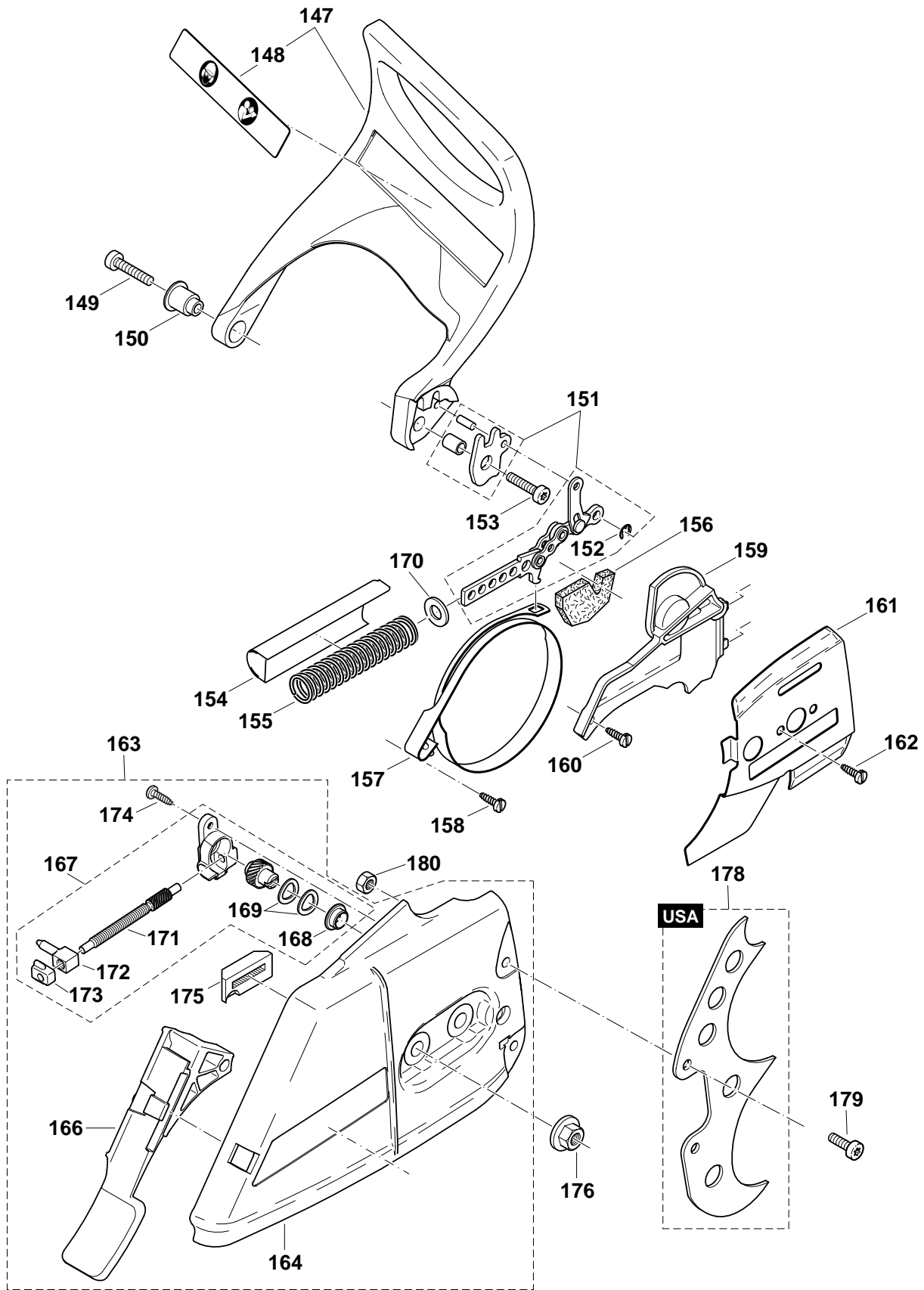
4) IGNITION ELECTRONICS, STARTER



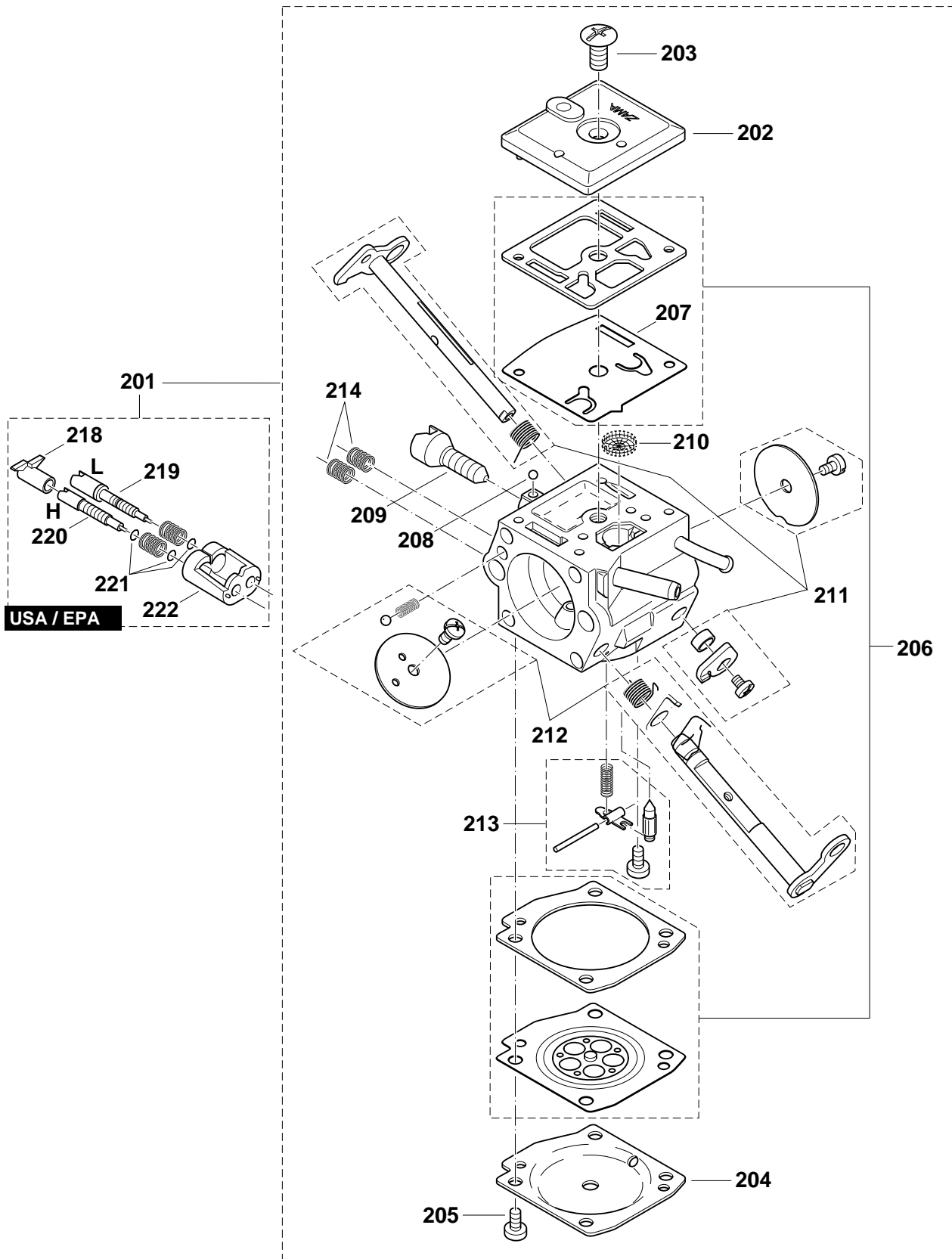
5) OIL PUMP, CLUTCH



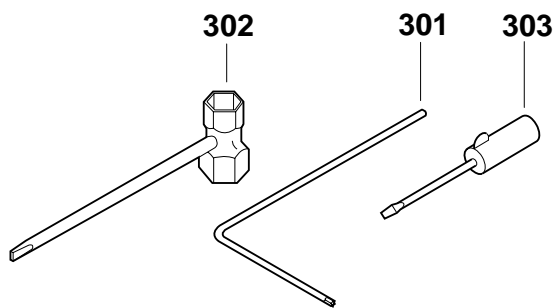
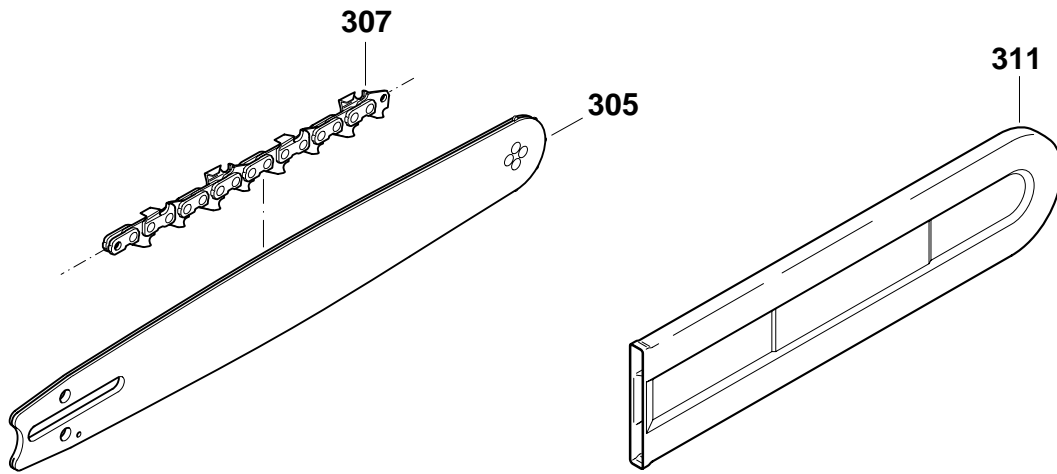
6) CHAIN BRAKE



7) CARBURETOR



8) ACCESSORIES



Item No.	Part No.	Qty. Used	Description	Item No.	Part No.	Qty. Used	Description
1	038-310-020	1	TUBULAR HANDLE ASSY	55	038-174-200	1	MUFFLER
2	038-310-060	1	CLAMP	56	038-174-040	1	SPARK ARRESTOR SCREEN
3	908-006-145	1	SCREW 6x14	57	915-035-100	1	SCREW 3.5x10
4	913-455-204	4	SCREW 5.5x20	58	965-531-130	1	GASKET
5	038-114-600	1	TANK CPL.,BLUE	59	038-174-020	1	COVER PLATE
6	957-114-060	1	AIR VALVE CPL.(fuel)	60	038-174-030	1	CONNECTING LINK
7	038-114-630	1	GRIP PLATE, blue	61	908-305-405	1	SCREW M5x40
8	038-117-020	1	CATCH LEVER	62	908-405-205	2	SCREW M5x20
9	038-117-030	1	ROCKER	63	040-130-030	1	CYLINDER/PISTON cpl.
10	038-117-010	1	THROTTLE LEVER	64	325-132-031	1	PISTON cpl.
11	038-117-050	1	SPRING	65	325-132-050	1	PISTON RING (D=47)
12	935-930-240	1	CYLINDRICAL PIN 3x24	66	119-132-030	1	PISTON PIN
13	935-930-280	1	CYLINDRICAL PIN 3x28	67	119-132-060	2	SPRING RING C12x1
14	010-117-040	1	BOWDEN CABLE	68	001-131-150	1	DECOMPRESSION VALVE
15	913-340-204	1	SCREW 4x20 S27	69	908-005-205	4	SCREW 5x20
16	038-114-050	1	FUEL LINE	70	038-114-150	1	SPRING w/threaded insert
17	975-001-210	1	SHORT-CIRCUIT SWITCH	71	965-531-121	1	GASKET
18	010-114-050	1	TANK CAP cpl.	72	038-120-020	1	CRANKSHAFT cpl.
19	963-228-030	1	PACKING RING 28x3	73	962-210-019	1	NEEDLE CAGE
20	963-601-130	1	SUCTION HEAD	74	960-102-159	1	BALL BEARING 6202
21	963-601-240	1	FELT for SUCTION HEAD	75	960-102-179	1	BALL BEARING 6203 C4
22	038-118-620	1	COVER GREY	76	038-111-630	1	CRANCASE MAG.SIDE,blue
23	038-173-100	1	AIR FILTER cpl.	77	038-111-640	1	CRANKCASE CLUTCH SIDE, blue
24	038-173-010	1	AIR FILTER cpl. nylon	79	038-250-200	1	SPIKE BAR
25	038-118-630	1	BOTTOM, blue	80	038-111-080	1	CHAIN CATCH
26	038-118-110	2	RUBBER FLAP	81	908-005-165	1	SCREW 5x16
27	938-650-062	2	RIVET	82	010-114-050	1	TANK CAP cpl.
29	038-118-120	1	ADJUSTING GUIDE	83	963-228-030	1	PACKING RING 28x3
30	038-155-050	1	CHOKE SHAFT	86	962-900-052	1	RADIAL RING
31	038-155-020	1	CHOKE GUIDE	87	962-900-061	1	RADIAL RING 17x28x5/4
32	965-401-020	1	RUBBER BUSH	88	038-114-130	1	SPRING cpl.,w/cap
33	001-118-100	2	BUSHING	89	913-455-204	1	SCREW 5.5x20
34	038-155-060	2	SPACER L=30MM	90	038-114-130	1	SPRING cpl.,w/cap
35	908-005-205	2	SCREW 5x20	91	038-114-190	1	POT
36	001-118-100	2	BUSHING	92	913-455-204	1	SCREW
37	038-111-050	2	CLIP	93	038-114-140	1	SPRING cpl., w/cap
38	038-111-060	2	SQUARE NUT M5	94	908-005-305	6	SCREW 5x30
39	908-204-555	2	SCREW 4x55	95	936-430-160	2	SPIRAL CLAMPING PIN 3x16
40	921-804-004	2	SQUARE NUT M4	96	038-111-042	1	GASKET
41	038-155-010	1	RETAINING CLIP	97	934-660-250	1	SLOTTED PIN 6x24
42	038-131-030	1	INSERT for SUCTION HOSE	98	908-005-125	1	SCREW 5X12
43	038-171-041	1	FLANGE	99	010-245-030	1	VENT VALVE
44	038-131-010	1	SUCTION HOSE	100	038-232-010	2	BOLT
45	965-603-050	1	HOSE CLAMP	101	038-160-600	1	STARTER ASSY.,blue
46	965-452-380	1	TUBE,L=65	102	928-405-000	1	SPRING WASHER
47	038-171-010	1	CONNECTING MUFF	103	038-112-630	1	FAN HOUSING, blue
48	038-118-690	1	HOOD cpl., grey	104	001-161-010	1	STARTER GRIP
49	038-118-140	1	INSERT	105	108-164-020	1	STARTER ROPE,(L=980MM)
50	038-118-130	1	CABLE GUIDE	106	985-000-155	1	STARTER ROPE, (L=100M)
51	917-105-205	2	SCREW M5x20	107	908-605-205	3	SCREW M5x20
52	038-171-030	1	HOLDER	108	038-162-021	1	CABLE DRUM cpl.
53	038-118-100	1	PLUG	109	924-605-510	1	WASHER 5.5x18x1.6
54	038-118-071	2	STEEL CLIP	110	913-455-204	1	SCREW 5.5x20

