

CS 2186, CS 2186 EPA

Spare parts

Ersatzteile

Pièces détachées

Reserve onderdelen

Repuestos

Reservdelar

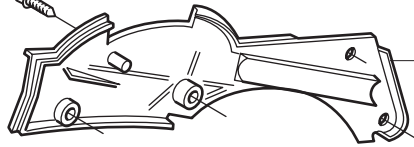
A

*compl 537 19 57-01

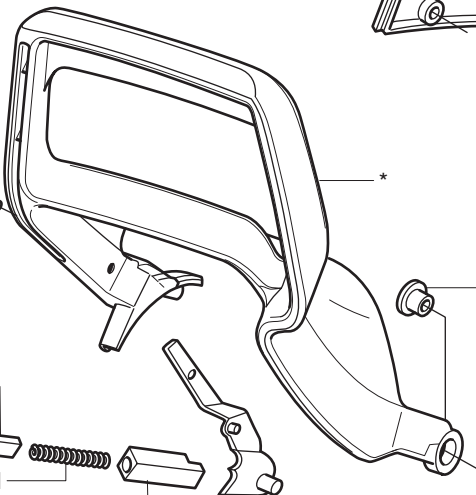
503 20 07-12 (x4)



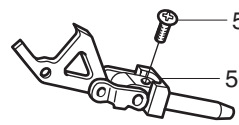
503 98 74-01*



503 75 11-03



503 20 25-12

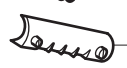


503 21 28-10

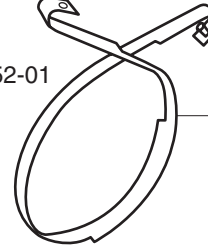
501 87 53-03



503 70 99-01



503 79 27-01



503 75 22-01

537 01 67-01

503 43 65-01

503 83 81-02

537 00 87-02

**537 07 20-71

537 24 43-01

503 21 28-10

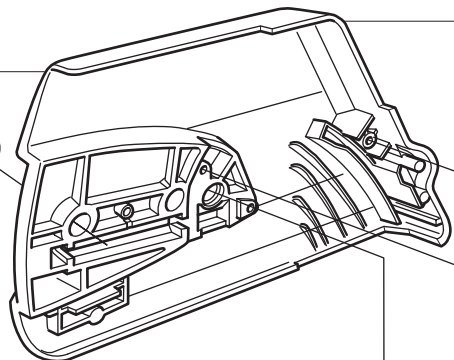
503 89 70-01

503 76 29-02



**compl 537 07 20-02

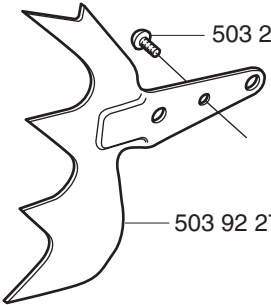
**



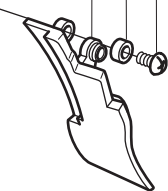
503 22 00-01 (x2)



503 21 28-10



503 92 27-01



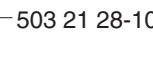
537 19 06-01**

503 21 28-10**

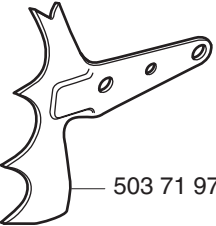
740 48 07-02

503 23 00-63

537 07 94-01



503 21 28-10** (x2)



**537 04 41-02

537 01 74-01

503 99 83-01

537 07 95-01

503 23 00-66

537 01 68-01

503 71 97-01

B

**compl 537 13 79-71 (3/8"x7T)

**compl 537 13 79-72 (3/8"x8T)

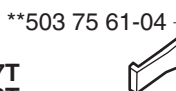
*compl 503 52 13-02

503 27 21-01

503 75 24-01

501 59 80-02** 3/8"x7T

505 30 36-61** 3/8"x8T

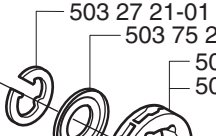


**503 75 61-04

*503 62 49-01

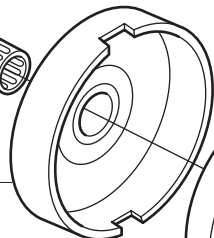
725 53 29-56 (x2)

*537 10 64-01



**503 43 20-01

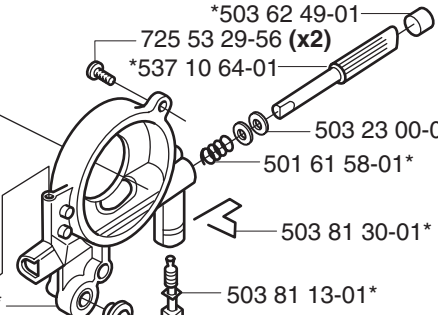
**



503 77 43-01

503 64 47-01

504 30 00-26



503 23 00-04* (x2)

501 61 58-01*

503 81 30-01*

503 81 13-01*

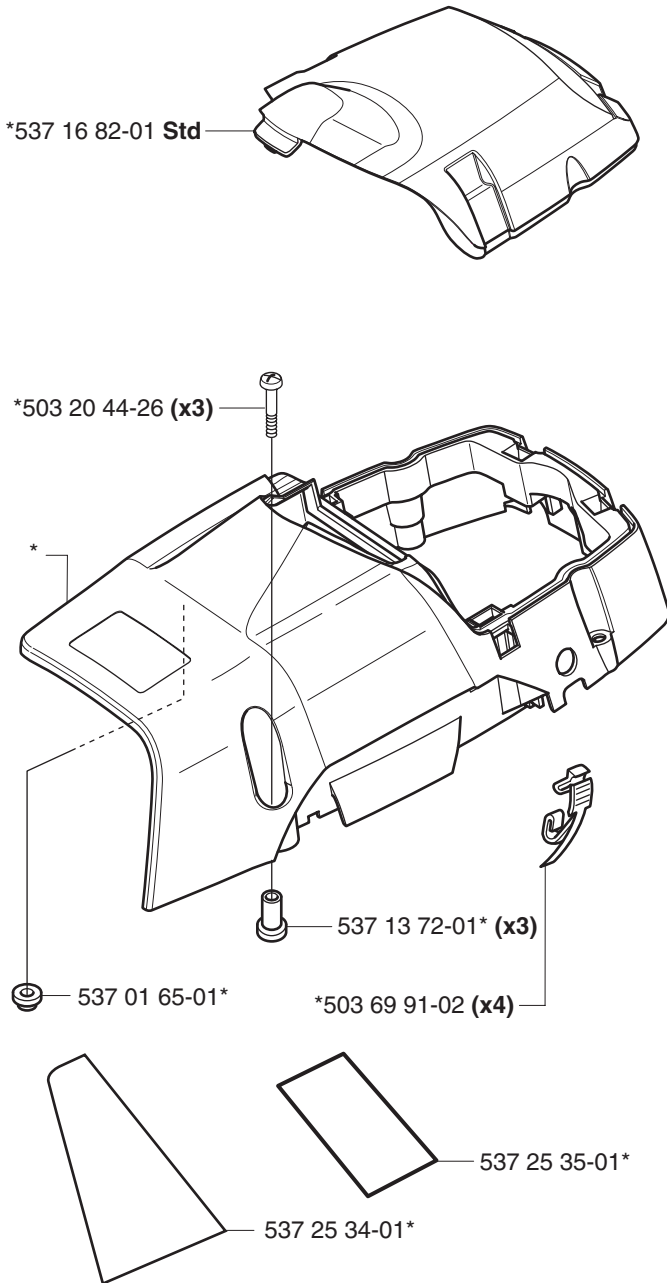
503 42 67-01

503 97 51-01

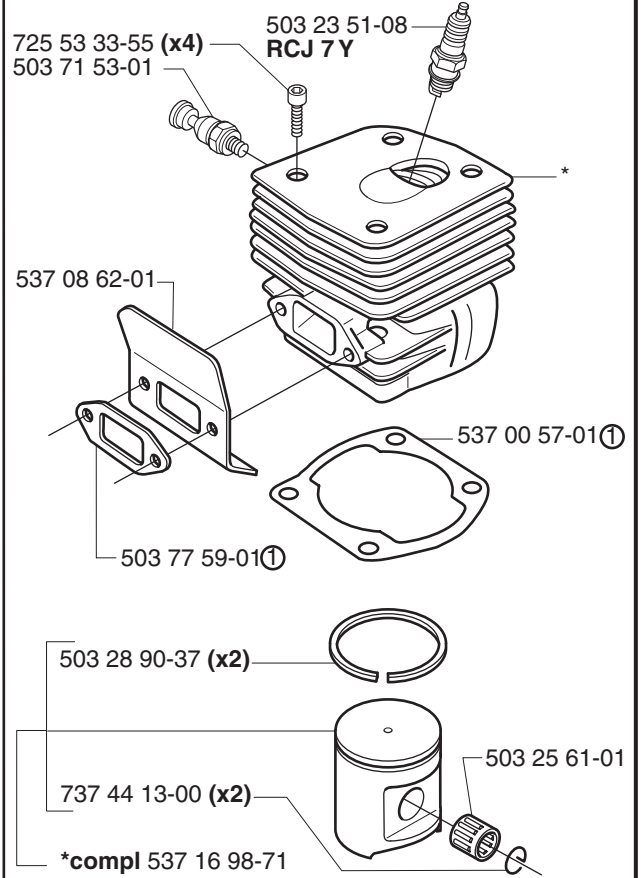
503 97 50-01

501 54 41-02

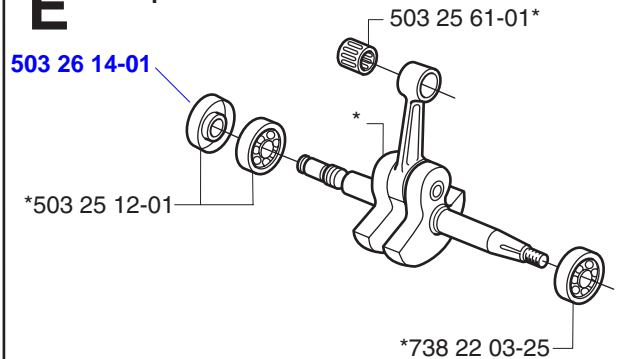
C *compl 537 16 80-01 Std



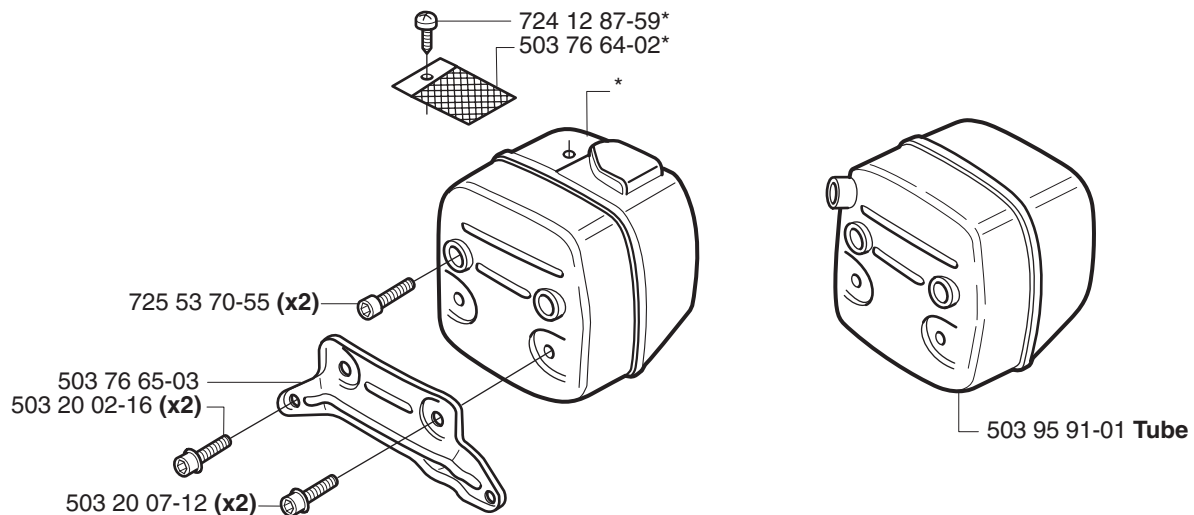
D *compl 537 16 97-71



E *compl 503 99 34-73

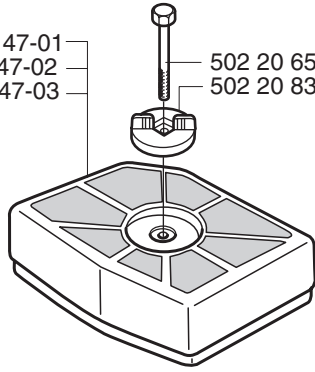


F compl 503 95 90-01 FG
 compl 503 95 90-03 Jungle
 *compl 503 95 90-04 DF



G

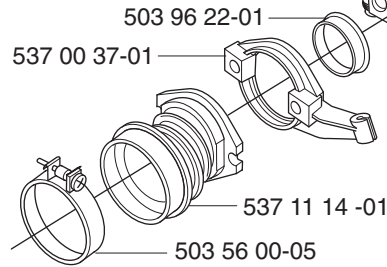
80µ 537 01 47-01
 44µ 537 01 47-02
 Felt 537 01 47-03



502 20 65-01
 502 20 83-02

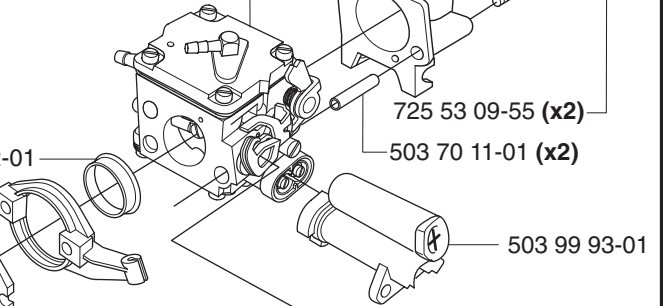
503 28 04-13
 503 28 04-11 (EPA)
 503 40 06-04

537 00 91-01
 731 23 14-01



503 96 22-01

537 00 37-01



725 53 09-55 (x2)

503 70 11-01 (x2)

503 99 93-01

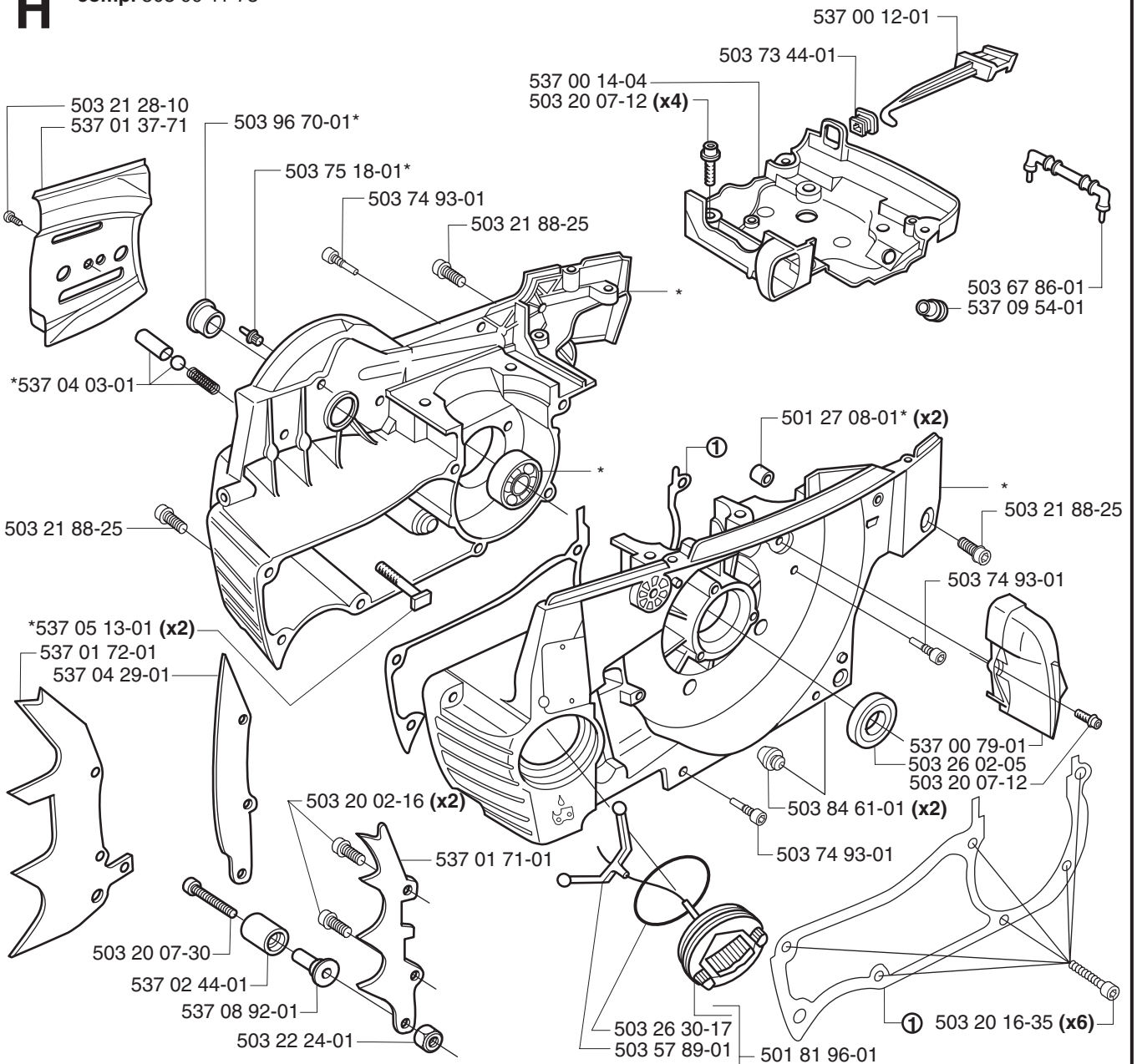
537 11 14 -01

503 56 00-05

503 68 41-01

H

*compl 503 99 11-73



503 21 28-10
 537 01 37-71

503 96 70-01*

503 75 18-01*

503 74 93-01

503 21 88-25

537 00 14-04
 503 20 07-12 (x4)

503 73 44-01

537 00 12-01



503 67 86-01
 537 09 54-01

*537 04 03-01

503 21 88-25

*537 05 13-01 (x2)

537 01 72-01

537 04 29-01

503 20 02-16 (x2)

537 01 71-01

503 20 07-30

537 02 44-01

537 08 92-01

503 22 24-01

501 27 08-01* (x2)

503 21 88-25

503 74 93-01

537 00 79-01

503 26 02-05

503 20 07-12

503 84 61-01 (x2)

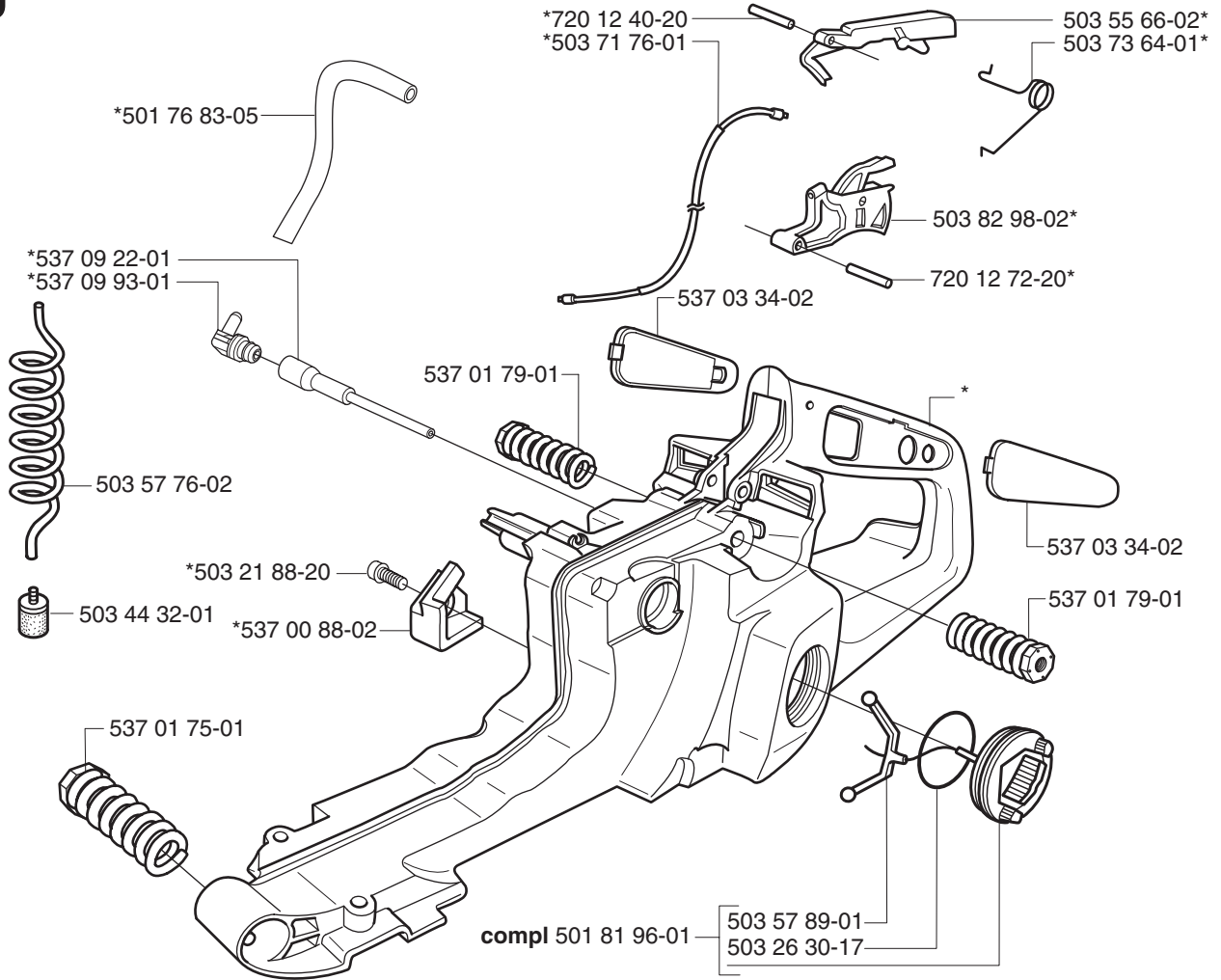
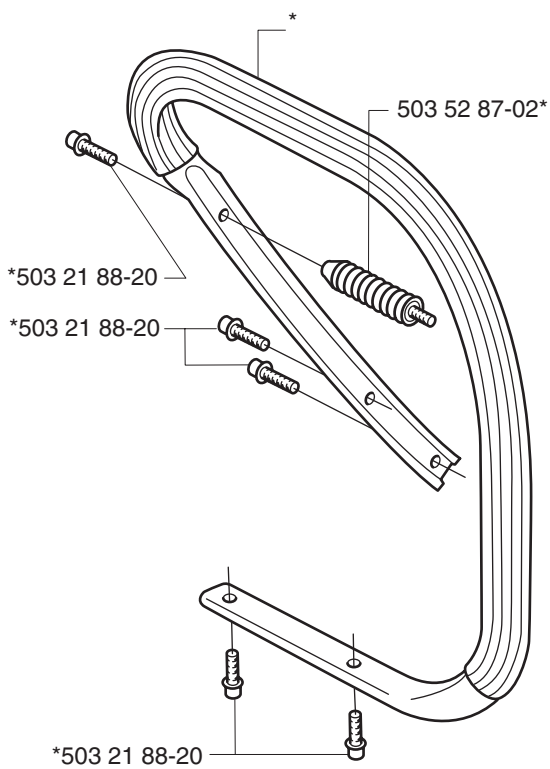
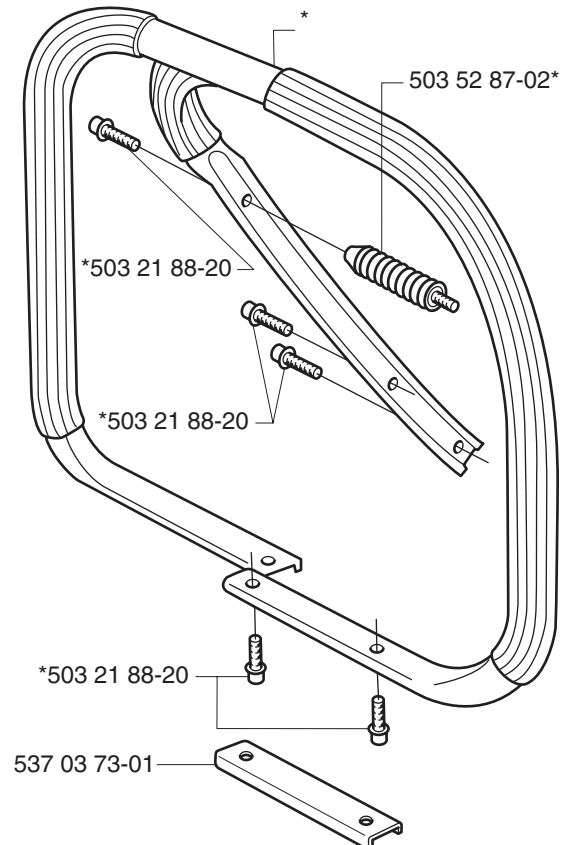
503 74 93-01

503 26 30-17

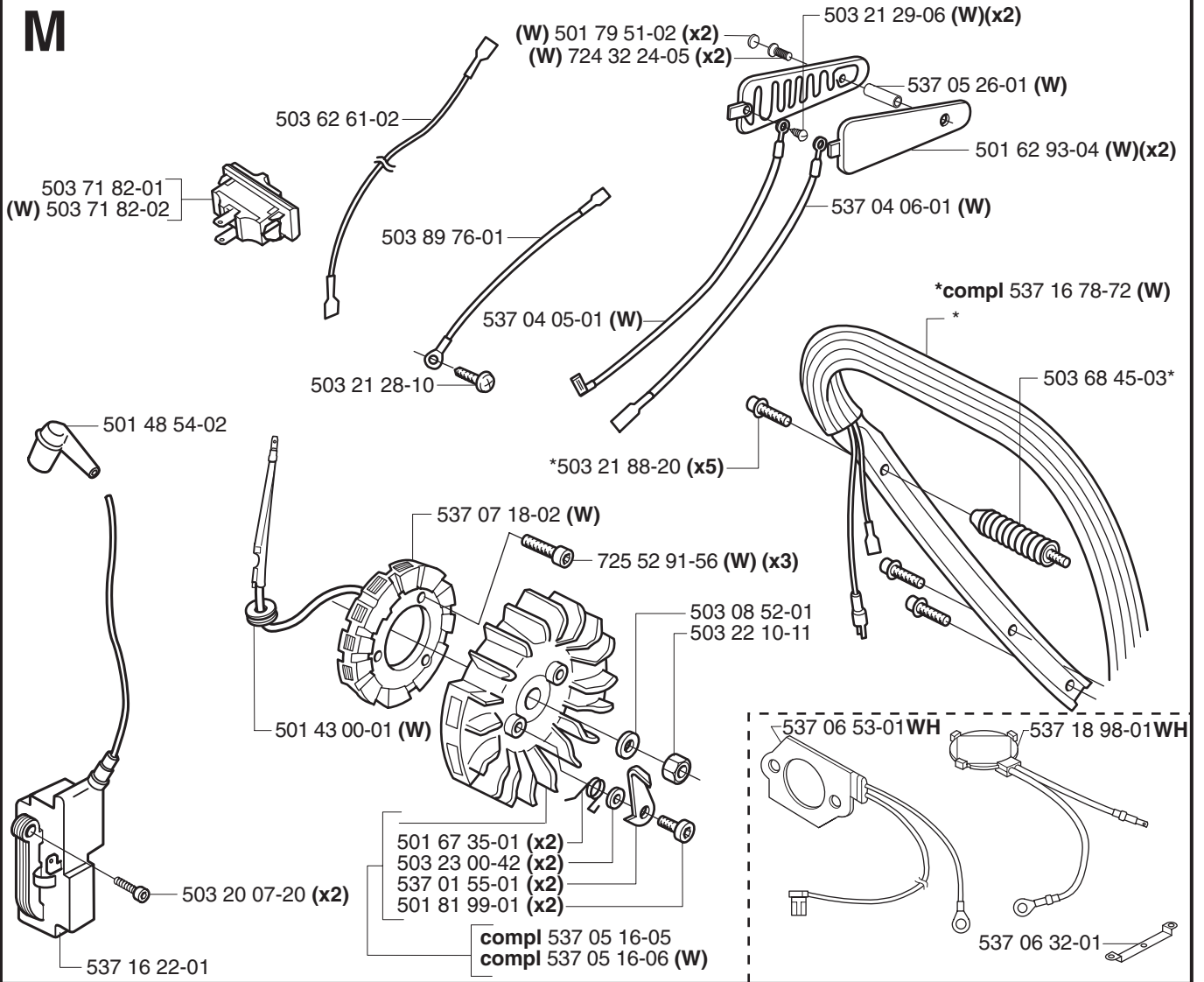
503 57 89-01

501 81 96-01

① 503 20 16-35 (x6)

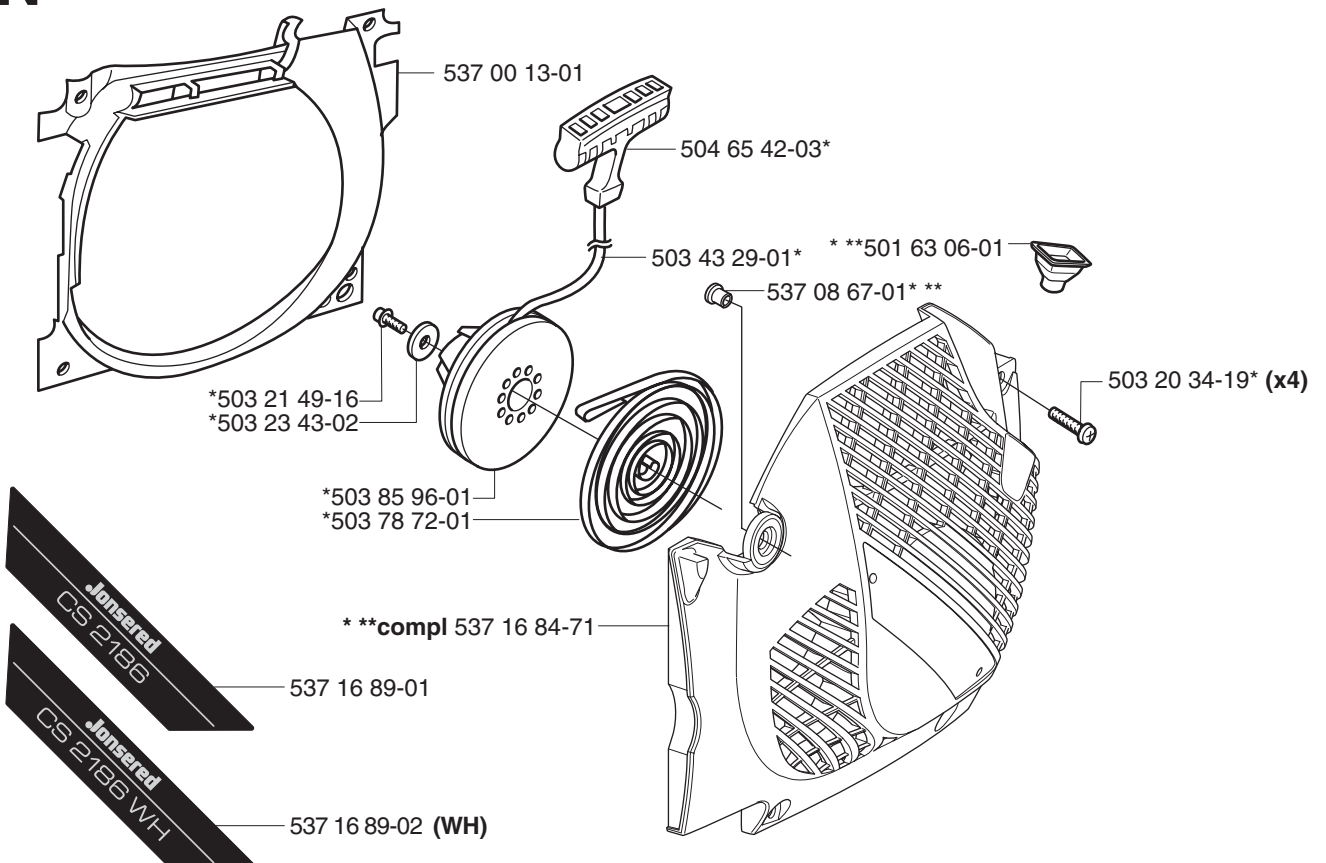
J***compl 537 00 03-72****K****compl 537 16 78-71****L*****compl 537 16 79-01**

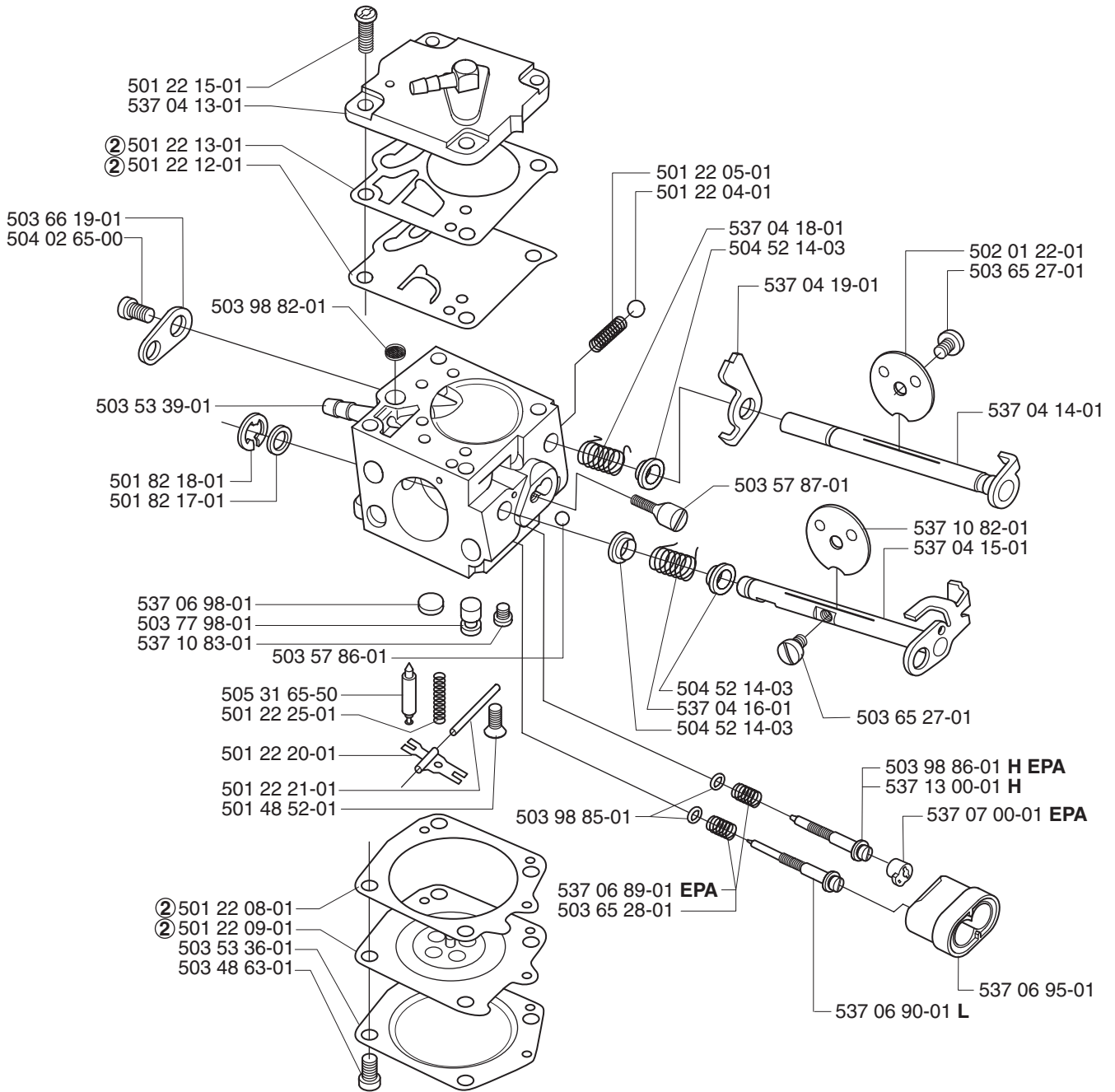
M



N

*compl 537 16 83-71

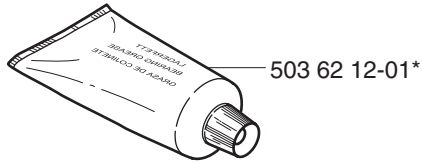




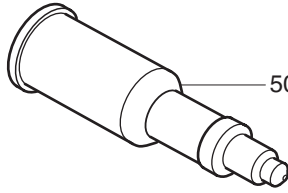
② 501 49 48-02
Packningssats
Set of gaskets
Dichtungssatz
Jeu de joints
Juego de juntas

Q Accessories
 Zubehöre
 Accessories
 Accesorios
 Tillbehör

*compl 503 55 85-01

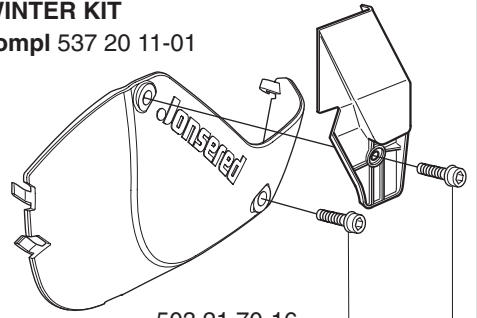


503 62 12-01*



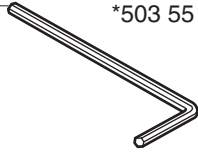
501 91 14-01*

WINTER KIT
 compl 537 20 11-01

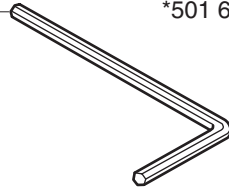


503 21 70-16

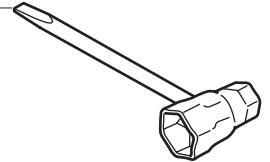
*503 55 86-01 NV4



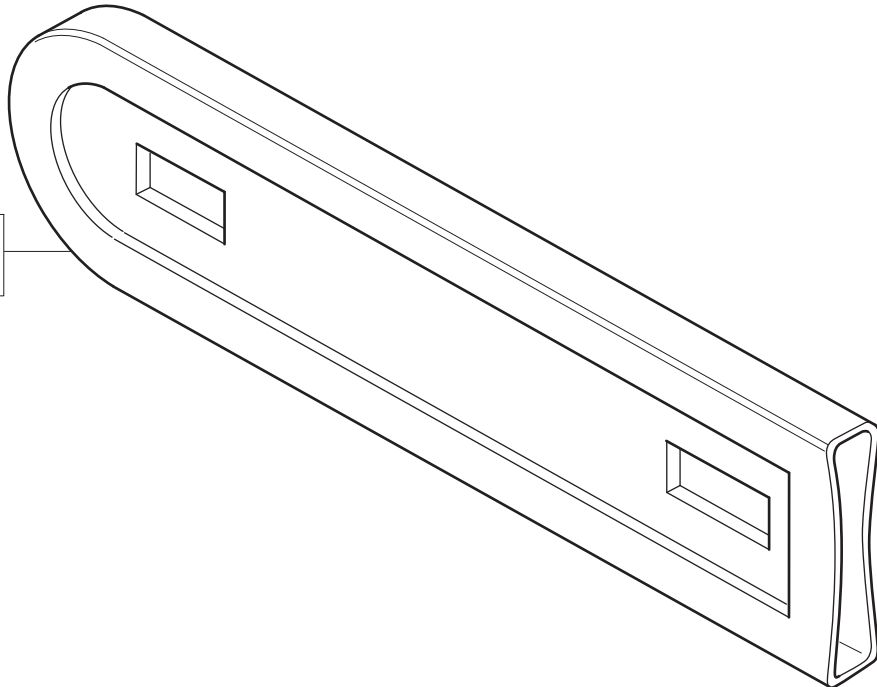
*503 55 86-02 NV5



*501 69 17-02



501 83 44-02 13"-16"
 501 83 44-05 18"-22"
 501 83 45-02 24"-28"



537 24 43-01



537 16 89-01



537 16 89-02 (W)

CS 2186, CS 2186 EPA

PART NUMBER	SQUARE	NOTE	PART NUMBER	SQUARE	NOTE	PART NUMBER	SQUARE	NOTE	PART NUMBER	SQUARE	NOTE
501 22 04-01	P		503 43 20-01	B		503 97 50-01	B		537 07 95-01	A	
501 22 05-01	P		503 43 29-01	N		503 97 51-01	B		537 08 62-01	D	
501 22 08-01	P	2	503 43 65-01	A		503 98 74-01	A		537 08 67-01	N	
501 22 09-01	P	2	503 44 32-01	J		503 98 82-01	P		537 08 92-01	H	
501 22 12-01	P	2	503 48 63-01	P		503 98 85-01	P		537 09 22-01	J	
501 22 13-01	P	2	503 52 13-02	B		503 98 86-01	P		537 09 54-01	H	
501 22 15-01	P		503 52 87-02	K		503 99 11-73	H		537 09 93-01	J	
501 22 20-01	P		503 52 87-02	L		503 99 34-73	E		537 10 64-01	B	
501 22 21-01	P		503 53 36-01	P		503 99 83-01	A		537 10 82-01	P	
501 22 25-01	P		503 53 39-01	P		503 99 93-01	G		537 10 83-01	P	
501 27 08-01	H		503 55 66-02	J		504 02 65-00	P		537 11 14-01	G	
501 43 00-01	M		503 55 85-01	Q		504 30 00-26	B		537 13 00-01	P	
501 48 52-01	P		503 55 86-01	Q		504 52 14-03	P		537 13 72-01	C	
501 48 54-02	M		503 55 86-02	Q		504 52 14-03	P		537 13 79-71	B	
501 49 48-02	P	compl 2	503 56 00-05	G		504 65 42-03	N		537 13 79-72	B	
501 54 41-02	B		503 57 76-02	J		505 30 36-61	B		537 16 22-01	M	
501 59 80-02	B		503 57 86-01	P		505 31 65-50	P		537 16 78-71	K	
501 61 58-01	B		503 57 87-01	P		537 00 03-72	J		537 16 78-72	M	
501 62 93-04	M		503 57 89-01	H,J		537 00 12-01	H		537 16 79-01	L	
501 63 06-01	N		503 62 12-01	Q		537 00 13-01	N		537 16 80-01	C	
501 67 35-01	M		503 62 49-01	B		537 00 14-04	H		537 16 82-01	C	
501 69 17-02	Q		503 62 61-02	M		537 00 37-01	G		537 16 83-71	N	
501 76 83-05	J		503 64 47-01	B		537 00 57-01	D	1	537 16 84-71	N	
501 79 51-02	M		503 65 27-01	P		537 00 79-01	H		537 16 89-01	N,Q	
501 81 96-01	H,J		503 65 27-01	P		537 00 87-02	A		537 16 89-02	N,Q	
501 81 99-01	M		503 65 28-01	P		537 00 88-02	J		537 16 97-71	D	
501 82 17-01	P		503 66 19-01	P		537 00 91-01	G		537 18 98-01	M	
501 82 18-01	P		503 67 86-01	H		537 01 37-71	H		537 19 06-01	A	
501 83 44-02	Q		503 68 41-01	G		537 01 47-01	G		537 19 57-01	A	
501 83 44-05	Q		503 68 45-03	M		537 01 47-02	G		537 20 11-01	Q	
501 83 45-02	Q		503 69 91-02	C		537 01 47-03	G		537 24 43-01	A	
501 87 53-03	A		503 70 11-01	G		537 01 55-01	M		537 24 43-01	Q	
501 91 14-01	Q		503 70 99-01	A		537 01 65-01	C		537 25 34-01	C	
502 01 22-01	P		503 71 53-01	D		537 01 67-01	A		537 25 35-01	C	
502 20 65-01	G		503 71 76-01	J		537 01 68-01	A		720 12 40-20	J	
502 20 83-02	G		503 71 82-01	M		537 01 71-01	H		720 12 72-20	J	
503 08 52-01	M		503 71 97-01	A		537 01 72-01	H		724 12 87-59	F	
503 20 07-12	A,F,H		503 73 44-01	H		537 01 74-01	A		724 32 24-05	M	
503 20 02-16	F,H		503 73 64-01	J		537 01 75-01	J		725 52 91-56	M	
503 20 07-20	M		503 74 93-01	H		537 01 79-01	J		725 53 09-55	G	
503 20 07-30	H		503 74 93-01	H		537 02 44-01	H		725 53 29-56	B	
503 20 16-35	H		503 75 11-03	A		537 03 34-02	J		725 53 33-55	D	
503 20 25-12	A		503 75 18-01	H		537 03 39-01		compl 1	725 53 70-55	F	
503 20 34-19	N		503 75 22-01	A		537 03 73-01	L		731 23 14-01	G	
503 20 44-26	C		503 75 24-01	B		537 04 03-01	H		737 44 13-00	D	
503 21 49-16	N		503 75 61-04	B		537 04 05-01	M		738 22 03-25	E	
503 21 28-10	A,H,M		503 76 29-02	A		537 04 06-01	M		740 48 07-02	A	
503 21 29-06	M		503 76 64-02	F		537 04 13-01	P				
503 21 70-16	Q		503 76 65-03	F		537 04 14-01	P				
503 21 88-20	J,K,L,M		503 77 43-01	B		537 04 15-01	P				
503 21 88-25	H		503 77 52-01	A		537 04 16-01	P				
503 22 00-01	A		503 77 59-01	D	1	537 04 18-01	P				
503 22 10-11	M		503 77 98-01	P		537 04 19-01	P				
503 22 24-01	H		503 78 72-01	N		537 04 29-01	H				
503 23 00-04	B		503 79 27-01	A		537 04 41-02	A				
503 23 00-42	M		503 81 13-01	B		537 05 13-01	H				
503 23 00-63	A		503 81 30-01	B		537 05 16-05	M				
503 23 00-66	A		503 82 98-02	J		537 05 16-06	M				
503 23 43-02	N		503 83 81-02	A		537 05 26-01	M				
503 23 51-08	D		503 84 61-01	H		537 06 32-01	M				
503 25 12-01	E		503 85 96-01	N		537 06 53-01	M				
503 25 61-01	D,E		503 89 70-01	A		537 06 89-01	P				
503 26 02-05	H		503 89 76-01	M		537 06 90-01	P				
503 26 30-17	H,J		503 92 27-01	A		537 06 95-01	P				
503 27 21-01	B		503 95 90-01	F		537 06 98-01	P				
503 28 04-11	G,P		503 95 90-03	F		537 07 00-01	P				
503 28 04-13	G,P		503 95 90-04	F		537 07 18-02	M				
503 28 90-37	D		503 95 91-01	F		537 07 20-02	A				
503 40 06-04	G		503 96 22-01	G		537 07 20-71	A				
503 42 67-01	B		503 96 70-01	H		537 07 94-01	A				

1 = 537 03 39-01
2 = 501 49 48-02

N = New part
Neues teil
Nouvelle piece
Nueva pieza
Ny detalj

EPA = Environmental Protection Agency
(for USA only)