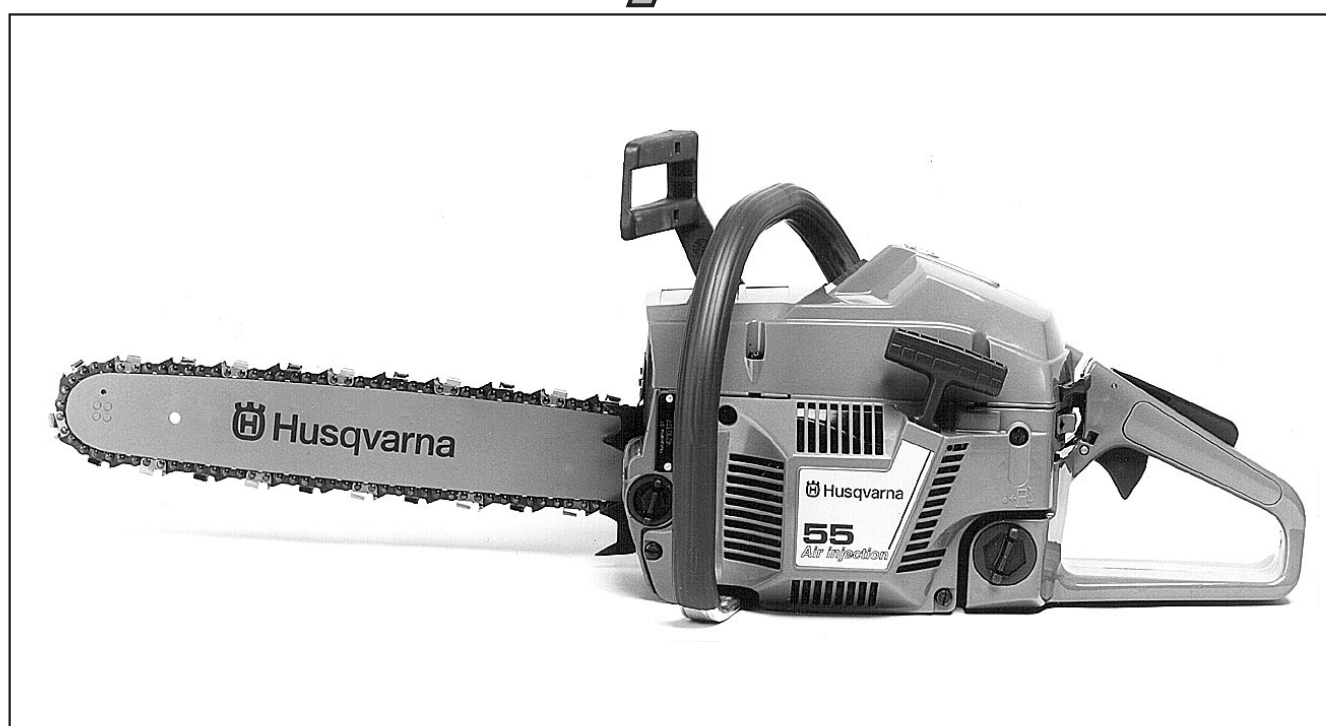


51/55

51 EPA/55 EPA



1.1998

Spare parts

Ersatzteile

Pièces détachées

Reserve onderdelen

Repuestos

Reservdelar

Replaces

Ersetzt

Remplace

Vervangt

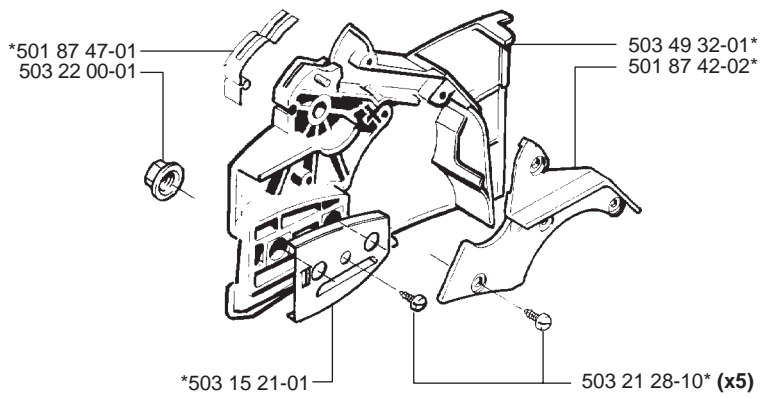
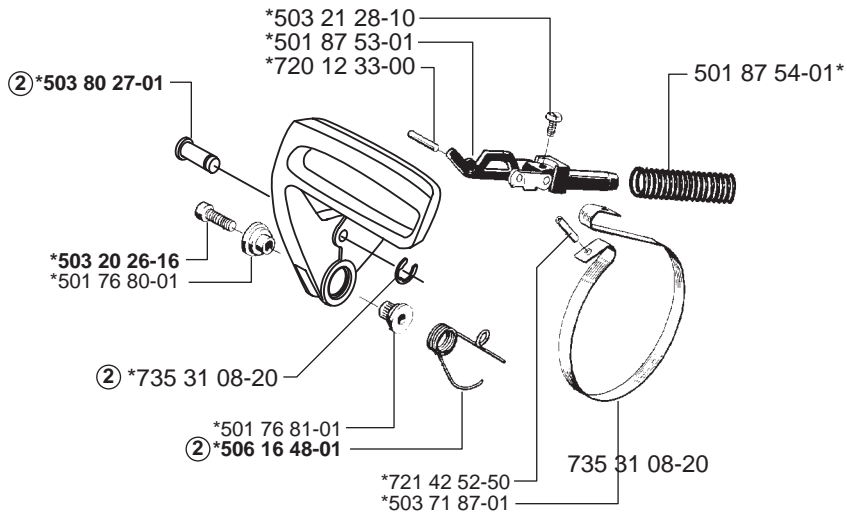
Reemplaza

Ersätter

106 22 83-63

A

*compl 503 49 81-03
② compl 503 89 27-01

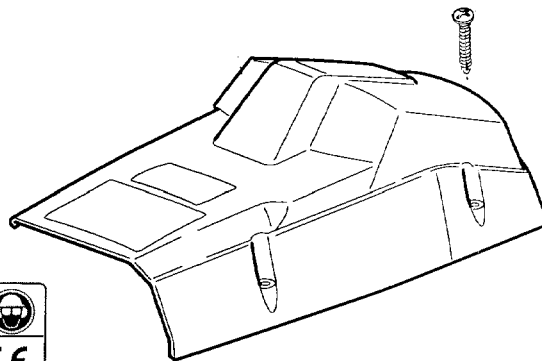
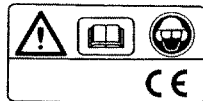


B

*compl 503 60 90-05
*compl 503 60 90-06 (USA)

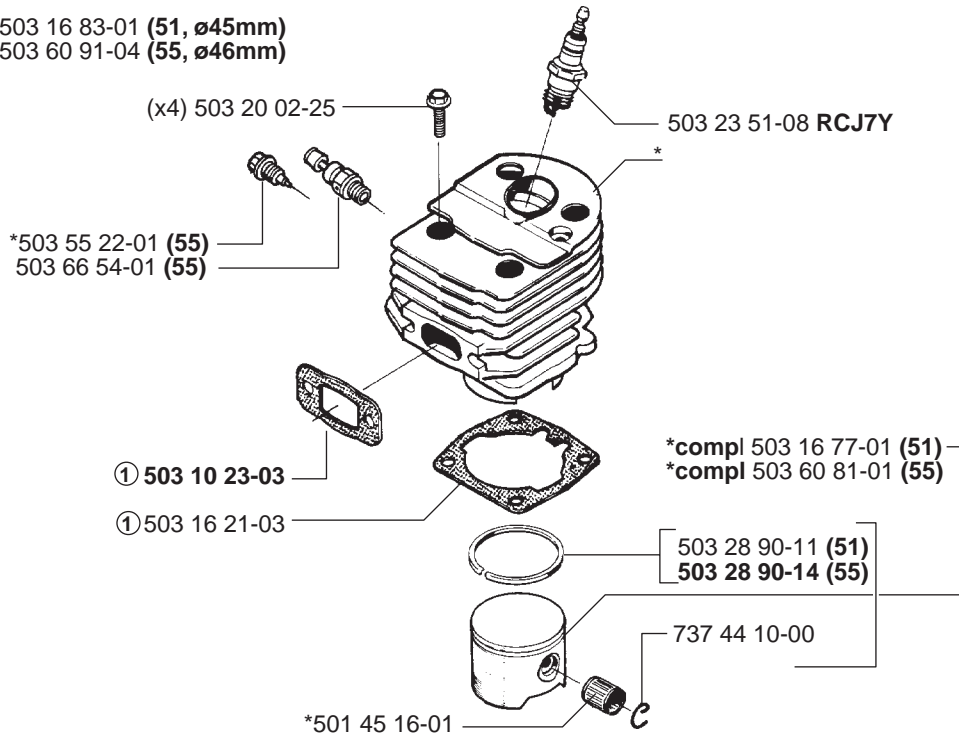
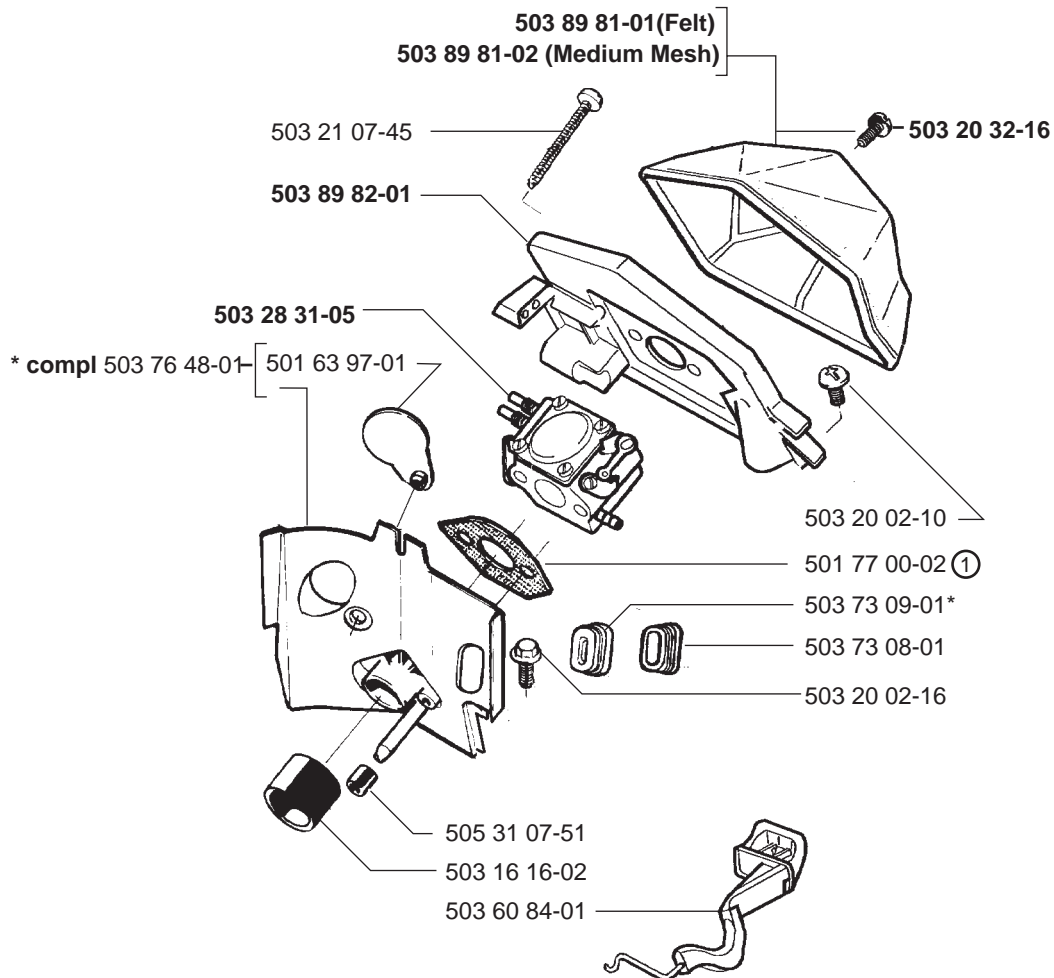
(x3) *503 21 43-38

503 78 22-04



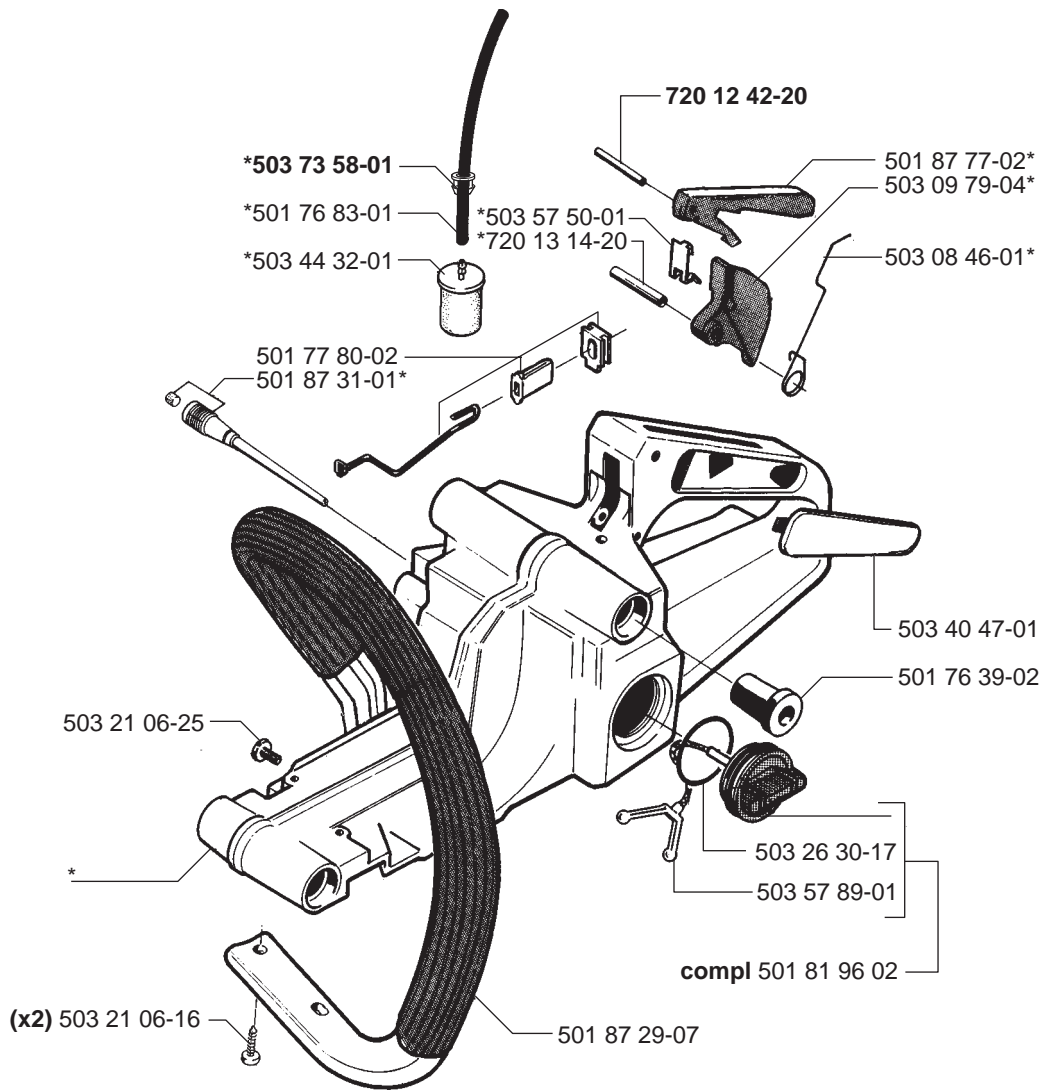
C

*compl 503 16 83-01 (51, \varnothing 45mm)
 *compl 503 60 91-04 (55, \varnothing 46mm)

**D**

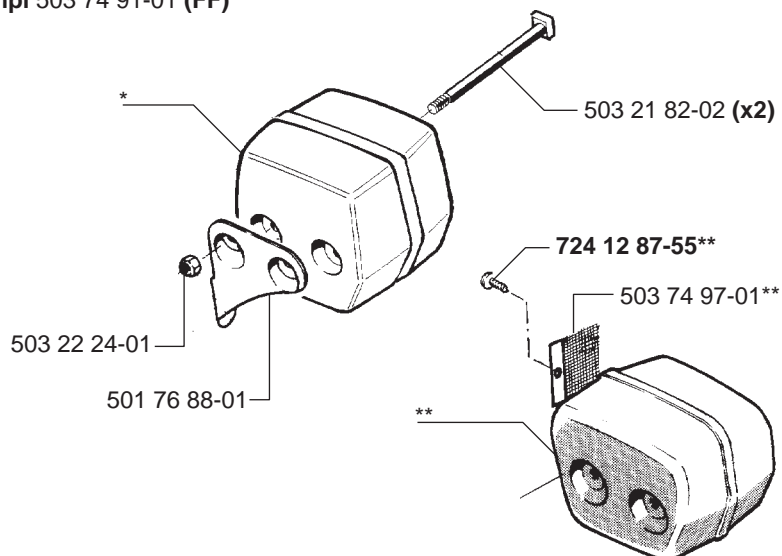
E

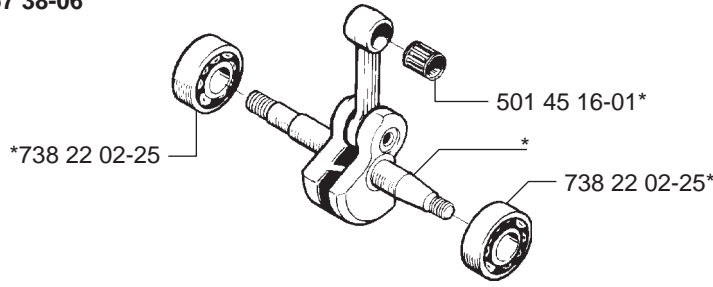
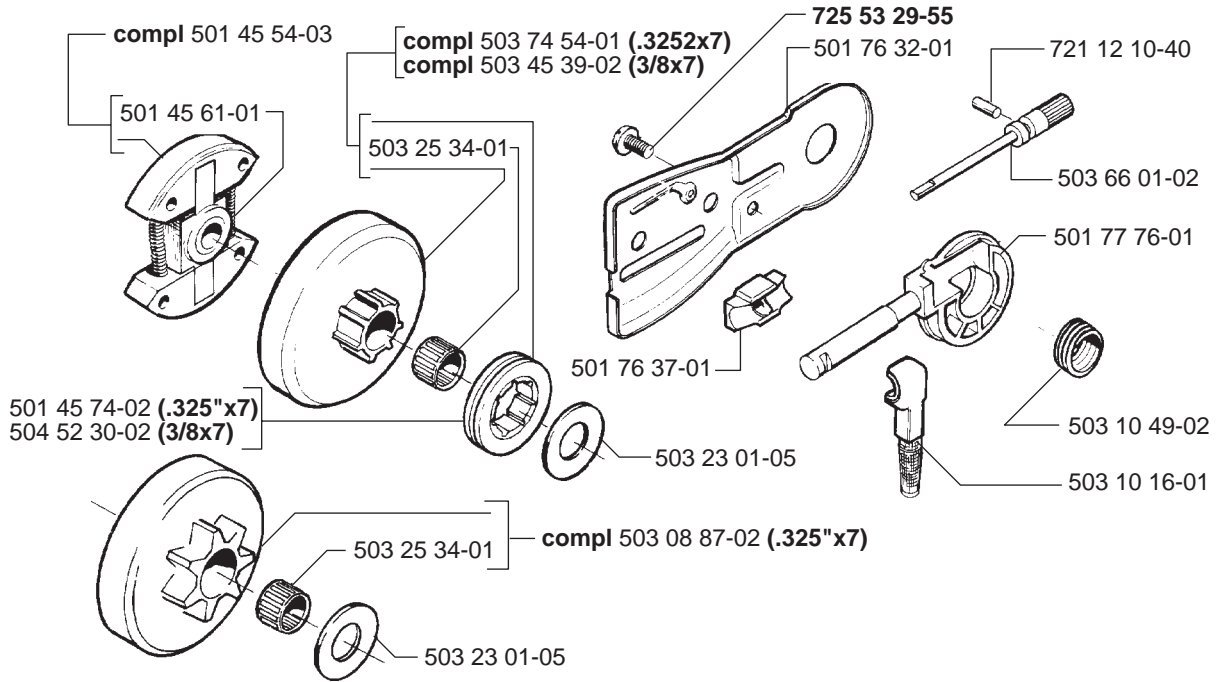
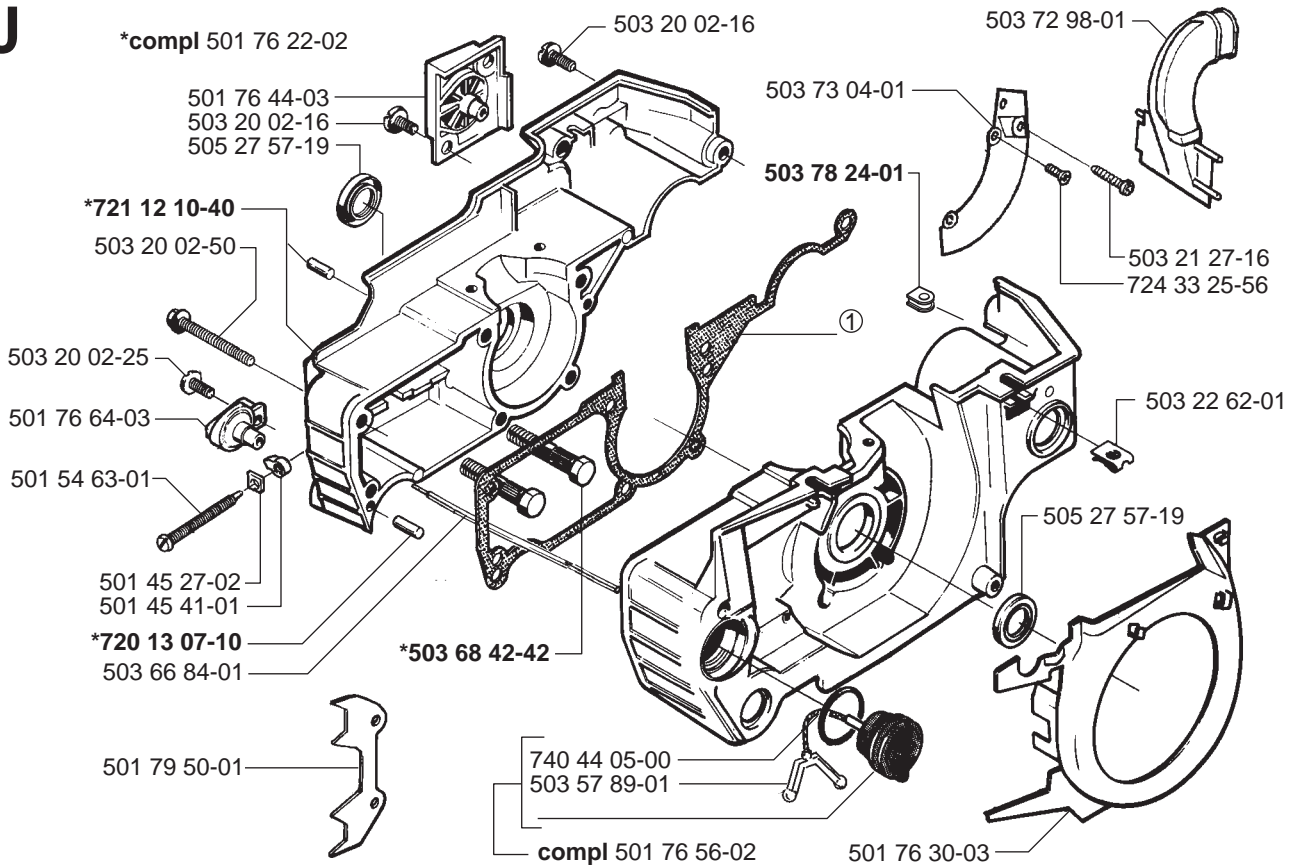
*compl 501 76 13-10



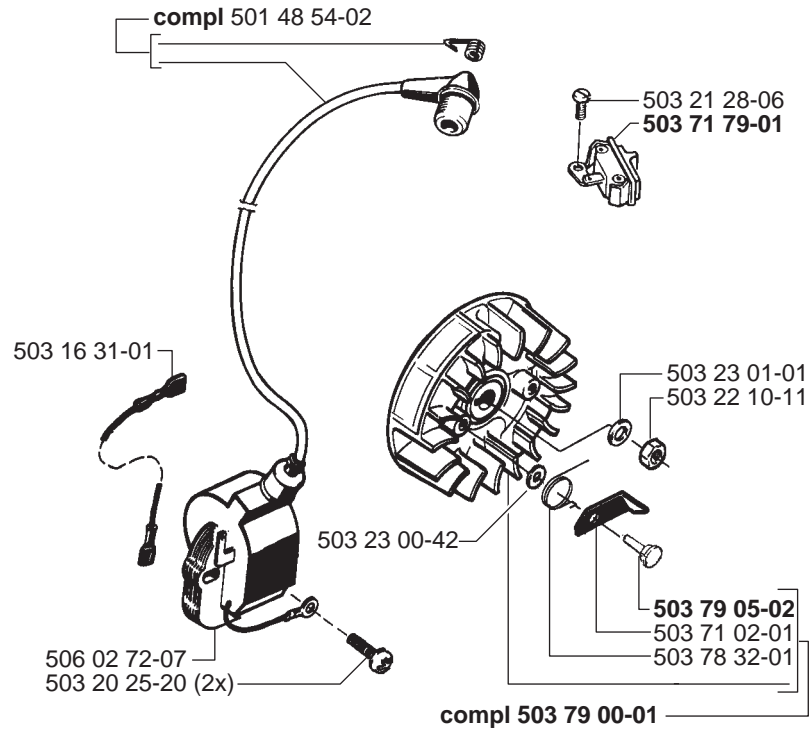
F

*compl 501 76 66-02 (FG)
**compl 503 74 91-01 (FF)



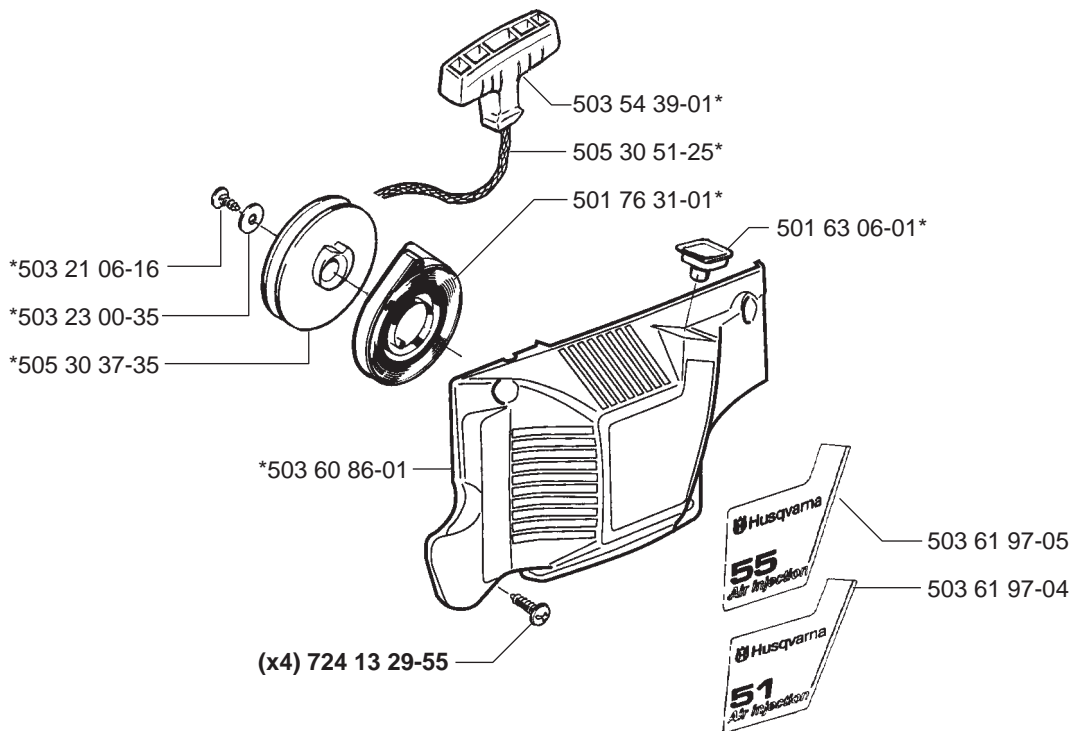
G***compl 503 57 38-06****H****J**

K



L

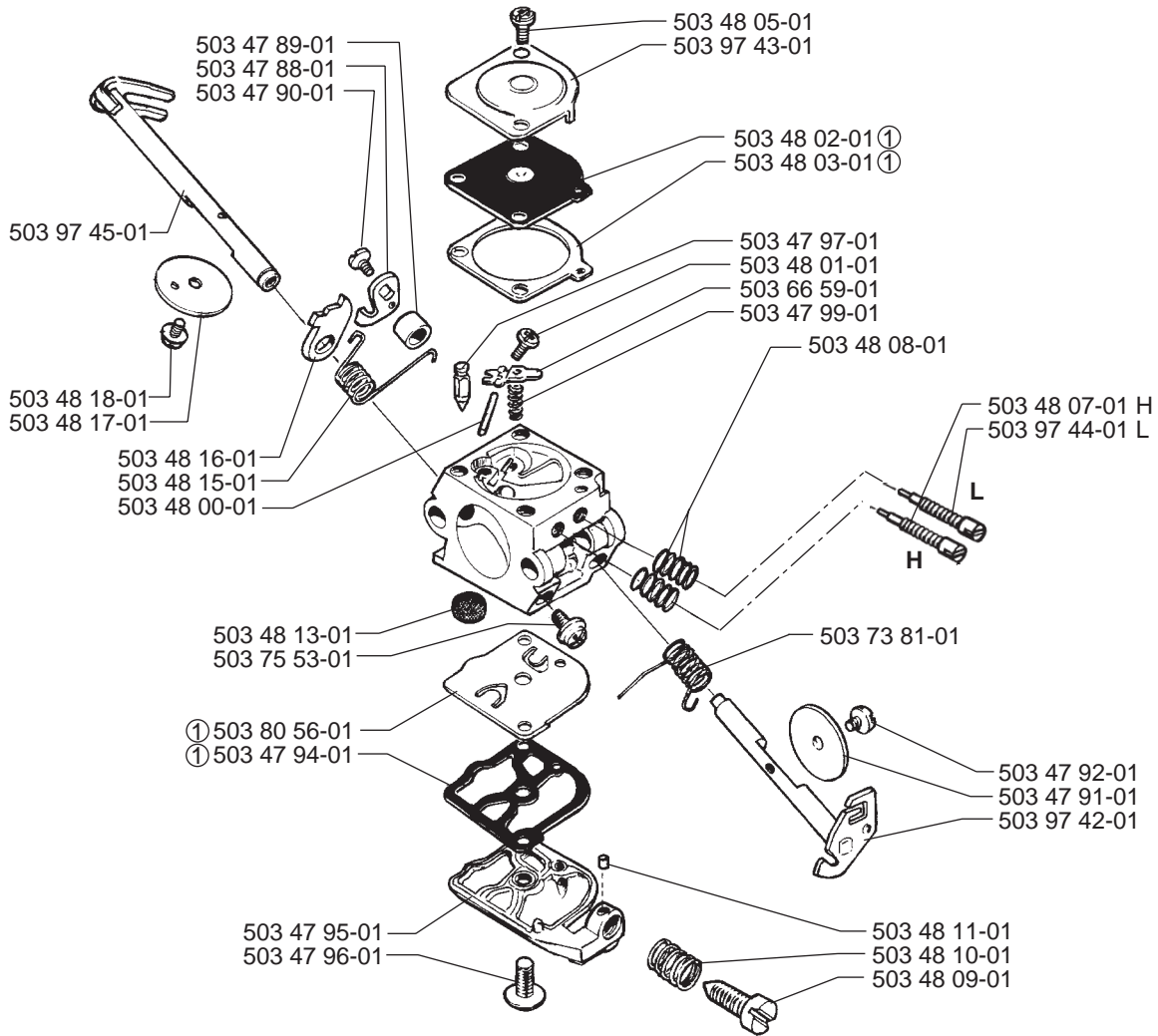
***compl 503 60 88-03**



M

compl 503 28 31-05

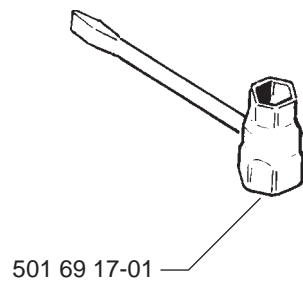
ZAMA C1Q-EL6



① 503 48 21-01
Set of gaskets
Dichtungssatz
Jeu de joints
Juego de Juntas
Packningssats

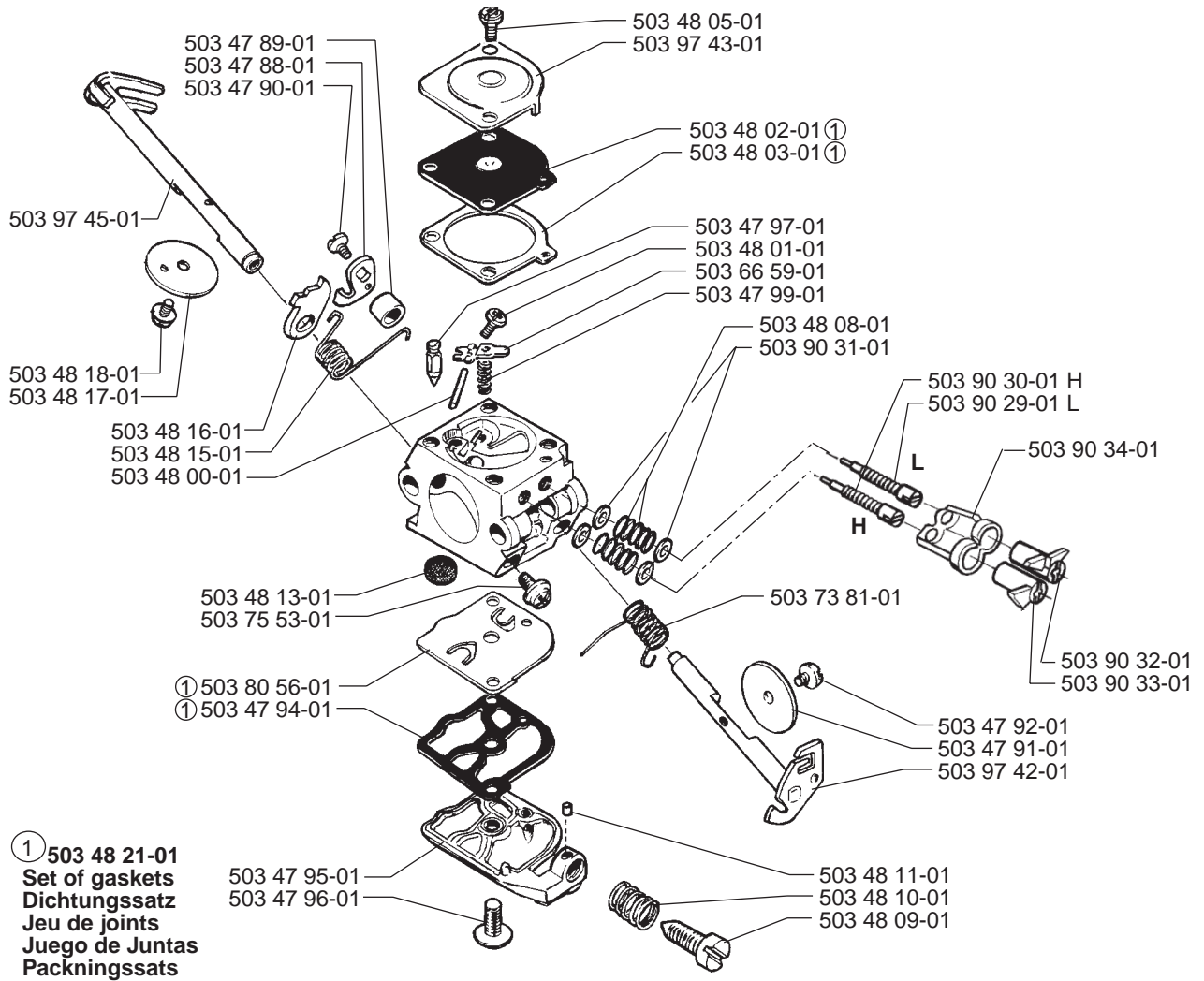
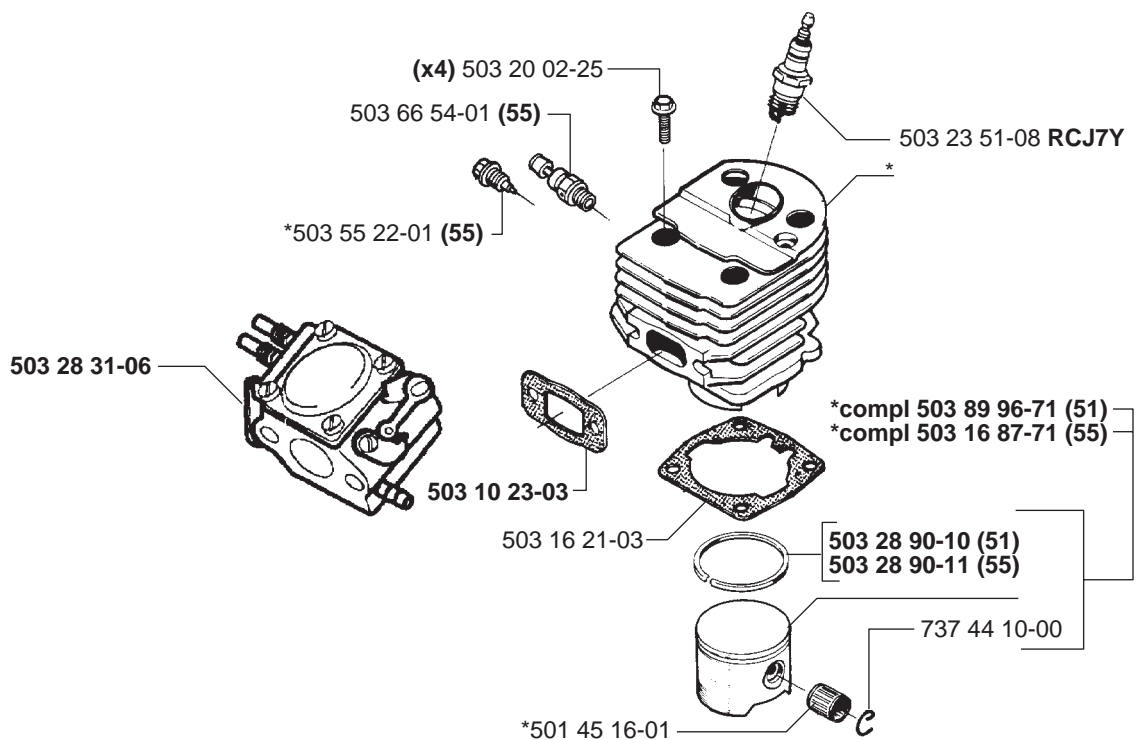
N

Tillbehör
Accessories
Zubehöre
Accessoires
Accesorios



O

compl 503 28 31-06

ZAMA C1Q-EL7 (EPA)**P***compl 503 92 41-71 (51, ø45mm)
*compl 503 97 18-71 (55, ø46mm)**EPA (for USA only)**

MODEL NUMBER 51/55

PART NUMBER	SQUARE	NOTE	PART NUMBER	SQUARE	NOTE	PART NUMBER	SQUARE	NOTE	PART NUMBER	SQUARE	NOTE
501 45 16-01	CGP		503 22 62-01	J		503 73 58-01	E	N			
501 45 27-02	J		503 23 00-35	L		503 73 81-01	M	N			
501 45 41-01	J		503 23 00-42	K		503 74 54-01	H				
501 45 54-03	H		503 23 01-01	K		503 74 91-01	F				
501 45 61-01	H		503 23 01-05	H		503 74 97-01	F				
501 45 74-02	H		503 23 51-08	CP		503 75 53-01	MO	N			
501 48 54-02	K		503 25 34-01	H		503 76 48-01	D				
501 54 63-01	J		503 26 30-17	E		503 78 22-04	B	N			
501 63 06-01	L		503 28 31-05	DM	N	503 78 24-01	J	N			
501 63 97-01	D		503 28 31-06	OP	N EPA	503 78 32-01	K				
501 69 17-01	N		503 28 90-10	P	N 51EPA	503 79 00-01	K	N			
501 76 13-10	E		503 28 90-11	CP		503 79 05-02	K	N			
501 76 18-02		1	503 28 90-14	C	N 55	503 80 27-01	A	N			
501 76 22-02	J		503 40 47-01	E		503 80 56-01	MO	N 2			
501 76 30-03	J		503 44 32-01	E		503 89 27-01	A	N			
501 76 31-01	L		503 45 39-02	H		503 89 81-01	D	N			
501 76 32-01	H		503 47 88-01	MO	N	503 89 81-02	D	N			
501 76 37-01	H		503 47 89-01	MO	N	503 89 82-01	D	N			
501 76 39-02	E		503 47 90-01	MO	N	503 89 96-71	P	N 51EPA			
501 76 44-03	J		503 47 91-01	MO	N	503 90 29-01	O	N EPA			
501 76 56-02	J		503 47 92-01	MO	N	503 90 30-01	O	N EPA			
501 76 64-03	J		503 47 94-01	MO	N 2	503 90 31-01	O	N EPA			
501 76 66-02	F		503 47 95-01	MO	N	503 90 32-01	O	N EPA			
501 76 80-01	A		503 47 96-01	MO	N	503 90 33-01	O	N EPA			
501 76 81-01	A		503 47 97-01	MO	N	503 90 34-01	O	N EPA			
501 76 83-01	E		503 47 99-01	MO	N	503 92 41-71	P	N 51EPA			
501 76 88-01	F		503 48 00-01	MO	N	503 97 18-71	P	N 55EPA			
501 77 00-02	D	1	503 48 01-01	MO	N	503 97 42-01	MO	N			
501 77 76-01	H		503 48 02-01	MO	N 2	503 97 43-01	MO	N			
501 77 80-02	E		503 48 03-01	MO	N 2	503 97 44-01	M	N			
501 79 50-01	J		503 48 05-01	MO	N	503 97 45-01	MO	N			
501 81 96-02	E		503 48 07-01	M	N	504 52 30-02	H				
501 87 29-07	E		503 48 08-01	MO	N	505 27 57-19	J				
501 87 31-01	E		503 48 09-01	MO	N	505 30 37-35	L				
501 87 42-02	A		503 48 10-01	MO	N	505 30 51-25	L				
501 87 47-01	A		503 48 11-01	MO	N	505 31 07-51	D				
501 87 53-01	A		503 48 13-01	MO	N	506 02 72-07	K				
501 87 54-01	A		503 48 15-01	MO	N	506 16 48-01	A	N			
501 87 77-02	E		503 48 16-01	MO	N	720 12 33-00	A				
503 08 46-01	E		503 48 17-01	MO	N	720 12 42-20	E	N			
503 08 87-02	H		503 48 18-01	MO	N	720 13 07-10	J	N			
503 09 79-04	E		503 48 21-01		N 2	720 13 14-20	E				
503 10 16-01	H		503 49 32-01	A		721 12 10-40	HJ				
503 10 23-03	CP	N 1	503 49 81-03	A	N	721 42 52-50	A				
503 10 49-02	H		503 54 39-01	L		724 12 87-55	F	N			
503 15 21-01	A		503 55 22-01	CP	55	724 13 29-55	L	N			
503 16 16-02	D		503 57 38-06	G	N	724 33 25-56	J				
503 16 21-03	CP	1	503 57 50-01	E		725 53 29-55	H	N			
503 16 31-01	K		503 57 89-01	EJ		735 31 08-20	A				
503 16 77-01	C	51	503 60 81-01	C	55	737 44 10-00	CP				
503 16 83-01	C	51	503 60 84-01	D		738 22 02-25	G				
503 16 87-71	P	N 55EPA	503 60 86-01	L		740 44 05-00	J				
503 20 02-10	D		503 60 88-03	L							
503 20 02-16	DJ		503 60 90-05	B							
503 20 02-25	CJP		503 60 90-06	B							
503 20 02-50	J		503 60 91-04	C	55						
503 20 25-20	K		503 61 97-04	L	51						
503 20 26-16	A	N	503 61 97-05	L	55						
503 20 32-16	D	N	503 66 01-02	H							
503 21 06-16	EL		503 66 54-01	CP	55						
503 21 06-25	E		503 66 59-01	MO	N						
503 21 07-45	D		503 66 84-01	J							
503 21 27-16	J		503 68 42-42	J	N						
503 21 28-06	K		503 71 02-01	K							
503 21 28-10	A		503 71 79-01	K	N						
503 21 43-38	B		503 71 87-01	A							
503 21 82-02	F		503 72 98-01	J							
503 22 00-01	A		503 73 04-01	J							
503 22 10-11	K		503 73 08-01	D							
503 22 24-01	F		503 73 09-01	D							

N= New part
 Neues Teil
 Nouvelle pièce
 Nueva pieza
 Ny detalj

1= 501 76 18-02
 Set of gaskets
 Dichtungssatz
 Jeu de joints
 Juego de juntas
 Packningssats

2= 503 48 21-01
 Set of gaskets
 Dichtungssatz
 Jeu de joints
 Juego de juntas
 Packningssats

EPA= Environmental Protection Agency
 (for USA only)
 51= only for model 51
 55= only for model 55
 51EPA= only for model 51 EPA approved
 55EPA= only for model 55 EPA approved