

# 395, 395 EPA

Spare parts  
Ersatzteile  
Pièces détachées  
Reserve onderdelen  
Repuestos  
Reservdelar

MODEL 395, 395 EPA

PART NUMBER	SQUARE NOTE	PART NUMBER	SQUARE NOTE	PART NUMBER	SQUARE NOTE	PART NUMBER	SQUARE NOTE
501 08 17-01	L	503 21 89-01	F	503 57 76-01	E	537 01 83-01	K
501 20 15-03	M	503 22 00-01	A	503 57 86-01	N	537 03 34-01	E
501 22 04-01	N	503 22 10-02	LQ	503 57 89-01	EK	537 04 13-01	N
501 22 05-01	N	503 22 24-01	A	503 57 97-01	A	537 04 14-01	N
501 22 08-01	N	503 22 24-02	F	503 60 04-01	E	537 04 15-01	N
501 22 09-01	N	503 22 65-03	D	503 62 12-01	R	537 04 16-01	N
501 22 12-01	N	503 23 00-19	J	503 62 59-03	J	537 04 18-01	N
501 22 13-01	N	503 23 00-35	E	503 62 59-04	J	537 04 19-01	N
501 22 15-01	N	503 23 00-42	LQ	503 63 45-01	P	537 04 20-01	N
501 22 20-01	N	503 23 00-58	J	503 63 98-01	L	537 04 21-01	N
501 22 21-01	N	503 23 10-02	J	503 65 27-01	N	537 05 13-01	K
501 22 25-01	N	503 23 43-02	M	503 66 57-01	P	537 05 53-01	M
501 27 08-01	K	503 23 51-09	C	503 66 58-01	P	537 05 53-02	M
501 28 85-01	J	503 25 30-01	J	503 66 61-01	A	537 05 59-01	B
501 43 00-01	Q	503 26 02-05	K	503 66 84-04	K	537 06 32-01	Q
501 48 52-01	N	503 26 30-17	EK	503 66 94-02	F	537 06 53-01	Q
501 48 53-03	K	503 28 04-10	DN	503 68 41-01	D	537 06 89-01	N
501 48 54-02	L	503 28 04-14	DN	503 68 94-01	L	537 06 90-01	N
501 49 27-03	K	503 28 90-35	C	503 68 94-02	Q	537 06 95-01	N
501 49 48-02	N	503 40 06-07	D	503 69 02-01	A	537 06 98-01	N
501 51 54-02	F	503 41 79-01	P	503 70 11-01	D	537 07 00-01	N
501 51 72-01	AK	503 42 14-01	J	503 70 15-02	J	537 08 64-01	K
501 51 99-01	J	503 42 24-01	J	503 70 89-01	D	537 08 83-01	K
501 53 73-01	K	503 44 06-02	Q	503 70 89-02	D	537 09 05-71	G
501 53 74-01	K	503 44 32-01	E	503 70 89-03	D	537 09 62-01	Q
501 54 41-02	J	503 46 24-02	M	503 71 13-04	F	537 10 31-01	K
501 54 48-01	J	503 46 32-71	P	503 71 13-05	F	537 10 82-01	N
501 59 74-03	Q	503 46 35-71	H	503 71 13-07	F	537 11 42-01	M
501 59 79-02	J	503 46 35-73	Q	503 71 24-01	A	537 13 00-01	N
501 59 80-02	J	503 46 37-02	J	503 71 53-01	C	537 13 33-01	Q
501 61 52-01	C	503 46 40-01	J	503 71 71-01	A	537 13 76-71	C
501 62 93-08	Q	503 46 42-01	J	503 71 76-02	E	720 12 33-00	A
501 63 06-01	M	503 46 43-01	J	503 71 79-01	L	720 12 40-20	E
501 63 44-06	Q	503 46 48-01	M	503 71 81-01	Q	720 12 72-20	E
501 67 32-01	LQ	503 46 55-01	K	503 72 06-01	A	721 42 03-25	J
501 67 35-01	LQ	503 46 56-01	C	503 72 07-02	A	721 42 52-50	A
501 68 89-01	R	503 46 77-01	K	503 72 08-01	A	724 12 87-59	F
501 76 80-01	A	503 46 80-02	K	503 72 31-01	K	724 13 25-55	K
501 79 51-02	Q	503 46 84-01	K	503 73 15-06	A	724 32 24-05	Q
501 81 74-01	CG	503 46 85-01	E	503 73 38-02	B	725 52 91-55	Q
501 81 96-02	EK	503 46 88-01	E	503 73 64-01	E	725 52 95-55	JL
501 81 99-01	LQ	503 46 88-02	E	503 74 36-01	M	725 53 09-55	D
501 82 17-01	N	503 46 95-01	E	503 74 93-01	K	725 53 33-55	K
501 82 18-01	N	503 46 95-02	E	503 75 38-01	E	725 53 37-55	K
501 83 98-07	L	503 47 00-01	K	503 76 08-01	A	725 53 43-55	K
501 87 25-01	E	503 47 05-01	K	503 76 13-71	R	731 23 14-01	K
501 87 47-01	A	503 47 16-01	K	503 77 98-01	N	735 11 73-50	LQ
501 87 53-01	A	503 47 17-01	K	503 80 27-01	A	735 31 08-20	A
501 89 67-02	M	503 47 34-01	E	503 82 98-01	E	737 44 13-00	C
501 91 14-01	R	503 47 49-01	C	503 83 92-71	K	738 22 03-25	G
502 01 22-01	N	503 48 63-01	N	503 84 20-01	M		
503 13 50-01	M	503 52 08-01	A	503 92 07-01	C		
503 13 96-01	R	503 52 29-02	F	503 93 47-01	P		
503 14 51-01	J	503 52 40-01	K	503 96 94-01	D		
503 20 02-08	D	503 52 64-09	B	503 96 96-01	D		
503 20 02-10	F	503 52 78-01	L	503 96 97-01	D		
503 20 02-12	AP	503 52 87-02	HPQ	503 97 39-01	D		
503 20 02-16	FK	503 53 36-01	N	503 97 48-01	D		
503 20 02-25	EK	503 53 39-01	N	503 97 63-01	K		
503 20 03-16	HP	503 54 35-04	B	503 98 74-01	B		
503 20 26-16	A	503 54 39-01	M	503 98 82-01	N		
503 20 34-19	M	503 55 22-01	C	503 98 85-01	N		
503 20 34-25	B	503 55 24-01	K	503 98 86-01	N		
503 21 05-22	HKPQ	503 55 66-01	E	503 98 88-01	N		
503 21 06-16	M	503 55 75-01	J	503 99 32-01	R		
503 21 27-10	K	503 55 85-02	R	503 99 39-71	C		
503 21 28-10	ALQ	503 55 86-01	R	504 02 65-00	N		
503 21 29-06	Q	503 55 86-02	R	504 52 14-03	N		
503 21 60-25	C	503 56 00-06	D	505 31 64-58	N		
503 21 60-40	C	503 57 37-01	A	505 31 65-50	N		

2 = 501 49 48-02

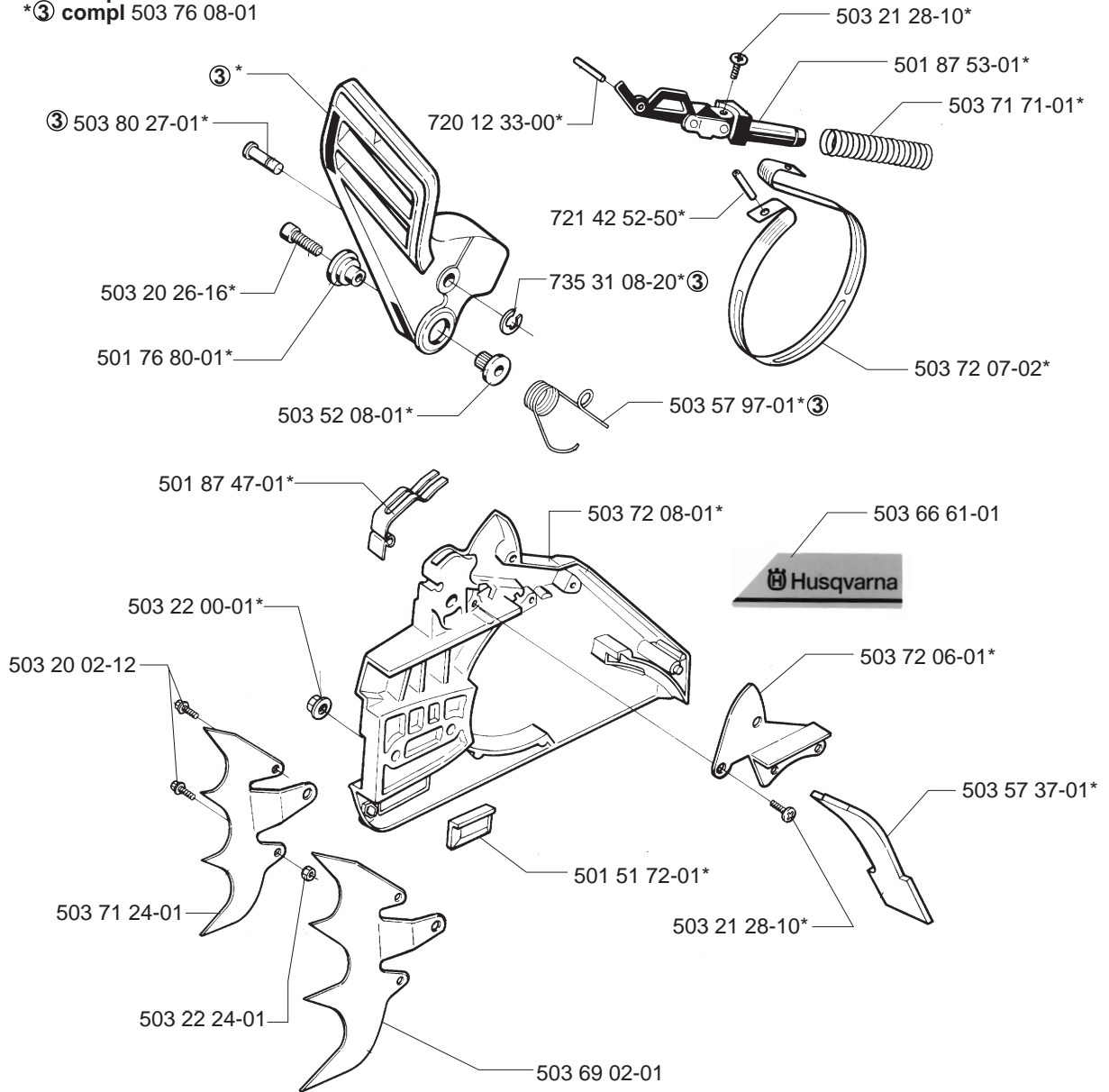
Set of gaskets  
Dichtungssatz  
Jeu de joints  
Juego de juntas  
Packningssats

N = New part  
Neues teil  
Nouvelle piece  
Nueva pieza  
Ny detalj

EPA = Environmental Protection Agency

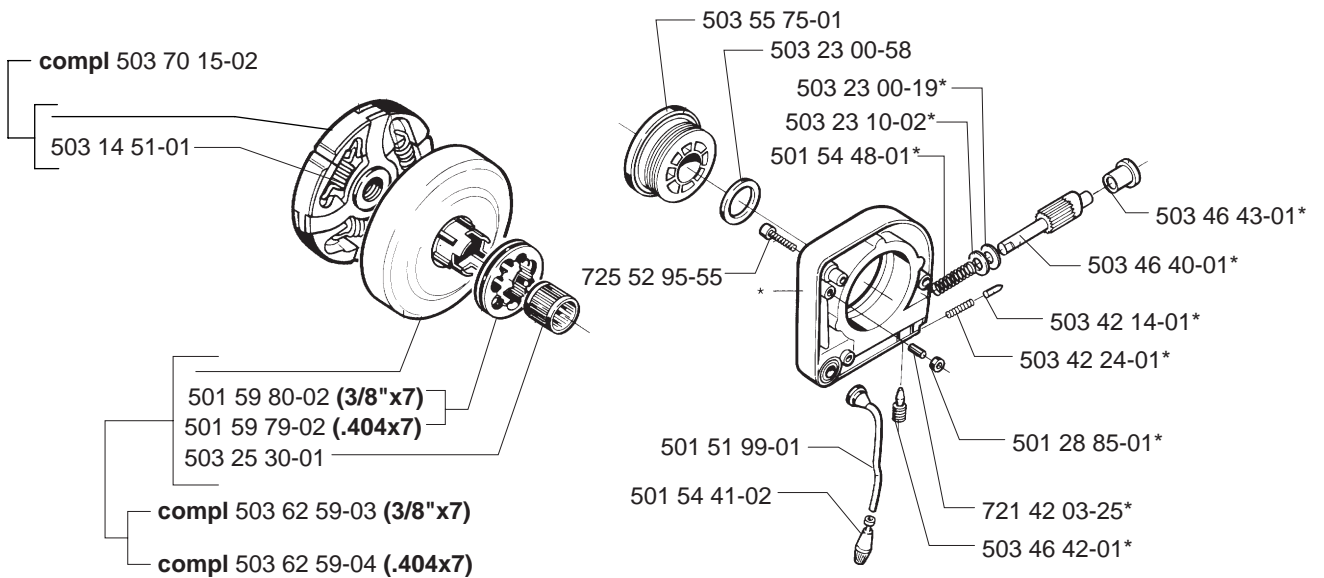
**A**

\*compl 503 73 15-06  
\*③ compl 503 76 08-01

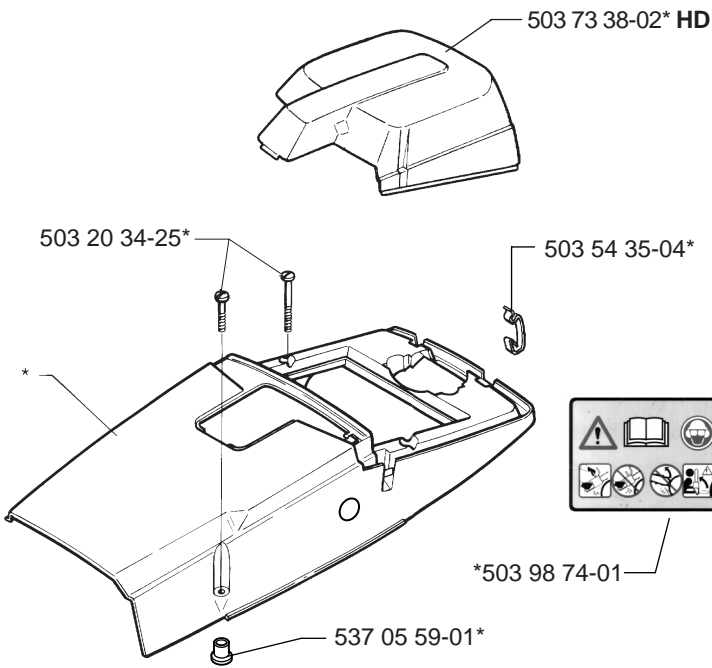


**J**

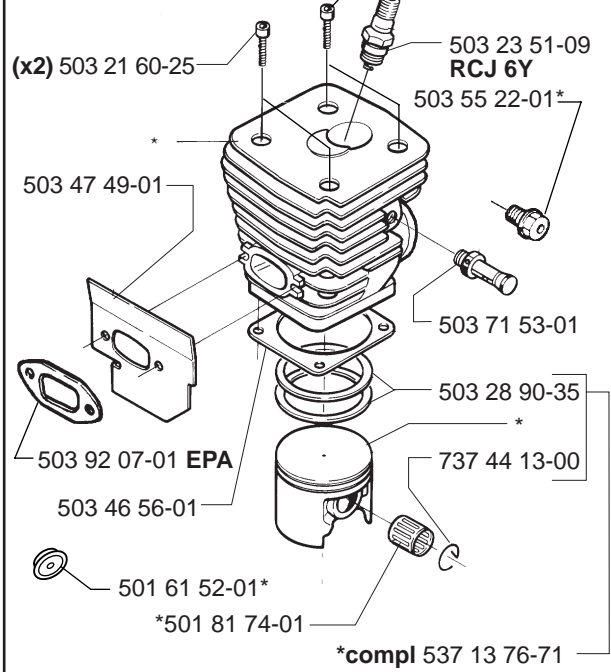
\*compl 503 46 37-02



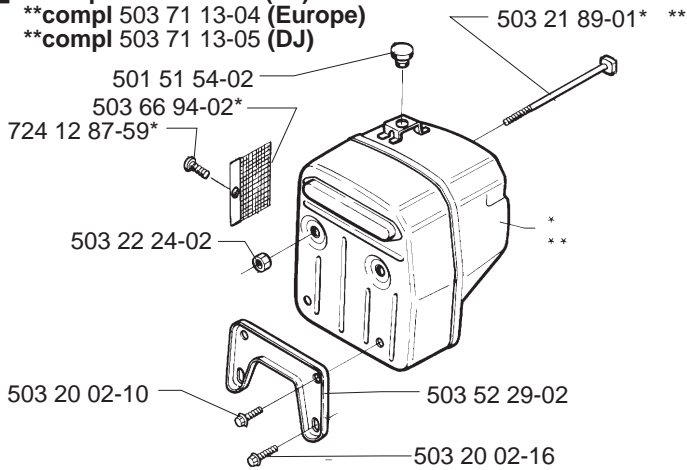
**B** \*compl 503 52 64-09 HD



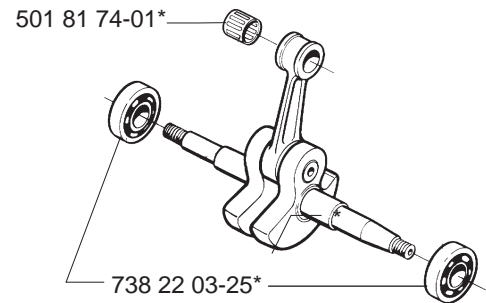
**C** \*compl 503 99 39-71



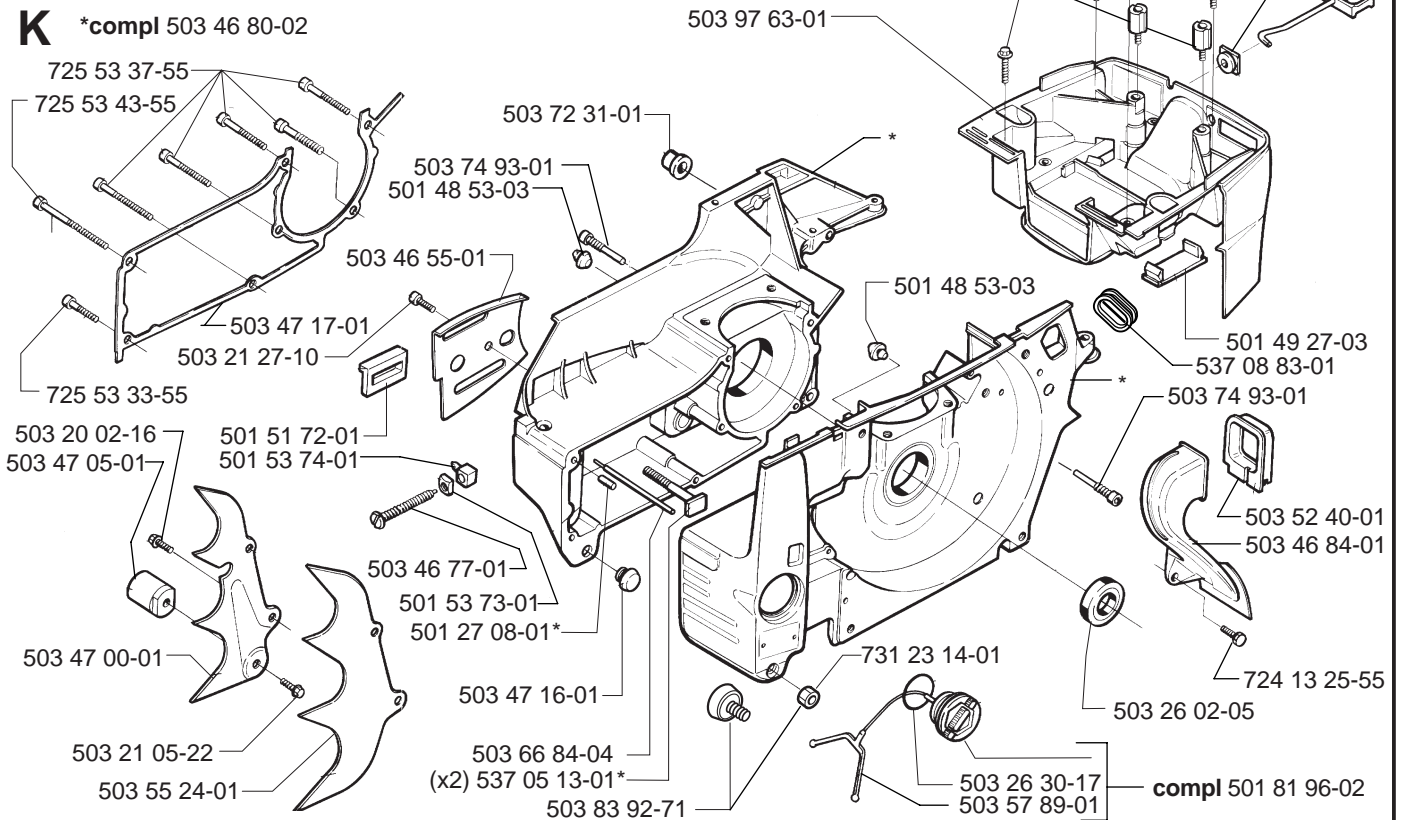
**F** \*compl 503 71 13-07 (FF)  
\*\*compl 503 71 13-04 (Europe)  
\*\*compl 503 71 13-05 (DJ)



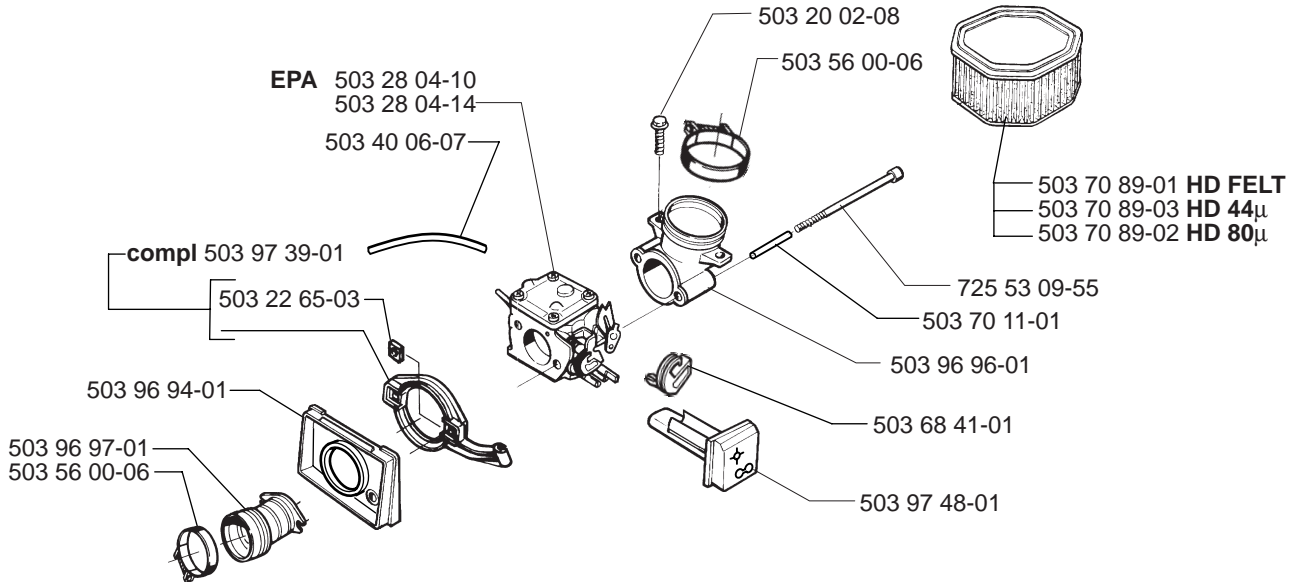
**G** \*compl 537 09 05-71



**K** \*compl 503 46 80-02

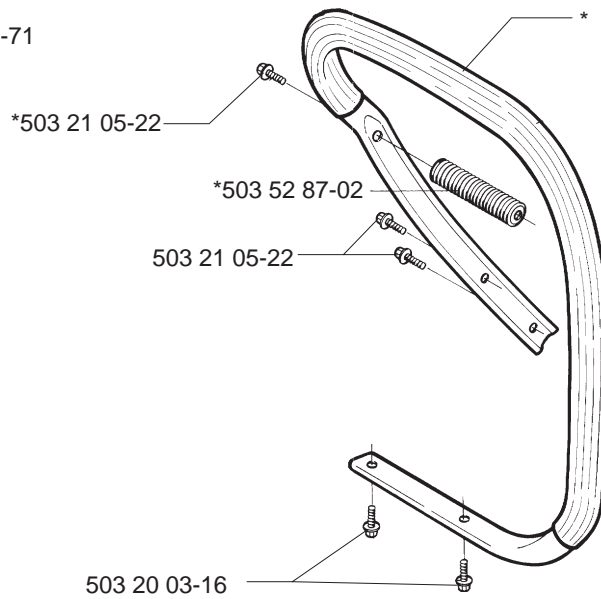


# D

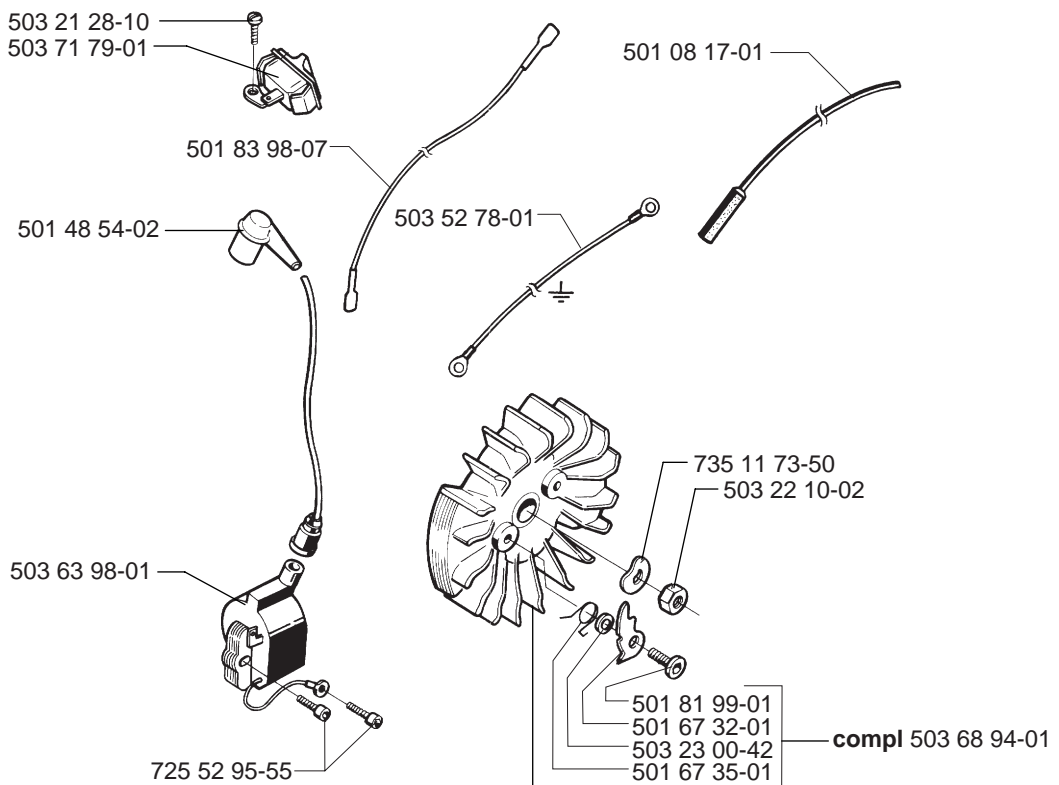


# H

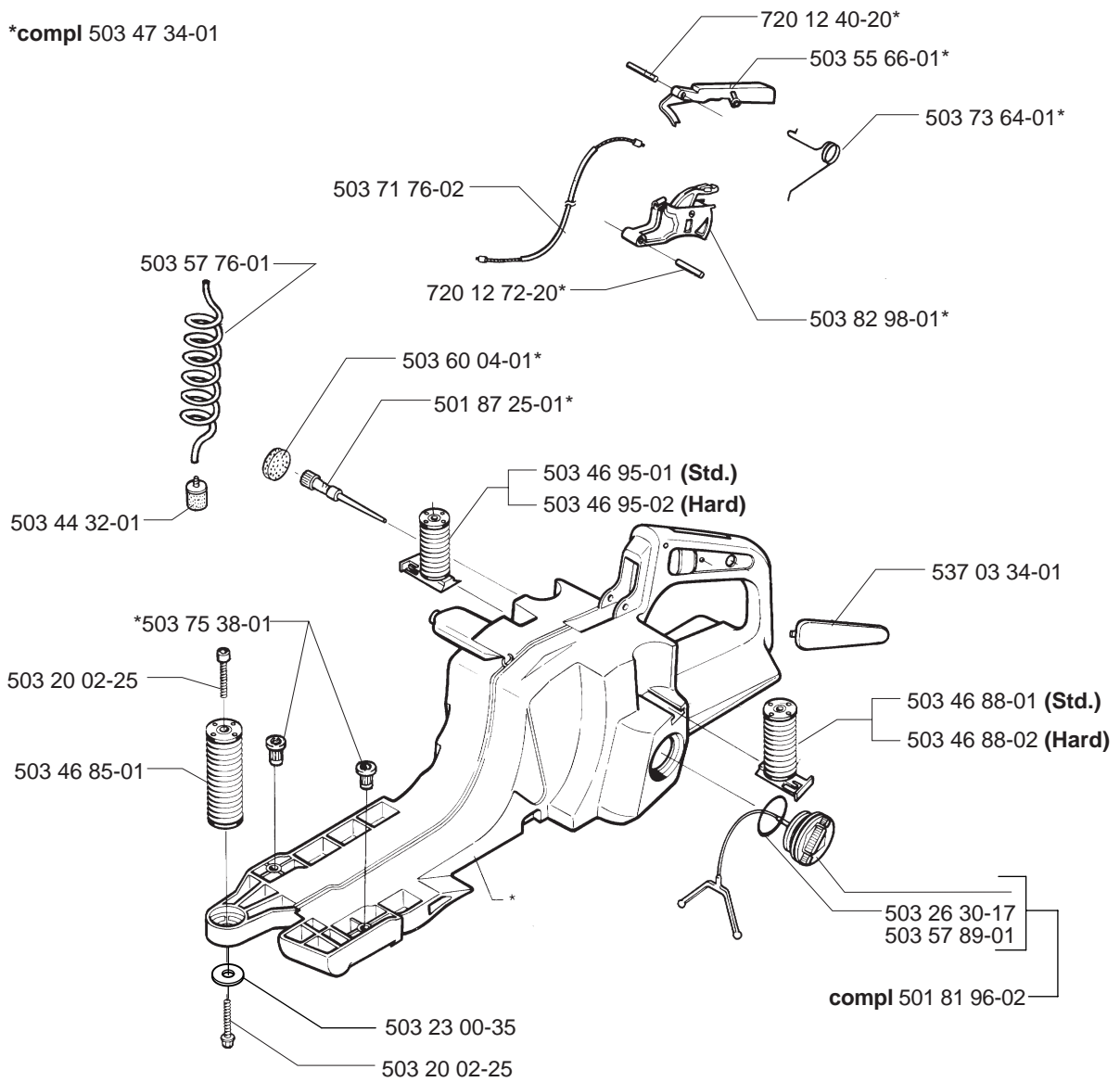
**\*compl** 503 46 35-71



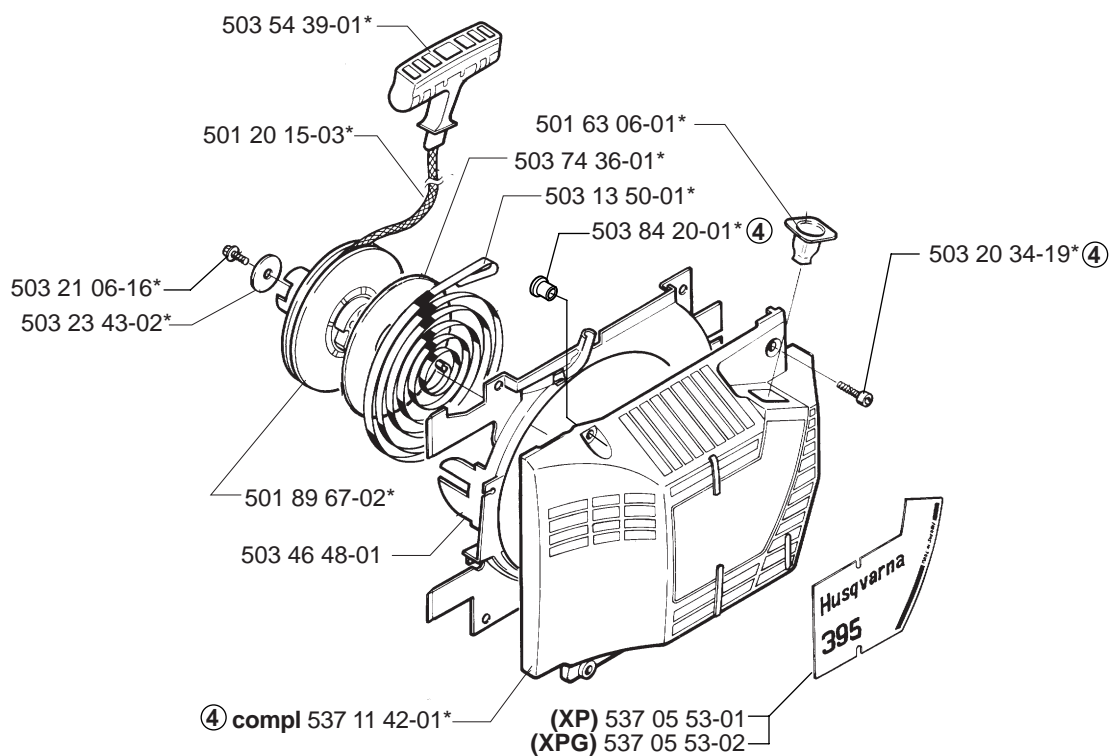
# L



**E** \*compl 503 47 34-01



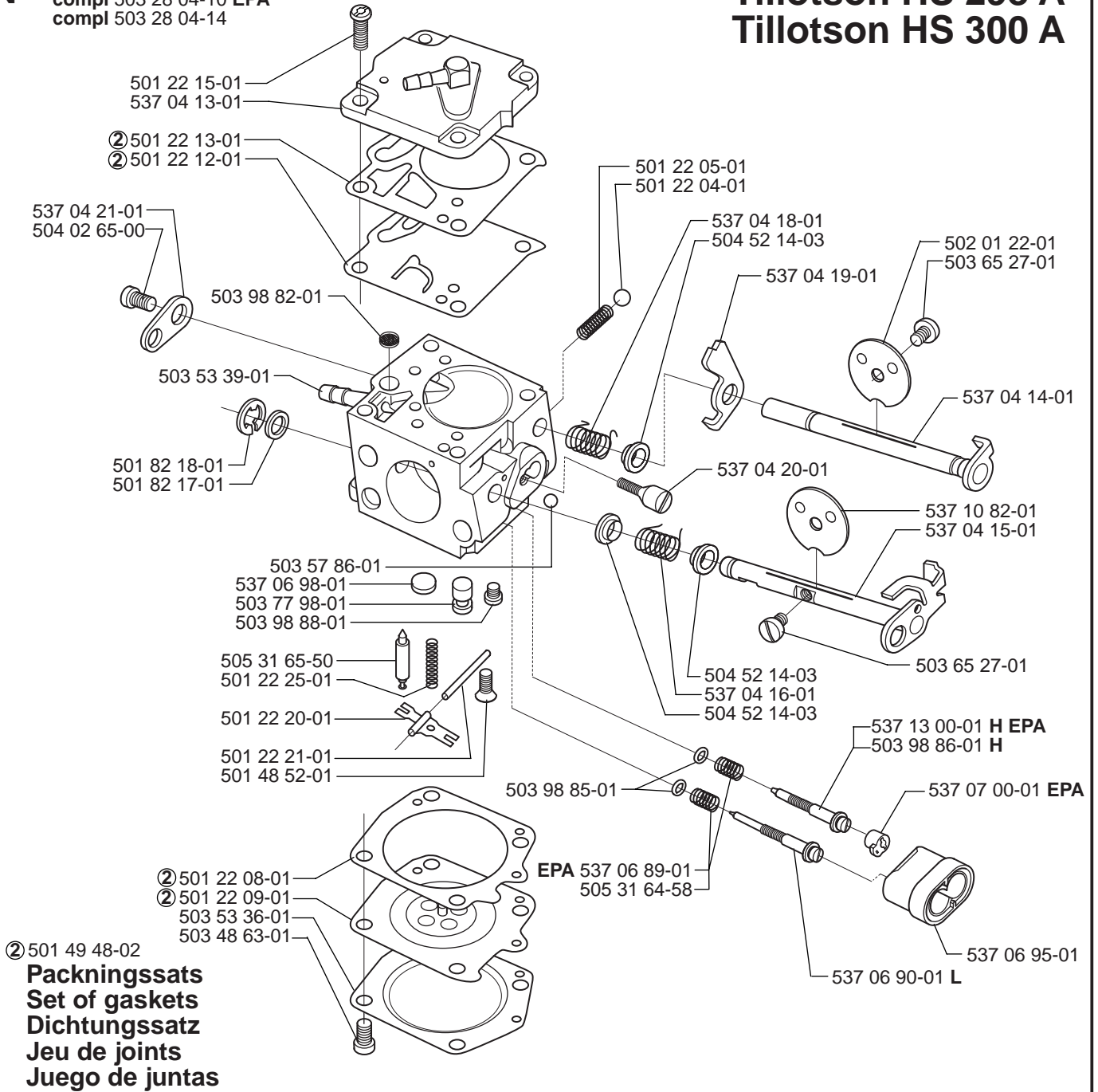
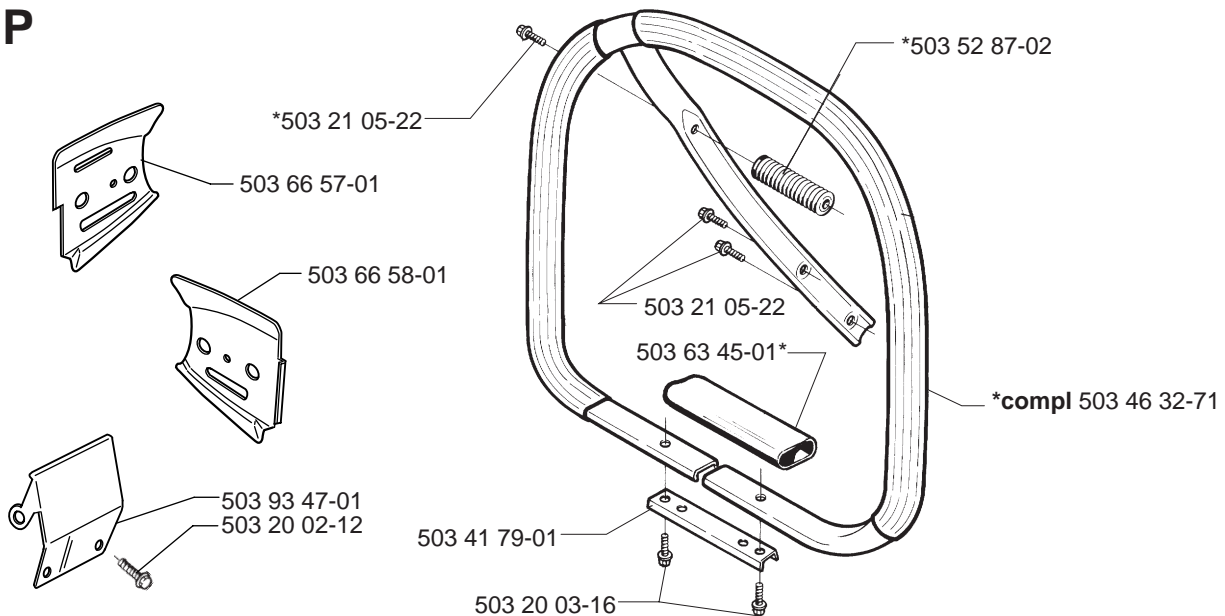
**M** \*compl 503 46 24-02



**N**

compl 503 28 04-10 EPA  
 compl 503 28 04-14

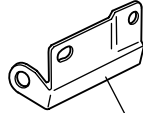
# Tillotson HS 298 A Tillotson HS 300 A

**P**

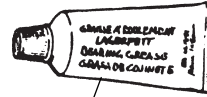
# R

## Tillbehör Accessories Zubehöre Accessoires Accesorios

\*compl 503 55 85-02



503 99 32-01



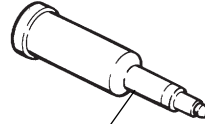
\*503 62 12-01



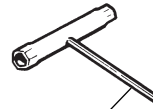
\*503 55 86-01 (NV4)



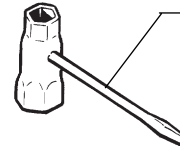
\*503 55 86-02 (NV5)



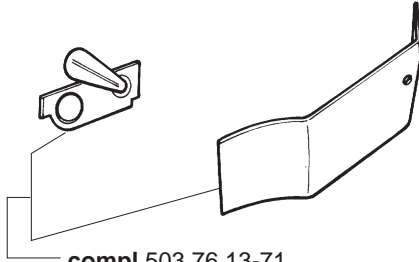
\*501 91 14-01



\*501 68 89-01



\*503 13 96-01



compl 503 76 13-71



Q

