

371, 371 EPA 362, 362 EPA

Spare parts

Ersatzteile

Pièces détachées

Reserve onderdelen

Repuestos

Reservdelar

Replaces

Ersetzt

Remplace

Vervangt

Reemplaza

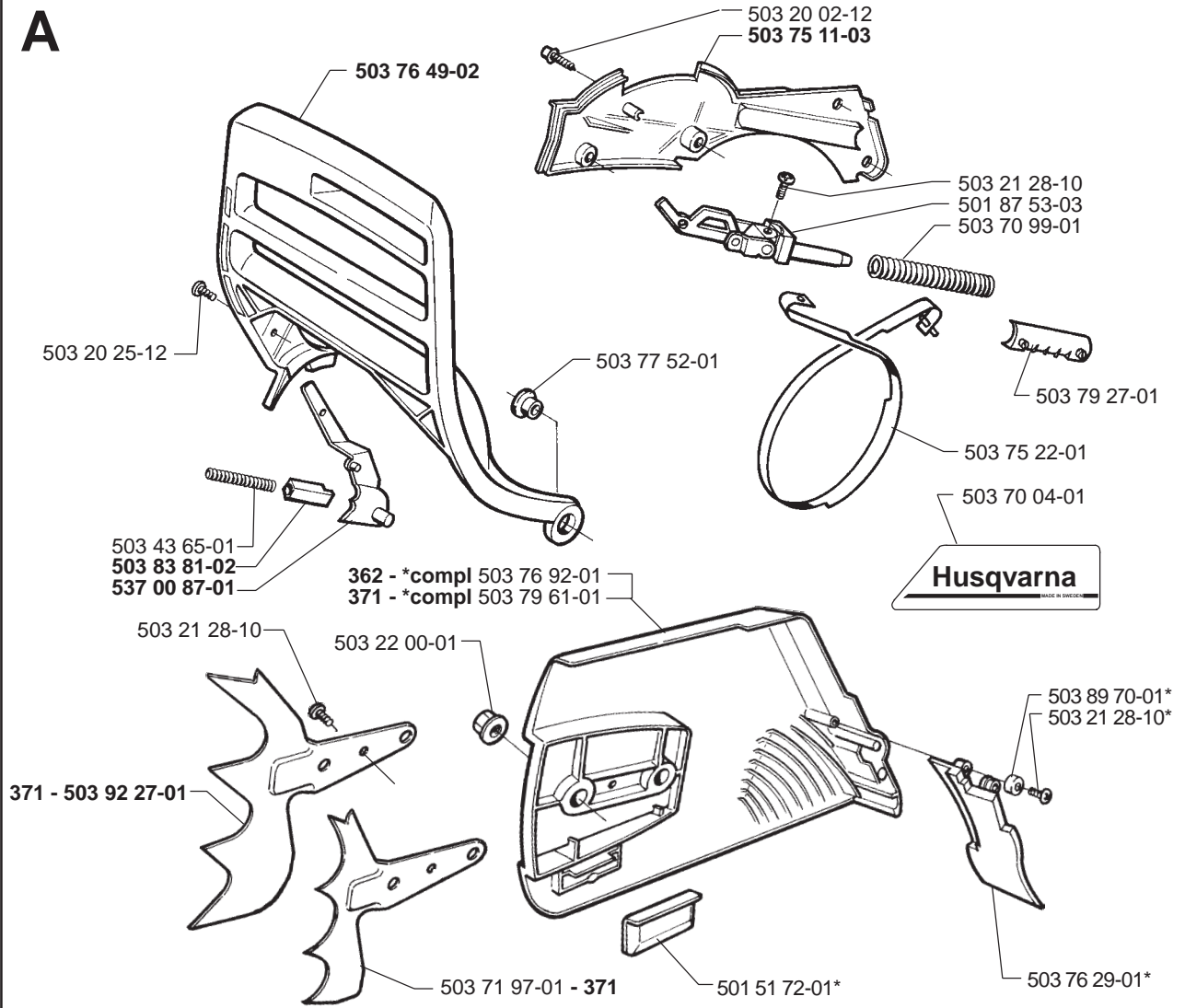
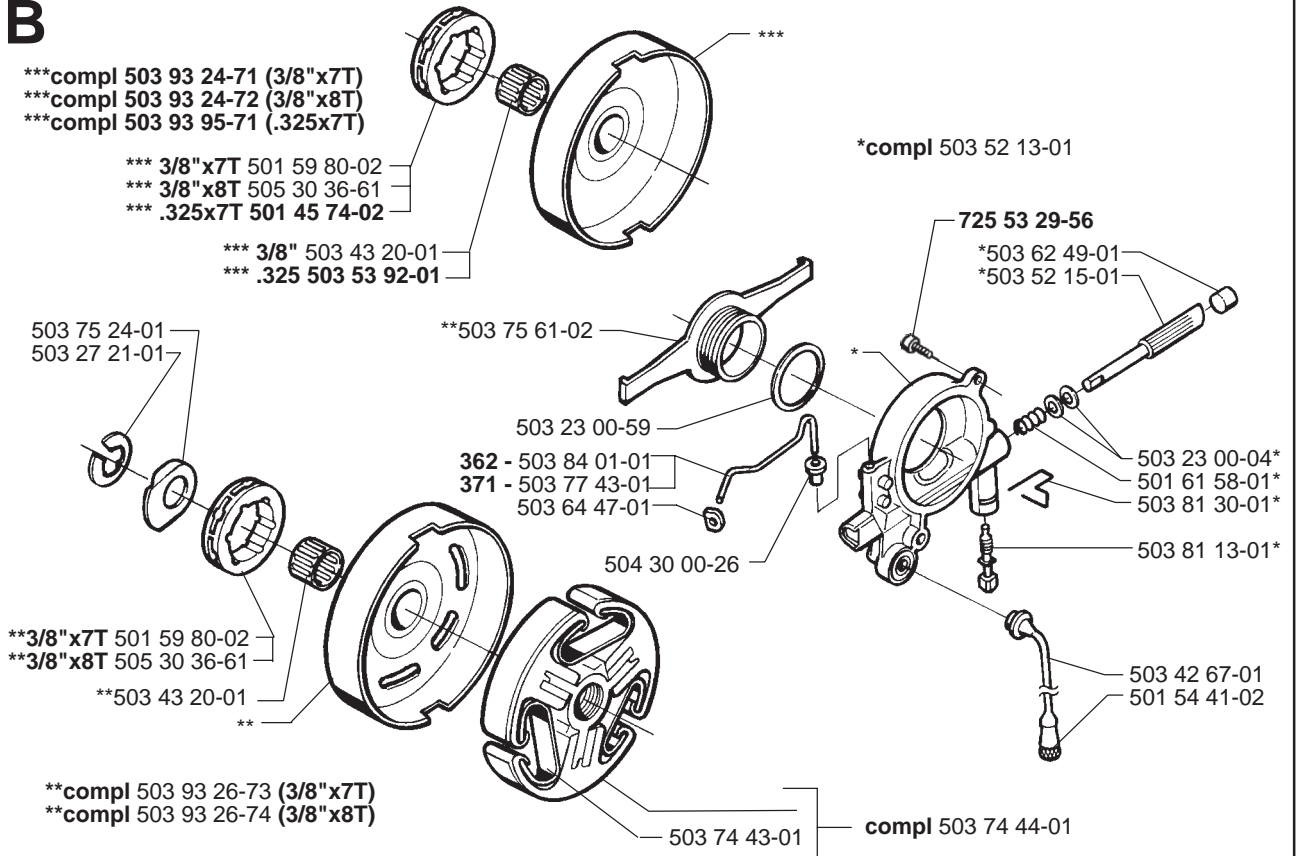
Ersätter

106 24 21-64

371

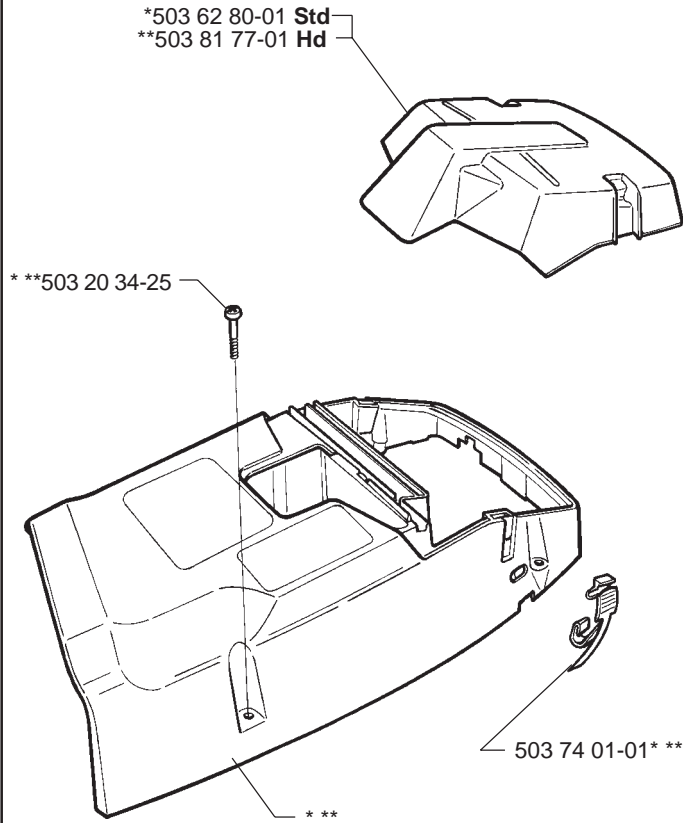
106 25 06-61

362

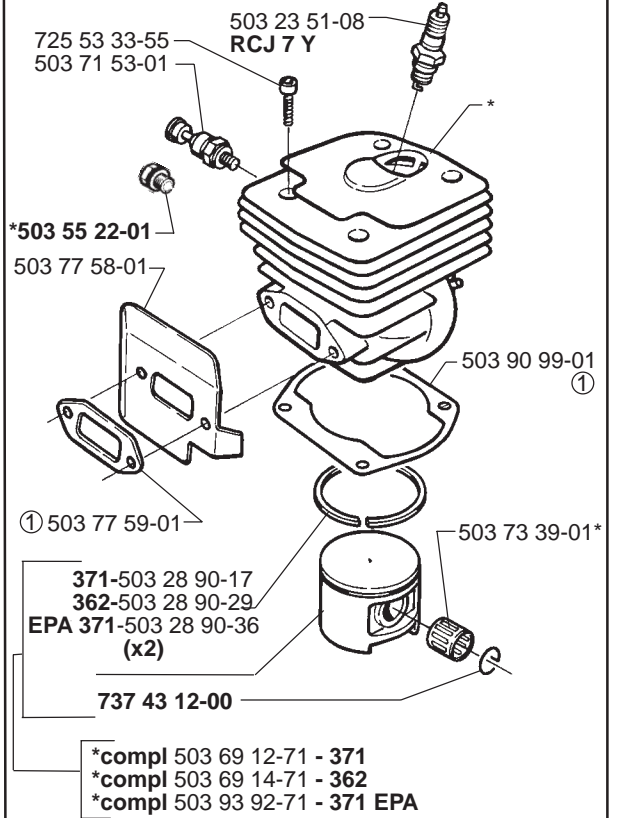
A**B**

C

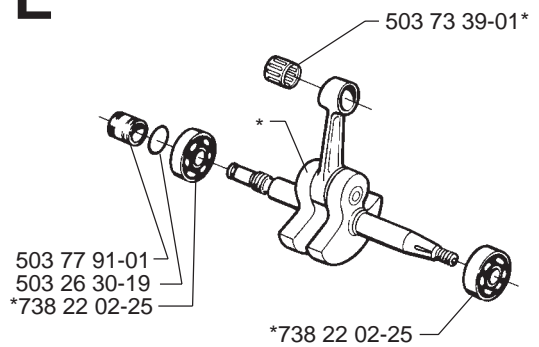
*compl 503 62 78-02 Std
 **compl 503 62 78-04 Hd

**D**

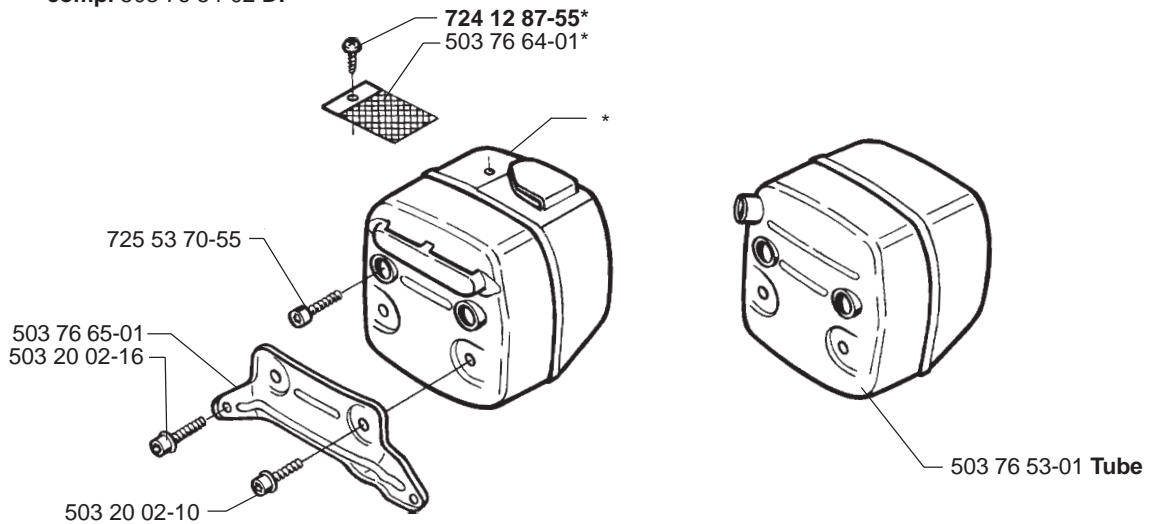
*compl 503 62 64-72 - 371
 *compl 503 96 52-71 - 362
 *compl 503 93 93-71 - 371 EPA

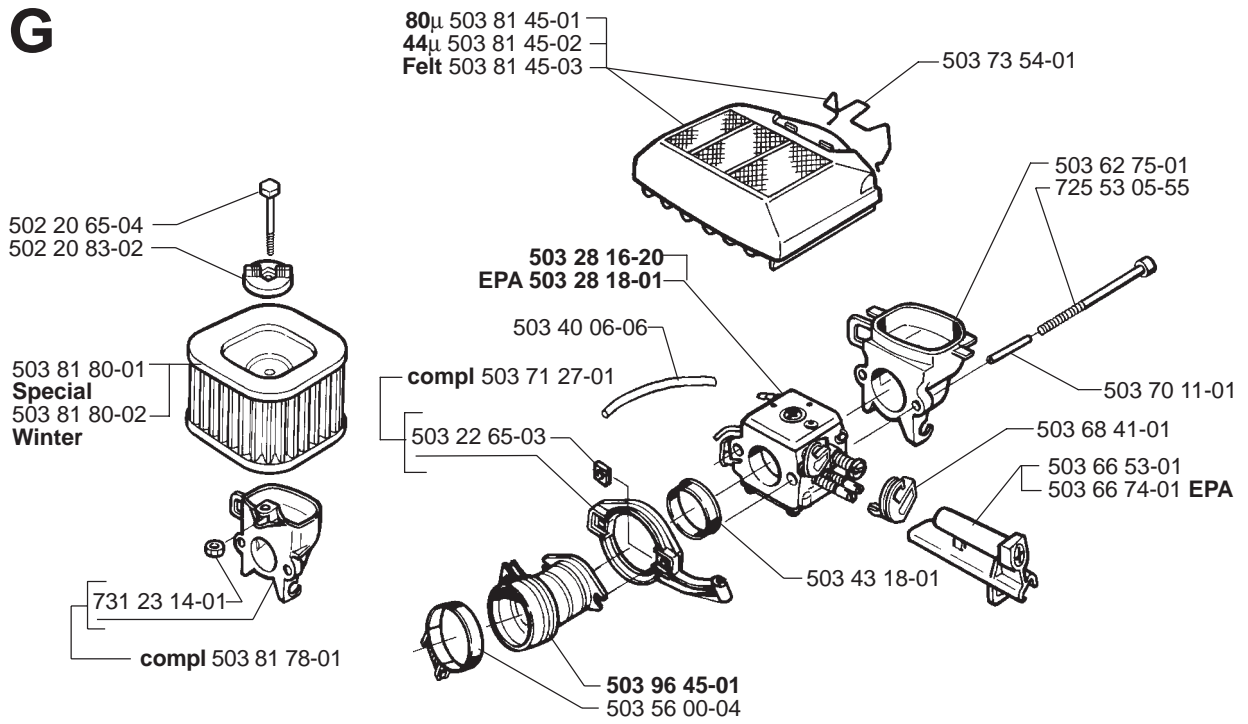
**E**

*compl 503 72 91-76

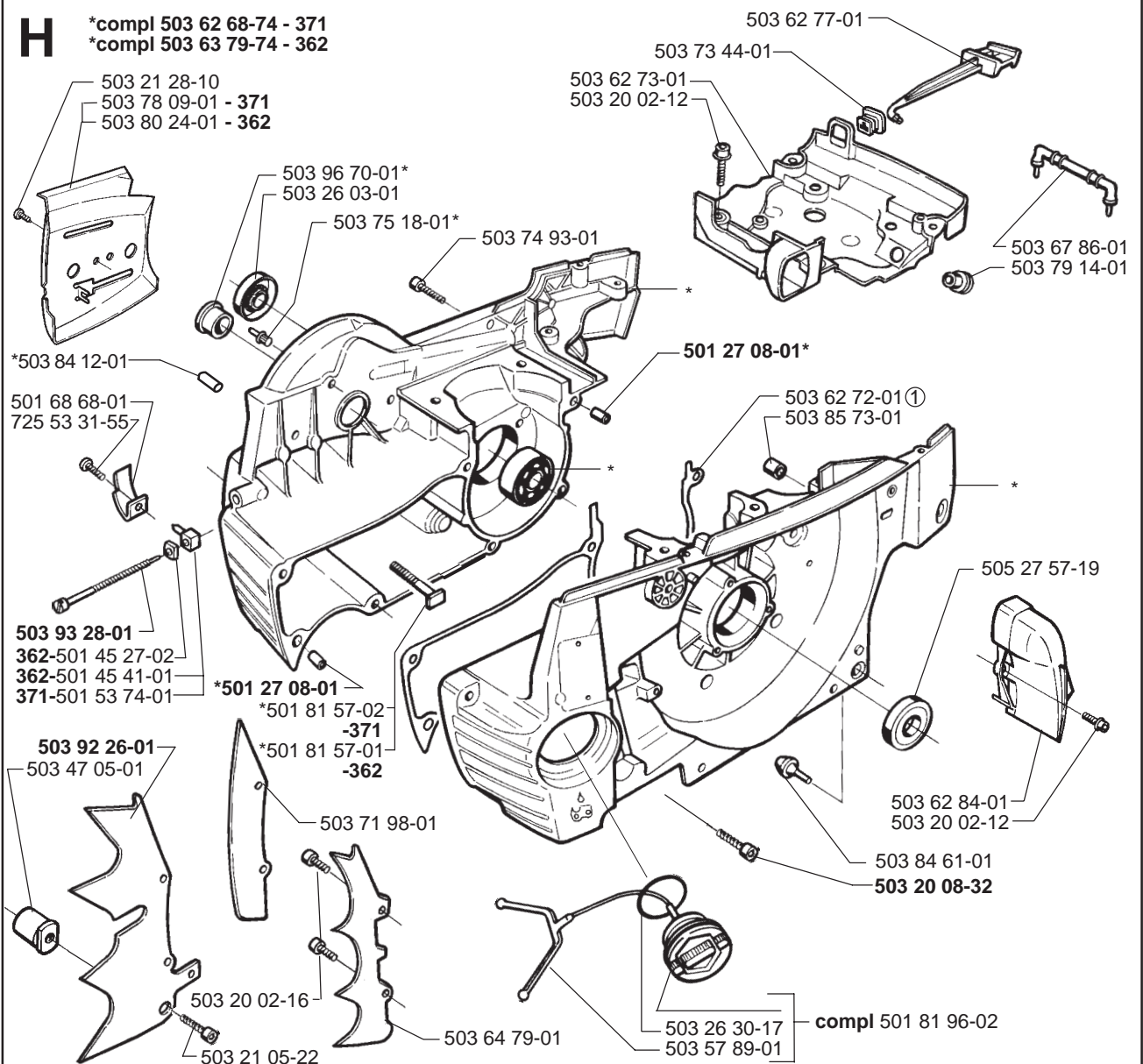
**F**

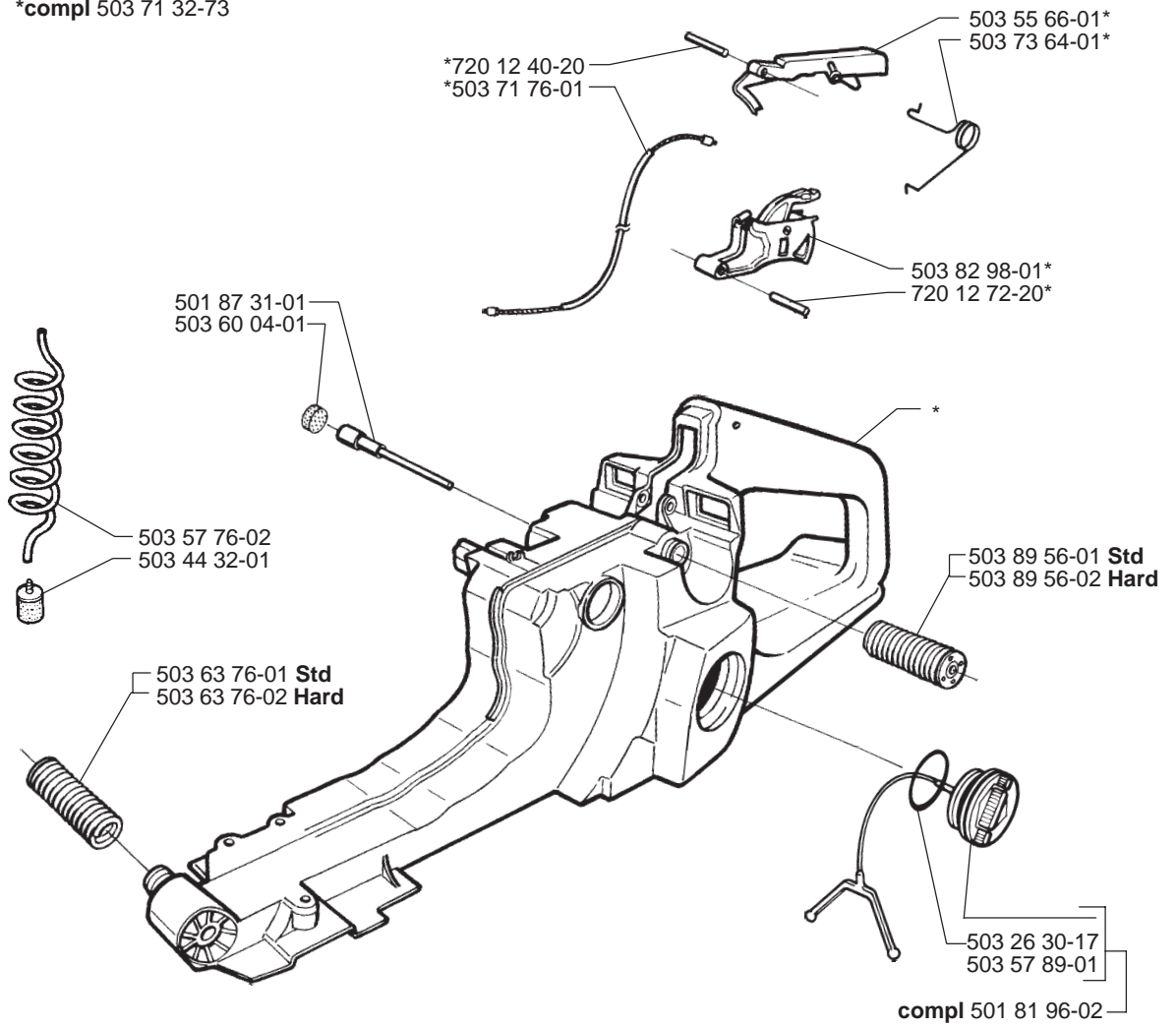
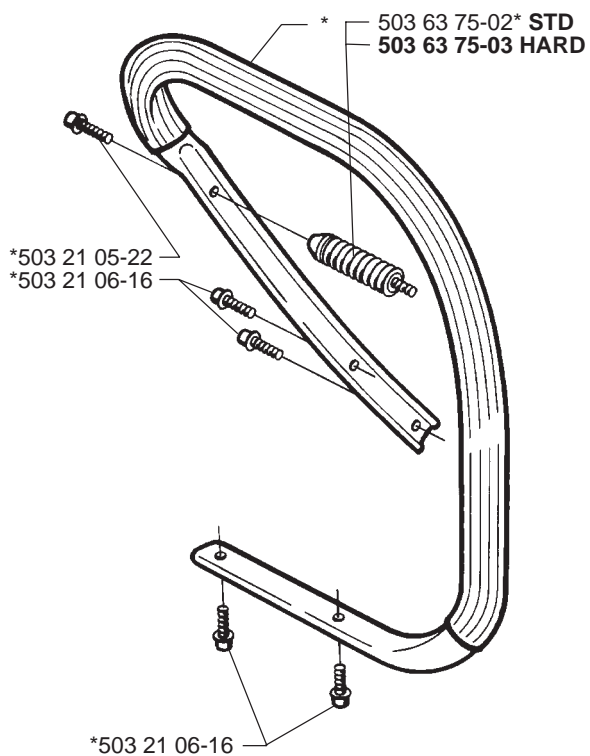
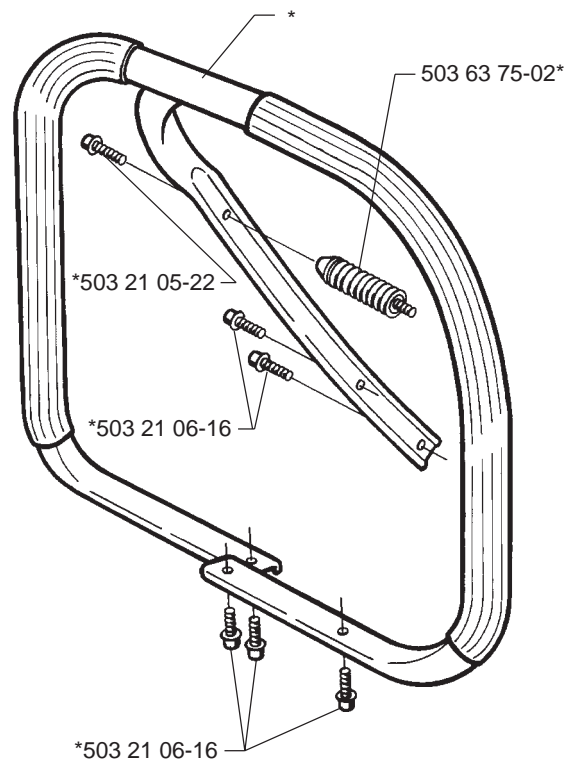
compl 503 76 52-01 FG
 *compl 503 76 53-02 Jungle
 *compl 503 76 54-02 DF



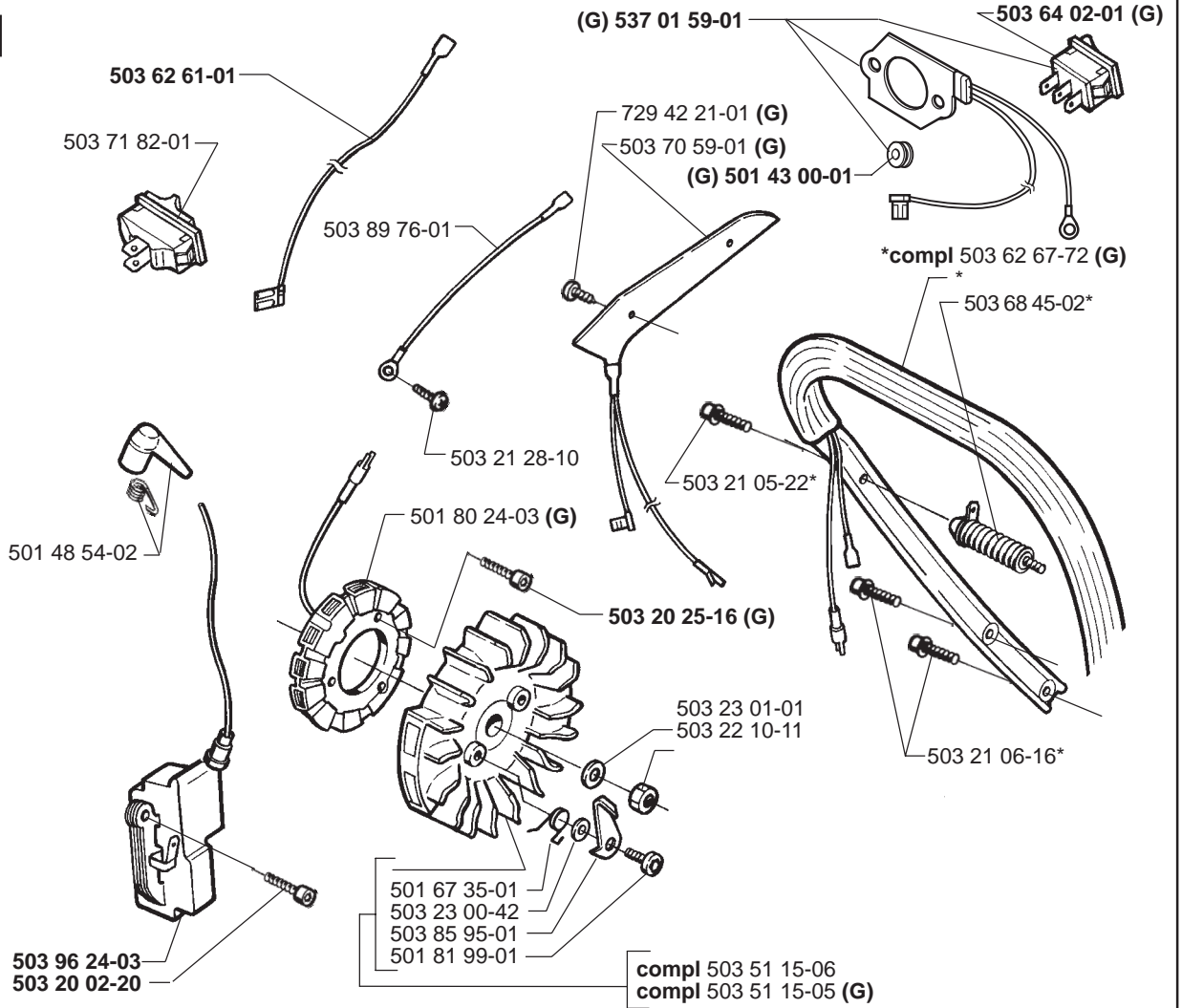
G**H**

*compl 503 62 68-74 - 371
 *compl 503 63 79-74 - 362

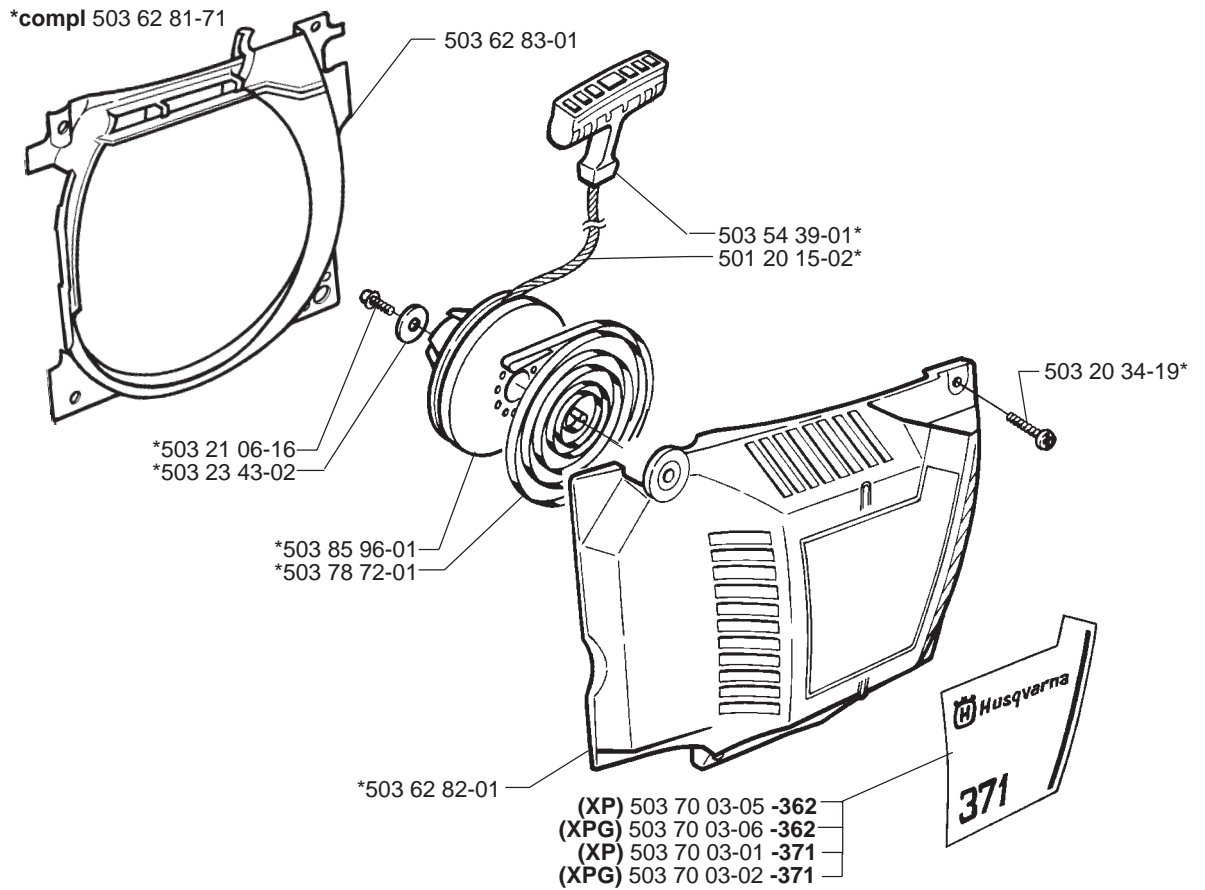


J***compl 503 71 32-73****K*****compl 503 62 67-71****L*****compl 503 62 86-71**

M

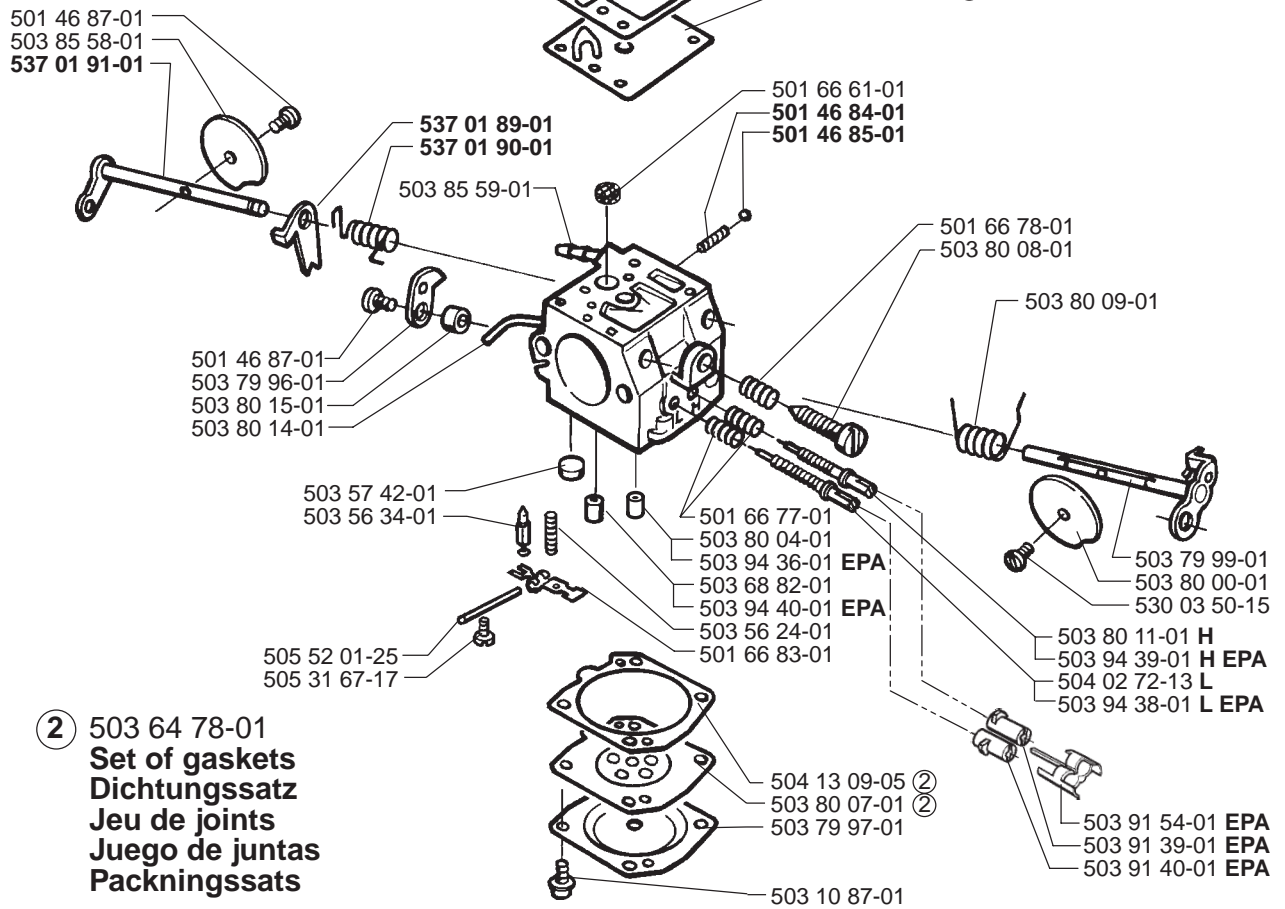


N

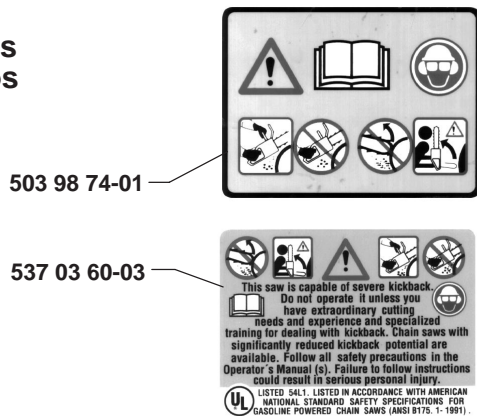


P compl 503 28 16-20
compl 503 28 18-01 EPA

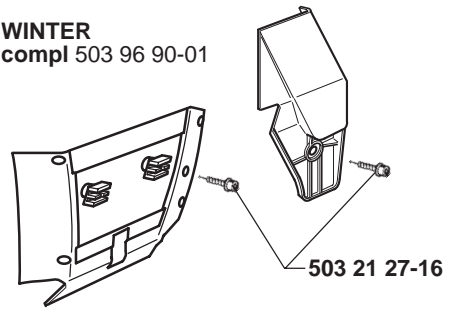
Walbro HD-6 A Walbro HD-12 A EPA



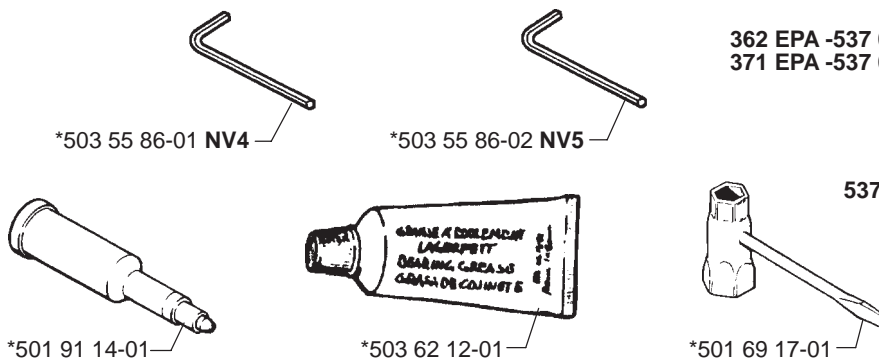
Q Accessories Zubehöre Accessories Tillbehör



WINTER
compl 503 96 90-01



*compl 503 55 85-01



362 EPA -537 03 61-21
371 EPA -537 03 61-08

IMPORTANT ENGINE INFORMATION

HUSKVARNA SWEDEN EM
THIS ENGINE CONFORMS TO U.S. EPA PH 1
EMISSION REGULATION FOR SMALL
NONROAD ENGINES. REFER TO OPERATOR'S
MANUAL FOR MAINTENANCE
SPECIFICATIONS AND ADJUSTMENTS.

537 03 44-01



MODEL 371, 371 EPA, 362, 362 EPA

PART NUMBER	SQUARE NOTE	PART NUMBER	SQUARE NOTE	PART NUMBER	SQUARE NOTE	PART NUMBER	SQUARE NOTE
501 20 15-02	N	503 43 20-01	B	503 71 76-01	J	503 89 56-02	J
501 27 08-01	H N	503 43 65-01	A	503 71 82-01	M	503 89 70-01	A
501 43 00-01	M N	503 44 32-01	J	503 71 97-01	A	503 89 76-01	M
501 45 27-02	H	503 47 05-01	H	503 71 98-01	H	503 90 99-01	D
501 45 41-01	H	503 51 15-05	M	503 72 91-76	E N	503 91 39-01	P EPA
501 45 74-02	B N	503 51 15-06	M	503 73 39-01	DE	503 91 40-01	P EPA
501 46 69-01	P	503 52 13-01	B	503 73 44-01	H	503 91 54-01	P EPA
501 46 84-01	P N	503 52 15-01	B	503 73 54-01	G	503 92 26-01	H N
501 46 85-01	P N	503 53 92-01	B N	503 73 64-01	J	503 92 27-01	A N
501 46 87-01	P	503 54 39-01	N	503 74 01-01	C	503 93 24-71	B N
501 48 54-02	M	503 55 22-01	D N	503 74 43-01	B	503 93 24-72	B N
501 51 72-01	A	503 55 66-01	J	503 74 44-01	B	503 93 26-73	B
501 53 74-01	H	503 55 85-01	Q N	503 74 93-01	H	503 93 26-74	B
501 54 41-02	B	503 55 86-01	Q	503 75 11-03	A N	503 93 28-01	H N
501 59 80-02	B	503 55 86-02	Q	503 75 18-01	H	503 93 92-71	D EPA
501 61 58-01	B	503 56 00-04	G	503 75 22-01	A	503 93 93-71	D EPA
501 66 61-01	P	503 56 24-01	P	503 75 24-01	B	503 93 95-71	B N
501 66 69-01	P 2	503 56 34-01	P	503 75 61-02	B	503 94 36-01	P EPA
501 66 77-01	P	503 57 42-01	P	503 76 29-01	A	503 94 38-01	P EPA
501 66 78-01	P	503 57 76-02	J	503 76 49-02	A N	503 94 39-01	P EPA
501 66 83-01	P	503 57 89-01	HJ	503 76 52-01	F	503 94 40-01	P EPA
501 67 35-01	M	503 60 04-01	J	503 76 53-01	F	503 96 24-03	M
501 68 68-01	H	503 62 12-01	Q	503 76 53-02	F	503 96 45-01	G
501 69 17-01	Q	503 62 49-01	B	503 76 54-02	F	503 96 52-71	D
501 80 24-03	M	503 62 61-01	M N	503 76 64-01	F	503 96 70-01	H
501 81 57-01	H	503 62 64-72	D	503 76 65-01	F	503 96 90-01	Q
501 81 57-02	H	503 62 67-71	K	503 76 92-01	A	503 98 74-01	Q N
501 81 96-02	HJ	503 62 67-72	M	503 77 43-01	B	504 02 72-13	P
501 81 99-01	M	503 62 68-74	H N	503 77 52-01	A	504 13 09-05	P 2
501 87 31-01	J	503 62 72-01	H 1	503 77 58-01	D	504 30 00-26	B
501 87 53-03	A	503 62 73-01	H	503 77 59-01	D 1	505 27 57-19	H
501 91 14-01	Q	503 62 75-01	G	503 77 91-01	E	505 30 36-61	B
502 20 65-04	G	503 62 77-01	H	503 78 09-01	H	505 31 67-17	P
502 20 83-02	G	503 62 78-02	C	503 78 72-01	N	505 52 01-25	P
502 25 47-01	P	503 62 78-04	C	503 79 14-01	H	530 03 50-15	P
503 10 87-01	P	503 62 80-01	C	503 79 27-01	A	537 00 87-01	A N
503 20 02-10	F	503 62 81-71	N	503 79 61-01	A	537 01 59-01	M N
503 20 02-12	AH	503 62 82-01	N	503 79 96-01	P	537 01 89-01	P N
503 20 02-16	FH	503 62 83-01	N	503 79 97-01	P	537 01 90-01	P N
503 20 02-20	M N	503 62 84-01	H	503 79 98-01	P	537 01 91-01	P N
503 20 08-32	H N	503 62 86-71	L	503 79 99-01	P	537 03 60-03	Q N
503 20 25-12	A	503 63 75-02	KL	503 80 00-01	P	537 03 44-01	Q N
503 20 25-16	M N	503 63 75-03	K N	503 80 04-01	P	537 03 61-08	Q N
503 20 34-19	N	503 63 76-01	J	503 80 07-01	P	537 03 61-21	Q N
503 20 34-25	C	503 63 76-02	J	503 80 08-01	P	720 12 40-20	J
503 21 05-22	HKLM	503 63 79-74	H N	503 80 09-01	P	720 12 72-20	J
503 21 06-16	KLMN	503 64 02-01	M N	503 80 11-01	P	724 12 87-55	F N
503 21 27-16	Q N	503 64 47-01	B	503 80 14-01	P	725 53 05-55	G
503 21 28-10	AHM	503 64 72-01	DH 1 COMPL	503 80 15-01	P	725 53 29-56	B N
503 22 00-01	A	503 64 78-01	P 2 COMPL	503 80 24-01	H	725 53 31-55	H
503 22 10-11	M	503 64 79-01	H	503 81 13-01	B	725 53 33-55	D
503 22 65-03	G	503 66 53-01	G	503 81 30-01	B	725 53 70-55	F
503 23 00-04	B	503 66 74-01	G EPA	503 81 45-01	G	729 42 21-01	M
503 23 00-42	M	503 67 86-01	H	503 81 45-02	G	731 23 14-01	G
503 23 00-59	B	503 68 41-01	G	503 81 45-03	G	737 43 12-00	G N
503 23 01-01	M	503 68 45-02	M	503 81 77-01	C	738 22 02-25	E
503 23 43-02	N	503 68 82-01	P	503 81 78-01	G		
503 23 51-08	D	503 69 12-71	D	503 81 80-01	G		
503 26 03-01	H	503 69 14-71	D	503 81 80-02	G		
503 26 30-17	HJ	503 70 03-01	N	503 82 98-01	J		
503 26 30-19	E	503 70 03-02	N	503 83 81-02	A N		
503 27 21-01	B	503 70 03-05	N	503 84 01-01	B		
503 28 16-20	GP N	503 70 03-06	N	503 84 12-01	H		
503 28 18-01	GP N EPA	503 70 04-01	A	503 84 61-01	H		
503 28 90-17	D	503 70 11-01	G	503 85 58-01	P		
503 28 90-29	D	503 70 59-01	M	503 85 59-01	P		
503 28 90-36	D EPA	503 70 99-01	A	503 85 73-01	H		
503 40 06-06	G	503 71 27-01	G	503 85 95-01	M		
503 42 67-01	B	503 71 32-73	J	503 85 96-01	N		
503 43 18-01	G	503 71 53-01	D	503 89 56-01	J		

1 = 503 64 72-01
2 = 503 64 78-01

Set of gaskets
Dichtungssats
Jeu de joints
Juego de juntas
Packningssats

N = New part
Neues teil
Nouvelle piece
Nueva pieza
Ny detalj

EPA = Environmental Protection Agency
(for USA only)