

# 357XP, 359 357XP EPA I 359 EPA I

**Spare parts**

**Ersatzteile**

**Pièces détachées**

**Reserve onderdelen**

**Repuestos**

**Reservdelar**

Replaces

Ersetzt

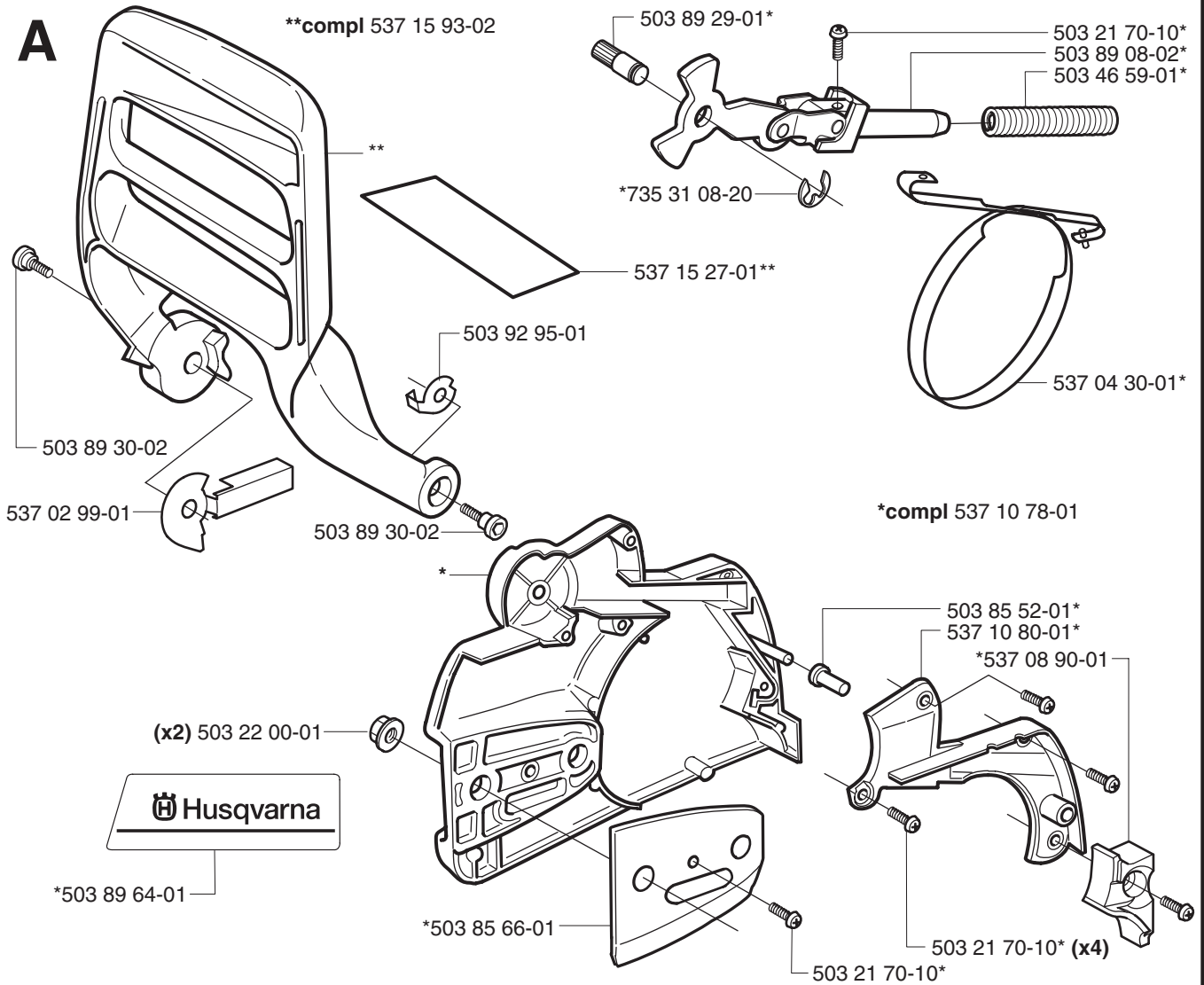
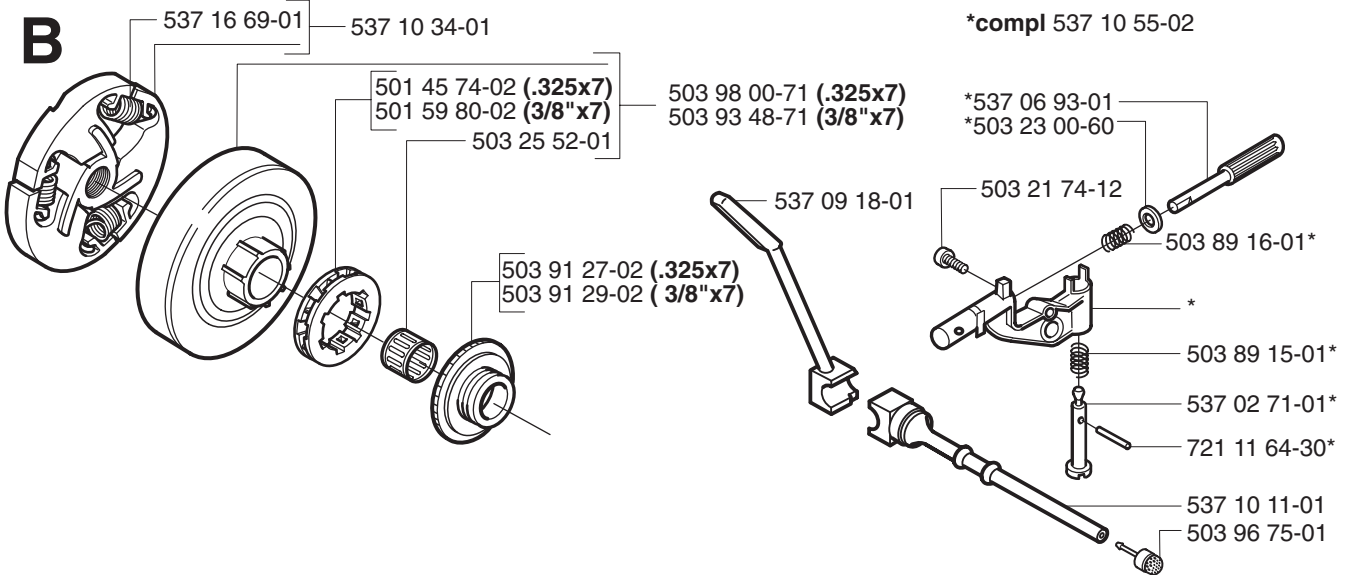
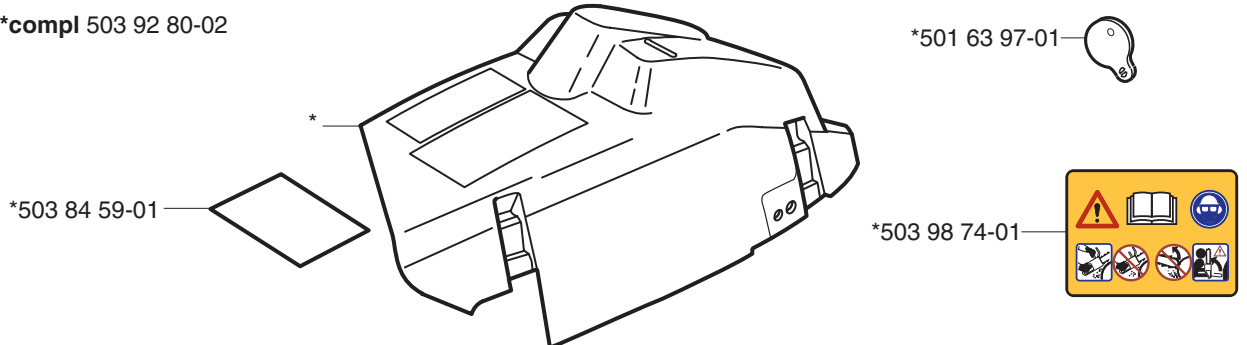
Remplace

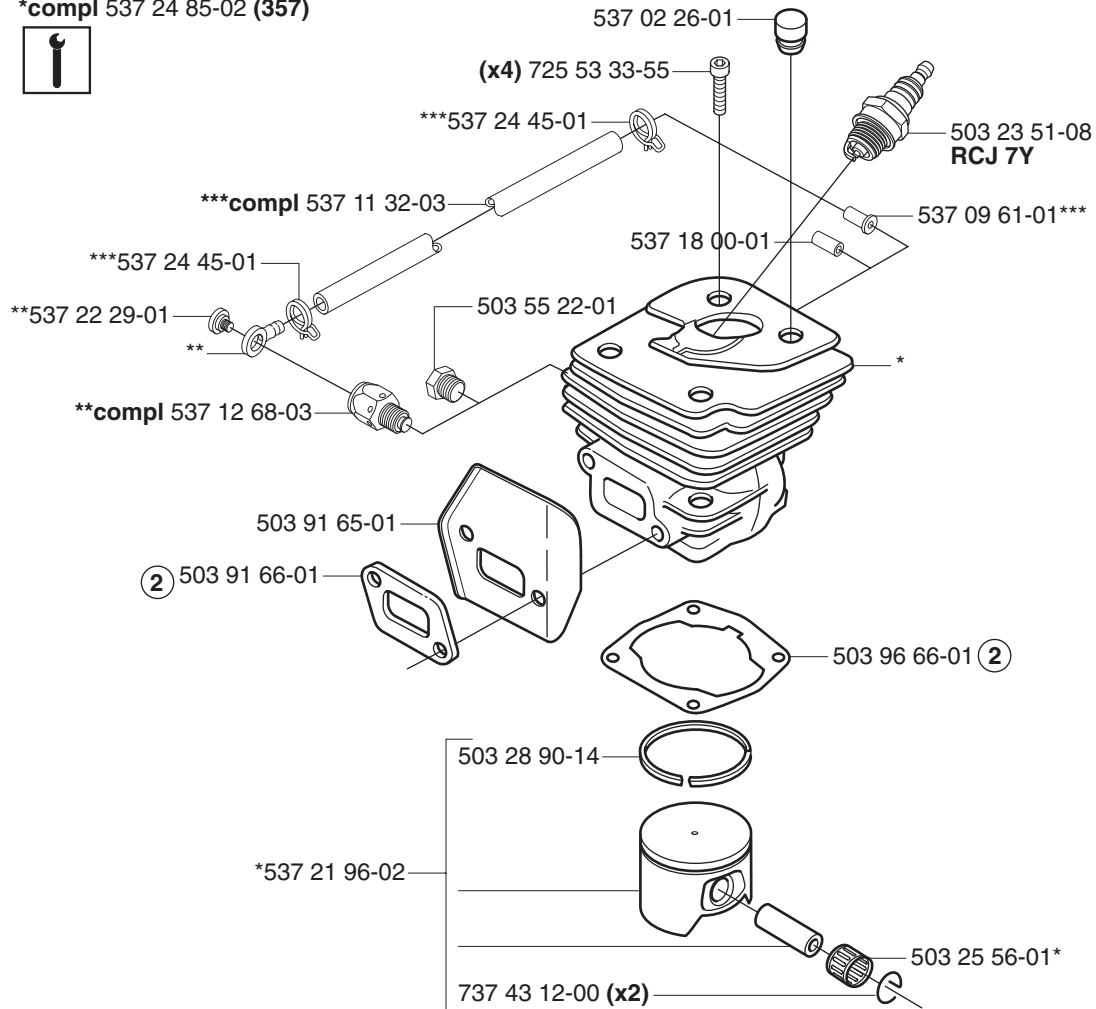
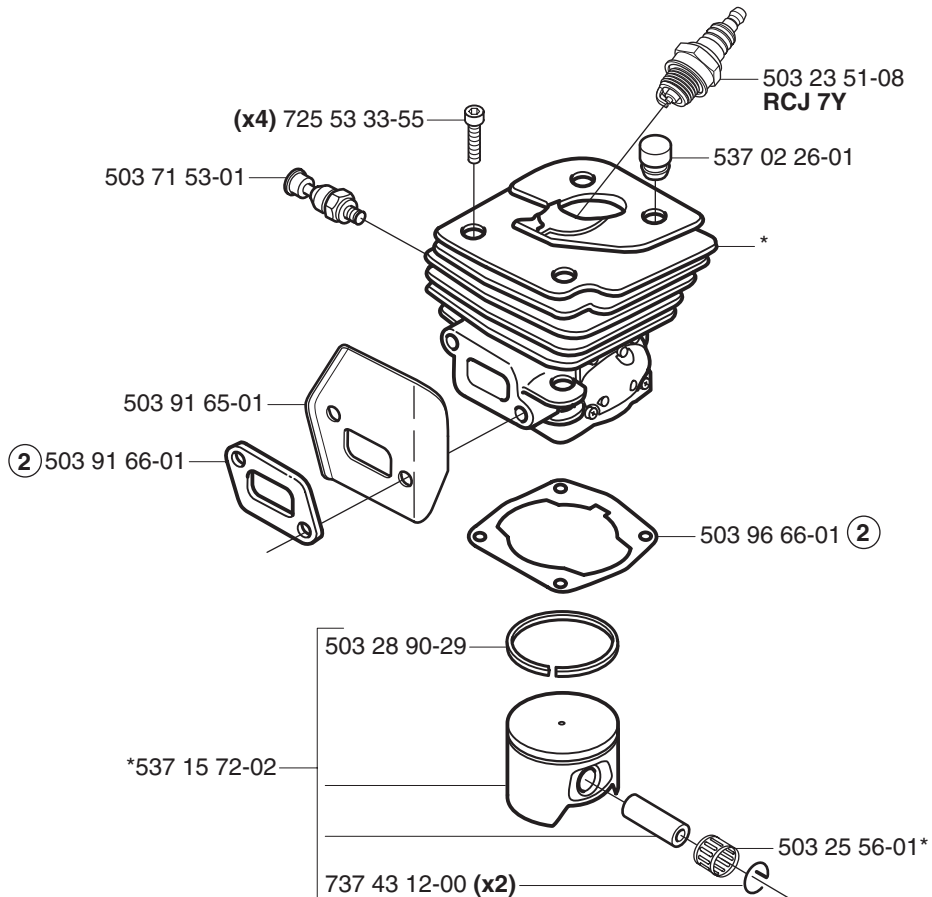
Vervangt

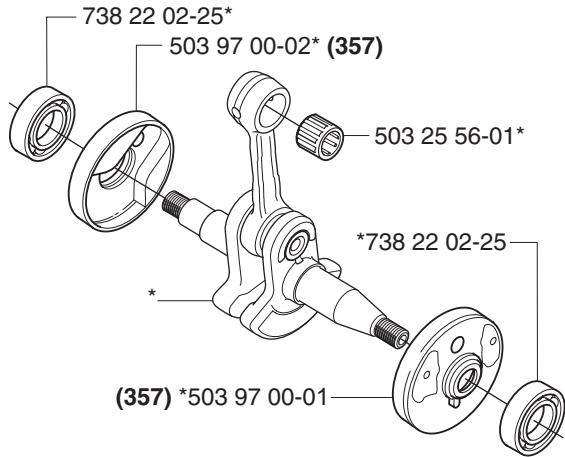
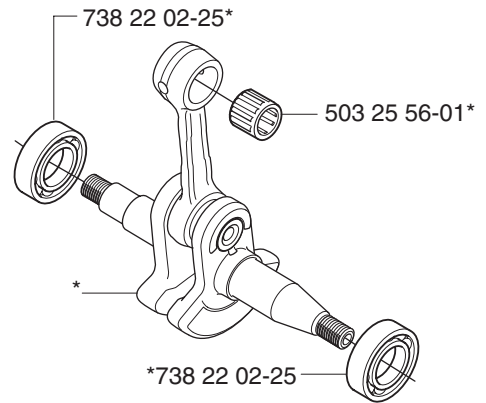
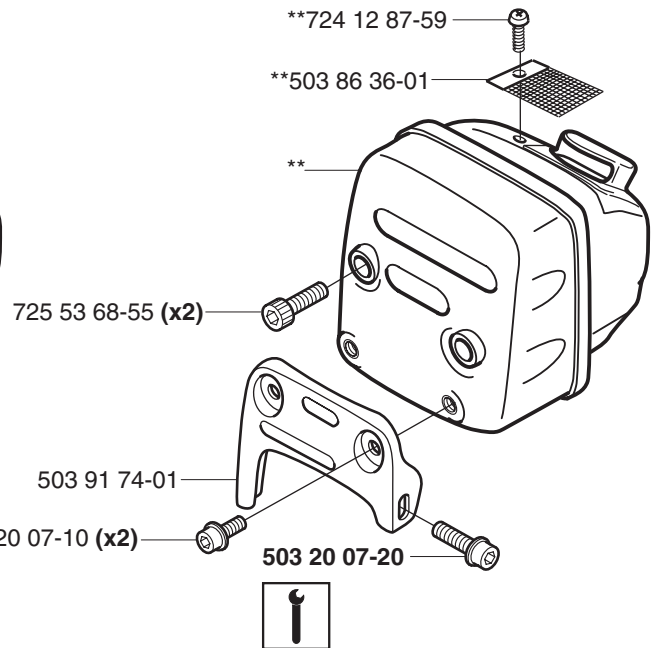
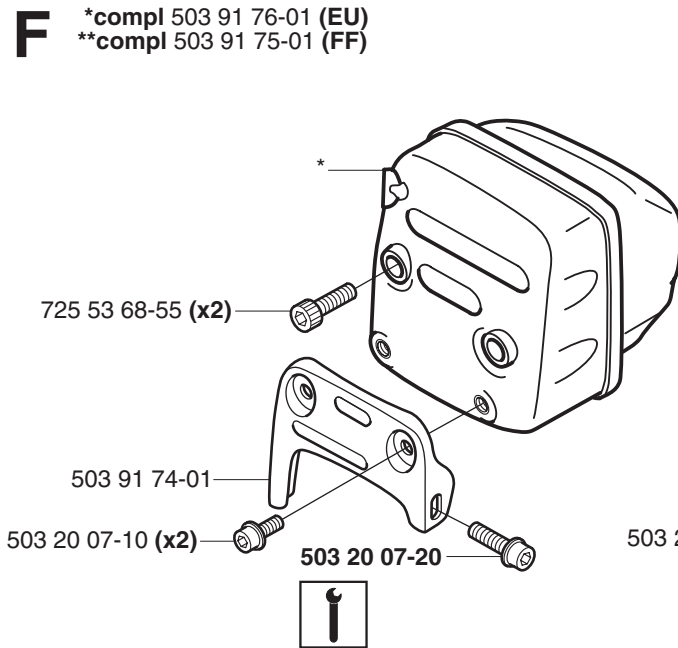
Reemplaza

Ersätter

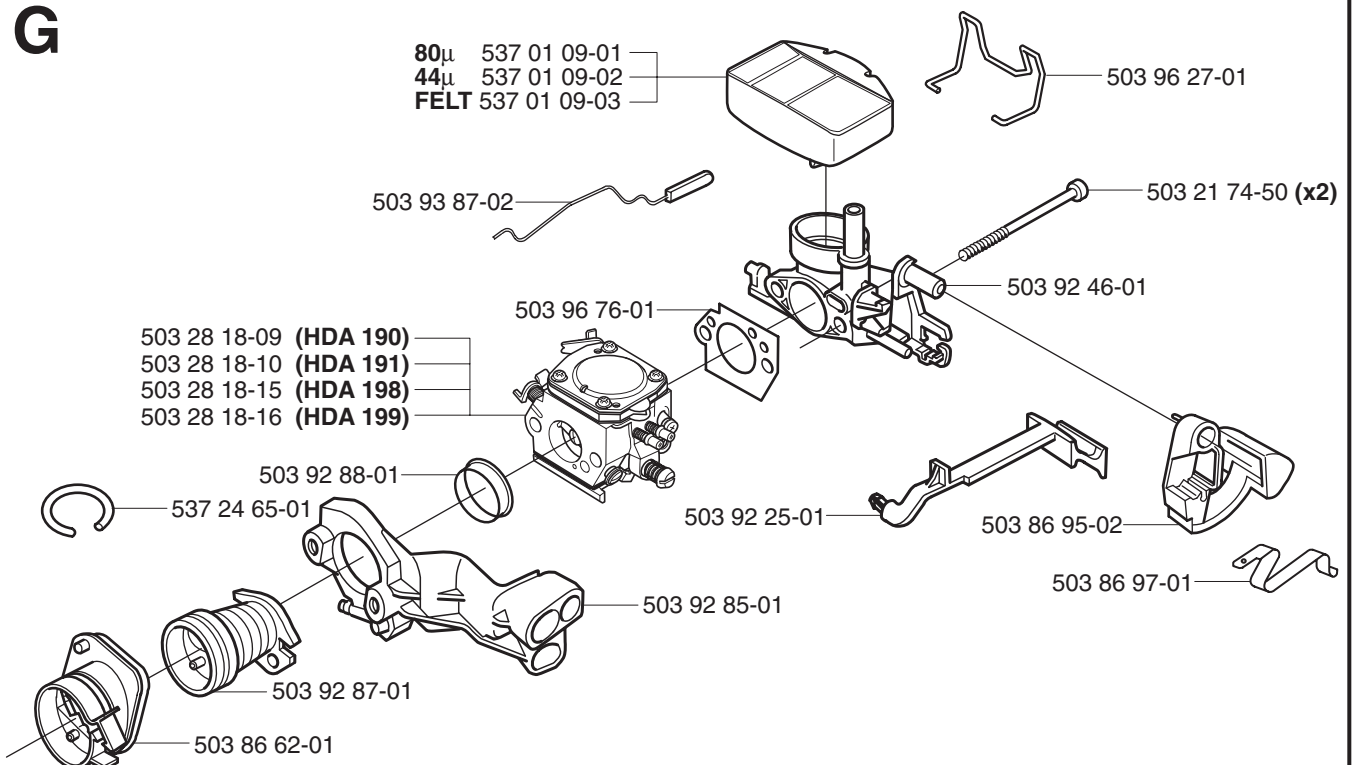
106 26 06-62

**A****\*\*compl 537 15 93-02****\*compl 537 10 78-01****B****\*compl 537 10 55-02****C****\*compl 503 92 80-02**

**D****\*compl 537 24 85-02 (357)****D****\*compl 537 15 73-02 (359)**

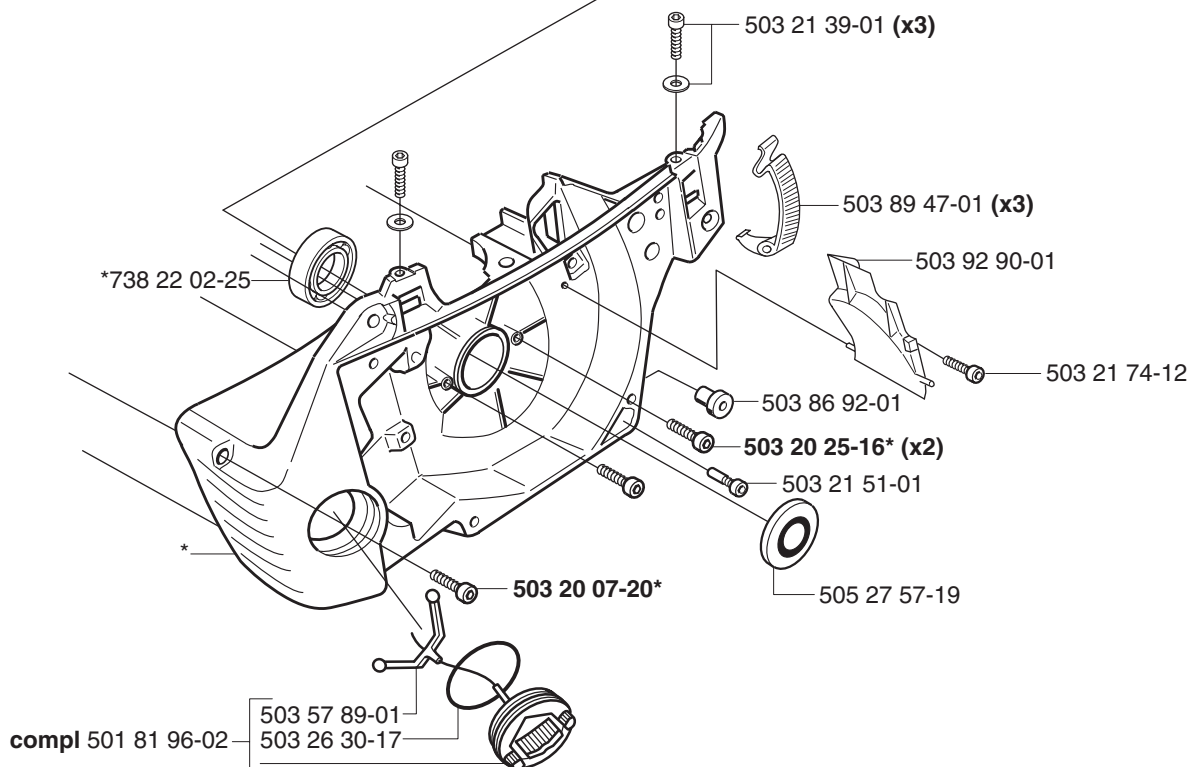
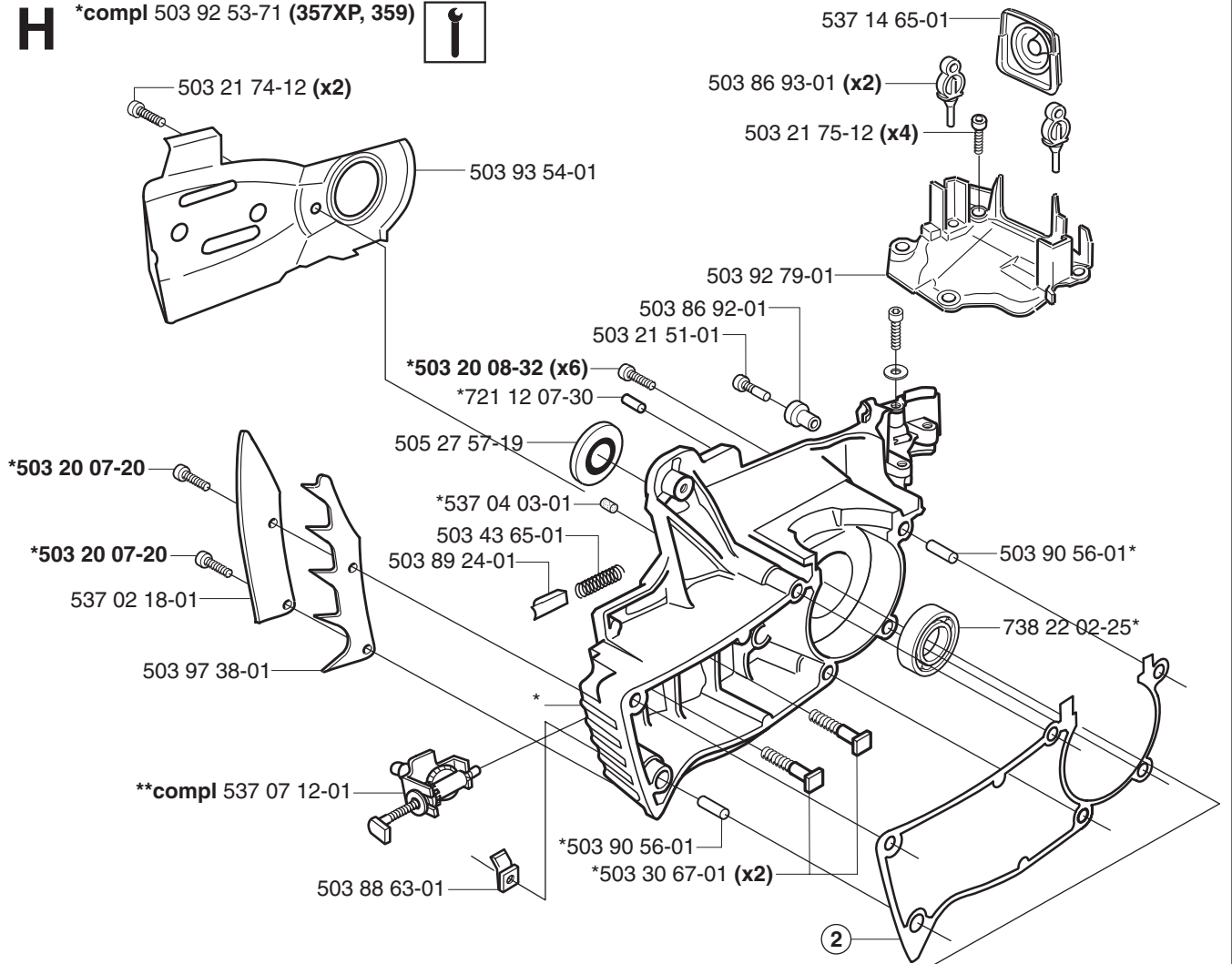
**E****\*compl 537 21 92-01 (357)****E****\*compl 537 15 68-01 (359)****F****\*compl 503 91 76-01 (EU)**  
**\*\*compl 503 91 75-01 (FF)****G**

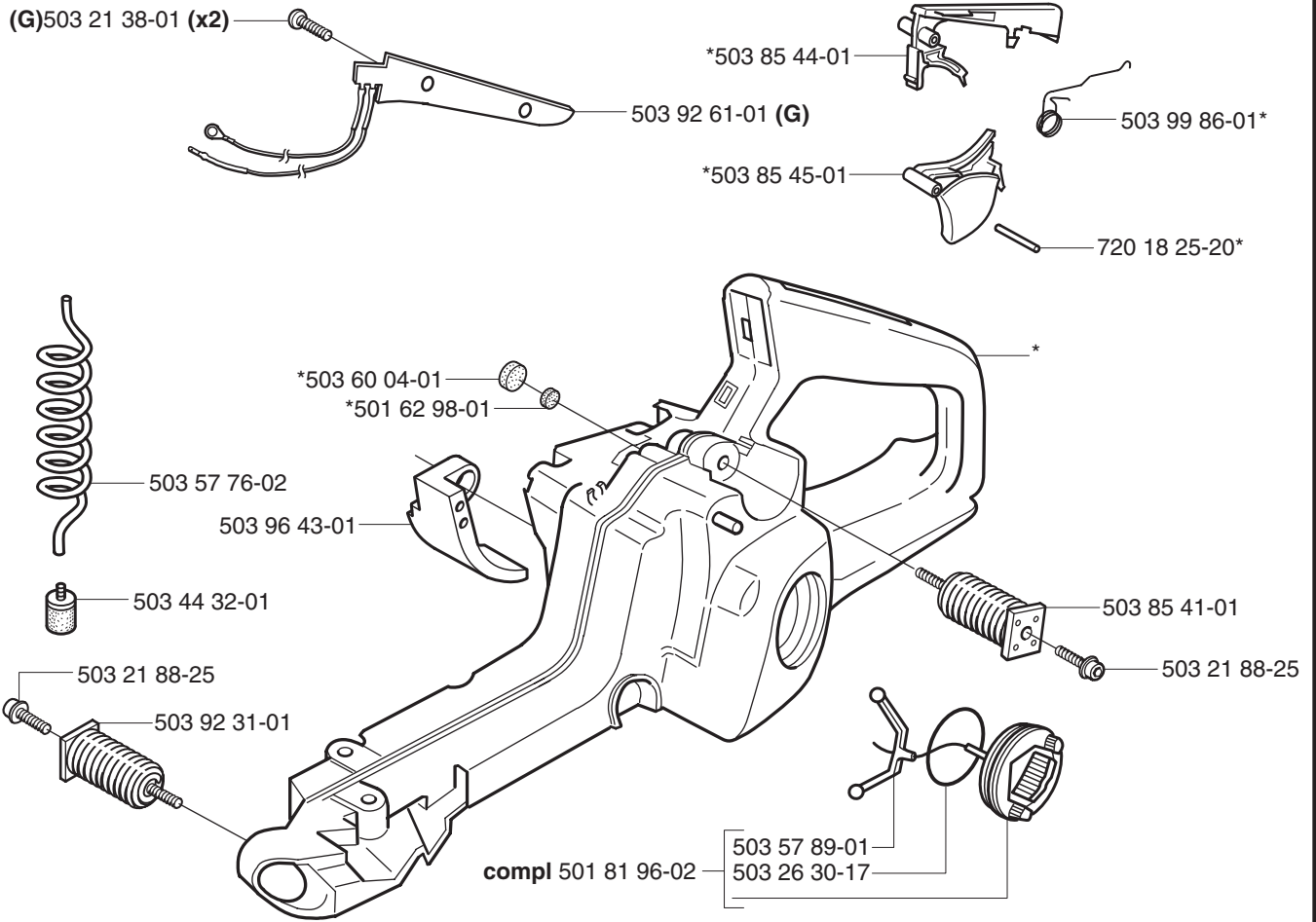
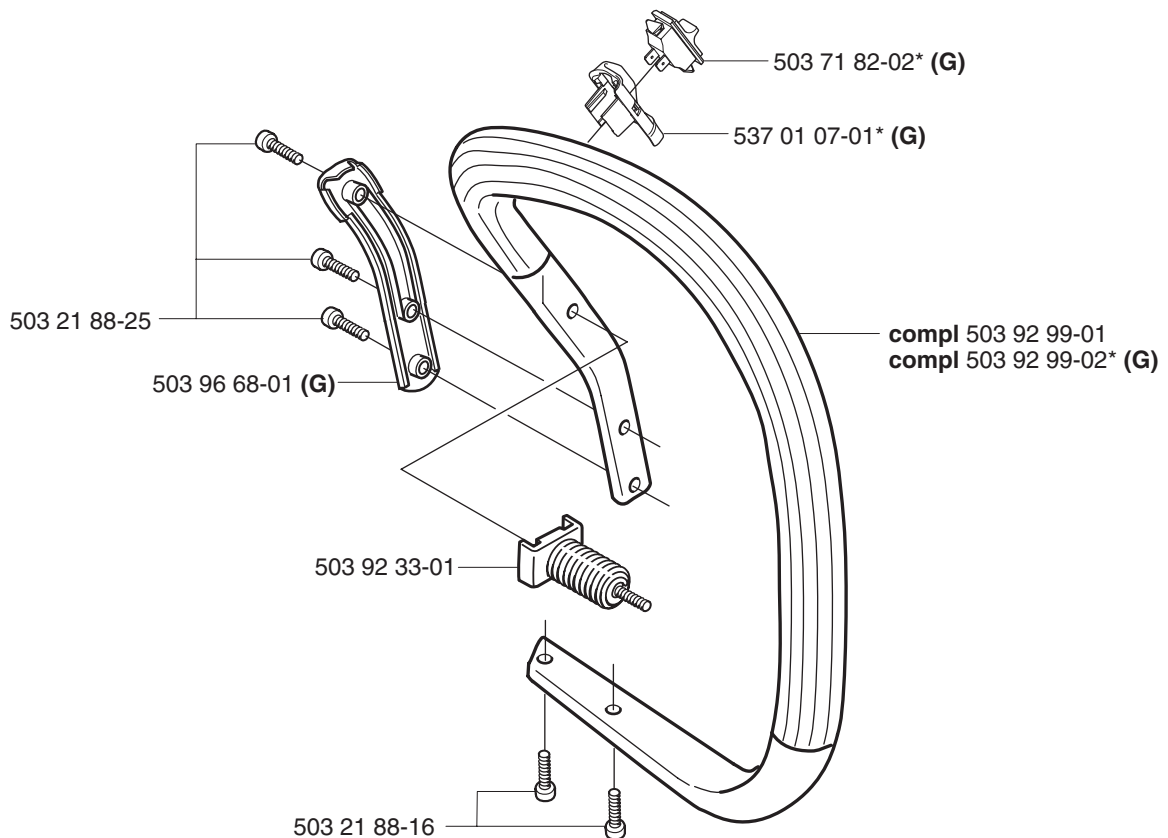
80µ 537 01 09-01  
 44µ 537 01 09-02  
 FELT 537 01 09-03

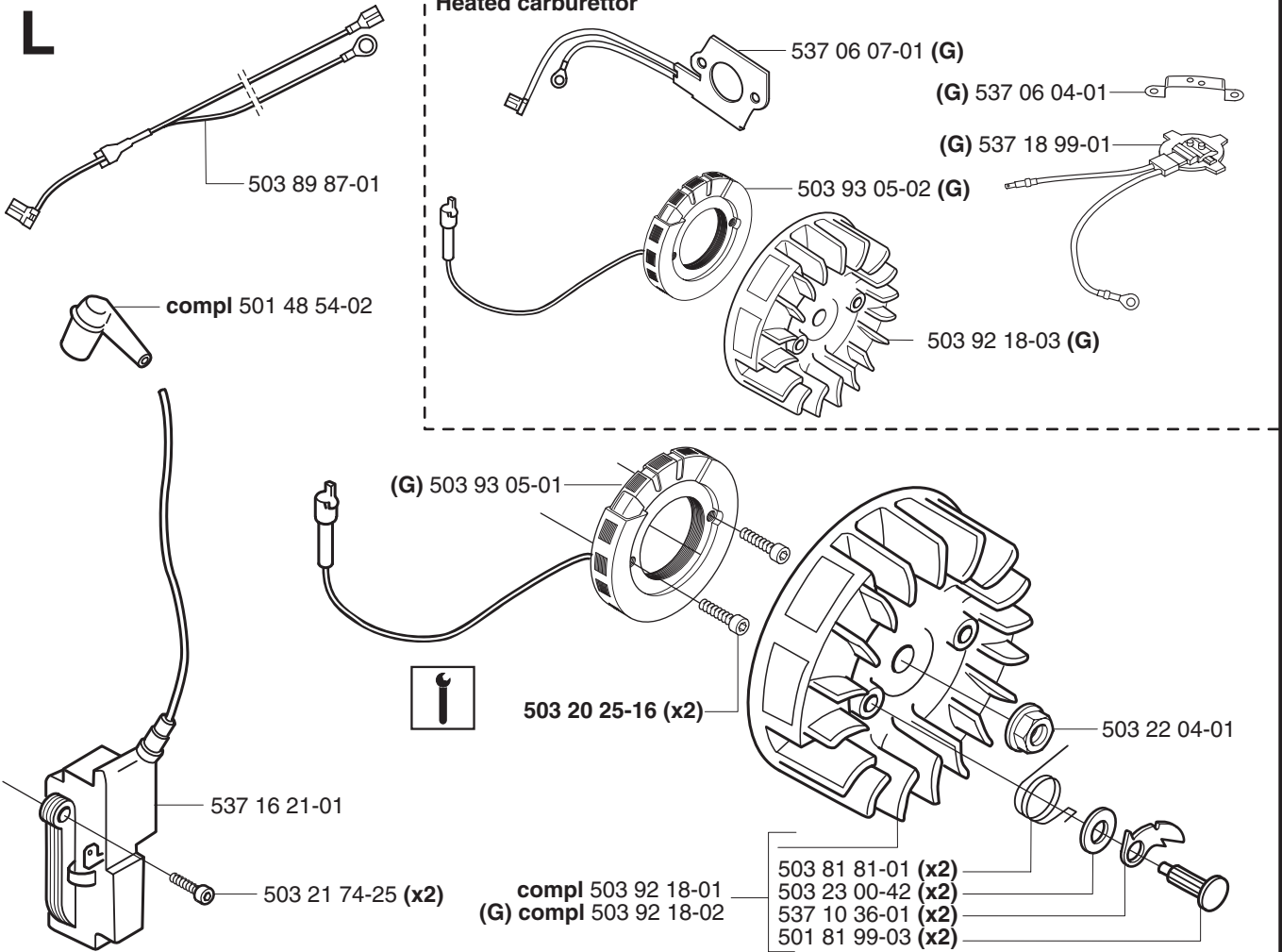


H

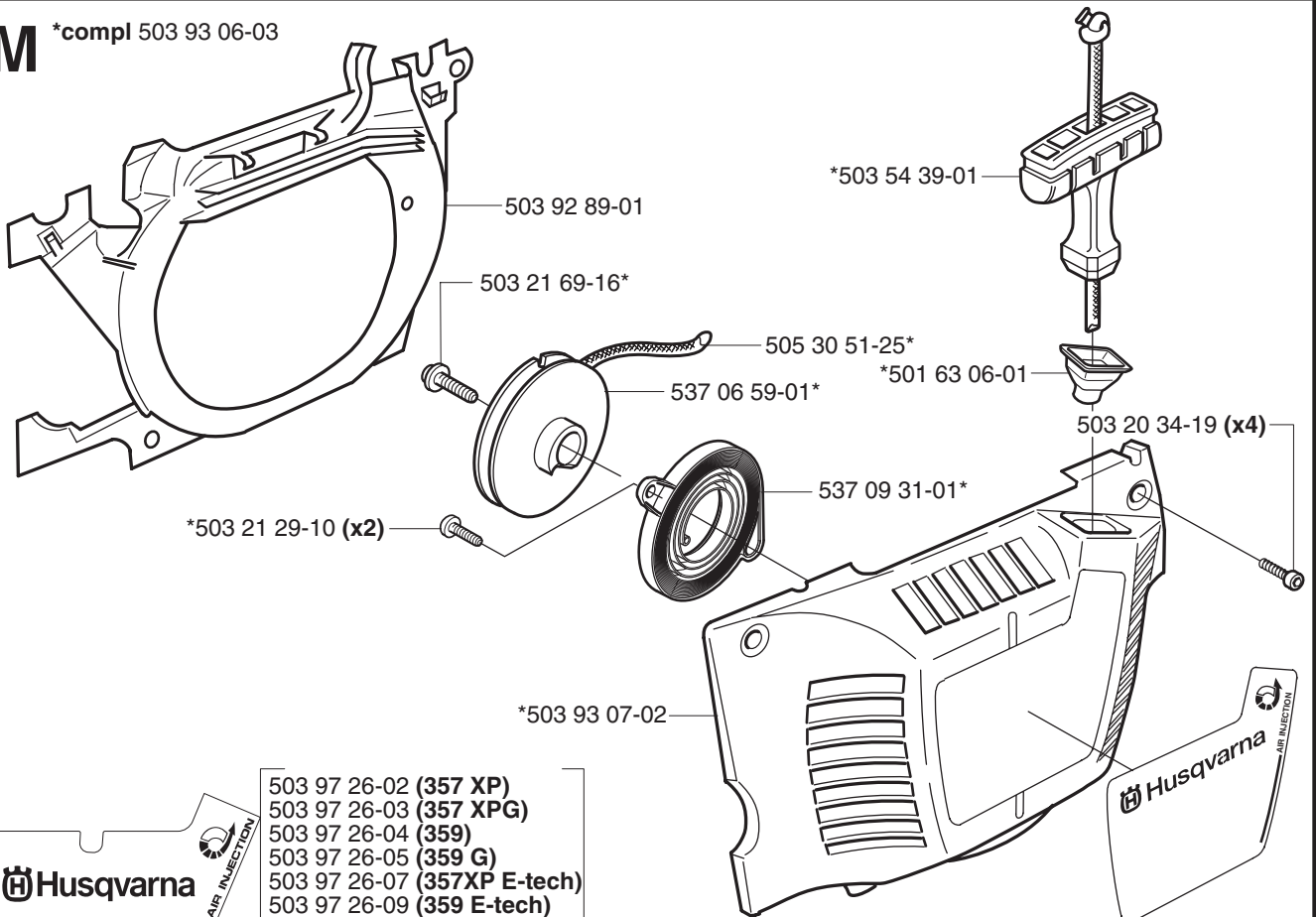
\*compl 503 92 53-71 (357XP, 359)



**J****\*compl 503 92 30-71****K**

**L****Heated carburettor****M**

\*compl 503 93 06-03



- 503 97 26-02 (357 XP)
- 503 97 26-03 (357 XPG)
- 503 97 26-04 (359)
- 503 97 26-05 (359 G)
- 503 97 26-07 (357XP E-tech)
- 503 97 26-09 (359 E-tech)
- 503 97 26-10 (359G E-tech)
- 503 97 26-11 (357XPG carburettor heat)
- 503 97 26-12 (357XPG E-tech carburettor heat)
- 503 97 26-13 (359G carburettor heat)

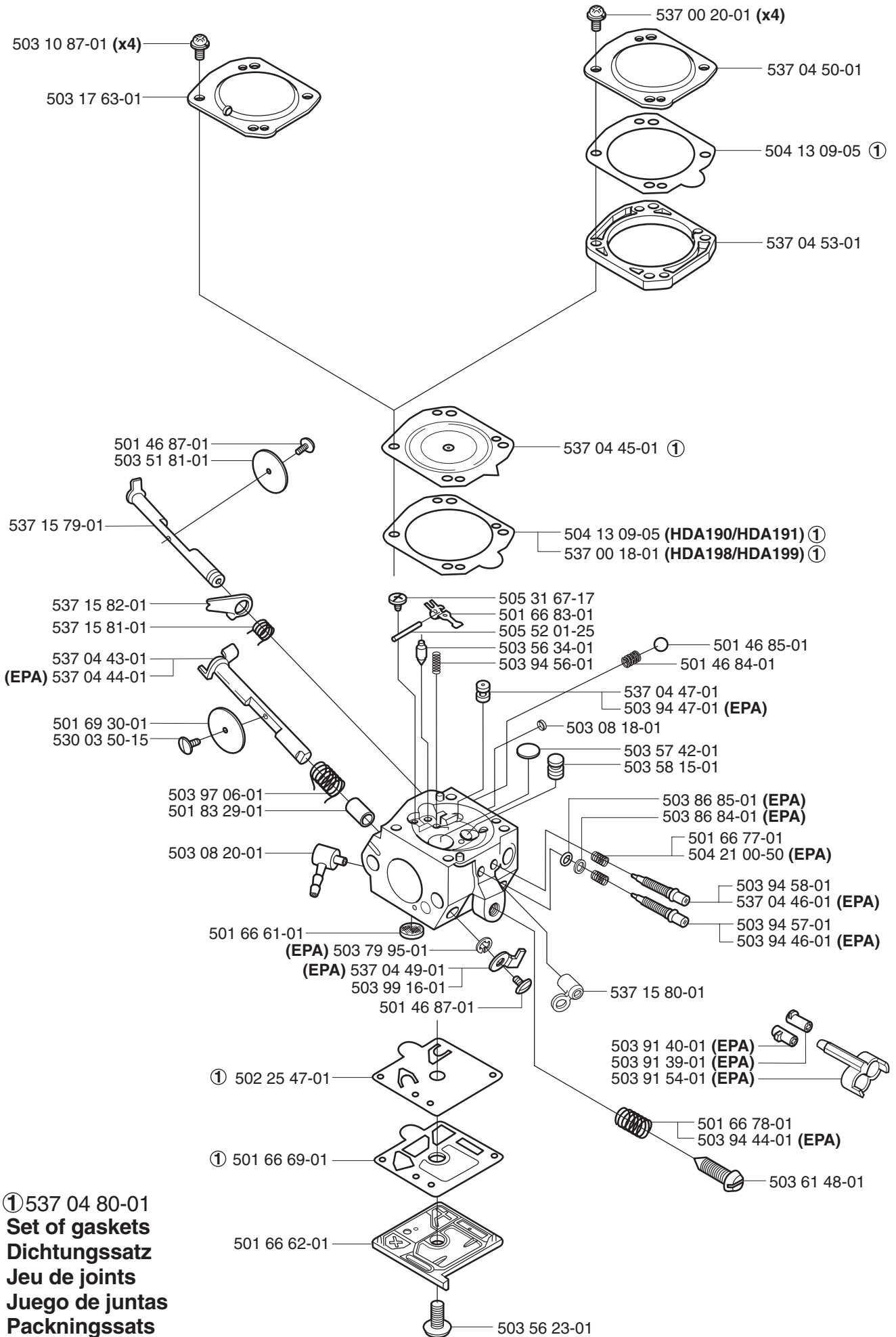
**Husqvarna**


PAT. PEND.

**Husqvarna**


**N** compl 503 28 18-09 Walbro HDA 190 Heated  
 compl 503 28 18-10 Walbro HDA 191 Heated (EPA)

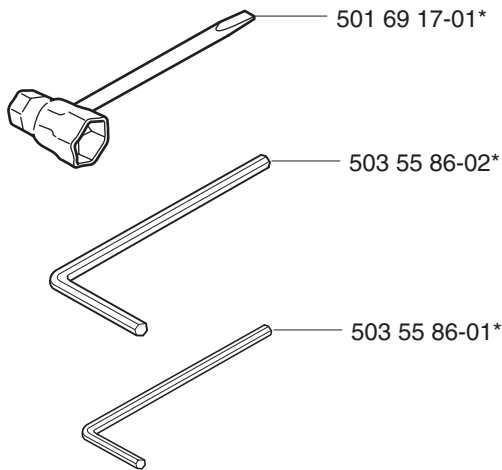
compl 503 28 18-15 Walbro HDA 198  
 compl 503 28 18-16 Walbro HDA 199 (EPA)



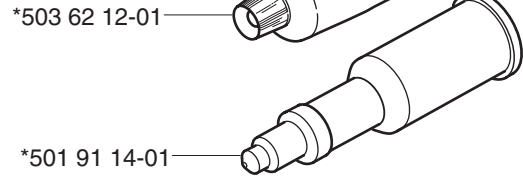
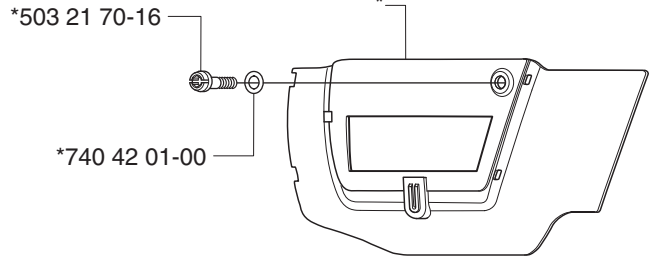
① 537 04 80-01  
**Set of gaskets**  
**Dichtungssatz**  
**Jeu de joints**  
**Juego de juntas**  
**Packningssats**




**P** Accessoires  
 Zubehöre  
 Accessories  
 Accesorios  
 Tillbehör  
 \*compl 503 55 85-01



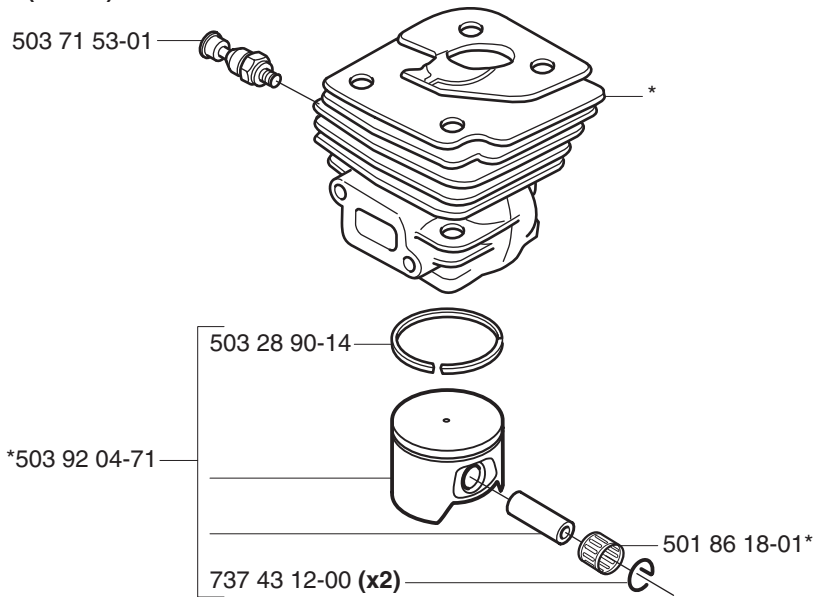
**\*compl 503 97 88-01 WINTER KIT**



**Q** 

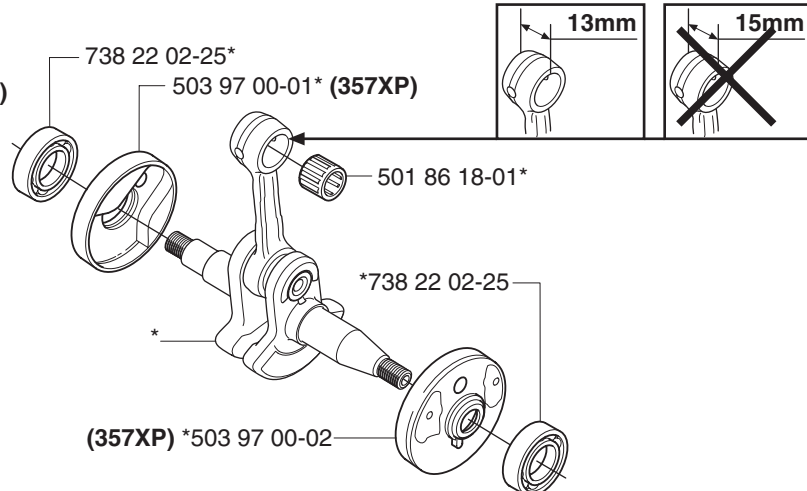
**Up to 020700001 (357XP)**

**\*compl 503 91 98-71 (357XP)**





**\*compl 503 93 31-71 (357XP)**

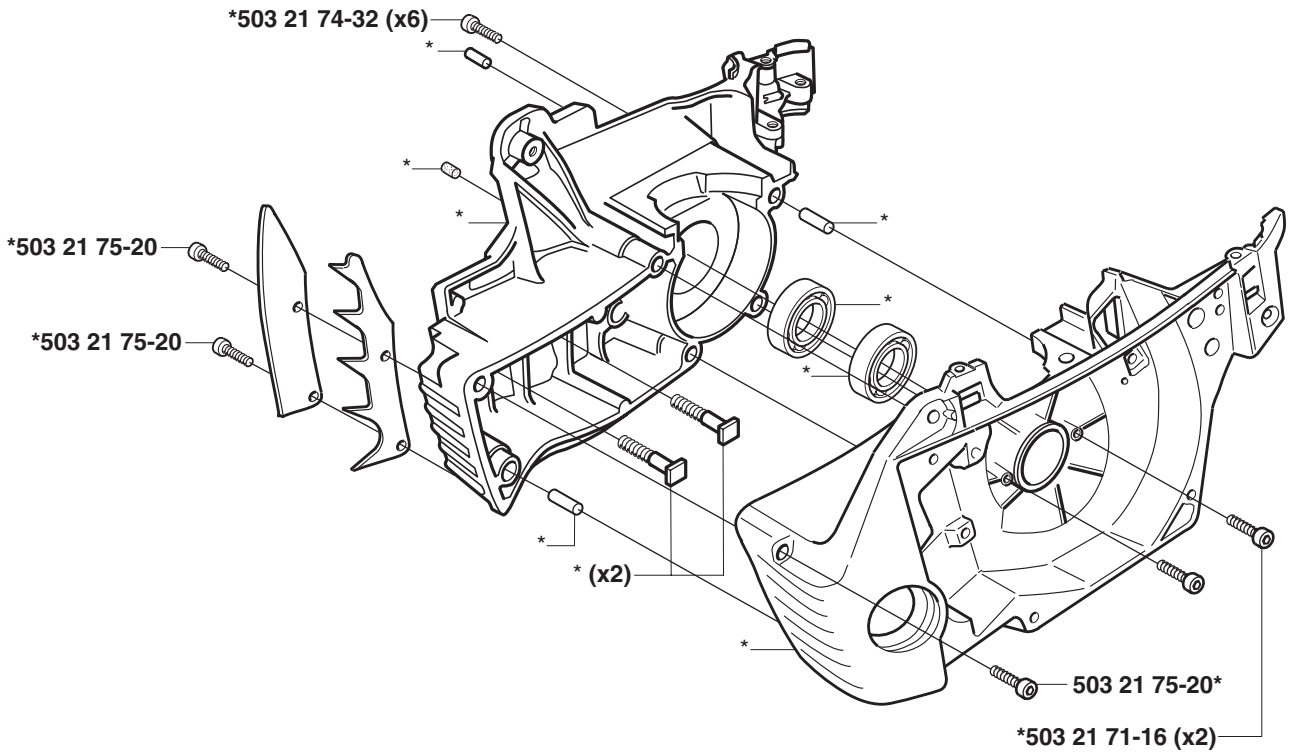


Q



Up to 030500001 (357XP)  
Up to 030500048 (359)

\*compl 503 92 53-71 (357XP, 359)



PART NUMBER	SQUARE NOTE	PART NUMBER	SQUARE NOTE	PART NUMBER	SQUARE NOTE	PART NUMBER	SQUARE NOTE
501 45 74-02	B	503 55 86-02	P	503 92 99-02	K	537 06 07-01	L
501 46 84-01	N	503 56 23-01	N	503 93 05-01	L	537 06 59-01	M
501 46 85-01	N	503 56 34-01	N	503 93 05-02	L	537 06 93-01	B
501 46 87-01	N	503 57 42-01	N	503 93 06-03	M	537 07 12-01	H
501 48 54-02	L	503 57 76-02	J	503 93 07-02	M	537 08 90-01	A
501 59 80-02	B	503 57 89-01	H,J	503 93 31-71	Q	537 09 18-01	B
501 62 98-01	J	503 58 15-01	N	503 93 48-71	B	537 09 31-01	M
501 63 06-01	M	503 60 04-01	J	503 93 54-01	H	537 09 61-01	D
501 63 97-01	C	503 61 48-01	N	503 93 87-02	G	537 10 11-01	B
501 66 61-01	N	503 62 12-01	P	503 94 44-01	N	537 10 34-01	B
501 66 62-01	N	503 71 53-01	D,Q	503 94 46-01	N	537 10 36-01	L
501 66 69-01	N	503 71 82-02	K	503 94 47-01	N	537 10 55-02	B
501 66 77-01	N	503 79 95-01	N	503 94 56-01	N	537 10 78-01	A
501 66 78-01	N	503 81 81-01	L	503 94 57-01	N	537 10 80-01	A
501 66 83-01	N	503 84 59-01	C	503 94 58-01	N	537 11 32-03	D
501 69 17-01	P	503 85 41-01	J	503 96 27-01	G	537 12 68-03	D
501 69 30-01	N	503 85 44-01	J	503 96 43-01	J	537 14 65-01	H
501 81 96-02	H,J	503 85 45-01	J	503 96 66-01	D	537 15 27-01	A
501 81 99-03	L	503 85 52-01	A	503 96 68-01	K	537 15 68-01	E
501 83 29-01	N	503 85 66-01	A	503 96 75-01	B	537 15 72-02	D
501 86 18-01	Q	503 86 36-01	F	503 96 76-01	G	537 15 73-02	D
501 91 14-01	P	503 86 62-01	G	503 97 00-01	E,Q	537 15 79-01	N
502 25 47-01	N	503 86 84-01	N	503 97 00-02	E,Q	537 15 80-01	N
503 08 18-01	N	503 86 85-01	N	503 97 06-01	N	537 15 81-01	N
503 08 20-01	N	503 86 92-01	H	503 97 26-02	M	537 15 82-01	N
503 10 87-01	N	503 86 93-01	H	503 97 26-03	M	537 15 93-02	A
503 17 63-01	N	503 86 95-02	G	503 97 26-04	M	537 16 21-01	L
503 20 07-10	F	503 86 97-01	G	503 97 26-05	M	537 16 69-01	B
503 20 07-20	F,H	503 88 63-01	H	503 97 26-07	M	537 18 00-01	D
503 20 08-32	H	503 89 08-02	A	503 97 26-09	M	537 18 99-01	L
503 20 25-16	H,L	503 89 15-01	B	503 97 26-10	M	537 21 92-01	E
503 20 34-19	M	503 89 16-01	B	503 97 26-11	M	537 21 96-02	D
503 21 29-10	M	503 89 24-01	H	503 97 26-12	M	537 22 29-01	D
503 21 38-01	J	503 89 29-01	A	503 97 26-13	M	537 24 45-01	D
503 21 39-01	H	503 89 30-02	A	503 97 38-01	H	537 24 65-01	G
503 21 51-01	H	503 89 47-01	H	503 97 85-01		537 24 85-02	D
503 21 69-16	M	503 89 64-01	A	503 97 88-01	P	720 18 25-20	J
503 21 70-10	A	503 89 87-01	L	503 98 00-71	B	721 11 64-30	B
503 21 70-16	P	503 90 56-01	H	503 98 74-01	C	721 12 07-30	H
503 21 71-16	Q	503 91 27-02	B	503 99 16-01	N	724 12 87-59	F
503 21 74-12	B,H	503 91 29-02	B	503 99 86-01	J	725 53 33-55	D
503 21 74-25	L	503 91 39-01	N	504 13 09-05	N	725 53 68-55	F
503 21 74-32	Q	503 91 40-01	N	504 21 00-50	N	735 31 08-20	A
503 21 74-50	G	503 91 54-01	N	505 27 57-19	H	737 43 12-00	D,Q
503 21 75-12	H	503 91 65-01	D	505 30 51-25	M	738 22 02-25	E,H,Q
503 21 75-20	Q	503 91 66-01	D	505 31 67-17	N	740 42 01-00	P
503 21 88-16	K	503 91 74-01	F	505 52 01-25	N		
503 21 88-25	J,K	503 91 75-01	F	530 03 50-15	N		
503 22 00-01	A	503 91 76-01	F	537 00 18-01	N		
503 22 04-01	L	503 91 98-71	Q	537 00 20-01	N		
503 23 00-42	L	503 92 04-71	Q	537 01 07-01	K		
503 23 00-60	B	503 92 18-01	L	537 01 09-01	G		
503 23 51-08	D	503 92 18-02	L	537 01 09-02	G		
503 25 52-01	B	503 92 18-03	L	537 01 09-03	G		
503 25 56-01	D,E	503 92 25-01	G	537 02 18-01	H		
503 26 30-17	H,J	503 92 30-71	J	537 02 26-01	D		
503 28 18-09	G,N	503 92 31-01	J	537 02 71-01	B		
503 28 18-10	G,N	503 92 33-01	K	537 02 99-01	A		
503 28 18-15	G,N	503 92 46-01	G	537 04 03-01	H		
503 28 18-16	G,N	503 92 53-71	H,Q	537 04 30-01	A		
503 28 90-14	D,Q	503 92 61-01	J	537 04 43-01	N		
503 28 90-29	D	503 92 79-01	H	537 04 44-01	N		
503 43 65-01	H	503 92 80-02	C	537 04 45-01	N		
503 44 32-01	J	503 92 85-01	G	537 04 46-01	N		
503 46 59-01	A	503 92 87-01	G	537 04 47-01	N		
503 51 81-01	N	503 92 88-01	G	537 04 49-01	N		
503 54 39-01	M	503 92 89-01	M	537 04 50-01	N		
503 55 22-01	D	503 92 90-01	H	537 04 53-01	N		
503 55 85-01	P	503 92 95-01	A	537 04 80-01	N		
503 55 86-01	P	503 92 99-01	K	537 06 04-01	L		

1 = 537 04 80-01  
2 = 503 97 85-01

Set of gaskets, Dichtungssatz,  
Jeu de joints, Juego de juntas,  
Packningssatz

N = New part, Neues teil,  
Nouvelle piece, Nueva pieza  
Ny detalj

EPA = Environmental Protection Agency  
(for USA only)