

# 340, 345, 350 340 EPA, 345 EPA, 350 EPA

**Spare parts**

Replaces

**Ersatzteile**

Ersetzt

**Pièces détachées**

Remplace

**Reserve onderdelen**

Vervangt

**Repuestos**

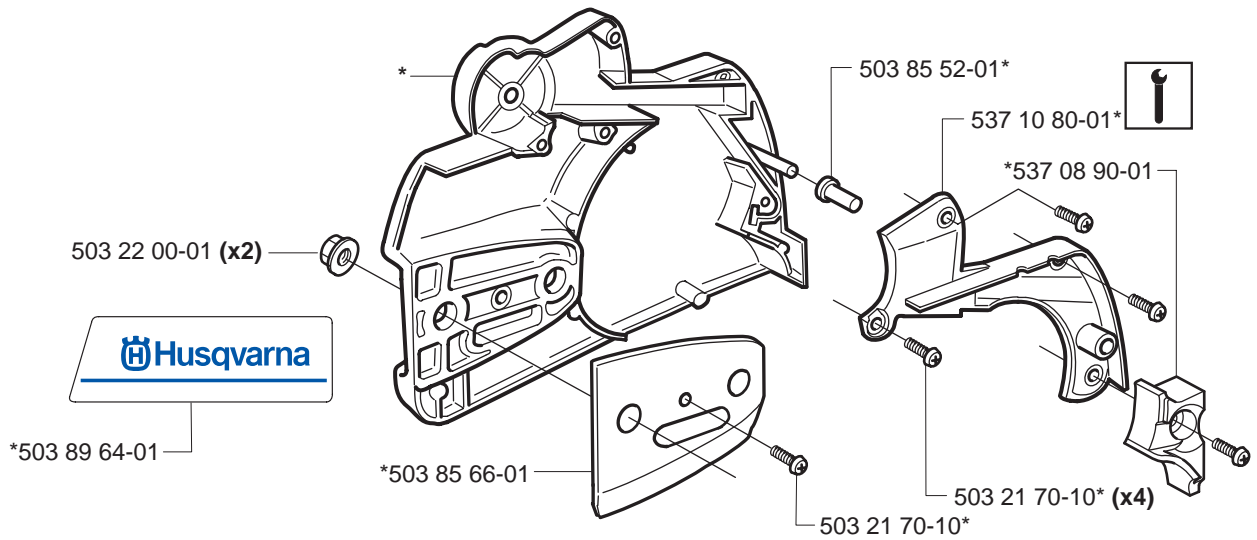
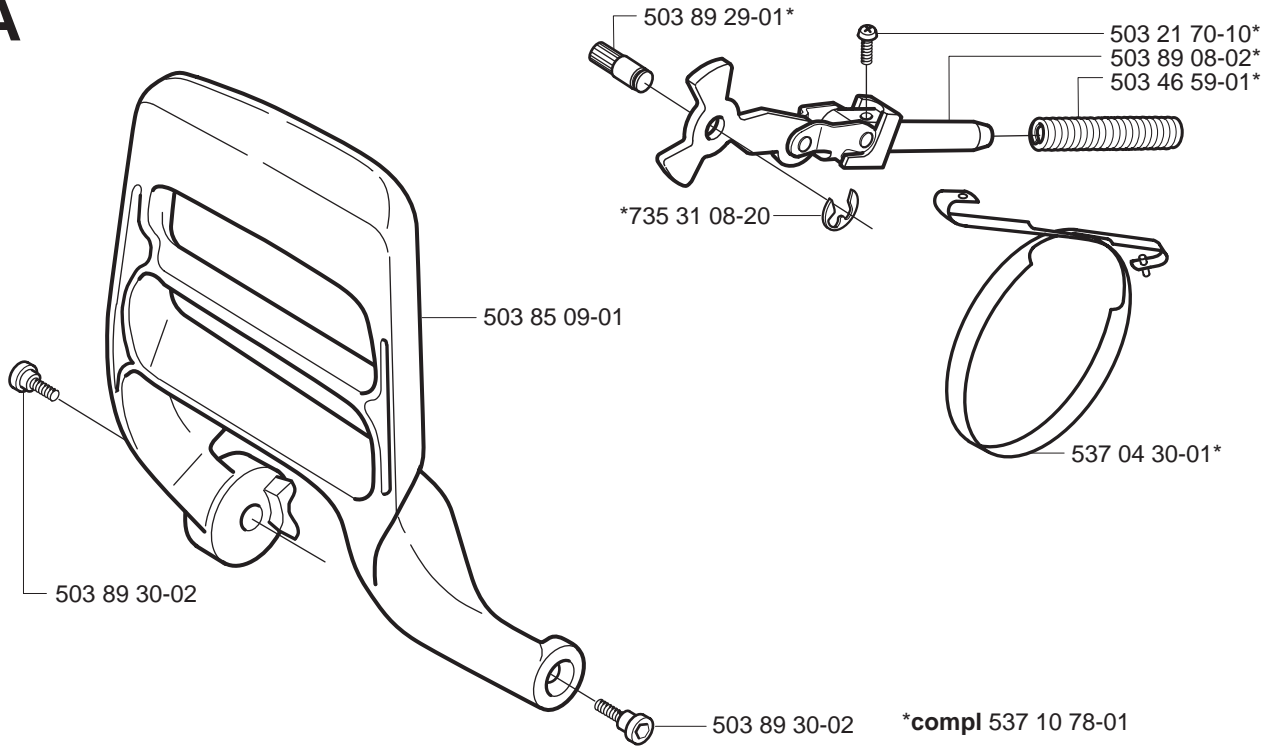
Reemplaza

**Reservdelar**

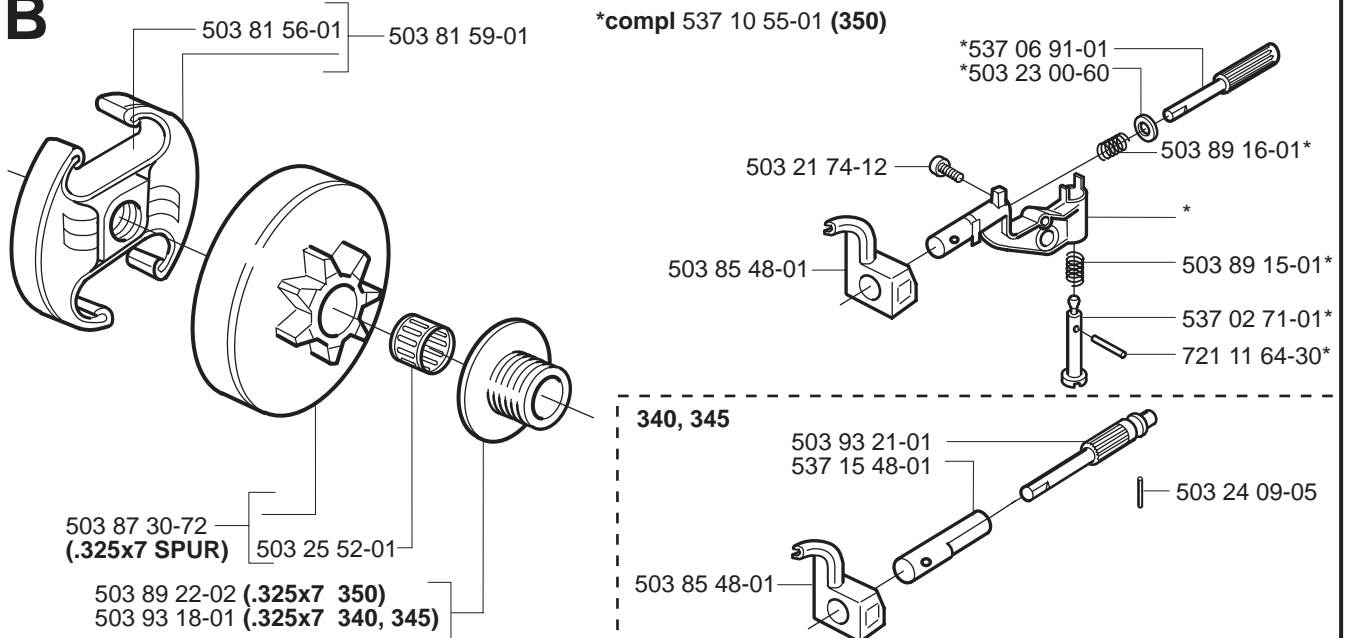
Ersätter

106 25 18-62, 106 24 56-62

# A



# B

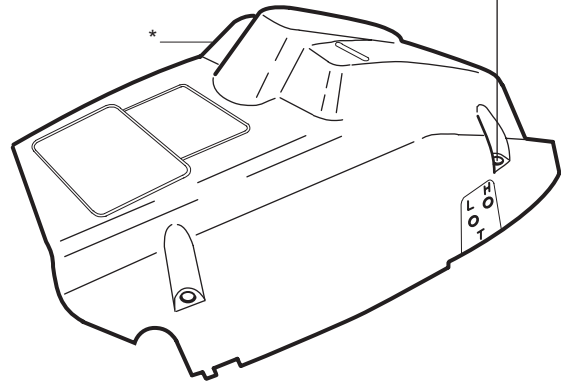


**C** \*compl 503 91 05-01

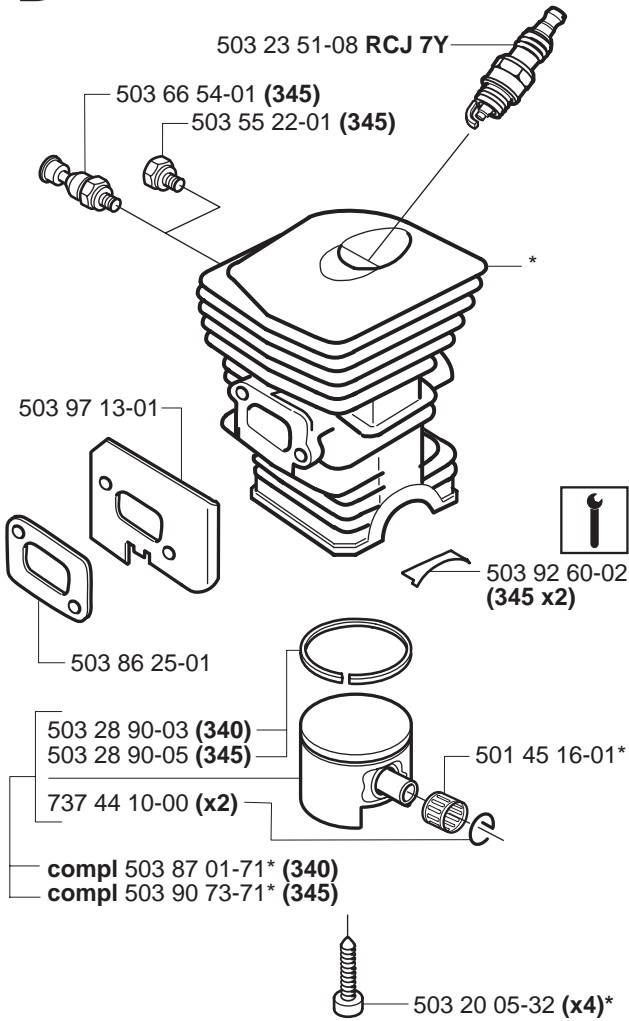
\*503 98 74-01



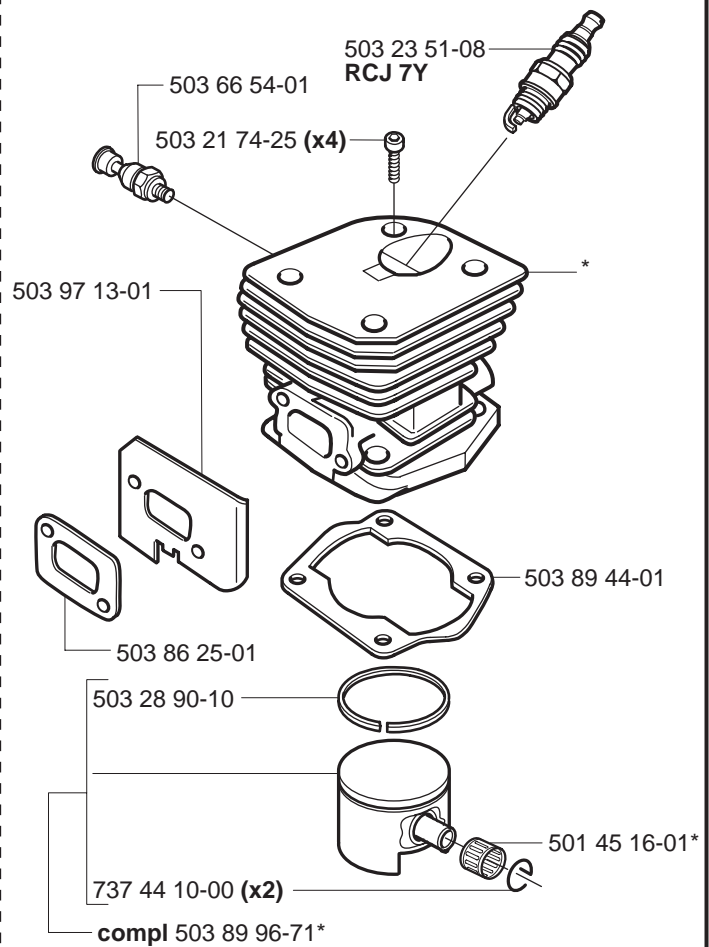
\*503 20 34-25 (x3)



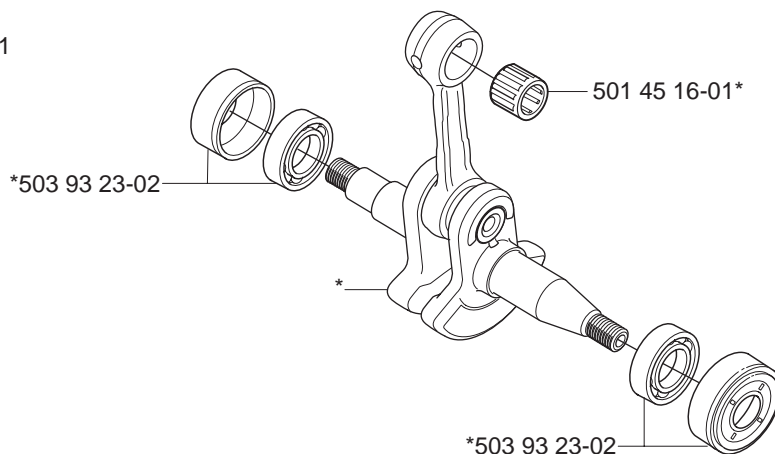
**D** \*compl 503 87 00-73 (340)  
\*compl 503 87 02-74 (345)



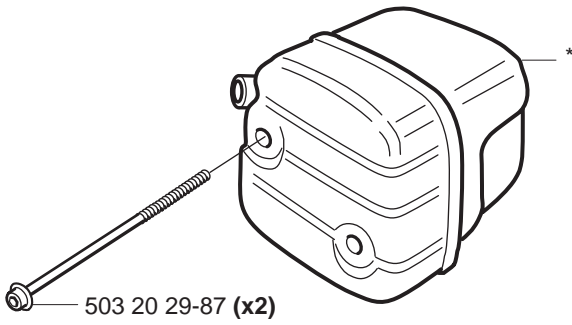
\*compl 503 86 99-71 (350)



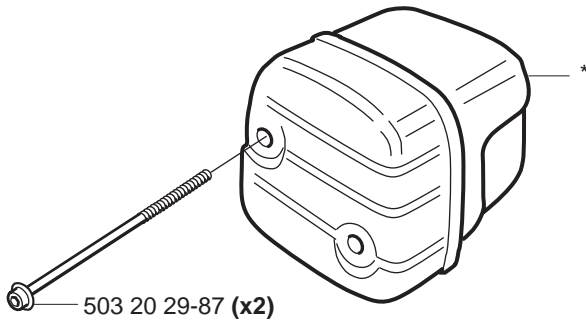
**E** \*compl 503 85 80-71



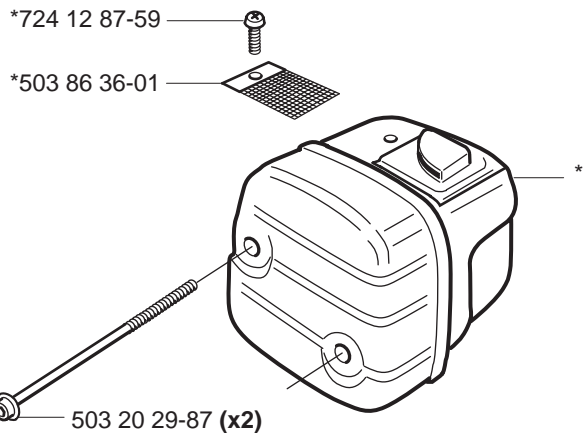
**F** \*compl 503 86 27-02 (EU) 350



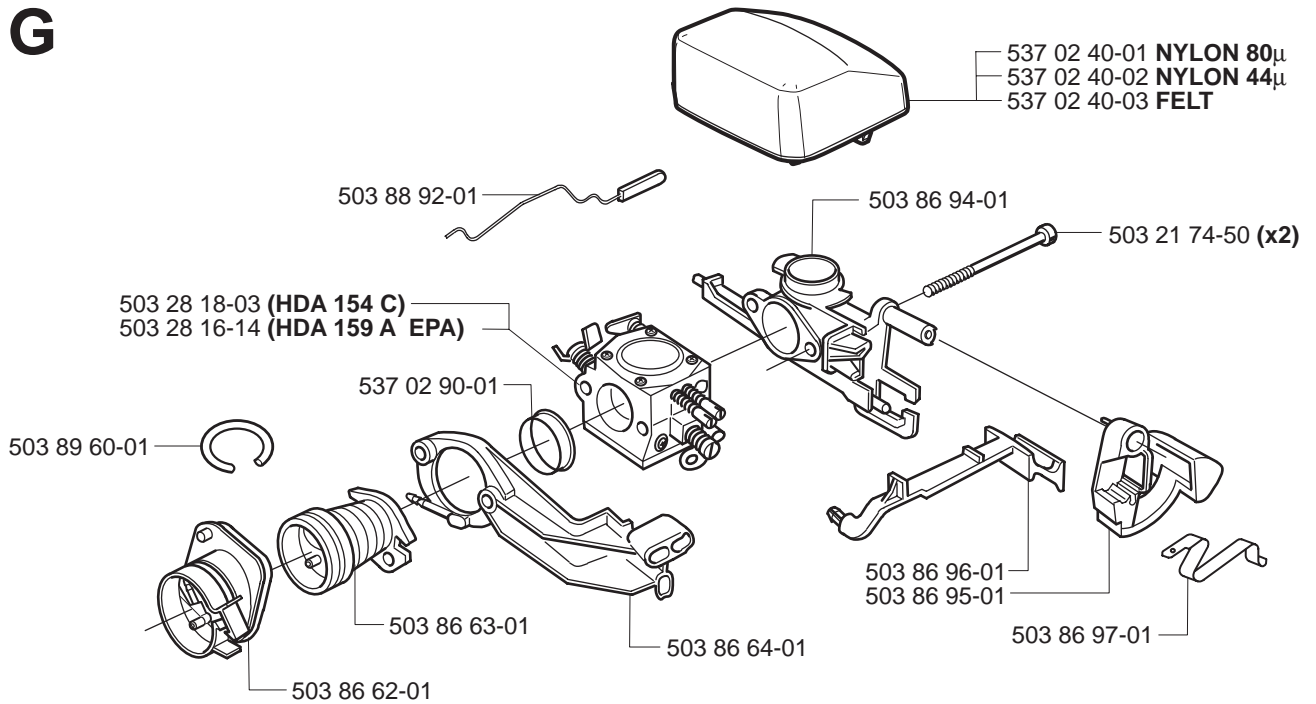
\*compl 503 87 96-01 (FG) 340, 345

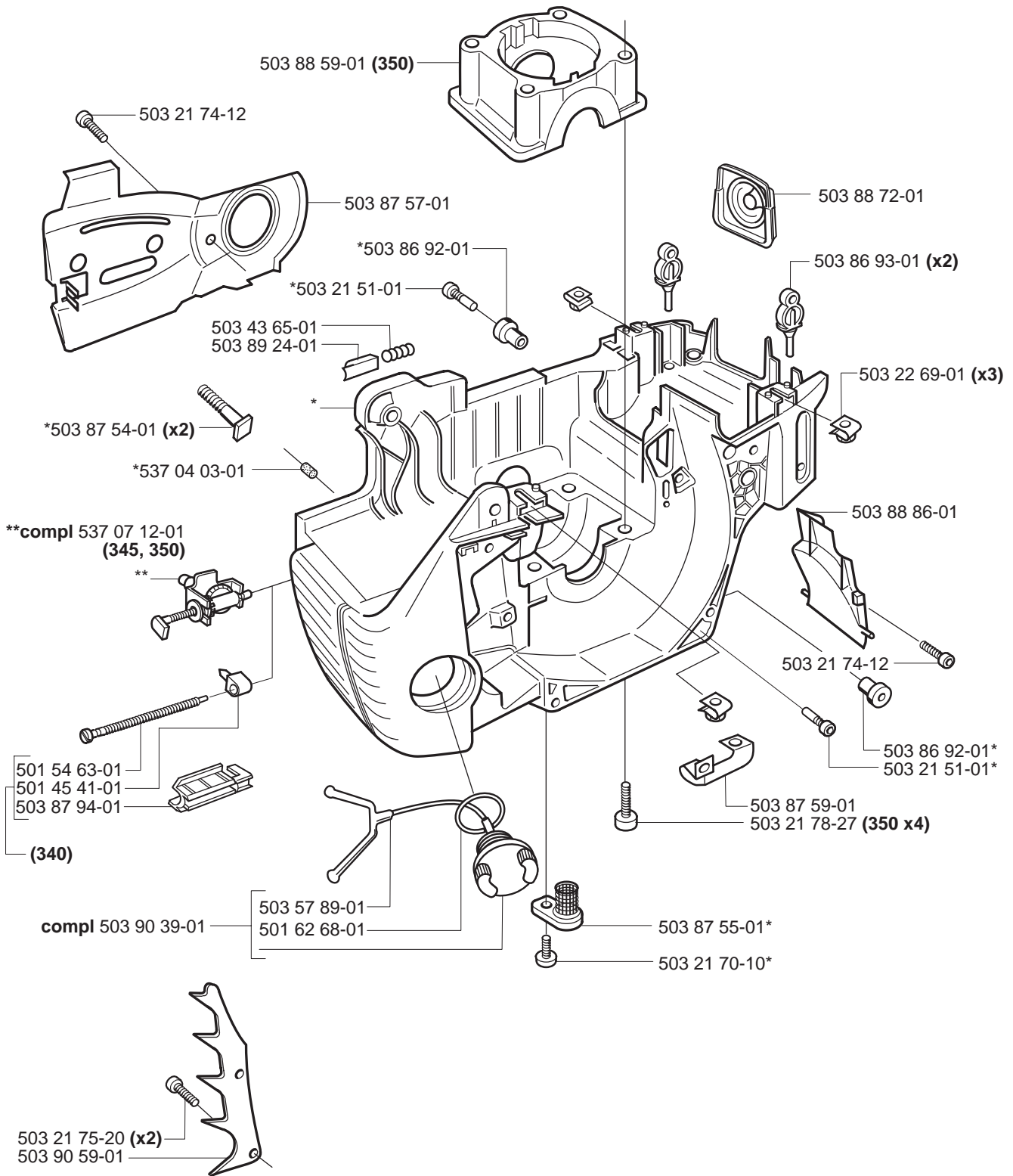


\*compl 503 86 28-02 (DF) 340, 345, 350



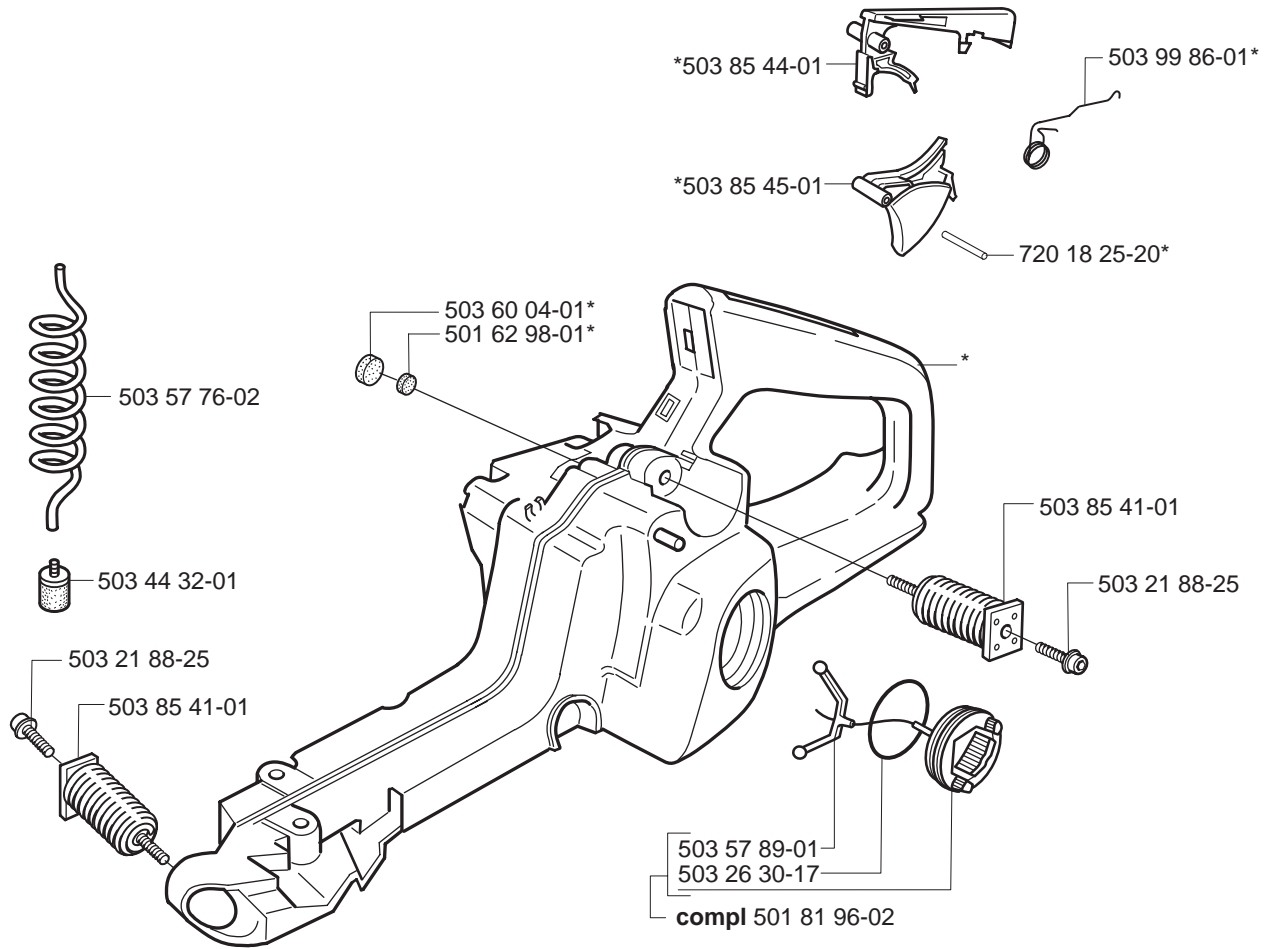
**G**





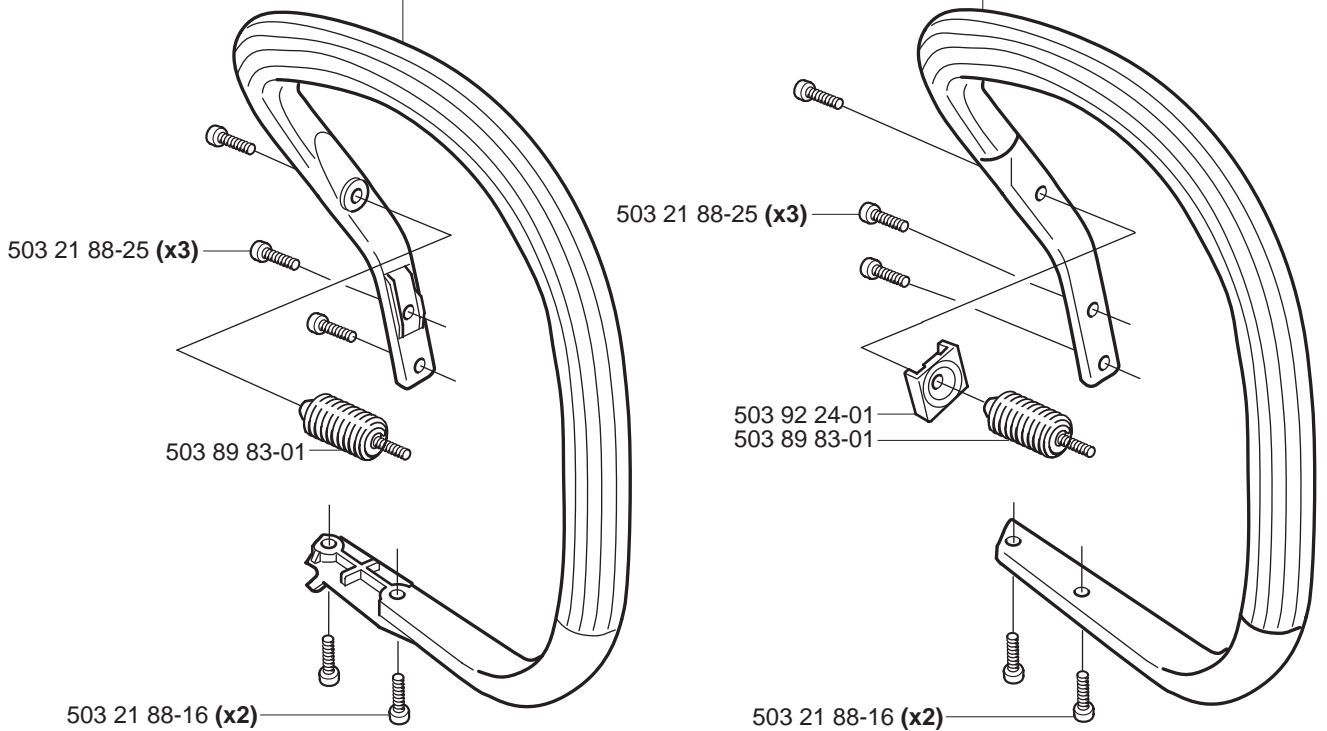
**J**

\*compl 503 86 37-71

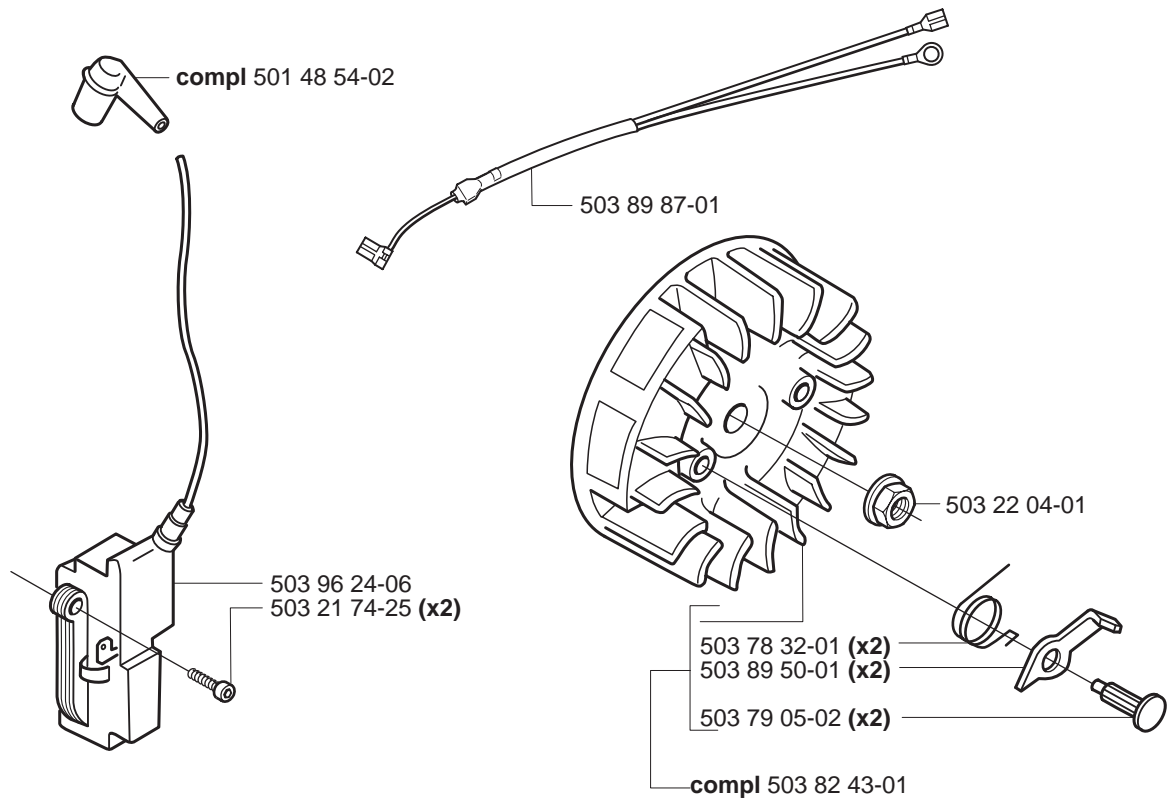
**K**

503 85 37-01 (340, 345)

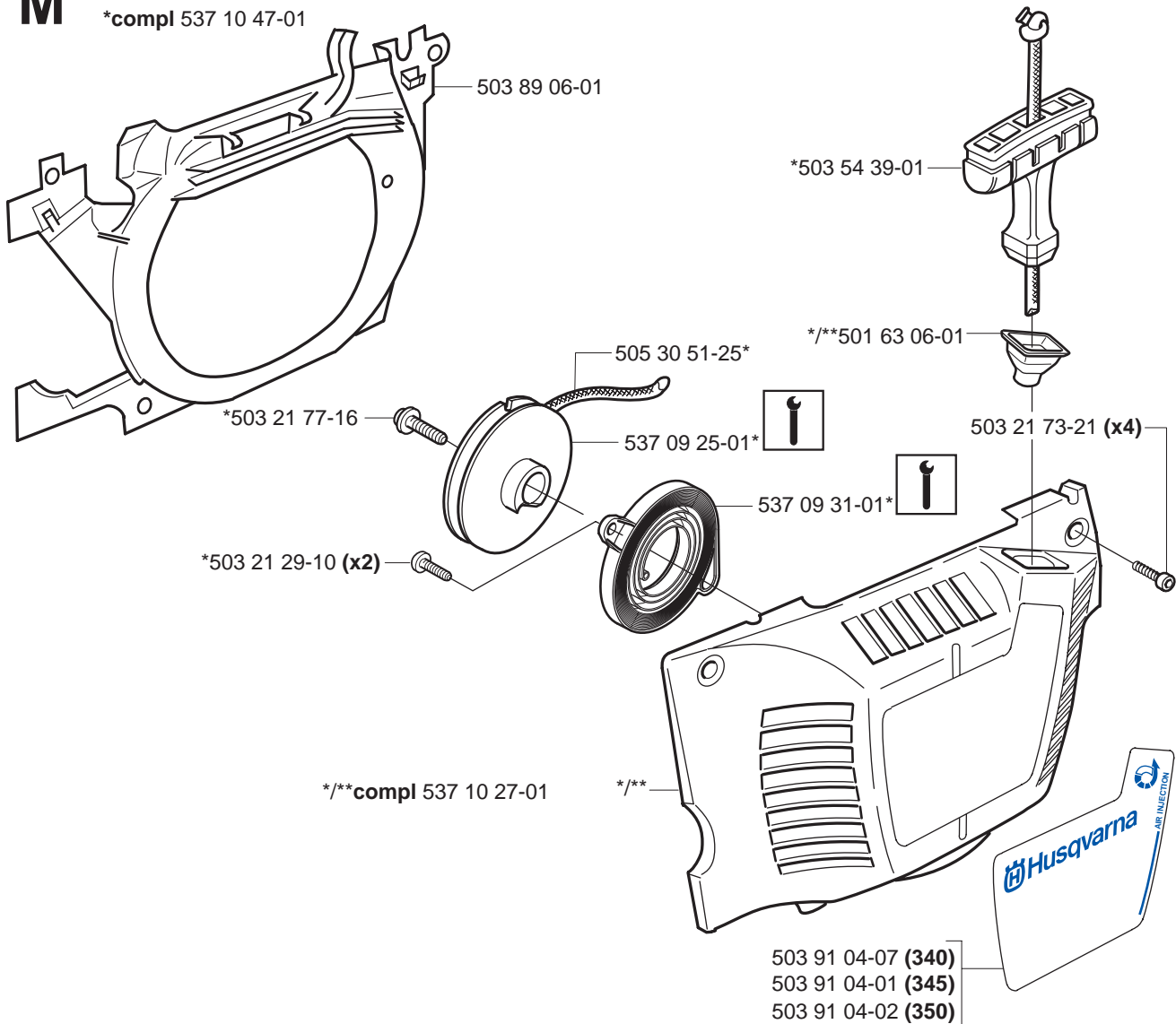
503 90 93-01 (350)



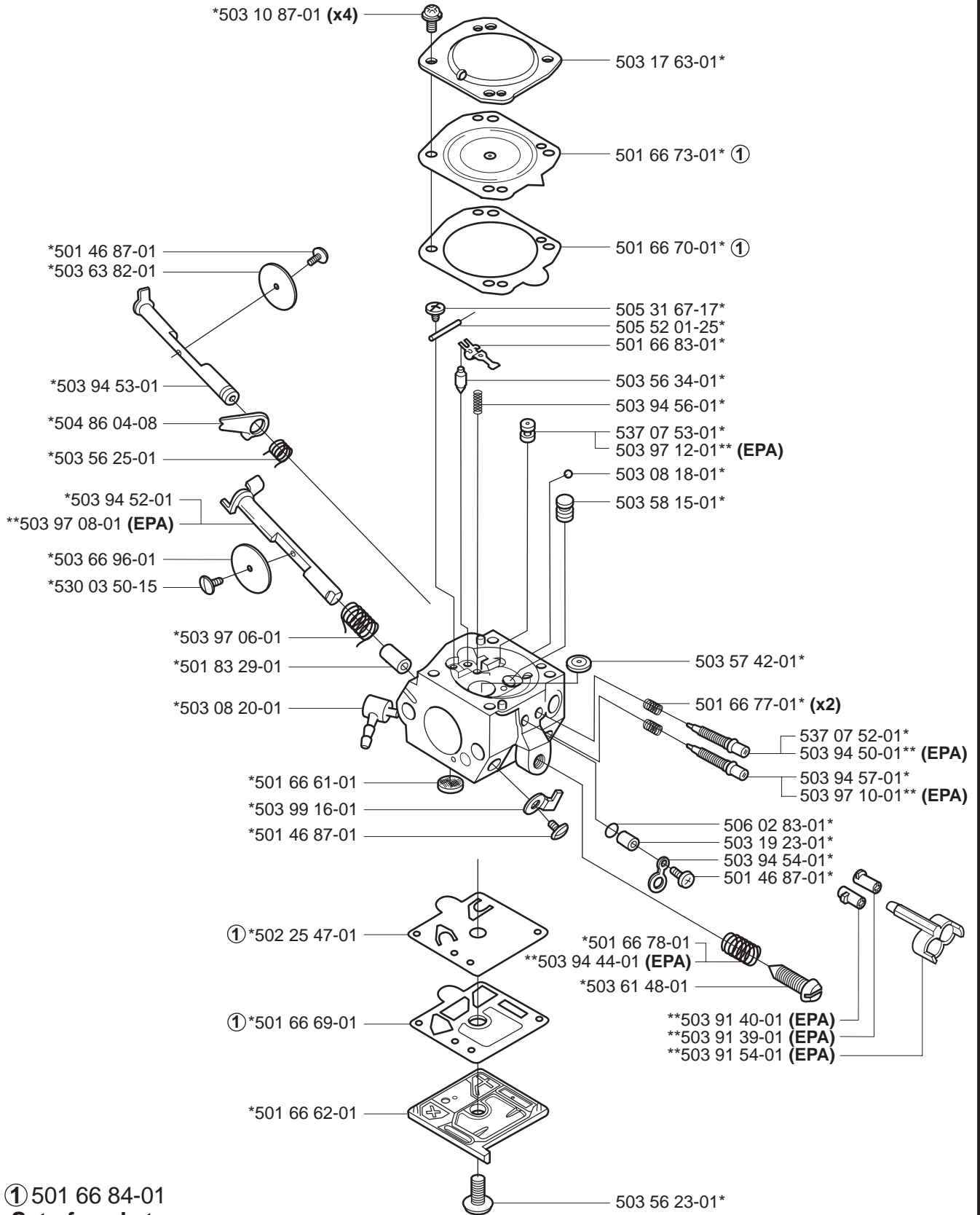
**L**



**M**



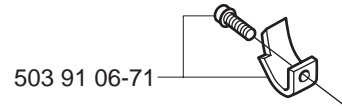
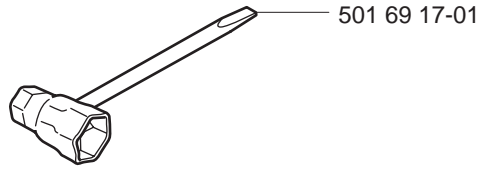
**N** \*compl 503 28 18-03 Walbro HDA 154 C  
 \*\*compl 503 28 16-14 Walbro HDA 159 A (EPA)



① 501 66 84-01  
**Set of gaskets**  
**Dichtungssatz**  
**Jeu de joints**  
**Juego de juntas**  
**Packningssats**

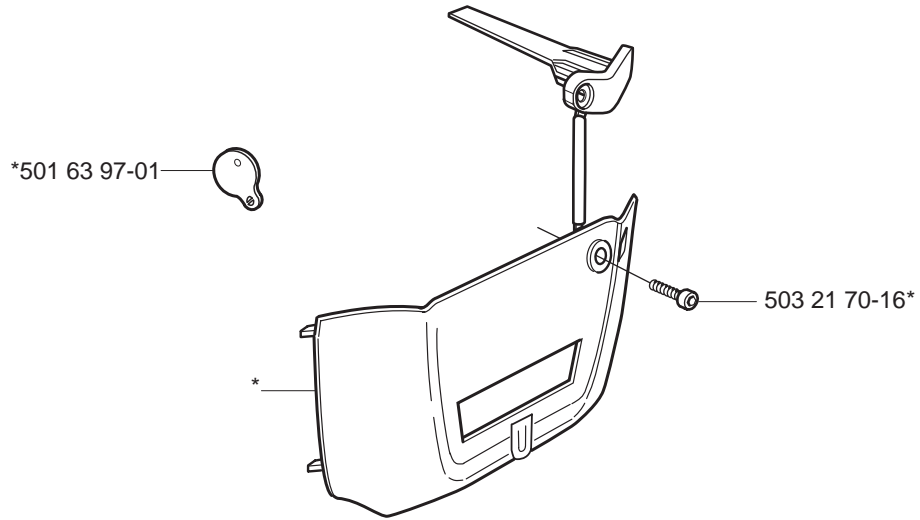


**P** Tillbehör  
Accessories  
Zubehöre  
Accessoires  
Accesorios



**Winter kit**

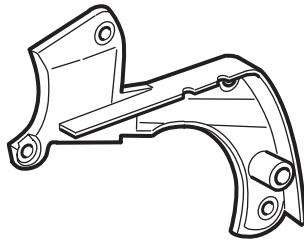
\*compl 537 04 28-71



Q



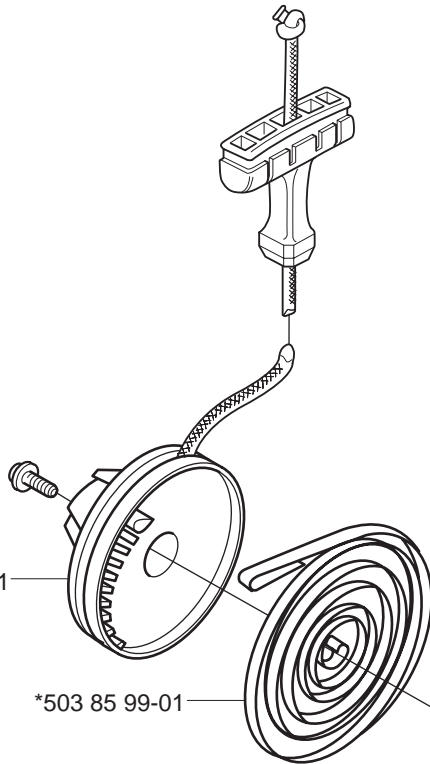
Up to 991499999



503 89 07-02



Up to 010604200 (340)  
Up to 010602850 (345)  
Up to 010702450 (350)

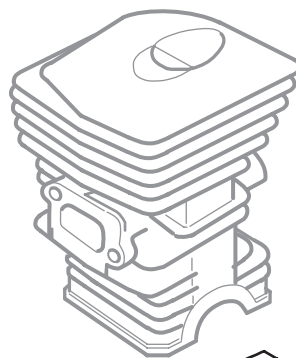


\*503 87 63-01

\*503 85 99-01



Up to 000601101 (345)



503 92 60-01 (x2)

MODEL 340, 345, 340 EPA, 345 EPA

PART NUMBER	SQUARE NOTE	PART NUMBER	SQUARE NOTE	PART NUMBER	SQUARE NOTE	PART NUMBER	SQUARE NOTE
501 45 16-01	D,E	503 63 82-01	N	503 91 04-07	M		
501 45 41-01	H	503 66 54-01	D N	503 91 05-01	C		
501 46 87-01	N	503 66 96-01	N	503 91 06-71	P		
501 48 54-02	L	503 78 32-01	L	503 91 39-01	N	EPA	
501 54 63-01	H	503 79 05-02	L	503 91 40-01	N	EPA	
501 62 68-01	H	503 81 56-01	B N	503 91 54-01	N	EPA	
501 62 98-01	J	503 81 59-01	B N	503 92 24-01	K		
501 63 06-01	M N	503 82 43-01	L	503 92 60-01	Q		
501 63 97-01	P	503 85 09-01	A	503 92 60-02	D	N	
501 66 61-01	N	503 85 37-01	K	503 93 18-01	B		
501 66 62-01	N	503 85 41-01	J	503 93 21-01	B		
501 66 69-01	N 1	503 85 44-01	J	503 93 23-02	E	N	
501 66 70-01	N 1	503 85 45-01	J	503 94 44-01	N	EPA	
501 66 73-01	N 1	503 85 48-01	B	503 94 50-01	N	EPA	
501 66 77-01	N	503 85 52-01	A	503 94 52-01	N		
501 66 78-01	N	503 85 66-01	A	503 94 53-01	N		
501 66 83-01	N N	503 85 80-71	E	503 94 54-01	N		
501 66 84-01	N 1=compl	503 85 99-01	Q	503 94 56-01	N		
501 69 17-01	P	503 86 25-01	D	503 94 57-01	N		
501 81 96-02	J	503 86 27-02	F	503 96 24-06	L	N	
501 83 29-01	N	503 86 28-02	F	503 97 06-01	N		
502 25 47-01	N 1	503 86 36-01	F	503 97 08-01	N	EPA	
503 08 18-01	N	503 86 37-71	J	503 97 10-01	N	EPA	
503 08 20-01	N	503 86 62-01	G	503 97 12-01	N	EPA	
503 10 87-01	N	503 86 63-01	G	503 97 13-01	D		
503 17 63-01	N	503 86 64-01	G	503 98 74-01	C		
503 19 23-01	N	503 86 92-01	H	503 99 16-01	N		
503 20 05-32	D	503 86 93-01	H	503 99 86-01	J		
503 20 29-87	F	503 86 94-01	G	504 86 04-08	N		
503 20 34-25	C	503 86 95-01	G	505 30 51-25	M		
503 21 29-10	M N	503 86 96-01	G	505 31 67-17	N		
503 21 51-01	H	503 86 97-01	G	505 52 01-25	N		
503 21 70-10	A,H	503 86 99-71	D	506 02 83-01	N		
503 21 70-16	P	503 87 00-73	D N	530 03 50-15	N		
503 21 73-21	M	503 87 01-71	D	537 02 40-01	G	N	
503 21 74-12	B,H	503 87 02-74	D	537 02 40-02	G	N	
503 21 74-25	D,L	503 87 30-72	B N	537 02 40-03	G	N	
503 21 74-50	G	503 87 54-01	H	537 02 71-01	B		
503 21 75-20	H	503 87 55-01	H	537 02 90-01	G		
503 21 77-16	M	503 87 57-01	H	537 04 03-01	H		
503 21 78-27	H	503 87 59-01	H	537 04 28-71	P		
503 21 88-16	K	503 87 63-01	Q	537 04 30-01	A		
503 21 88-25	J,K	503 87 94-01	H	537 06 91-01	B	N	
503 22 00-01	A	503 87 96-01	F	537 07 12-01	H	N	
503 22 04-01	L N	503 88 59-01	H	537 07 52-01	N		
503 22 69-01	H	503 88 72-01	H	537 07 53-01	N		
503 23 00-60	B	503 88 86-01	H	537 08 90-01	A	N	
503 23 51-08	D	503 88 92-01	G	537 09 25-01	M	N	
503 24 09-05	B	503 89 06-01	M	537 09 31-01	M	N	
503 25 52-01	B	503 89 07-02	Q	537 10 27-01	M	N	
503 26 30-17	J	503 89 08-02	A N	537 10 47-01	M	N	
503 28 16-14	G,N EPA	503 89 15-01	B	537 10 55-01	B	N	
503 28 18-03	G,N	503 89 16-01	B	537 10 78-01	A	N	
503 28 90-03	D	503 89 22-02	B N	537 10 80-01	A	N	
503 28 90-05	D	503 89 24-01	H	537 15 48-01	B	N	
503 28 90-10	D	503 89 29-01	A	537 17 20-01	H	N	
503 43 65-01	H	503 89 30-02	A N	720 18 25-20	J	N	
503 44 32-01	J	503 89 44-01	D	721 11 64-30	B		
503 46 59-01	A	503 89 50-01	L	724 12 87-59	F		
503 54 39-01	M	503 89 60-01	G	735 31 08-20	A		
503 55 22-01	D N	503 89 64-01	A	737 44 10-00	D		
503 56 23-01	N	503 89 83-01	K				
503 56 25-01	N	503 89 87-01	L				
503 56 34-01	N	503 89 96-71	D				
503 57 42-01	N	503 90 39-01	H				
503 57 76-02	J	503 90 59-01	H				
503 57 89-01	J,H	503 90 73-71	D				
503 58 15-01	N	503 90 93-01	K				
503 60 04-01	J	503 91 04-01	M				
503 61 48-01	N	503 91 04-02	M				

1 = 501 66 84-01

Set of gaskets, Dichtungssatz,  
Jeu de joints, Juego de juntas,  
Packningssats

N = New part, Neues teil,  
Nouvelle piece, Nueva pieza  
Ny detalj

EPA = Environmental Protection Agency  
(for USA only)