

2171, 2163, 2171 EPA, 2163 EPA

Spare parts

Replaces

Ersatzteile

Ersetzt

Pièces détachées

Remplace

Reserve onderdelen

Vervangt

Repuestos

Reemplaza

Reservdelar

Ersätter

106 24 45-64

A

*compl 503 71 93-04

503 20 02-12 (x4)



503 98 74-01*

503 20 25-12

503 43 65-01

503 83 81-02

537 00 87-02

**compl 537 07 20-01 2171

503 22 00-01 (x2)

503 21 28-10

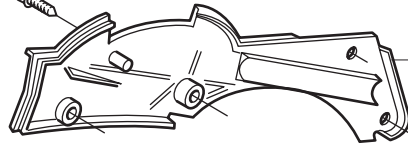
503 92 27-01
2171 WRAP

503 71 97-01 2171

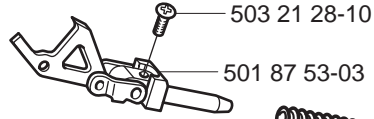
**537 04 41-02

740 48 07-02
503 23 00-63
537 07 94-01537 01 74-01
503 99 83-01
537 07 95-01
503 23 00-66
537 01 68-01

**537 07 20-71

503 70 12-03
503 21 28-10
503 89 70-01
503 76 29-02

503 75 11-03



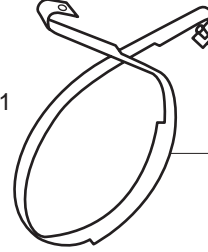
503 21 28-10

501 87 53-03



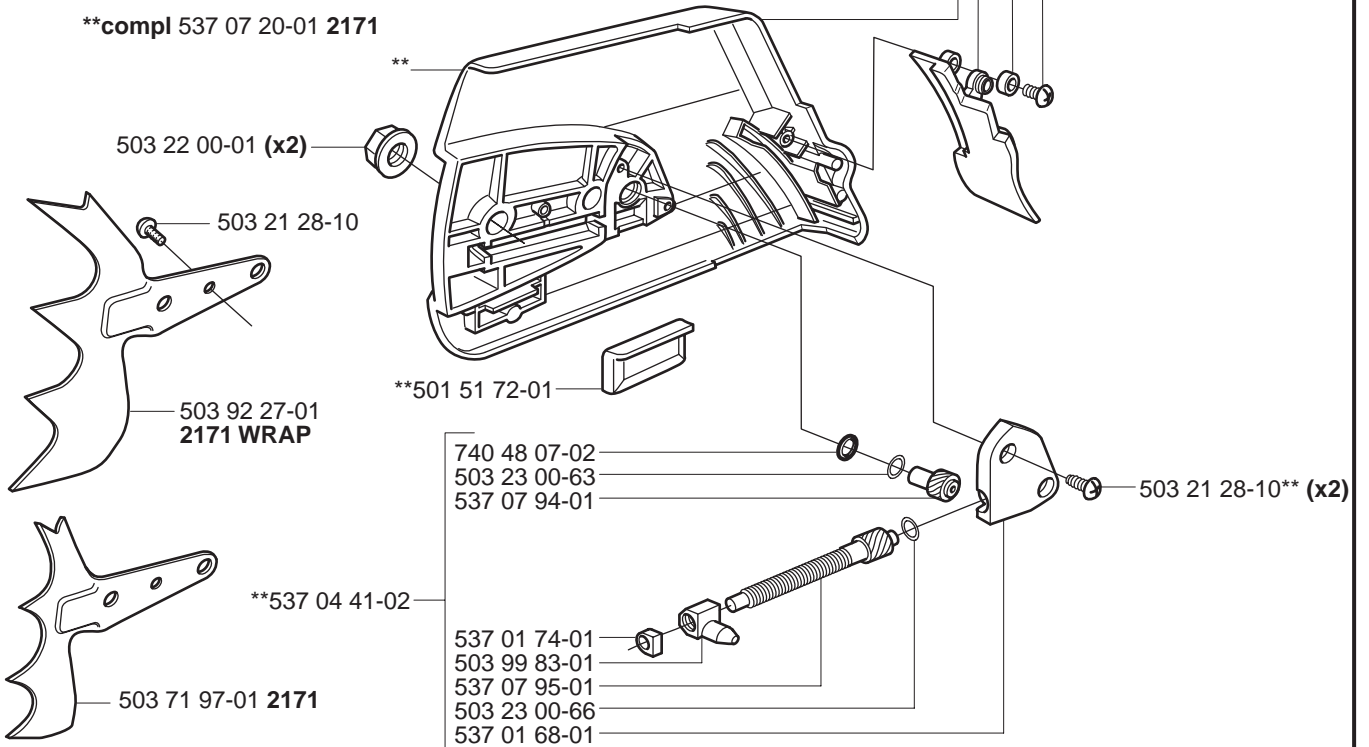
503 70 99-01

503 79 27-01



503 75 22-01

503 77 52-01

**Jonsered
TURBO****B**

*compl 503 73 51-01 2163

**Jonsered
TURBO**

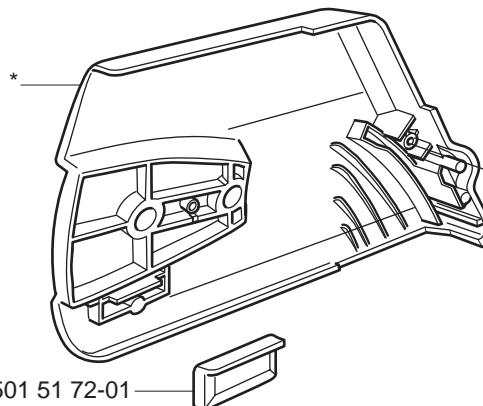
*503 70 12-03

503 89 70-01*

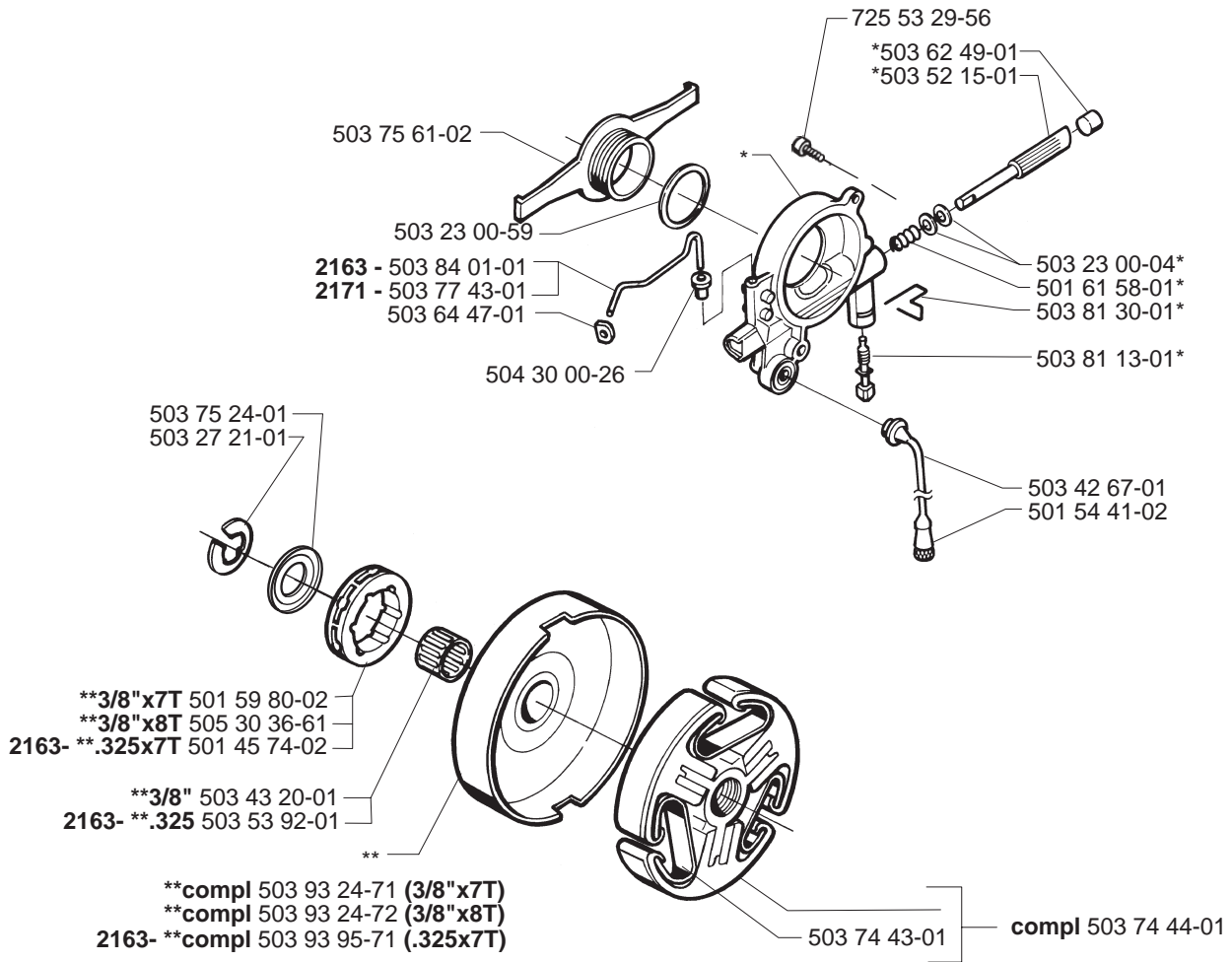
503 21 28-10*

503 76 29-02*

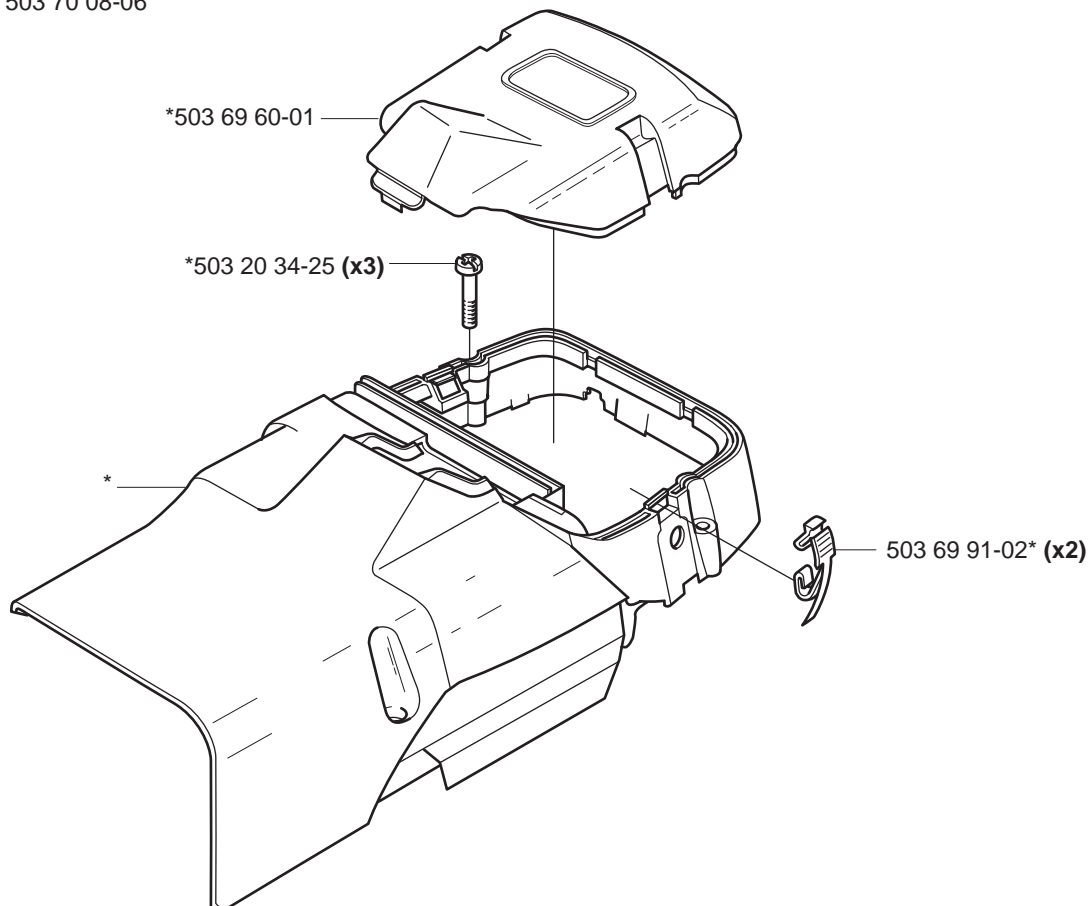
*501 51 72-01



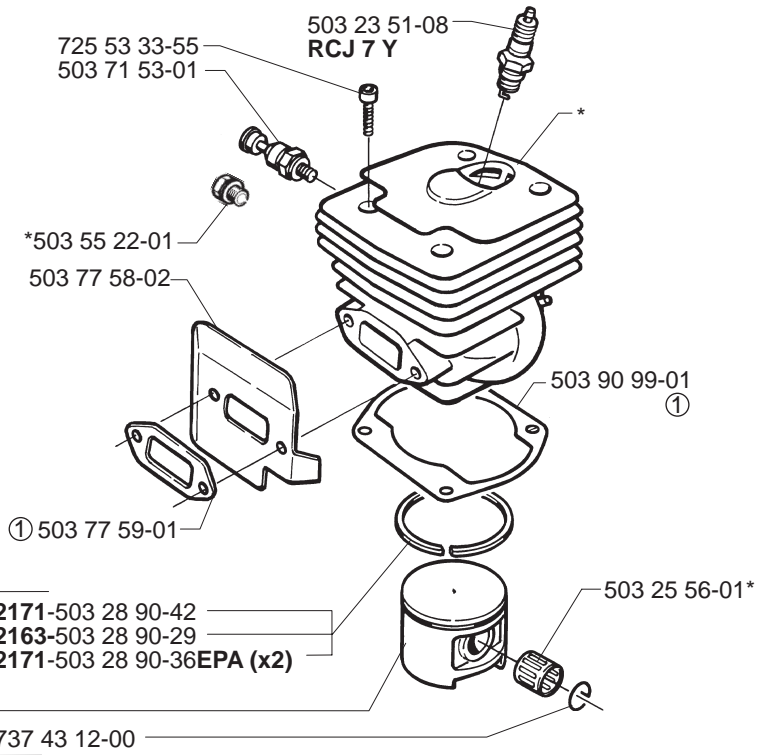
C *compl 503 52 13-01



D *compl 503 70 08-06

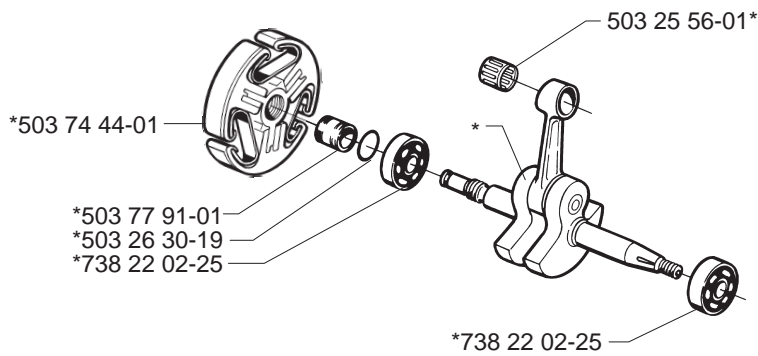


E *compl 503 62 64-73 2171
 *compl 503 96 52-71 2163
 *compl 503 93 93-72 2171 EPA

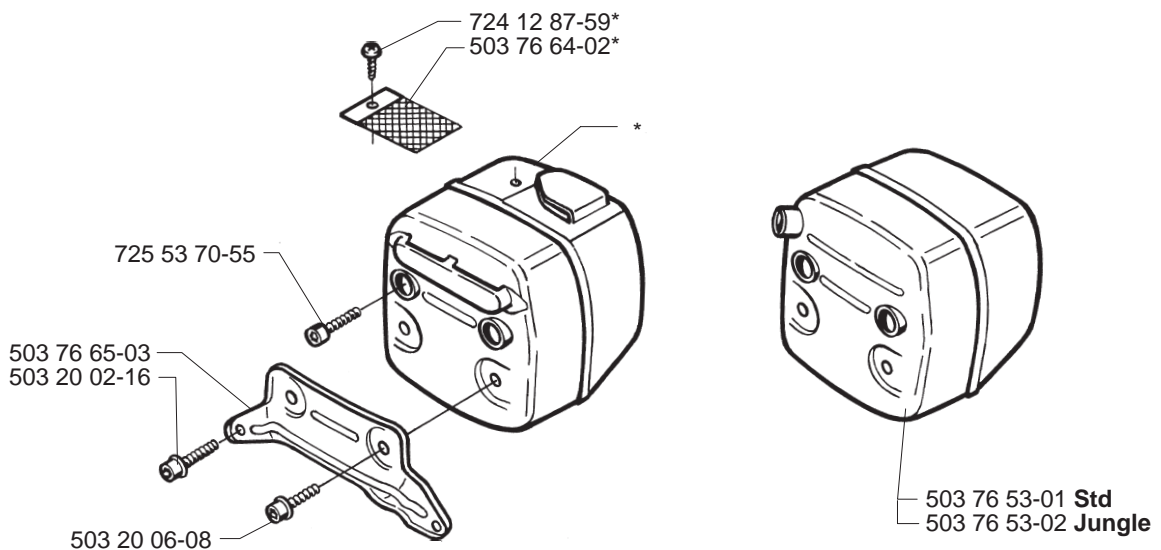


*compl 503 69 12-71 - 2171
 *compl 503 69 14-71 - 2163
 *compl 503 93 92-71 - 2171 EPA

F *compl 503 74 87-01

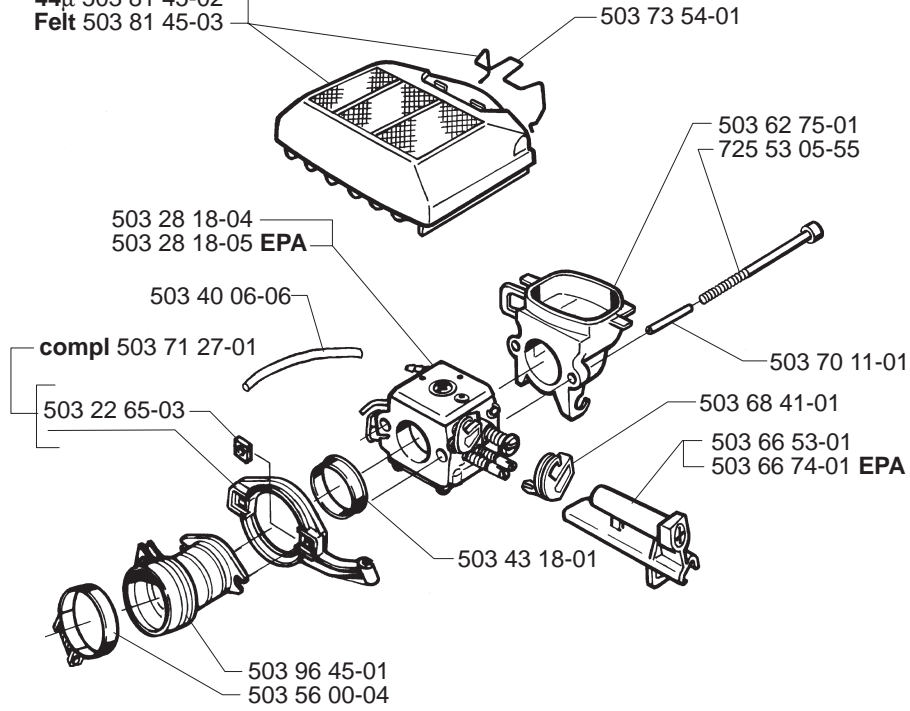


G *compl 503 76 52-01 FG
 *compl 503 76 54-02 DF

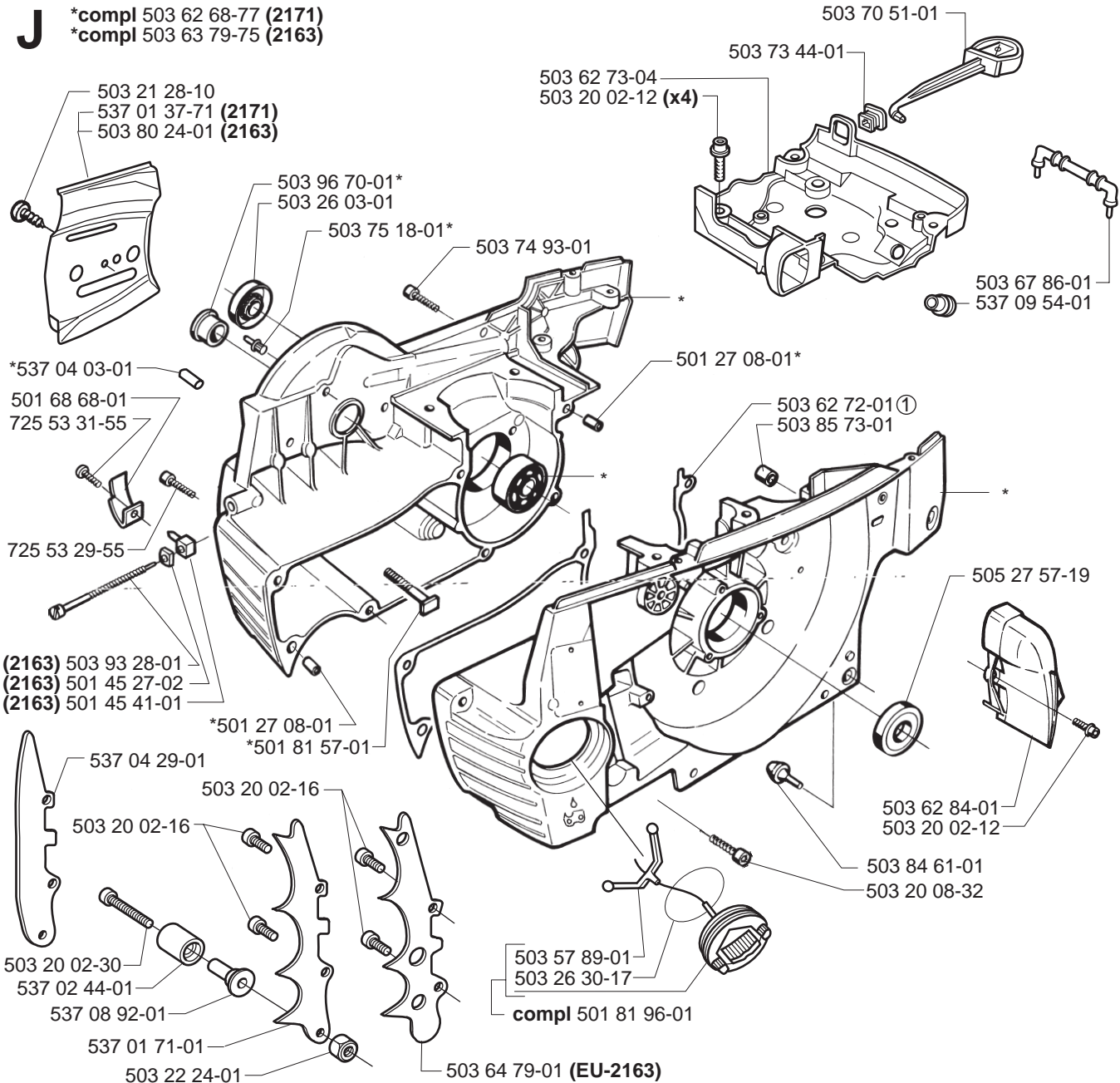


H

80 μ 503 81 45-01
 44 μ 503 81 45-02
 Felt 503 81 45-03

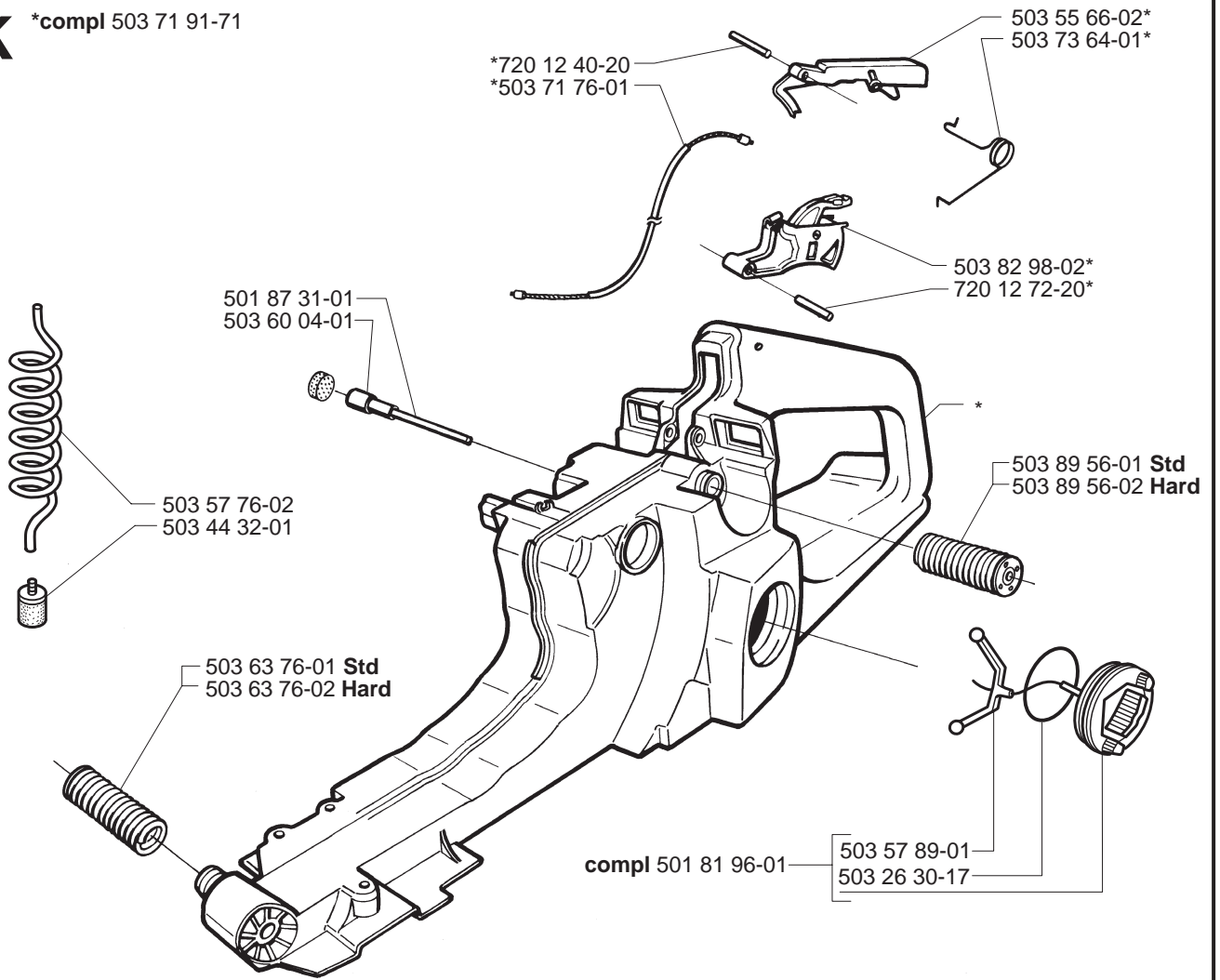
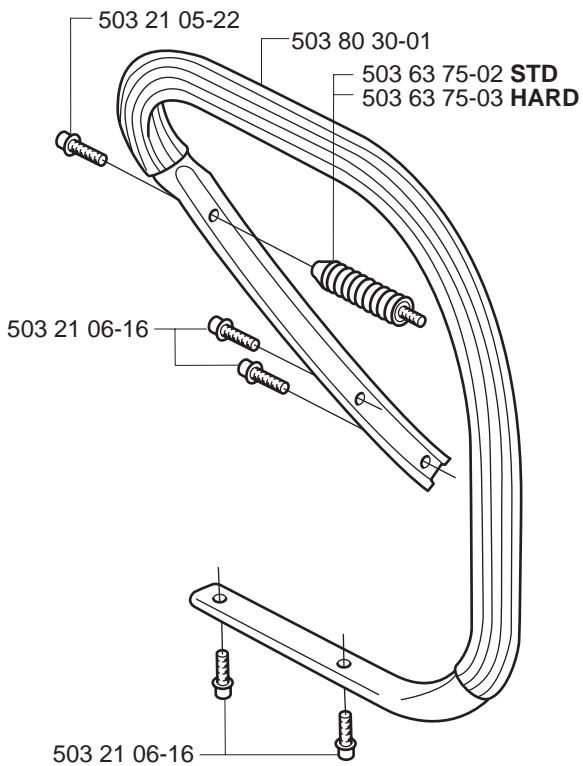
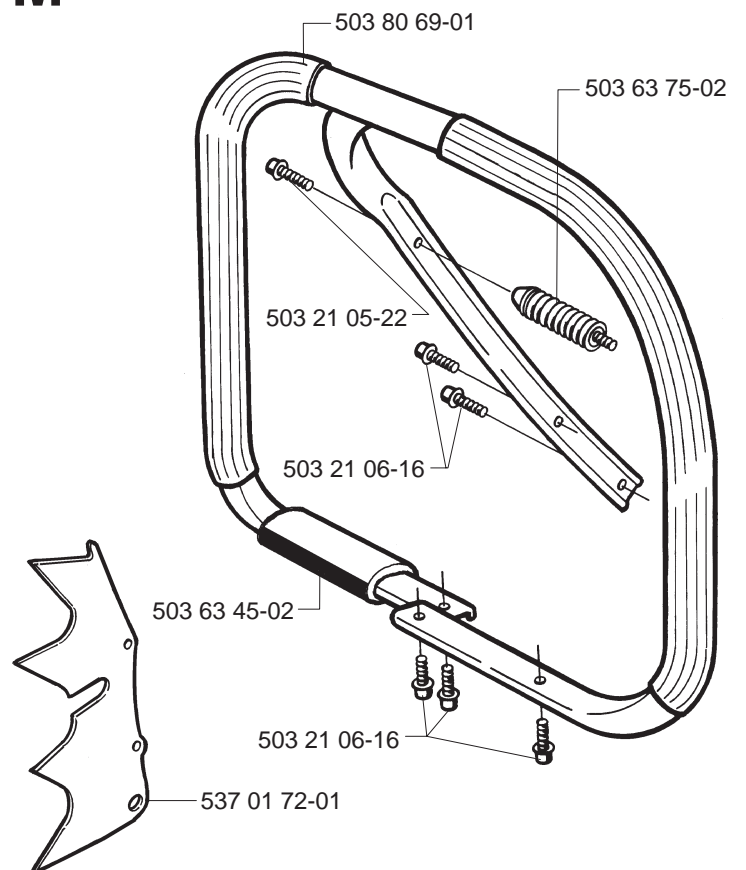
**J**

*compl 503 62 68-77 (2171)
 *compl 503 63 79-75 (2163)



K

*compl 503 71 91-71

**L****M**

N

*compl 537 08 72-01(W)

(W)*537 07 13-01

(W)*537 06 04-01

537 07 18-01 (W)

503 20 26-16 (W)

503 23 01-01

503 22 10-11

503 55 49-01(W)*

537 07 14-01(W)*

501 67 35-01

503 23 00-42

537 01 55-01

501 81 99-01

(W)501 43 00-01

(W)*503 23 85-65

compl 537 05 16-06 (W)

(W)*compl 537 01 59-01

*503 64 02-01 (W)

501 80 24-03 (W)

503 20 26-16 (W)

503 23 01-01

503 22 10-11

(W) 501 43 00-01*

(W)*

501 67 35-01

503 23 00-42

537 01 55-01

501 81 99-01

compl 537 05 16-04 (W)

729 42 21-01 (W)

501 48 54-02

503 70 59-01 (W)

503 62 61-01

503 89 76-01

503 21 28-10

503 80 30-02 (W)

503 21 05-22

503 23 01-01

503 22 10-11

503 68 45-02(W)

503 71 82-01

537 16 22-01

503 20 02-20 (x2)

501 67 35-01

503 23 00-42

537 01 55-01

501 81 99-01

compl 537 05 16-05

503 21 06-16

P

*compl 503 69 28-71

503 62 83-01

503 21 06-16*

503 23 43-02*

501 20 15-02*

*504 65 42-03

***501 63 06-01

537 08 67-01***

*503 85 96-01

*503 78 72-01

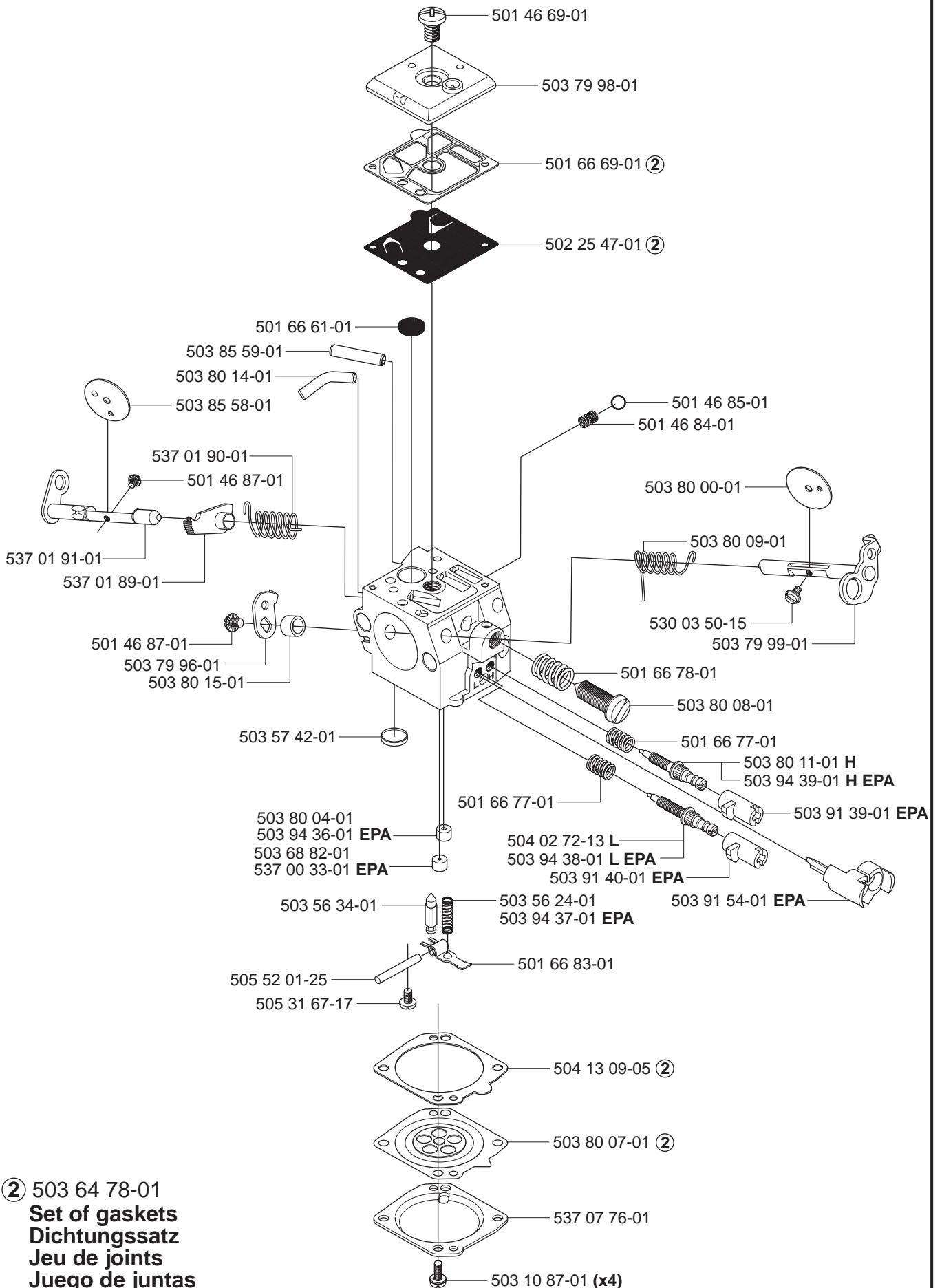
***compl 503 69 29-02

503 20 34-19* (x4)



compl 503 28 18-04
 compl 503 28 18-05 EPA

Walbro HD-6B Walbro HD-12B EPA

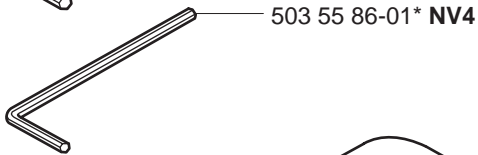
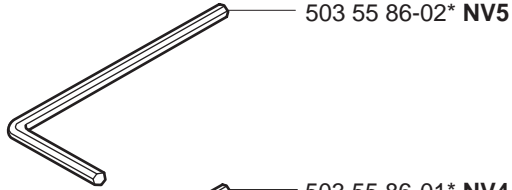
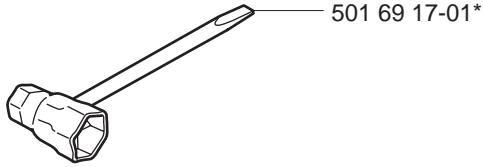
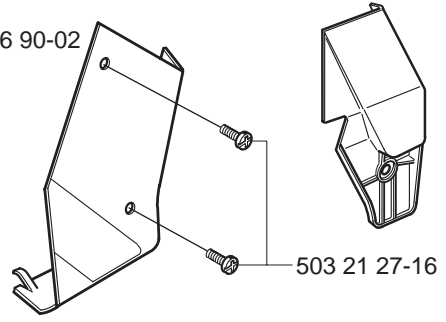


② 503 64 78-01
Set of gaskets
Dichtungssatz
Jeu de joints
Juego de juntas
Packningssatz

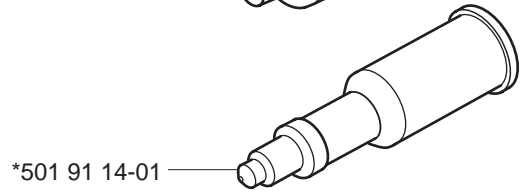
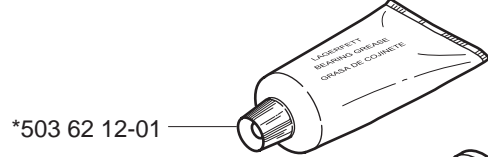
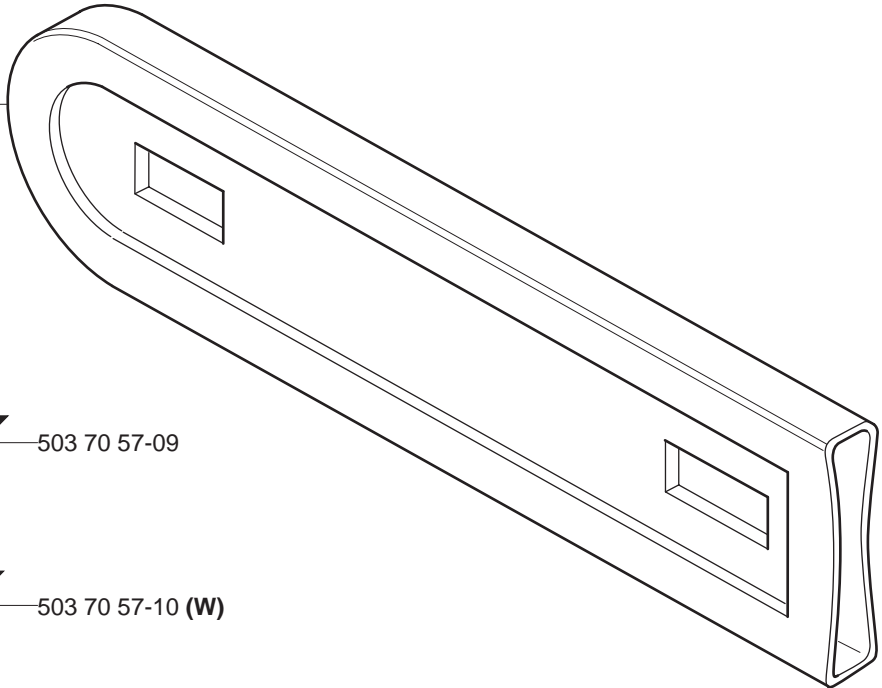
R Accessories
 Zubehöre
 Accessories
 Accesorios
 Tillbehör

*compl 503 55 85-01

WINTER
 compl 503 96 90-02



501 83 44-02 13"-16"
 501 83 44-05 18"-22"
 501 83 45-02 24"-28"



MODEL 2171, 2163, 2171 EPA, 2163 EPA

PART NUMBER	SQUARE NOTE	PART NUMBER	SQUARE NOTE	PART NUMBER	SQUARE NOTE	PART NUMBER	SQUARE NOTE
501 81 96-01	J	503 28 18-04	H,Q	503 71 27-01	H	503 92 27-01	A
503 74 44-01	C	503 28 18-05	H,Q EPA	503 71 53-01	E	503 93 24-71	C
501 20 15-02	P	503 28 90-29	E	503 71 76-01	K	503 93 24-72	C
501 27 08-01	J	503 28 90-36	E EPA	503 71 82-01	N	503 93 28-01	J
501 43 00-01	N	503 28 90-42	E	503 71 91-71	K	503 93 92-71	E EPA
501 45 27-02	J	503 40 06-06	H	503 71 93-04	A	503 93 93-72	E EPA
501 45 41-01	J	503 42 67-01	C	503 71 97-01	A	503 93 95-71	C
501 45 74-02	C	503 43 18-01	H	503 73 44-01	J	503 94 36-01	Q EPA
501 46 69-01	Q	503 43 20-01	C	503 73 51-01	B	503 94 37-01	Q EPA
501 46 84-01	Q	503 43 65-01	A	503 73 54-01	H	503 94 38-01	Q EPA
501 46 85-01	Q	503 44 32-01	K	503 73 64-01	K	503 94 39-01	Q EPA
501 46 87-01	Q	503 52 13-01	C	503 74 43-01	C	503 96 45-01	H
501 48 54-02	N	503 52 15-01	C	503 74 44-01	F	503 96 52-71	E
501 51 72-01	A,B	503 53 92-01	C	503 74 87-01	F N	503 96 70-01	J
501 54 41-02	C	503 55 22-01	E	503 74 93-01	J	503 96 90-02	R
501 59 80-02	C	503 55 49-01	N	503 75 11-03	A	503 98 74-01	A
501 61 58-01	C	503 55 66-02	K	503 75 18-01	J	503 99 83-01	A
501 63 06-01	P N	503 55 85-01	R	503 75 22-01	A	504 02 72-13	Q
501 66 61-01	Q	503 55 86-01	R	503 75 24-01	C	504 13 09-05	Q 2
501 66 69-01	Q 2	503 55 86-02	R	503 75 61-02	C	504 30 00-26	C
501 66 77-01	Q	503 56 00-04	H	503 76 29-02	A,B	504 65 42-03	P
501 66 78-01	Q	503 56 24-01	Q	503 76 52-01	G	505 27 57-19	J
501 66 83-01	Q	503 56 34-01	Q	503 76 53-01	G	505 30 36-61	C
501 67 35-01	N	503 57 42-01	Q	503 76 53-02	G	505 31 67-17	Q
501 68 68-01	J	503 57 76-02	K	503 76 54-02	G	505 52 01-25	Q
501 69 17-01	R	503 57 89-01	J,K	503 76 64-02	G	530 03 50-15	Q
501 80 24-03	N	503 60 04-01	K	503 76 65-03	G N	537 00 33-01	Q EPA
501 81 57-01	J	503 62 12-01	R	503 77 43-01	C	537 00 87-02	A
501 81 96-01	K	503 62 49-01	C	503 77 52-01	A	537 01 37-71	J
501 81 99-01	N	503 62 61-01	N	503 77 58-02	E	537 01 55-01	N N
501 83 44-02	R	503 62 64-73	E	503 77 59-01	E 1	537 01 59-01	N
501 83 44-05	R	503 62 68-77	J	503 77 91-01	F N	537 01 68-01	A
501 83 45-02	R	503 62 72-01	J 1	503 78 72-01	P	537 01 71-01	J
501 87 31-01	K	503 62 73-04	J	503 79 27-01	A	537 01 72-01	M
501 87 53-03	A	503 62 75-01	H	503 79 96-01	Q	537 01 74-01	A
501 91 14-01	R	503 62 83-01	P	503 79 98-01	Q	537 01 89-01	Q
502 25 47-01	Q 2	503 62 84-01	J	503 79 99-01	Q	537 01 90-01	Q
503 10 87-01	Q	503 63 45-02	M	503 80 00-01	Q	537 01 91-01	Q
503 20 02-12	A,J	503 63 75-02	L,M	503 80 04-01	Q	537 02 44-01	J
503 20 02-16	G,J	503 63 75-03	L	503 80 07-01	Q 2	537 04 03-01	J
503 20 02-20	N	503 63 76-01	K	503 80 08-01	Q	537 04 29-01	J
503 20 02-30	J	503 63 76-02	K	503 80 09-01	Q	537 04 41-02	A
503 20 06-08	G	503 63 79-75	J	503 80 11-01	Q	537 05 16-04	N N
503 20 08-32	J	503 64 02-01	N	503 80 14-01	Q	537 05 16-05	N N
503 20 25-12	A	503 64 47-01	C	503 80 15-01	Q	537 05 16-06	N N
503 20 26-16	N	503 64 72-01	1=compl	503 80 24-01	J	537 06 04-01	N
503 20 34-19	P	503 64 78-01	Q 2=compl	503 80 30-01	L	537 07 13-01	N
503 20 34-25	D	503 64 79-01	J	503 80 30-02	N	537 07 14-01	N
503 21 05-22	L,M,N	503 66 53-01	H	503 80 69-01	M	537 07 18-01	N
503 21 06-16	L,M,N,P	503 66 74-01	H EPA	503 81 13-01	C	537 07 20-01	A
503 21 27-16	R	503 67 86-01	J	503 81 30-01	C	537 07 20-71	A
503 21 28-10	A,B,J,N	503 68 41-01	H	503 81 45-01	H	537 07 76-01	Q
503 22 00-01	A	503 68 45-02	N	503 81 45-02	H	537 07 94-01	A
503 22 10-11	N	503 68 82-01	Q	503 81 45-03	H	537 07 95-01	A
503 22 24-01	J	503 69 12-71	E	503 82 98-02	K	537 08 67-01	P
503 22 65-03	H	503 69 14-71	E	503 83 81-02	A	537 08 72-01	N
503 23 00-04	C	503 69 28-71	P	503 84 01-01	C	537 08 92-01	J
503 23 00-42	N	503 69 29-02	P N	503 84 61-01	J	537 09 54-01	J
503 23 00-59	C	503 69 60-01	D	503 85 58-01	Q	537 16 22-01	N
503 23 00-63	A	503 69 91-02	D	503 85 59-01	Q	720 12 40-20	K
503 23 00-66	A	503 70 08-06	D	503 85 73-01	J	720 12 72-20	K
503 23 01-01	N	503 70 11-01	H	503 85 96-01	P	724 12 87-59	G
503 23 43-02	P	503 70 12-03	A,B,R	503 89 56-01	K	725 53 05-55	H
503 23 51-08	E	503 70 51-01	J	503 89 56-02	K	725 53 29-55	J
503 23 85-65	N	503 70 57-06	R	503 89 70-01	A,B	725 53 29-56	C
503 25 56-01	E,F	503 70 57-07	R	503 89 76-01	N	725 53 31-55	J
503 26 03-01	J	503 70 57-09	R	503 90 99-01	E 1	725 53 33-55	E
503 26 30-17	J,K	503 70 57-10	R	503 91 39-01	Q EPA	725 53 70-55	G
503 26 30-19	F N	503 70 59-01	N	503 91 40-01	Q EPA	729 42 21-01	N
503 27 21-01	C	503 70 99-01	A	503 91 54-01	Q EPA	737 43 12-00	E

1 = 503 64 72-01 Set of gaskets
 2 = 503 64 78-01 Dichtungssatz
 Jeu de joints
 Juego de juntas
 Packningssats

N = New part
 Neues teil
 Nouvelle piece
 Nueva pieza
 Ny detalj

MODEL 2171, 2163, 2171 EPA, 2163 EPA

PART NUMBER SQUARE NOTE	PART NUMBER SQUARE NOTE	PART NUMBER SQUARE NOTE	PART NUMBER SQUARE NOTE
738 22 02-25 F 740 48 07-02 A			

1 = 503 64 72-01 Set of gaskets
 2 = 503 64 78-01 Dichtungssatz
 Jeu de joints
 Juego de juntas
 Packningsats

N = New part
 Neues teil
 Nouvelle piece
 Nueva pieza
 Ny detalj