

2149

Spare parts

Replaces

Ersatzteile

Ersetzt

Pièces détachées

Remplace

Reserve onderdelen

Vervangt

Repuestos

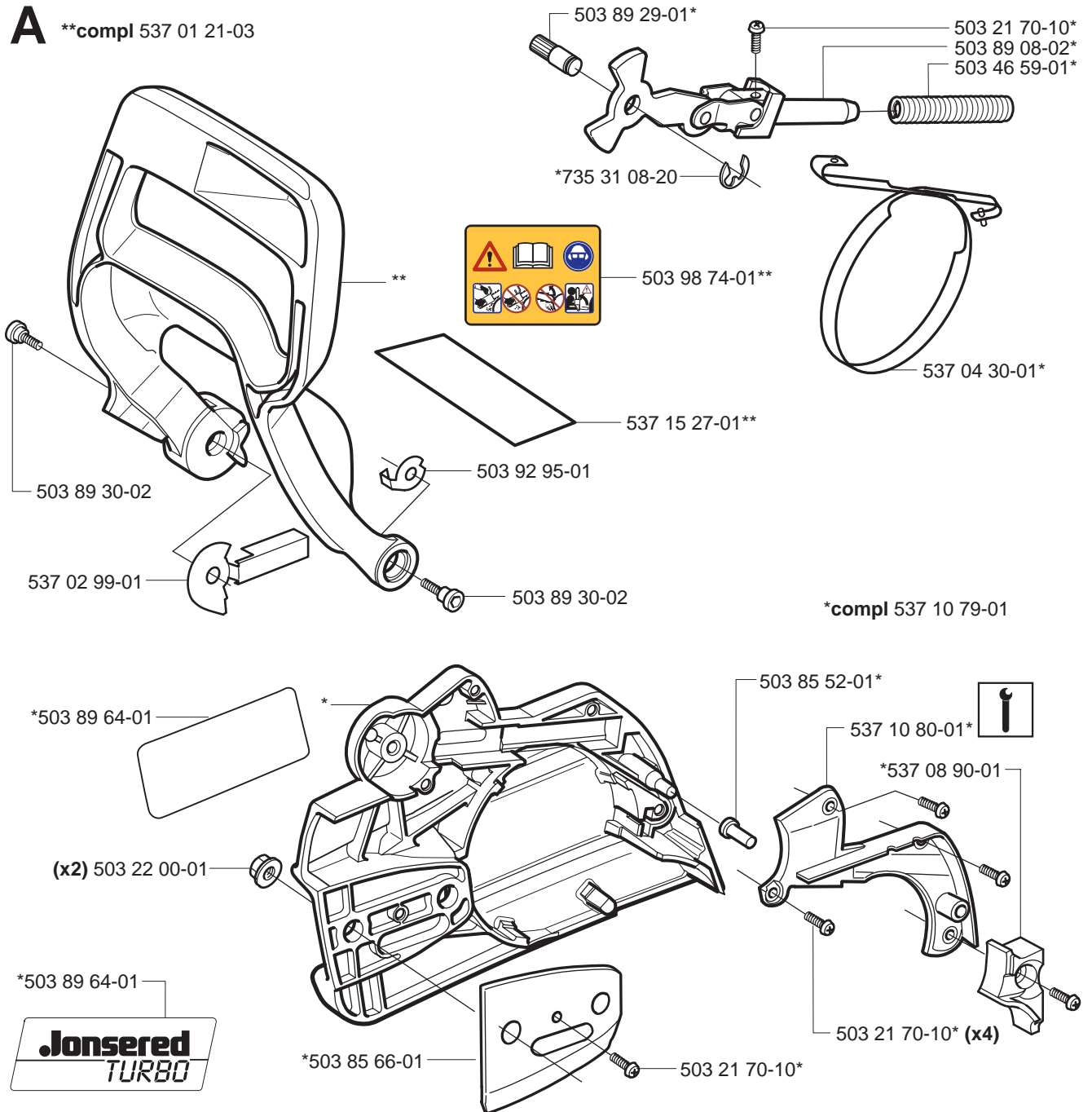
Reemplaza

Reservdelar

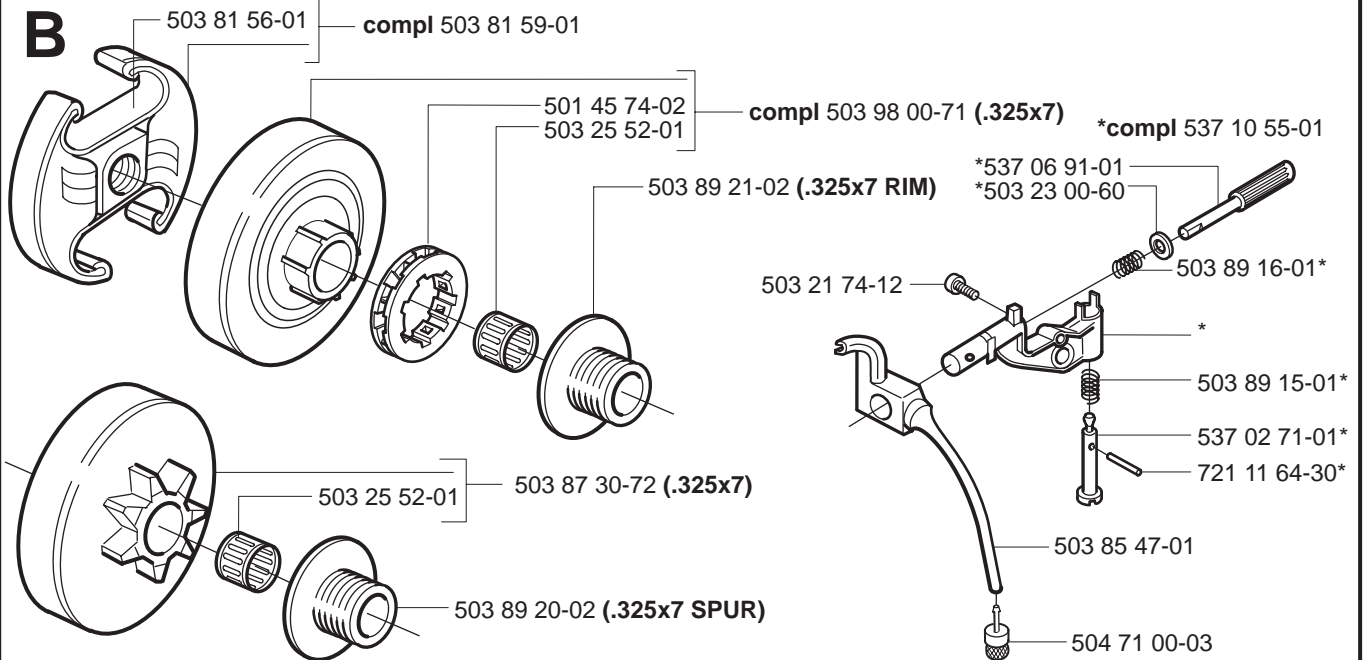
Ersätter

106 25 77-61

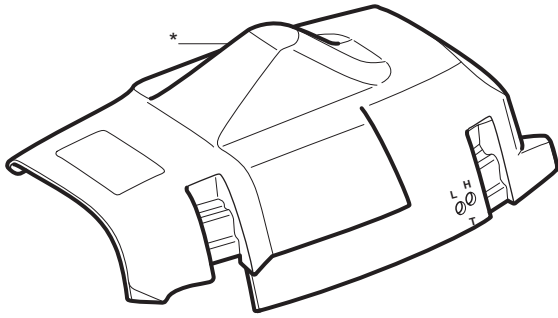
A **compl 537 01 21-03



B



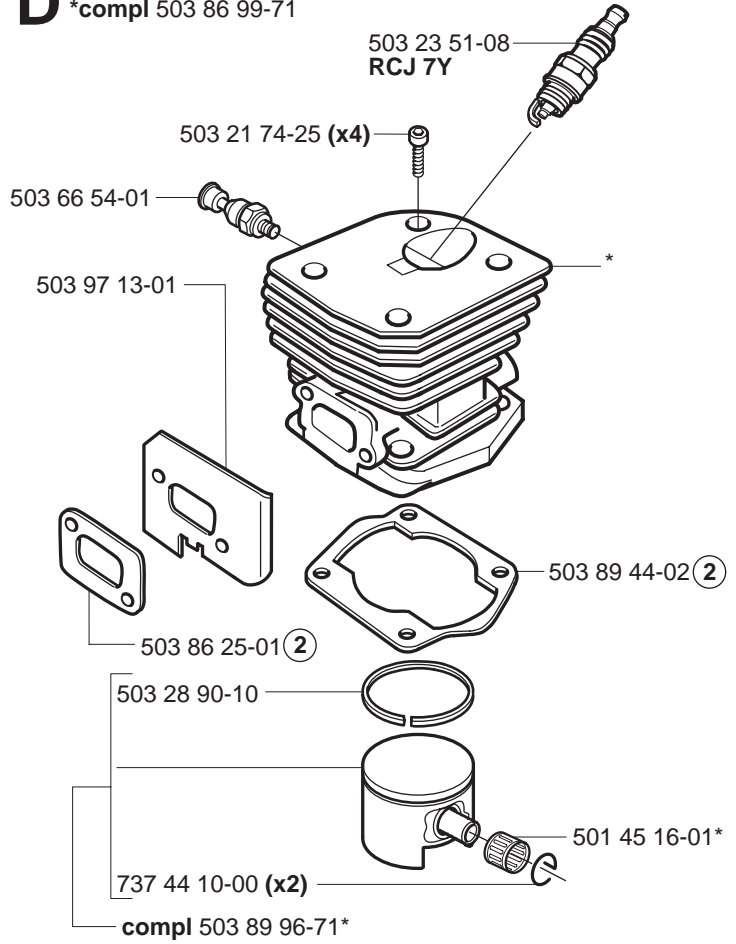
C *compl 537 03 32-02



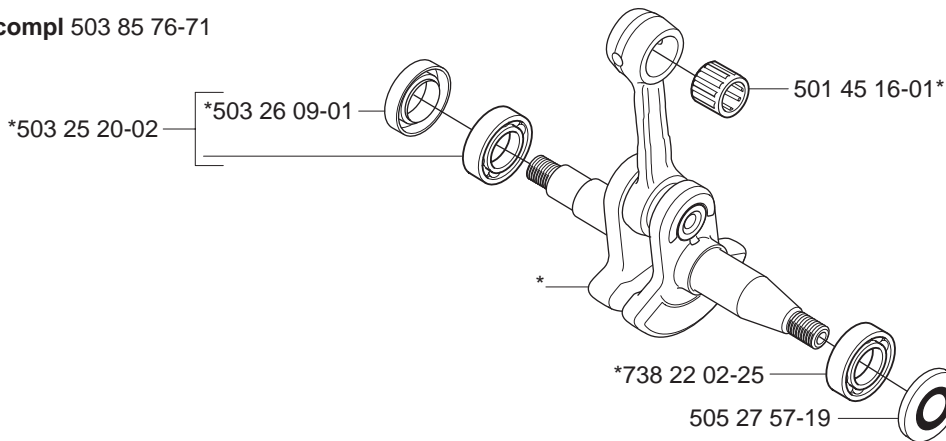
*501 63 97-01

503 84 59-01*

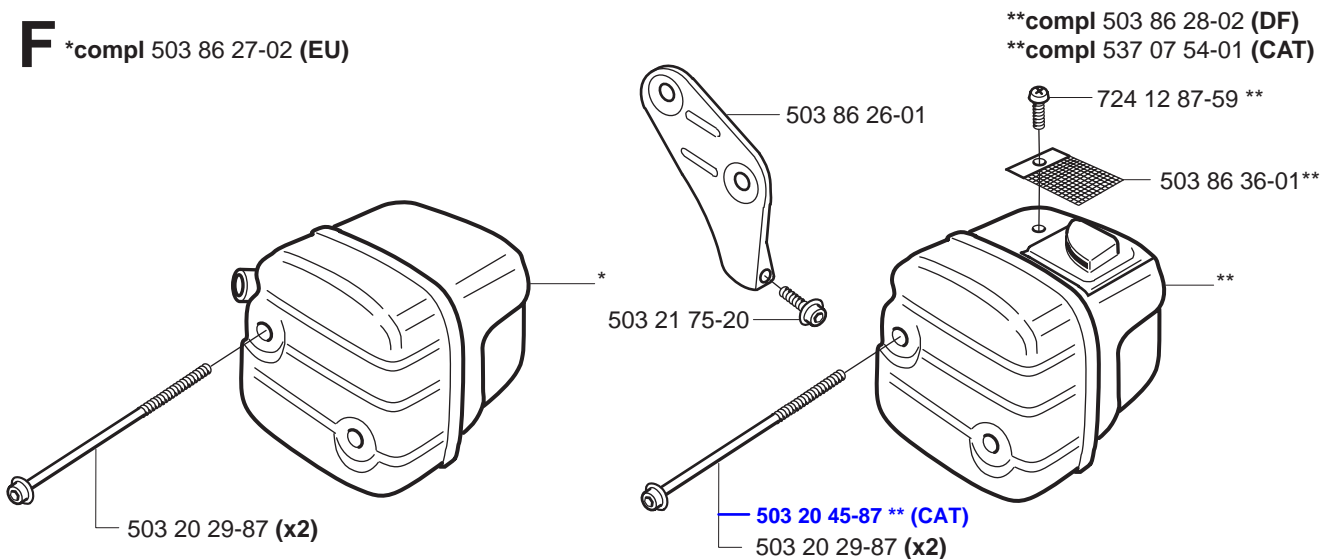
D *compl 503 86 99-71

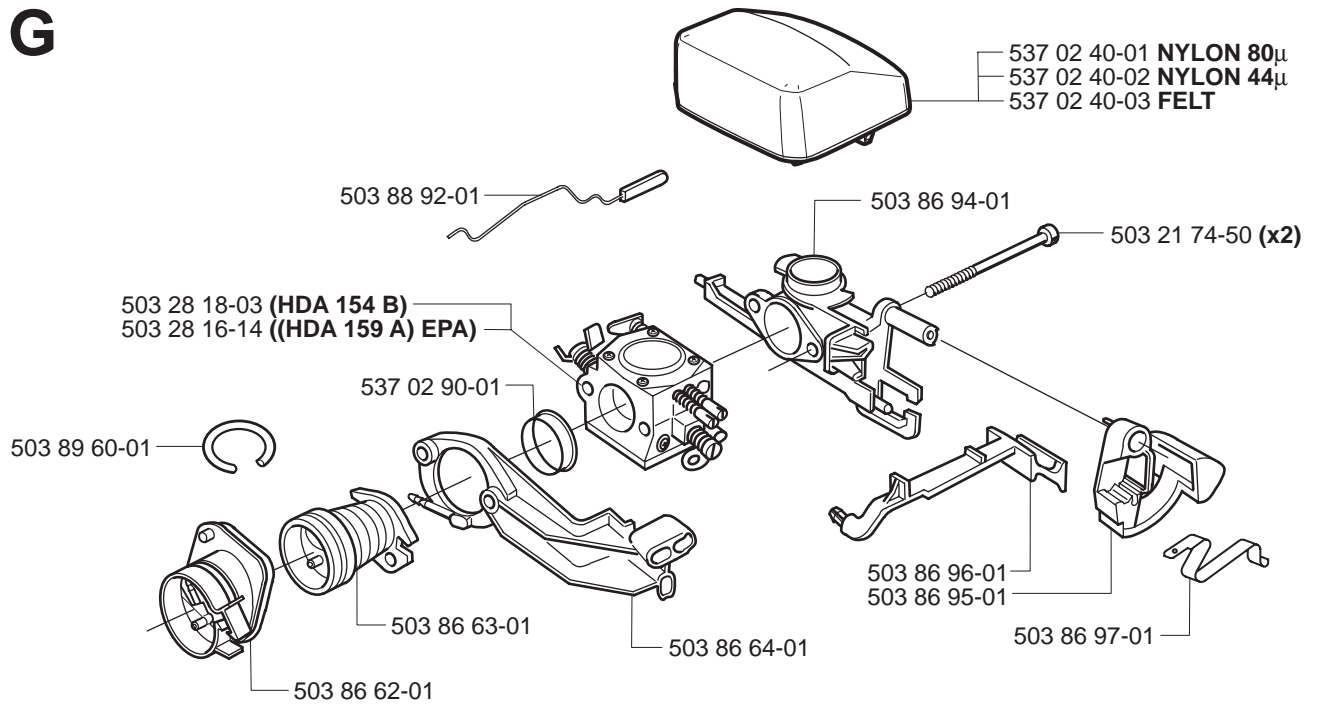
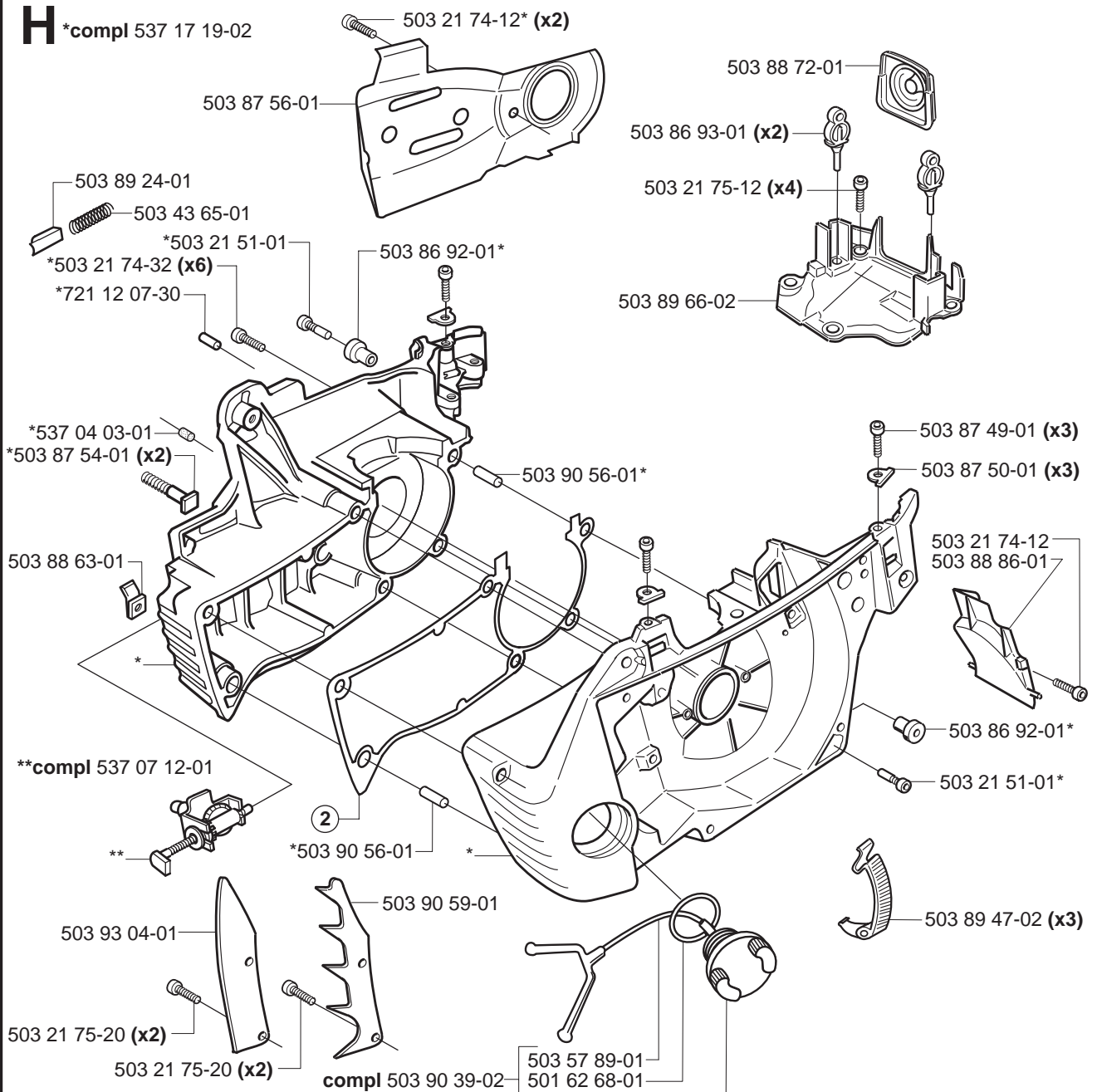


E *compl 503 85 76-71

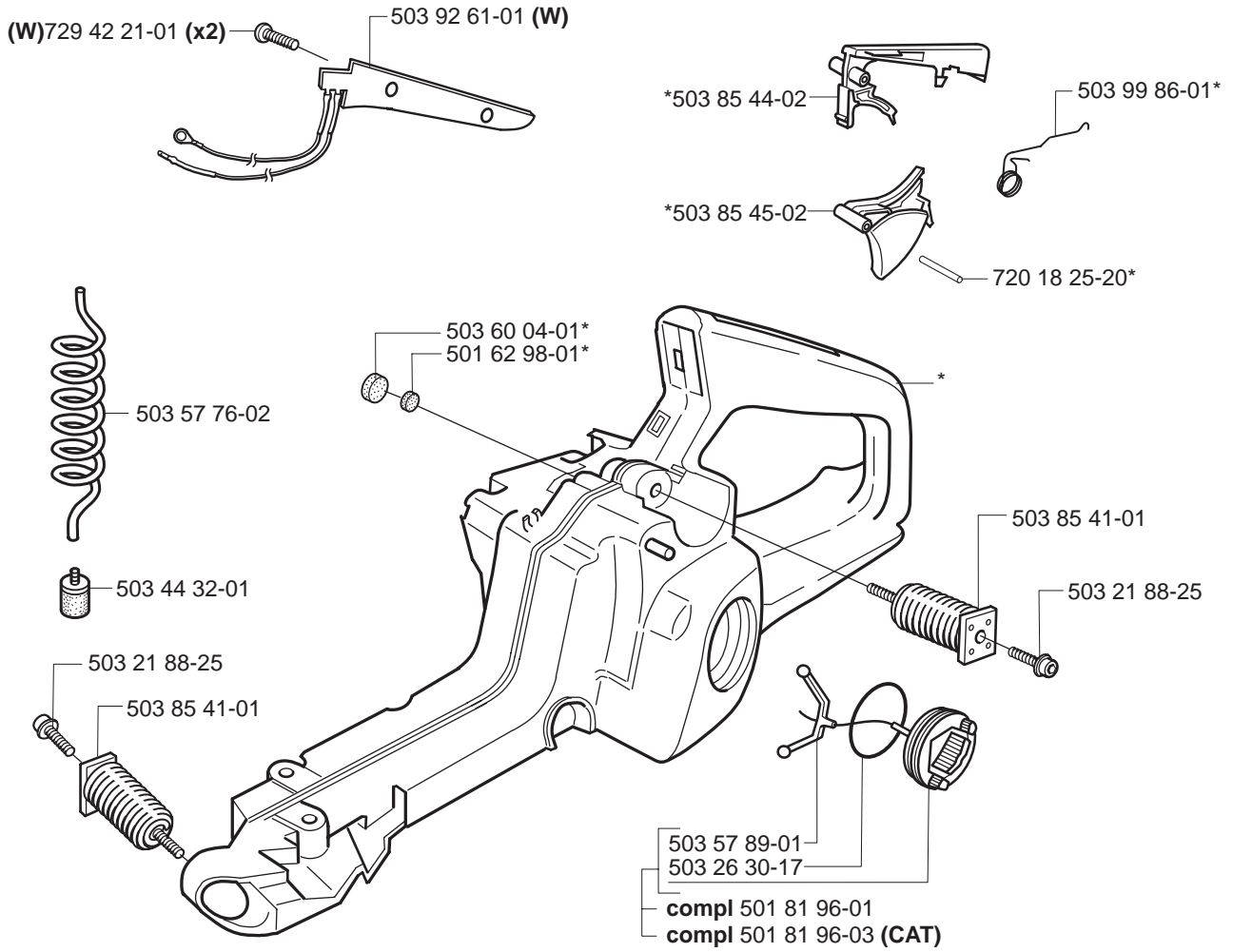


F *compl 503 86 27-02 (EU)

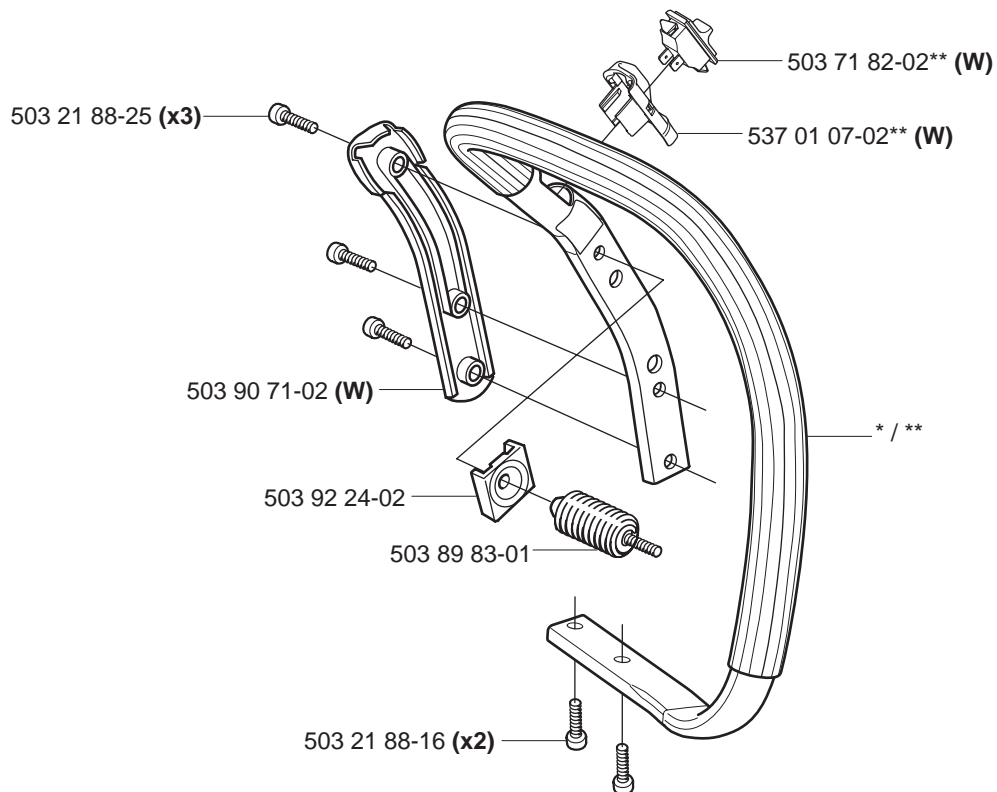


G**H*****compl 537 17 19-02**

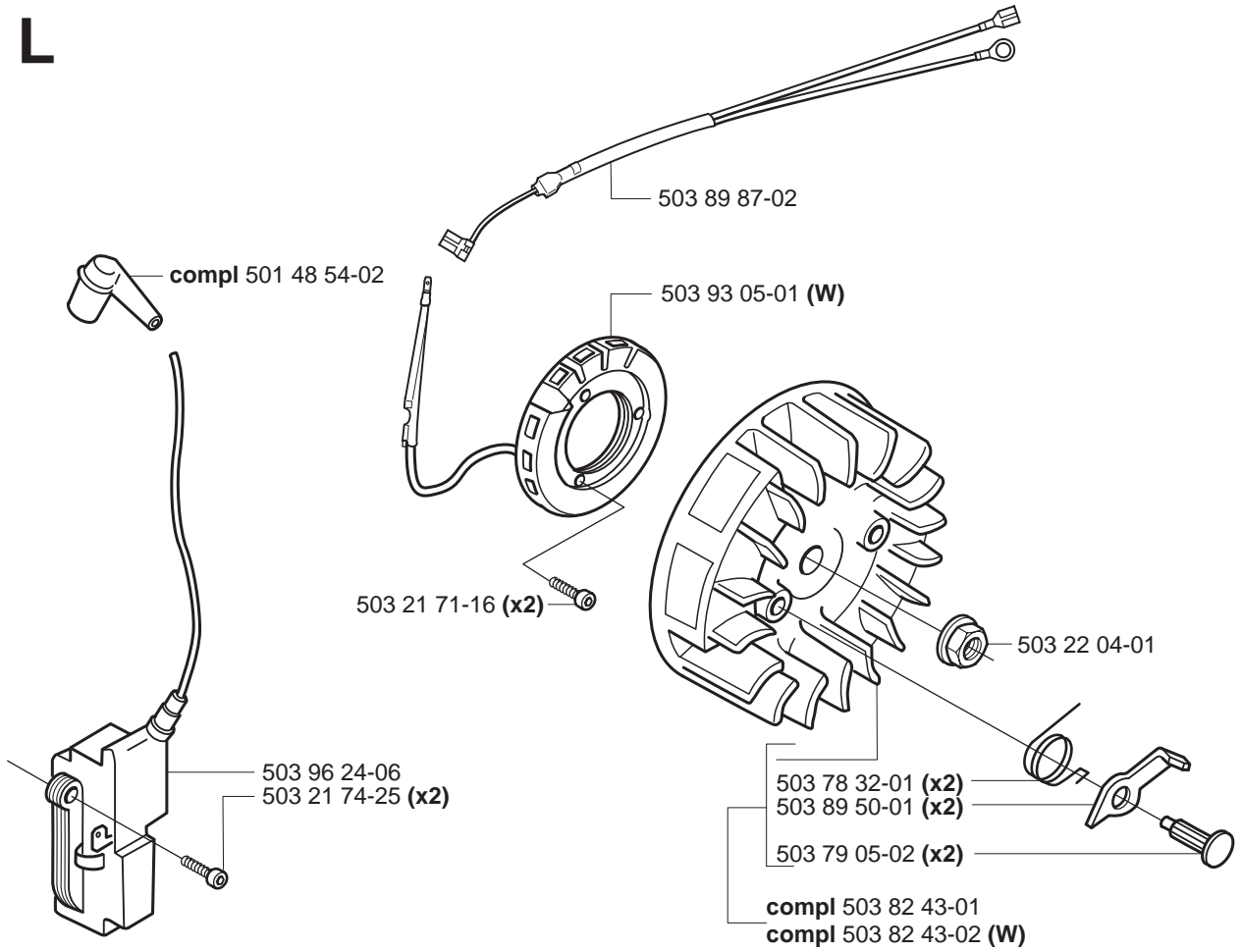
J *compl 503 86 37-72



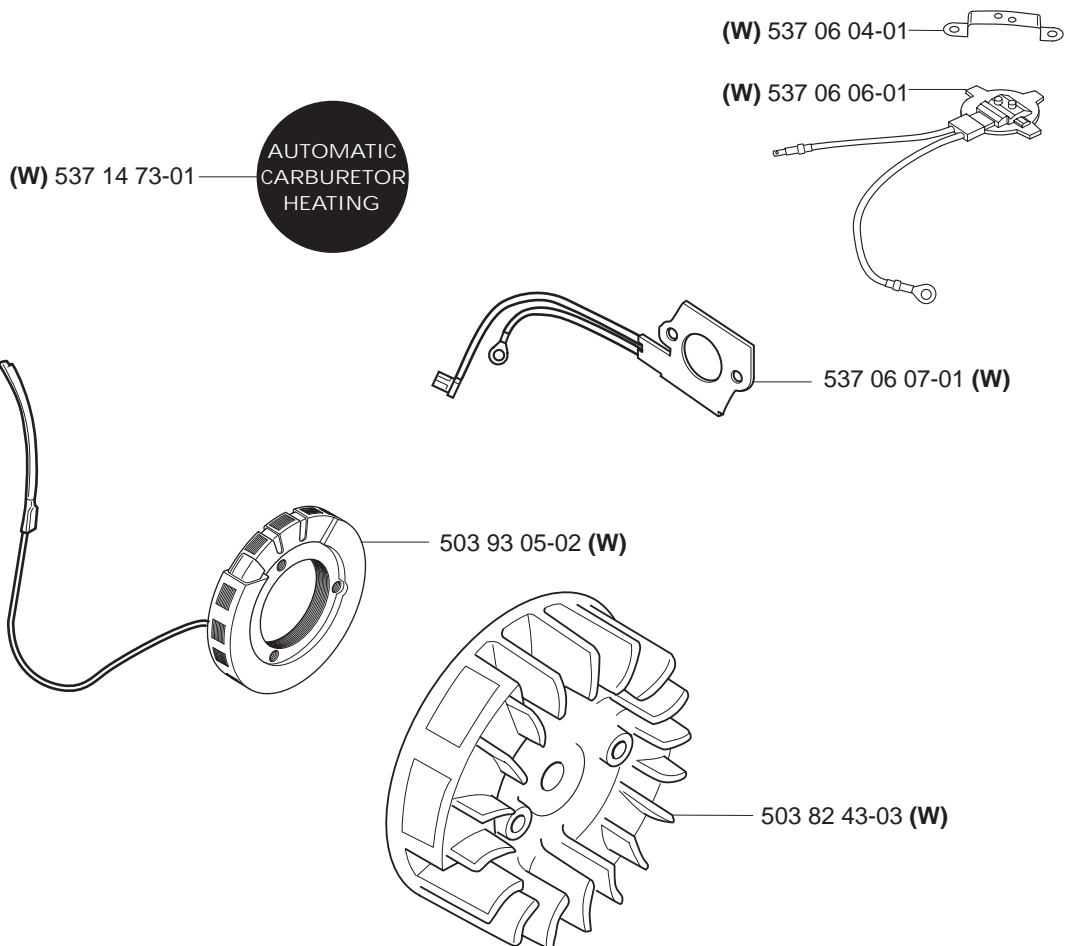
K *compl 503 98 98-01 **compl 503 98 98-02 (W)



L

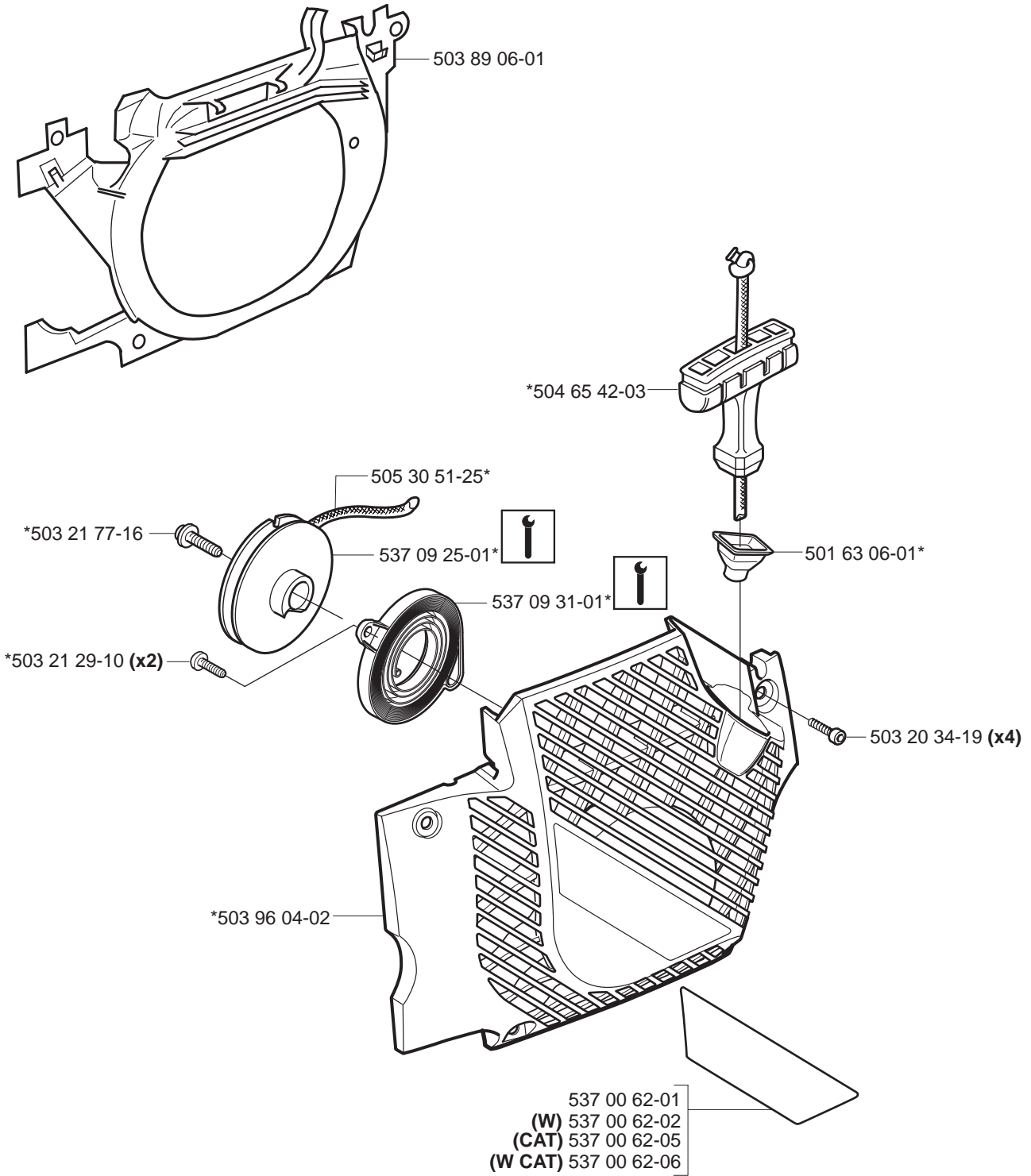


Heated carburettor

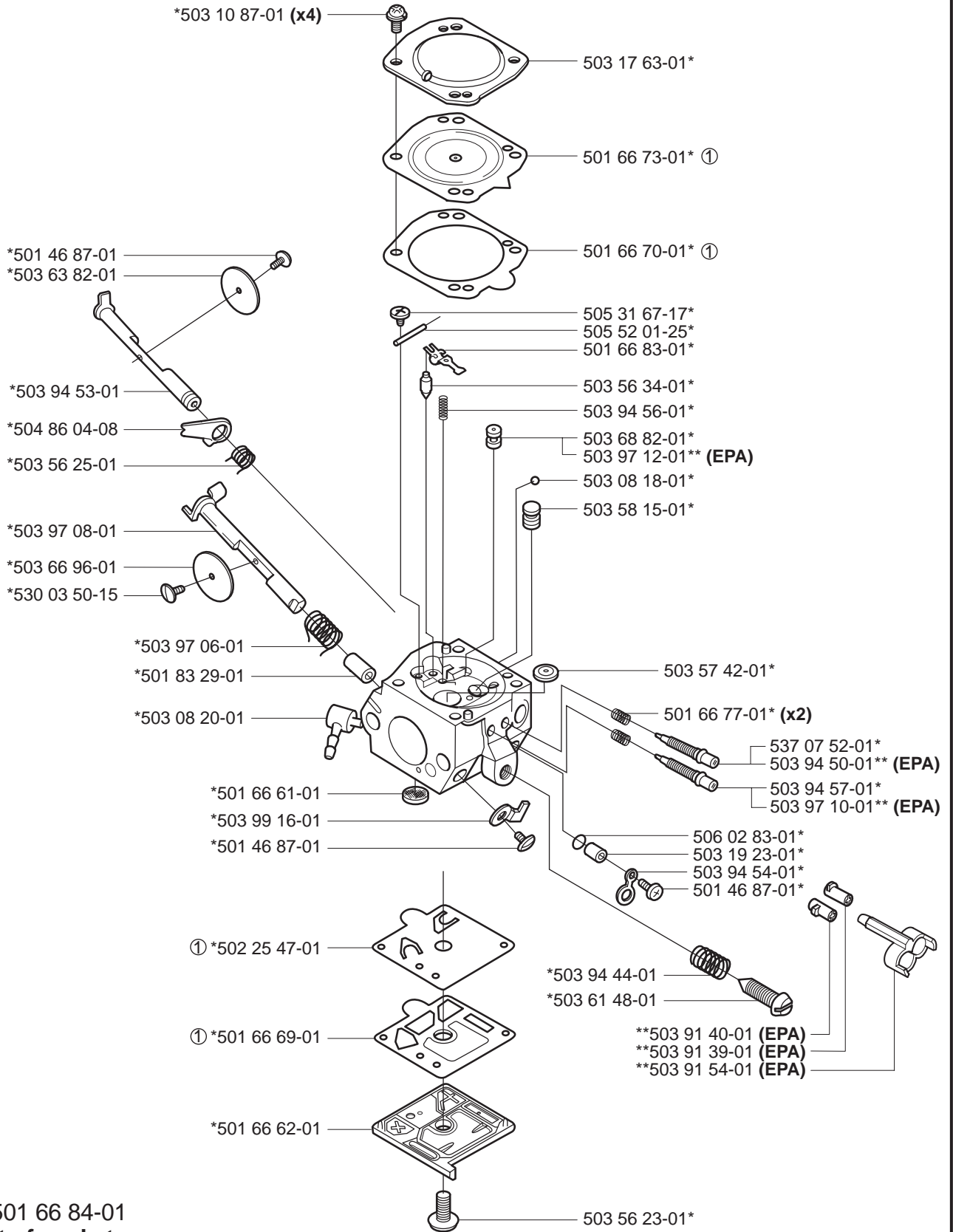


M

*compl 503 99 58-02



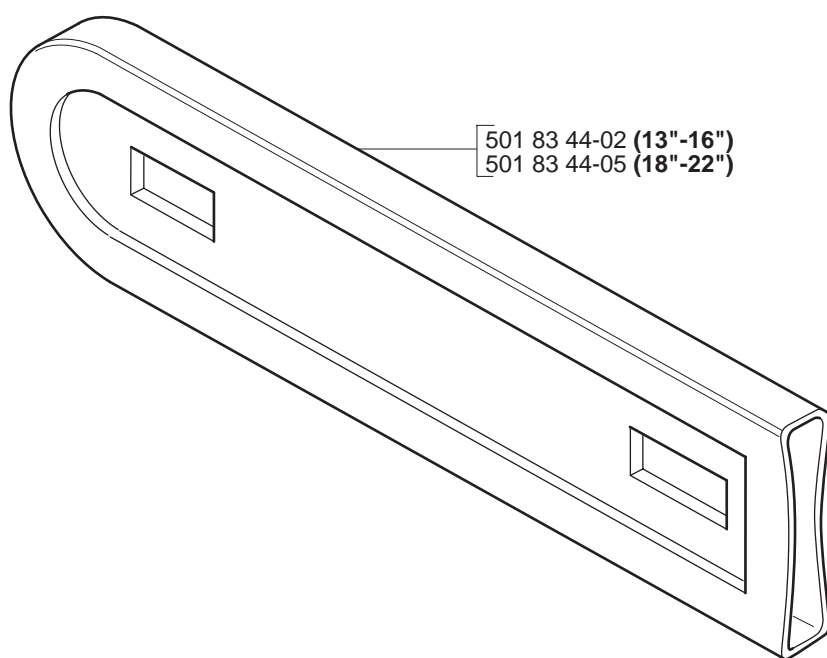
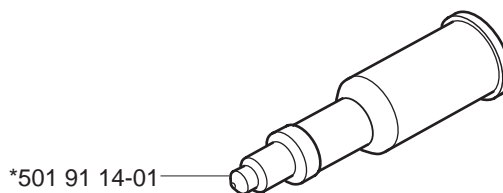
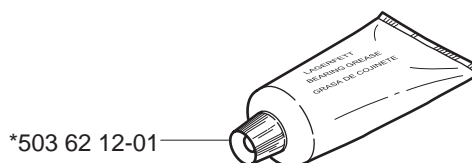
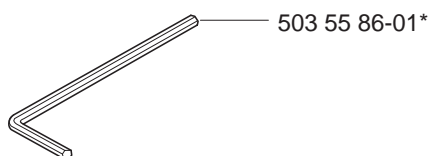
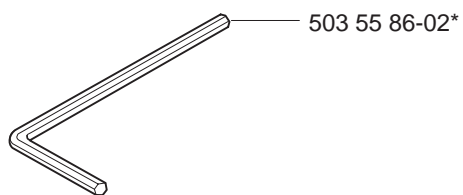
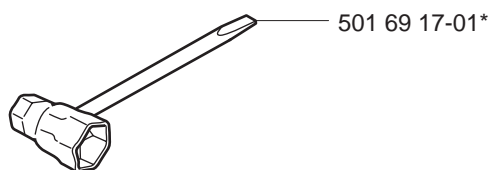
N *compl 503 28 18-03 Walbro HDA 154 C
 **compl 503 28 16-14 Walbro HDA 159 A (EPA)



① 501 66 84-01
Set of gaskets
Dichtungssatz
Jeu de joints
Juego de juntas
Packningssats

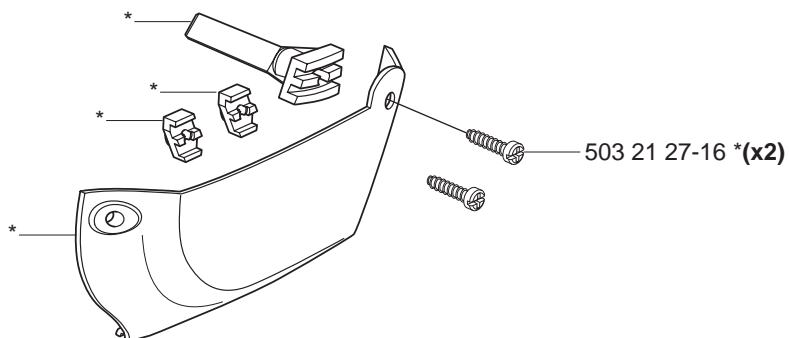
P Tillbehör
Accessories
Zubehöre
Accessoires
Accesorios

*compl 503 55 85-01



WINTER KIT

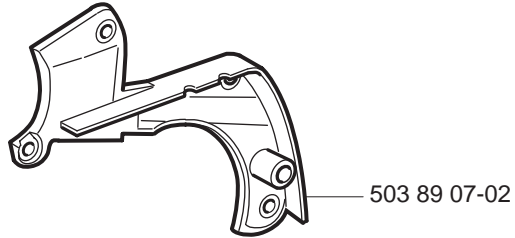
*compl 537 02 83-71



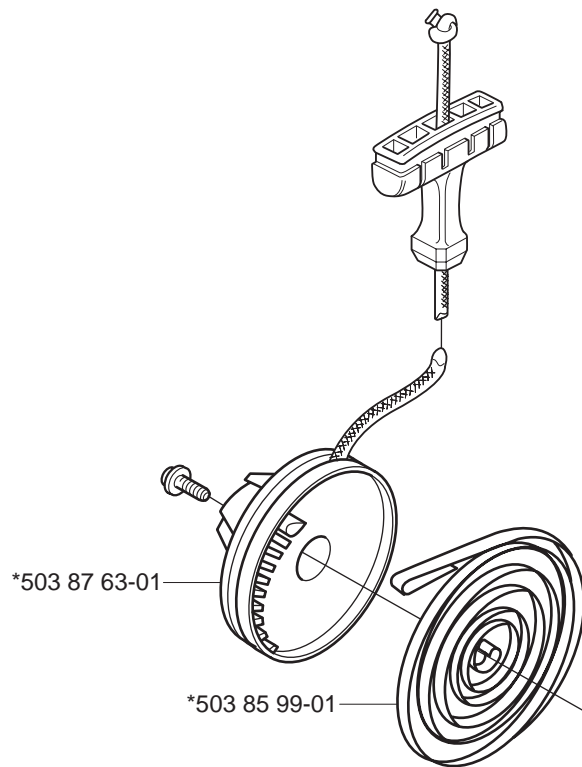
Q



Up to (1999) 991499999



Up to (2001) 013200001



PART NUMBER	SQUARE NOTE	PART NUMBER	SQUARE NOTE	PART NUMBER	SQUARE NOTE	PART NUMBER	SQUARE NOTE
501 45 16-01	D,E	503 61 48-01	N	503 90 59-01	H	537 14 73-01	L N
501 45 74-02	B	503 62 12-01	P	503 90 71-02	K	537 15 27-01	A
501 46 87-01	N N	503 63 82-01	N	503 91 39-01	N EPA	537 17 19-02	H N
501 48 54-02	L	503 66 54-01	D	503 91 40-01	N EPA	720 18 25-20	J N
501 62 68-01	H	503 66 96-01	N	503 91 54-01	N EPA	721 11 64-30	B
501 62 98-01	J	503 68 82-01	N N	503 92 24-02	K	721 12 07-30	H N
501 63 06-01	M N	503 71 82-02	K	503 92 61-01	J	724 12 87-59	F
501 63 97-01	C	503 78 32-01	L	503 92 95-01	A	729 42 21-01	J
501 66 61-01	N	503 79 05-02	L	503 93 04-01	H	735 31 08-20	A
501 66 62-01	N	503 81 56-01	B	503 93 05-01	L	737 44 10-00	D
501 66 69-01	N 1,N	503 81 59-01	B	503 93 05-02	L N	738 22 02-25	E
501 66 70-01	N 1	503 82 43-01	L	503 94 28-01	2=compl		
501 66 73-01	N 1	503 82 43-02	L	503 94 44-01	N		
501 66 77-01	N	503 82 43-03	L N	503 94 50-01	N EPA		
501 66 83-01	N N	503 84 59-01	C N	503 94 53-01	N		
501 66 84-01	N 1=compl	503 85 41-01	J	503 94 54-01	N		
501 69 17-01	P	503 85 44-02	J	503 94 56-01	N		
501 81 96-01	J	503 85 45-02	J	503 94 57-01	N		
501 81 96-03	J N	503 85 47-01	B	503 96 04-02	M N		
501 83 29-01	N	503 85 52-01	A	503 96 24-06	L N		
501 83 44-02	P	503 85 66-01	A	503 97 06-01	N		
501 83 44-05	P	503 85 76-71	E	503 97 08-01	N		
501 91 14-01	P	503 85 99-01	Q	503 97 10-01	N EPA		
502 25 47-01	N 1	503 86 25-01	D 2	503 97 12-01	N EPA		
503 08 18-01	N	503 86 26-01	F	503 97 13-01	D		
503 08 20-01	N	503 86 27-02	F	503 98 00-71	B N		
503 10 87-01	N	503 86 28-02	F	503 98 74-01	A		
503 17 63-01	N	503 86 36-01	F	503 98 98-01	K		
503 19 23-01	N	503 86 37-72	J	503 98 98-02	K		
503 20 29-87	F	503 86 62-01	G	503 99 16-01	N		
503 20 34-19	M	503 86 63-01	G	503 99 58-02	M N		
503 21 27-16	P	503 86 64-01	G	503 99 86-01	J		
503 21 29-10	M N	503 86 92-01	H	504 65 42-03	M		
503 21 51-01	H	503 86 93-01	H	504 71 00-03	B		
503 21 70-10	A	503 86 94-01	G	504 86 04-08	N		
503 21 71-16	L	503 86 95-01	G	505 27 57-19	E		
503 21 74-12	B,H	503 86 96-01	G	505 30 51-25	M		
503 21 74-25	D,L	503 86 97-01	G	505 31 67-17	N		
503 21 74-32	H	503 86 99-71	D	505 52 01-25	N		
503 21 74-50	G	503 87 30-72	B N	506 02 83-01	N		
503 21 75-12	H	503 87 49-01	H	530 03 50-15	N		
503 21 75-20	F,H	503 87 50-01	H	537 00 62-01	M		
503 21 77-16	M	503 87 54-01	H	537 00 62-02	M		
503 21 88-16	K	503 87 56-01	H	537 00 62-05	M N		
503 21 88-25	J,K	503 87 63-01	Q	537 00 62-06	M N		
503 22 00-01	A	503 88 63-01	H	537 01 07-02	K		
503 22 04-01	L N	503 88 72-01	H	537 01 21-03	A N		
503 23 00-60	B	503 88 86-01	H	537 02 40-01	G		
503 23 51-08	D	503 88 92-01	G	537 02 40-02	G		
503 25 20-02	E	503 89 06-01	M	537 02 40-03	G		
503 25 52-01	B	503 89 07-02	Q	537 02 71-01	B		
503 26 09-01	E N	503 89 08-02	A N	537 02 83-71	P		
503 26 30-17	J	503 89 15-01	B	537 02 90-01	G		
503 28 16-14	G,N EPA	503 89 16-01	B	537 02 99-01	A		
503 28 18-03	G,N	503 89 20-02	B	537 03 32-02	C N		
503 28 90-10	D	503 89 21-02	B	537 04 03-01	H		
503 43 65-01	H	503 89 24-01	H	537 04 30-01	A		
503 44 32-01	J	503 89 29-01	A	537 06 04-01	L N		
503 46 59-01	A	503 89 30-02	A N	537 06 06-01	L N		
503 55 85-01	P	503 89 44-02	D 2	537 06 07-01	L N		
503 55 86-01	P	503 89 47-02	H	537 06 91-01	B N		
503 55 86-02	P	503 89 50-01	L	537 07 12-01	H N		
503 56 23-01	N	503 89 60-01	G	537 07 52-01	N		
503 56 25-01	N	503 89 64-01	A N	537 07 54-01	F N		
503 56 34-01	N	503 89 66-02	H	537 08 90-01	A N		
503 57 42-01	N N	503 89 83-01	K	537 09 25-01	M N		
503 57 76-02	J	503 89 87-02	L	537 09 31-01	M N		
503 57 89-01	H,J	503 89 96-71	D	537 10 55-01	B N		
503 58 15-01	N	503 90 39-02	H	537 10 79-01	A N		
503 60 04-01	J	503 90 56-01	H	537 10 80-01	A N		

1 = 501 66 84-01 Set of gaskets
2 = 503 94 28-01 Dichtungssatz
Jeu de joints
Juego de juntas
Packningssats

N = New part
Neues teil
Nouvelle piece
Nueva pieza
Ny detalj