

2071, 2063 2071 EPA, 2063 EPA

Spare parts

Ersatzteile

Pièces détachées

Reserve onderdelen

Repuestos

Reservdelar

Replaces

Ersetzt

Remplace

Vervangt

Reemplaza

Ersätter

106 24 45-62

106 25 09-61

106 24 60-61

106 25 07-61

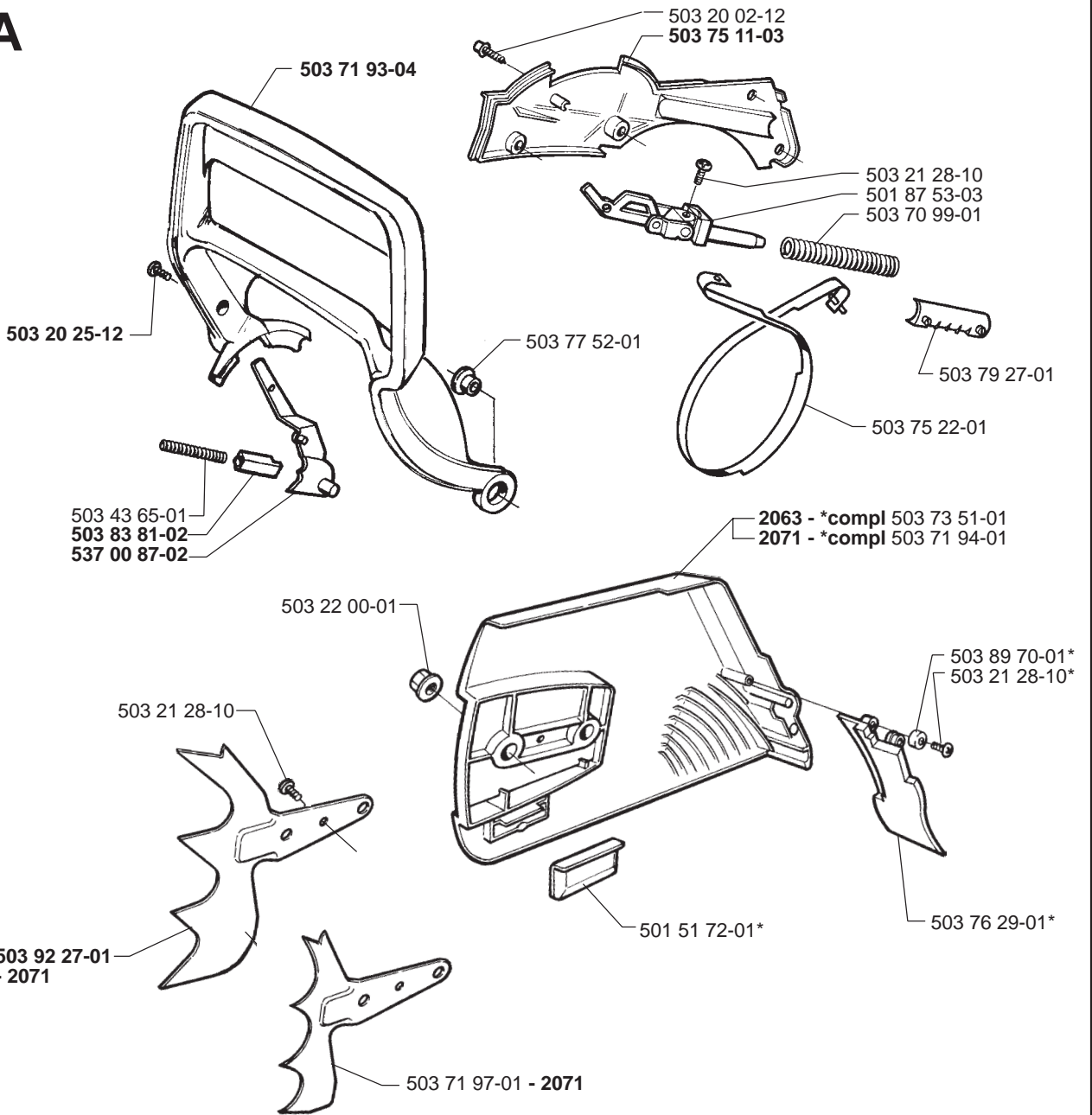
2071

2071 EPA

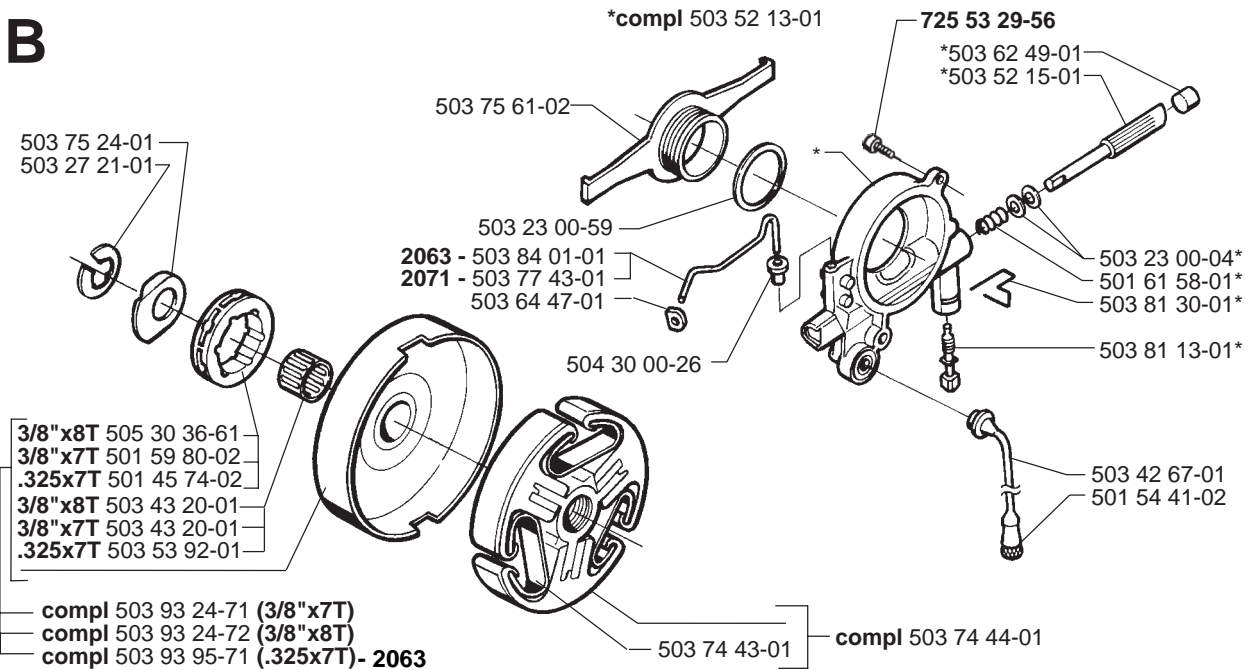
2063

2063 EPA

A

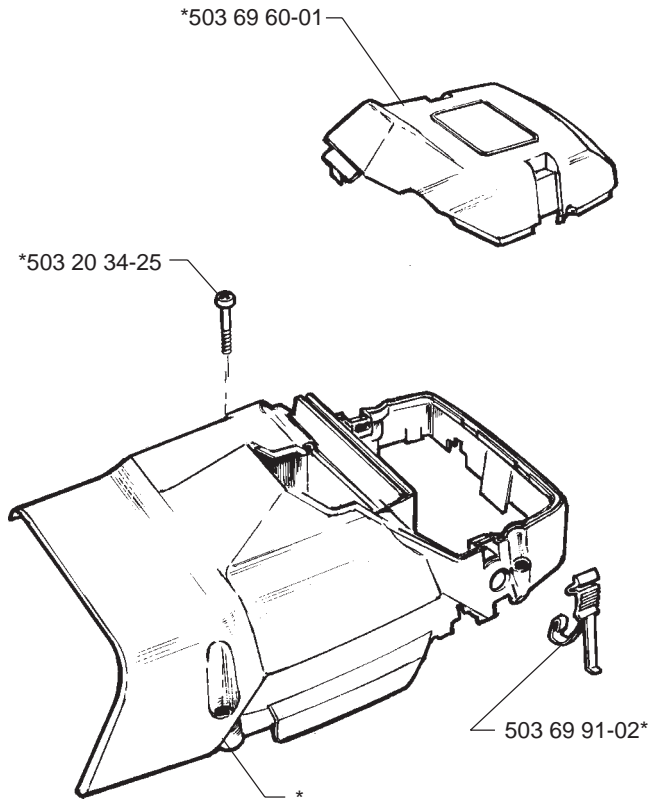


B

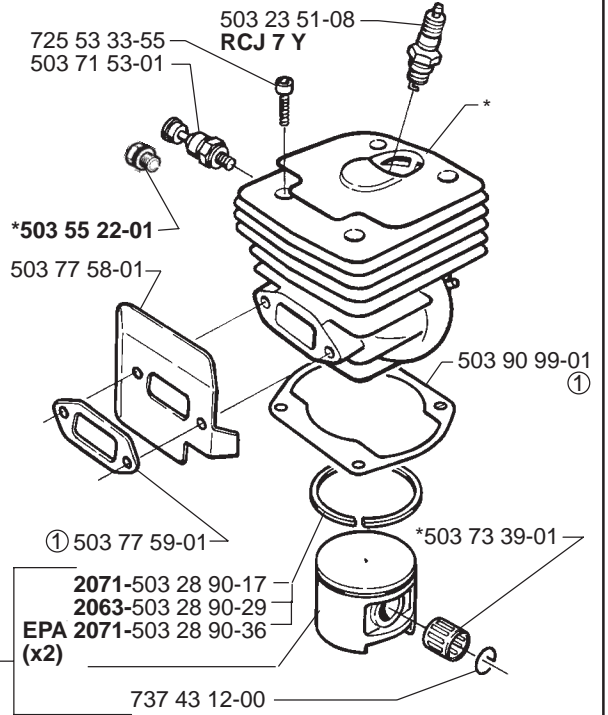


C

*compl 503 70 08-06

**D**

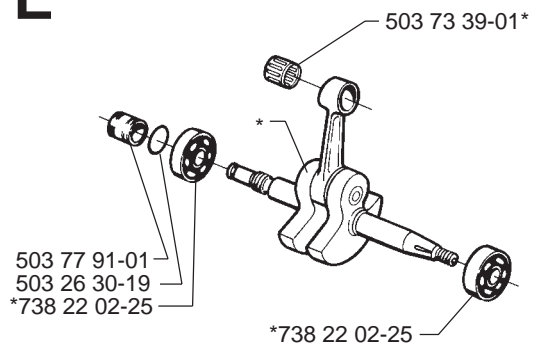
*compl 503 62 64-72 - 2071
 *compl 503 96 52-71 - 2063
 *compl 503 93 93-71 - 2071 EPA



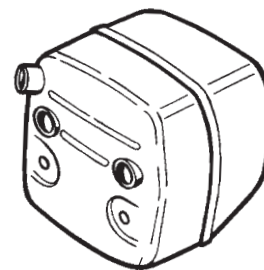
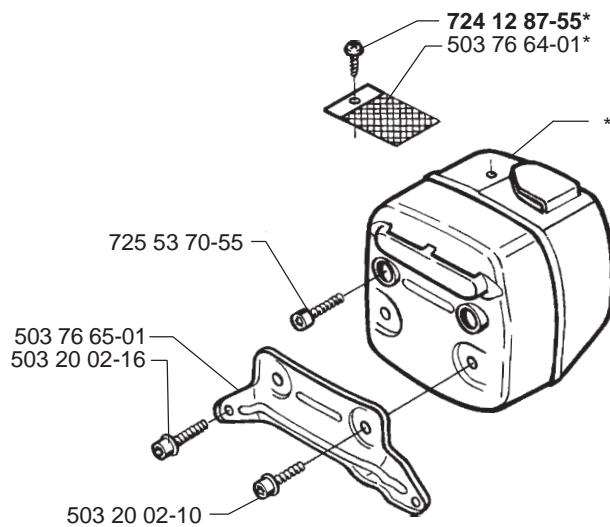
*compl 503 69 12-71 - 2071
 *compl 503 69 14-71 - 2063
 *compl 503 93 92-71 - 2071 EPA

E

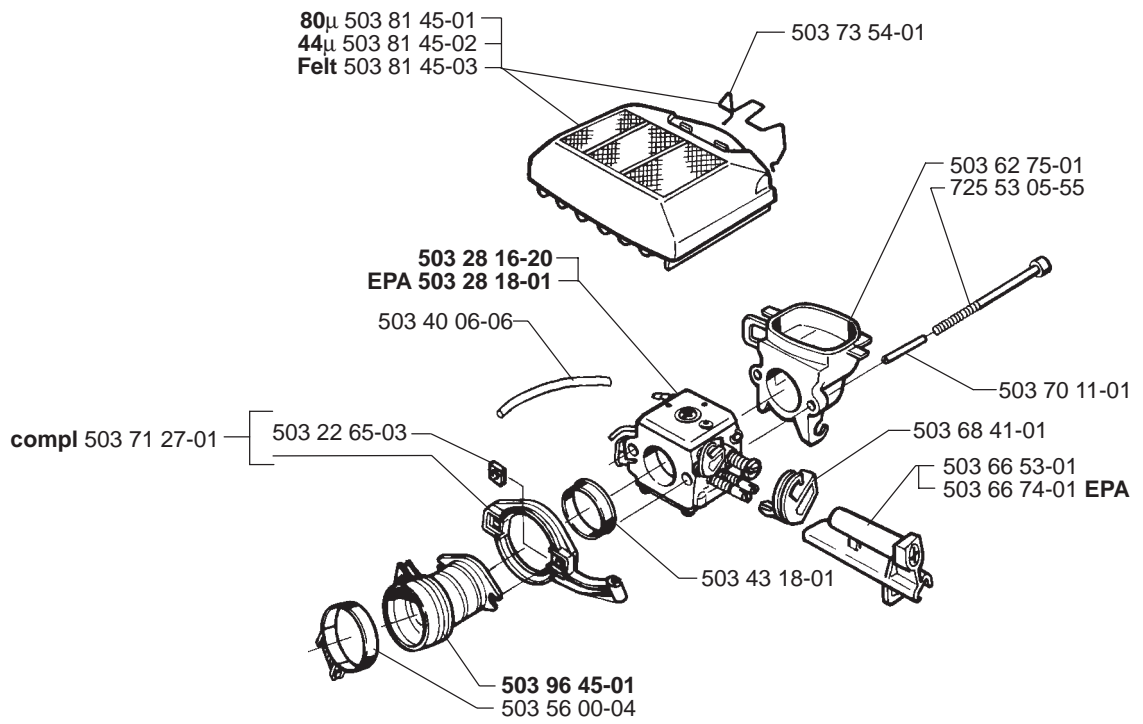
*compl 503 72 91-76

**F**

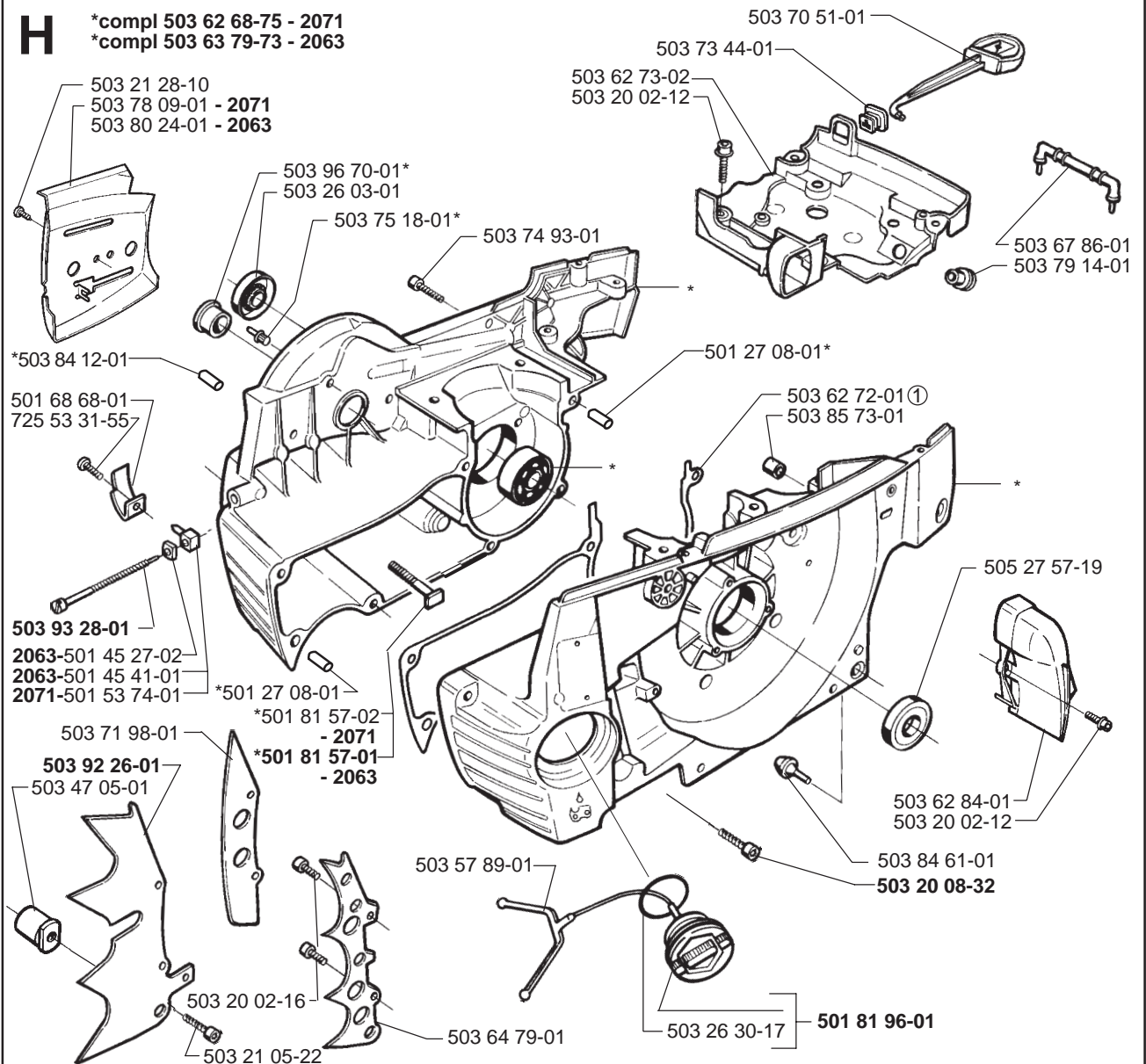
compl 503 76 52-01 FG
 *compl 503 76 54-02 DF



compl 503 76 53-01 STD
 compl 503 76 53-02 Jungle

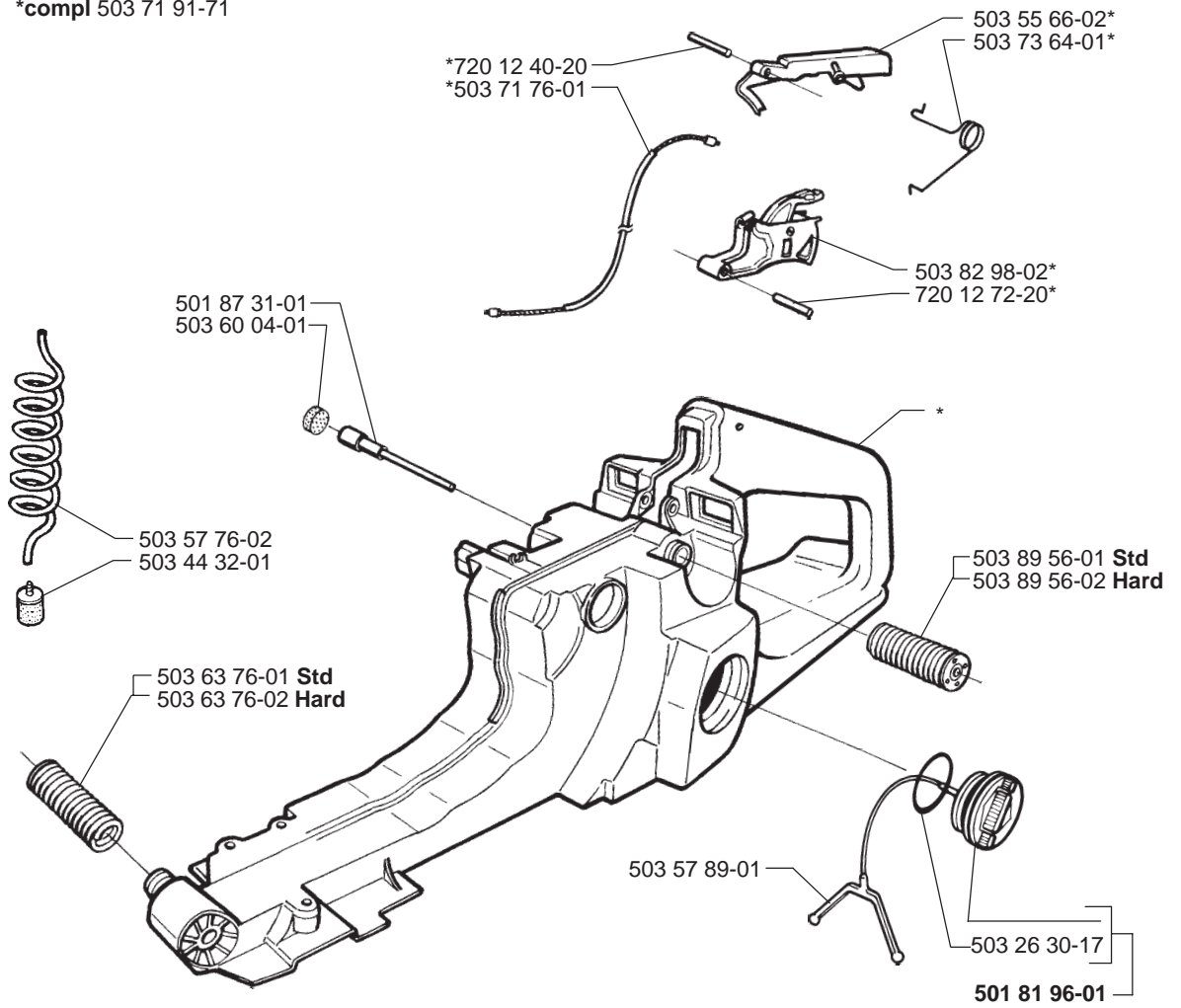
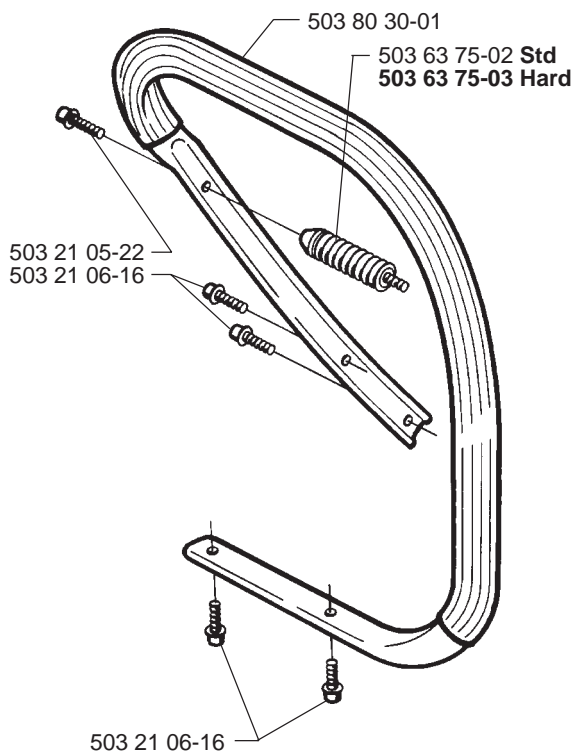
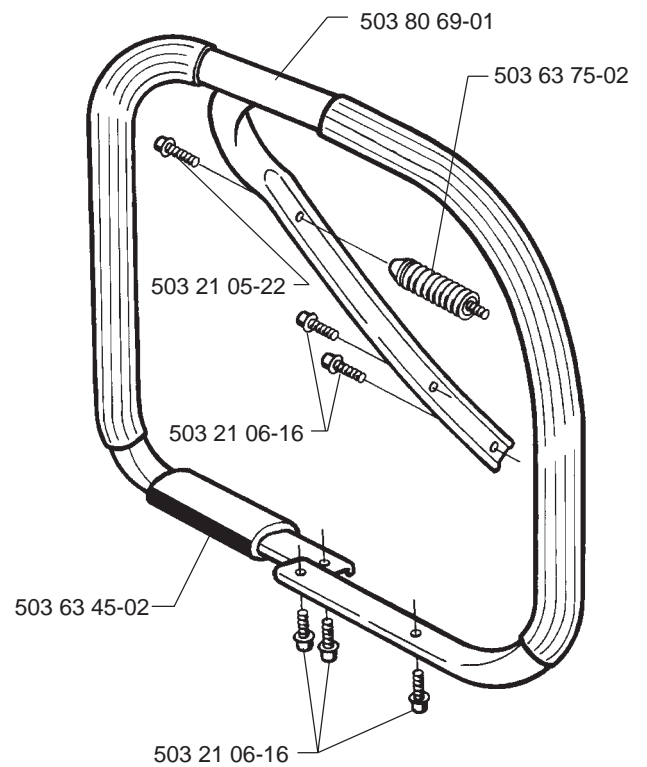
G**H**

*compl 503 62 68-75 - 2071
 *compl 503 63 79-73 - 2063

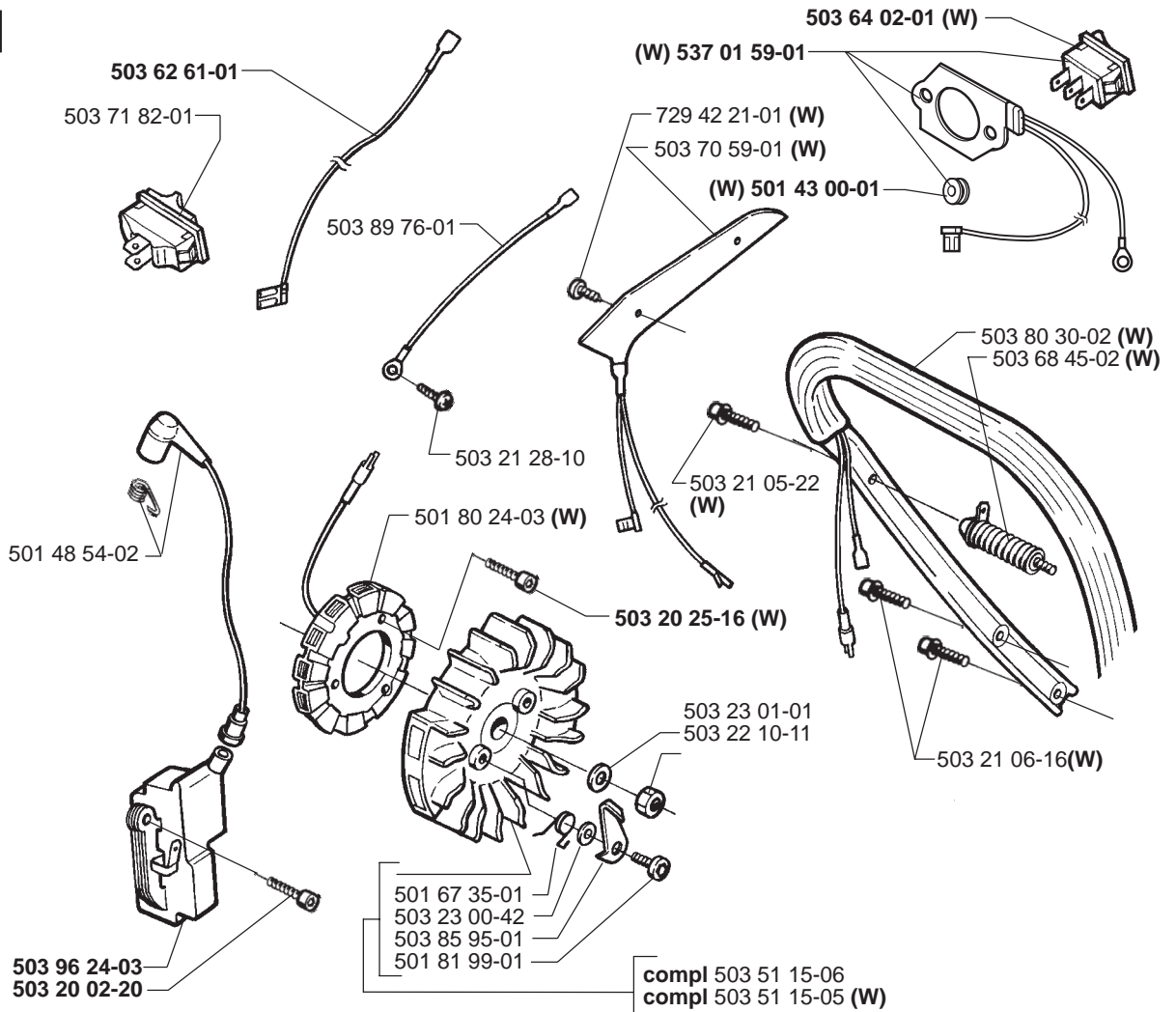


J

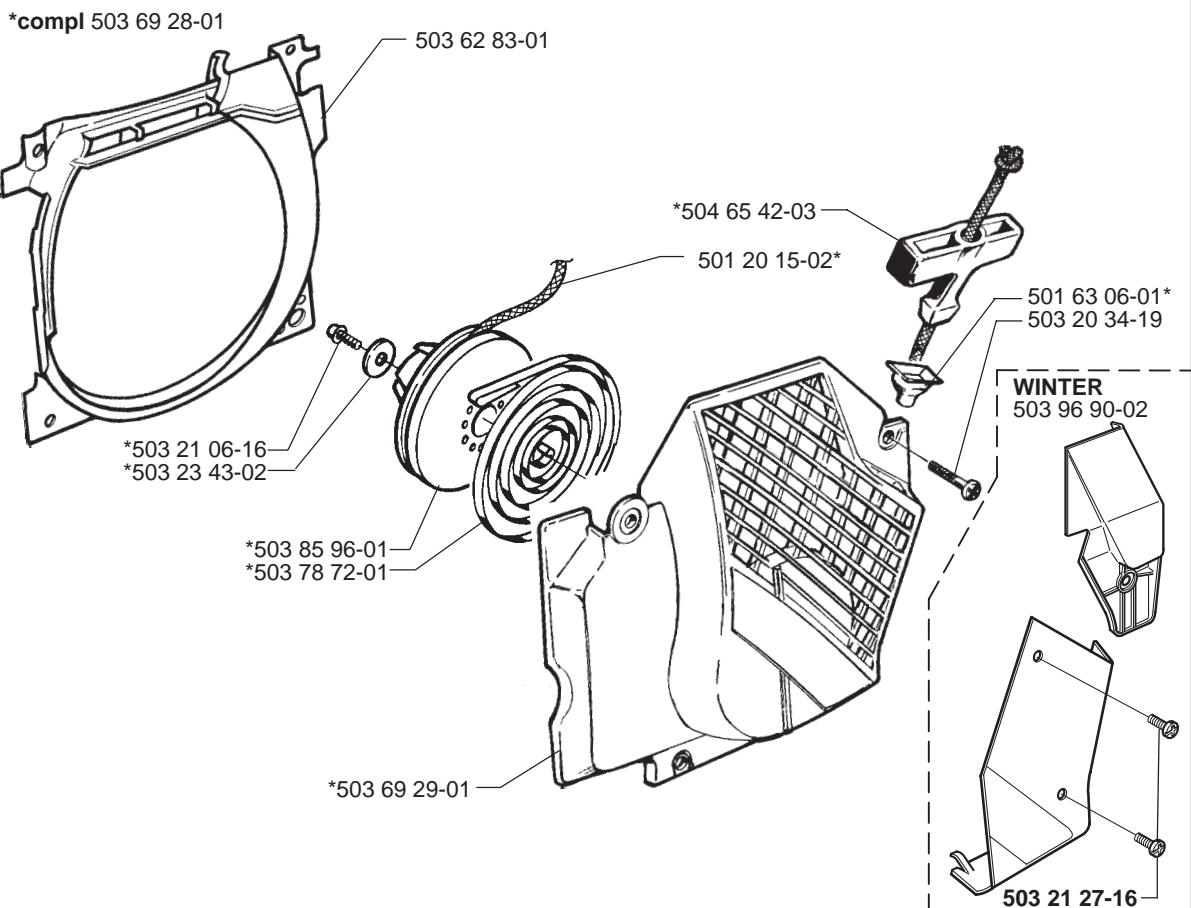
*compl 503 71 91-71

**K****L**

M

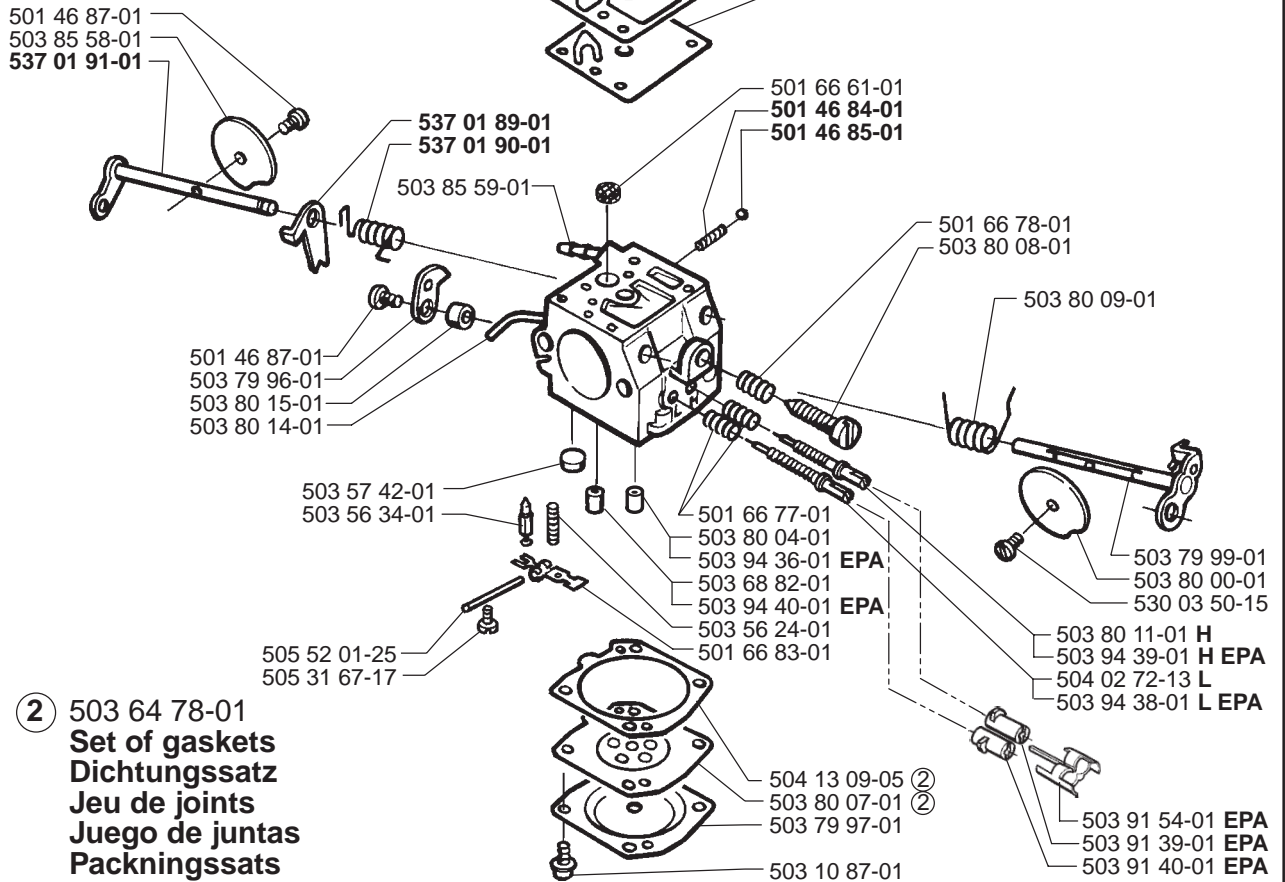


N



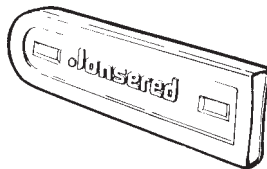
P compl 503 28 16-20
compl 503 28 18-01 EPA

Walbro HD-6 A Walbro HD-12 A EPA



Q Accessories Zubehöre Accessories Accessorios Tillbehör

13"-16" 501 83 44-02
18"-22" 501 83 44-05
24"-28" 501 83 45-02

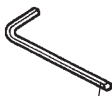


503 98 74-01

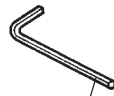


537 03 60-03

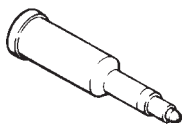
*compl 503 55 85-01



*503 55 86-01 NV4



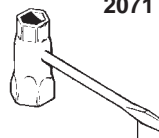
*503 55 86-02 NV5



*501 91 14-01



*503 62 12-01



*501 69 17-01



503 70 57-04



503 70 57-01



503 70 57-05



503 70 57-02



503 70 12-01



503 70 58-01



503 70 12-02



503 70 58-02

2063 - 537 03 61-17 EPA
2071 - 537 03 61-09 EPA

IMPORTANT ENGINE INFORMATION
Jonsered 2071 71cc
2071S 8759RA
JONSERED HUSKVARNA SWEDEN EM
THIS ENGINE CONFORMS TO U.S. EPA PH 1
EMISSION REGULATION FOR SMALL
NONROAD ENGINES. REFER TO OPERATOR'S
MANUAL FOR MAINTENANCE
SPECIFICATIONS AND ADJUSTMENTS.

537 03 44-01



2071, 2063, 2071 EPA, 2063 EPA

PART NUMBER	SQUARE	NOTE	PART NUMBER	SQUARE	NOTE	PART NUMBER	SQUARE	NOTE	PART NUMBER	SQUARE	NOTE
501 20 15-02	N		503 42 67-01	B		503 71 53-01	D		503 89 56-02	J	
501 27 08-01	H		503 43 18-01	G		503 71 76-01	J		503 89 70-01	A	
501 43 00-01	M	N	503 43 20-01	B		503 71 82-01	M		503 89 76-01	M	
501 45 27-02	H		503 43 65-01	A		503 71 91-71	J		503 90 99-01	D	1
501 45 41-01	H		503 44 32-01	J		503 71 93-04	A	N	503 91 39-01	P	EPA
501 45 74-02	B		503 47 05-01	H		503 71 94-01	A		503 91 40-01	P	EPA
501 46 69-01	P		503 51 15-05	M		503 71 97-01	A		503 91 54-01	P	EPA
501 45 84-01	P	N	503 51 15-06	M		503 71 98-01	H		503 92 26-01	H	N
501 46 85-01	P	N	503 52 13-01	B		503 72 91-76	E	N	503 92 27-01	A	N
501 46 87-01	P		503 52 15-01	B		503 73 39-01	DE		503 93 24-71	B	
501 48 54-02	M		503 53 92-01	B		503 73 44-01	H		503 93 24-72	B	
501 51 72-01	A		503 55 22-01	D	N	503 73 51-01	A		503 93 28-01	H	N
501 53 74-01	H		503 55 66-02	J		503 73 54-01	G		503 93 92-71	D	EPA
501 54 41-02	B		503 55 85-01	Q	N	503 73 64-01	J		503 93 93-71	D	EPA
501 59 80-02	B		503 55 86-01	Q		503 74 43-01	B		503 93 95-71	B	
501 61 58-01	B		503 55 86-02	Q		503 74 44-01	B		503 94 36-01	P	EPA
501 63 06-01	N		503 56 00-04	G		503 74 93-01	H		503 94 38-01	P	EPA
501 66 61-01	P		503 56 24-01	P		503 75 11-03	A	N	503 94 39-01	P	EPA
501 66 69-01	P	2	503 56 34-01	P		503 75 18-01	H		503 94 40-01	P	EPA
501 66 77-01	P		503 57 42-01	P		503 75 22-01	A		503 96 24-03	M	N
501 66 78-01	P		503 57 76-02	J		503 75 24-01	B		503 96 45-01	G	N
501 66 83-01	P		503 57 89-01	HJ		503 75 61-02	B		503 96 52-71	D	
501 67 35-01	M		503 60 04-01	J		503 76 29-01	A		503 96 70-01	H	
501 68 68-01	H		503 62 12-01	Q		503 76 52-01	F		503 96 90-02	N	
501 69 17-01	Q		503 62 49-01	B		503 76 53-01	F		503 98 74-01	Q	N
501 80 24-03	M		503 62 61-01	M	N	503 76 53-02	F		504 02 72-13	P	
501 81 57-01	H	N	503 62 64-72	D		503 76 54-02	F		504 13 09-05	P	2
501 81 57-02	H		503 62 68-75	H	N	503 76 64-01	F		504 30 00-26	B	
501 81 96-01	HJ	N	503 62 72-01	H	1	503 76 65-01	F		504 65 42-03	N	
501 81 99-01	M		503 62 73-02	H		503 77 43-01	B		505 27 57-19	H	
501 83 44-02	Q		503 62 75-01	G		503 77 52-01	A		505 30 36-61	B	
501 83 44-05	Q		503 62 83-01	N		503 77 58-01	D	1	505 31 67-17	P	
501 83 45-02	Q		503 62 84-01	H		503 77 59-01	D		505 52 01-25	P	
501 87 31-01	J		503 63 45-02	L		503 77 91-01	E		530 03 50-15	P	
501 87 53-03	A		503 63 75-02	KL		503 78 09-01	H		537 00 87-02	A	N
501 91 14-01	Q		503 63 75-03	K	N	503 78 72-01	N		537 01 59-01	M	N
502 25 47-01	P	2	503 63 76-01	J		503 79 14-01	H		537 01 89-01	P	N
503 10 87-01	P		503 63 76-02	J		503 79 27-01	A		537 01 90-01	P	N
503 20 02-10	F		503 63 79-73	H	N	503 79 96-01	P		537 01 91-01	P	N
503 20 02-12	AH		503 64 02-01	M	N	503 79 97-01	P		537 03 44-01	Q	N
503 20 02-16	FH		503 64 47-01	B		503 79 98-01	P		537 03 60-03	Q	N
503 20 02-20	M	N	503 64 72-01	DH	1 COMPL	503 79 99-01	P		537 03 61-09	Q	N
503 20 08-32	H	N	503 64 78-01	P	2 COMPL	503 80 00-01	P		537 03 61-17	Q	N
503 20 25-12	A	N	503 64 79-01	H		503 80 04-01	P		720 12 40-20	J	
503 20 25-16	M	N	503 66 53-01	G		503 80 07-01	P	2	720 12 72-20	J	
503 20 34-19	N		503 66 74-01	G	EPA	503 80 08-01	P		724 12 87-55	F	N
503 20 34-25	C		503 67 86-01	H		503 80 09-01	P		725 53 05-55	G	
503 21 05-22	HKLM		503 68 41-01	G		503 80 11-01	P		725 53 29-56	B	N
503 21 06-16	KLMN		503 68 45-02	M		503 80 14-01	P		725 53 31-55	H	
503 21 27-16	N	N	503 68 82-01	P		503 80 15-01	P		725 53 33-55	D	
503 21 28-10	AHM		503 69 12-71	D		503 80 24-01	H		725 53 70-55	F	
503 22 00-01	A		503 69 14-71	D		503 80 30-01	K		729 42 21-01	M	
503 22 10-11	M		503 69 28-01	N		503 80 30-02	M		737 43 12-00	D	
503 22 65-03	G		503 69 29-01	N		503 80 69-01	L		738 22 02-25	E	
503 23 00-04	B		503 69 60-01	C		503 81 13-01	B				
503 23 00-42	M		503 69 91-02	C		503 81 30-01	B				
503 23 00-59	B		503 70 08-06	C		503 81 45-01	G				
503 23 01-01	M		503 70 11-01	G		503 81 45-02	G				
503 23 43-02	N		503 70 12-01	Q		503 81 45-03	G				
503 23 51-08	D		503 70 12-02	Q		503 82 98-02	J				
503 26 03-01	H		503 70 51-01	H		503 83 81-02	A	N			
503 26 30-17	HJ		503 70 57-01	Q		503 84 01-01	B				
503 26 30-19	E		503 70 57-02	Q		503 84 12-01	H				
503 27 21-01	B		503 70 57-04	Q		503 84 61-01	H				
503 28 16-20	GP	N	503 70 57-05	Q		503 85 58-01	P				
503 28 18-01	GP	N	503 70 58-01	Q		503 85 59-01	P				
503 28 90-17	D		503 70 58-02	Q		503 85 73-01	H				
503 28 90-29	D		503 70 59-01	M		503 85 95-01	M				
503 28 90-36	D	EPA	503 70 99-01	A		503 85 96-01	N				
503 40 06-06	G		503 71 27-01	G		503 89 56-01	J				

1= 503 64 72-01 Set of gaskets
 2= 503 64 78-01 Dichtungssatz
 Jeu de joints
 Packningssats

N= New part
 Neues teil
 Nouvelle piece
 Nueva pieza

EPA= Environmental Protection Agency