

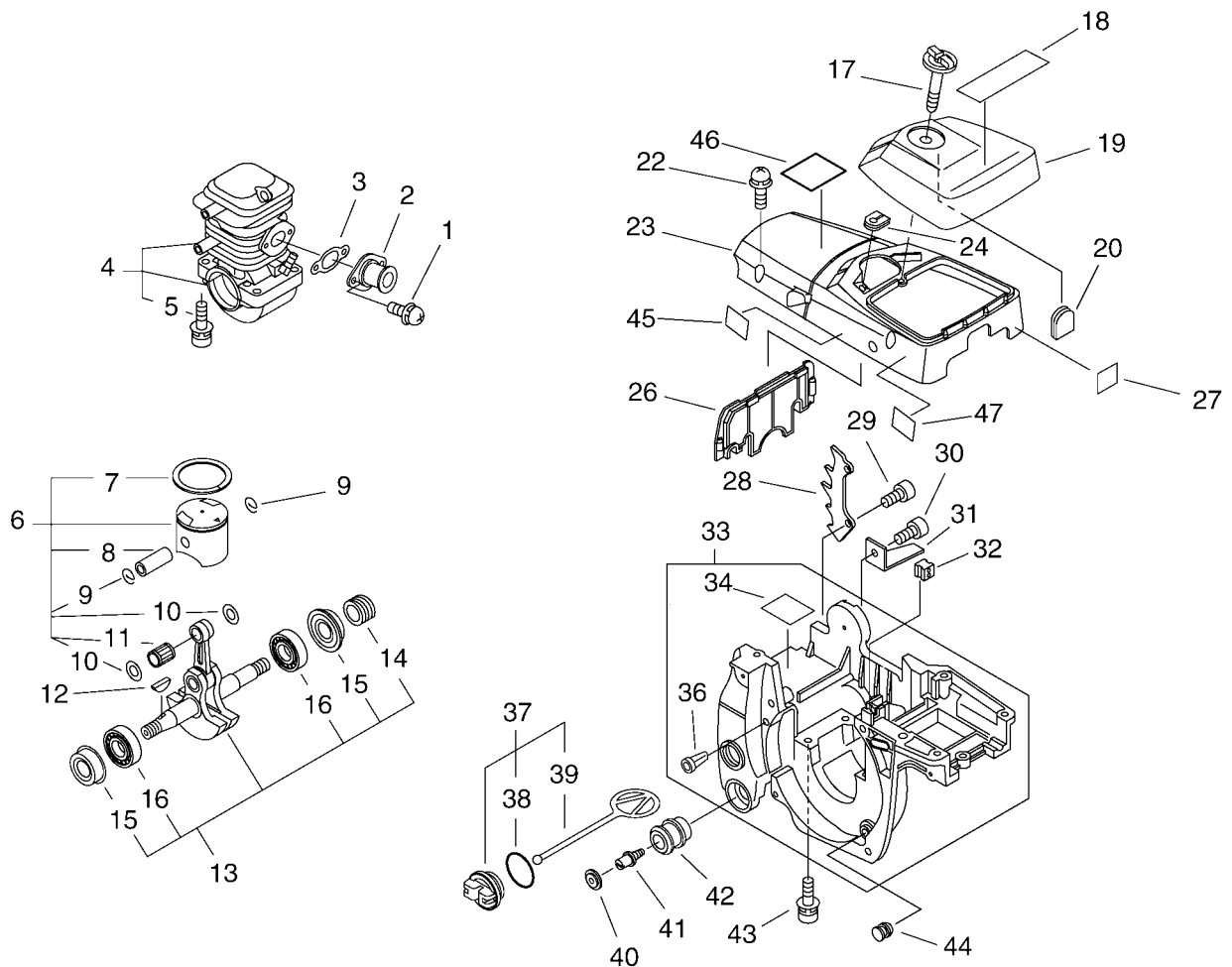


PARTS CATALOGUE

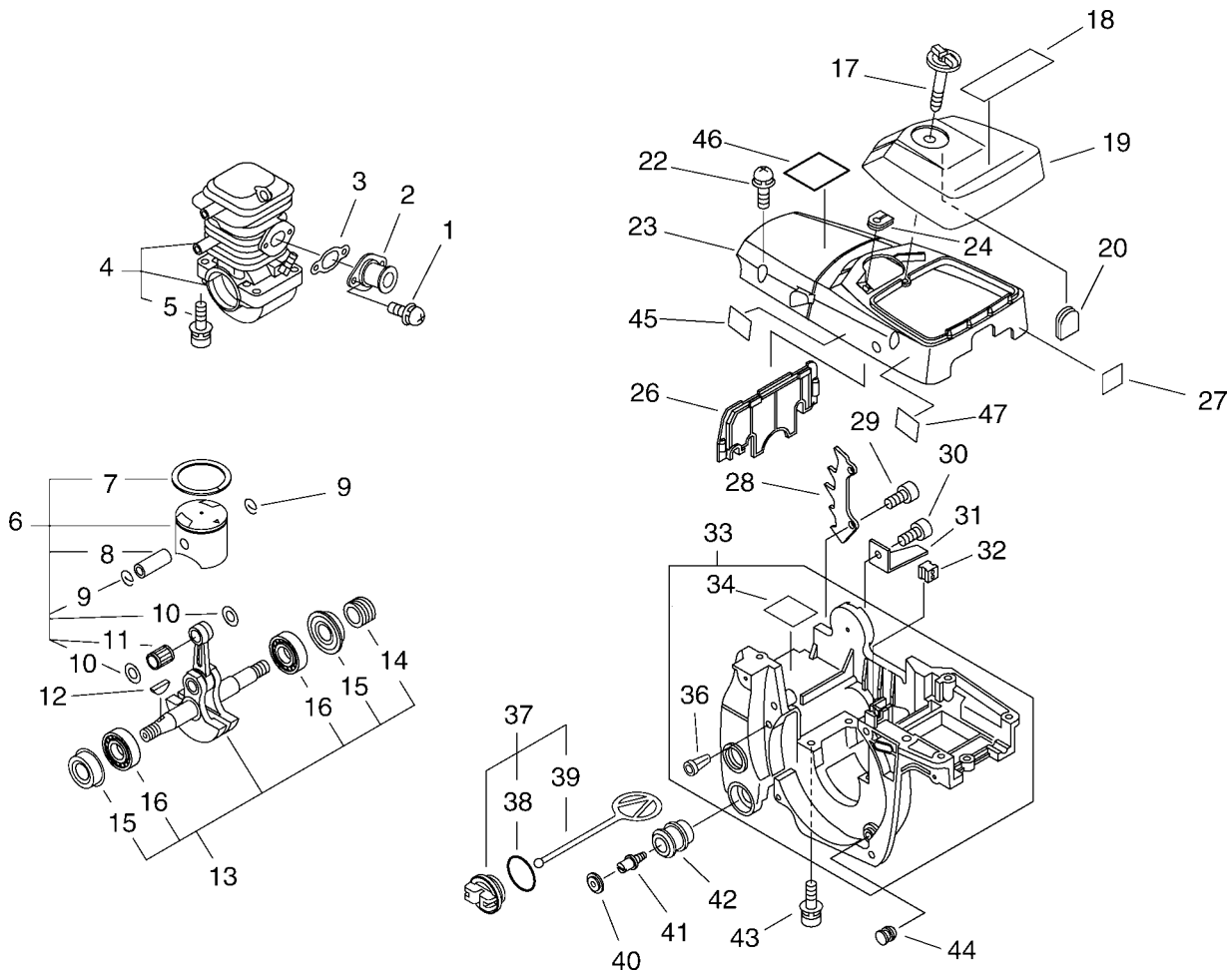
CHAIN SAW

CS-420ES

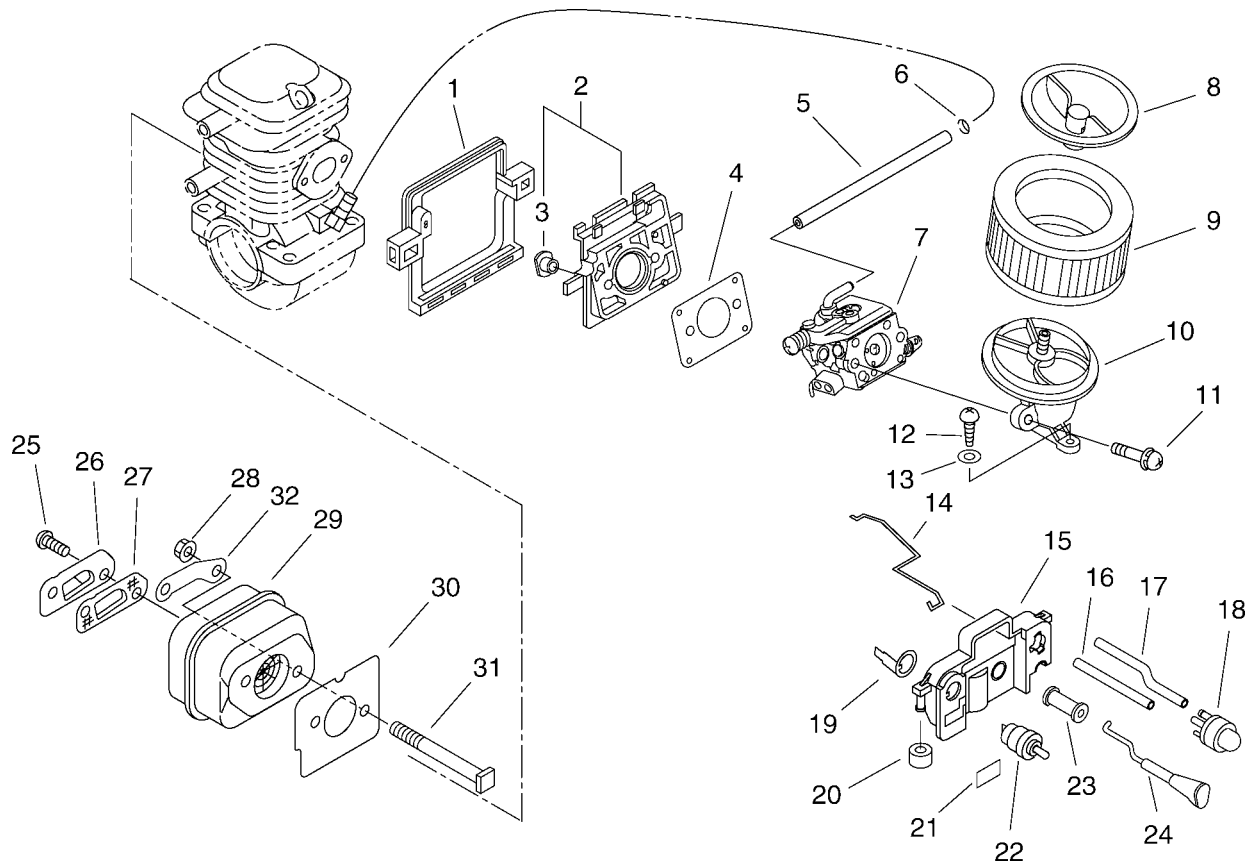
CE



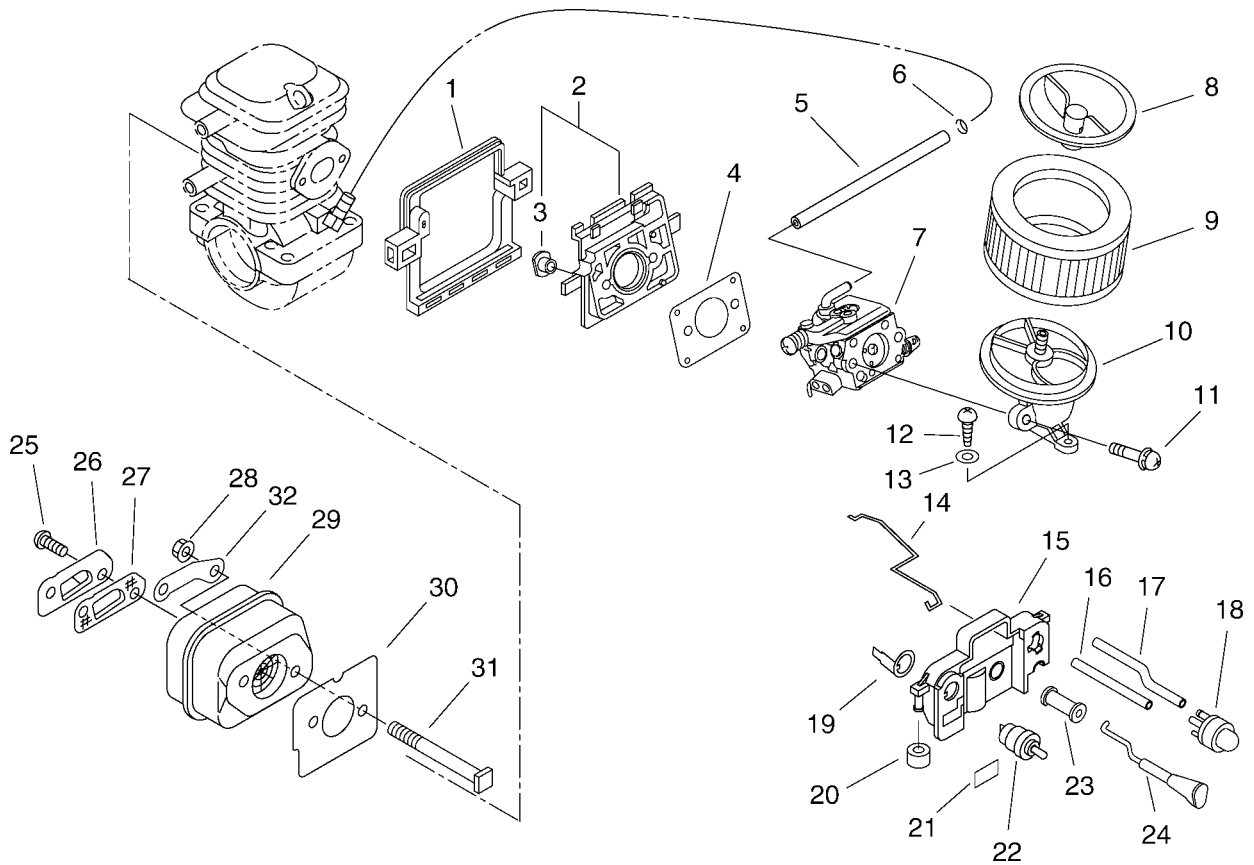
KEY	LV	PART NUMBER	Q'TY	DESCRIPTION	REMARKS
1		900238-05014	2	SCREW 5*14	
2		A202-000060	1	BELLOWS, INTAKE	
3		V103-000290	1	GASKET,INTAKE	
4		P021-010574	1	CRANKCASE SET	
5	+	900162-05022	4	BOLT, H.S. 5*22	
6		P021-010581	1	PISTON KIT	
7	+	A101-000160	1	RING, PISTON	
8	+	V607-000000	1	PIN,ENG 9	
9	+	100015-03931	2	CIRCLIP, PISTON PIN	
10	+	100014-53630	2	SPACER, PISTON PIN	
11	+	100012-16131	1	BEARING, NEEDLE	
12		100142-12330	1	KEY, WOODRUFF	
13		P021-013620	1	CRANKSHAFT ASY	
14	+	V652-000030	1	GEAR,WORM	
15	+	V505-000010	2	SEAL,OIL 12	
16	+	900888-36201	2	BEARING, BALL 6201	
17		A235-000020	1	KNOB,CLEANER LID	
18		X503-008450	1	LABEL,MODEL	
19		A232-000023	1	LID,CLEANER	
20		130338-32430	1	PLUG, COVER	
22		900238-05020	3	SCREW 5*20	
23		A160-000763	1	COVER,CYLINDER	
24		V135-000010	1	GROMMET,HT CORD	
26		A209-000000	1	PLATE,INSULATOR	



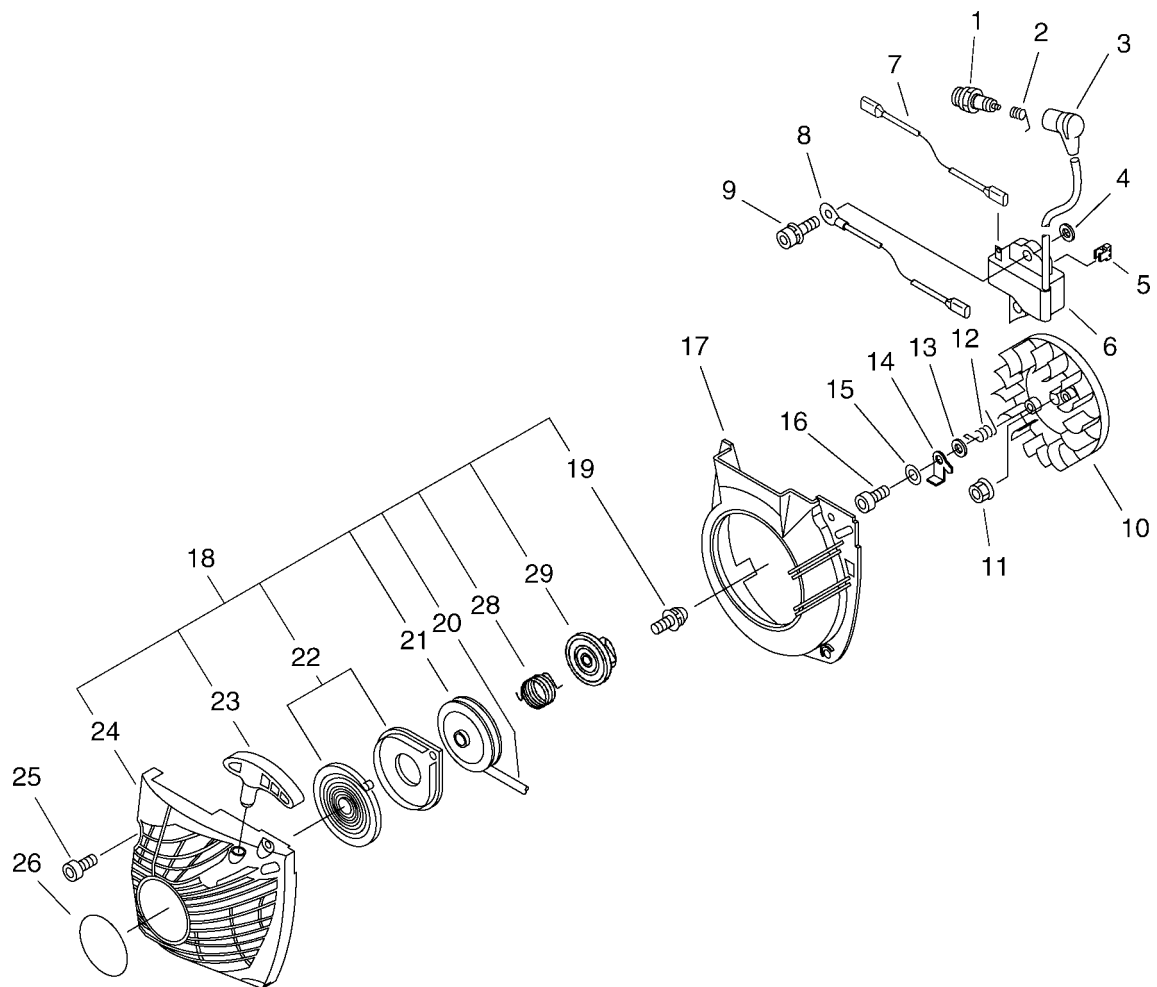
KEY	LV	PART NUMBER	Q'TY	DESCRIPTION	REMARKS
27		X524-001900	1	LABEL	
28		C304-000010	1	SPIKED	
29		91145-05020	2	BOLT HS TAPPING	
30		91145-05016	1	BOLT HS TAPPING	
31		C310-000000	1	CATCHER, CHAIN	
32		150114-04920	1	BUSHING	
33		P021-009855	1	COVER ENGINE ASY	
34	+	V341-000050	1	WASHER, SQUARE	
36	+	436114-13930	1	VALVE, CHECK	
37		P021-007630	1	CAP ASY, TANK	
38	+	900721-00025	1	O-RING 25	
39	+	A365-000050	1	CONNECTOR, CAP	
40		100918-15130	2	CAP	
41		100915-33930	2	SCREW	
42		100910-60030	2	CUSHION	
43		900162-05030	4	BOLT, H.S. 5*30	
44		V420-001250	2	CUSHION	
45		890631-38130	1	LABEL, CAUTION	
46		890345-39230	1	LABEL, CAUTION	
47		X530-000210	1	LABEL, EYE CATCHER	



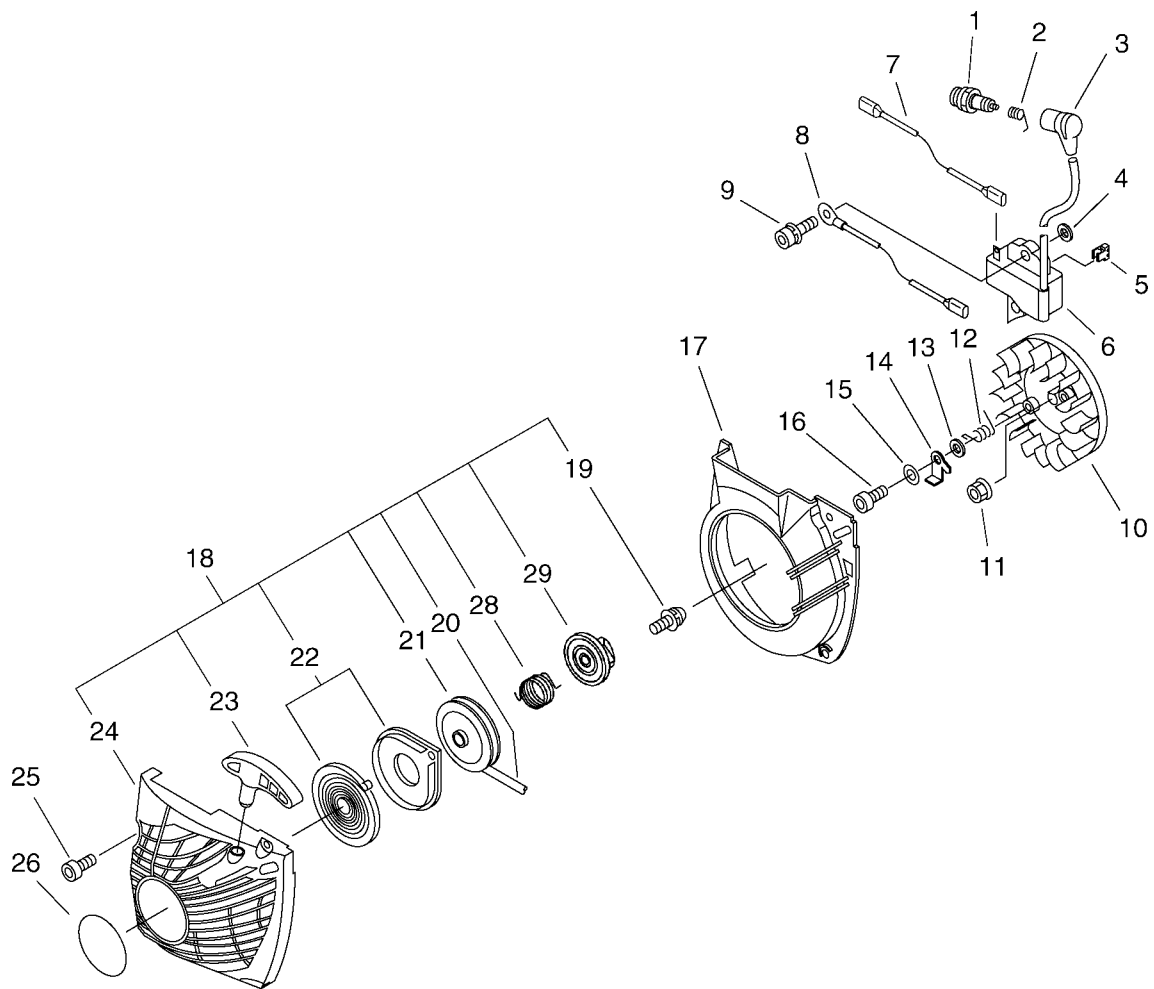
KEY	LV	PART NUMBER	Q'TY	DESCRIPTION	REMARKS
1		V420-001420	1	CUSHION	
2		130007-39931	1	INSULATOR	
3	+	130020-33330	2	NUT	
4		V103-000280	1	GASKET,INTAKE	
5		V471-001600	1	PIPE	
6		132013-09820	1	CLIP	
7		A021-001310	1	CARBURETOR,DIAPHRAGM	
8		130405-38332	1	BRACKET, AIR CLEANER	
9		130300-39730	1	CLEANER ASM., AIR	
10		130301-39935	1	ADAPTER, INTAKE	
11		900238-05050	2	SCREW 5*50	
12		900253-05020	1	SCREW 5*20	
13		900600-00005	1	WASHER 5	
14		C454-000100	1	ROD, THROTTLE	
15		A439-000145	1	BRACKET, SWITCH	
16		V471-001280	1	PIPE	
17		V471-001470	1	PIPE	
18		123181-39130	1	PUMP, PRIMER	
19		V486-000021	1	TERMINAL, LEAD	
20		351134-39930	2	CUSHION	
21		890157-39130	1	LABEL, SWITCH	
22		163400-38330	1	SWITCH, IGNITION	
23		178810-14534	1	GROMMET	
24		A241-000140	1	KNOB, CHOKE	



KEY	LV	PART NUMBER	Q'TY	DESCRIPTION	REMARKS
25		900220-04008	2	SCREW 4*8	
26		A313-000810	1	GUIDE, EXHAUST	
27		A310-000060	1	SCREEN, ARRESTOR	
28		900516-00005	2	NUT, FRANGE 5	
29		A300-000680	1	MUFFLER, EXHAUST	
30		V104-000731	1	GASKET, EXHAUST	
31		V203-000220	2	BOLT, 5	
32		V150-001820	1	PLATE, EYE	

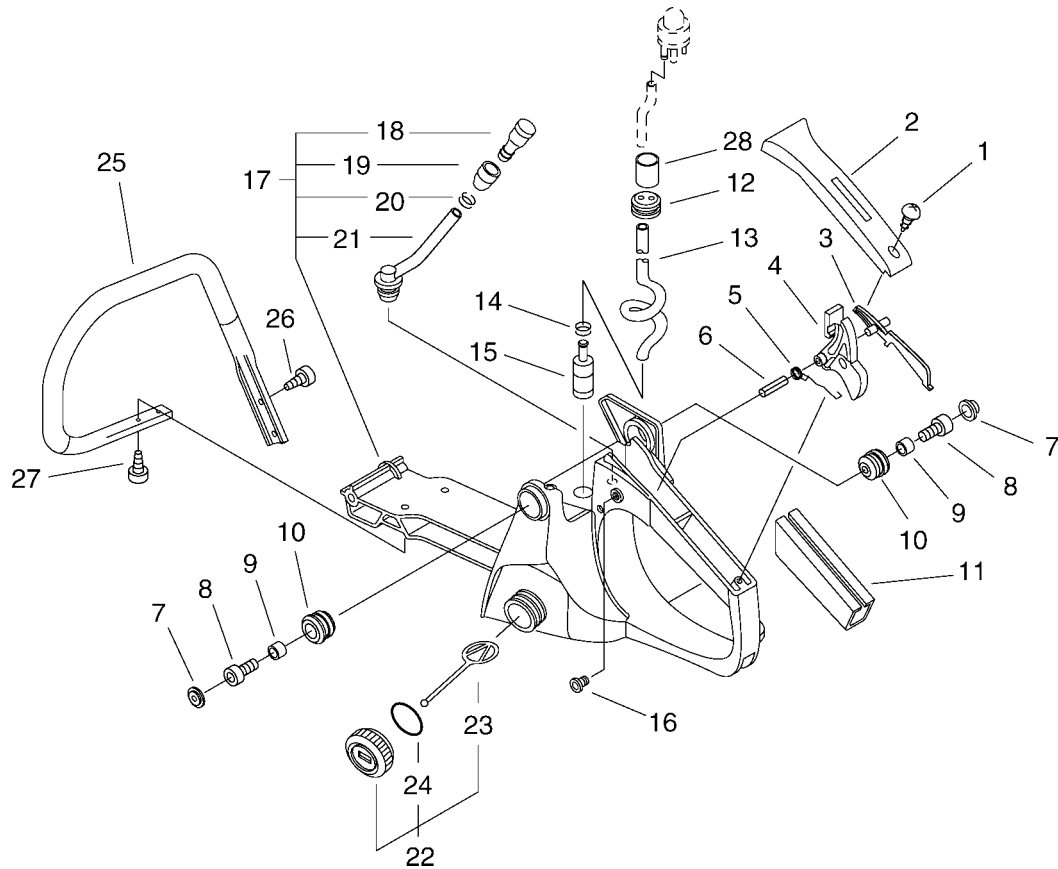


KEY	LV	PART NUMBER	Q'TY	DESCRIPTION	REMARKS
1		A425-000000	1	SPARKPLUG	
2		A426-000010	1	TERMINAL, SPARKPLUG	
3		A427-000012	1	CAP, SPARK PLUG	
4		150117-16430	2	SPACER	
5		V490-000310	1	CLIP	
6		A411-000264	1	COIL, IGNITION	
7		V485-000680	1	LEAD	
8		V485-000620	1	LEAD	
9		900162-05020	2	BOLT, H.S. 5*20	
10		A409-000272	1	ROTOR, MAGNETO	
11		900515-00008	1	NUT, FLANGE 8	
12		177234-35430	2	SPRING, RETURN	
13		177247-04630	2	SPACER, RATCHET	
14		A514-000050	2	PAWL	
15		900603-00005	2	WASHER 5	
16		V203-000090	2	BOLT, 5	
17		A172-000571	1	COVER, FAN	
18		A051-000980	1	STARTER, RECOIL ASY	
19	+	177236-61830	1	SCREW	
29	+	A507-000021	1	CATCHER, PAWL	
28	+	V452-000220	1	SPRING, TORSION	
20	+	P022-008440	1	ROPE, STARTER	
21	+	A506-000030	1	REEL, ROPE	
22	+	P022-010440	1	SPRING KIT, REWIND	



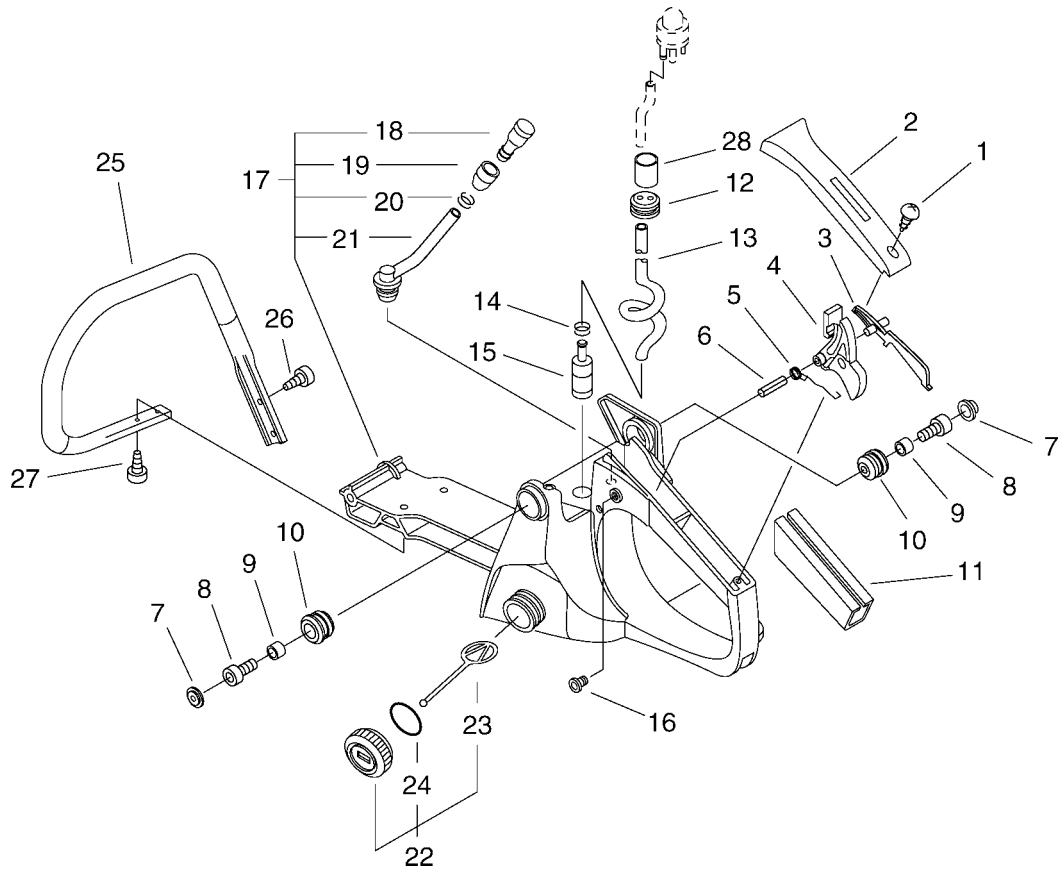
KEY	LV	PART NUMBER	Q'TY	DESCRIPTION	REMARKS
23	+	P022-005890	1	GRIP, STARTER	
24	+	A500-000420	1	CASE, STARTER	
25		91145-05020	4	BOLT HS TAPPING	
26		X502-000410	1	LABEL, ECHO	

CS-420ES 4 Handle

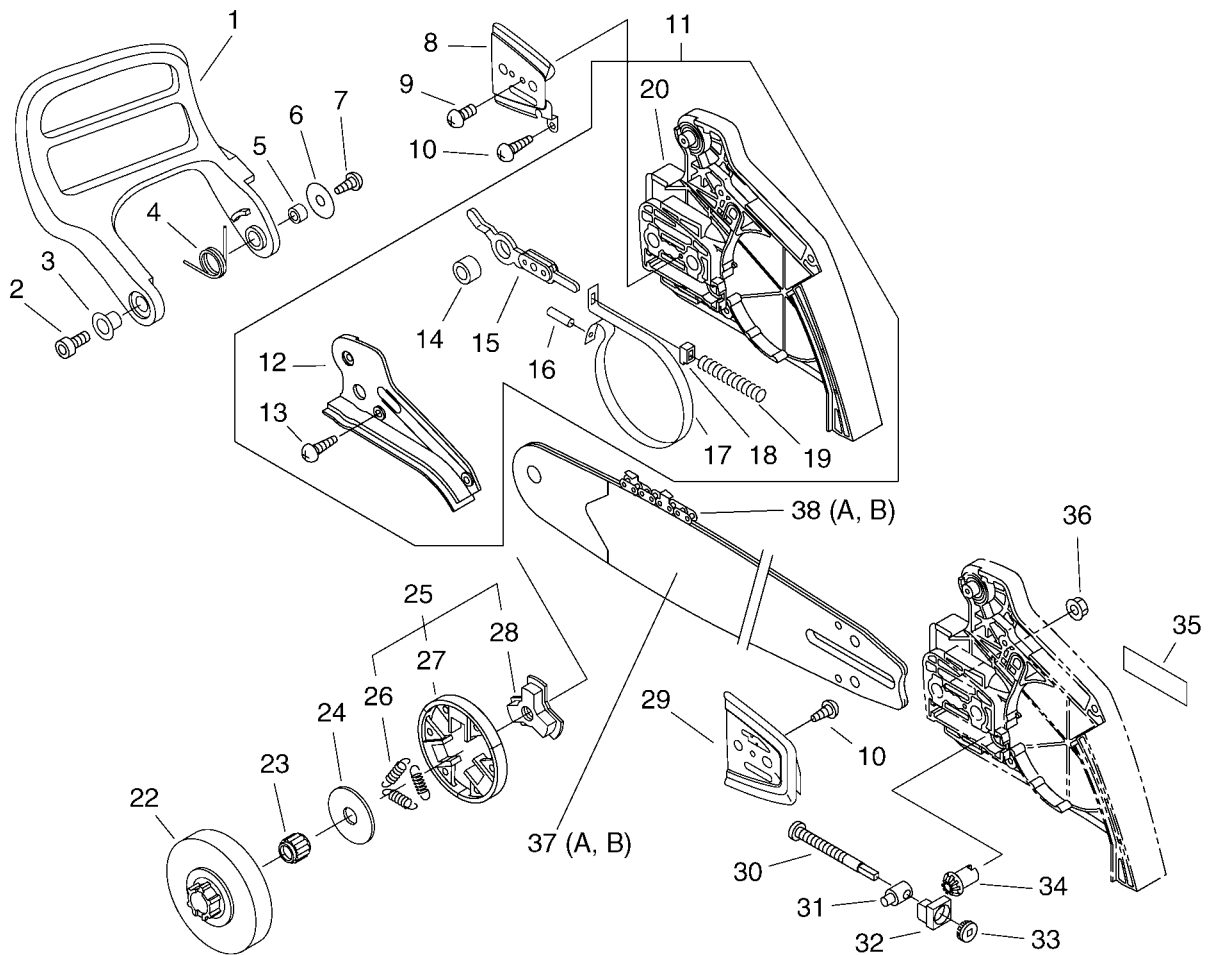


KEY	LV	PART NUMBER	Q'TY	DESCRIPTION	REMARKS
1		900253-04014	1	SCREW 4*14	
2		351155-35430	1	COVER, HANDLE (BL)	
3		C460-000072	1	LOCKOUT, THROTTLE	
4		C450-000212	1	CONTROL, THROTTLE	
5		V452-000260	1	SPRING, TORSION	
6		900345-40030	1	PIN, SPRING 4*30SUS	
7		100918-15130	2	CAP	
8		900105-04020	2	BOLT, H.S. 4*20	
9		100915-15131	2	SUPPORTER, CUSHION	
10		V400-000050	2	CUSHION, 4	
11		351111-19830	1	GRIP, HANDLE	
12		132115-44330	1	GROMMET	
13		132010-00760	1	PIPE, FUEL	
14		132013-09820	1	CLIP	
15		131205-19830	1	STRAINER, FUEL	
16		V162-000040	1	PLUG	
17		P021-010591	1	HANDLE SET, REAR	
18	+	131300-56430	1	VALVE, CHECK	
19	+	131328-40630	1	COVER, VENT	
20	+	132013-26630	1	CLIP	
21	+	132012-39931	1	PIPE	
22		P021-010600	1	FUEL CAP ASY	
23	+	A365-000050	1	CONNECTOR, CAP	
24	+	900720-00022	1	O-RING 22	

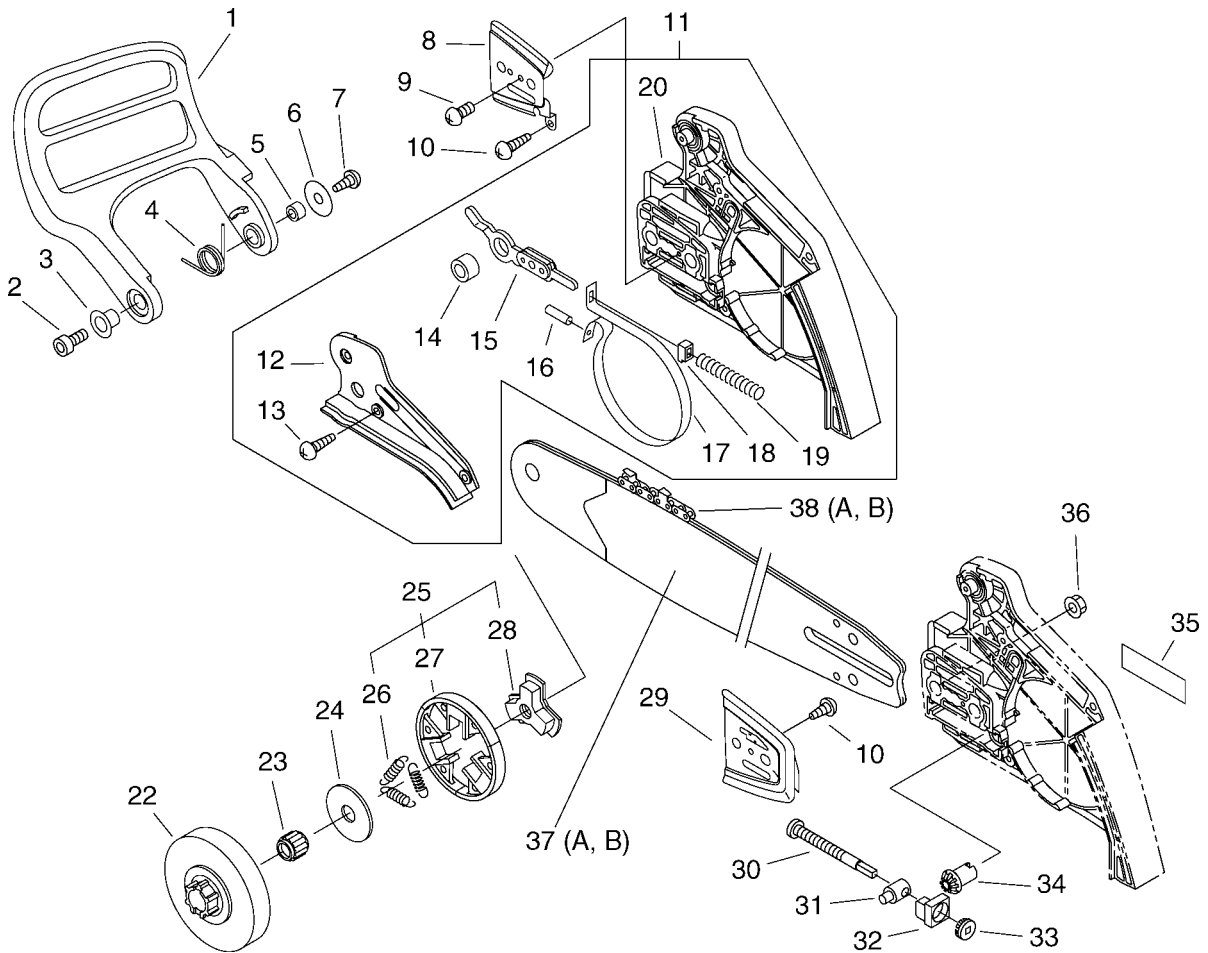
CS-420ES 4 Handle



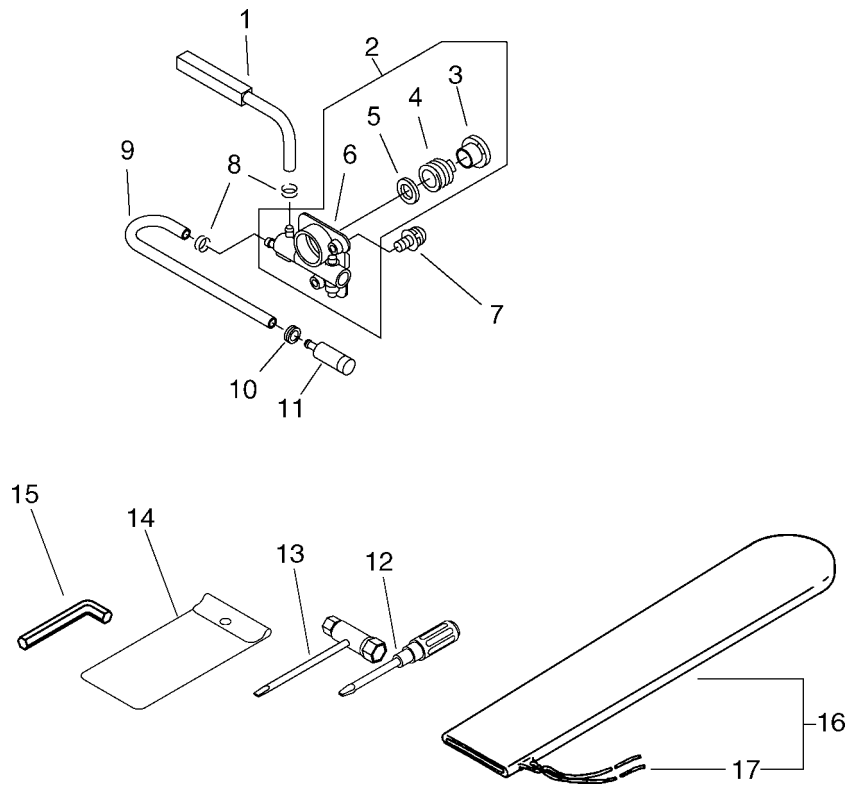
KEY	LV	PART NUMBER	Q'TY	DESCRIPTION	REMARKS
25		C400-000430	1	HANDLE, FRONT	
26		91145-05020	2	BOLT HS TAPPING	
27		91145-05016	2	BOLT HS TAPPING	
28		V475-003970	1	TUBE	



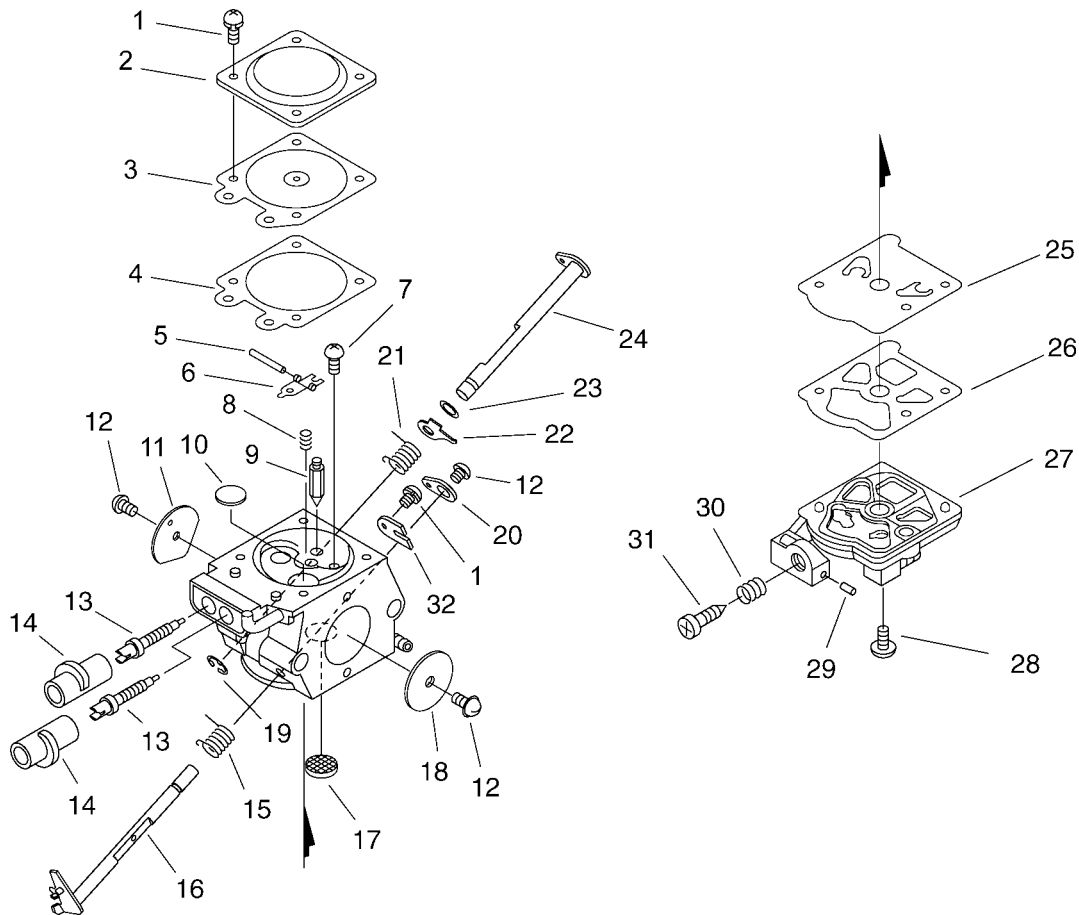
KEY	LV	PART NUMBER	Q'TY	DESCRIPTION	REMARKS
1		C320-000111	1	LEVER, BRAKE	
2		91145-05016	1	BOLT HS TAPPING	
3		V356-000300	1	COLLAR,10	
4		V452-000250	1	SPRING,TORSION	
5		433116-35430	1	SPACER 8	
6		177214-03930	1	WASHER	
7		V202-000070	1	BOLT,4	
8		C305-000011	1	PLATE,SPROCKET GUARD	
9		900220-03006	1	SCREW 3*6	
10		V202-000060	2	BOLT,4	
11		C032-000282	1	BRAKE ASY, CHAIN	
12	+	C345-000211	1	COVER,BRAKE	
13	+	V202-000060	3	BOLT,4	
14	+	433116-35430	1	SPACER 8	
15	+	C334-000090	1	CONNECTOR, BRAKE	
16	+	93050-30098	1	ROLLER	
17	+	C328-000080	1	BAND, BRAKE	
18	+	V376-000450	1	SPACER	
19	+	V450-000070	1	SPRING, COMPRESSION	
20	+	C300-000312	1	GUARD, SPROCKET	
22		A556-000480	1	DRUM, CLUTCH	
23		175012-00831	1	BEARING, NEEDLE	
24		175019-39430	1	PLATE, CLUTCH	
25		A056-000120	1	CLUTCH	



KEY	LV	PART NUMBER	Q'TY	DESCRIPTION	REMARKS
26	+	V451-000500	3	SPRING,TENSION	
27	+	P021-007050	1	CLUTCH SHOE SET	
28	+	A552-000060	1	HUB,CLUTCH	
29		433012-39930	1	PLATE, GUIDE	
30		V203-000110	1	BOLT,5	
31		C309-000030	1	TENSIONER,CHAIN	
32		V355-000270	1	COLLAR,8	
33		V651-000011	1	GEAR,BEVEL	
34		V651-000001	1	GEAR,BEVEL	
35		X502-000340	1	LABEL,ECHO	
36		433019-12330	2	NUT, FLANGE 8	
37A		430521-37332	1	BAR, GUIDE 38RD58325	
37B		430527-37332	1	BAR, GUIDE 43RD58325	
38A		431721-30230	1	CHAIN, SAW 21BP-64E	
38B		431717-30230	1	CHAIN, SAW 21BP-72E	

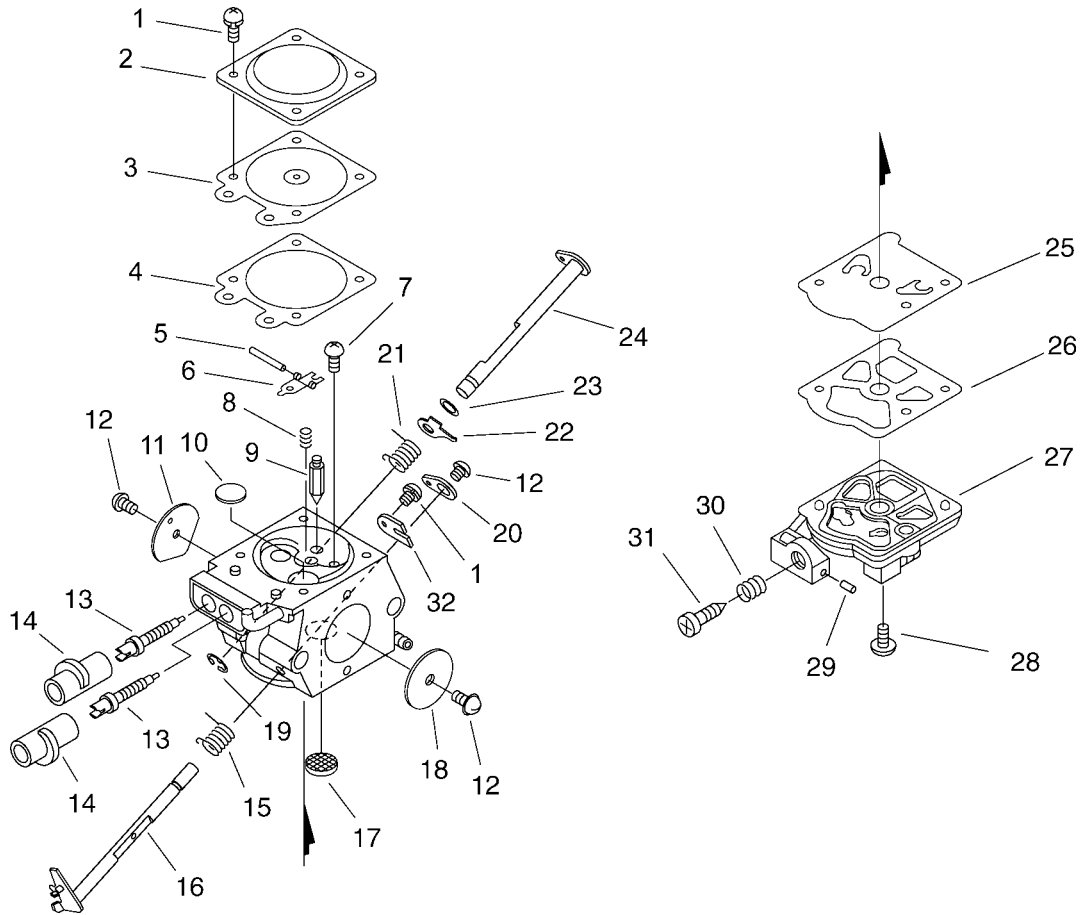


KEY	LV	PART NUMBER	Q'TY	DESCRIPTION	REMARKS
1		437210-39931	1	PIPE	
2		P021-012150	1	AUTO-OILER ASY	
3	+	V356-000390	1	COLLAR,10	
4	+	V652-000030	1	GEAR,WORM	
5	+	V308-000030	1	WASHER,CIRCULAR 11	
6	+	C022-000020	1	AUTO-OILER ASSEMBLY	
7		900238-04012	2	SCREW 4*12	
8		132013-26630	2	CLIP	
9		437210-35430	1	PIPE	
10		132115-12330	1	GROMMET	
11		436205-14730	1	STRAINER, OIL	
12		895812-03930	1	DRIVER, SCREW .50	
13		X602-000080	1	TOOL,WRENCH	
14		898510-39130	1	BAG, TOOL	
15		895610-00130	1	L-WRENCH (4MM)	
16		898567-38330	1	SCABBARD, GUIDE BAR	
17		898568-14530	1	ROPE	



KEY	LV	PART NUMBER	Q'TY	DESCRIPTION	REMARKS
		A021-001310	1	CARBURETOR,DIAPHRAGM	
1	+	123130-02960	5	SCREW	
2	+	123142-03930	1	COVER, M. DIAPHRAGM	
3	+	123141-03930	1	DIAPHRAGM, METERING	
4	+	123140-03930	1	GASKET, M. DIAPHRAGM	
5	+	123138-03930	1	PIN, METERING LEVER	
6	+	123123-03930	1	LEVER, METERING	
7	+	123139-03930	1	SCREW, M. LEVER PIN	
8	+	123122-39330	1	SPRING, METER. LEVER	
9	+	123137-19830	1	VALVE, INLET NEEDLE	
10	+	123146-10631	1	PLUG, WELCH	
11	+	P003-001790	1	VALVE, CHOKE	
12	+	123114-38830	3	SCREW	
13	+	123120-03661	2	NEEDLE, HIGH SPEED	
14	+	P003-000010	2	LIMITER CAP	
15	+	123113-37530	1	SPRING, THROTTLE RTN	
16	+	P003-001810	1	SHAFT ASY,THROTTLE	
17	+	123126-10631	1	SCREEN, INLET	
18	+	123116-10530	1	VALVE, THROTTLE	
19	+	123127-15030	1	RING	
20	+	P003-001780	1	EVER, THROTTLE	
21	+	P003-000140	1	SPRING	
22	+	P003-001510	1	LEVER-FAST IDLE	
23	+	123149-26030	1	WASHER	

CS-420ES 7 Carburettor



KEY	LV	PART NUMBER	Q'TY	DESCRIPTION	REMARKS
24	+	P003-000150	1	CHOKE, SHAFT	
25	+	123112-15030	1	DIAPHRAGM, FUEL PUMP	
26	+	123125-15030	1	GASKET, FUEL PUMP	
27	+	123124-38330	1	COVER, FUEL PUMP	
28	+	123110-03930	1	SCREW, PUMP COVER	
29	+	123178-15030	1	PLUG, FRICTION	
30	+	123133-04260	1	SPRING, IDLE ADJUST	
31	+	123134-04260	1	SCREW, IDLE ADJUST	
32	+	123127-03930	1	CLIP, THROTTLE SHAFT	

Index

Parts Number	Key No.	Parts Number	Key No.	Parts Number	Key No.
A021-001310	2 - 7	P003-001790	7 - 11	V607-000000	1 - 8
A021-001310	7 -	P003-001810	7 - 16	V651-000001	5 - 34
A051-000980	3 - 18	P021-007050	5 - 27	V651-000011	5 - 33
A056-000120	5 - 25	P021-007630	1 - 37	V652-000030	1 - 14
A101-000160	1 - 7	P021-009855	1 - 33	V652-000030	6 - 4
A160-000763	1 - 23	P021-010574	1 - 4	X502-000340	5 - 35
A172-000571	3 - 17	P021-010581	1 - 6	X502-000410	3 - 26
A202-000060	1 - 2	P021-010591	4 - 17	X503-008450	1 - 18
A209-000000	1 - 26	P021-010600	4 - 22	X524-001900	1 - 27
A232-000023	1 - 19	P021-012150	6 - 2	X530-000210	1 - 47
A235-000020	1 - 17	P021-013620	1 - 13	X602-000080	6 - 13
A241-000140	2 - 24	P022-005890	3 - 23	100012-16131	1 - 11
A300-000680	2 - 29	P022-008440	3 - 20	100014-53630	1 - 10
A310-000060	2 - 27	P022-010440	3 - 22	100015-03931	1 - 9
A313-000810	2 - 26	V103-000280	2 - 4	100142-12330	1 - 12
A365-000050	1 - 39	V103-000290	1 - 3	100910-60030	1 - 42
A365-000050	4 - 23	V104-000731	2 - 30	100915-15131	4 - 9
A409-000272	3 - 10	V135-000010	1 - 24	100915-33930	1 - 41
A411-000264	3 - 6	V150-001820	2 - 32	100918-15130	1 - 40
A425-000000	3 - 1	V162-000040	4 - 16	100918-15130	4 - 7
A426-000010	3 - 2	V202-000060	5 - 10	123110-03930	7 - 28
A427-000012	3 - 3	V202-000060	5 - 13	123112-15030	7 - 25
A439-000145	2 - 15	V202-000070	5 - 7	123113-37530	7 - 15
A500-000420	3 - 24	V203-000090	3 - 16	123114-38830	7 - 12
A506-000030	3 - 21	V203-000110	5 - 30	123116-10530	7 - 18
A507-000021	3 - 29	V203-000220	2 - 31	123120-03661	7 - 13
A514-000050	3 - 14	V308-000030	6 - 5	123122-39330	7 - 8
A552-000060	5 - 28	V341-000050	1 - 34	123123-03930	7 - 6
A556-000480	5 - 22	V355-000270	5 - 32	123124-38330	7 - 27
C022-000020	6 - 6	V356-000300	5 - 3	123125-15030	7 - 26
C032-000282	5 - 11	V356-000390	6 - 3	123126-10631	7 - 17
C300-000312	5 - 20	V376-000450	5 - 18	123127-03930	7 - 32
C304-000010	1 - 28	V400-000050	4 - 10	123127-15030	7 - 19
C305-000011	5 - 8	V420-001250	1 - 44	123130-02960	7 - 1
C309-000030	5 - 31	V420-001420	2 - 1	123133-04260	7 - 30
C310-000000	1 - 31	V450-000070	5 - 19	123134-04260	7 - 31
C320-000111	5 - 1	V451-000500	5 - 26	123137-19830	7 - 9
C328-000080	5 - 17	V452-000220	3 - 28	123138-03930	7 - 5
C334-000090	5 - 15	V452-000250	5 - 4	123139-03930	7 - 7
C345-000211	5 - 12	V452-000260	4 - 5	123140-03930	7 - 4
C400-000430	4 - 25	V471-001280	2 - 16	123141-03930	7 - 3
C450-000212	4 - 4	V471-001470	2 - 17	123142-03930	7 - 2
C454-000100	2 - 14	V471-001600	2 - 5	123146-10631	7 - 10
C460-000072	4 - 3	V475-003970	4 - 28	123149-26030	7 - 23
P003-000010	7 - 14	V485-000620	3 - 8	123178-15030	7 - 29
P003-000140	7 - 21	V485-000680	3 - 7	123181-39130	2 - 18
P003-000150	7 - 24	V486-000021	2 - 19	130007-39931	2 - 2
P003-001510	7 - 22	V490-000310	3 - 5	130020-33330	2 - 3
P003-001780	7 - 20	V505-000010	1 - 15	130300-39730	2 - 9

Index

Parts Number	Key No.	Parts Number	Key No.	Parts Number	Key No.
130301-39935	2 - 10	900162-05022	1 - 5		
130338-32430	1 - 20	900162-05030	1 - 43		
130405-38332	2 - 8	900220-03006	5 - 9		
131205-19830	4 - 15	900220-04008	2 - 25		
131300-56430	4 - 18	900238-04012	6 - 7		
131328-40630	4 - 19	900238-05014	1 - 1		
132010-00760	4 - 13	900238-05020	1 - 22		
132012-39931	4 - 21	900238-05050	2 - 11		
132013-09820	2 - 6	900253-04014	4 - 1		
132013-09820	4 - 14	900253-05020	2 - 12		
132013-26630	4 - 20	900345-40030	4 - 6		
132013-26630	6 - 8	900515-00008	3 - 11		
132115-12330	6 - 10	900516-00005	2 - 28		
132115-44330	4 - 12	900600-00005	2 - 13		
150114-04920	1 - 32	900603-00005	3 - 15		
150117-16430	3 - 4	900720-00022	4 - 24		
163400-38330	2 - 22	900721-00025	1 - 38		
175012-00831	5 - 23	900888-36201	1 - 16		
175019-39430	5 - 24	91145-05016	1 - 30		
177214-03930	5 - 6	91145-05016	4 - 27		
177234-35430	3 - 12	91145-05016	5 - 2		
177236-61830	3 - 19	91145-05020	1 - 29		
177247-04630	3 - 13	91145-05020	3 - 25		
178810-14534	2 - 23	91145-05020	4 - 26		
351111-19830	4 - 11	93050-30098	5 - 16		
351134-39930	2 - 20				
351155-35430	4 - 2				
430521-37332	5 - 37A				
430527-37332	5 - 37B				
431717-30230	5 - 38B				
431721-30230	5 - 38A				
433012-39930	5 - 29				
433019-12330	5 - 36				
433116-35430	5 - 5				
433116-35430	5 - 14				
436114-13930	1 - 36				
436205-14730	6 - 11				
437210-35430	6 - 9				
437210-39931	6 - 1				
890157-39130	2 - 21				
890345-39230	1 - 46				
890631-38130	1 - 45				
895610-00130	6 - 15				
895812-03930	6 - 12				
898510-39130	6 - 14				
898567-38330	6 - 16				
898568-14530	6 - 17				
900105-04020	4 - 8				
900162-05020	3 - 9				



7-2 SUEHIROCHO 1-CHOME, OHME, TOKYO 198-8711, JAPAN
PHONE: 81-428-32-6118. FAX: 81-428-32-6145.



200705 No.64-067(640645)