



# **PARTS CATALOGUE**

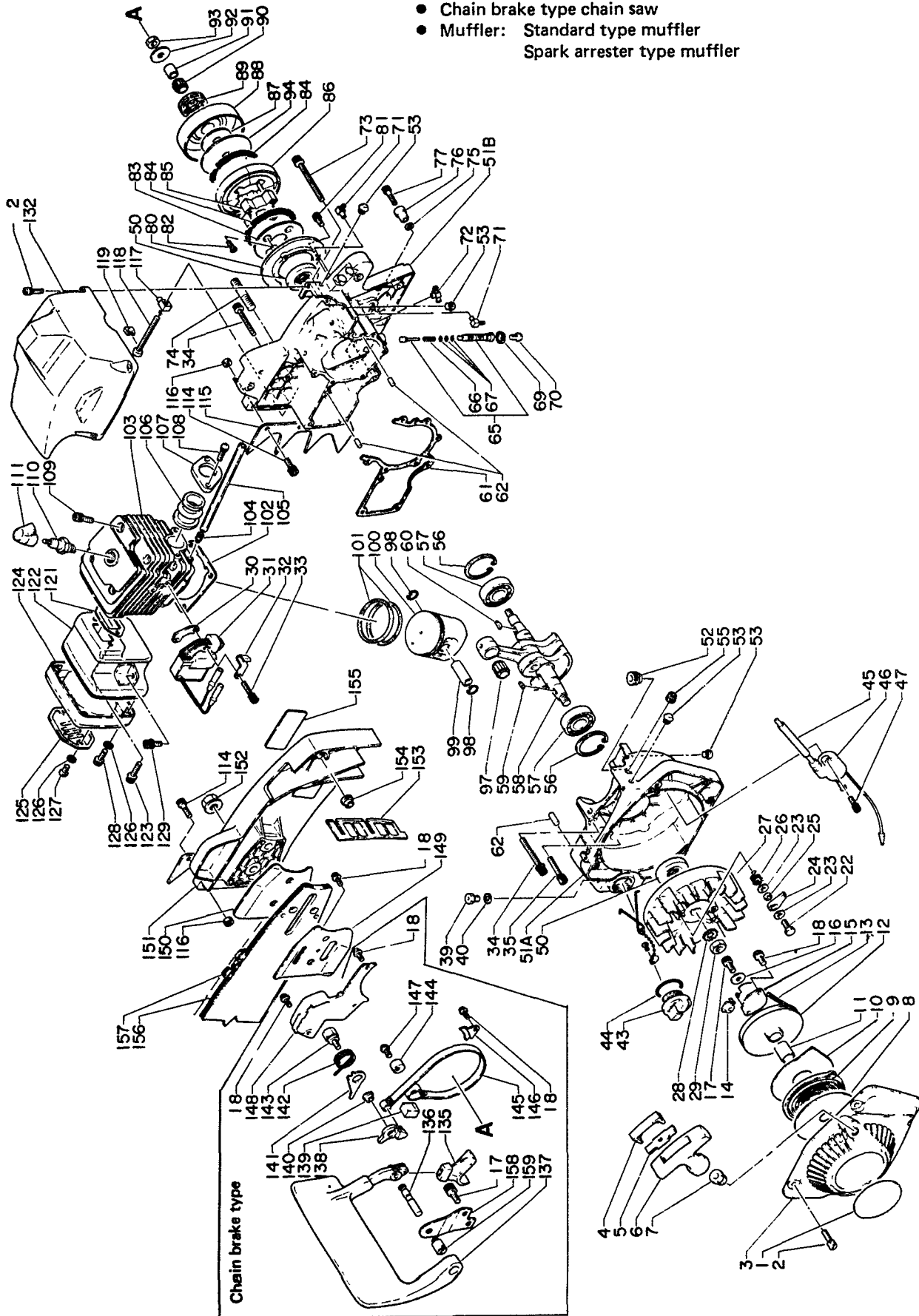
**ECHO  
CHAIN SAW  
CS-900EVL  
CS-900EVL P**



898 595-1473 0

**PARTS CATALOGUE**

- Please refer this parts catalogue for following types of CS-900EVL
  - Front hand guard type chain saw
  - Chain brake type chain saw
  - Muffler: Standard type muffler  
Spark arrester type muffler



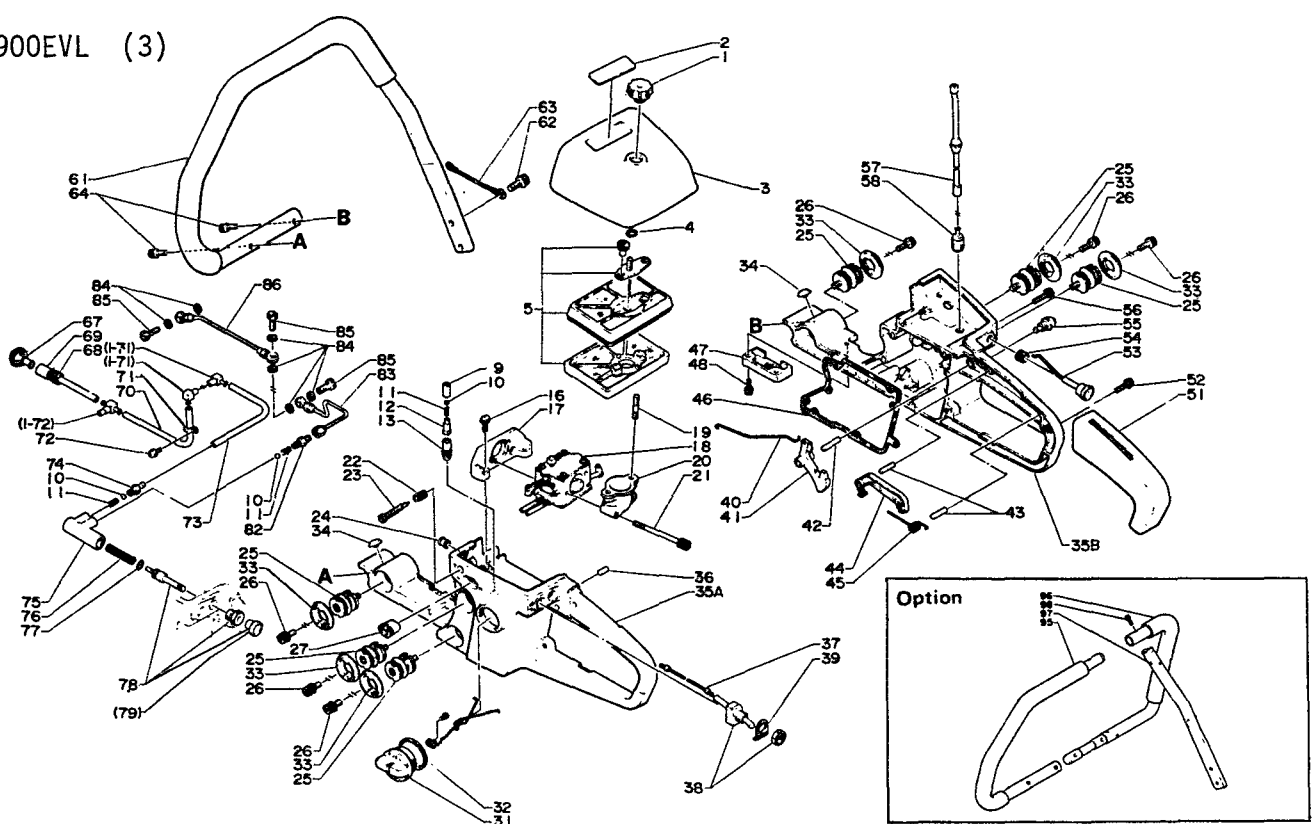
Key No.	Part No.	Q'ty	Description	Key No.	Part No.	Q'ty	Description
1-				1-			
1	890 012-1023 0	1	Decal	88	175 006-1473 0	1	Case, clutch
2	101 512-1473 0	7	Screw 5 x 20	89	175 033-1473 0	1	Rim sprocket 3/8
*	<b>177 200-1473 0</b>	1	<b>Recoil starter ass'y</b>	90	100 012-0013 0	1	Needle bearing
3	-101 507-1473 0	1	Fan cover	91	175 013-0023 0	1	Spacer, clutch case
4	-177 244-1063 0	1	Cap, handle	92	175 014-1063 0	1	Washer, clutch
5	-177 229-1473 0	1	Washer	93	100 129-1473 0	1	Nut
6	-177 228-1063 1	1	Handle, starter	94	175 044-1473 0	1	Washer, clutch
7	-177 227-1063 0	1	Rope guide	97	100 012-1473 0	1	Needle bearing
8	-177 221-1063 0	1	Slide plate	98	100 015-0023 0	2	Circlip, piston pin
9	-177 220-1063 0	1	Rewind spring	99	100 013-1473 0	1	Piston pin
				100	100 010-1473 0	1	Piston
10	-177 242-1473 0	1	Side plate	101	100 011-1473 0	2	Piston ring
11	-177 216-1063 0	1	Bush	102	101 010-1473 0	1	Gasket, cylinder
12	-177 215-1063 2	1	Recoil drum	103	101 011-1473 1	1	Cylinder
13	-177 226-1473 0	1	Starter rope	104	100 267-1063 0	1	Connector, impulse
14	-177 246-1063 1	1	Clip	105	437 228-1473 0	1	Oil pipe
15	-177 243-0283 3	1	Pawl catcher	106	130 510-1473 1	1	Connector
16	-300 217-0061 0	1	Washer	107	130 512-1473 1	1	Holder
17	-900 162-0501 5	1	H.s.h. bolt 5 x 15	108	900 242-0501 4	2	Screw 5 x 14
18	-900 242-0401 2	2	Screw 4 x 12	109	900 160-0602 0	4	H.s.h. bolt 6 x 20
18	900 242-0401 2	1	Screw 4 x 12	110	159 010-1063 0	1	Spark plug (BPM-7A)
22	900 100-0601 6	2	Bolt 6 x 16	110	159 010-1023 0	1	Spark plug (BPMR-7A)
23	900 600-0000 6	4	Washer 6	111	159 005-0033 1	1	Cap, spark plug
24	177 218-0283 0	2	Ratchet	114	900 105-0501 5	6	H.s.h. bolt 5 x 15
25	177 247-0283 0	2	Spacer, ratchet	115	880 210-1473 0	2	Spike
26	177 234-1473 0	2	Spring, ratchet	115	880 212-1473 0	2	Spike (Option)
27	150 801-1473 0	1	Flywheel	116	433 020-0083 0	6	Lock nut 5
28	900 611-0001 0	1	Washer 10	117	433 014-1063 1	1	Tentioner
29	100 144-0283 0	1	Nut	118	433 016-1473 0	1	Adjusting screw
30	150 617-1473 0	1	Spacer	119	433 028-1473 0	1	Clip
31	150 601-1473 0	1	C.D.I. module	121	145 510-1473 1	1	Gasket, muffler
32	159 112-1473 0	1	Clamp	122	145 806-1473 3	1	Muffler body (S.A.M.)
33	900 162-0502 5	2	H.s.h. bolt 5 x 25	123	900 162-0602 0	2	H.s.h. bolt 6 x 20
34	900 162-0505 0	4	H.s.h. bolt 5 x 50	124	145 807-1473 0	1	Muffler
35	900 162-0503 5	4	H.s.h. bolt 5 x 35	125	145 861-1473 0	1	Muffler lid
39	<b>436 100-0023 0</b>	1	<b>Breather ass'y</b>	126	900 610-0000 5	6	Lock washer 5
40	-131 310-0023 0	1	Gasket	127	145 643-0373 0	2	Screw 5 x 8
43	<b>436 001-1473 1</b>	1	<b>Cap ass'y, oil tank</b>	128	145 643-1473 0	4	Screw 5 x 20
44	-900 720-0002 5	1	O-ring 25	129	900 162-0501 5	1	H.s.h. bolt 5 x 15
45	150 611-1473 0	1	Tube	132	101 514-1473 1	1	Cover, cylinder
46	150 626-1473 0	1	Ignition coil	***	<b>433 100-1473 1</b>	1	<b>Chain brake ass'y</b>
47	900 162-0401 6	2	H.s.h. bolt 4 x 16	18	-900 242-0401 2	5	Screw 4 x 12
50	100 212-1213 0	2	Oilseal	135	-433 312-1233 0	1	Cover, brake lever
51	100 200-1473 3	1	Crankcase set	136	-433 113-1233 0	1	Pivot bolt
52	153 110-0283 0	1	Bush	137	-433 105-1473 1	1	Brake handle
53	100 251-1473 0	4	Cushion (A)	138	-433 117-1473 0	1	Connector
55	132 115-0146 0	1	Grommet	139	-433 313-1473 0	1	Dust seal
56	900 702-0004 0	2	Circlip (CR-40)	140	-433 115-1233 0	1	Spacer
57	900 810-0620 3	2	Ball bearing (6203)	141	-433 119-1233 0	1	Stopper
58	100 100-1473 1	1	Crankshaft ass'y	142	-433 114-1233 0	1	Return spring
59	100 142-1233 0	1	Woodruff key	143	-433 134-1233 0	1	Connector
60	900 322-0301 4	1	Woodruff key	144	-433 142-1473 0	1	Adjuster
61	100 242-1473 0	1	Gasket, crankcase	145	-433 123-1473 0	1	Brake band
62	100 215-0283 0	3	Knock pin	146	-433 144-1473 0	1	Band, supporter
65	<b>437 000-0343 0</b>	1	<b>Auto, oiler ass'y</b>	147	-900 242-0501 4	1	Screw 5 x 14
				148	-433 310-1473 0	1	Cover
66	-437 019-0283 0	1	Coil spring	17	-900 162-0501 5	1	H.s.h. bolt 5 x 15
67	-437 020-0283 0	3	O-ring	158	-433 158-1473 0	1	Bracket
69	437 059-1113 3	1	Pump stopper	159	-433 159-1473 0	1	Bolt
70	437 016-1113 1	1	Screw	149	433 013-1473 0	1	Side plate (Inner)
71	437 239-1473 0	2	Nipple	150	433 007-1473 0	1	Side plate (Outer)
72	437 240-1473 0	1	Connector	151	433 010-1473 0	1	Cover, guide bar
73	900 162-0506 5	1	H.s.h. bolt 5 x 65	152	433 019-1063 1	2	Flange nut
74	433 011-1063 0	2	Stud, guide bar	153	433 025-1473 0	1	Protector
75	900 600-0000 5	1	Washer	154	433 030-1473 0	1	Knock pin
76	433 006-1283 0	1	Chain catcher	155	890 021-0283 1	1	Echo, name plate
77	900 105-0502 5	1	H.s.h. bolt 5 x 25	156	_____	1	Guide bar
80	175 310-1473 0	1	Cover, dustseal	157	_____	1	Cchain
81	900 242-0401 0	3	Screw 4 x 10				
82	900 218-0501 2	4	Screw 5 x 12				
83	175 019-1063 1	1	Clutch plate				
**	<b>175 000-1473 0</b>	1	<b>Clutch ass'y</b>				
84	-175 018-1473 0	2	Spring, clutch				
86	-175 016-1473 0	1	Clutch boss				
86	-175 017-1473 0	4	Clutch shoe				
87	175 015-1063 0	1	Washer, clutch (Inner)				

## Remarks:

\* Consists of 3 thru 18.

\*\* Consists of 84 thru 86.

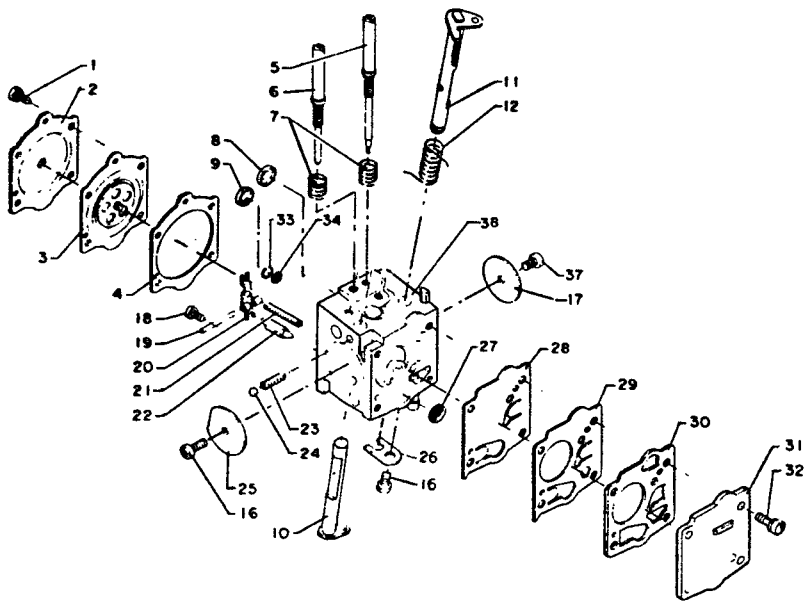
\*\*\* Consists of 17, 18 and 135 thru 148, 158 and 159.



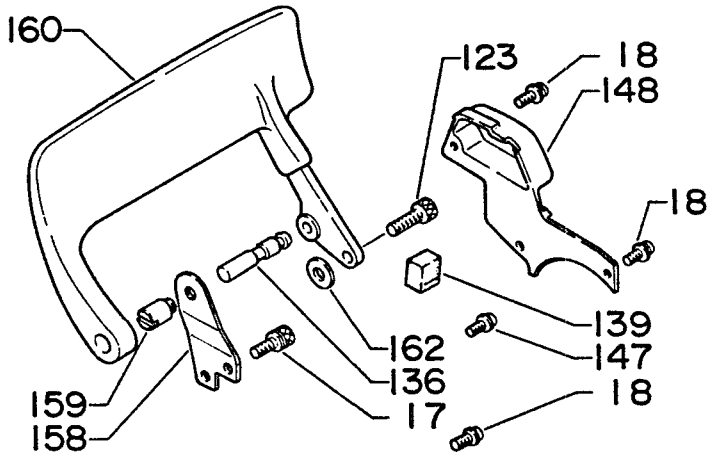
Key No.	Part No.	Q'ty	Description	Key No.	Part No.	Q'ty	Description
2-	130 406-0033 0	1	Thumb nut	2-	900 242-0401 2	2	Screw 4 x 12
	890 151-1473 0	1	Model plate		351 111-1473 0	1	Rubber, rear handle
	130 313-1473 0	1	Cover, air cleaner		900 162-0401 6	1	H.s.h. bolt 4 x 16
	900 701-0001 1	1	Circlip		178 510-1473 0	1	Choke rod
	<b>130 300-1473 1</b>	<b>1</b>	<b>Air cleaner ass'y</b>		178 810-0283 0	1	Rubber bush
*	<b>131 300-1473 0</b>	<b>1</b>	<b>Breather ass'y</b>				
	-131 326-1473 0	1	Breather (U)	55	178 302-1233 0	1	Throttle latch
	-437 012-0033 0	1	Ball valve	56	900 162-0402 0	6	H.s.h. bolt 4 x 20
	-437 013-0033 0	1	Valve spring	57	132 010-1473 0	1	Fuel pipe
	-131 327-1473 0	1	Breather (L)	58	131 205-0023 0	1	Fuel strainer
				61	351 606-1473 1	1	Front handle
	-131 320-1473 0	1	Connector				
	900 242-0502 0	2	Screw 5 x 20	62	900 162-0602 5	2	H.s.h. bolt 6 x 25
	130 013-1473 1	1	Carburetor bed	63	162 010-1473 0	1	Ground lead wire
	123 000-1473 0	1	Carburetor ass'y (Walbro)	64	900 162-0502 0	2	H.s.h. bolt 5 x 20
	130 712-1473 0	2	Bolt	67	436 205-1473 0	1	Oil strainer
				68	132 115-0146 0	1	Grommet
	130 711-1473 0	1	Pipe, intake				
	900 162-0507 5	2	H.s.h. bolt 5 x 75	69	132 010-0216 0	1	Oil pipe
	129 020-1473 0	1	Throttle spring	70	437 211-1473 0	1	Oil pipe
	129 013-1473 0	1	Screw	71	437 410-1473 0	1	Clip
	132 115-0146 0	1	Grommet	72	900 242-0401 0	1	Screw 4 x 10
				73	437 228-1473 0	1	Oil pipe
	100 905-1473 1	6	Cushion rubber	***	<b>437 100-1473 0</b>	<b>1</b>	<b>Pump ass'y</b>
	900 162-0501 5	6	H.s.h. bolt 5 x 15		-437 012-0033 0	2	Ball valve
	129 010-1473 0	1	Grommet		-437 013-0033 0	2	Valve spring
**	<b>131 004-1473 0</b>	<b>1</b>	<b>Fuel tank cap ass'y</b>		-437 017-0033 0	1	Pump connector
	-900 720-0002 9	1	O-ring		-437 110-0023 1	1	Oil pump body
	100 918-1473 0	6	Cap. cushion				
	100 253-1473 0	2	Stopper	76	-437 111-0023 1	1	Spring, oil pump
	351 100-1473 2	1	Rear handle set	77	-900 720-0000 6	1	O-ring 6
	100 215-0283 0	2	Knock pin	78	-437 101-1473 0	1	Pump piston
	162 021-1473 0	1	Ground lead wire	79	-437 119-1473 0	1	Push button
				82	-437 052-0033 0	1	Connector
	163 400-1113 0	1	Stop switch ass'y				
	890 157-1473 0	1	Stop label	83	437 206-1473 1	1	Oil pipe
	178 011-1473 0	1	Throttle connecting rod	84	437 219-1473 0	6	Gasket
	178 010-1473 0	1	Throttle trigger	85	437 220-1473 2	3	Holding bolt
	900 340-5002 5	1	Spring pin	86	437 207-1473 1	1	Oil pipe
	900 340-4002 0	2	Spring pin				
	178 090-1473 0	1	Throttle control lockout	<b>Option</b>	<b>352 100-1473 0</b>	<b>1</b>	<b>Loop handle kit</b>
	178 091-1053 1	1	Spring		-352 106-1473 0	1	Handle (L)
	131 011-1473 1	1	Gasket, fuel tank		-352 107-1473 0	1	Handle (R)
	437 610-1473 0	1	Pump cover		-352 105-1473 0	1	Supporter
					-900 162-0502 0	1	H.s.h. bolt 5 x 20

Remarks:

- \* Consists of 9 thru 13.
- \*\* Includes 32.
- \*\*\* Consists of 10 thru 11 and 74 thru 78 and 82.
- \*\*\*\* Consists of 95 thru 98.
- 78 Includes 79.

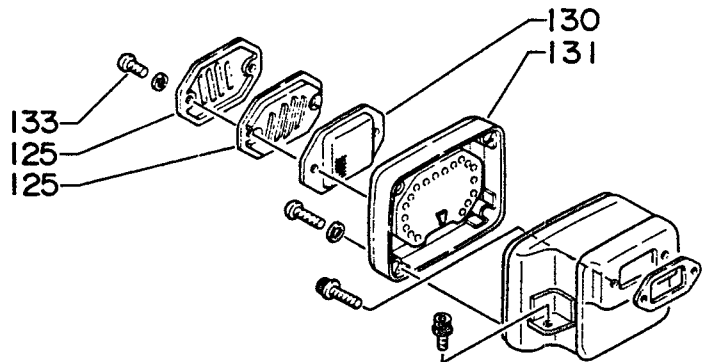


Hand Guard Type



Key No.	Part No.	Q'ty	Description	Key No.	Part No.	Q'ty	Description
3- *	<b>123 000-1473 0</b>	<b>1</b>	<b>Carburetor ass'y</b>	1- 17	900 162-0501 5	1	H.s.h. bolt 5 x 15
1	A	4	Screw	18	900 242-0401 2	4	Screw 4 x 12
2	-123 142-1063 0	1	Cover, metering diaphragm	135	433 312-1233 0	1	Cover
3	A B	1	Diaphragm, metering	136	433 113-1233 0	1	Pivot bolt
4	A B	1	Gasket, metering diaphragm	139	433 313-1473 0	1	Dust seal
5	-123 118-1063 0	1	Needle idle	147	900 242-0501 4	1	Screw 5 x 14
6	-123 120-1063 0	1	Needle, high speed	148	433 310-1473 0	1	Cover
7	A	2	Spring, needle	158	433 158-1473 0	1	Bracket
8	A	1	Plug, welch	159	433 159-1473 0	1	Bolt
9	A	1	Plug, welch	160	351 805-1473 1	1	Hand guard
10	-123 131-1473 0	1	Shaft, choke	161	900 162-0602 0	1	H.s.h. bolt 6 x 20
11	-123 117-1473 0	1	Shaft, throttle	162	145 642-0076 0	1	Washer
12	-123 113-1063 1	1	Spring, throttle return				
16	-123 154-1063 0	2	Screw				
17	-123 116-1473 0	1	Valve, throttle				
18	A	1	Screw, metering lever pin				
19	A	1	Pin, metering lever				
20	A	1	Lever, metering				
21	A	1	Spring, metering lever				
22	A	1	Valve, inlet needle				
23	-123 135-1063 1	1	Spring, choke friction				
24	-123 136-1063 1	1	Ball, choke friction				
25	-123 132-1063 0	1	Valve, choke				
26	-123 127-1063 1	1	Clip, throttle shaft				
27	A	1	Screen, inlet				
28	A B	1	Diaphragm, fuel pump				
29	A B	1	Diaphragm, check valve				
30	A B	1	Gasket, fuel pump				
31	-123 124-1473 0	1	Cover, fuel pump				
32	-123 110-1063 0	4	Screw, pump cover				
33	A	1	Ring, retaining				
34	A	1	Screen				
37	-123 114-1063 0	1	Screw				
38	-NOT AVAILABLE	1	Body ass'y, carburetor				

Spark arrester muffler



Key No.	Part No.	Q'ty	Description
1- 125	145 861-1473 0	2	Muffler lid
130	145 862-1473 1	1	Screen
131	145 909-1473 0	1	Muffler
133	145 868-1473 0	2	Screw

A-Repair Kit 123 100-1643 0

B-Gasket/Diaphragm Kit 123 101-1063 0