



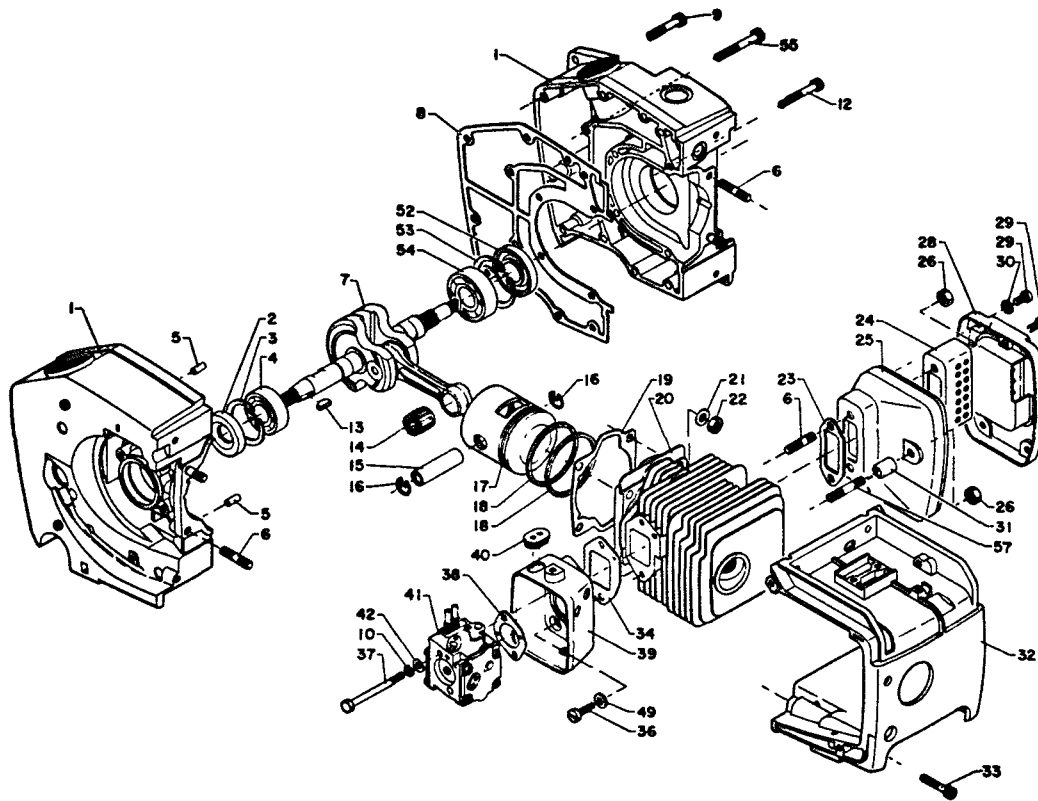
PARTS CATALOG

**CHAIN SAW
MODEL CS-750EVL**

ECHO, INCORPORATED

400 OAKWOOD ROAD
LAKE ZURICH, ILLINOIS 60047
WWW.ECHO-USA.COM

898 59512731
1/85

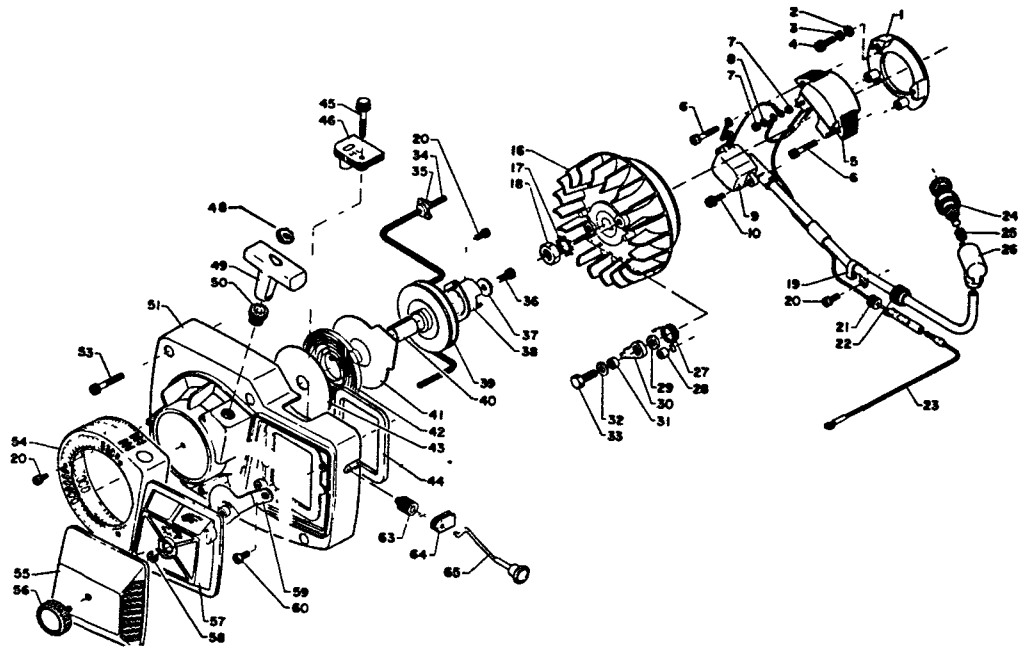


Key No.	Part No.	Q'ty	Description	Key No.	Part No.	Q'ty	Description
1-1*	100 200-1213 2	1	Crankcase set	1- 26	145 710-0023 0	3	Lock nut 6
5	-100 215-0283 0	2	Knock pin	28	145 808-0373 0	1	Lid, muffler
2	100 213-0283 0	1	Oil seal	29	145 643-0373 0	6	Screw 5x8
3	900 702-0003 5	1	Circlip 35	30	900 610-0000 5	4	Lock washer
4	900 810-0620 2	1	Ball bearing 6202	31	145 666-1243 0	1	Spacer
6	100 214-0283 0	6	Stud	32	101 514-1023 3	1	Cylinder cover
7	100 100-1243 0	1	Crankshaft ass'y	33	900 162-0502 0	4	H.S.H. bolt 5x20
8	100 242-1023 0	1	Gasket, crankcase	34	130 010-1243 0	1	Gasket
9	900 162-0503 0	7	H.S.H. bolt 5x30	36	130 015-1023 0	2	Screw
10	900 605 0000 5	2	Spring washer 5	37	130 021-1243 0	2	Bolt
12	900 162-0503 5	4	H.S.H. bolt 5x35	38	130 016-1243 0	1	Gasket, carburetor
13	900 322-0301 4	1	Woodruff key	39	130 306-1243 0	1	Case, carburetor
14	100 012-0283 1	1	Needle bearing	40	129 010-0343 0	1	Grommet
15	100 013-0373 0	1	Piston pin	41	123 000-1243 1	1	Carburetor ass'y
16	100 015-0023 0	2	Circlip, piston pin	42	178 516-0083 0	2	Washer
17	100 010-1243 0	1	Piston	49	130 031-1023 0	2	Washer
18	100 011-1243 0	2	Piston ring	52	100 212-1213 0	1	Oil seal
19	101 010-1243 0	1	Gasket, cylinder base	53	900 702-0004 0	1	Circlip 40
20	101 011-1243 0	1	Cylinder	54	900 810-0620 3	1	Ball bearing 6203
21	900 600-0000 6	4	Washer	55	900 162-0504 0	2	H.S.H. bolt 5x40
22	900 500-0000 6	4	Nut	57	100 266-7302 0	1	Stud
23	145 510-0373 0	1	Gasket, muffler				
24	145 612-0373 0	1	Silencer				
25	145 605-0373 1	1	Muffler				

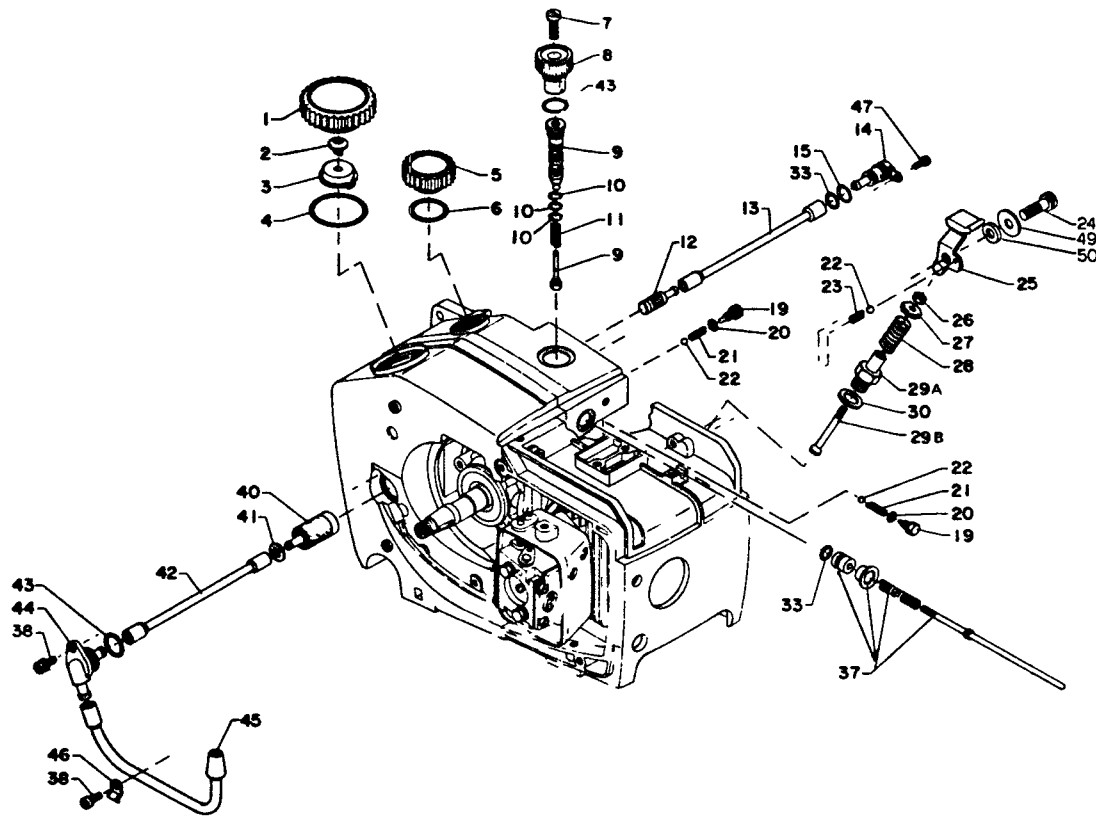
Remarks:

* Consisting of 1A, 1B and 5.

Note :As for spark arrester muffler, refer to page 7.



Key No.	Part No.	Q'ty	Description	Key No.	Part No.	Q'ty	Description
2- *	150 002-1203 1	1	Magneto ass'y	2- 37	-177 214-0283 0	1	Washer
1	-150 629-1203 1	1	Stator plate	38	-177 243-0283 3	1	Pawl catcher
5	-150 601-1203 0	1	C D. ignition module	39	-177 215-0283 4	1	Recoil drum
6	-900 241-0402 5	2	Screw 4x25 w/SW	40	-177 216-0283 2	1	Bush
7	-900 500-0000 3	2	Nut 3	41	-177 242-0283 2	1	Side plate
8	-900 605-0000 3	1	Spring washer 3	42	-177 220-0283 4	1	Rewing
9	-150 626-1203 0	1	Ignition coil	43	-177 221-0283 0	1	Side plate
10	-900 242-0401 4	1	Screw 4x14 w/W,SW	48	177 229-1433 0	1	Washer
16	-150 801-1023 0	1	Flywheel	49	-177 228-1233 0	1	Starter handle
2	900 600 0000 5	2	Washer 5	50	-177 227-1063 0	1	Rope guide
3	900 605-0000 5	2	Spring washer 5	51	-101 507-1243 1	1	Fan cover
4	900 105-0501 5	2	H S H bolt 5x15	54	-100 616-0283 1	1	Dust filter
17	900 611-0001 0	1	Lock washer 10	44	130 320-1243 0	1	Seal
18	100 144-0283 0	1	Nut	45	178 007-0343 0	1	Set screw, idle
19	159 110 1023 0	1	Clamp	46	178 212-1243 0	1	Grommet
20	900 241 0401 0	1	Screw 4x10 w/SW	53	900 162-0503 0	4	H S H bolt 5x30
21	154 111 0343 0	1	Grommet	55	130 313-1243 0	1	Cover, air cleaner
22	153 110 0283 0	1	Grommet	56	130 406-1023 0	1	Thumb bolt
23	156 131-0373 1	1	Ground lead	57	130 310-1243 0	1	Air filter
24	159 010-1063 0	1	Spark plug	58	900 700-0000 4	1	E ring 4
25	159 011-0343 2	1	Coil spring, plug cap	59	130 405-1243 0	1	Bracket, air cleaner
26	159 012-0343 3	1	Cap, spark plug	60	900 220-0501 0	2	Screw 5x10
27	177 234-0283 1	2	Ratchet spring	63	178 211-0033 0	1	Grommet
28	177 245-0283 0	2	Cap	64	178 810-1243 0	1	Grommet
29	178 020-0031 0	2	Washer	65	178 510-1243 0	1	Choke rod
30	177 218-0283 0	2	Ratchet	Remarks: * Consisting of 1, 5 thru 10 and 16. ** Consisting of 3, 20, 34 thru 43, 47 thru 51 and 54.			
31	177 247-0283 0	2	Spacer, ratchet				
32	900 600-0000 6	2	Washer 6				
33	900 100-0601 6	2	Bolt 6x16				
**	177 200-1243 0	1	Recoil starter ass'y				
20	-900 241-0401 0	5	Screw 4x10 w/SW				
34	-177 226-0283 0	1	Starter rope				
35	-177 246-0283 2	1	Clip				
36	-900 162-0501 4	1	H,S,H. bolt 5x14				

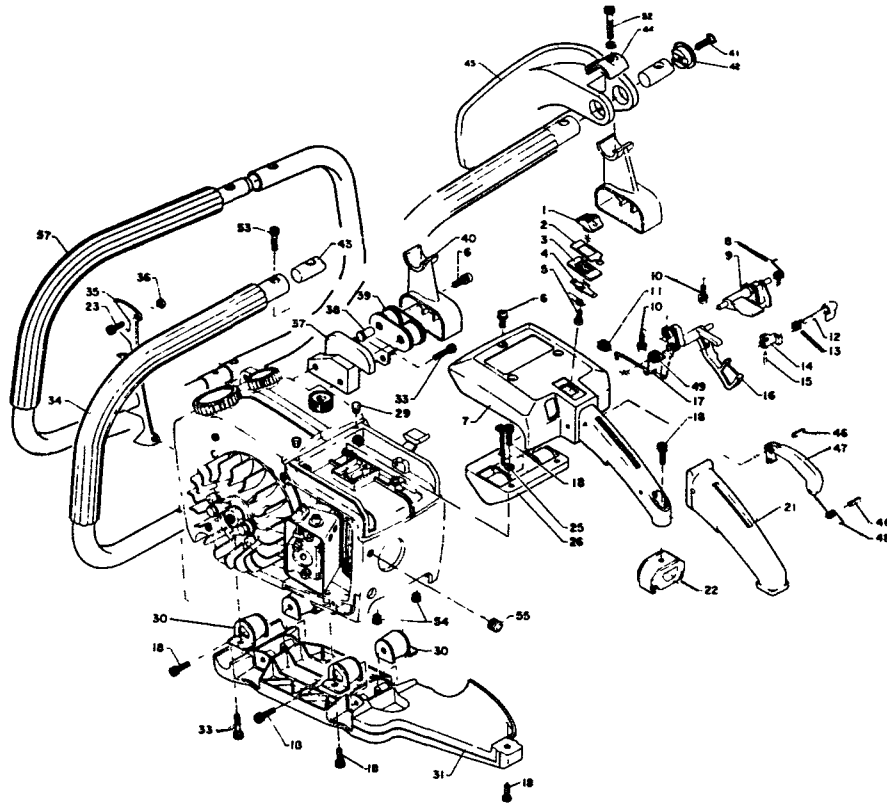


Key No.	Part No.	Q'ty	Description	Key No.	Part No.	Q'ty	Description
3-*	131 600-1023 1	1	Cap ass'y, fuel tank	3- 25	179 805-1243 1	1	Lever, decomp
7-7	-890 154-1273 0	1	Decal, fuel mix	****	101 100-0283 1	1	Decomp. ass'y
1	-131 017-1023 1	1	Cap, fuel tank	26	-900 500 0000 4	1	Nut 4
2	-131 314-0033 0	1	Check valve	27	-101 114 0283 1	1	Washer
3	-131 015-0083 0	1	Holder, check valve				
4	-900 720-0002 9	1	O-ring 29	28	-101 113 0283 0	1	Spring
***	436 002-1303 0	1	Cap ass'y, oil tank	30	101 112-0283 0	1	Gasket, decomp valve
7-8	-890 153-1303 0	1	Decal, oil	33	900 720-0000 6	2	O-ring 6
5	-436 000-1063 2	1	Cap, oil tank				
6	-900 720-0002 5	1	O-ring 25				
7	437 016-0343 0	1	Screw				
8	437 039-1023 2	1	Dial, auto oiler				
9	437 000-1023 0	1	Auto, oiler ass'y				
10	-437 020-0283 0	3	O-ring	37	707 000-1023 0	1	Pump rod ass'v
11	-437 019-0283 0	1	Spring, pump plunger	38	900 242-0401 0	2	Screw 4x10w/W, SW
12	436 205-0283 2	1	Oil strainer				
13	437 211-1213 0	1	Oil pipe	40	131 200-0283 0	1	Fuel strainer
14	437 306 1103 0	1	Connector	41	900 603-0000 5	1	Washer 5
15	900 720-0000 7	1	O-ring 7	42	437 310-1023 1	1	Fuel pipe
19	437 121-0343 0	2	Plug	43	900 720-0001 2	2	O ring 12
				44	132 011-0343 1	1	Connector
20	437 122-0343 0	2	O-ring	45	132 018-1023 1	1	Fuel pipe
21	437 013-0033 0	2	Valve spring	46	132 112-0393 0	1	Clamp
22	100 225-0393 0	3	Ball	47	900 241-0300 8	1	Screw 3x8 w/SW
23	179 817-0363 0	1	Spring	49	177 214-0283 0	1	Washer
24	900 105-0501 5	1	H.S.H bolt 5x15	50	177 247-0463 0	1	Spacer

NOTE: Units with SR#0009205 or lower use auto oiler part #437000 0343-0, knob part #437039 1023-1.

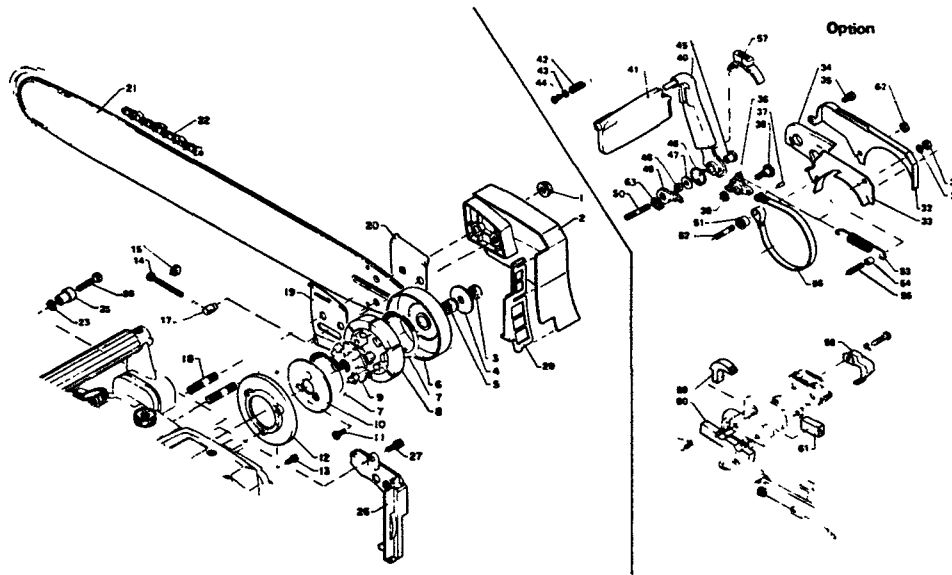
Remarks:

- * Consisting of 1 thru 4 and 7-7
- *** Consisting of 5 and 6 and 7-8
- **** Consisting of 26 thru 29(A) and 29(B)



Key No.	Part No.	Q'ty	Description	Key No.	Part No.	Q'ty	Description
4- 1	163 410-0283 0	1	Body, switch	* 4- 33	900 162-0502 0	4	H.S.H. bolt 5x20
2	163 413-0283 0	1	Ground plate	34	351 606 1023 1	1	Front handle
3	163 411-0283 0	1	Guide, switch	35	880 210-0283 0	1	Spike
4	163 412-0063 0	1	Spring, switch	36	433 020-0083 0	2	Lock nut 5
5	900 241-0401 0	1	Screw 4x10 w/SW	37	351 631-1213 0	1	Supporter
6	900 242-0501 4	5	Screw 5x14 w/W, SW	38	351 637 1023 0	2	Stopper
* 7	351 110-1023 1	1	Rear handle	39	351 605-1023 1	1	Cushion
8	707 017-0343 0	1	Spring	40	351 614-1193 0	1	Supporter
* 9	707 005-1023 0	1	Pump lever	41	900 214-0501 6	1	Screw 5x16
10	900 242-0401 4	2	Screw 4x14 w/W, SW	* 42	351 833-1023 0	1	Retainer
11	178 211-0033 0	1	Grommet	43	351 617-1023 0	1	Insert
12	178 008-1023 0	1	Lock lever, throttle	* 44	351 834-1023 0	1	Stopper
13	178 013-0343 0	1	Spring, throttle latch	* 45	351 826-1023 0	1	Hand guard, front
14	178 012-1103 0	1	Throttle latch	46	900 340-4001 6	2	Spring pin 4x16
15	900 340-1601 0	1	Spring pin 1.6x10	* 47	178 090-1103 1	1	Lockout, throttle control
* 16	178 005-1023 1	1	Throttle trigger	48	178 091-1053 1	1	Spring
17	178 011-1243 0	1	Throttle rod	49	178 043-1023 1	1	Spring, throttle return
18	900 162-0501 4	12	H S H bolt 5x14	52	900 162-0503 5	1	H S H. bolt 5x35
				54	100 252-1023 0	2	Cushion
				55	101 578 1243 0	1	Plug
* 21	351 111-1023 1	1	Grip, rear handle	Options:			
22	351 107-1023 2	1	Cushion	53	900 162-0502 5	1	H.S.H bolt 5x25
23	900 105-0501 2	2	H.S.H. bolt 5x12	*	351 400-1033 1	1	Loop handle ass'y
25	162 010-0343 1	1	Ground lead	56	-351 407-1033 1	1	Loop handle, R
26	351 105-1023 0	1	Cushion	57	-351 405-1033 0	1	Loop handle, L
29	100 251-1023 0	2	Cushion	Remarks: * Consisting of 56 and 57.			
30	100 910-1023 1	4	Cushion				
31	351 613-1023 1	1	Supporter				

* See bulletin 85-016

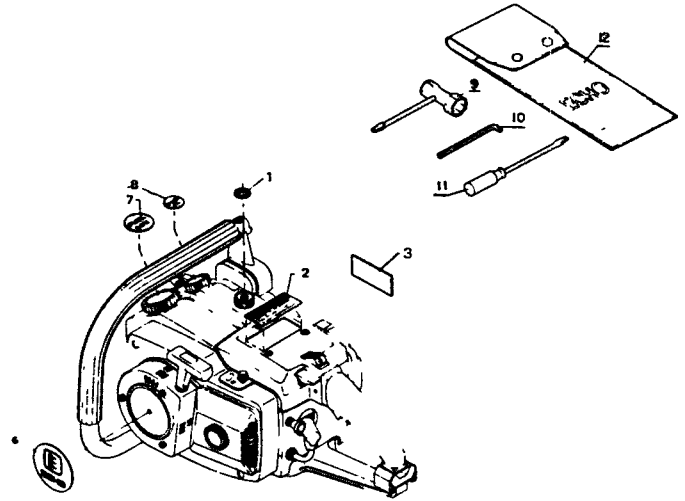
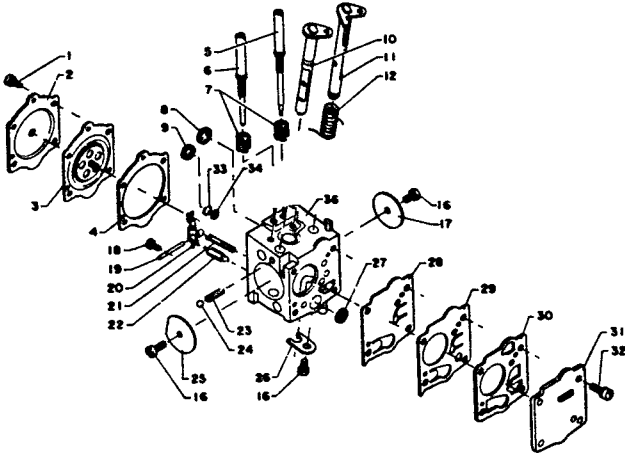


Key No.	Part No.	Q'ty	Description	Key No.	Part No.	Q'ty	Description
5- 1	433 019-1233 0	2	Frang nut	5- 34	-433 313-1213 0	1	Seal
2	433 010-1243 1	1	Cover, guide bar	35	-900 220-0500 8	1	Screw 5x8
3	100 129-0343 0	1	Nut, 8-L-H	36	-433 119-1103 0	1	Lever, brake band
4	175 015-0343 0	1	Washer	37	-900 340-4000 8	1	Spring pin 4x8
5	100 012-1233 0	1	Needle bearing	38	-433 120-1103 0	1	Bolt
6	175 005-1213 0	1	Clutch drum	39	-900 600-0000 6	1	Washer 6
*	175 000-1023 1	1	Clutch ass'y	***	-433 201-1213 1	1	Brake handle ass'y
7	-175 018-1023 1	2	Clutch spring	40	-433 105-1213 2	1	Brake handle
8	-175 017-0043 0	6	Clutch shoe	41	-433 145-1113 0	1	Brake handle (B)
9	-175 016-1023 0	1	Clutch boss	42	-433 146-1113 0	1	Spring
10	-175 019-1023 1	1	Side plate	43	-900 602-0000 4	1	Washer 4
11	-900 212-0501 2	3	Screw 5x12	44	-900 220-0401 0	1	Screw 4x10
12	175 310-1213 0	1	Plate	45	-433 137-1103 0	1	Nut
13	900 241-0401 0	3	Screw 4x10 w/SW	46	-433 114-1213 0	1	Spring
14	433 016-1103 1	1	Screw, adjustment	47	-433 115-1213 0	1	Washer
15	433 028-1103 0	1	Clip	48	-433 116-1103 0	1	Spacer
17	433 014-0283 0	1	Tensioner	49	-433 117-1103 0	1	Connector
18	433 011-1233 0	2	Stud bolt	50	-433 113-1213 0	1	Stud bolt
19	433 013-1233 2	1	Side plate	51	-433 142-1103 0	1	Adjuster, brake band
20	433 012-1233 2	1	Side plate	52	-130 712-1473 0	1	Stud
21	_____	1	Guide bar	53	-433 122-1213 0	1	Spring
22	_____	1	Chain	54	-433 140-1103 0	1	Collar
23	900 600-0000 5	1	Washer 5	55	-433 139-1213 0	1	Stud bolt
25	433 006-1283 0	1	Chain catcher	56	-433 123-1213 0	1	Brake band
26	433 138-1213 0	1	Adapter	57	-433 312-1213 0	1	Cover, band brake
27	900 242-0501 4	2	Screw 4x14 w/W, SW	58	-433 135-1213 0	1	Seal
28	900 220-0502 5	1	Screw 5x25	59	-433 314-1213 0	1	Seal
29	433 025-1243 0	1	Protector	60	-433 315-1213 0	1	Seal
Options:				61	-433 316-1213 0	1	Seal
**	433 100-1213 1	1	Chain brake kit	62	-433 022 0283 0	1	Locknut 5
30	-900 500-0000 5	1	Nut 5	63	-433 121-1273 0	1	Stopper
31	-900 605-0000 5	1	Spring washer 5				
32	-433 310-1213 0	1	Cover, brake				
33	-433 311-1213 0	1	Plate				

Remarks:

- * Consisting of 7 thru 11.
- ** Consisting of 30 thru 63
- *** Consisting of 40 thru 44.

(7) Decal, Model plate and Tools



Key No.	Part No.	Q'ty	Description	Key No.	Part No.	Q'ty	Description
6- *	123 000-1243 1	1	Carburetor ass'y	7- 1	890 022-0343 0	1	Decal, oiler
1	-123 144-0393 0	4	Screw	2	890 151-1273 1	1	Decal, caution
2	-123 142-1243 0	1	Cover, metering diaphragm	3	890 021-0283 1	1	Decal, ECHO
3	-123 141-1243 0	1	Diaphragm, metering				
4	-123 140-1063 0	1	Gasket, metering diaphragm				
5	-123 118-1243 0	1	Needle, idle	6	890 112-1233 0	1	Decal, ECHO
6	-123 120-1243 0	1	Needle, high speed	7	890 154-1273 0	1	Decal, fuel mixer
7	-123 119-0393 0	2	Spring, needle	8	890 153-1303 0	1	Decal, chain oil
8	-123 145-1063 0	1	Plug, welch	*	896 000-1243 0	1	Tool set
9	-123 146-1063 0	1	Plug, welch	9	-895 410-0283 0	1	Box wrench w/s driver
10	-123 131-1243 0	1	Shaft ass'y, choke	10	-895 610-0013 0	1	L-wench, 4mm
11	-123 117-1243 0	1	Shaft ass'y, throttle	11	-895 811-0013 0	1	Screw driver
12	-123 113-1243 0	1	Spring, throttle return	12	-898 510-0283 0	1	Tool bag
16	-123 114-1063 0	3	Screw				
17	-123 116-1063 0	1	Valve, throttle				
18	-123 139-0393 0	1	Screw, metering lever pin				
19	-123 138-1063 0	1	Pin, metering lever				
20	-123 123-1063 0	1	Lever, metering				
21	-123 122-1063 0	1	Spring, metering lever				
22	-123 137-0393 0	1	Valve, inlet needle				
23	-123 135-1063 1	1	Spring, choke friction				
24	-123 136-1063 1	1	Ball, choke friction				
25	-123 132-1063 0	1	Valve, choke				
26	-123 127-1063 1	1	Clip, throttle shaft				
27	-123 126-1063 0	1	Screen, inlet				
28	-123 112-1063 0	1	Diaphragm, fuel pump				
29	-123 111-1063 0	1	Diaphragm, check valve				
30	-123 125-1243 0	1	Gasket, fuel pump				
31	-123 124-1243 0	1	Cover, fuel pump				
32	-123 110-1063 0	4	Screw, pump cover				
33	-123 169-1063 0	1	Ring, retaining				
34	-123 168-1063 0	1	Screen				
36	-NOT AVAILABLE	1	Body ass'y, carburetor				

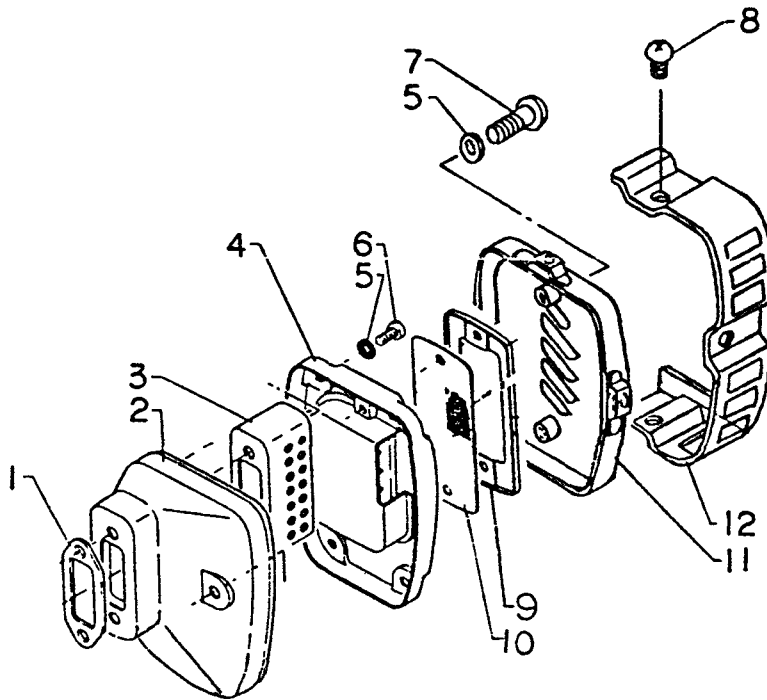
Remarks:

* Consisting of 9 thru 12.

Remarks:

* Consisting of 1 thru 12 and 16 thru 36.

(8) Spark arrester muffler,



Key No.	Part No.	Q'ty	Description
8-	1	1	Muffler gasket
	2	1	Muffler body
	3	1	Adapter
	4	1	Muffler lid
	5	6	Lockwasher
6	145 643-0373 0	4	Screw
7	145 643-1063 0	2	Screw
8	900 241-0400 6	3	Screw
9	145 963-0343 1	1	Screen holder
10	145 862-0343 1	1	Screen
11	145 908-1023 0	1	Muffler lid (B)
12	145 871-1023 0	1	Muffler cover
		1	

145 803-1023 0 SAM assembly, consisting of 1 thru 12.

Remarks : Key No. 8-1 thru 8-6 are same as the parts,
Key No. 1-23 thru 1-25 and Key No. 1-28 thru 1-30, illustrated page 1