

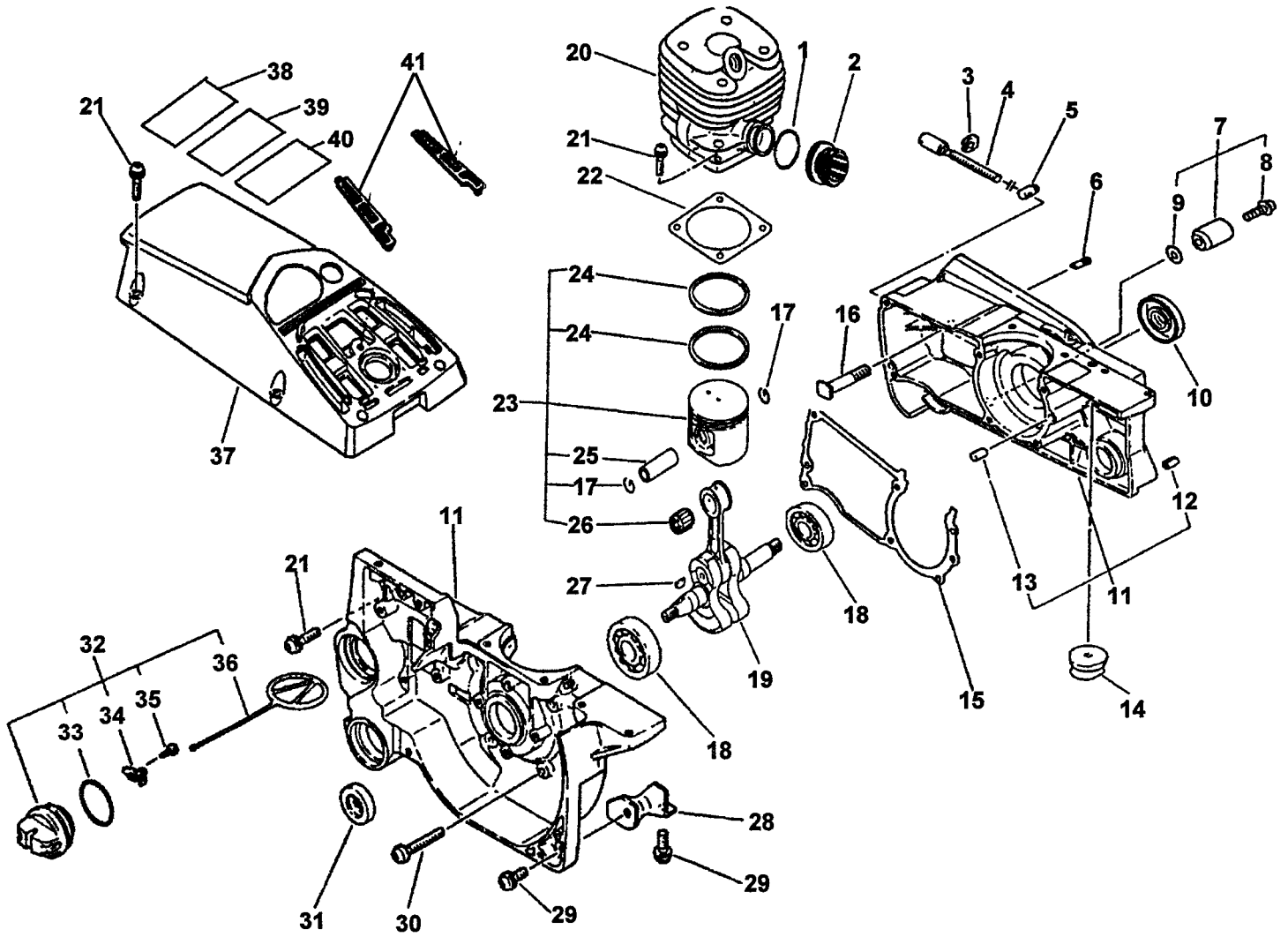


**CHAIN SAW
PARTS CATALOG
MODEL CS-6700
SERIAL NUMBER 031241 & UP**

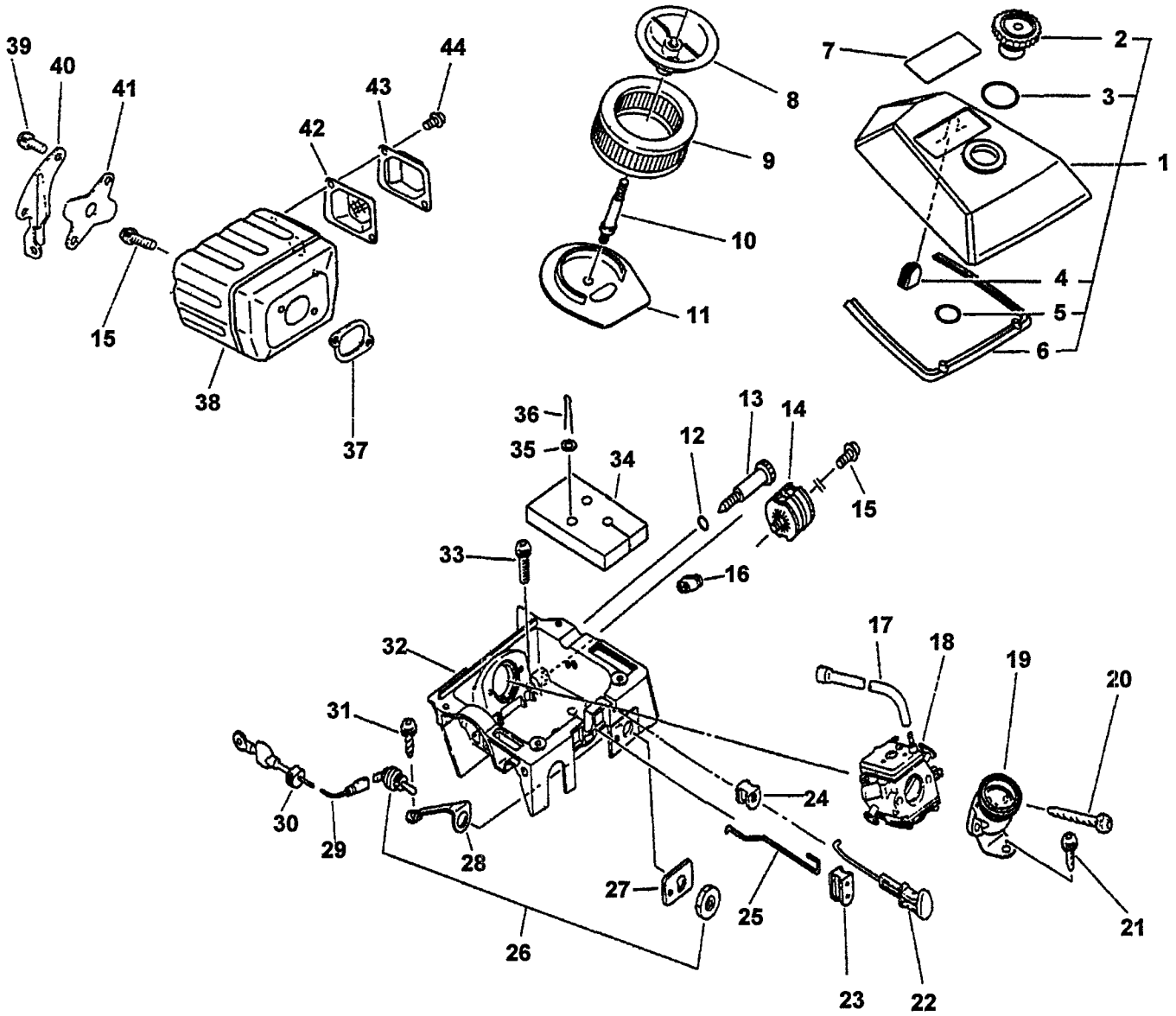
**ECHO, INCORPORATED
400 OAKWOOD ROAD
LAKE ZURICH, IL 60047**

**99922202560
06/94**

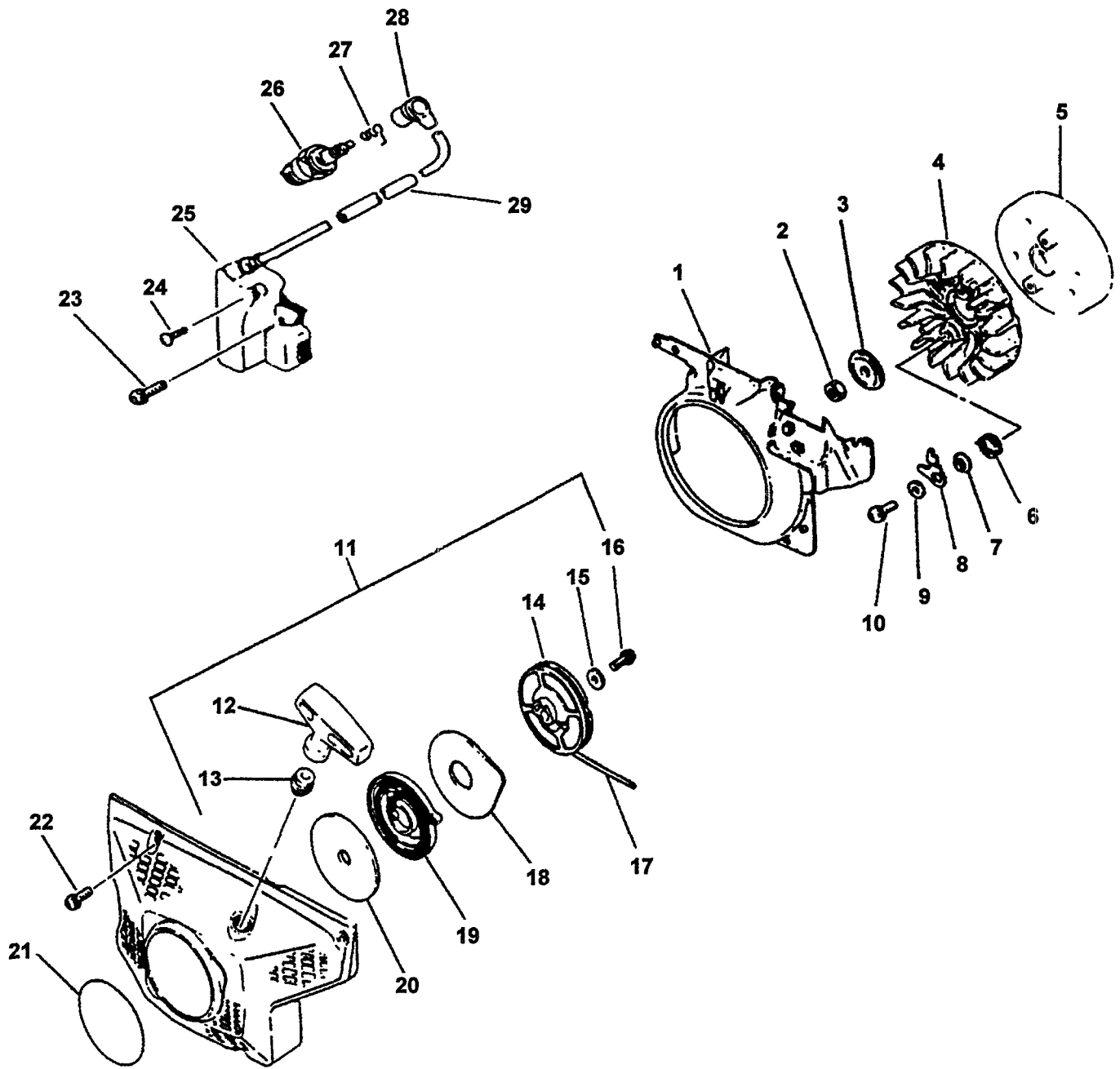
CS-6700



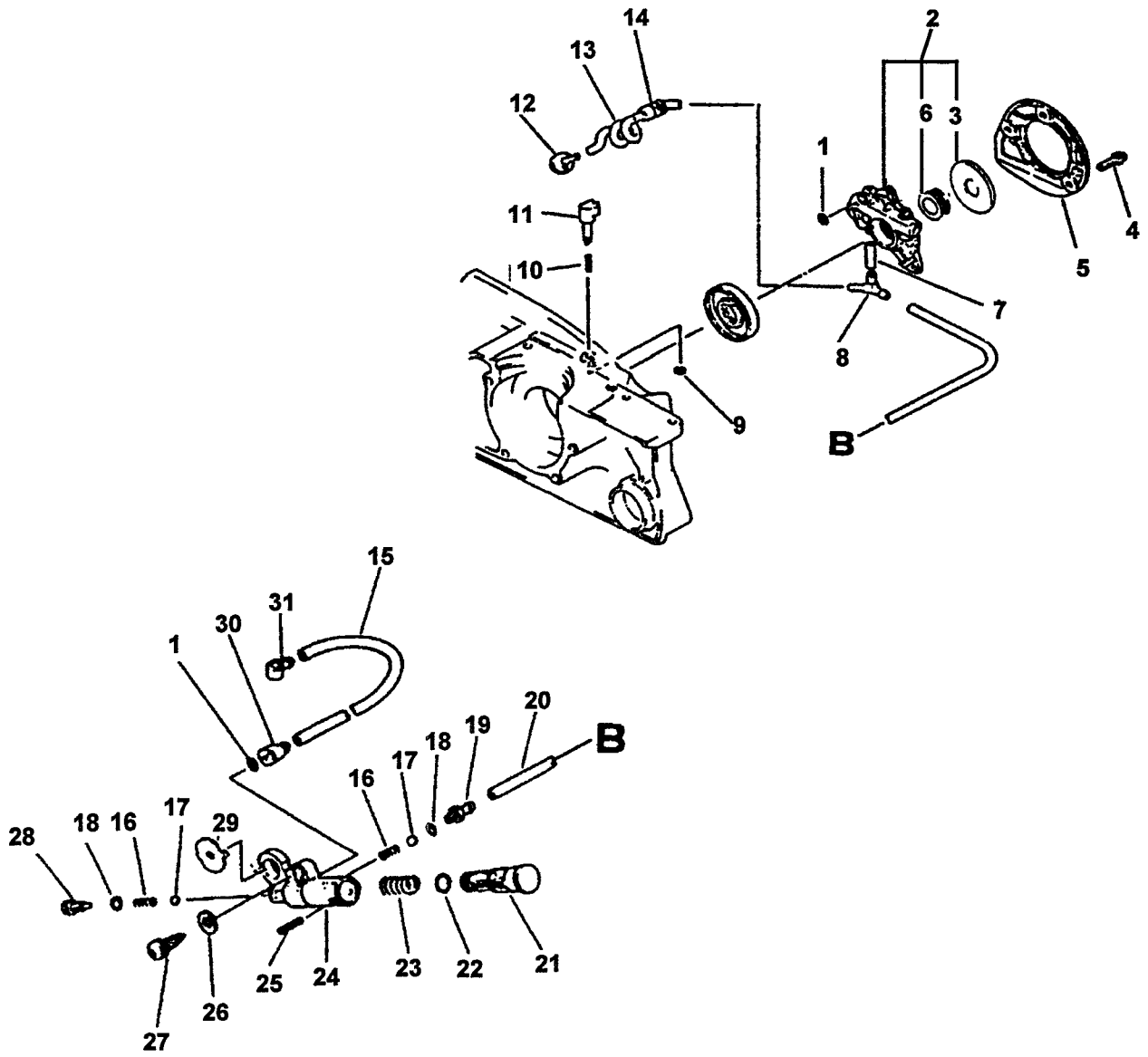
| KEY | PART NUMBER | QTY | DESCRIPTION | REMARKS |
|-----|--------------------|----------|-----------------------|---------------------------------------|
| 1 | 13051630830 | 1 | BAND | |
| 2 | 13051032430 | 1 | ADAPTER, INTAKE | |
| 3 | 43302811030 | 1 | CLIP | |
| 4 | 43301611031 | 1 | SCREW, TENSIONER | |
| 5 | 43301402830 | 1 | TENSIONER | |
| 6 | 43611413930 | 1 | VALVE, CHECK | |
| 7 | 43300019831 | 1 | CATCHER KIT, CHAIN | INCLUDES ITEMS 8 & 9 |
| 8 | 90023805020 | 1 | SCREW 5X20 | |
| 9 | 90060000005 | 1 | WASHER 5 | |
| 10 | 10021232430 | 1 | OILSEAL | |
| 11 | 10020438130 | 1 | CRANKCASE KIT | INCLUDES ITEMS 6, 10 12 - 16, 18 & 31 |
| 12 | 90034550010 | 1 | PIN, SPRING 5X10 | |
| 13 | 10021502830 | 2 | PIN, DOWEL | |
| 14 | 10025132430 | 1 | CUSHION (A) | |
| 15 | 10024232430 | 1 | GASKET, CRANKCASE | |
| 16 | 43301119830 | 2 | STUD, GUIDE BAR | |
| 17 | 10001500230 | 2 | CIRCLIP, PISTON PIN | |
| 18 | 90081036202 | 2 | BEARING, BALL | |
| 19 | 10010032430 | 1 | CRANKSHAFT | |
| 20 | 10100132431 | 1 | CYLINDER ASY | INCLUDES ITEMS 22 |
| 21 | 90016205020 | 11 | BOLT, H.S. 5X20 | |
| 22 | 10101032431 | 1 | GASKET, CYLINDER BASE | |
| 23 | 10000032430 | 1 | PISTON KIT | INCLUDES ITEMS 17, 23 - 26 |
| 24 | 10001132430 | 2 | RING, PISTON | |
| 25 | 10001332430 | 1 | PIN, PISTON | |
| 26 | 10001232430 | 1 | BEARING, NEEDLE | |
| 27 | 10014230830 | 1 | KEY WOODRUFF | |
| 28 | 10091732430 | 1 | CUSHION | |
| 29 | 90023805014 | 2 | SCREW 5X14 | |
| 30 | 90016205035 | 4 | BOLT, H.S. 5X35 | |
| 31 | 10021219830 | 1 | OILSEAL | |
| 32 | 43600137932 | 1 | CAP ASY, OIL TANK | INCLUDES ITEMS 33 - 36 |
| 33 | 90072502025 | 1 | O-RING 2025 | |
| 34 | 13105019830 | 1 | RETAINER, LINK | |
| 35 | 90024603008 | 1 | SCREW 3X8 | |
| 36 | 13105119830 | 1 | CLIP, FUEL CAP | |
| 37 | 10150638131 | 1 | COVER, CYLINDER | |
| 38 | 89019232630 | 1 | LABEL, BAR & CHAIN | |
| 39 | 89019130130 | 1 | LABEL, CAUTION | |
| 40 | 89019131730 | 1 | LABEL, CAUTION | |
| 41 | 13081132330 | 2 | SCREEN, CLEANER | |



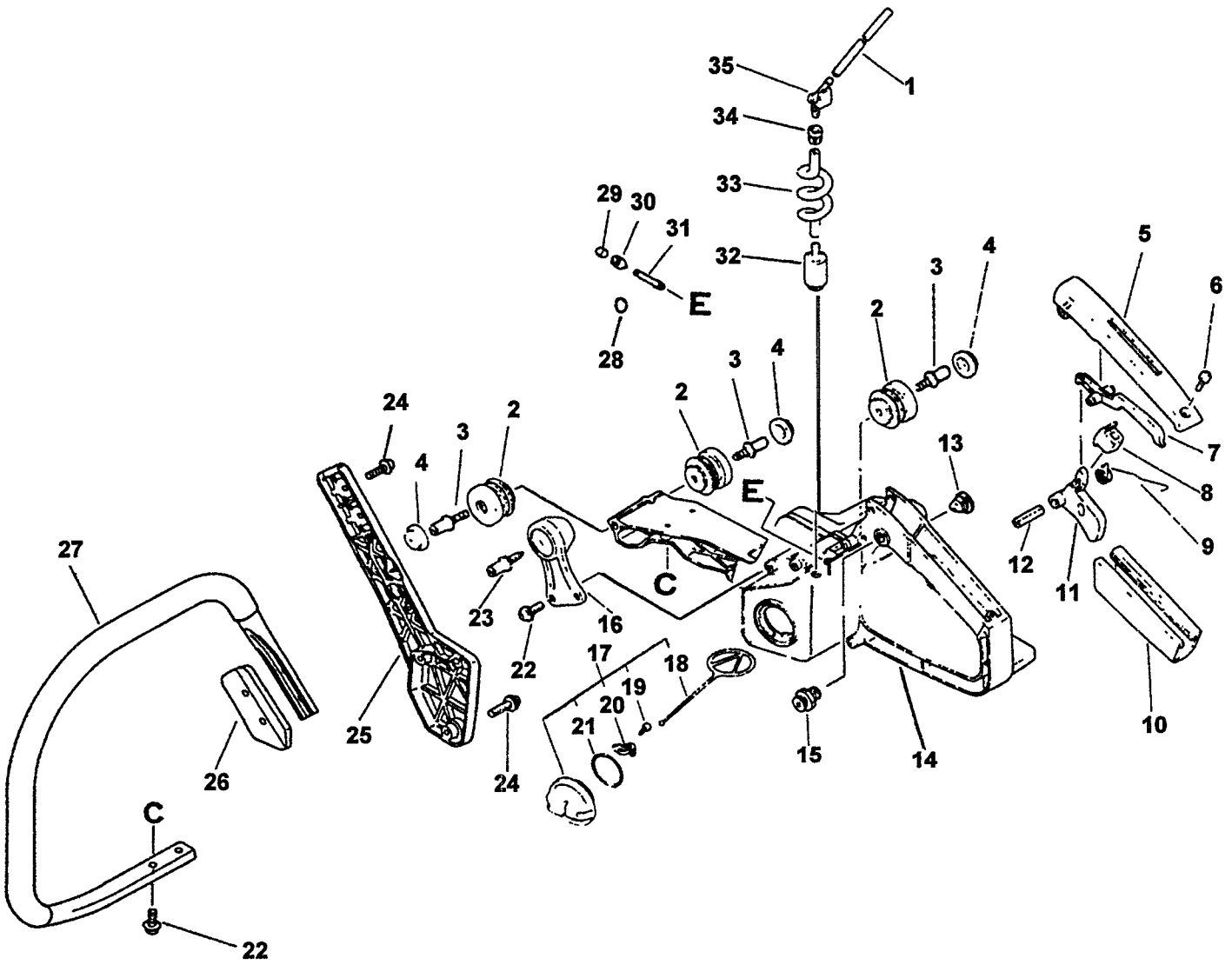
| KEY | PART NUMBER | QTY | DESCRIPTION | REMARKS |
|-----|-------------|-----|------------------------|----------------------|
| 1 | 13030238130 | 1 | COVER ASY, AIR CLEANER | INCLUDES ITEMS 2 - 6 |
| 2 | 13040633331 | 1 | KNOB, CLEANER LID | |
| 3 | 90072000021 | 1 | O-RING 21 | |
| 4 | 13033832430 | 1 | PLUG, COVER | |
| 5 | 90072000011 | 1 | O-RING 11 | |
| 6 | 13036532430 | 1 | SEAL, CLEANER | |
| 7 | 89016138130 | 1 | LABEL, MODEL | |
| 8 | 13040538130 | 1 | BRACKET, AIR CLEANER | |
| 9 | 13030038130 | 1 | CLEANER ASY, AIR | |
| 10 | 13032539730 | 1 | STUD, AIR CLEANER | |
| 11 | 13042038130 | 1 | BRACKET, AIR CLEANER | |
| 12 | 90072000007 | 1 | O-RING 7 | |
| 13 | 12901307061 | 1 | KNOB, IDLE ADJUST | |
| 14 | 10090532331 | 1 | CUSHION | |
| 15 | 90016205020 | 7 | BOLT, H.S. 5X20 | |
| 16 | 12901032430 | 1 | GROMMET | |
| 17 | 13011019830 | 1 | PIPE | |
| 18 | 12300032432 | 1 | CARBURETOR HDA-76 | |
| 19 | 13051832431 | 1 | ADAPTER, INTAKE | |
| 20 | 90025205053 | 2 | SCREW 5X53 | |
| 21 | 90025205014 | 1 | SCREW 5X14 | |
| 22 | 17851007060 | 1 | ROD, CHOKE | |
| 23 | 17811432630 | 1 | HOLDER, THROTTLE LEVER | |
| 24 | 17881033330 | 1 | GROMMET, CHOKE | |
| 25 | 17801132431 | 1 | ROD ASY, THROTTLE | |
| 26 | 16340032430 | 1 | SWITCH, IGNITION | |
| 27 | 89015719830 | 1 | LABEL, SWITCH | |
| 28 | 15663532430 | 1 | PLATE, CONTACT | |
| 29 | 16202132430 | 1 | LEAD | |
| 30 | 15611404920 | 1 | GROMMET | |
| 31 | 90025205010 | 1 | SCREW 5X10 | |
| 32 | 13030607060 | 1 | CASE, CARBURETOR | |
| 33 | 90016205014 | 4 | BOLT, H.S. 5X14 | |
| 34 | 13032032630 | 1 | SEAL, CARBURETOR CASE | |
| 35 | 43316219930 | 1 | WASHER | |
| 36 | 90030030018 | 1 | PIN, SPLIT 3X18 | |
| 37 | 14551032431 | 1 | GASKET, MUFFLER | |
| 38 | 14561032430 | 1 | MUFFLER | |
| 39 | 90023805014 | 2 | SCREW 5X14 | |
| 40 | 14571132430 | 1 | STAY, MUFFLER | |
| 41 | 14581331730 | 1 | COVER, MUFFLER | |
| 42 | 14586232630 | 1 | SCREEN, MUFFLER | |
| 43 | 14586132430 | 1 | LID, MUFFLER | |
| 44 | 90016204010 | 2 | BOLT, H.S. 4X10 | |



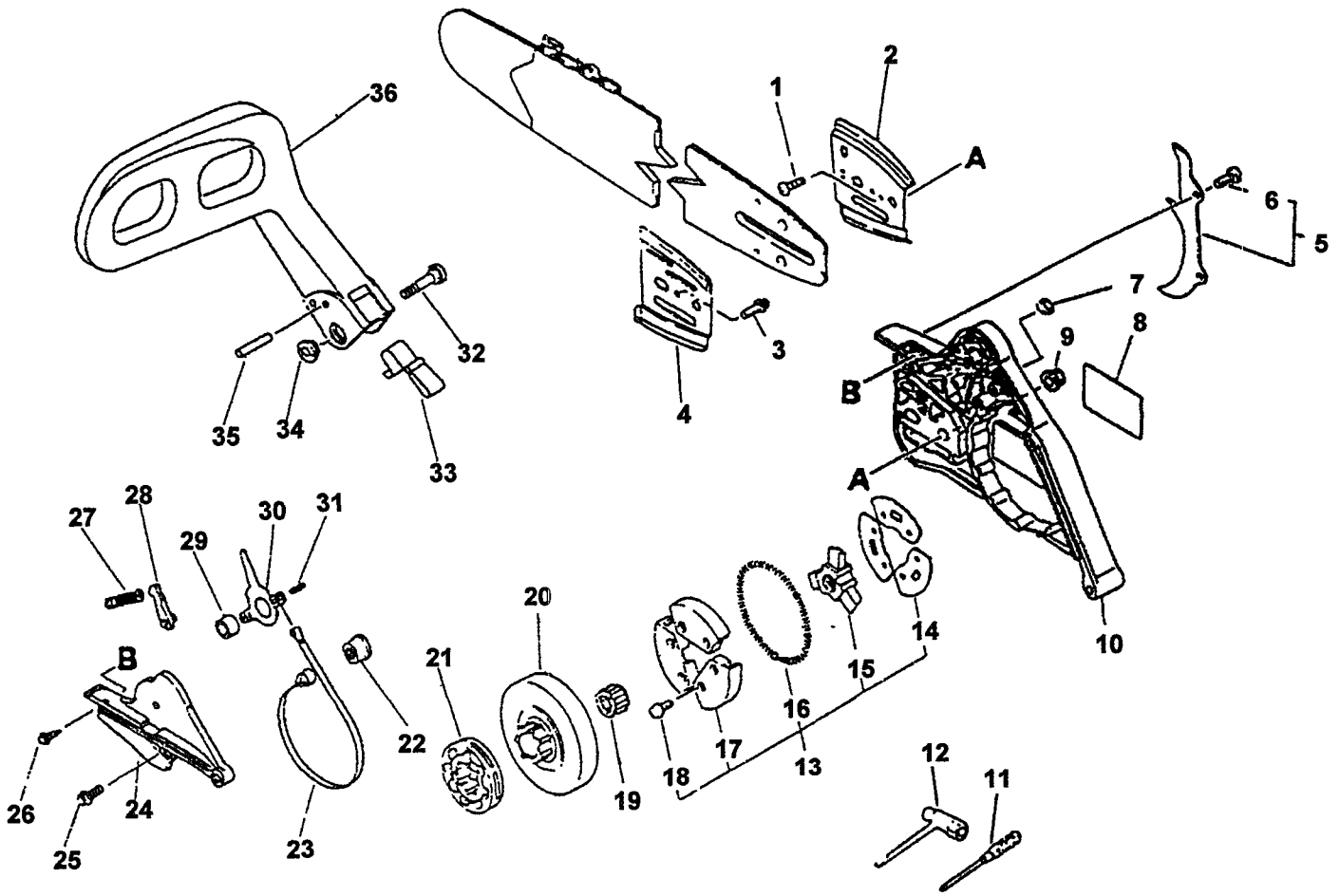
| KEY | PART NUMBER | QTY | DESCRIPTION | REMARKS |
|-----|-------------|-----|----------------------|------------------------|
| 1 | 10153507060 | 1 | COVER, FAN | |
| 2 | 90050000008 | 1 | NUT 8 | |
| 3 | 10014319830 | 1 | WASHER | |
| 4 | 10152132330 | 1 | FAN, COOLING | |
| 5 | 15680032630 | 1 | FLYWHEEL | |
| 6 | 17723419830 | 2 | SPRING, RETURN | |
| 7 | 17724719830 | 2 | SPACER, RATCHET | |
| 8 | 17721832630 | 2 | PAWL, STARTER | |
| 9 | 90060300005 | 2 | WASHER 5 | |
| 10 | 90016205014 | 2 | BOLT, H.S. 5X14 | |
| 11 | 17720007063 | 1 | STARTER ASY | INCLUDES ITEMS 12 - 20 |
| 12 | 17722830830 | 1 | GRIP, STARTER | |
| 13 | 17722707060 | 1 | GUIDE, ROPE | |
| 14 | 17721532330 | 1 | DRUM, STARTER | |
| 15 | 90060300005 | 1 | WASHER 5 | |
| 16 | 90016205014 | 1 | BOLT, H.S 5X14 | |
| 17 | 17722607060 | 1 | ROPE, STARTER | |
| 18 | 17722107060 | 1 | PLATE, STARTER | |
| 19 | 17722002834 | 1 | SPRING, REWIND | |
| 20 | 17722102830 | 1 | PLATE, STARTER | |
| 21 | 89011238130 | 1 | LABEL, ECHO | |
| 22 | 90023805020 | 4 | SCREW 5X20 | |
| 23 | 90016204020 | 4 | BOLT, H.S. 4X20 | |
| 24 | 90024204008 | 1 | SCREW 4X8 | |
| 25 | 15660132630 | 1 | C.D. IGNITION MODULE | |
| 26 | 15901010630 | 1 | PLUG, SPARK BPM-7A | |
| 27 | 15901103532 | 1 | COIL, SPARK PLUG CAP | |
| 28 | 15901203533 | 1 | CAP, SPARK PLUG | |
| 29 | 15061132430 | 1 | TUBE | |



| KEY | PART NUMBER | QTY | DESCRIPTION | REMARKS |
|-----|-------------|-----|-------------------|----------------------|
| 1 | 90072000003 | 2 | O-RING 3 | |
| 2 | 43700037530 | 1 | AUTO-OILER ASY | INCLUDES ITEMS 3 & 6 |
| 3 | 43706630130 | 1 | WASHER, CIRCULAR | |
| 4 | 90016204012 | 3 | BOLT, H.S. 4X12 | |
| 5 | 43760537630 | 1 | COVER, OIL PUMP | |
| 6 | 43706319930 | 1 | GEAR, WORM | |
| 7 | 43721232430 | 1 | CONNECTOR, PIPE | |
| 8 | 43721132430 | 1 | PIPE | |
| 9 | 90070000003 | 1 | E-RING 3 | |
| 10 | 43701519830 | 1 | SPRING | |
| 11 | 43703937630 | 1 | KNOB | |
| 12 | 43620514730 | 1 | STRAINER, OIL | |
| 13 | 43721032430 | 1 | PIPE, OIL (INNER) | |
| 14 | 13211512330 | 1 | GROMMET | |
| 15 | 43721632630 | 1 | PIPE | |
| 16 | 43701300330 | 2 | SPRING, VALVE | |
| 17 | 43701200330 | 2 | VALVE, BALL 3 | |
| 18 | 43712203430 | 2 | O-RING | |
| 19 | 43711819830 | 1 | NIPPLE | |
| 20 | 43720515130 | 1 | PIPE | |
| 21 | 43711238731 | 1 | PISTON, OIL PUMP | |
| 22 | 90072000007 | 1 | O-RING 7 | |
| 23 | 43711119830 | 1 | SPRING, OIL PUMP | |
| 24 | 43711019831 | 1 | BODY, OIL PUMP | |
| 25 | 90034520016 | 1 | PIN, SPRING 2X16 | |
| 26 | 90060300005 | 1 | WASHER 5 | |
| 27 | 90024605020 | 1 | SCREW 5X20 | |
| 28 | 43712110130 | 1 | ADAPTER, OIL PUMP | |
| 29 | 43741319830 | 1 | BRACKET, OIL PUMP | |
| 30 | 43721232630 | 1 | CONNECTOR, PIPE | |
| 31 | 43723232630 | 1 | CONNECTOR, PIPE | |



| KEY | PART NUMBER | QTY | DESCRIPTION | REMARKS |
|-----|-------------|-----|---------------------------|---------|
| 1 | 13201219830 | 2 | PIPE 3X6X100 | |
| 2 | 10091032630 | 3 | CUSHION | |
| 3 | 10091532530 | 3 | BOLT | |
| 4 | 10091819830 | 3 | CAP, CUSHION | |
| 5 | 35115530131 | 1 | COVER, HANDLE | |
| 6 | 90023804014 | 1 | SCREW 4X14 | |
| 7 | 17809037930 | 1 | LOCKOUT, THROTTLE CONTROL | |
| 8 | 17807332430 | 1 | CUSHION, THROTTLE | |
| 9 | 17804319830 | 1 | SPRING, THROTTLE RETURN | |
| 10 | 35111130130 | 1 | GRIP, HANDLE | |
| 11 | 17801038130 | 1 | CONTROL, THROTTLE | |
| 12 | 90034250025 | 1 | PIN, SPRING 5X25 | |
| 13 | 13132932330 | 1 | PLUG, FUEL TANK | |
| 14 | 35110338130 | 1 | HANDLE, REAR | |
| 15 | 17830237930 | 1 | LATCH, THROTTLE | |
| 16 | 10092132431 | 1 | CUSHION | |
| 17 | 13100437630 | 1 | CAP ASY, FUEL | |
| 18 | 13105119830 | 1 | CLIP, FUEL CAP | |
| 19 | 90024603008 | 1 | SCREW 3X8 | |
| 20 | 13105019830 | 1 | RETAINER, LINK | |
| 21 | 90072000029 | 1 | O-RING 29 | |
| 22 | 90023805014 | 4 | SCREW 5X14 | |
| 23 | 10091533930 | 1 | SCREW | |
| 24 | 90023805020 | 5 | SCREW 5X20 | |
| 25 | 35161638230 | 1 | BRACKET, HANDLE | |
| 26 | 35161438230 | 1 | BRACKET, HANDLE | |
| 27 | 35160638130 | 1 | HANDLE, FRONT | |
| 28 | 13011100530 | 1 | CLIP | |
| 29 | 13130040630 | 1 | VENT ASY | |
| 30 | 13132840630 | 1 | COVER, VENT | |
| 31 | 13131232430 | 1 | PIPE, VENT | |
| 32 | 13120530830 | 1 | STRAINER, FUEL | |
| 33 | 13201030830 | 1 | PIPE | |
| 34 | 13211501461 | 2 | GROMMET | |
| 35 | 13201119830 | 1 | CONNECTOR, FUEL PIPE | |



| KEY | PART NUMBER | QTY | DESCRIPTION | REMARKS |
|-----|-------------|-----|-----------------------|---------|
| 1 | 90024103006 | 2 | SCREW 3X6 | |
| 2 | 43301230830 | 1 | PLATE, GUIDE (OUTER) | |
| 3 | 90024104008 | 1 | SCREW 4X8 | |
| 4 | 43301330830 | 1 | PLATE, GUIDE (INNER) | |
| 5 | 88020032430 | 1 | BUMPER, SPIKED | |
| 6 | 88021130130 | 2 | BOLT | |
| 7 | 90050000003 | 1 | NUT 3 | |
| 8 | 89011838130 | 1 | LABEL, ECHO | |
| 9 | 43301912330 | 2 | NUT, FLANGE 8 | |
| 10 | 43300538230 | 1 | GUARD, SPROCKET | |
| 11 | 89581203930 | 1 | SCREWDRIVER 50 | |
| 12 | 89541002830 | 1 | WRENCH, W/SCREWDRIVER | |
| 13 | 17500032431 | 1 | CLUTCH ASY | |
| 14 | 17501916130 | 3 | PLATE, CLUTCH | |
| 15 | 17501632430 | 1 | HUB, CLUTCH | |
| 16 | 17501832430 | 1 | SPRING, CLUTCH | |
| 17 | 17500232430 | 1 | SHOE, CLUTCH | |
| 18 | 90010504006 | 6 | BOLT, H.S. 4X6 | |
| 19 | 17501232430 | 1 | BEARING, NEEDLE | |
| 20 | 17510532430 | 1 | DRUM, CLUTCH | |
| 21 | 17503314731 | 1 | RIM, SPROCKET | |
| 22 | 43314235430 | 1 | ADJUSTER | |
| 23 | 43312338130 | 1 | BAND, BRAKE | |
| 24 | 43331038230 | 1 | COVER, BRAKE | |
| 25 | 90022003018 | 1 | SCREW 3X18 | |
| 26 | 90025204012 | 2 | SCREW 4X12 | |
| 27 | 43312238130 | 1 | SPRING, BRAKE | |
| 28 | 43320935430 | 1 | STOPPER, BRAKE | |
| 29 | 43311635430 | 1 | SPACER | |
| 30 | 43320835430 | 1 | LEVER, BRAKE | |
| 31 | 90034540008 | 1 | PIN, SPRING 4X8 | |
| 32 | 43311337530 | 1 | SCREW | |
| 33 | 43311438130 | 1 | SPRING, RETURN | |
| 34 | 90033035260 | 1 | ROLLER | |
| 35 | 43313730130 | 1 | NUT | |
| 36 | 43310533530 | 1 | LEVER, BRAKE | |

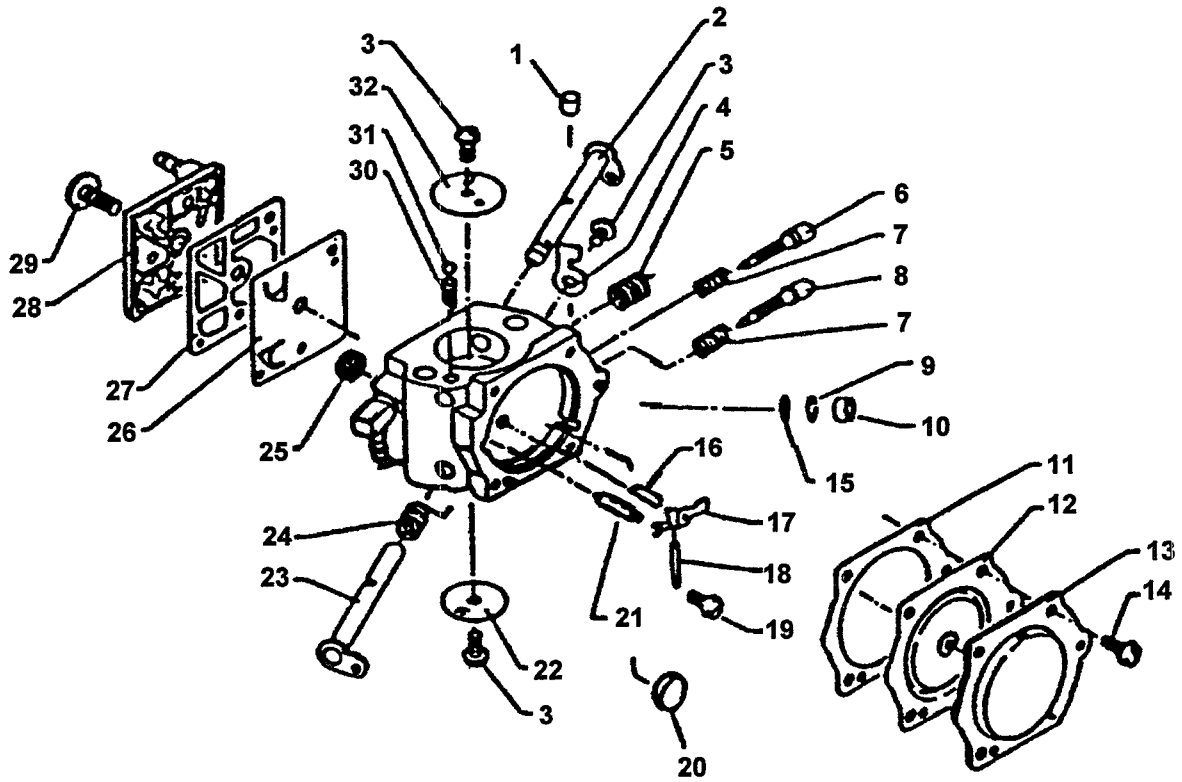
BAR AND CHAIN OPTIONS

| | |
|-----------|---------------------|
| 160386001 | 16" POWER MATCH BAR |
| 200387001 | 20" POWER MATCH BAR |
| 240388101 | 24" POWER MATCH BAR |
| 270389301 | 27" POWER MATCH BAR |

| | |
|--------|--------------------|
| 727060 | 3/8 72LG-60G CHAIN |
| 727070 | 3/8 72LG-70G CHAIN |
| 727081 | 3/8 72LG-81G CHAIN |
| 727093 | 3/8 72LG-93G CHAIN |

ACCESSORIES

| | | |
|-------------|---------------------|-----------------------------|
| 99988801205 | FIXED NOSE CASE | HOLDS UP TO CS-6700 20" BAR |
| 89850308033 | 4.5" X 20" SCABBARD | |



| KEY | PART NUMBER | QTY | DESCRIPTION | REMARKS |
|-----|-------------|-----|----------------------------|------------------------------|
| | 12300032432 | 1 | CARBURETOR HDA-76 | INCLUDES THE FOLLOWING ITEMS |
| 1 | 12317815030 | 1 | PLUG, WELCH | |
| 2 | 12313119830 | 1 | SHAFT, CHOKE | |
| 3 | 12311403930 | 3 | SCREW | |
| 4 | 12315612330 | 1 | STOP, THROTTLE | |
| 5 | 12313311130 | 1 | SPRING, IDLE ADJUST | |
| 6 | 12311818331 | 1 | NEEDLE, IDLE | |
| 7 | B | 2 | SPRIG, NEEDLE | |
| 8 | 12312032430 | 1 | NEEDLE, HIGH SPEED | |
| 9 | B | 1 | RING, RETAINING | |
| 10 | B | 1 | PLUG, WELCH | |
| 11 | A B | 1 | GASKET, METERING DIAPHRAGM | |
| 12 | A B | 1 | DIAPHRAGM, METERING | |
| 13 | 12314217330 | 1 | COVER, PRIMER PUMP | |
| 14 | B | 4 | SCREW | |
| 15 | B | 1 | SCREEN | |
| 16 | B | 1 | SPRING, METERING LEVER | |
| 17 | B | 1 | LEVER, METERING | |
| 18 | B | 1 | PIN, METERING LEVER | |
| 19 | B | 1 | SCREW, METERING LEVER PIN | |
| 20 | B | 1 | PLUG, WELCH | |
| 21 | B | 1 | VALVE, INLET NEEDLE | |
| 22 | 12313216130 | 1 | VALVE, CHOKE | |
| 23 | 12311732630 | 1 | SHAFT, THROTTLE | |
| 24 | 12311316130 | 1 | SPRING, THROTTLE RETURN | |
| 25 | B | 1 | SCREEN, INLET | |
| 26 | A B | 1 | DIAPHRAGM, FUEL PUMP | |
| 27 | A B | 1 | GASKET, FUEL PUMP | |
| 28 | 12312419830 | 1 | COVER, FUEL PUMP | |
| 29 | 12311016130 | 1 | SCREW | |
| 30 | 12313510630 | 1 | SPRING, CHOKE FRICTION | |
| 31 | 12313610630 | 1 | BALL, CHOKE FRICTION | |
| 32 | 12313232430 | 1 | VALVE, CHOKE | |
| A | 12310117330 | 1 | DIAPHRAGM/GASKET KIT | |
| B | 12310019830 | 1 | REPAIR KIT | |