

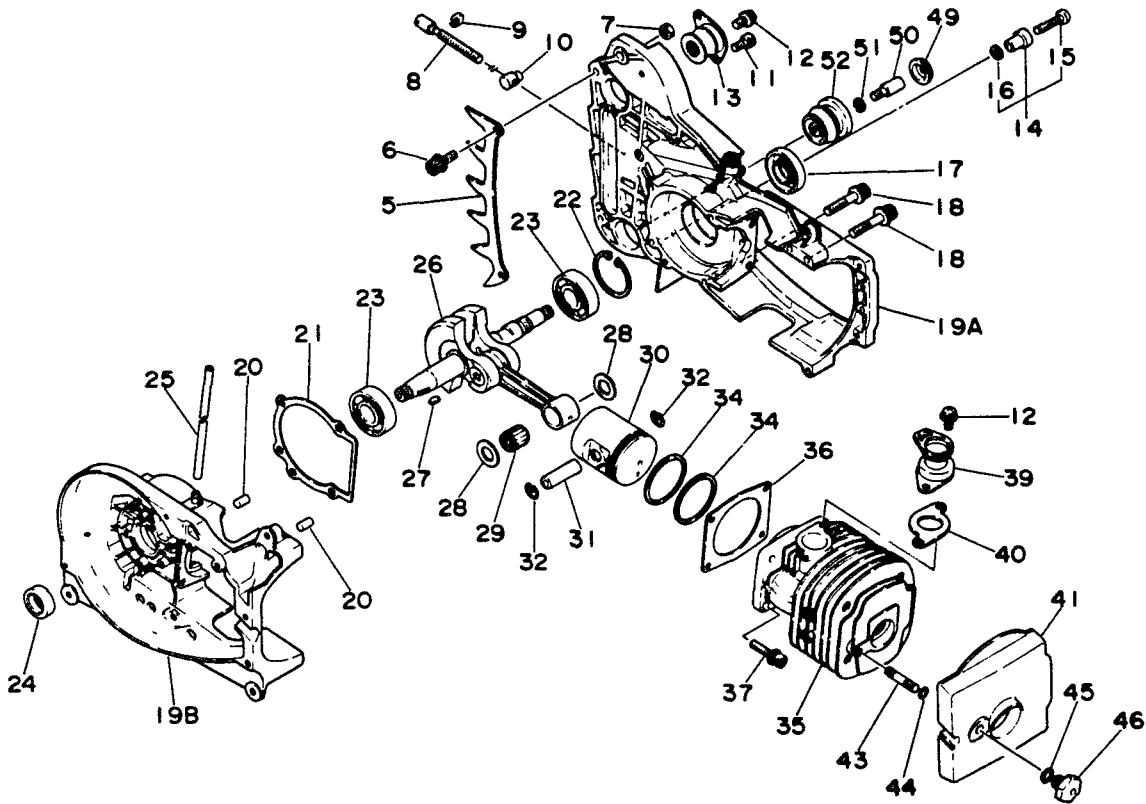


PARTS CATALOG

**CHAIN SAW
CS-660EVL**

**89859518434
1/87**

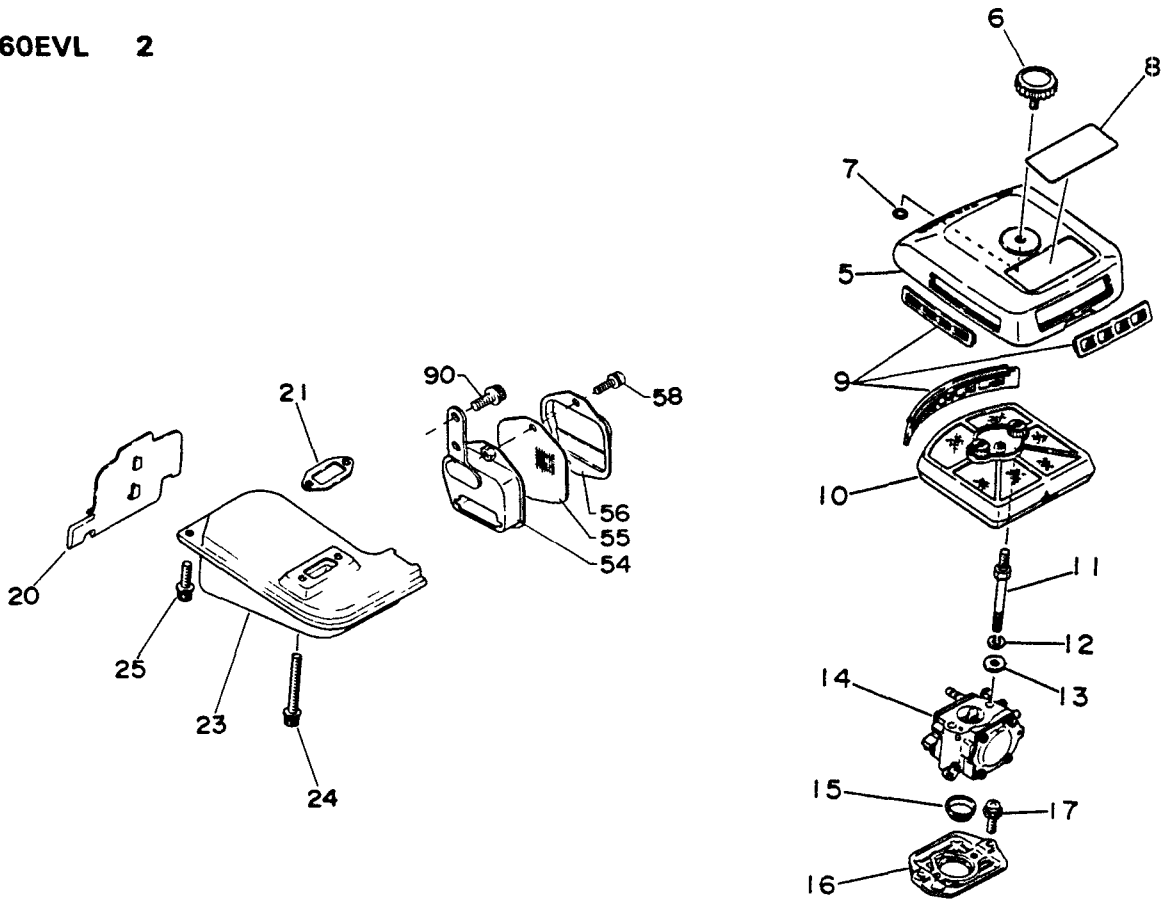
ECHO, INCORPORATED
400 OAKWOOD ROAD
LAKE ZURICH, ILLINOIS 60047
WWW.ECHO-USA.COM



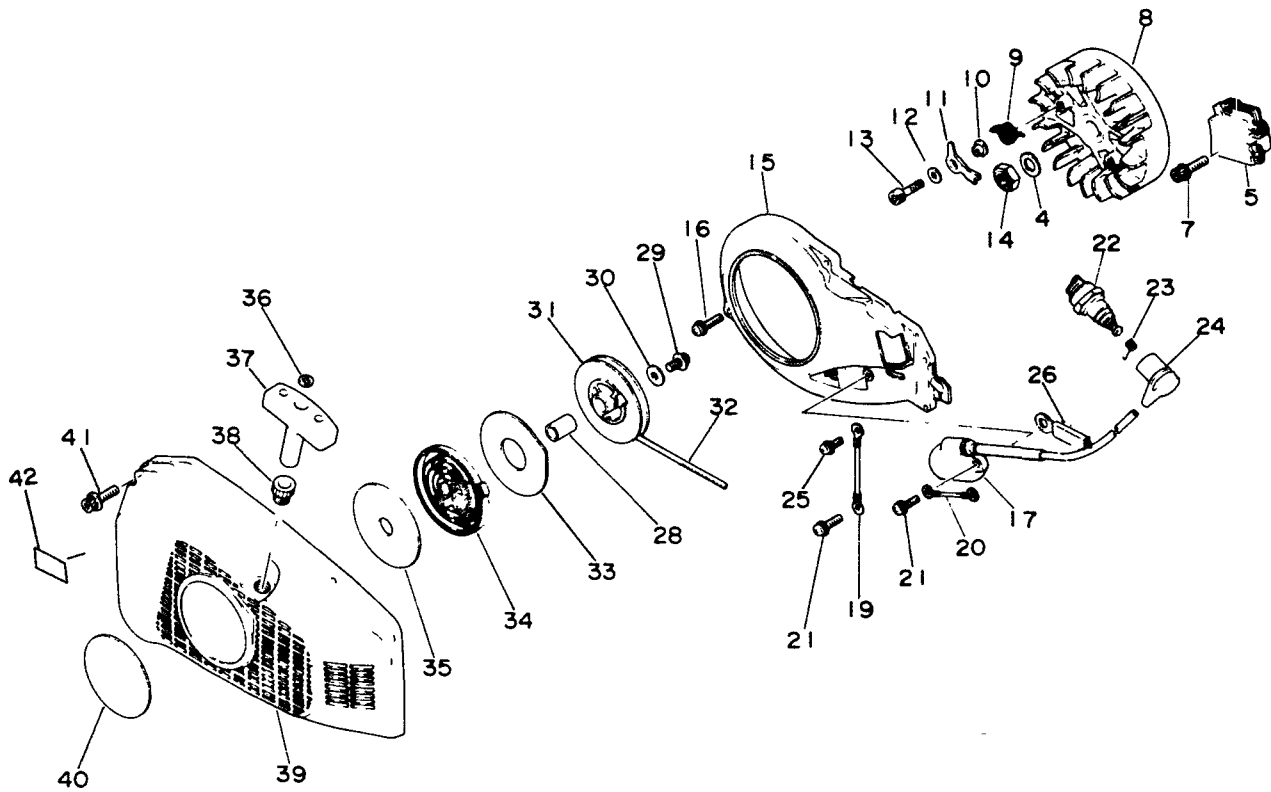
Key No.	Part Number	Q'ty	Description	Key No.	Part Number	Q'ty	Description
1-	5	1	880 210-1433 0 Spike	1-	27	1	100 142-1233 0 Key, woodruff
	6	2	900 106-0501 2 H.S.H bolt 5x12		28	2	100 014-1843 0 Spacer
	7	2	433 020-0083 0 Lock nut 5		29	1	100 012-1843 0 Bearing, needle
	8	1	433 016-1103 1 Screw, adjustment		30	1	100 010-1843 0 Piston
	9	1	433 028-1103 0 Clip		31	1	100 013-0151 0 Pin, piston
	10	1	433 014-0283 0 Tensioner		32	2	100 015-0023 0 Circlip, piston pin
	11	2	900 105-0401 0 H.S.H. bolt 4x10		34	2	100 016-1843 0 Ring, piston
	12	1	900 242-0501 0 Screw 5x10		(A) 35	1	101 011-1843 1 Cylinder
	13	1	100 921-1443 0 Cushion		(A) 36	1	101 010-1433 0 Gasket, cylinder
	14	1	433 000-1283 0 Catcher, chain kit		37	4	900 162-0502 0 H S H bolt 5x20
	15	1	-900 220-0502 5 Screw 5x25		39	1	130 508-1233 1 Adapter, intake
	16	1	-900 600-0000 5 Washer 5		40	1	130 010-1233 0 Gasket
	17	1	100 213-0283 0 Oilseal		41	1	101 514-1433 0 Cover, cylinder
	18	6	900 162-0503 5 H S H bolt 5x35		43	1	101 525-1433 0 Stud
	19	1	100 200-1433 1 Crankcase set		44	1	437 020-0283 0 O-ring
	20	2	-100 215-0283 0 Knock		45	1	900 720-0001 2 O-ring
	21	1	100 242-1433 0 Gasket		46	1	101 519-1433 0 Nut
	22	1	900 702-0003 5 Circlip		49	1	100 918-1433 0 Plug
	23	2	900 810-0620 2 Bearing, ball		50	1	100 915-1433 2 Screw
	24	1	100 213-0031 0 Oilseal		51	1	900 605-0000 5 Lock washer
	25	1	130 110-1433 0 Pipe, impulse		52	1	100 917-1433 0 Cushion
	26	1	100 100-1843 0 Crankshaft ass'y				

(A) See bulletin 884

Remarks: 19 Includes 20

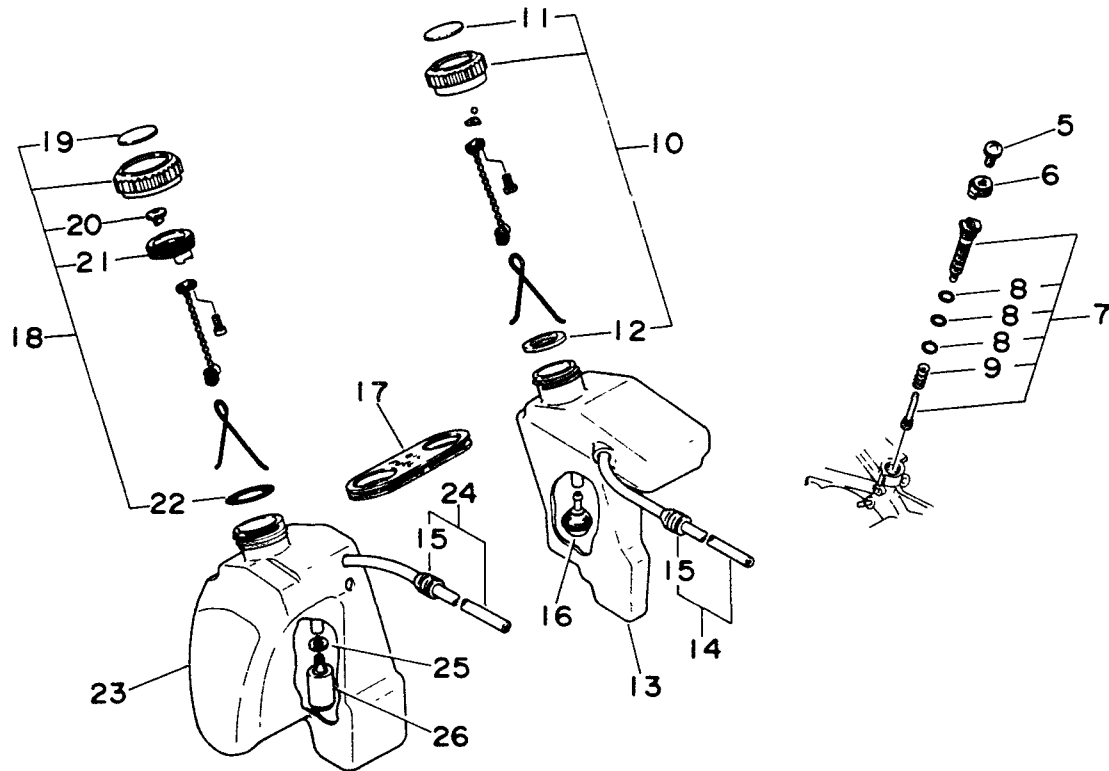


Key No.	Part Number	Q'ty	Description	Key No.	Part Number	Q'ty	Description
2-	5	1	Cover, air cleaner	2-	20	1	Insulator
	6	1	Nut, thumb		21	1	Gasket
	7	1	O-ring 3		23	1	Muffler
	8	1	Decal		24	2	H S H bolt 5x50
	9	1	Screenkit, dust		25	1	H S H bolt 5x20
	10	1	Filter, air		54	1	Adapter
	11	2	Stud		55	1	Screen
	12	2	Lock washer		56	1	Screen holder
	13	2	Washer		58	2	Screw 4x12
	14	1	Carburetor		90	2	H.S.H. bolt 5x12
	15	1	Holder, adapter				
	16	1	Adapter				
	17	2	Screw 4x12				



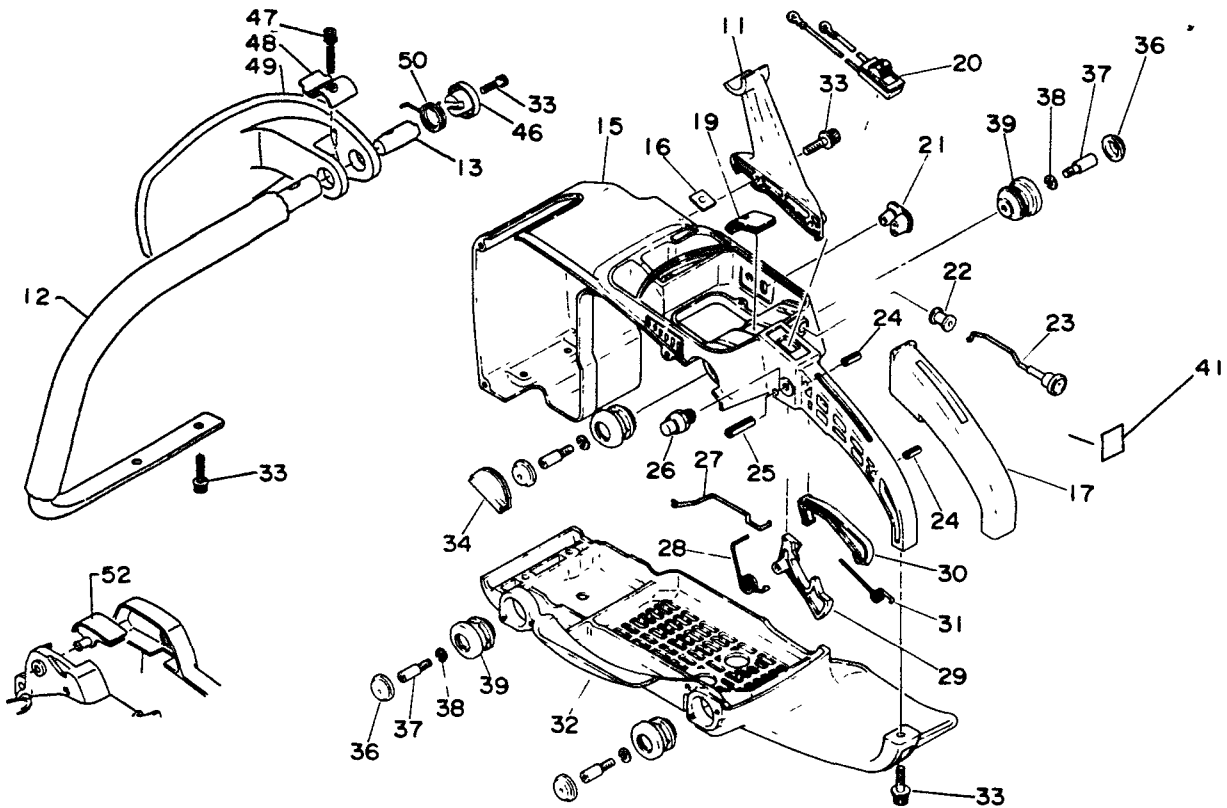
KeyNo.	Part Number	Q'ty	Description	Key No.	Part Number	Q'ty	Description
3-	4	1	Lock washer	3-	* 177 200-1433 0	1	Starter ass'y
	5	1	C D Ignition module	28	-177 216-1233 0	1	Bushing
	7	2	H S H bolt 5x20	29	-900 242-0501 0	1	Screw 5x10
	8	1	Flywheel	30	-177 214-0283 0	1	Washer
	9	2	Spring, pawl	31	-177 206-1433 0	1	Reel, starter
	10	2	Spacer	32	-177 226-0283 0	1	Rope
	11	2	Pawl, starter	33	-177 242-1233 0	1	Plate
	12	2	Washer 5	34	-177 220-0283 4	1	Spring, rewind
	13	2	H S H bolt 5x20	35	-177 221-0283 0	1	Plate
	14	1	Nut	36	-177 229-1433 0	1	Spacer
	15	1	Cover, fan inner	37	-177 228-1233 0	1	Grip
	16	4	Screw 4x20	38	-177 227-0023 0	1	Guide, rope
	17	1	Coil, ignition	39	-101 507-1433 0	1	Cover, fan
	19	1	Lead	40	890 112-1833 1	1	Decal
	20	1	Lead	41	900 162-0502 0	4	H S H bolt 5x20
	21	2	Screw 4x20	42	890 176-1303 1	1	Decal, noise
	22	1	Plug, spark BPM7A				
	23	1	Coil, plug cap				
	24	1	Cap. spark plug				
	25	2	Screw 4x12				
	26	2	Clip				

Remarks: * Includes 28 thru 39.

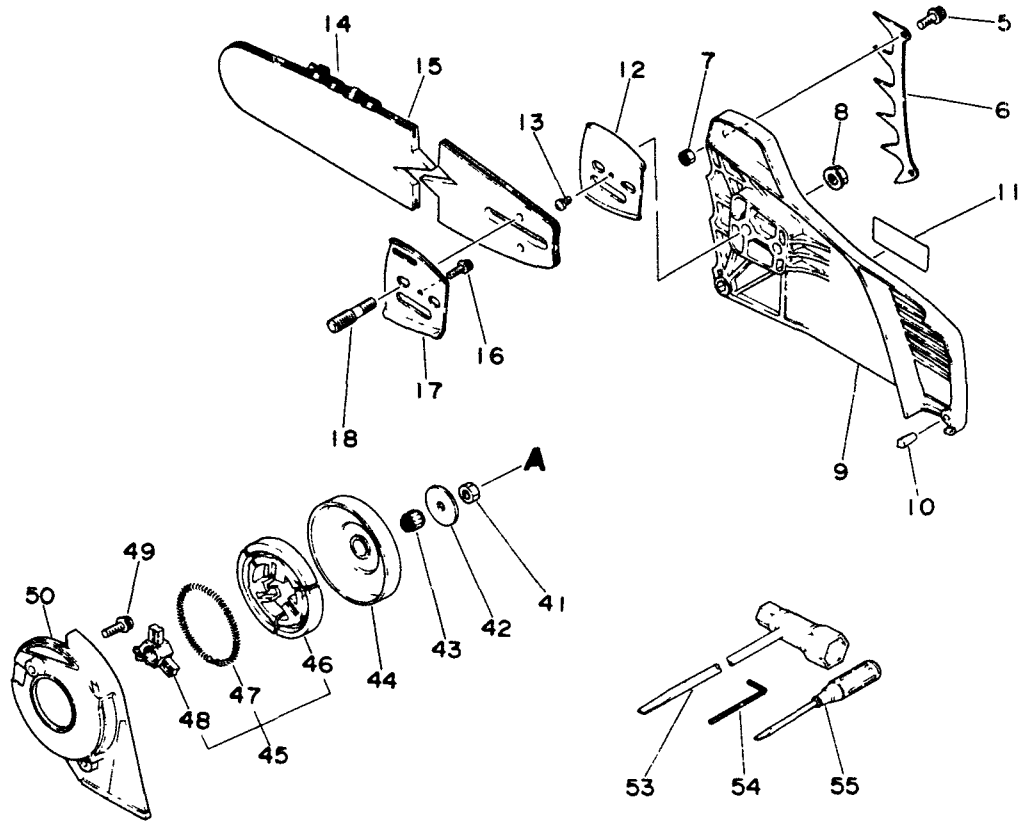


Key No.	Part Number	Q'ty	Description	Key No.	Part Number	Q'ty	Description
4-	5	1	Screw 5x10	4-	20	1	Valve, check
	6	1	Stopper		21	1	Holder
	7	1	Auto oiler ass'y		22	1	O-ring 22
	8	3	O-ring		23	1	Tank, fuel
	9	1	Spring		24	1	Pipe
	10	1	Cap ass'y, oil		15	1	Grommet
	11	1	Decal		25	1	Washer 5
	12	1	Gasket		26	1	Strainer, fuel
	13	1	Tank, oil				
	14	1	Pipe				
	15	1	Grommet				
	16	1	Strainer, oil				
	17	1	Connector				
	18	1	Cap ass'y, fuel				
	19	1	Decal				

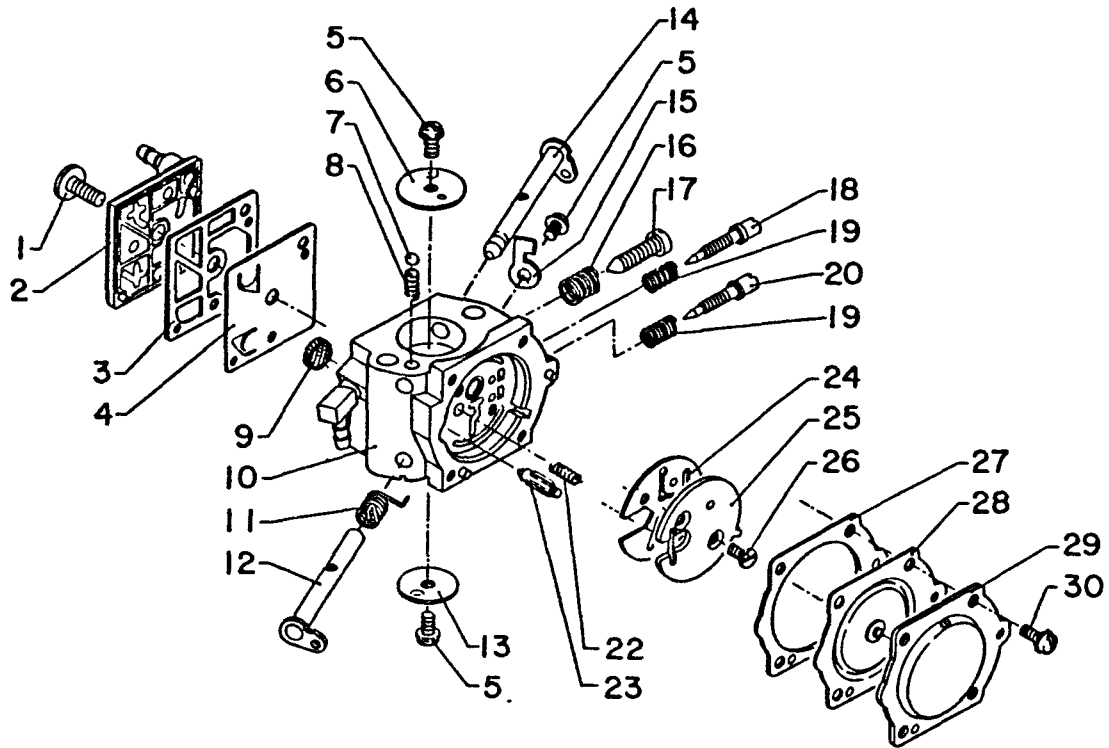
CS-660EVL 5



Key No.	Part Number	Q'ty	Description	Key No.	Part Number	Q'ty	Description
5- 11	351 614-1433 0	1	Supporter	5- 33	900 162-0502 0	6	H S.H. bolt 5x20
12	351 606-1433 0	1	Handle, front	34	351 138-1433 2	1	Cover, cushion
13	-351 617-1023 0	1	_Insert	36	100 918-1433 0	4	Plug
15	351 110-1433 0	1	Handle, rear	37	100 915-1433 2	4	Screw
16	351 137-1233 0	1	Stopper	38	900 605-0000 5	4	Lock washer
17	351 111-1233 0	1	Grip, rear handle	39	100 910-1433 0	4	Cushion
19	178 210-1433 0	1	Grommet	41	890 121-1233 1	1	Decal, noise
20	163 400-1433 0	1	Switch, stop	46	351 833-1513 0	1	Retainer
21	129 010-1233 0	1	Grommet	47	900 162-0503 5	1	H.S.H. bolt 5x35
22	178 810-1123 1	1	Grommet	48	351 840-1433 0	1	Stopper
23	178 510-14330	1	Rod, choke	49	351 826-1433 0	1	Hand guard, front
24	900 340-4001 3	2	Pin, spring	50	351 836-1373 0	1	Spring, return
25	900 340-5002 5	1	Pin, spring	52	100 612-1233 2	1	Cover
26	178 302-1233 0	1	Latch, throttle	Remarks: 12 Includes 13.			
27	178 011-1433 0	1	Rod, throttle				
28	178 043-1513 0	1	Spring, return				
29	178 010-1233 3	1	Trigger, throttle				
30	178 090-1233 0	1	Lockout, throttle				
31	178 091-1053 1	1	Spring				
32	351 123-1443 1	1	Supporter				

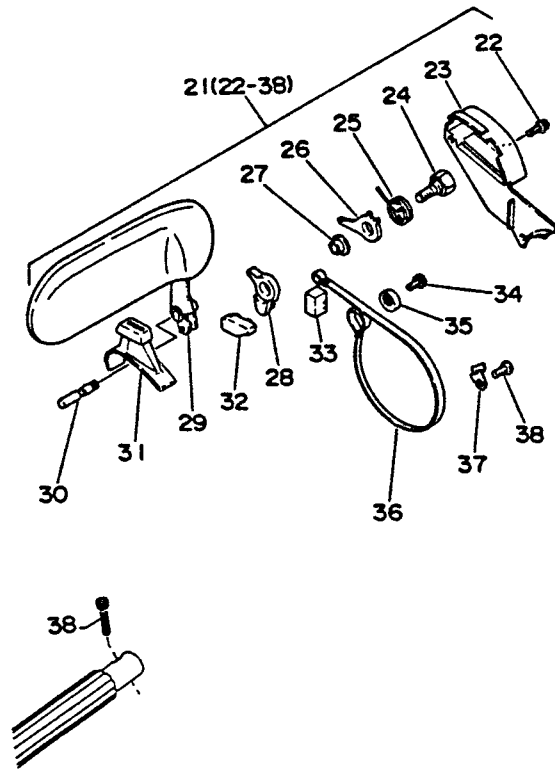


Key No.	Part Number	Q'ty	Description	Key No.	Part Number	Q'ty	Description		
6-	5	900 106-0501 2	2	H S H bolt 5x12	6-	41	100 129-0343 0	1	Nut
	6	880 210-1433 0	1	Spike		42	175 015-0343 0	1	Washer
	7	433 020-0083 0	2	Nut, lock	43	100 012-1233 0	1	Bearing, needle	
	8	433 019-1233 0	2	Nut	44	175 005-1433 0	1	Drum, clutch	
	9	433 010-1843 0	1	Guard, sprocket	45	175 000-1233 0	1	Clutch ass'y	
	10	433 030-1443 0	1	Knock	46	-175 017-0283 0	3	Shoe	
	11	890 118-1833 1	1	Decal, ECHO	47	-175 018-0283 0	1	Spring	
	12	433 012-1233 2	1	Plate, outer	48	-175 016-0343 0	1	Hub	
	13	900 220-0300 6	2	Screw 3x6	49	900 242-0501 6	2	Screw 5x16	
	14	_____	1	Chain	50	175 310-1433 0	1	Seal plate	
	15	_____	1	Bar, guide	53	895 410-0283 0	1	Wrench	
	16	900 242-0401 2	1	Screw 4x12	54	895 610-0013 0	1	L-wrench 4	
	17	433 013-1233 2	1	Plate, inner	55	895 812-0393 0	1	Screw driver	
	18	433 011-1233 0	2	Stud					



Key No.	Part Number	Q'ty	Description	Key No.	Part Number	Q'ty	Description
7- *	123 000-1903 0	1	Carburetor ass'y HDB17	7-16	-123 133-1113 0	1	Spring, idle screw
1	-123 110-0393 0	1	Screw, pump cover	17	-123 134-1113 0	1	Screw, idle adjustment
2	-123 124-1233 0	1	Cover fuel pump	18	-123 118-1233 0	1	Needle, idle
3	-123 125-1233 0	1	Gasket, fuel pump	19	-123 121-0393 0	2	Spring, needle
4	-123 112-1233 0	1	Diaphragm, fuel pump	20	-123 120-1233 0	1	Needle, high speed
5	-123 114-0393 0	3	Screw throttle valve	22	-123 122-0393 0	1	Spring, metering lever
6	-123 132-1233 0	1	Valve, choke	23	-123 137-0393 0	1	Valve, inlet needle
7	-123 136-1063 0	1	Ball, choke friction	24	-123 164-1233 0	1	Gasket, circuit plate
8	-123 135-1063 0	1	Spring, choke friction	25	-123 166-1233 0	1	Plate, circuit
9	-123 126-1063 1	1	Screen, inlet	26	-123 167-1233 0	2	Screw, circuit plate
11	-123 113-1233 0	1	Spring, throttle return	27	-123 140-1063 0	1	Gasket, metering diaphragm
12	-123 117-1233 0	1	Shaft ass'y, throttle	28	-123 141-1233 0	1	Diaphragm, metering
13	-123 116-0393 0	1	Valve, throttle	29	-123 142-1233 0	1	Cover, metering diaphragm
14	-123 131-1233 0	1	Shaft ass'y, choke	30	-123 130-0296 0	4	Screw
15	-123 156-1233 0	1	Throttle stop				

Remarks: * Consists of 1 thru 30.



Key No.	Part Number	Q'ty	Description
21	433 100-1443 0	1	Brake ass'y, chain
22	-900 242-0401 2	3	Screw 4x12
23	-433 310-1433 0	1	Cover
24	-433 134-1233 0	1	Bolt
25	-433 114-1233 0	1	Spring
26	-433 119-1233 0	1	Stopper
27	-433 115-1233 0	1	Spacer
28	-433 117-1233 0	1	Connector
29	-433 105-1253 0	1	Handle
30	-433 113-1233 0	1	Shaft
31	-433 312-1233 0	1	Cover, lever
32	-433 149-1253 0	1	Reset rubber
33	-433 313-1233 0	1	Seal
34	-900 241-0501 0	1	Screw 5x10
35	-433 142-1233 0	1	Adjuster
36	-433 123 1433 0	1	Band, brake
37	-433 144-1433 0	1	Retainer
38	-900 162-0502 5	1	H.S.H. bolt 5x25