



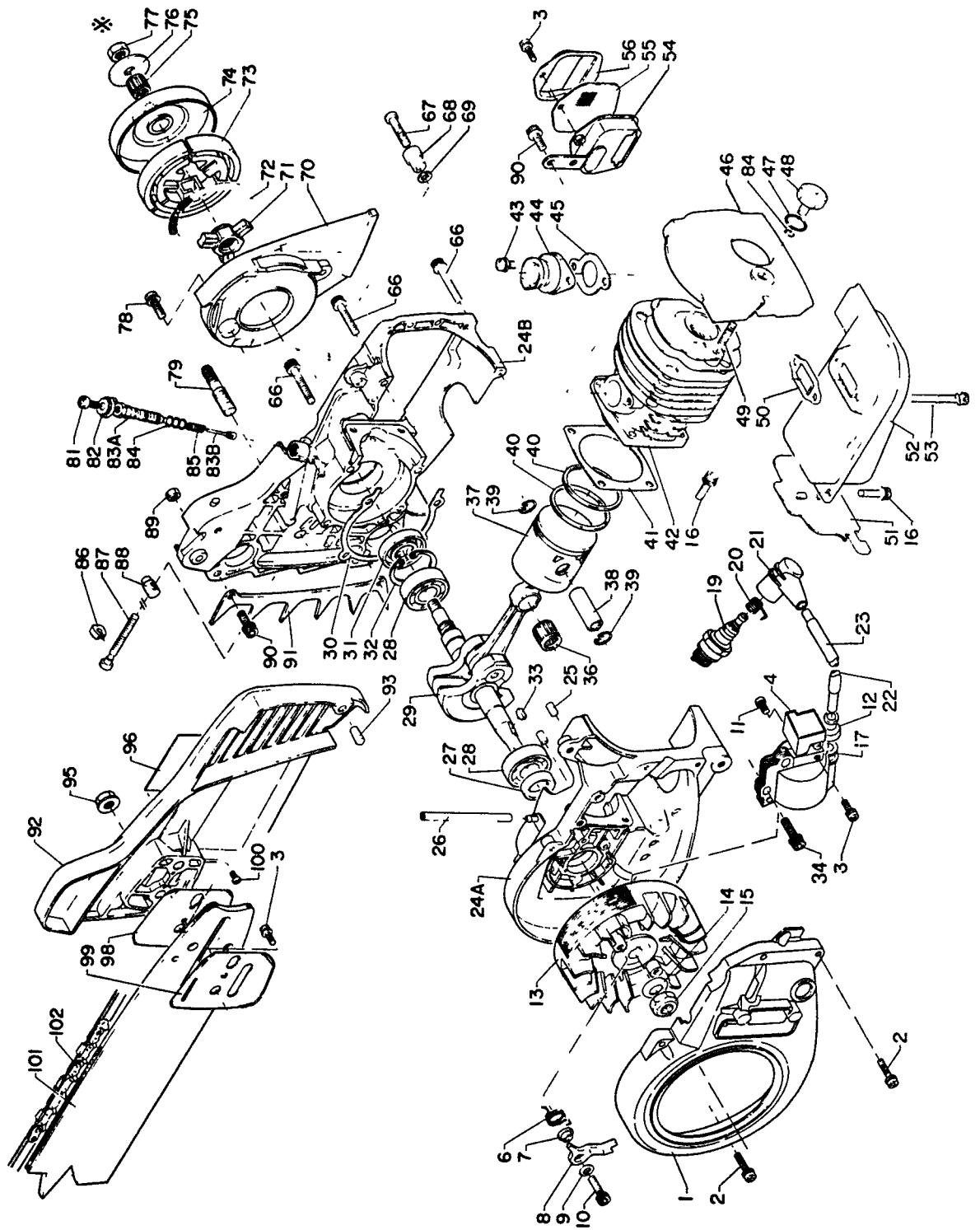
---

**PARTS CATALOG**

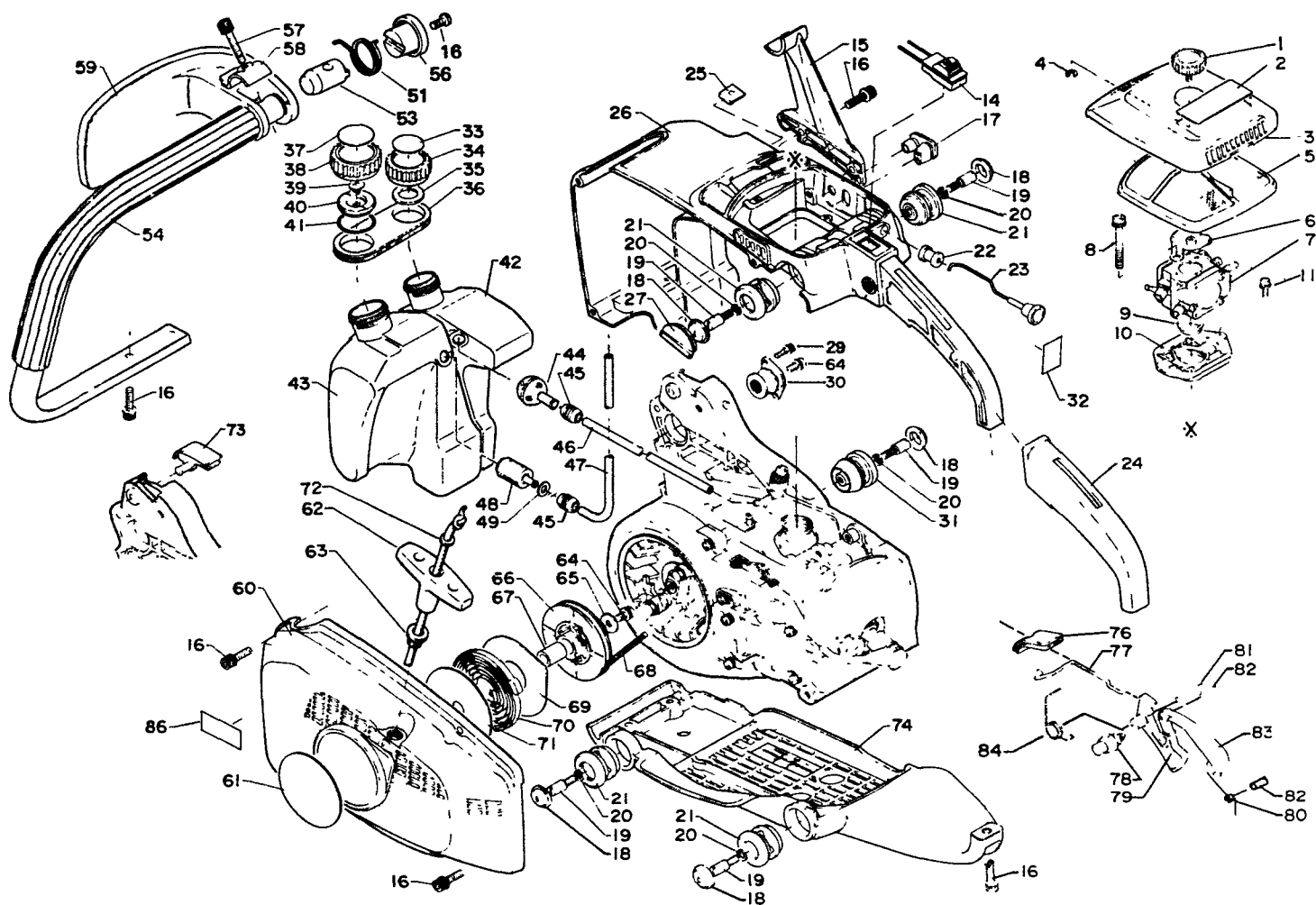
**CHAIN SAW  
CS-650EVL**

**89859514330  
1/84**

**ECHO, INCORPORATED**  
400 OAKWOOD ROAD  
LAKE ZURICH, ILLINOIS 60047  
[WWW.ECHO-USA.COM](http://WWW.ECHO-USA.COM)



Key No.	Part No.	Q'ty	Description	Key No.	Part No.	Q'ty	Description
1- 1	101 535-1433 1	1	Fan cover, inner	1- 68	433 000-1283 0	1	Chain catcher kit
2	900 242-0402 0	4	Screw 4x20	67	-900 220-0502 5	1	Screw 5x25
3	900 242-0401 2	3	Screw 4x12	69	-900 600-0000 5	1	Washer 5
**	150 602-1433 1	1	Ignition coil ass'y (w/H.T. cord, Module)	70	175 310-1433 0	1	Plate
3	-900 242-0401 2	1	Screw 4x12	*	175 000-1233 0	1	Clutch ass'y
4	-150 601-1433 3	1	T.C. Ignition module	71	-175 016-0343 0	1	Clutch boss
11	-900 241-0400 6	1	Screw 4x6	72	-175 018-0283 0	1	Clutch spring
17	-150 626-1433 3	1	Ignition coil	73	-175 017-0283 0	3	Clutch shoe
12	--150 632-1433 0	1	Cap	74	175 005-1103 0	1	Clutch case
22	--150 631-1433 0	1	H.T. cord	75	100 012-1233 0	1	Needle bearing
23	--150 633-1433 0	1	Tube	76	175 015-0343 0	1	Washer
6	177 234-1233 0	2	Return spring, ratchet	77	100 129-0343 0	1	Nut, 8 L-h
7	177 247-1233 0	2	Spacer	78	900 242-0501 6	2	Screw 5x16
8	177 218-1433 1	2	Ratchet	79	433 011-1233 0	2	Stud, guide bar
9	900 603-0000 5	2	Washer 5	81	900 220-0501 0	1	Screw 5x10
10	900 105-0502 0	2	H.S.H. bolt 5x20	82	437 059-1113 3	1	Lock washer
13	150 801-1433 0	1	Flywheel	83	437 000-0343 0	1	Auto. oiler ass'y
14	100 143-1433 0	1	Flat spring	84	-437 020-0283 0	3	O-ring
15	100 144-1233 1	1	Nut	85	-437 019-0283 0	1	Coil spring
16	900 162-0502 0	5	H.S.H. bolt 5x20	84	437 020-0283 0	1	O-ring
19	159 010-1063 0	1	Spark plug	86	433 028-1103 0	1	Clip
20	159 011-0343 2	1	Coil spring, cap	87	433 016-1103 1	1	Screw, adjustment
21	159 012-0343 3	1	Cap, sprk plug	88	433 014-0283 0	1	Tensioner
24	100 200-1433 1	1	Crankcase set	89	433 020-0083 0	2	Lock nut 5
25	-100 215-0283 0	2	Knock pin	90	900 106-0501 2	4	H.S.H. bolt 5x12
26	130 110-1433 0	1	Pipe, impulse	91	880 210-1433 0	1	Spike
27	100 213-0031 0	1	Oil seal	92	433 010-1443 1	1	Cover, guide bar
28	900 810-0620 2	2	Ball bearing 6202	93	433 030-1443 0	1	Knock pin
29	100 100-1433 3	1	Crankshaft ass'y	95	433 019-1233 0	2	Flange nut
30	100 242-1433 0	1	Gasket, crankcase	96	890 021-0393 2	1	Decal, ECHO
31	100 213-0283 0	1	Oil seal	98	433 012-1233 2	1	Side plate
32	900 702-0003 5	1	Circlip 35	99	433 013-1233 2	1	Side plate
33	100 142-1233 0	1	Woodruff key	100	900 220-0300 6	1	Screw 3x6
34	900 106-0502 0	2	H.S.H. bolt 5x20	101	_____	1	Guide bar
36	100 012-0283 0	1	Needle bearing	102	_____	1	Saw chain
37	100 010-1433 0	1	Piston				
38	100 013-0151 0	1	Piston pin	<b>Remarks:</b> <b>24</b> Includes 25. * Consists of 71 thru 73.  <b>68</b> Includes 67 and 69. <b>83</b> Includes 84 and 85. *** Consists of 3, 4, 11, 12, 17, 22 and 23. <b>17</b> Consists of 12, 22 and 23.			
39	100 015-0023 0	2	Circlip, piston pin				
40	100 011-1433 0	2	Piston ring				
41	101 010-1433 0	1	Gasket, cylinder base				
42	101 011-1433 0	1	Cylinder				
43	900 242-0501 0	2	Screw 5x10				
44	130 508-1233 1	1	Adapter, intake				
45	130 010-1233 0	1	Gasket				
46	101 514-1433 0	1	Cylinder cover				
47	900 720-0001 2	1	O-ring				
48	101 519-1433 0	1	Nut				
49	101 525-1433 0	1	Stud				
50	145 510-1233 0	1	Gasket, muffler				
51	100 270-1433 0	1	Insulator				
52	145 610-1433 0	1	Muffler				
53	900 162-0504 5	2	H.S.H. bolt 5x45				
54	145 806-1433 0	1	Adapter				
55	145 862-1433 0	1	Screen				
56	145 863-1433 0	1	Screen holder				
66	900 162-0503 5	6	H.S.H. bolt 5x35				



Key No.	Part No.	Q'ty	Description	Key No.	Part No.	Q'ty	Description
2- 1	130 406-1433 0	1	Thumb bolt	2- 23	178 510-1433 0	1	Choke rod
2	890 151-1433 1	1	Decal	24	351 111-1233 0	1	Grip rear handle
3	130 313-1433 2	1	Cover, air cleaner	25	351 137-1233 0	1	Stopper, cushion
4	900 720-0000 3	1	O-ring 3	26	351 110-1433 0	1	Rear handle
5	130 310-1433 0	1	Air filter	27	351 138-1433 2	1	Cover, cushion
6	130 420-1433 0	1	Bracket, air cleaner	29	900 105-0401 0	2	H.S.H. bolt 4x 10
7	123 000-1433 2	1	Carburetor ass'y	30	100 921-1443 0	1	Side cushion
8	900 242-0504 5	2	Screw 5x45	31	100 917-1433 0	1	Cushion
9	130 511-1233 0	1	Holder, intake adapter	32	890 112-1233 1	1	Decal, choke
10	130 013-1233 1	1	Adapter, carburetor	34	<b>436 002-1363 0</b>	1	<b>Cap ass'y, oil tank</b>
11	900 242-0401 2	2	Screw 4x12	33	-890 153-1143 0	1	Decal, chain oil
14	163 400-1433 0	1	Switch	35	-436 012-1233 0	1	Gasket, oil tank cap
15	351 614-1433 0	1	Supporter	36	131 038-1233 1	1	Connector
16	900 162-0502 0	10	H.S.H. bolt 5x20	38	<b>131 600-1233 1</b>	1	<b>Cap ass'y, fuel tank</b>
17	129 010-1233 0	1	Grommet	37	-890 154-1513 0	1	Decal, fuel mix
18	100 918-1433 0	5	Plug	39	-131 314-0033 0	1	Check valve
19	100 915-1433 2	5	Screw	40	-131 015-1233 0	1	Holder, check valve
20	900 605-0000 5	5	Spring washer 5	41	-900 720-0002 2	1	O-ring 22
21	100 910-1433 0	4	Cushion	42	436 010-1433 0	1	Chain oil tank
22	178 810-1123 1	1	Grommet	43	131 010-1433 0	1	Fuel tank

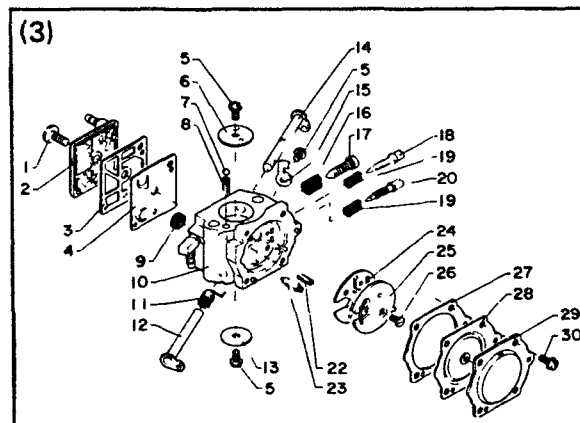
Key No.	Part No.	Q'ty	Description	Key No.	Part No.	Q'ty	Description
2- 44	436 205-1473 0	1	Oil strainer	2- 67	-177 216-1233 0	1	Bush
46	437 205-1433 0	1	Pipe (w/grommet)	68	-177 226-0283 0	1	Starter rope
45	-132 115-1233 0	1	Grommet	69	-177 242-1233 0	1	Side plate
7	132 007-1433 0	1	Pipe (w/grommet)	70	-177 220-0283 4	1	Rewind spring
+5	-132 115-1233 0	1	Grommet	71	-177 221-0283 0	1	Side plate
48	131 205-0083 0	1	Fuel strainer				
49	900 603-0000 5	1	Washer 5	72	-177 229-1433 0	1	Spacer
51	351 836-1373 0	1	Spring, guard	61	890 112-1233 1	1	Decal, ECHO
53	351 617-1023 0	1	Insert, front handle	64	900 242-0501 0	1	Screw 5x10
54	351 606-1433 0	1	Front handle	73	100 612-1233 2	1	Cover
56	351 833-1513 0	1	Retainer	74	351 123-1433 1	1	Supporter
57	900 162-0503 5	1	H.S.H. bolt 5x35	76	178 210-1433 0	1	Grommet
58	351 840-1433 0	1	Stopper	77	178 011-1433 0	1	Throttle rod
59	351 826-1433 0	1	Hand guard, front	78	178 302-1233 0	1	Throttle latch
*	<b>177 200-1433 0</b>	1	<b>Recoil starter ass'y</b>	79	178 010-1233 2	1	Throttle trigger
60	-101 507-1433 0	1	Fan cover	80	178 091-1053 1	1	Spring
62	-177 228-1233 0	1	Starter handle	81	900 340-5002 5	1	Spring pin 5x25
63	-177 227-0023 0	1	Rope guide	82	900 340-4001 3	2	Spring pin 4x13
64	-900 242-0501 0	1	Screw 5x10	83	178 090-1233 0	1	Throttle control lockout
65	-177 214-0283 0	1	Washer	84	178 043-1513 0	1	Return spring
66	-177 206-1433 0	1	Recoil drum	86	890 176-1303 1	1	Decal, noise

Remarks:

34 Includes 33 thru 35.

38 Includes 37 thru 41.

\* Consists of 60 and 62 thru 72.

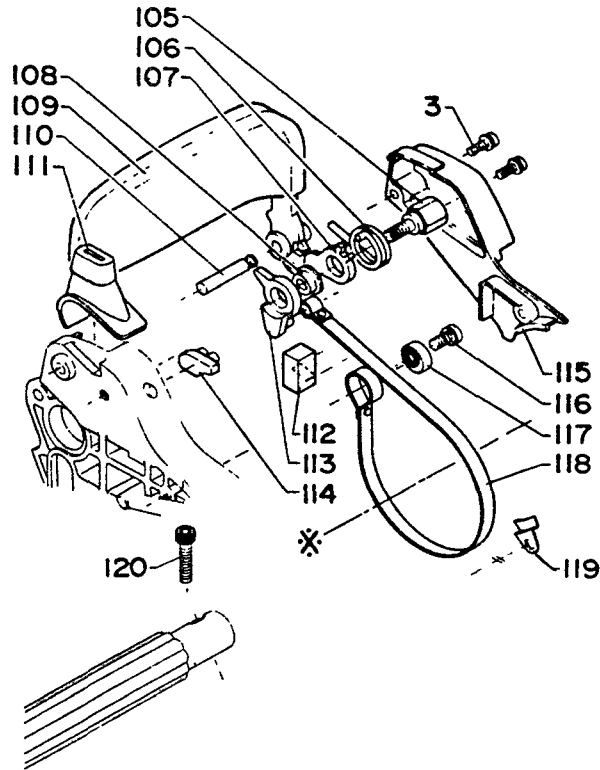


Key No.	Part No.	Q'ty	Description	Key No.	Part No.	Q'ty	Description
3- *	<b>123 000-1433 2</b>	1	<b>Carburetor ass'y HDB11B</b>	3-16	-123 133-1113 0	1	Spring, idle screw
1	-123 110-0393 0	1	Screw, pump cover	17	-123 134-0653 0	1	Screw, idle adjustment
2	-123 124-1233 1	1	Cover, fuel pump	18	-123 118-1233 0	1	Needle, idle
3	-123 125-1233 0	1	Gasket, fuel pump	19	-123 121-0393 0	2	Spring, needle
4	-123 112-1233 0	1	Diaphragm, fuel pump	20	-123 120-1233 0	1	Needle, high speed
5	-123 114-0393 0	3	Screw throttle valve	22	-123 122-0393 0	1	Spring, metering lever
6	-123 132-1233 0	1	Valve, choke	23	-123 137-0393 0	1	Valve, inlet needle
7	-123 136-1063 0	1	Ball, choke friction	24	-123 164-1233 0	1	Gasket, circuit plate
8	-123 135-1063 0	1	Spring, choke friction	25	-123 166-1233 0	1	Plate, circuit
9	-123 126-1063 1	1	Screen, inlet	26	-123 167-1233 0	2	Screw, circuit plate
11	-123 113-1233 0	1	Spring, throttle return	27	-123 140-1063 0	1	Gasket, metering diaphragm
12	-123 117-1233 0	1	Shaft ass'y, throttle	28	-123 141-1233 0	1	Diaphragm, metering
13	-123 116-0393 0	1	Valve, throttle	29	-123 142-1233 0	1	Cover, metering diaphragm
14	-123 131-1233 0	1	Shaft ass'y, choke	30	-123 144-0393 0	4	Screw
15	-123 156-1233 0	1	Throttle stop	(10)	-Not Available	1	Body ass'y, carburetor

Remarks:

\* Consists of 1 thru 30.  
Except 21.

### Chain brake type



Key No.	Part No.	Q'ty	Description
**	<b>433 100-1433 0</b>	<b>1</b>	<b>Chain brake ass'y</b>
3	-900 242-0401 2	3	Screw 4x12
105	-433 134-1233 0	1	Pivot bolt
106	-433 114-1233 0	1	Spring
107	-433 119-1233 0	1	Stopper
108	-433 115-1233 0	1	Spacer
109	-433 105-1233 1	1	Handle
110	-433 113-1233 0	1	Pin
111	-433 312-1233 0	1	Brake band cover
112	-433 313-1233 0	1	Dust seal
113	-433 117-1233 0	1	Connector
114	-433 149-1253 0	1	Reset rubber
115	-433 310-1433 0	1	Cover
116	-900 241-0501 0	1	Screw 5x10
117	-433 142-1233 0	1	Brake band adjuster
118	-433 123-1433 0	1	Brake band
119	-433 144-1433 0	1	Brake band retainer
120	-900 162-0502 5	1	H.S.H. bolt 5x25