

ECHO

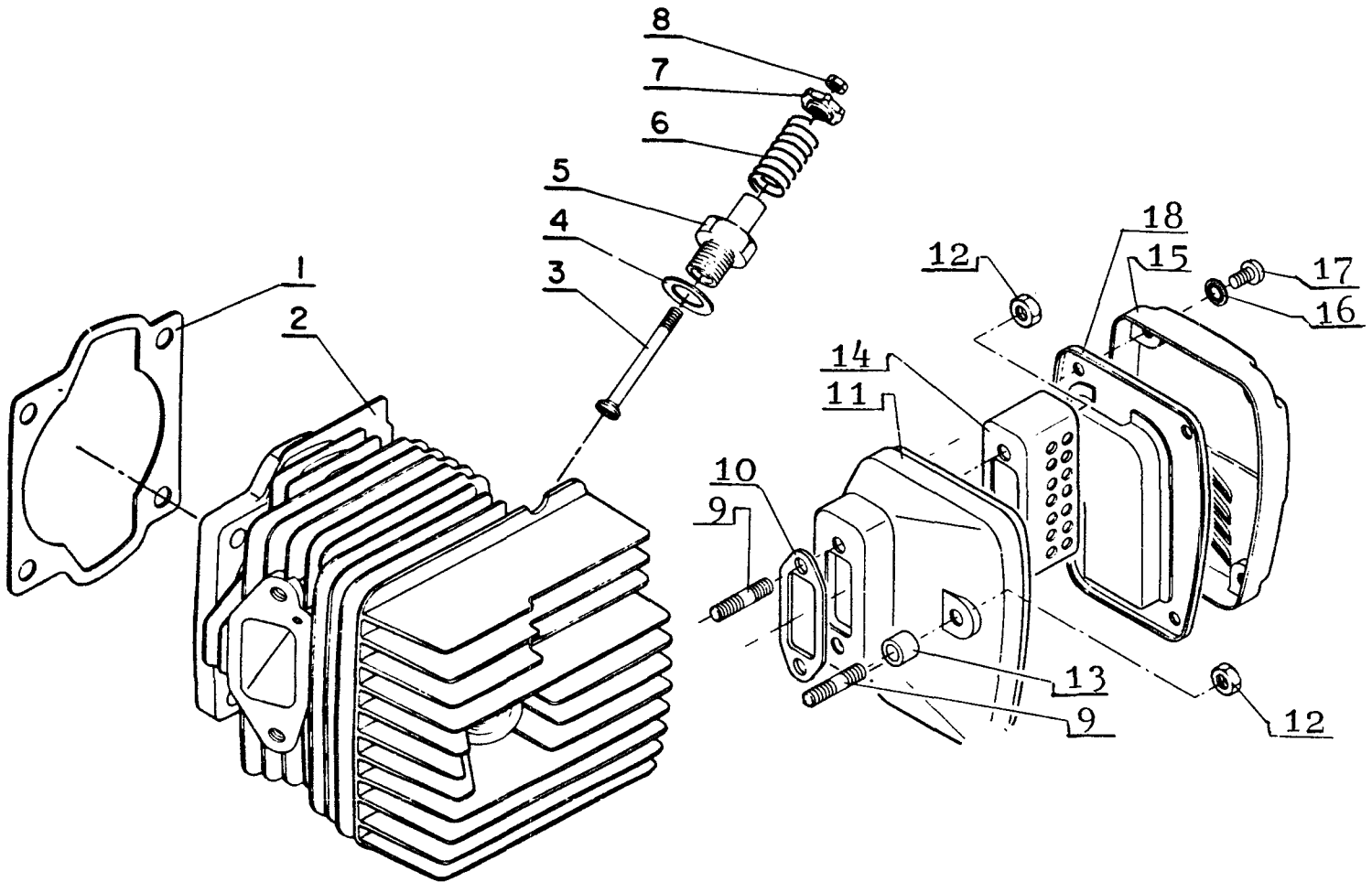
CHAIN SAW

PARTS CATALOGUE

CS-601S
CS-601SVL
CS-701SVL

CS-701SVL
 CS-601S
 CS-601SVL

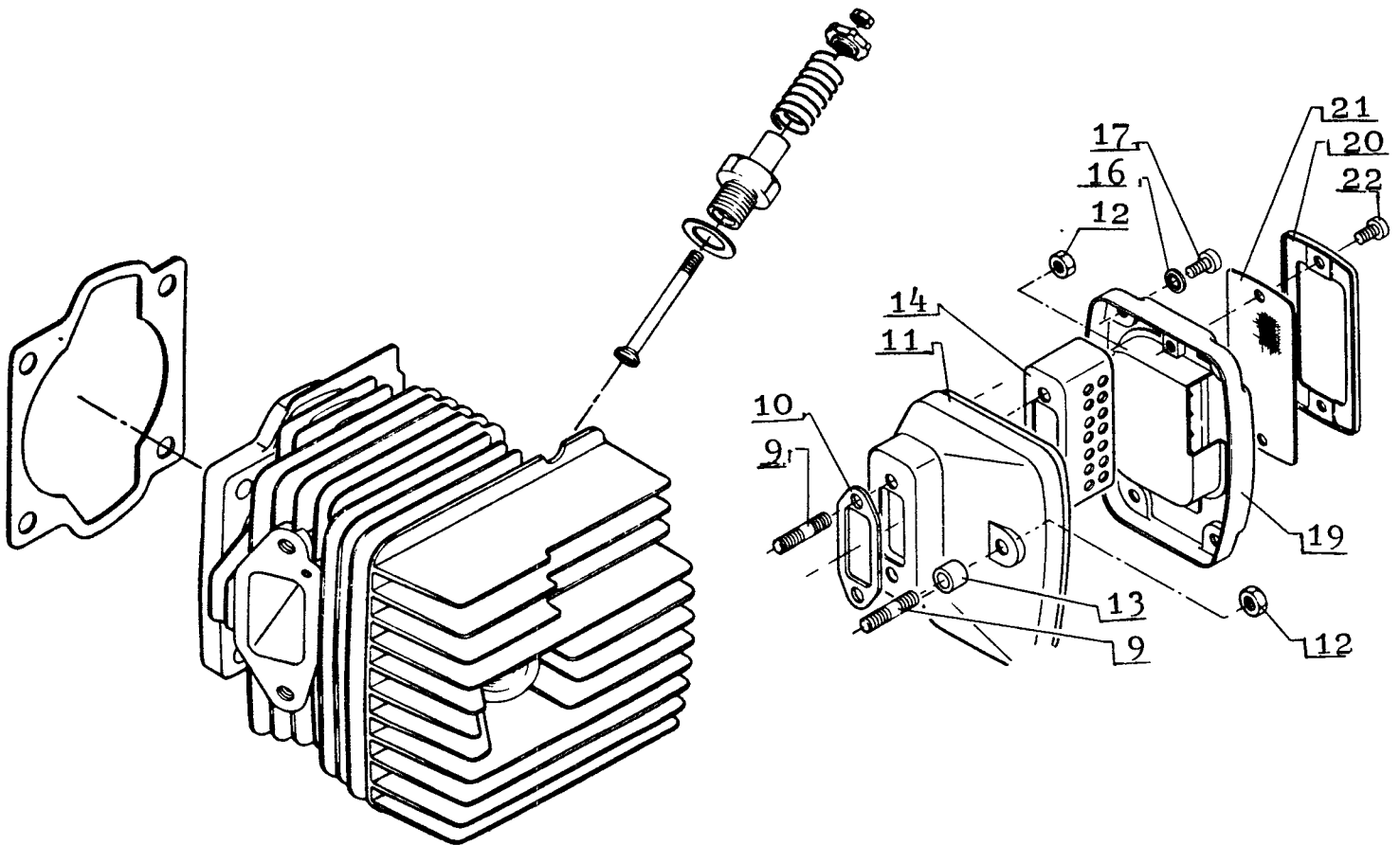
1. CYLINDER & MUFFLER



Key No.	Part No.	Description	Q'ty	Exclusive for
1- 1	101 010-0283 1	Cylinder gasket	1	
2	101 011-0373 3	Cylinder	1	CS-701SVL
2	101 011-0283 5	Cylinder	1	CS-601S, 601SVL
3	101 110-0283 1	Valve	1	
4	101 112-0283 0	Valve gasket	1	
5	101 111-0283 1	Valve seat	1	
6	101 113-0283 0	Valve spring	1	
7	101 114-0283 1	Washer	1	
8	900 500-0000 4	Nut, 4	1	
9	100 214-0283 0	Stud bolt	2	
10	145 510-0373 0	Muffler gasket	1	
11	145 605-0373 1	Muffler body	1	
12	145 710-0023 0	Lock nut, 6	3	
13	145 666-0373 0	Spacer	1	
14	145 612-0373 0	Silencer	1	
15	145 613-0373 0	Muffler lid	1	
16	900 610-0000 5	Lock washer, 5	4	
17	145 643-0373 0	Screw, 5x8	4	
18	145 614-0373 0	Plate	1	

CS-701SVL
 CS-601S
 CS-601SVL

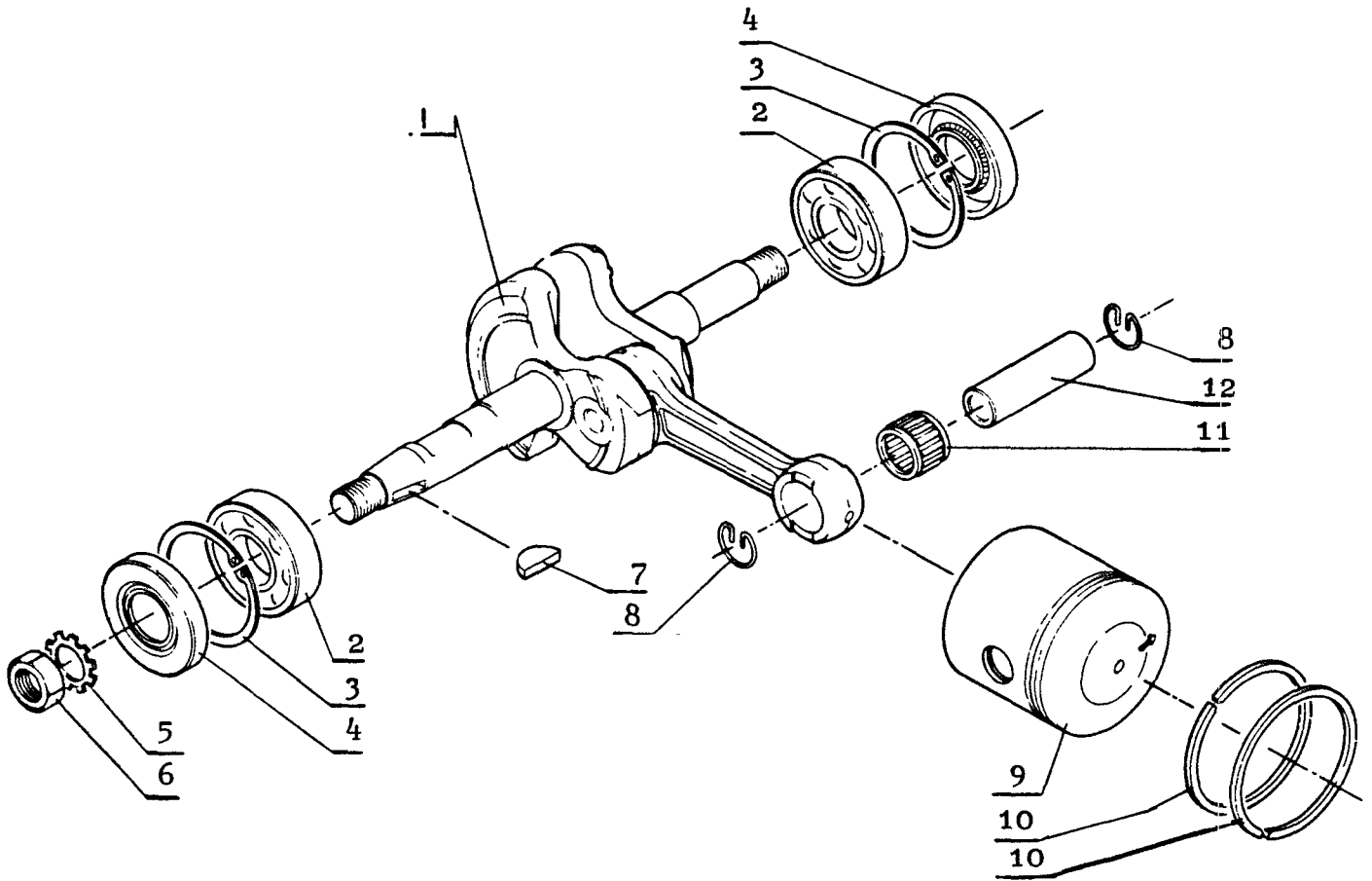
1. CYLINDER & MUFFLER
 SPARK ARRESTER MUFFLER (OPTION),



Key No.	Part No.	Description	Q'ty	Exclusive for
1-				
9 thru 14, 16, 17		See page 1		Common
19	145 808-0373 0	Muffler lid (SAM)	1	Spark arrester muffler
20	145 862-0343 1	Screen holder	1	" " "
21	145 863-0343 1	Screen	1	" " "
22	900 220-0500 8	Screw, 5x8	2	" " "

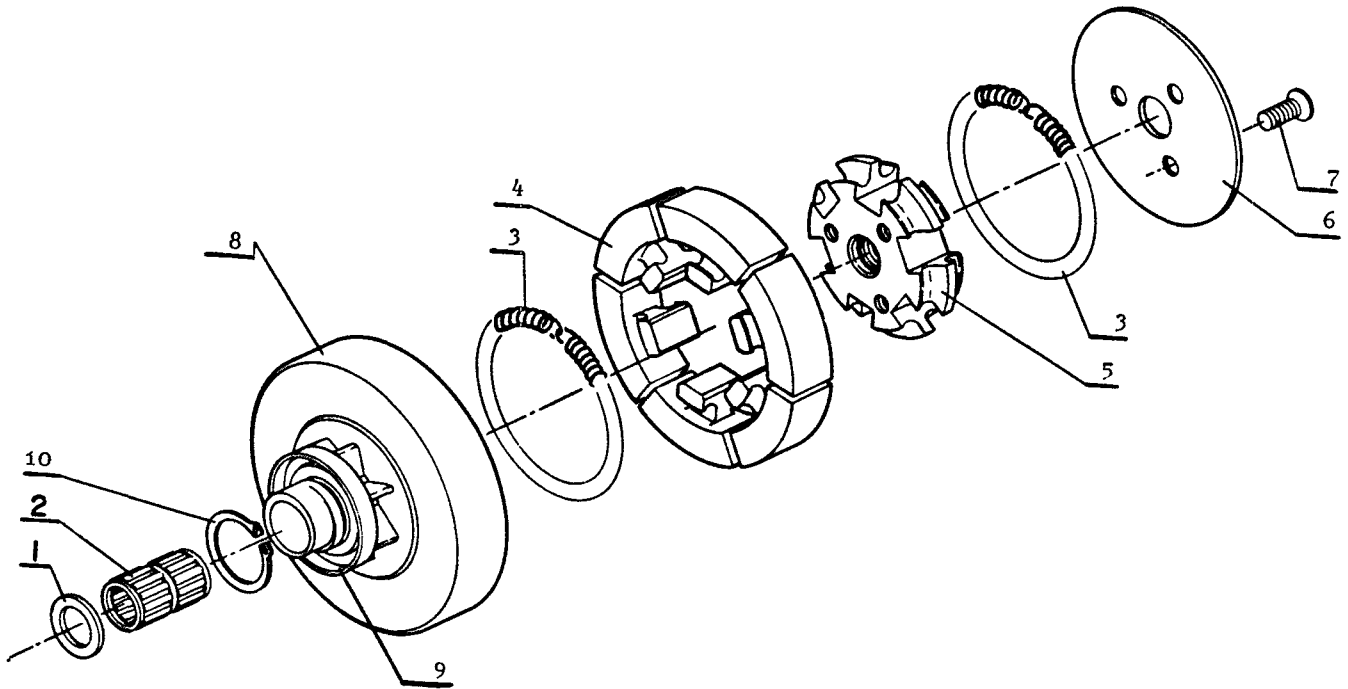
CS-701SVL
 CS-601S
 CS-601SVL

2. CRANKSHAFT & PISTON



Key No.	Part No.	Description	Q'ty	Exclusive for
2- 1	100 100-0283 0	Crankshaft	1	
2	900 810-0620 2	Ball bearing	2	
3	900 702-0003 5	Circlip, 35	2	
4	100 213-0283 0	Oil seal	2	
5	900 611-0001 0	Lock washer, 10	1	
6	100 144-0283 0	Nut	1	
7	900 322-0301 4	Woodruff key, 3x14	1	
8	100 015-0023 0	End ring	2	
9	100 010-0373 0	Piston	1	CS-701SVL
9	100 010-0283 0	Piston	1	CS-601S, 601SVL
10	100 011-0373 0	Piston ring	2	CS-701SVL
10	100 011-0283 0	Piston ring	2	CS-601S, 601SVL
11	100 012-0283 0	Roller bearing	1	
12	100 013-0373 0	Piston pin	1	CS-701SVL
12	100 013-0283 0	Piston pin	1	CS-601S, 601SVL

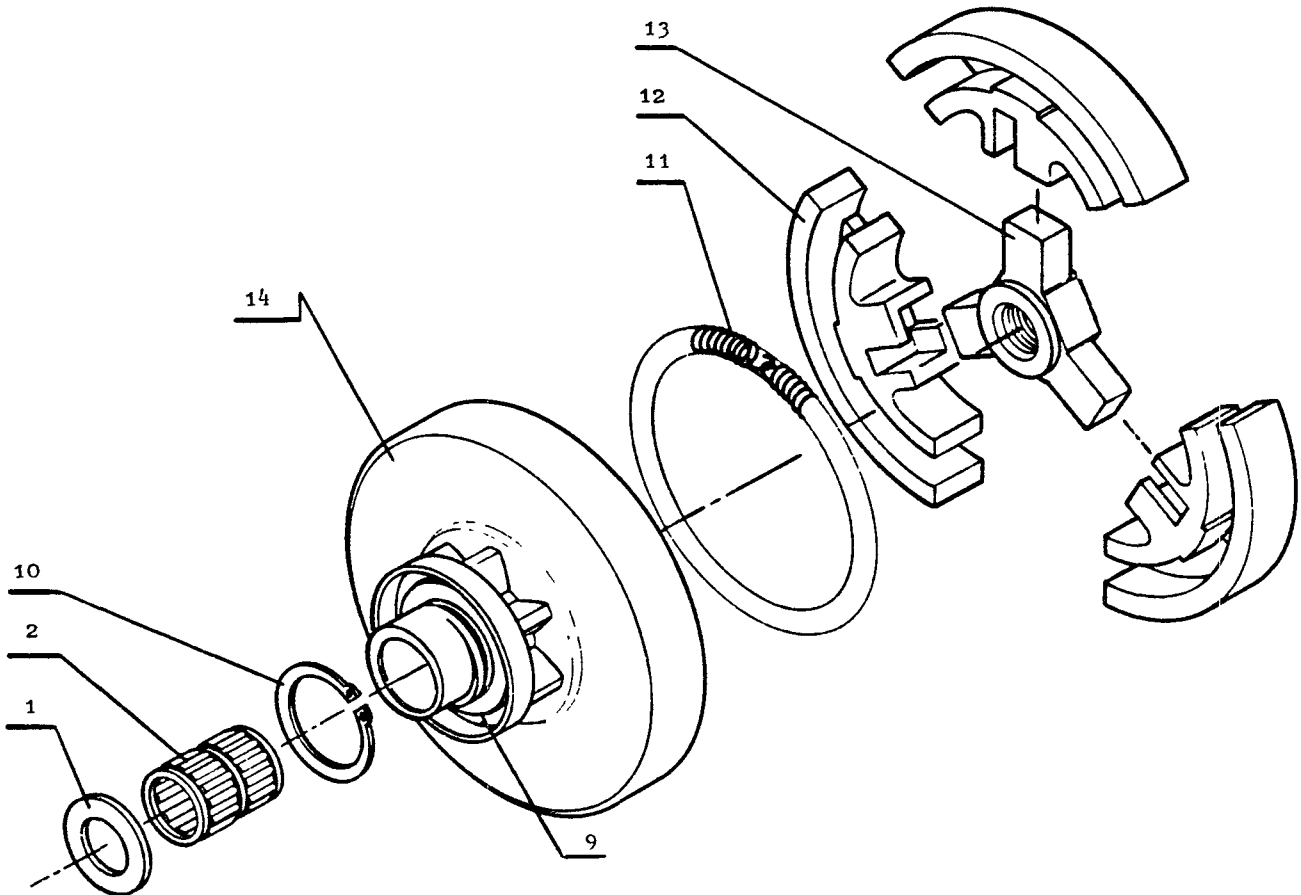
3. CLUTCH



Key No.	Part No.	Description	Q'ty	Exclusive for
3- 1	175 015-0283 0	Clutch washer	1	
2	175 012-0283 0	Roller bearing	1	
3 thru 7	175 000-0373 0	Clutch ass'y	1	CS-701SVL
3	-175 018-1023 0	Clutch spring	2	CS-701SVL
4	-175 017-0043 0	Clutch shoe	6	CS-701SVL
5	-175 016-0373 0	Clutch boss	1	CS-701SVL
6	-175 019-0373 1	Clutch plate	1	CS-701SVL
7	-900 214-0501 6	Screw, 5x16	3	CS-701SVL
8, 9, 10	175 005-0373 1	Clutch case ass'y	1	CS-701SVL
9	-175 039-0283 1	Clutch case spacer	1	
10	-900 701-0002 0	Circlip, 20	1	

CS-601S
CS-601SVL

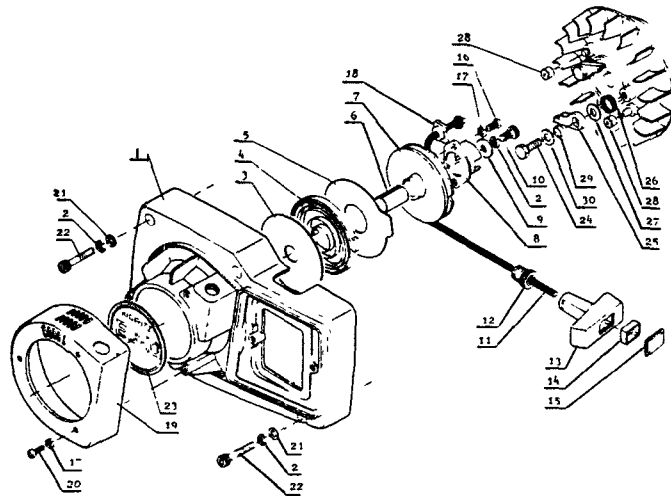
3. CLUTCH



Key No.	Part No.	Description	Q'ty	Exclusive for
3- 1	175 015-0283 0	Clutch washer	1	
2	175 012-0283 0	Roller bearing	1	
9, 10, 14	175 005-0283 1	Clutch case ass'y	1	CS-601S, 601SVL
9	-175 039-0283 1	Clutch case spacer	1	
10	-900 701-0002 0	Circlip, 20	1	
11, 12, 13	175 000-0283 0	Clutch ass'y	1	CS-601S, 601SVL
11	-175 018-0283 1	Clutch spring	1	CS-601S, 601SVL
12	-175 017-0283 0	Clutch shoe	3	CS-601S, 601SVL
13	-175 016-0283 0	Clutch boss	1	CS-601S, 601SVL

CS-701SVL
 CS-601S
 CS-601SVL

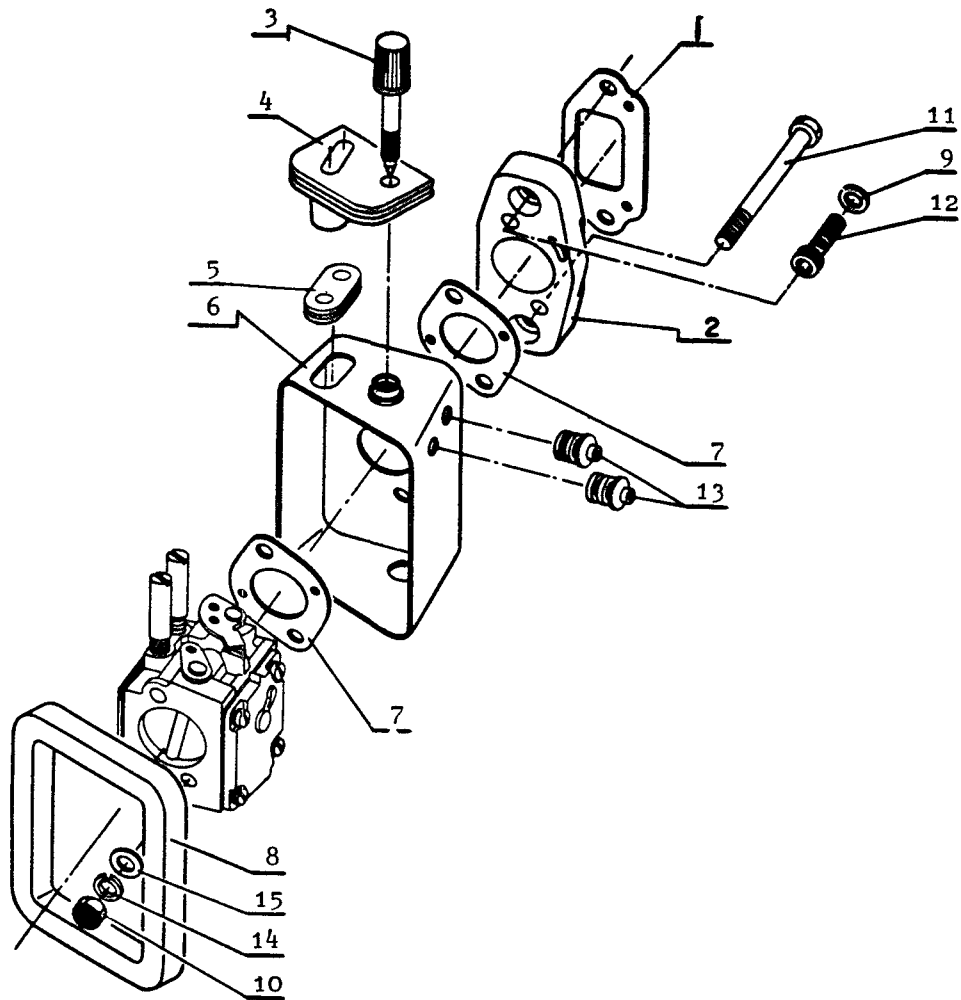
4. STARTER



Key No.	Part No.	Description	Q'ty	Exclusive for
4- *	177 200-0283 4	Starter ass'y	1	* consisting of 1 thru 20
1	-101 507-0283 4	Fan cover	1	
2	-900 605-0000 5	Spring washer, 5	1	
3	-177 221-0283 0	Side plate (A)	1	
4	-177 220-0283 4	Spring rewind	1	
5	-177 242-0283 2	Side plate (B)	1	
6	-177 216-0283 2	Bush	1	
7	-177 215-0283 4	Recoil drum	1	
8	-177 243-0283 3	Pawl catcher	1	
9	-177 214-0283 0	Washer	1	
10	-900 105-0501 5	H.S.H. Bolt, 5x15	1	
11	-177 226-0283 0	Starter rope	1	
12	-177 227-0023 0	Rope guide	1	
13	-177 228-0283 0	Starter handle	1	
14	-177 229-0283 0	End piece	1	
15	-177 244-0283 0	Handle cap	1	
16	-900 220-0401 0	Screw, 4x10	2	
17	-900 605-0000 4	Spring washer, 4	5	
18	-177 246-0283 2	Starter rope clip	1	
19	-100 616-0283 1	Dust filter	1	
20	-900 220-0400 8	Screw, 4x8	3	
2	900 605-0000 5	Spring washer, 5	4	
17	900 605-0000 4	Spring washer, 4	3	
21	100 247-0283 0	Washer	4	
22	900 105-0503 0	H.S.H. Bolt, 5x30	4	
23	890 012-0373 1	Name plate	1	CS-701SVL
23	890 012-0283 2	Name plate	1	CS-601S
23	890 012-0363 1	Name plate	1	CS-601SVL
24	900 100-0601 6	Bolt, 6x16	2	
25	177 218-0283 0	Ratchet	2	
26	177 234-0283 1	Ratchet spring	2	
27	178 020-0031 0	Washer	2	
28	177 245-0283 0	Ratchet cap	2	
29	177 247-0283 0	Spacer	2	
30	900 600-0000 6	Washer, 6	2	

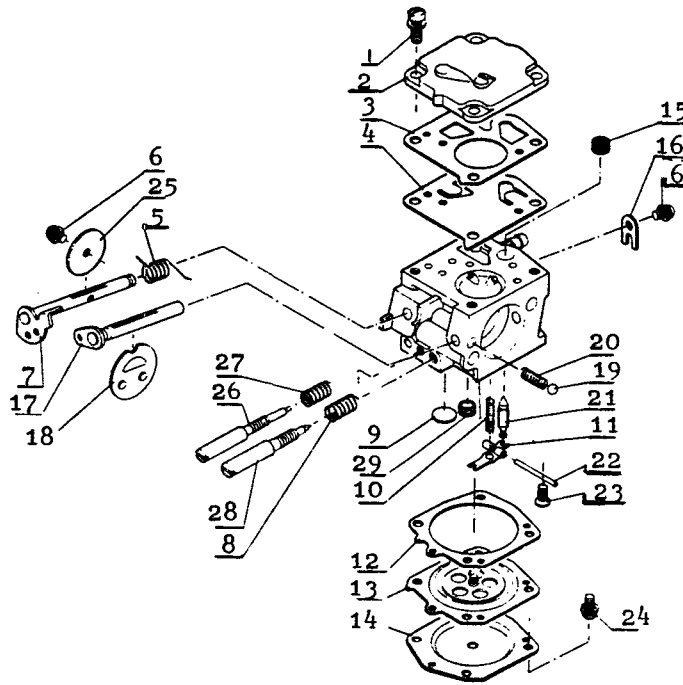
CS-701SVL
 CS-601S
 CS-601SVL

5. CARBURETOR (1)



Key No.	Part No.	Description	Q'ty	Exclusive for
5- 1	130 010-0283 1	Carburetor gasket (A)	1	
2	130 005-0373 0	Insulator	1	CS-701SVL
2	130 005-0283 2	Insulator	1	CS-601S, 601SVL
3	178 007-0343 0	Idle adjusting screw	1	
4	178 212-0283 1	Grommet	1	
5	129 010-0373 0	Grommet	1	CS-701SVL
5	129 010-0283 0	Grommet	1	CS-601S, 601SVL
6	130 306-0373 0	Carburetor cover	1	CS-701SVL
6	130 306-0283 1	Carburetor cover	1	CS-601S, 601SVL
7	130 016-0373 0	Carburetor gasket (B)	2	
8	130 320-0283 1	Carburetor cover gasket	1	
9	100 247-0283 0	Washer	2	
10	433 020-0083 0	Lock nut, 5	2	
11	130 021-0283 0	Carburetor bolt	2	
12	900 105-0502 5	H.S.H. Bolt, 5x25	2	
13	178 811-0283 0	Rubber grommet	2	
14	900 605-0000 5	Spring washer, 5	2	
15	178 516-0083 0	Washer	2	

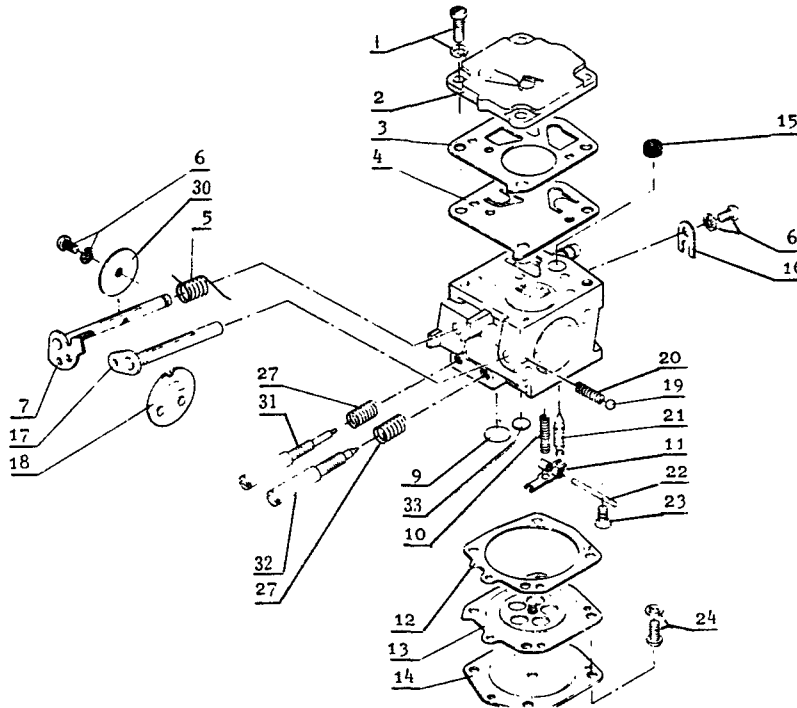
6. CARBURETOR (2)



Key No.	Part No.	Description	Q'ty	Exclusive for
6- *	122 000-0373 0	Carburetor ass'y	1	CS-701SVL
1	-122 110-0023 0	Screw w/lockwasher	4	* consisting of 1 thru 29
2	-122 124-0023 0	Body cover	1	
3	-122 125-0023 0	Pump gasket	1	
4	-122 112-0023 0	Pump diaphragm	1	
5	-122 113-0023 0	Return spring	1	
6	-122 114-0023 0	Screw w/lockwasher	2	
7	-122 117-0283 0	Throttle shaft	1	
8	-122 121-0043 0	Main adjusting spring	1	CS-701SVL
9	-122 145-0023 0	Body plug (L)	1	
10	-122 122-0023 0	Inlet tension spring	1	
11	-122 123-0023 0	Inlet tension lever	1	
12	-122 140-0023 0	Diaphragm gasket	1	
13	-122 141-0023 0	Diaphragm	1	
14	-122 142-0023 0	Diaphragm cover	1	
15	-122 126-0023 0	Fuel filter	1	
16	-122 127-0023 0	Clip, throttle shaft	1	
17	-122 131-0283 0	Choke shaft	1	
18	-122 132-0283 0	Choke butterfly	1	
19	-122 136-0023 0	Choke set ball	1	
20	-122 135-0023 0	Choke set spring	1	
21	-122 137-0023 0	Needle valve	1	
22	-122 138-0023 0	Inlet lever shaft	1	
23	-122 139-0023 0	Lever shaft screw	1	
24	-122 144-0023 0	Screw w/lockwasher	4	
25	-122 116-0043 0	Throttle butterfly	1	CS-701SVL
26	-122 118-0043 0	Idle adjusting screw	1	CS-701SVL
27	-122 119-0023 0	Idle adjusting spring	1	
28	-122 120-0043 0	Main adjusting screw	1	CS-701SVL
29	-122 147-0043 1	Body plug w/check valve	1	CS-701SVL

CS-601S
CS-601SVL

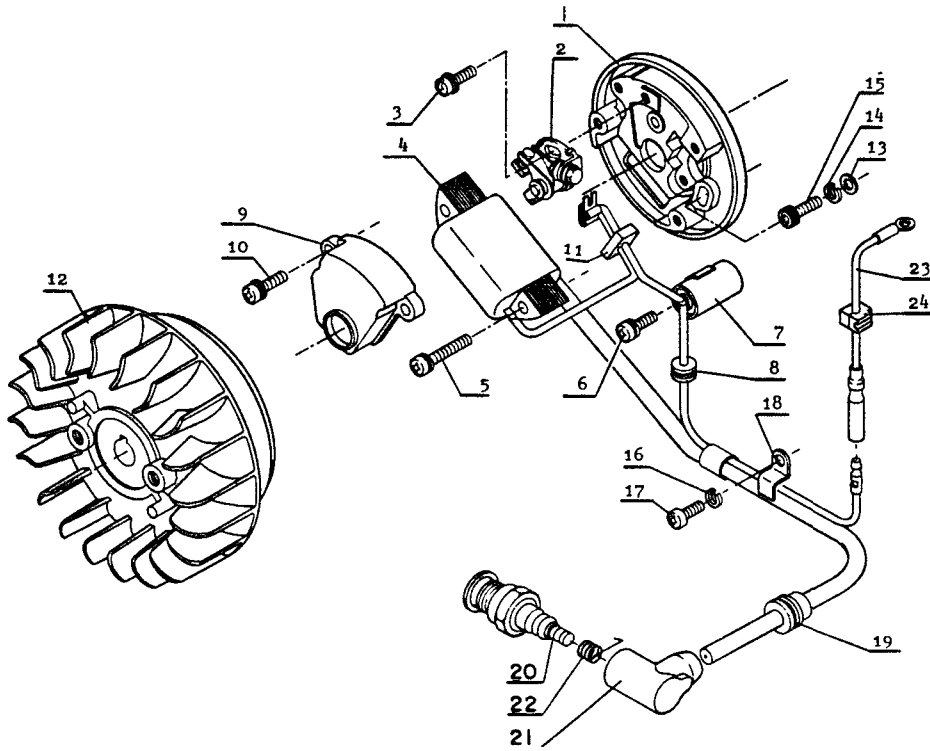
6. CARBURETOR (2)



Key No.	Part No.	Description	Q'ty	Exclusive for
6- *	122 000-0283 0	Carburetor ass'y	1	CS-601S, 601SVL
1	-122 110-0023 0	Screw w/lockwasher	4	* consisting of
2	-122 124-0023 0	Body cover	1	1 thru 33 except 8,
3	-122 125-0023 0	Pump gasket	1	25, 26, 28 and 29
4	-122 112-0023 0	Pump diaphragm	1	
5	-122 113-0023 0	Return spring	1	
6	-122 114-0023 0	Screw w/lockwasher	2	
7	-122 117-0283 0	Throttle shaft	1	
9	-122 145-0023 0	Body plug (L)	1	
10	-122 122-0023 0	Inlet tension spring	1	
11	-122 123-0023 0	Inlet tension lever	1	
12	-122 140-0023 0	Diaphragm gasket	1	
13	-122 141-0023 0	Diaphragm	1	
14	-122 142-0023 0	Diaphragm cover	1	
15	-122 126-0023 0	Fuel filter	1	
16	-122 127-0023 0	Clip, throttle shaft	1	
17	-122 131-0283 0	Choke shaft	1	
18	-122 132-0283 0	Choke butterfly	1	
19	-122 136-0023 0	Choke set ball	1	
20	-122 135-0023 0	Choke set spring	1	
21	-122 137-0023 0	Needle valve	1	
22	-122 138-0023 0	Inlet lever shaft	1	
23	-122 139-0023 0	Lever shaft screw	1	
24	-122 144-0023 0	Screw w/lockwasher	4	
30	-122 116-0023 0	Throttle butterfly	1	CS-601S, 601SVL
31	-122 118-0023 0	Idle adjusting screw	1	CS-601S, 601SVL
27	-122 119-0023 0	Adjusting spring	2	
32	-122 120-0023 0	Main adjusting screw	1	CS-601S, 601SVL
33	-122 146-0023 0	Body plug (S)	1	CS-601S, 601SVL

CS-701SVL
 CS-601S
 CS-601SVL

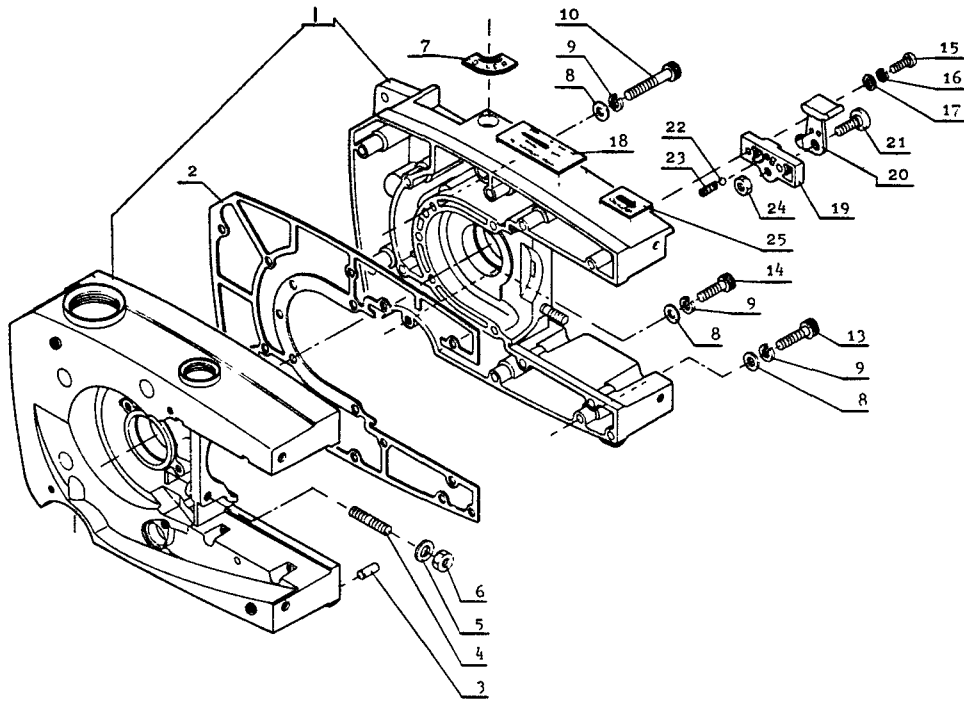
7. MAGNETO



Key No.	Part No.	Description	Q'ty	Exclusive for
7-**	156 000-1023 0	Magneto ass'y	1	** consisting of
*	-156 100-1023 0	Stator ass'y	1	1 thru 12
1	-156 132-0373 1	Stator plate	1	
2	-156 101-1023 0	Contact point set	1	* consisting of
3	-900 242-0400 8	Screw, 4x8 w/W.SW	1	1 thru 11
4	-153 126-0283 0	Ignition coil	1	
5	-900 241-0402 0	Screw, 4x20 w/SW	2	
6	-900 241-0400 8	Screw, 4x8 w/SW	1	
7	-156 127-0373 1	Condenser	1	
8	-156 114-0373 1	Rubber grommet (A)	1	
9	-156 128-0373 0	Breaker cover	1	
10	-900 241-0401 0	Screw, 4x10 w/SW	2	
11	-156 135-0373 0	Grommet	1	
12	-156 200-1023 0	Fly wheel	1	
13	900 600-0000 5	Washer, 5	2	
14	900 605-0000 5	Spring washer, 5	2	
15	900 105-0501 5	H. S. H. Bolt, 5x15	2	
16	900 605-0000 4	Spring washer, 4	1	
17	900 220-0401 0	Screw, 4x10	1	
18	159 110-0283 0	Clip	1	
19	153 110-0283 0	Rubber grommet, H. T. cord	1	
20	159 010-0033 0	Spark plug	1	
21	159 012-0343 3	Spark plug cap	1	
22	159 011-0343 2	Coil, spark plug cap	1	
23	153 131-0373 1	Stop lead	1	
24	153 115-0363 0	Rubber grommet (B)	1	

CS-701SVL
 CS-601S
 CS-601SVL

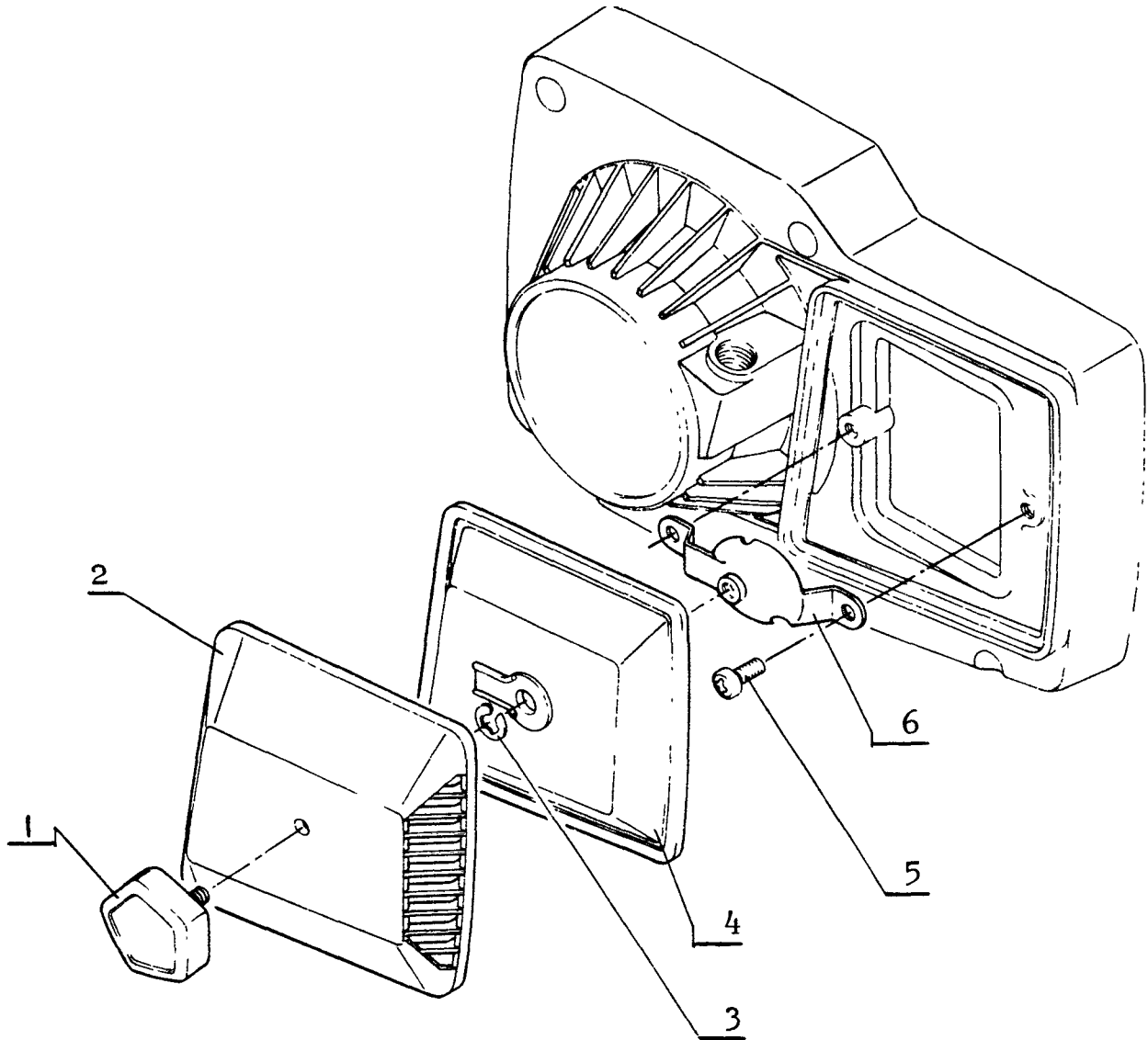
8. CRANKCASE



Key No.	Part No.	Description	Q'ty	Exclusive for
8- 1	100 200-0283 5	Crankcase set	1	
2	100 242-0283 2	Crankcase gasket	1	
3	100 215-0283 0	Knock pin	2	
4	100 214-0283 0	Stud bolt	4	
5	900 600-0000 6	Washer, 6	4	
6	900 500-0000 6	Nut, 6	4	
7	890 022-0283 1	Caution label (oil)	1	
8	100 247-0283 0	Washer	12	
9	900 605-0000 5	Spring washer, 5	16	
10	900 105-0503 5	H.S.H. Bolt, 5x35	4	
13	900 105-0503 0	H.S.H. Bolt, 5x30	11	
14	900 105-0501 8	H.S.H. Bolt, 5x18	1	
15	900 220-0401 0	Screw, 4x10	2	
16	900 605-0000 4	Spring washer, 4	2	
17	900 600-0000 4	Washer, 4	2	
18	890 046-0283 0	Caution label (oil)	1	
19	179 813-0363 0	Decomp. holder	1	
20	179 805-0363 0	Decomp. lever	1	
21	179 816-0363 0	Set screw	1	
22	437 117-0013 0	Ball valve	1	
23	179 817-0363 0	Decomp. lever spring	1	
24	900 500-0000 5	Nut, 5	1	
25	890 149-0373 0	Caution label (decomp.)	1	

CS-701SVL
 CS-601S
 CS-601SVL

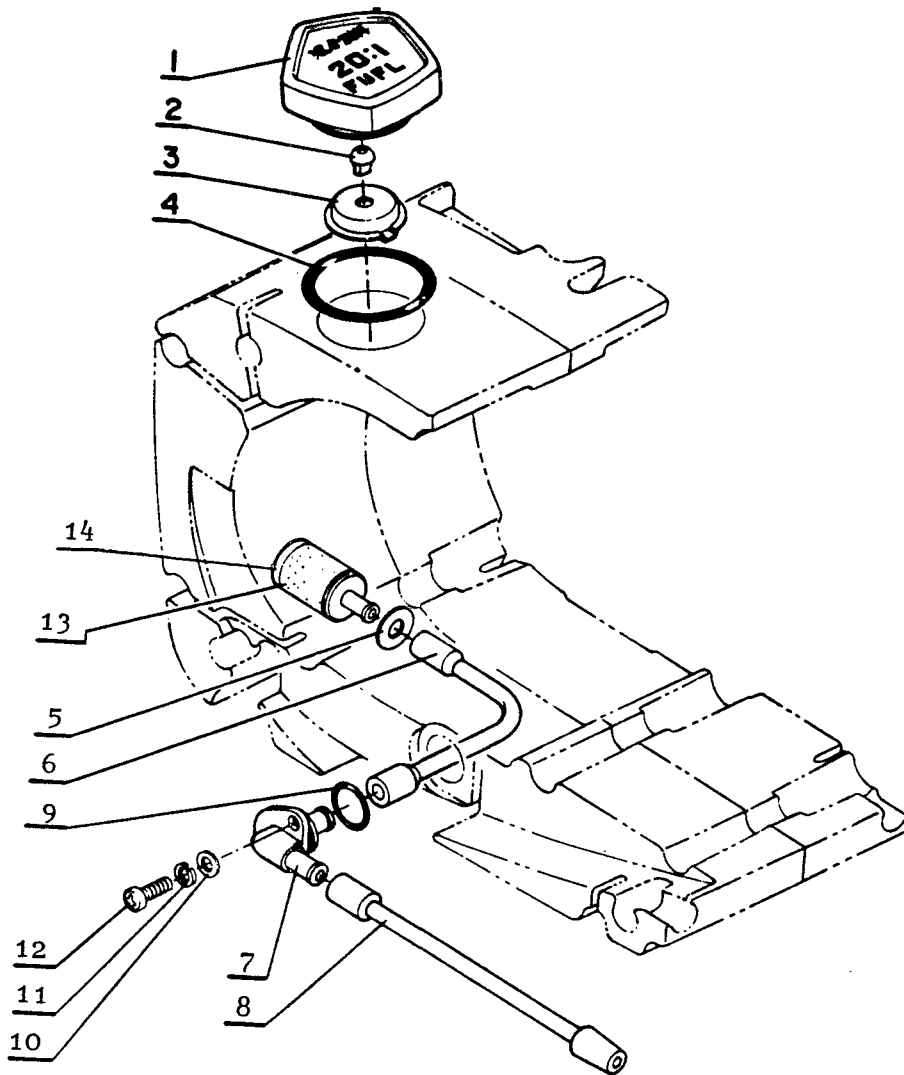
9. AIR CLEANER



Key No.	Part No.	Description	Q'ty	Exclusive for
9- 1	130 406-1023 0	Thumb nut	1	
2	130 313-0283 0	Air cleaner cover	1	
3	900 700-0000 4	E-ring, 4	1	
4	130 305-0283 0	Air cleaner	1	
5	900 220-0501 0	Screw, 5x10	2	
6	130 405-0283 0	Cleaner set plate	1	

CS-701SVL
 CS-601S
 CS-601SVL

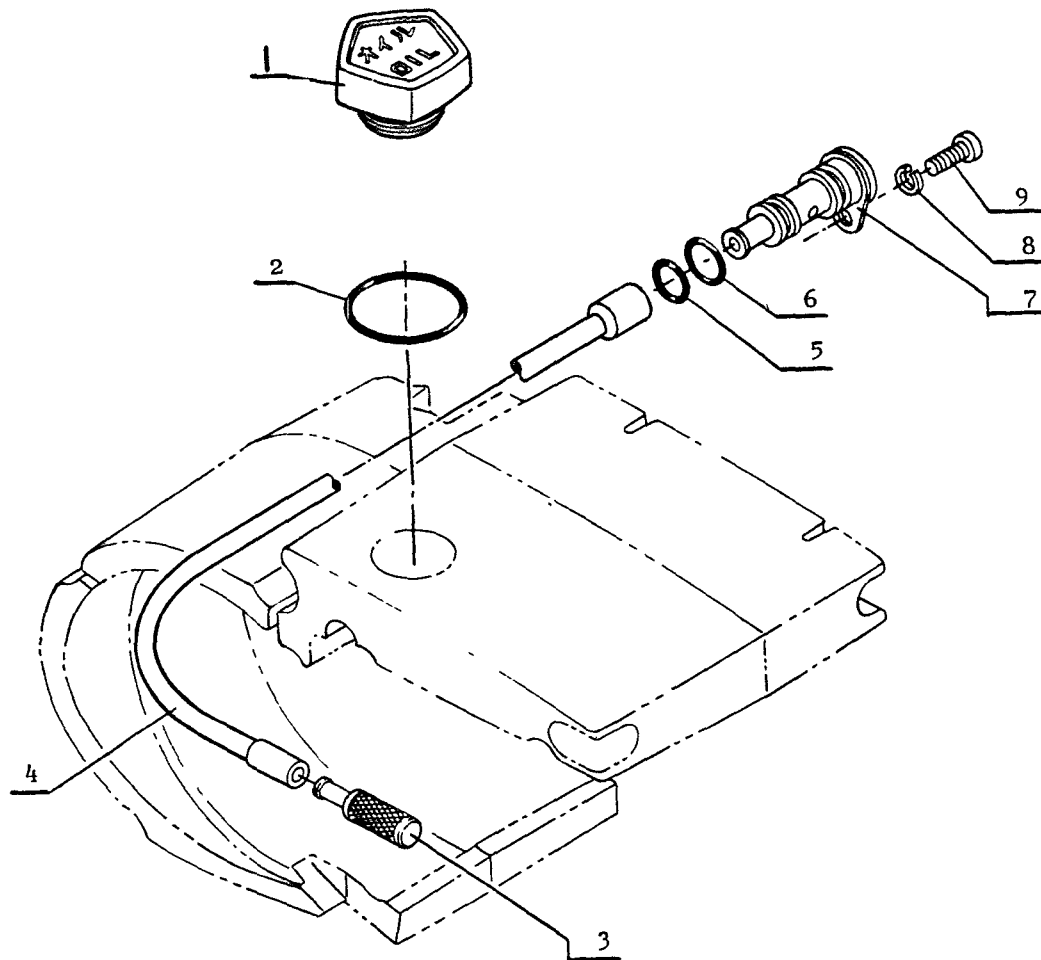
10. FUEL LINE



Key No.	Part No.	Description	Q'ty	Exclusive for
10- *	131 001-1023 1	Fuel tank cap ass'y	1	* consisting of 1, 2, 3,
2	-131 314-0033 0	Check valve	1	
3	-131 015-0083 0	Check valve holder	1	
4	900 720-0002 9	O-ring, 29	1	
5	900 600-0000 6	Washer, 6	1	
6	132 010-0283 3	Fuel pipe (inner)	1	
7	132 011-0283 2	Fuel pipe connector	1	
8	132 012-0283 0	Fuel pipe (outer)	1	
9	900 720-0001 2	O-ring, 12	1	
10	900 600-0000 4	Washer, 4	1	
11	900 605-0000 4	Spring washer, 4	1	
12	900 220-0400 8	Screw, 4x8	1	
13, 14	131 200-0533 0	Fuel strainer ass'y	1	
13	-131 205-0533 0	Fuel stainer	1	
14	-131 214-0283 0	Fuel strainer cover	1	

CS-701SVL
 CS-601S
 CS-601SVL

11. OIL LINE

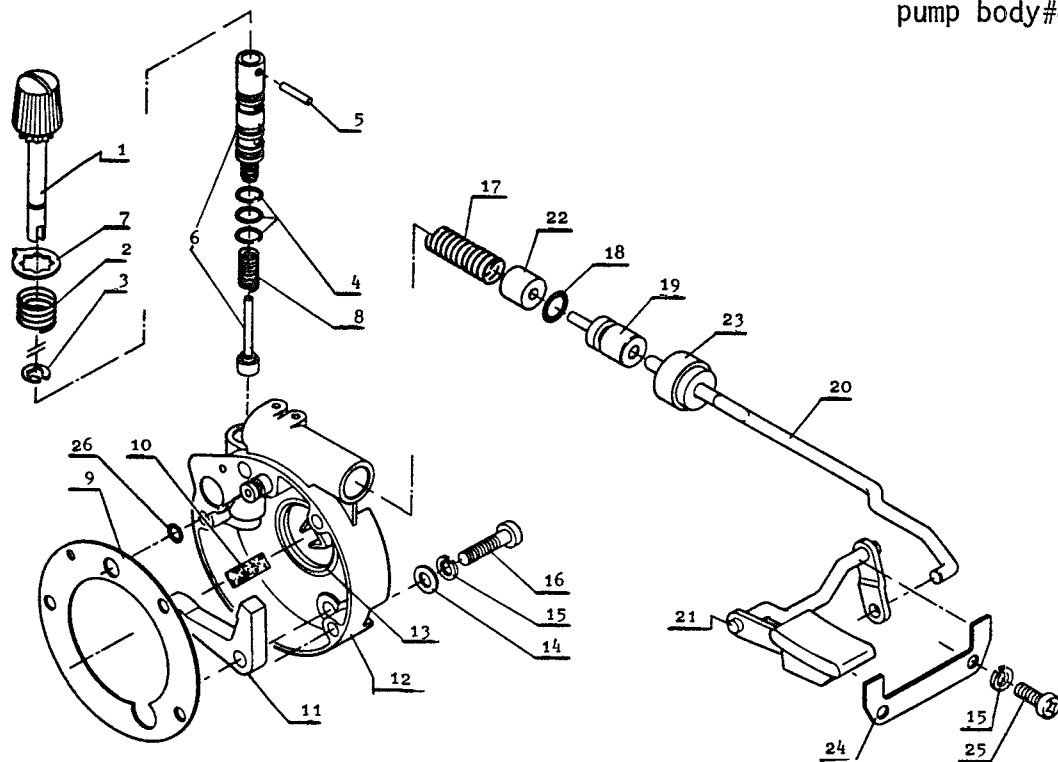


Key No.	Part No.	Description	Q'ty	Exclusive for
11- 1	436 000-0393 0	Oil tank cap	1	
2	900 720-0001 8	O-ring, 18	1	
3	436 205-0283 2	Oil strainer	1	
4	437 210-0343 1	Oil inner pipe	1	
5	900 720-0000 8	O-ring, 8	1	
6	900 720-0000 9	O-ring, 9	1	
7	437 306-0343 0	Oil pipe connector	1	
8	900 605-0000 4	Spring washer, 4	1	
9	900 220-0400 8	Screw, 4x8	1	

CS-701SVL
 CS-601S
 CS-601SVL

12. OILER

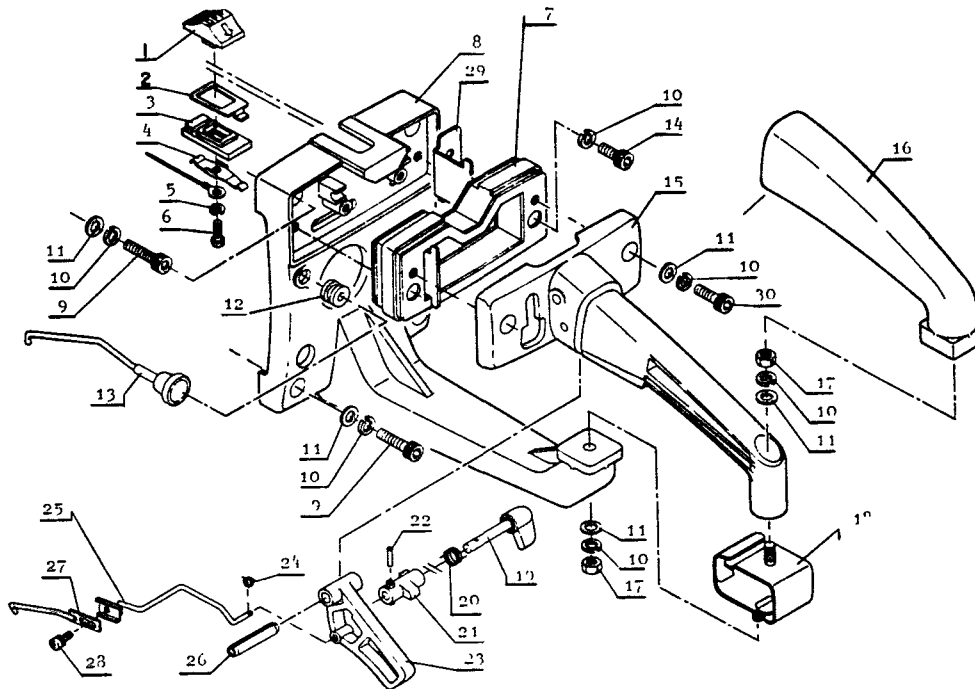
NOTE: Unit with SR#2102501
 or lower use oil
 pump body#4370050283-



Key No.	Part No.	Description	Q'ty	Exclusive for
12- 1	437 009-0283 0	Auto-oiler knob	1	
2	437 015-0283 2	Spring, oil adjusting shaft	1	
3	900 700-0000 4	E-ring, 4	1	
4	437 020-0283 0	O-ring, 5	3	
5	437 040-0283 0	Spring pin	1	
6	437 002-0283 1	Cylinder w/plunger	1	
7	437 047-0283 1	Auto-oiler dial	1	
8	437 019-0283 0	Auto-oiler spring	1	
9	437 038-0283 0	Oil pump body gasket	1	
10	437 050-0283 0	Auto-oiler felt	1	
11	437 037-0283 1	Cam arm	1	
12, 13	437 005-0283 3	Oil pump body	1	
13	-437 042-0283 0	Oil seal	1	
14	900 600-0000 4	Washer, 4	3	
15	900 605-0000 4	Spring washer, 4	5	
16	900 220-0401 8	Screw, 4x18	3	
17	437 111-0023 1	Spring, oil pump	1	
18	900 720-0000 6	O-ring, 6	1	
19	437 112-0283 0	Oil pump piston	1	
20	707 010-0363 0	Oil pump rod	1	
21	707 005-0363 1	Oil pump lever	1	
22	437 120-0283 0	Spring retainer	1	
23	437 053-0283 1	Piston cover	1	
24	707 112-0363 0	Oil pump lever retainer	1	
25	900 220-0401 0	Screw, 4x10	2	
26	437 056-0283 0	O-ring, 4	1	

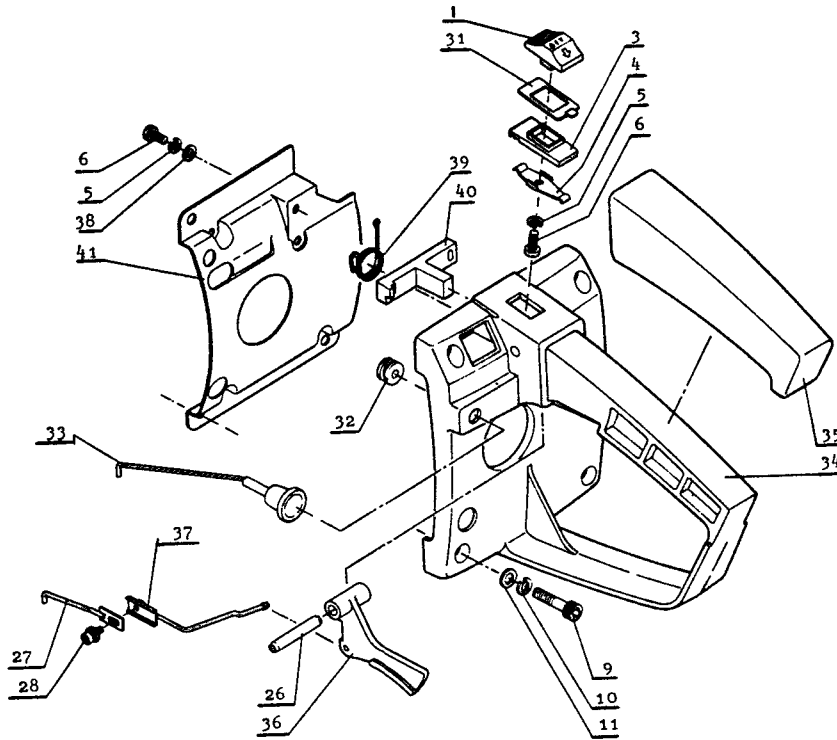
CS-701SVL
CS-601SVL

13. REAR HANDLE



Key No.	Part No.	Description	Q'ty	Exclusive for
13- 1	163 410-0283 0	Stopper switch	1	
2	162 011-0363 1	Earth plate	1	CS-701SVL, 601SVL
3	163 411-0363 0	Guide plate	1	
4	163 412-0063 0	Switch spring	1	
5	900 605-0000 4	Spring washer, 4	1	
6	900 220-0401 0	Screw, 4x10	1	
7	351 105-0363 2	Cushion rubber (R-U)	1	CS-701SVL, 601SVL
8	351 123-0363 2	Rear handle supporter	1	CS-701SVL, 601SVL
9	900 105-0502 0	H.S.H. Bolt, 5x20	4	
10	900 605-0000 5	Spring washer, 5	8	
11	100 247-0283 0	Washer	8	
12	178 810-0283 0	Rubber grommet	1	CS-701SVL, 601SVL
13	178 501-0363 1	Choke rod	1	CS-701SVL, 601SVL
14	900 105-0501 0	H.S.H. Bolt, 5x10	2	CS-701SVL, 601SVL
15	351 110-0363 1	Rear handle	1	CS-701SVL, 601SVL
16	351 111-0363 1	Rear handle rubber	1	CS-701SVL, 601SVL
17	433 022-0283 0	Lock nut, 5	2	CS-701SVL, 601SVL
18	351 107-0363 1	Cushion rubber (R-L)	1	CS-701SVL, 601SVL
19	178 008-0363 0	Lock lever	1	CS-701SVL, 601SVL
20	178 013-0343 0	Lock lever spring	1	CS-701SVL, 601SVL
21	178 012-0363 0	Throttle lock	1	CS-701SVL, 601SVL
22	900 340-1601 0	Spring pin, 1.6x10	1	CS-701SVL, 601SVL
23	178 010-0363 2	Throttle trigger	1	CS-701SVL, 601SVL
24	178 514-0023 0	Pin	1	CS-701SVL, 601SVL
25	178 006-0363 2	Throttle rod (A)	1	CS-701SVL, 601SVL
26	178 110-0283 0	Trigger shaft	1	
27	178 032-0283 0	Throttle rod (B)	1	
28	178 018-0283 1	Screw, 3x6 w/W	1	
29	351 126-0363 0	Cushion supporter	1	CS-701SVL, 601SVL
30	900 105-0501 5	H.S.H. Bolt, 5x15	2	CS-701SVL, 601SVL

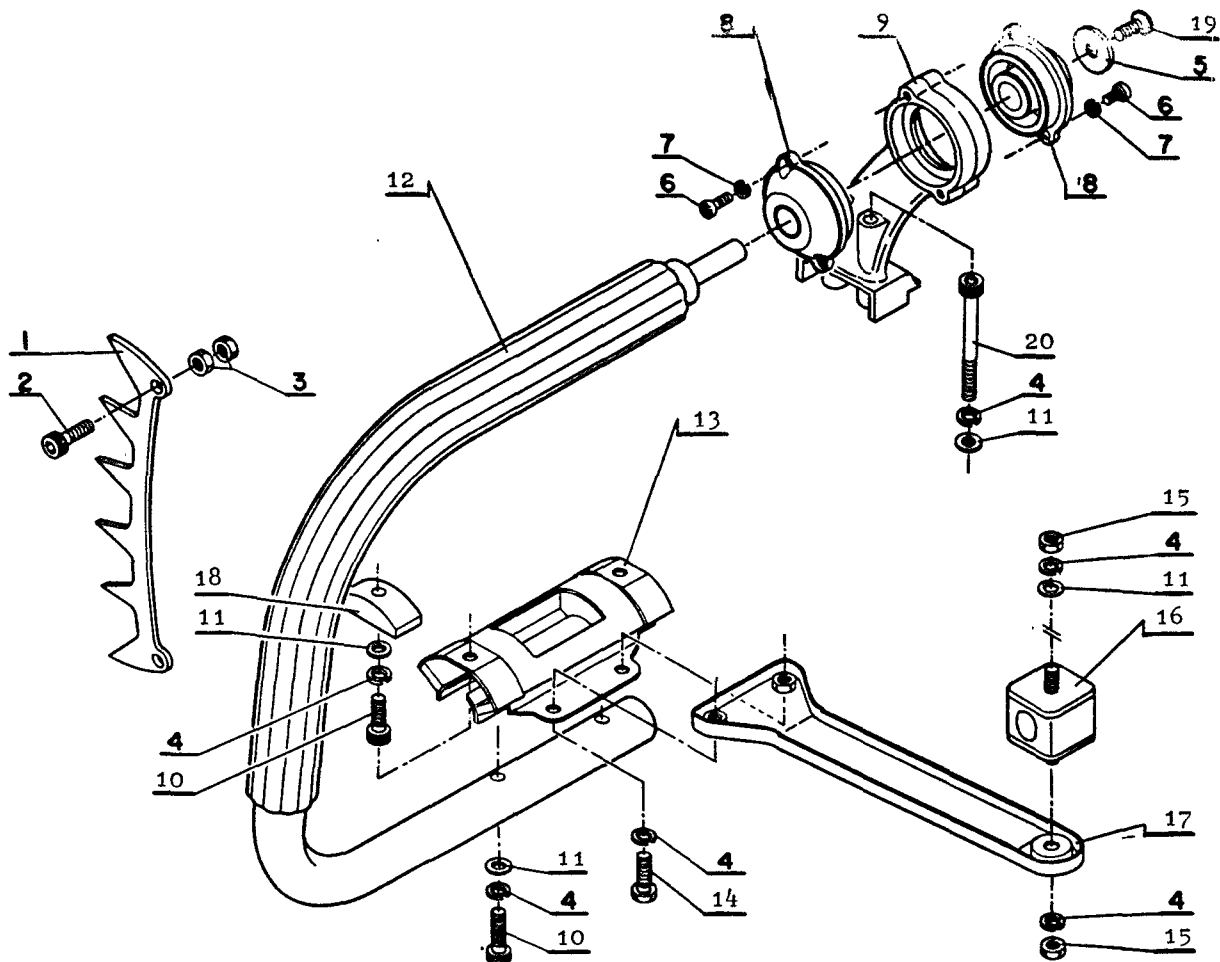
13. REAR HANDLE



Key No.	Part No.	Description	Q'ty	Exclusive for
13- 1	163 410-0283 0	Stopper switch	1	
3	163 411-0283 0	Guide plate	1	
4	163 412-0063 0	Switch spring	1	
5	900 605-0000 4	Spring washer, 4	6	
6	900 220-0401 0	Screw, 4x10	6	
9	900 105-0502 0	H.S.H. Bolt, 5x20	4	
10	900 605-0000 5	Spring washer, 5	4	
11	100 247-0283 0	Washer	4	
26	178 110-0283 0	Trigger shaft	1	
27	178 032-0283 0	Throttle rod (B)	1	
28	178 018-0283 1	Screw, 3x6 w/W	1	
31	163 413-0283 0	Earth plate	1	CS-601S
32	178 810-0023 0	Rubber grommet	1	CS-601S
33	178 501-0283 0	Choke rod	1	CS-601S
34	351 010-0283 0	Rear handle	1	CS-601S
35	351 012-0283 0	Rear handle rubber	1	CS-601S
36	178 010-0283 0	Throttle trigger	1	CS-601S
37	178 006-0283 0	Throttle rod (A)	1	CS-601S
38	900 600-0000 4	Washer, 4	5	CS-601S
39	179 812-0283 0	Decomp. lever spring	1	CS-601S
40	179 810-0283 0	Decomp. lever	1	CS-601S
41	101 514-0283 0	Cylinder cover	1	CS-601S

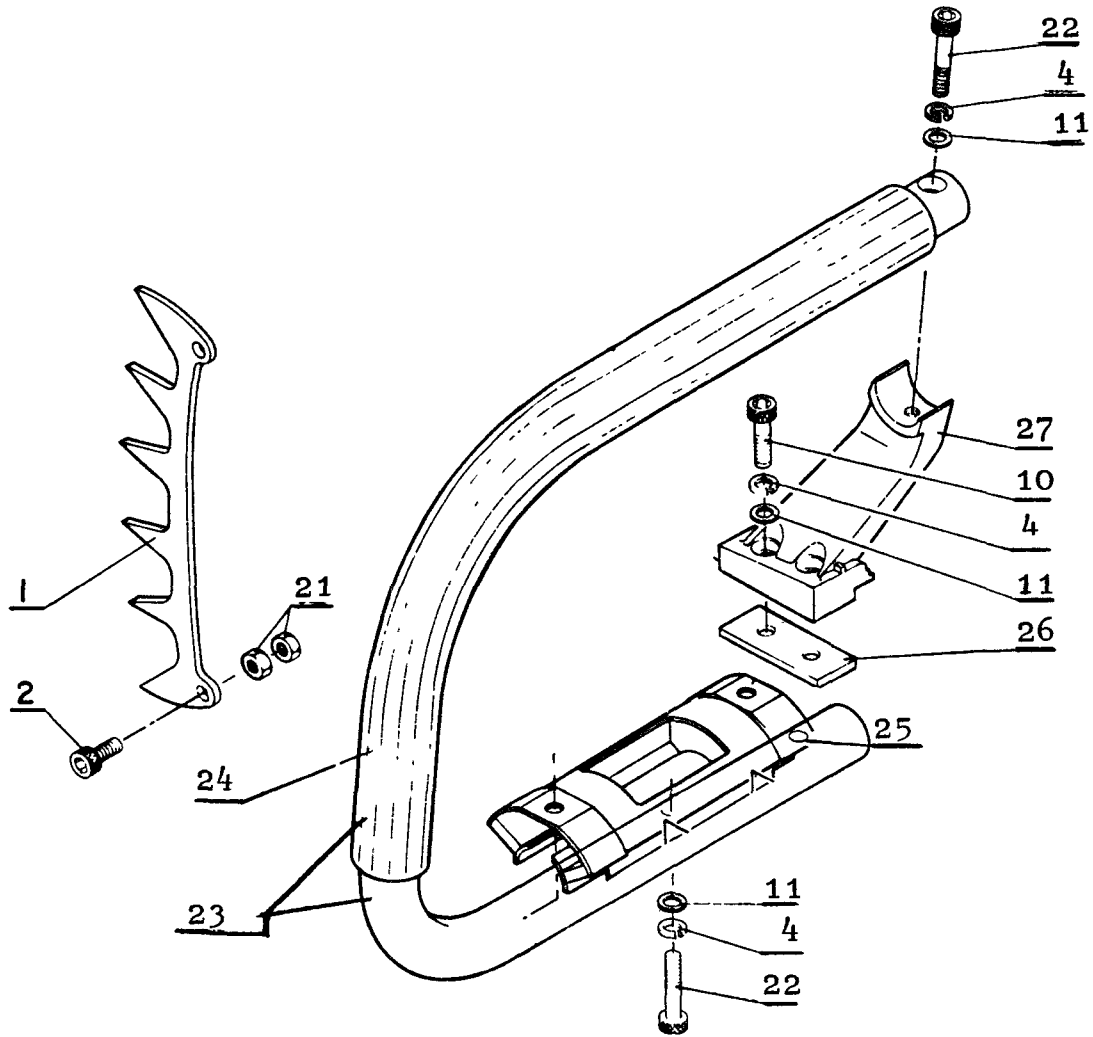
CS-701SVL
CS-601SVL

14. FRONT HANDLE



Key No.	Part No.	Description	Q'ty	Exclusive for
14- 1	880 210-0283 0	Spike bumper	1	
2	900 105-0501 5	H.S.H. Bolt, 5x15	2	
3	900 500-0000 5	Nut, 5	2	CS-701SVL, 601SVL
4	900 605-0000 5	Spring washer, 5	2	
5	351 633-0343 0	Washer	1	CS-701SVL, 601SVL
6	900 220-0300 8	Screw, 3x8	4	CS-701SVL, 601SVL
7	900 605-0000 3	Spring washer, 3	4	CS-701SVL, 601SVL
8	351 605-0363 0	Cushion rubber (L-U)	2	CS-701SVL, 601SVL
9	351 614-0363 1	Front handle supporter	1	CS-701SVL, 601SVL
10	900 105-0502 0	H.S.H. Bolt, 5x20	4	
11	100 247-0283 0	Washer	7	
12	351 606-0363 1	Front handle	1	CS-701SVL, 601SVL
13	351 609-0363 1	Cushion rubber (L-L)	1	CS-701SVL, 601SVL
14	900 100-0500 8	Bolt, 5x8	2	CS-701SVL, 601SVL
15	433 022-0283 0	Lock nut, 5	2	CS-701SVL, 601SVL
16	351 607-0363 0	Cushion rubber (L-L2)	1	CS-701SVL, 601SVL
17	351 613-0363 0	Cushion supporter	1	CS-701SVL, 601SVL
18	351 630-0363 0	Adapter, cushion rubber (L-L)	2	CS-701SVL, 601SVL
19	900 212-0501 2	Screw, 5x12	4	CS-701SVL, 601SVL
20	900 105-0505 5	H.S.H. Bolt, 5x55	2	CS-701SVL, 601SVL

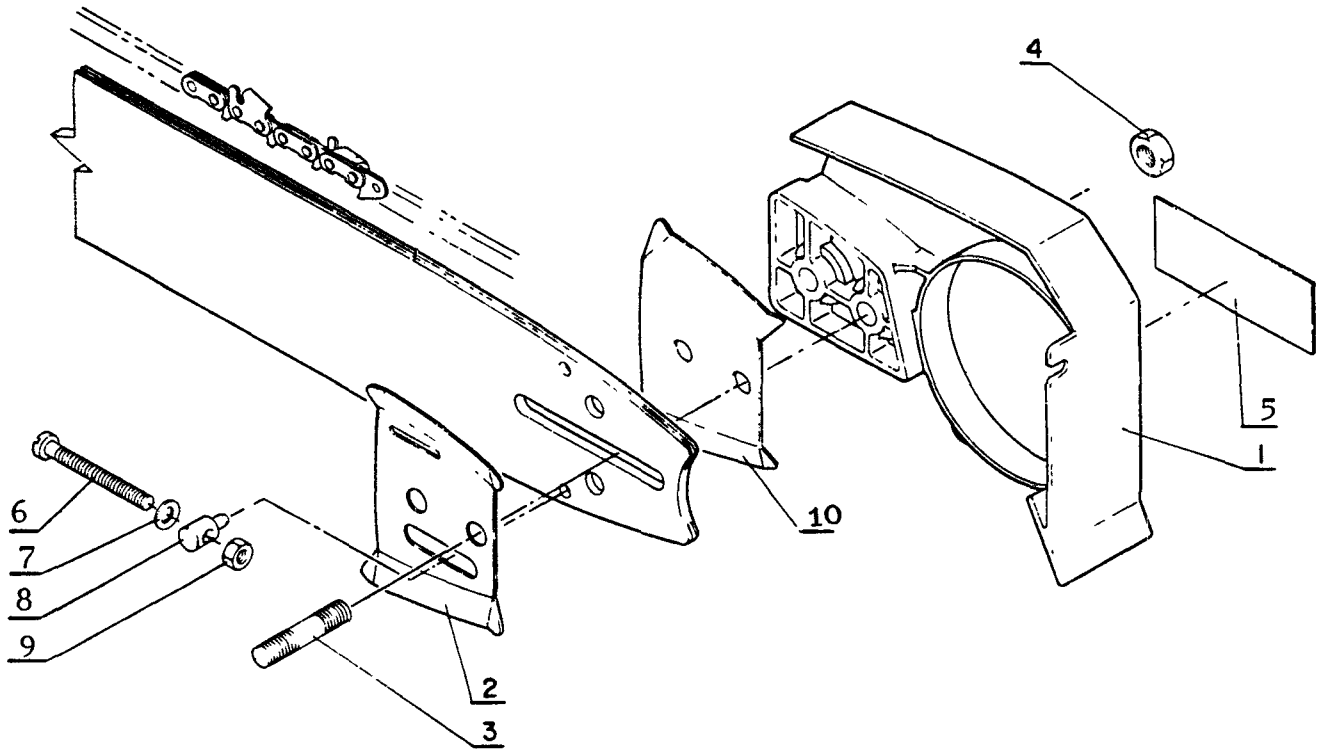
14. FRONT HANDLE



Key No.	Part No.	Description	Q'ty	Exclusive for
14- 1	880 210-0283 0	Spike bumper	1	
2	900 105-0501 5	H. S. H. Bolt, 5x15	2	
4	900 605-0000 5	Spring washer, 5	5	
10	900 105-0502 0	H. S. H. Bolt, 5x20	2	
11	100 247-0283 0	Washer	5	
21	433 020-0083 0	Lock nut, 5	2	CS-601S
22	900 105-0502 5	H. S. H. Bolt, 5x25	3	CS-601S
23	351 205-0283 1	Front handle	1	CS-601S
24	-351 213-0023 0	Front handle rubber	1	CS-601S
25	351 234-0283 0	Crankcase adapter	1	CS-601S
26	351 228-0283 0	Rubber cushion, front handle	1	CS-601S
27	351 225-0283 1	Front handle supporter	1	CS-601S

CS-701SVL
 CS-601S
 CS-601SVL

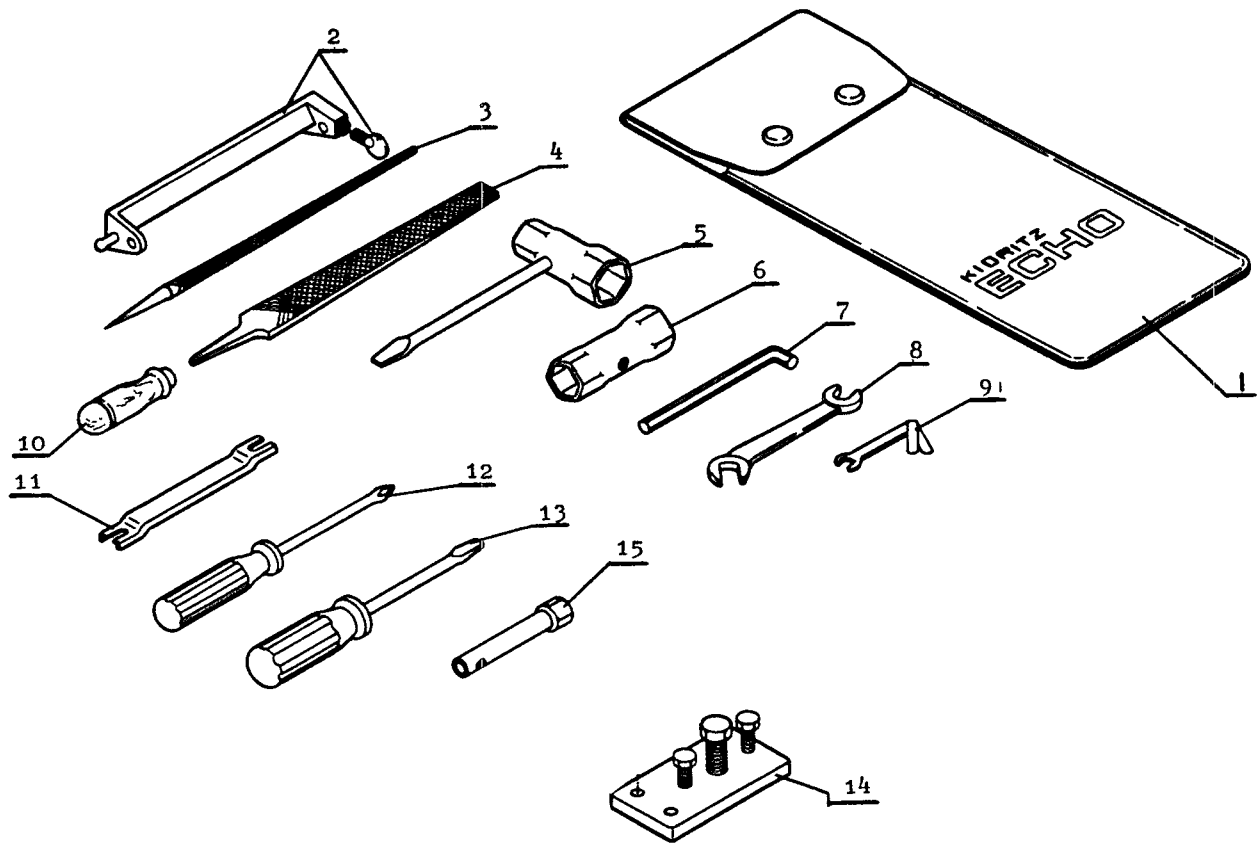
15. GUIDE BAR



Key No.	Part No.	Description	Q'ty	Exclusive for
15- 1	433 010-0373 0	Guide bar cover	1	CS-701SVL
1	433 010-0283 0	Guide bar cover	1	CS-601S, 601SVL
2	433 013-1233 0	Side plate (inner)	1	
3	433 011-0033 0	Guide bar stud bolt	2	
4	433 019-1233 0	Flange nut, 8	2	
5	890 021-0283 1	ECHO name plate	1	
6	433 016-0283 0	Adjusting screw	1	
7	100 247-0283 0	Washer	1	
8	433 014-0283 0	Tensioner	1	
9	433 022-0283 0	Lock nut, 5	1	
10	433 012-1233 0	Side plate (outer)	1	

CS-701SVL
 CS-601S
 CS-601SVL

16. TOOL (OPTION)



Key No.	Part No.	Description	Q'ty	Exclusive for
16- *	896 000-0373 0	Tool set	1	* consisting of 1 thru 15
1	-898 510-0283 0	Tool bag	1	
2	-897 600-0033 0	File holder	1	
3	-897 510-0023 0	Round file	1	
4	-897 511-0023 0	Flat file	1	
5	-895 410-0283 0	Box wrench w/screw driver	1	
6	-985 418-0283 0	Box spanner, 14x17	1	
7	-895 610-0013 0	L-wrench, 4	1	
8	-985 112-0283 0	Spanner, 8x10	1	
9	-895 115-0033 0	Magneto spanner	1	
10	-897 512-0023 0	File grip	1	
11	-897 514-0023 1	Depth gauge	1	
12	-895 710-0043 0	Screw driver, phillipshead	1	
13	-985 811-0013 0	Screw driver	1	
14	-897 501-0283 0	Magneto puller	1	
15	-895 314-0343 0	Box spanner, 8	1	