

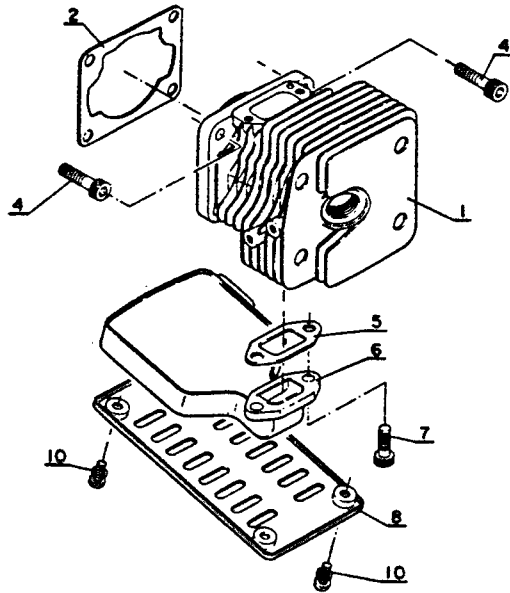


**PARTS CATALOGUE**

**ECHO  
CHAIN SAW  
CS-302**

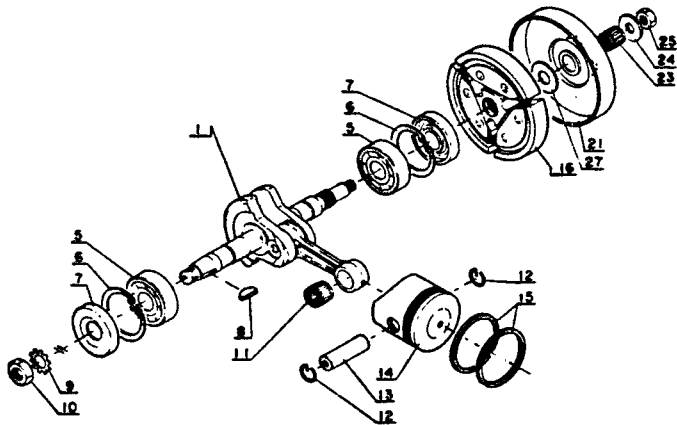
**OCCASIONAL USER SAW**

1.



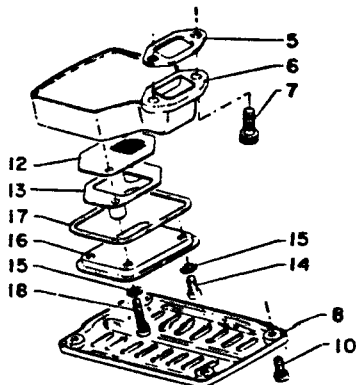
Key No.	Part No.	Q'ty	Description
1- 1	101 011-0393 0	1	Cylinder
2	101 010-0393 0	1	Gasket
4	900 162-0502 0	4	H.S.H. Bolt 5x20
5	145 510-0393 0	1	Muffer gasket
6	145 610-0393 1	1	Muffer
7	900 105-0501 5	2	H.S.H. Bolt 5x15
8	145 621-0393 0	1	Muffer cover
10	900 241-0401 0	4	Screw 4x10

2.



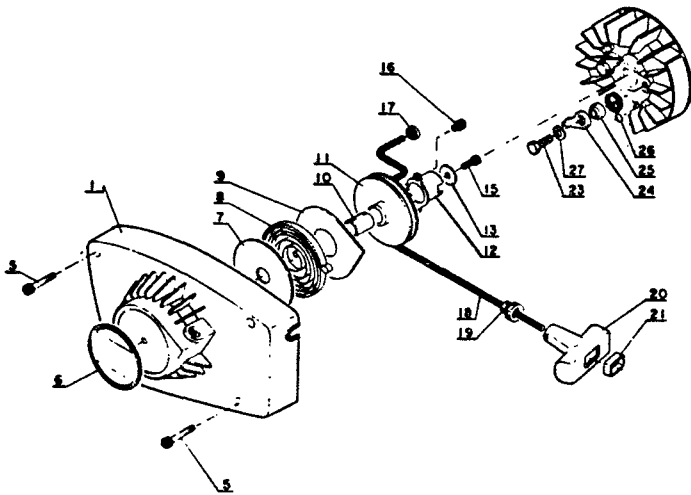
Key No.	Part No.	Q'ty	Description
2- 1	100 100-0393 0	1	Crankshaft ass'y
5	900 810-3620 1	2	Ball bearing 6201
6	900 702-0003 2	2	Circlip 32
7	100 213-0393 0	2	Oilseal
8	100 131-0162 0	1	Key
9	900 611-0000 8	1	Lockwasher 8
10	900 500-0000 8	1	Nut 8
11	100 012-0072 0	1	Roller bearing
12	100 015-0393 0	2	Circlip
13	100 013-0393 0	1	Piston pin
14	100 010-0393 0	1	Piston
15	100 011-0031 0	2	Piston ring
16	175 000-0393 0	1	Clutch ass'y
	-175 018-0393 0	1	Clutch spring
	-175 017-0393 0	3	Clutch shoe
	-175 016-0393 0	1	Clutch boss
	-175 019-0393 0	3	Clutch plate
	-900 314-3001 1	6	Rivet
21	175 007-0393 0	1	Clutch case 1/4
21	175 005-1153 0	1	Clutch case 3/8 91s
23	175 012-0393 0	1	Roller bearing
24	175 014-0393 0	1	Clutch washer 1/4
24	175 014-1153 0	1	Washer 3/8 91s
25	100 139-0393 0	1	Lock nut (6φ L-h)
27	175 015-0393 0	1	Clutch washer (ln.)

1-1 Spark arrester muffler (Option)



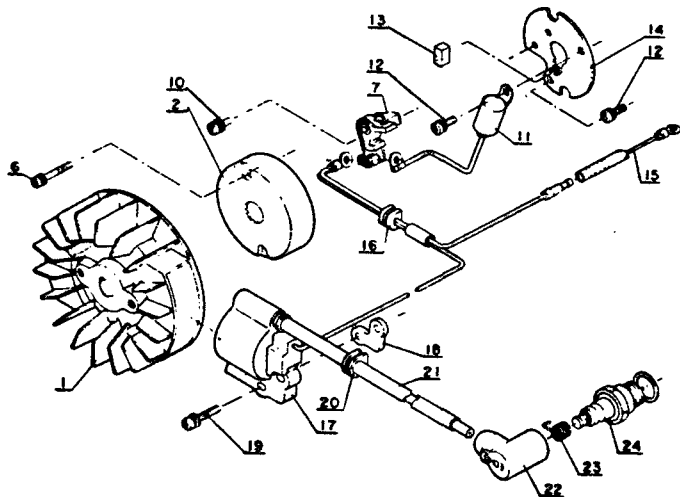
Key No.	Part No.	Q'ty	Description
1- 6	145 806-0393 2	1	Muffler
12	145 862-0393 0	1	Screen
13	145 809-0393 0	1	Screen retainer
14	900 220-0400 6	2	Screw 4x6
15	900 610-0000 4	4	Lock washer
16	145 861-0393 1	1	Muffler lid
17	145 866-0393 0	1	Packing
18	900 220-0401 4	2	Screw

3.

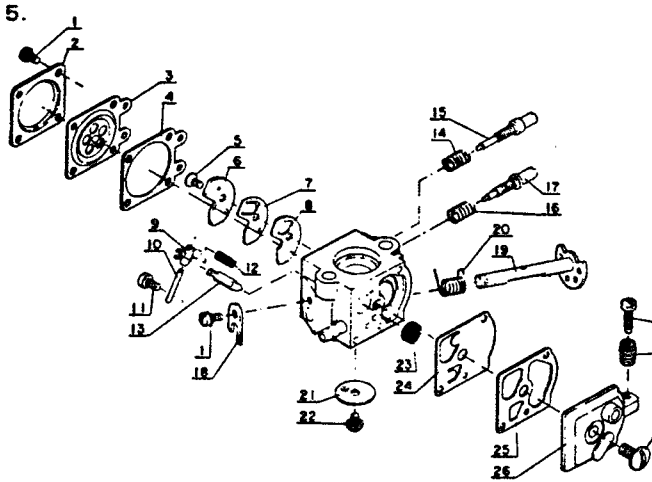


Key No.	Part No.	Q'ty	Description
3-	177 200-0393 0	1	Starter ass'y
1	-101 507-0393 0	1	Fan cover
7	-177 221-0393 0	1	Side plate (A)
8	-177 220-0393 0	1	Spring rewind
9	-177 242-0393 0	1	Side plate (B)
10	-177 216-0393 0	1	Bushing
11	-177 215-0393 0	1	Recoil drum
12	-177 243-0393 0	1	Pawl catcher
13	-177 214-0393 0	1	Washer
15	-900 242-0401 2	1	Screw 4x12
16	-900 241-0400 8	2	Screw 4x8
17	-177 246-0393 0	1	Rope clip
18	-177 226-0393 0	1	Starter rope
19	-177 227-0023 0	1	Rope guide
20	-177 228-1233 0	1	Recoil handle
21	-177 229-1433 0	1	Washer
5	900 162-0403 0	4	H.S.H. Bolt 4x30
6	890 012-1113 2	1	Decal
23	900 100-0501 6	2	Bolt 5x16
24	177 218-0393 0	2	Ratchet
25	177 247-0393 2	2	Spacer
26	177 234-0393 1	2	Ratchet spring
27	900 600-0000 5	2	Washer 5

4.

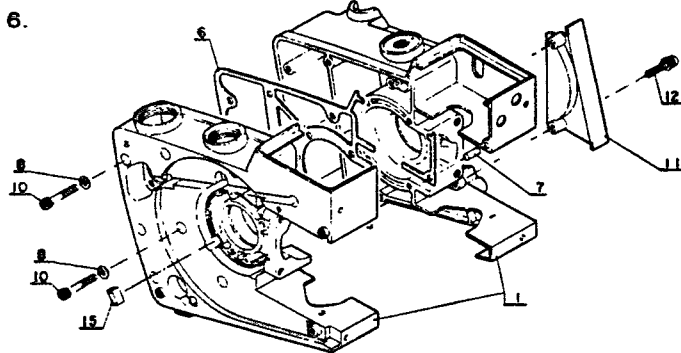


Key No.	Part No.	Q'ty	Description
4-	150 000-0393 1	1	Magneto ass'y
1	-150 200-0393 1	1	Flywheel
2	-156 112-0393 0	1	Breaker cover
6	-900 242-0302 2	2	Screw 3x22
17	-150 126-0393 0	1	Ignition coil
21	-150 111-0393 0	1	Tube, ignition cord
7	-150 101-0393 0	1	Contact point set
10	-900 242-0400 8	1	Screw 4x8
11	-150 127-0393 0	1	Condenser
12	-900 241-0401 2	2	Screw 4x12
13	-150 134-0393 0	1	Oiler
14	-150 132-0393 0	1	Stator plate
15	150 131-0393 0	1	Stop lead cord
18	150 117-0393 0	1	Spacer
19	159 314-1233 0	2	Screw
20	150 110-0393 0	1	Rubber bush
22	159 012-0343 3	1	Spark plug cap
23	159 011-0343 2	1	Spark plug connector
24	159 010-0033 0	1	Spark plug BM6A
24	159 017-1013 0	1	Spark plug RCJ8Y

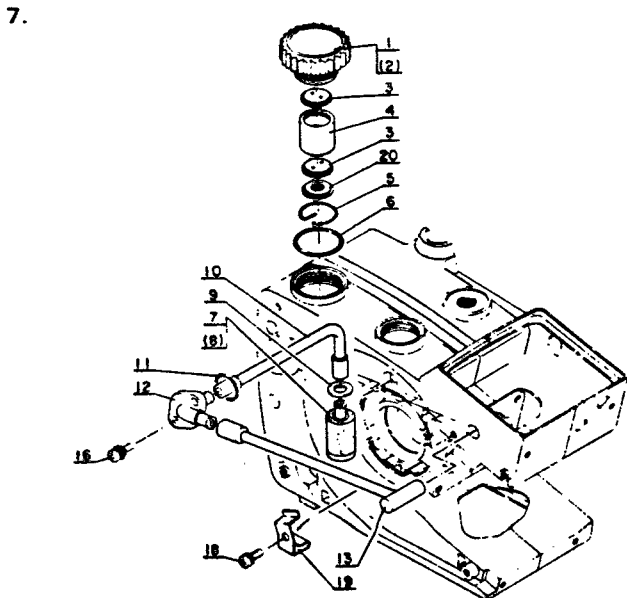


Key No.	Part No.	Q'ty	Description
5-	123 000-0393	1	Carburetor ass'y WA5B
1	-123 144-0393	5	Screw
2	-123 142-0393	0	Metering diaphragm cover
3	-123 141-0393	0	Metering diaphragm
4	-123 140-0393	0	Diaphragm gasket.
5	-123 167-0523	0	Circuit plate Screw
6	-123 166-0393	0	Circuit plate
7	-123 165-0393	0	Check valve diaphragm
8	-123 164-0393	0	Circuit plate
9	-123 123-0393	0	Metering lever

Key No.	Part No.	Q'ty	Description
5- 10	-123 138-0393	0	1 Metering lever pin
11	-123 139-0393	0	1 Lever pin screw.
12	-123 122-0393	0	1 Metering lever Spring
13	-123 137-0393	0	1 Inlet needle valve
14	-123 119-0393	0	1 H.S. adjust spring
15	-123 120-1003	0	1 High speed needle
16	-123 121-0393	0	1 Idle needle adjust spring
17	-123 118-0623	0	1 Idle needle
18	-123 127-0393	0	1 Throttle shaft clip
19	-123 117-0393	0	1 Throttle shaft
20	-123 113-0393	0	1 Throttle return spring
21	-123 116-0393	0	1 Throttle valve
22	-123 114-0393	0	1 Shutter screw
23	-123 126-0393	0	1 Inlet screen
24	-123 112-0393	0	1 Pump diaphragm
25	-123 125-0393	0	1 Pump gasket
26	-123 124-0393	0	1 Pump cover
27	-123 110-0393	0	1 Pump cover screw
28	-123 134-0393	0	1 Idle adjust screw
29	-123 133-0393	0	1 Idle adjust spring

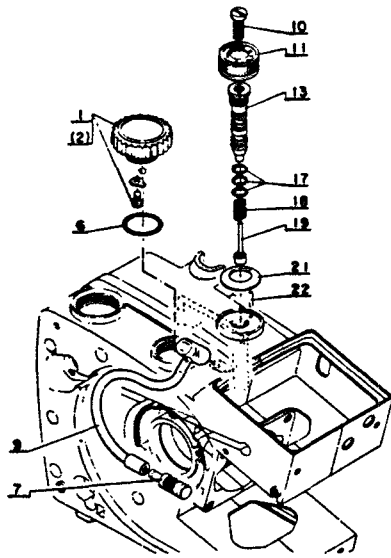


Key No.	Part No.	Q'ty	Description
6- 1	100 200-0393	1	1 Crankcase set
7	-100 215-0393	0	2 Knock pin
6	100 242-0393	0	1 Gasket
8	900 600-0000	4	14 Washer 4
10	900 105-0402	5	12 H.S.H. Bolt 4x25
11	100 618-0393	0	1 Dust seal
12	900 242-0402	0	2 Screw 4x20
15	100 614-0393	0	1 Plug



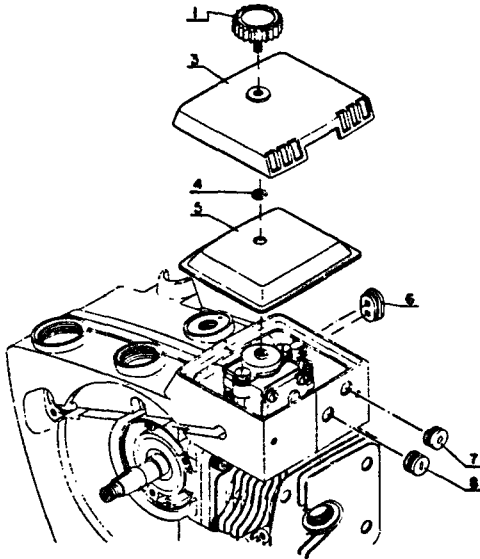
Key No.	Part No.	Q'ty	Description
7- 1	131 600-0393	1	1 Cap ass'y, Fuel tank
3	-131 031-0393	0	2 Spacer,
4	-131 030-0393	0	1 Supporter
5	-131 032-0393	0	1 Circlip
20	-131 035-0343	1	1 Filter
2	-890 154-1513	0	1 Decal, fuel mix
6	-900 720-0002	2	1 O-ring 22
7	131 200-0283	0	1 Fuel strainer
8	-131 214-0283	0	1 Cap, strainer
9	900 603-0000	5	1 Washer 5
10	132 010-0393	0	1 Fuel pipe (Inner)
11	900 720-0001	4	1 O-ring 14
12	132 011-0393	0	1 Fuel pipe connector
13	132 012-0393	0	1 Fuel pipe (Outer)
16	900 242-0401	2	2 Screw 4x12
18	900 241-0401	0	1 Screw 4x10
19	159 112-0393	0	1 Clip

8.



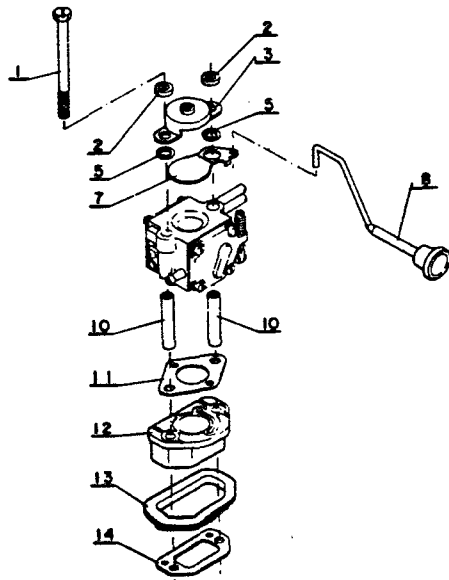
Key No.	Part No.	Q'ty	Description
8- 1	436 002-1143 0	1	Cap ass'y (oil tank)
2	-890 153-1143 0	1	Decal, chain oil
6	-900 720-0001 6	1	O-ring 16
7	436 205-0283 2	1	Oil strainer
9	437 211-0393 1	1	Oil pipe (inner)
<hr/>			
10	900 220-0501 4	1	Screw 5x14
11	437 008-0343 0	1	Dial
(12)	890 022-0343 0	1	Caution label
13.19	437 000-0343 0	1	Auto, Oiler ass'y
17	-437 020-0283 0	3	O-ring (S-5)
<hr/>			
18	-437 019-0283 0	1	Spring
21	437 036-0343 0	1	Flat spring
22	900 330-1509 8	1	Needle roller

9.



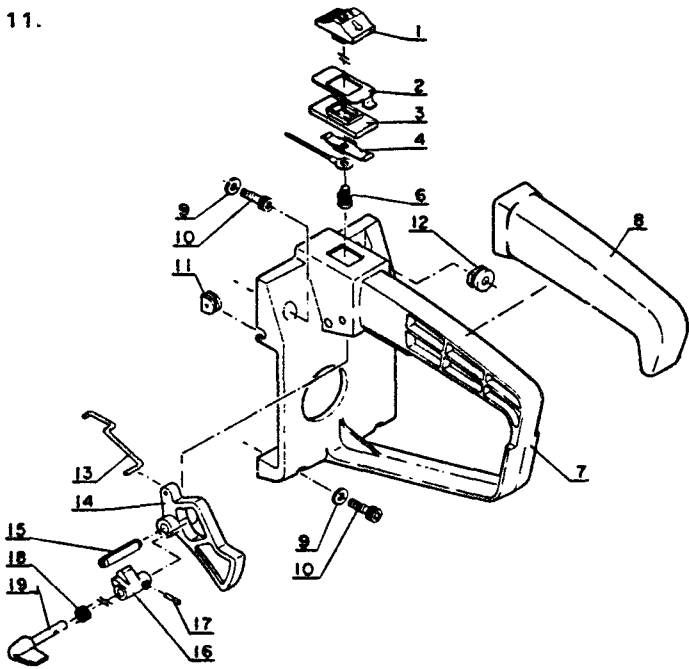
Key No.	Part No.	Q'ty	Description
9- 1	130 406-0393 0	1	Thumb bolt
3	130 313-0393 0	1	Cover
4	900 700-0000 3	1	E-ring 3
5	130 310-0393 0	1	Air filter
6	129 010-0393 0	1	Grommet
<hr/>			
7	178 810-0393 0	1	Grommet
8	178 210-0023 0	1	Grommet

10.



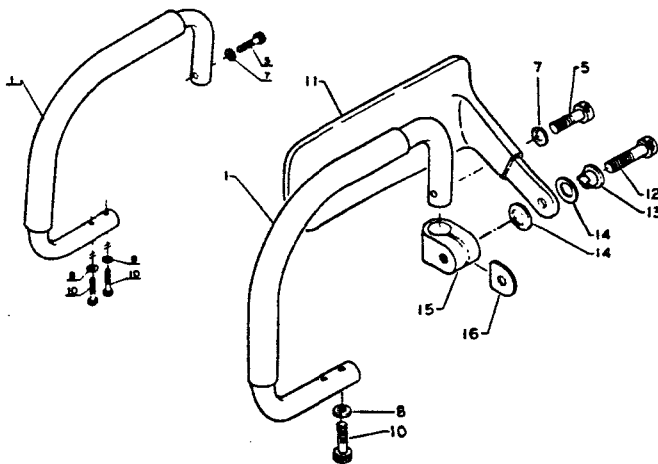
Key No.	Part No.	Q'ty	Description
10- 1	130 021-0393 0	2	Bolt, carb.
2	130 029-0393 0	2	Washer, carb.
3	130 405-0393 0	1	Cleaner set plate
5	178 516-0393 0	2	Washer
7	178 515-0393 0	1	Choke shutter
<hr/>			
8	178 510-0393 2	1	Choke rod
10	130 019-0393 0	2	Spacer
11	130 016-0393 0	1	Gasket (B)
12	130 017-0393 0	1	Insulator
13	130 012-0393 0	1	Dust seal, carb.
<hr/>			
14	130 010-0393 0	1	Gasket (A)

11.



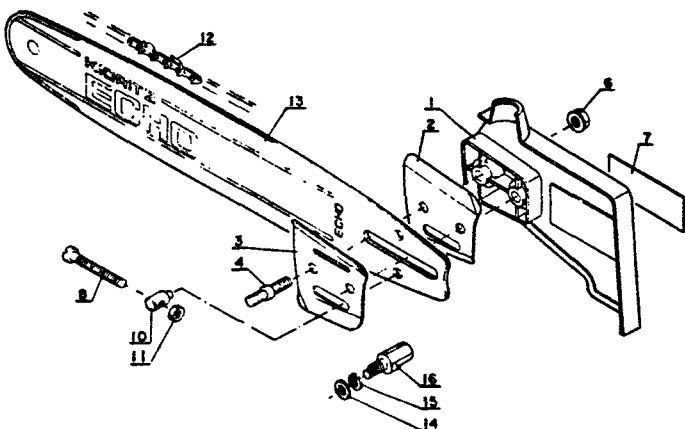
Key No.	Part No.	Q'ty	Description
11- 1	163 410-0283 0	1	Body, switch
2	163 413-0283 0	1	Ground plate
3	163 411-0283 0	1	Guide switch
4	163 412-0063 0	1	Spring Switch
6	900 241-0401 0	1	Screw 4x10
7	351 010-0393 0	1	Rear handle
8	351 012-0393 0	1	Grip
9	900 600-0000 4	4	Washer 4
10	900 105-0401 8	4	H.S.H. Bolt 4x18
11	150 114-0393 0	1	Grommet
12	178 810-0393 0	1	Grommet
13	178 011-0393 0	1	Throttle connecting rod
14	178 010-0393 0	1	Throttle trigger
15	900 342-5002 5	1	Spring pin
16	178 012-0393 0	1	Throttle latch
17	900 340-1601 0	1	Spring pin 1.6 mm
18	178 013-0393 0	1	Throttle spring
19	178 008-0343 0	1	Lock lever

12.

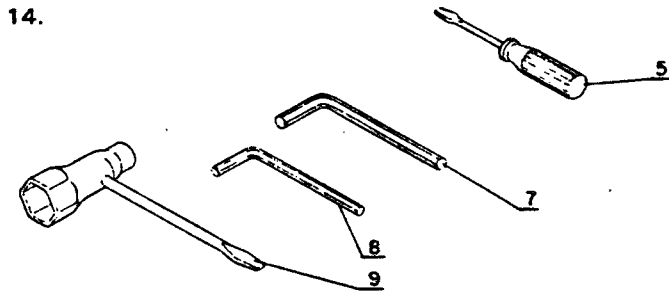


Key No.	Part No.	Q'ty	Description
12- 1	351 205-0393 1	1	Front handle
5	900 105-0502 0	1	H.S.H. Bolt 5x20
7	100 247-0283 0	1	Washer
8	900 600-0000 4	2	Washer 4
10	900 105-0401 8	2	H.S.H. Bolt 4x18
Hand guard type			
1	351 205-0393 1	1	Front handle
5	900 105-0502 0	1	H.S.H. bolt 5 x 20
7	100 247-0283 0	1	Washer
8	900 600-0000 4	2	Washer 4
10	900 105-0401 8	2	H.S.H. bolt 4 x 18
11	351 800-1333 0	1	Hand guard ass'y
12	-351 805-1333 0	1	Hand guard
12	-900 162-0503 0	1	H.S.H. bolt 5 x 30
13	-351 827-1333 0	1	Spacer
14	-351 838-1333 0	2	Conical spring washer
15	-351 835-1333 0	1	Holder
16	-351 841-1333 0	1	Spacer

13.

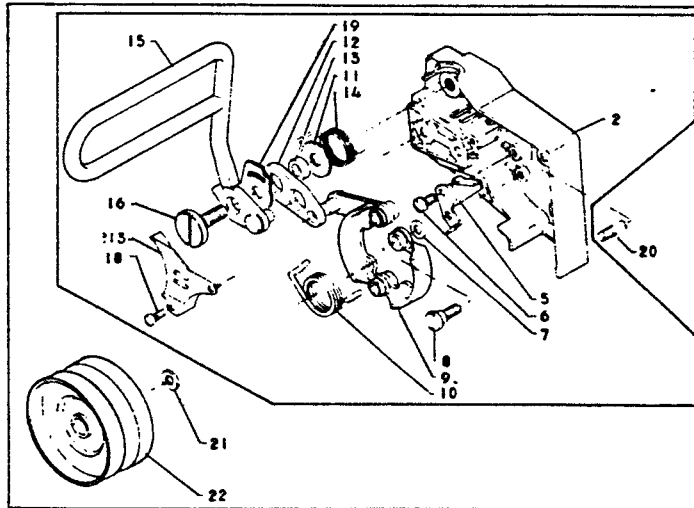


Key No.	Part No.	Q'ty	Description
13- 1	433 010-0393 1	1	Guide bar cover
2	433 012-0393 0	1	Side plate (outer)
3	433 013-0393 0	1	Side plate (inner)
4	433 011-0393 0	2	Stud
6	433 019-0393 2	2	Flange nut
7	890 021-0393 1	1	Decal
8	433 016-0283 0	1	Adjusting screw
10	433 014-0393 1	1	Tensioner
11	433 022-0283 0	1	Lock nut
14	900 600-0000 5	1	Washer 5
15	900 605-0000 5	1	Spring washer 5
16	433 026-1053 0	1	Chain catcher



Key No.	Part No.	Q'ty	Description
14- 5	895 812-0111 0	1	Screw-driver (50 mm)
7	895 610-0013 0	1	L-wrench (4 mm)
8	895 612-0343 0	1	L-wrench (3 mm)
9	895 410-0393 0	1	Box wrench, W driver

15.  
Chain brake (Option)



Key No.	Part No.	Q'ty	Description
15-	433 102-0393 1	1	Chain brake kit
20	--433 132-0393 0	1	Knock
21	-175 214-0393 0	1	Washer
22	-175 207-0393 0	1	Clutch case
	--433 100-0393 1	1	Chain brake ass'y
-----			
2	--433 110-0393 0	1	Guide bar cover
5	--433 131-0393 0	1	Shoe guide
6	--900 220-0500 8	2	Screw 5x8
7	--900 600-0000 6	1	Washer 6
8	--433 130-0393 0	1	Bolt
-----			
9	--433 101-0393 0	1	Brake shoe
10	--433 122-0393 0	1	Spring
11	--433 115-0393 0	1	Washer
12	--433 117-0393 0	1	Connector
13	--433 116-0393 0	1	Spacer
-----			
14	--433 114-0393 0	1	Return spring
15	--433 105-0393 1	1	Brake handle
16	--433 113-0393 0	1	Screw
17	--433 310-0393 1	1	Dust seal
18	--900 220-0401 0	1	Screw 4x10
-----			
19	--433 135-1053 0	1	Washer