

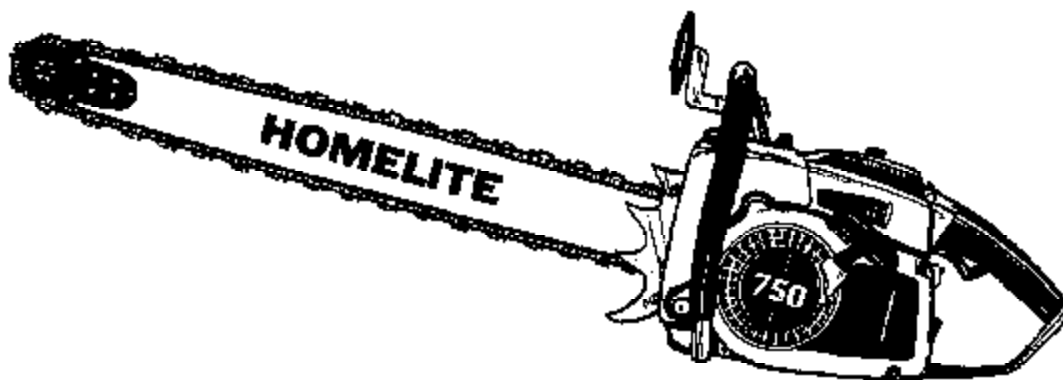
**PART NO. 17105 — REV. 2**

Printed in U.S.A.

Price .35

**HOMELITE<sup>®</sup>**  
**JACOBSEN**

# PARTS LIST



**MODELS:**

**750** (UT-10453-A)

**750E** (UT-10536-A)

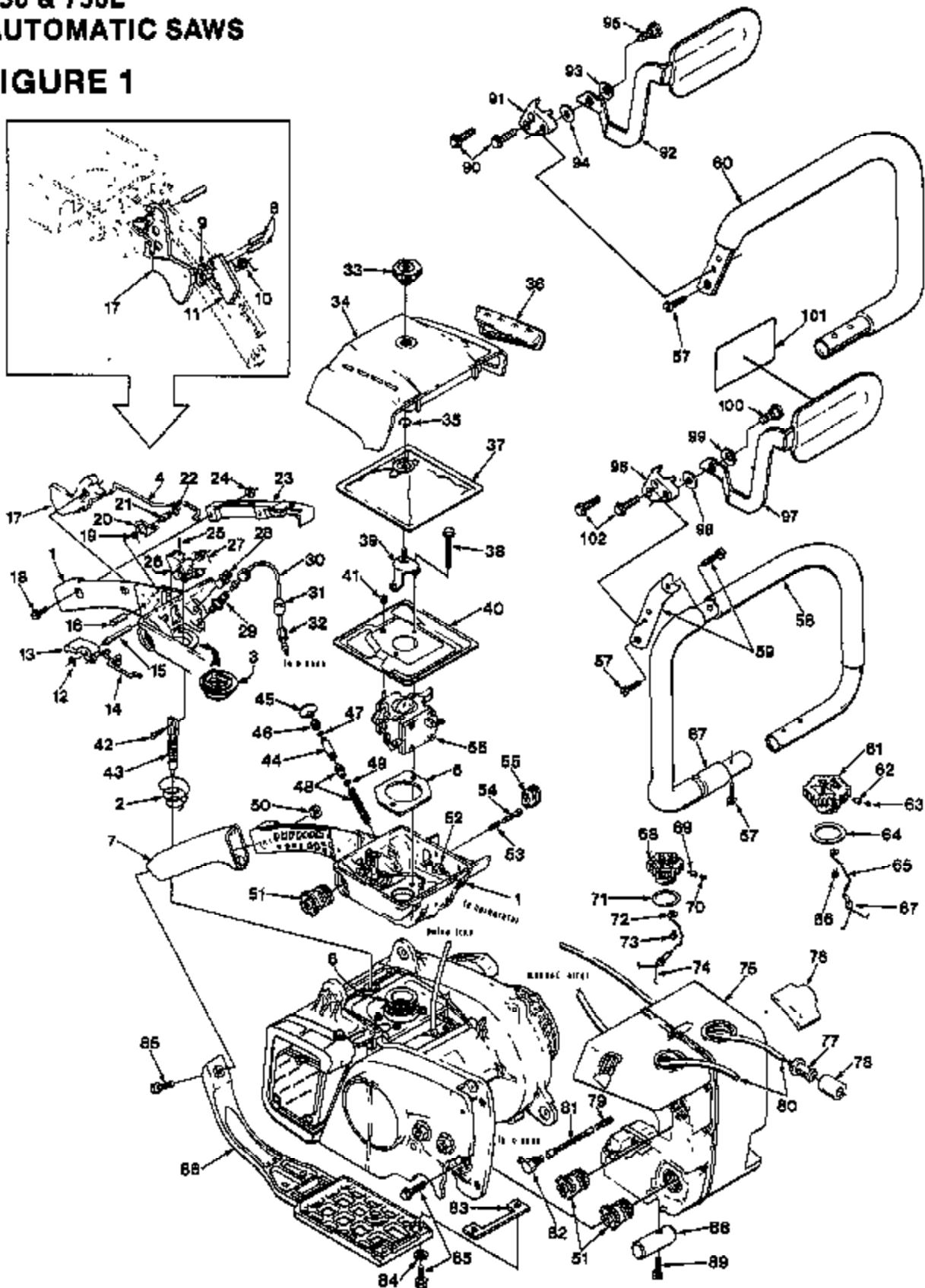
**PROFESSIONAL CHAIN SAWS**

**HOMELITE** **TEXTRON**

Homelite Division of Textron Inc.

# 750 & 750E AUTOMATIC SAWS

## FIGURE 1



## 750 & 750E AUTOMATIC SAWS

### FIGURE 1

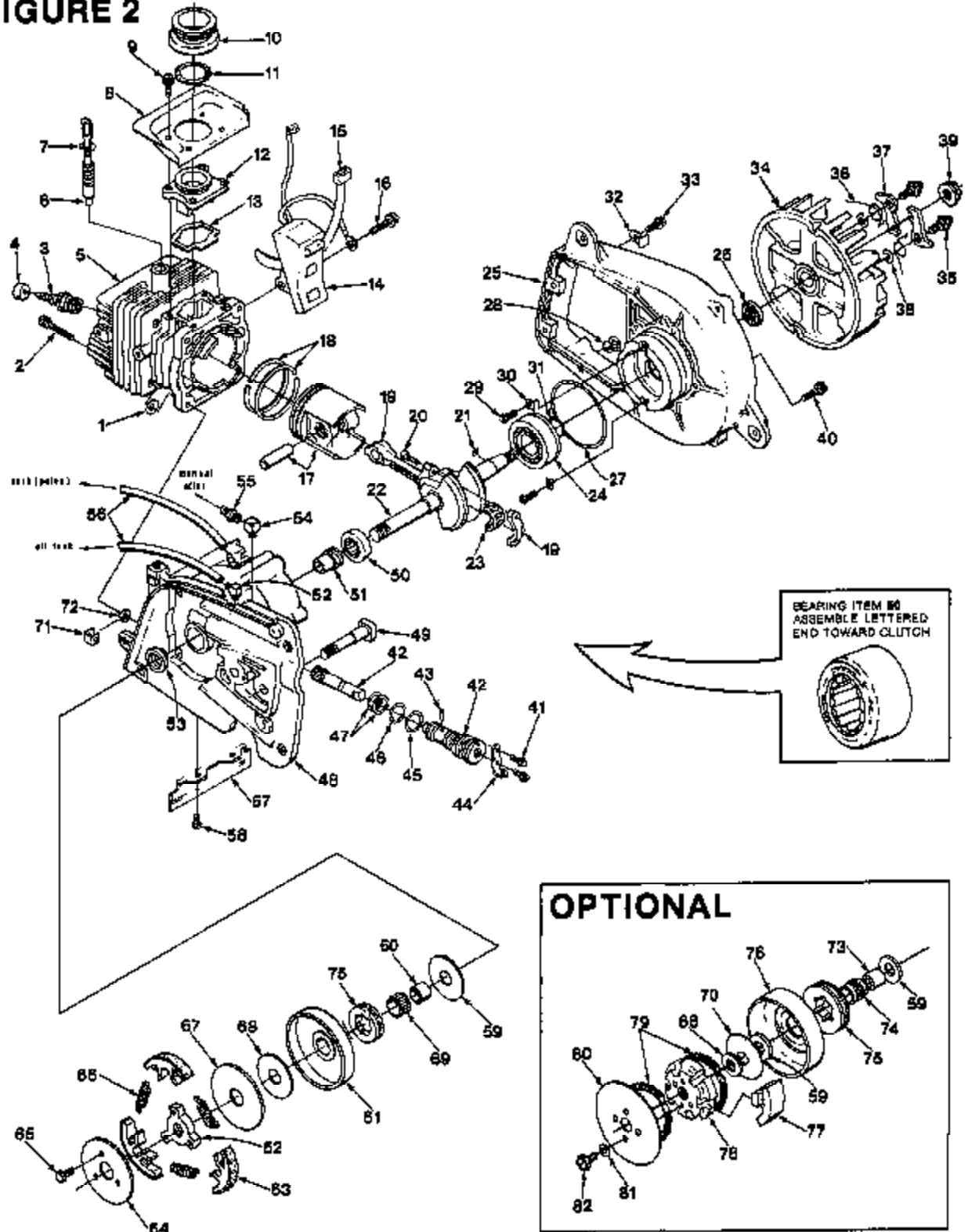
NO.	DESCRIPTION	PART NO.	QTY.	NO.	DESCRIPTION	PART NO.	QTY.
1	HANDLE- Throttle (Includes:	A-12813-1	1	60	HANDLE BAR- Flush-cut (750E)	A-12898-A	1
2	SPRING- Conical	12887	1	61	CAP- Fuel filler Includes:	A-68500-A	1
3	BOOT- Sealing	12789-A	1	62	VALVE- Check (Oval duckbill)	89451	1
4	ROD- Throttle	12842-B	1	63	FILTER- Filter cap	89454	1
5	SPACER- Heat insulation	12891	1	64	GASKET- Fuel cap	89501	1
6	CONNECTOR- Carburetor	12823-B	1	65	CHAIN- Bead	89502	1
7	GRIP- Throttle handle (Note 1)	70019-2	1	66	SCREW- Pan hd. Plastic (#8 x 1/4)	82256-A	1
8	PIN- Groove	84988	2	67	RETAINER	86535	1
9	LEVER- Trigger- lock	93182	1	68	CAP- Oil filler Includes:	A-12222	1
10	SPRING- Torsion	93823	1	69	VALVE- Check (Oval duckbill)	89451	1
11	TRIGGER- Lock (750E)	93131	1	70	FILTER- Filler cap	89454	1
12	RING- Retaining	89071	1	71	GASKET- Oil cap	12126	1
13	LEVER- Choke	12820	1	72	CHAIN- Bead	89502	1
14	ROD- Choke	12848	1	73	SCREW- Pan hd. plastic #6 x 1/4	82256-A	1
15	PIN- Pivot (Compression arm)	12882	1	74	RETAINER	86535	1
16	PIN- Trigger	12983	1	75	TANK- Fuel and Oil Includes:	A-70567-B	1
17	TRIGGER- Throttle (Note 1)	12818	1	76	BUMPER- Fuel tank	12883	1
18	SCREW- Pan hd. 8-32 x 3/8	82253	2	77	PICK- Up-Fuel Includes:	A-97700	1
19	SPRING- Torsion (Compression arm)	12881	1	78	FILTER- Felt	59253-1A	1
20	CAM- Compression release	12621	1	79	FINDER- Oil	A-64283	2
21	PIN- Pivot (Compression cam)	12880	1	80	TUBING- Fuel & Oil 12"	83112-48	2
22	RING- Retaining	12883	1	81	LINE- Oil (Flexible)	83805	1
23	COVER- Throttle handle	12816-2A	1	82	ELBOW- 90°, oil line	12681	1
24	NUT- Hex 8-32	81223	2	83	SPACER- Heat insulating	12879	1
25	SCREW- Set 10-32 x 3/8	12884	1	84	WASHER	12884	2
26	ARM- Compression release valve	72544-1	1	85	SCREW- Hex sems 10-24 x 3/4	88051	7
27	SPRING- Torsion (Compression arm)	12856	1	86	BRACE- Throttle handle	12610-2C	1
28	VALVE- Check (Inlet)	A-12987	1	87	BUSHING- Handle bar	88187	1
29	VALVE- Check (Outlet)	A-65077	1	88	STOP- Chain (750E)	83696	1
30	LINE- Manual oil discharge Includes:	A-70078	1	89	SCREW- Hex sems (750E) 10-24 x 7/8	88052	1
31	SLEEVE- 1/8 compression	25301	2	90	KIT- Hand guard (750E) Includes:	A-83987-A	1
32	NUT- Compression (5/16-24)	25302	1	91	SCREW- Sems hex hd. 10-24 x 7/8 (750E)	88052	2
33	NUT- Filter cover mounting	A-65272	1	92	BRACKET- Hand guard (750E)	12238-3	1
34	COVER- Air filter	A-93018-2A	1	93	GUARD- Hand (750E) Includes:	A-93988-A	1
35	RING- Retaining	58318-A	1	94	WASHER- (750E)	70788	1
36	INTAKE- Air (Air filter cover)	12893	1	95	WASHER- Flat (750E)	84867	1
37	FILTER ELEMENT- Air	A-12742-A	1	96	SCREW- Shoulder (750E)	93914	1
38	SCREW- Hex sems 10-24 x 2	88057	2	97	BRACKET- Hand guard (750)	12238-3	1
39	BRACKET- Air filter cover	A-93001-A	1	98	GUARD- Hand (750) (Note 2)	A-86177-A	1
40	SHIELD- Carburetor chamber Includes:	A-93294	1	99	WASHER (750)	84867	1
41	GROMMET	59312-1	1	100	WASHER (750)	70768	1
42	SCREW- Shoulder	12861	1	101	SCREW- Shoulder (750)	93914	1
43	VALVE- Compression release	A-12712	1	102	DECAL	96890	1
44	PLUNGER- Oil pump (Manual) Includes:	A-94084	1		SCREW- Sems hex hd. 10-24 x 7/8	88052	2
45	BUTTON	85084	1				
46	NUT	85082	1				
47	"O"- RING	59074	1				
48	PLUNGER- Pump Includes:	A-67235-A	1				
49	"O"- RING	58408	1				
50	NUT- Hex 10-24	81208	1				
51	ISOLATOR- Vibration	A-12708-B	5				
52	SCREW- Hex sems 10-24 x 5/8	88060	4				
53	SPRING- Idle adjustment	12784	1				
54	SCREW- Idle adjustment	12783	1				
55	GROMMET- Carburetor needle	12881	1				
56	CARBURETOR (WB-9)	A-94108	1				
57	SCREW- Soc hd. cap 10-24 x 7/8	82282	4				
58	HANDLE BAR- Wrap around (750) Includes:	A-12714-A	1				
	BRACE- Handle	12786-A	1				
	SCREW- Soc hd. cap 10-24 x 7/8 (See #57)	82282	1				

NOTE 1: Units without trigger lock items #8, #9, #10 and #11, must use 70019-A grip.

NOTE 2: HAND GUARD A-86177-A must be used with A-12714-A handle bar.

**750 & 750E  
AUTOMATIC SAWS**

**FIGURE 2**

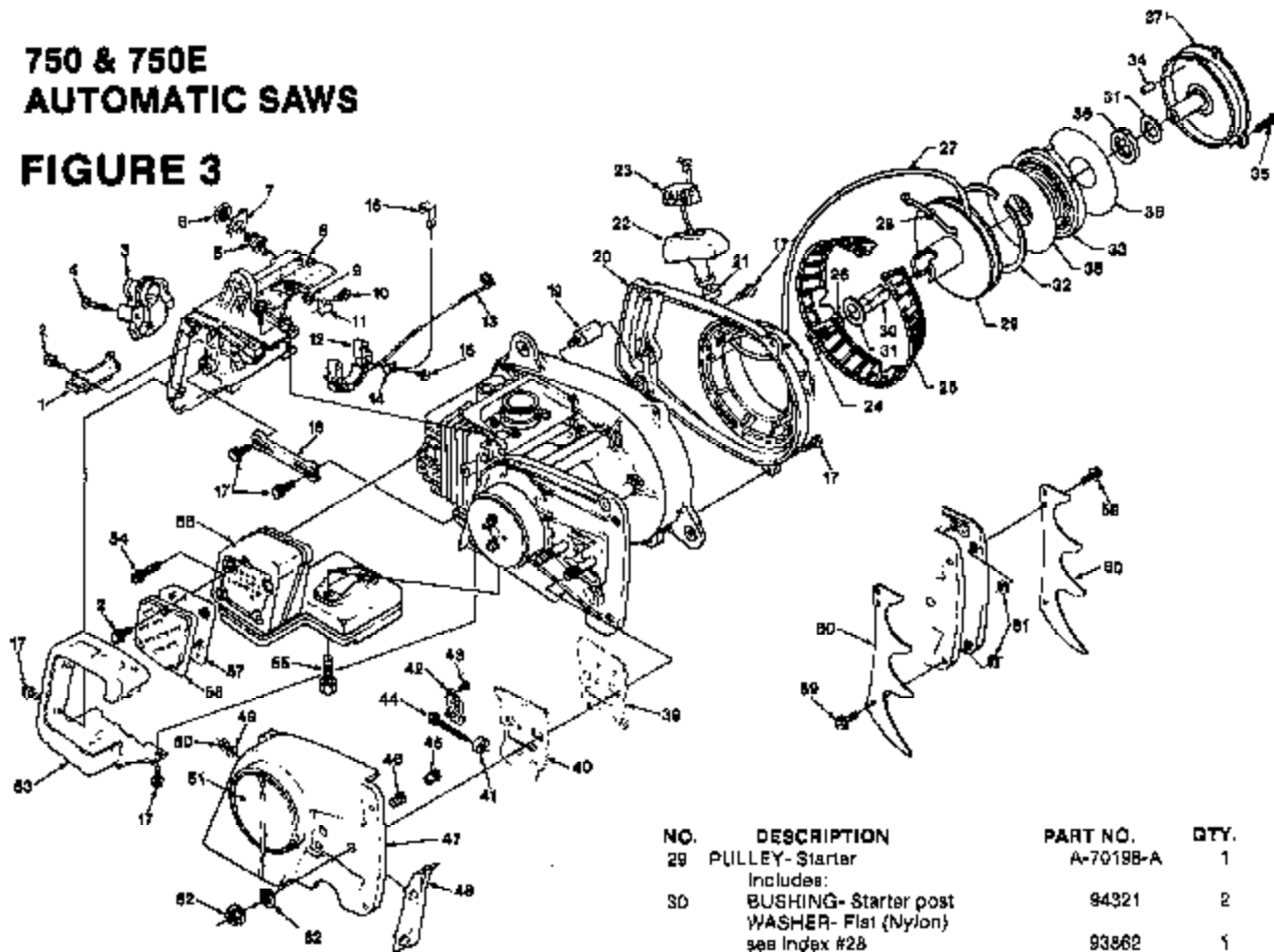


## 750 & 750E AUTOMATIC SAWS FIGURE 2

NO.	DESCRIPTION	PART NO.	QTY.	NO.	DESCRIPTION	PART NO.	QTY.
1	WASHER- Conical	12831	4	45	"O" RING	12854	1
2	SCREW- Socket hd. 10-24 x 1	82246	4	46	"O" RING	12095	1
3	SPARK PLUG (CJ-3)	70210-S	1	47	"O" RING	12853	2
	SPARK PLUG (UCJ-4G) accessory	88713-S	1	48	CRANKCASE (see Note 1)	A-93957	1
4	GROMMET- Spark plug	12181	1		Includes:		
5	CYLINDER	A-70489-B	1	49	STUD- Guide bar (see Note 2)	93818	2
	Includes:			50	BEARING- Roller	70408-A	1
6	VALVE- Compression	A-12712	1	61	GEAR WORM	12071	1
7	RING- Retaining	75120	1	52	FITTING	84819	1
8	DEFLECTOR- Air	12794	1	53	SEAL	12308	1
9	SCREW- Hex sems 8-32 x 5/8	88043	4	54	CONNECTOR- Elbow 90°	31784	1
10	CONNECTOR- Carburetor	12823-B	1	55	FITTING- Straight	31733-1	1
11	SPRING- Garter	12856	1	56	LINE- Flexible 4"	93157-18	2
12	MANIFOLD- Intake	12822-B	1	67	SHIELD- Heat	12777	1
13	GASKET- Intake manifold	12848-A	1	68	SCREW- Pan hd. 8-32 x 3/8	82253	2
14	MODULE & CORE	12888-AB	1		KIT- Clutch	A-94157	1
15	TIE- Cable (Module leads)	12288	1		Includes:		
16	SCREW- Hex sems 8-32 x 1 1/4	88045	1	58	WASHER- Thrust	12868	1
17	PISTON & PIN	A-70672-A	1	60	RACE- Inner	12892	1
	Includes:			61	DRUM- & HUB (7 Spllns)	A-93885-A	1
18	PISTON RING	88193-A	2	62	SPIDER- Clutch	83811	1
19	ROD- Connecting	A-70274	1	63	SHOE- Clutch	A-93815	3
	Includes:			64	COVER- Clutch	93828	1
20	SCREW- Soc. hd. 10-32 x 5/8	80345	2	65	SCREW- Hex sems 8-32 x 3/75	88041	3
21	KEY- Woodruff	75078	1	66	SPRING- Clutch	93814-A	3
22	CRANKSHAFT	70238-2	1	67	WASHER- Thrust	83860	1
23	BEARING- Cage (14 roller)	A-70610	1	68	WASHER- Thrust	12887	1
24	BEARING- Ball	70844	1	69	BEARING- Washer	84124	1
25	PLATE- Back	A-70896	1	70	WASHER- Thrust (opt.)	12807	1
	Includes:			71	RETAINER- Nut	12888-A	4
26	BEAL	53444	1	72	NUT- Hex 10-24	81208	4
27	"O"- RING	87559	1	73	RACE- Inner (opt.)	12888	1
28	RETAINER- Lead	12859	1	74	BEARING- Needle (opt.)	85383	1
29	SCREW- Torx	70851	2	75	SPROCKET- Rim 7T .404 (7 spline)	83285	1
30	WASHER- Lock	83905	2		SPROCKET- Rim 8T .404 (6 spline) (opt.)	66980	1
31	RING- Retaining	70843	1	76	DRUM & HUB (7 spline) (opt.)	A-86727-A	1
32	CLIP- Wire (Switch lead retainer)	12888	1		DRUM & HUB (8 spline) (opt.)	A-85991	1
33	SCREW- Hex sems 10-24 x 3/4	88051	1		CLUTCH (opt.)	A-93287-A	1
34	ROTOR & STUD	A-93133	1		Includes:		
	Includes:			77	SHOE- Clutch	83281-1A	6
35	STUD- Starter pawl	93079	2	78	SPIDER- Clutch	83288-1	1
36	SPRING- Starter pawl	85375	2	79	SPRING- Clutch	98289	2
37	PAWL- Starter	58756	2	80	COVER- Clutch (opt.)	A-24921-A	1
38	WASHER- Lock	70901	2		Includes:		
39	NUT- Hex flange 3/8-24	81238	1	81	WASHER- Belleville #10	12021	2
40	SCREW- Hex sems 10-24 x 5/8	88060	5	82	SCREW- Hex 10-32 x 1/2 (opt.)	80361-2	2
41	SCREW- Hex sems 8-32 x 3/8	88041	2		SPROCKET & DRUM- Spur (Opt.) (8T, 3/8 pitch)	A-12818	1
42	PUMP- Automatic oil	A-12723	1		NOTE 1: Prior to Lot #8074 use crankcase A-70470.		
	Includes:				NOTE 2: Prior to Lot #8074 use stud 58334-A.		
43	PIN- Camguide	12108	1				
44	BRACKET- Oil pump retainer	12078	1				

# 750 & 750E AUTOMATIC SAWS

## FIGURE 3



NO.	DESCRIPTION	PART NO.	QTY.
1	SNUBBER- Rear	A-12803-A	1
2	SCREW- Hex sams 8-32 x 3/8	88041	5
3	TRANSFORMER	A-12299-AS	1
Includes:			
4	SCREW	85270	2
	GROMMET (Shown in Fig. 3)	12191	1
5	SWITCH- Grounding	A-57850-A	1
Includes:			
6	NUT- Hex	72084-A1	1
7	PLATE- Indicating (Run-Stop)	12783-A	1
8	SHIELD- Cylinder	12806-2B	1
9	NUT- Hex 10-24	81208	2
10	SCREW- Hex sams 10-24 x 3/4	88051	3
11	RETAINER- Nut	12872	2
12	RECEPTACLE- Transformer	A-70088	1
13	LEAD- Module	A-12719-B	1
14	CONTACT- Transformer	12788	2
15	CONTACT- Ground	70720	1
16	SCREW- Pan hd. plastic #6 x 3/8	82215	2
17	SCREW- Hex sams 10-24 x 5/8	88050	11
18	BRACE- Cylinder shield	12773	1
19	SPACER- W/ Stud	A-93055	1
20	HOUSING- Rewind starter	A-12812	1
Includes:			
21	BUSHING- Starter rope	67177	1
22	GRIP- Starter rope	A-68862-B	1
Includes:			
23	INSERT- Rope retaining	70018-A	1
24	SCREW- Pan hd. 10-24 x 1/2	98620	1
25	SCREEN- Starter housing	12625-A	1
26	WASHER- Retaining	12789	1
27	ROPE- Starter (48" long) #5	A-93675	1
Includes:			
28	WASHER- Flat (Nylon)	93862	1

NO.	DESCRIPTION	PART NO.	QTY.
29	PULLEY- Starter	A-70198-A	1
Includes:			
30	BUSHING- Starter post	94321	2
	WASHER- Flat (Nylon)	93862	1
see Index #28			
31	WASHER	94320	2
32	RING- Retaining	12637	1
33	SPRING- Rewind	A-94885	1
Includes:			
34	SLEEVE- Pin	94884	1
35	SCREW- Pan hd. 8-32 x 1/2	80580	3
36	LOCK- Rewind spring	12957	1
37	COVER- Starter	A-93917	1
Includes:			
38	SHIELD- Rewind spring (inner)	83278	2
39	PLATE- Guide bar (inner)	70388	1
40	PLATE- Guide bar (Outer)	70400	1
41	PIN- Guide bar adjustment	93039	1
42	COVER- Gear	12134	1
43	SCREW- Pan hd. 6-32 x 3/8	82251	2
44	SCREW- Guide bar adjustment	A-12746	1
45	ADJUSTOR- Guide bar	A-70684	1
46	BUSHING	70683	1
47	COVER- Drivecase	A-93748	1
Includes:			
48	GUARD- Chain	A-70159	1
Includes:			
49	WASHER- Belleville	12940	2
50	NUT- Hex 8-32	81008	2
51	DECAL	70241	2
52	NUT- Hex flange 3/8-16	81089-2	2
53	SHIELD- Muffler	12969-3	1
54	SCREW- Soc. hd. cap 10-24 x 3/4	82283	2
55	SCREW- Soc. hd. cap 1/4 x 3/4	82318	2
56	MUFFLER	A-12738-1B	1
57	ARRESTOR- Spark	A-83988-A	1
58	CAP- Muffler exhaust	12824-1	1
59	SCREW- Hex sams 10-24 x 1/2	88048	4
60	PLATE- Bumper (Long spike)	84632	1
61	NUT- Hex 10-24	81208	4
62	WASHER- Flat	95479-A	2

## 750 & 750E AUTOMATIC SAWS

### TOOLS

NO.	DESCRIPTION	PART NO.
	BODY ASSEMBLY	23136-2A
	CD TEST LAMP	A-24894
	COLLAR & PLUNGER	A-24878
	GAUGE- Feller ( 016 thick)	22488
	PLIERS- Retaining ring	22828
	PLUG- Seal installation (crankcase)	24968
	PLUG- Seal removal (crankcase)	A-24988
	SLEEVE- Seal assembly (crankcase)	23758
	SLEEVE- Crankshaft brg	17082-1
	PLUG- Seal removal (backplate)	17027
	PLUG- Bearing & Seal installation & removal	17026
	JACKSCREW ASSEMBLY	A-28137
	REAMER- Valve seat	A-24884
	TOOL & PLUNGER- Piston pin	A-24871
	WRENCH- Combination	A-24884-A
	WRENCH- Combination	A-23837-B
	WRENCH- Socket (750 only)	68851
	SCREWDRIVER	24541
	KEY- Hex	94824
	ANVIL- Ball bearing	17088-1
	ANVIL	17081
	PULLER- Rotor	A-17106-B
	Includes	
	SCREW- Hex hd	80827
	STUD	17108
	RING	83972
	WRENCH- Spanner	A-93791
	Includes	
	PIN	23717-A
	SHIM- 0125" Thick	24308
	IGNITION TEST SPARK PLUG	JA-31216-4
	CARBURETOR REPAIR TOOL KIT	17789

### ACCESSORIES

NO.	DESCRIPTION	PART NO.
	ROPE- Starting #6, 250' reel	57084-1
	TUBING- Rubber (10 ft)	93112-99
	TUBING- Rubber (10 ft)	93157-89
	COMPOUND- DC4 (8 oz tube)	22638-B
	SAFE-T-TIP (STD)	DA-70780-A
	Includes	
	SCREW- #1/4-20 x 5/8	82335
	RIGHT HAND GUARD KIT	A-12267-B
	Includes	
	SCREW- Hex socket 10-24 x 3/8	82275
	WASHER- Flat #10	84008
	NUT- Locking 10-24	81208

### PAINT

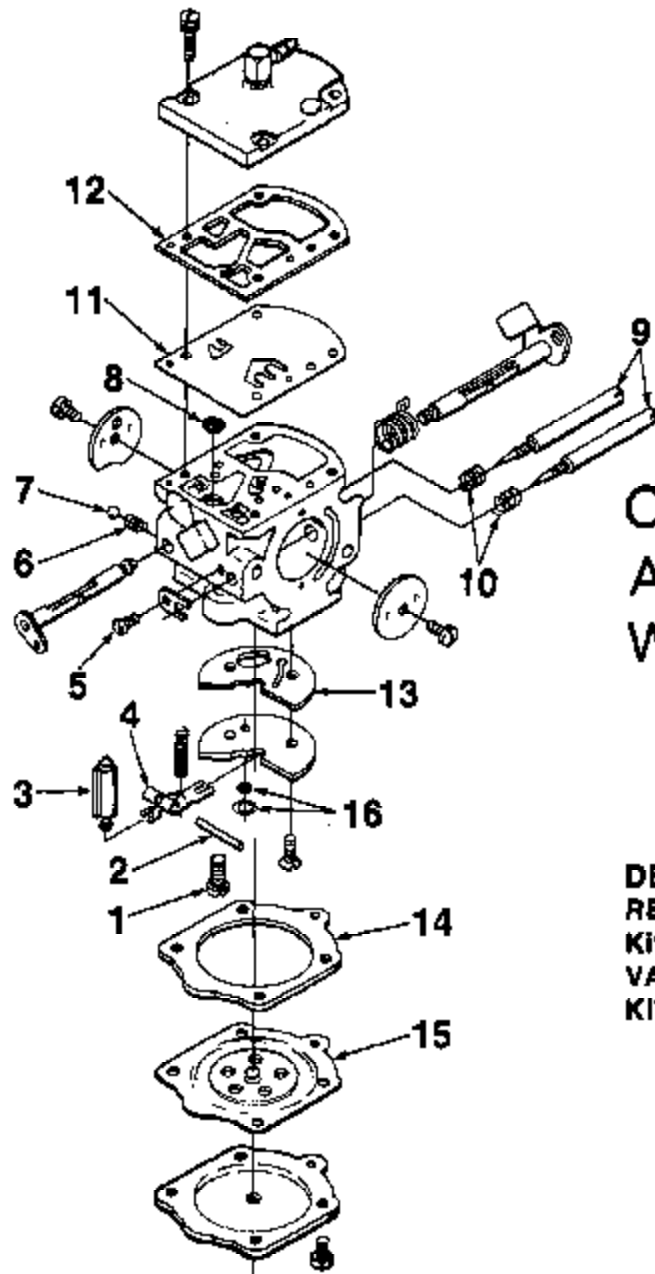
SPRAY CAN- Black	22772
SPRAY CAN- Red	23478

### 750E ONLY

NO.	DESCRIPTION	PART NO.	QTY.
	KIT- Chain brake	A-93011-D	1
	Includes		
	PIN- Dowel	59751	1
	HUB & DRUM	A-93885-2A	1
	COVER- Gear	12134	1
	SCREW- Guide bar adjusting	A-12746	1
	SLEEVE- Headed	70313	1
	BUSHING	70893	1
	SCREW- Gear & Adjusting	A-70894	1
	BRAKE- Spring chain	70878	1
	COVER- Drivcase	70876-2	1
	BAND- Brake	70878	1
	LOCKING- Lever	70884	1
	STUD- Spring mounting	70900	1
	LEVER- Brake	A-97223	1
	Includes		
	RING- Retaining	70925	1
	BEARING- Roller	94815	1
	DECAL	98880	1
	SCREW- 1/4-20 x 1 1/4	80812	1
	SCREW- Mach pan hd 6-32 x 3/8	82261	2
	PIN- Guide bar adjusting	93039	1
	SPRING- Torsion	93086	1
	SLEEVE	93280	1
	WASHER- Flat	83282	3
	SLEEVE- Lever	93296	1
	SCREW- Shoulder	93773	1

### 750 ONLY

NO.	DESCRIPTION	PART NO.	QTY.
	KIT- Chain brake	A-93012-D	1
	Includes		
	PIN- Dowel	59751	1
	COVER- Gear	12134	1
	SCREW- Guide bar adjusting	A-12746	1
	SLEEVE- Headed	70313	1
	BUSHING	70893	1
	ADJUSTER- Guide bar	A-70894	1
	SPRING- Chain brake	70873	1
	COVER- Drivcase	70876-2	1
	BAND- Brake	70878	1
	LEVER- Lock	70884	1
	STUD- Spring-mounting	70900	1
	LEVER- Brake	A-97223	1
	Includes		
	BEARING- Roller	94815	1
	RING- Retaining	70925	1
	DECAL	98880	1
	SCREW- 1/4-20 x 1 1/4	80812	1
	SCREW- 6-32 x 3/8	82251	1
	PIN- Guide bar adjusting	93039	1
	SPRING- Torsion	93086	1
	SLEEVE	93280	1
	WASHER	83282	3
	LEVER- Slave	93296	1
	SCREW- Shoulder	93773	1
	HANDLE BAR	A-93008	1
	HUB & DRUM	A-93886-2A	1



**CARBURETOR  
A-94108  
WB-9**

DESCRIPTION	PART NO.
REPAIR KIT (1-15)	94131
Kit- Gasket/Diaphragm (11-15)	95241
VALVE- Inlet Needle (3)	64229
KIT- Valve repair (16)	95240

**HOMELITE DIVISION OF TEXTRON INC.**  
P.O. BOX 7047  
14401 CAROWINDS BOULEVARD  
CHARLOTTE, N.C. 28217

25871Y

**HOMELITE TEXTRON**

Homelite Division of Textron Inc.