

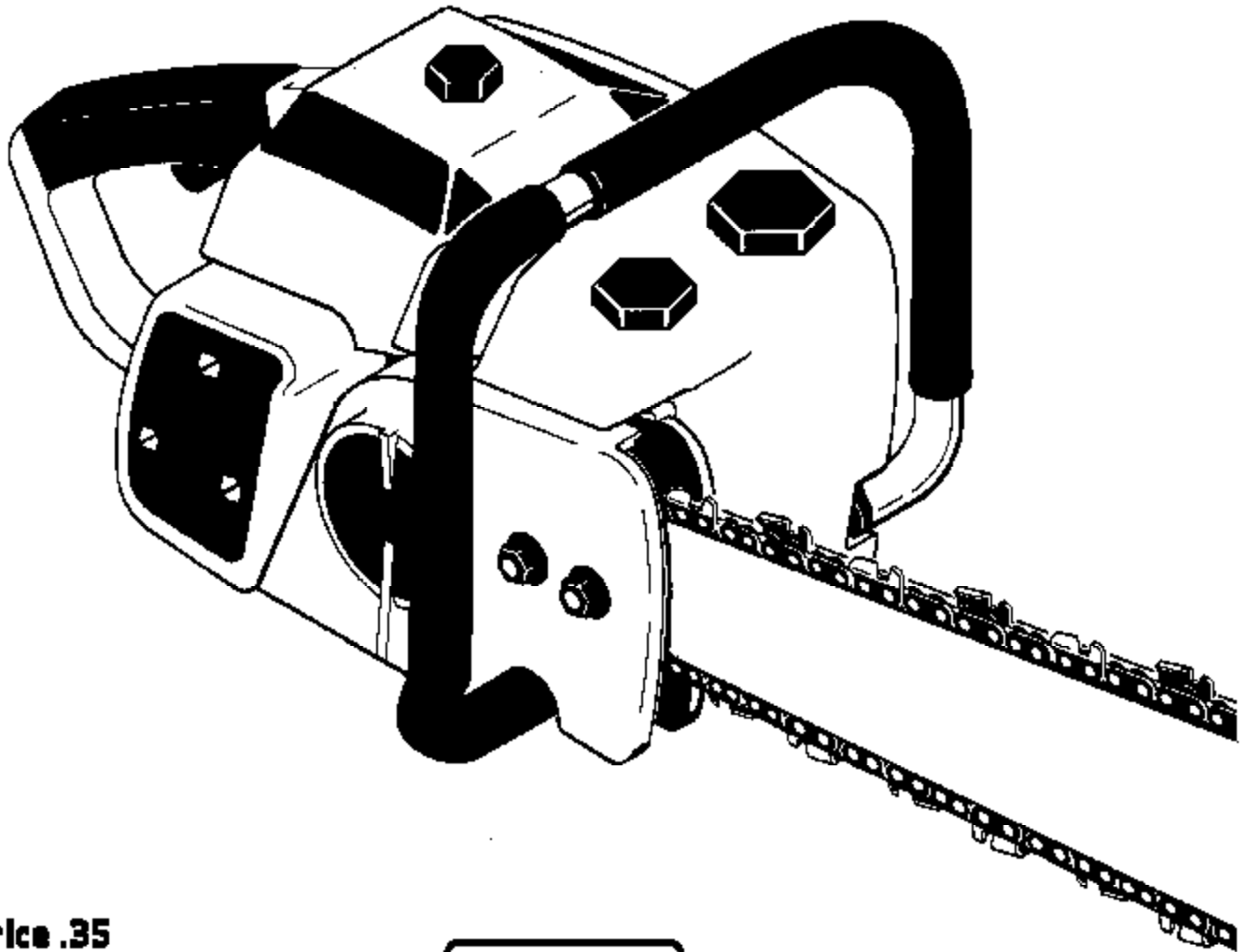


parts list

automatic chain saws

above s/n 50490307 only

UT10428



price .35

part no. 24836 rev 1

HOMELITE®

650 - 650E automatic saws

TOOLS

| | |
|---|-----------|
| ANVIL-bearing removal (crankcase) | 23846-1 |
| ANVIL-bearing removal (crankcase & backplate) | 23846-2 |
| *CD TEST LAMP | 24919 |
| *COLLAR & PLUNGER | A-24876 |
| GAUGE-feeler (.015/.016 thick) pink | 22488 |
| KEY-hex socket | 22126 |
| PLIERS-retaining ring | 22828 |
| *PLUG-bearing & seal installation & removal | 24827-A |
| *PLUG-seal installation | 24868 |
| *PLUG-seal installation | 24826-A |
| *PULLER-rotor removal | A-24861 |
| *REAMER-valve seat | A-24884 |
| SLEEVE-seal assembly (crankcase & backplate) | 23759 |
| SLEEVE-seal removal (crankcase) | 23136-6 |
| TOOL & PLUNGER-piston pin | A-24871 |
| WRENCH-combination (650) only | A-24284 |
| WRENCH-combination (650E) only | A-23937-B |
| WRENCH-socket (650) only | 68651 |
| WRENCH-spanner | A-23696-A |

ACCESSORY

| | |
|-----------------------------|---------|
| ROPE-starting #5, 250' reel | 57084-1 |
|-----------------------------|---------|

PAINT

| | |
|-----------------|-------|
| SPRAY CAN-black | 22772 |
| SPRAY CAN-red | 23475 |

Refer to tool sheet #24908 for complete tool information

* Denotes new parts

650 - 650E automatic saws

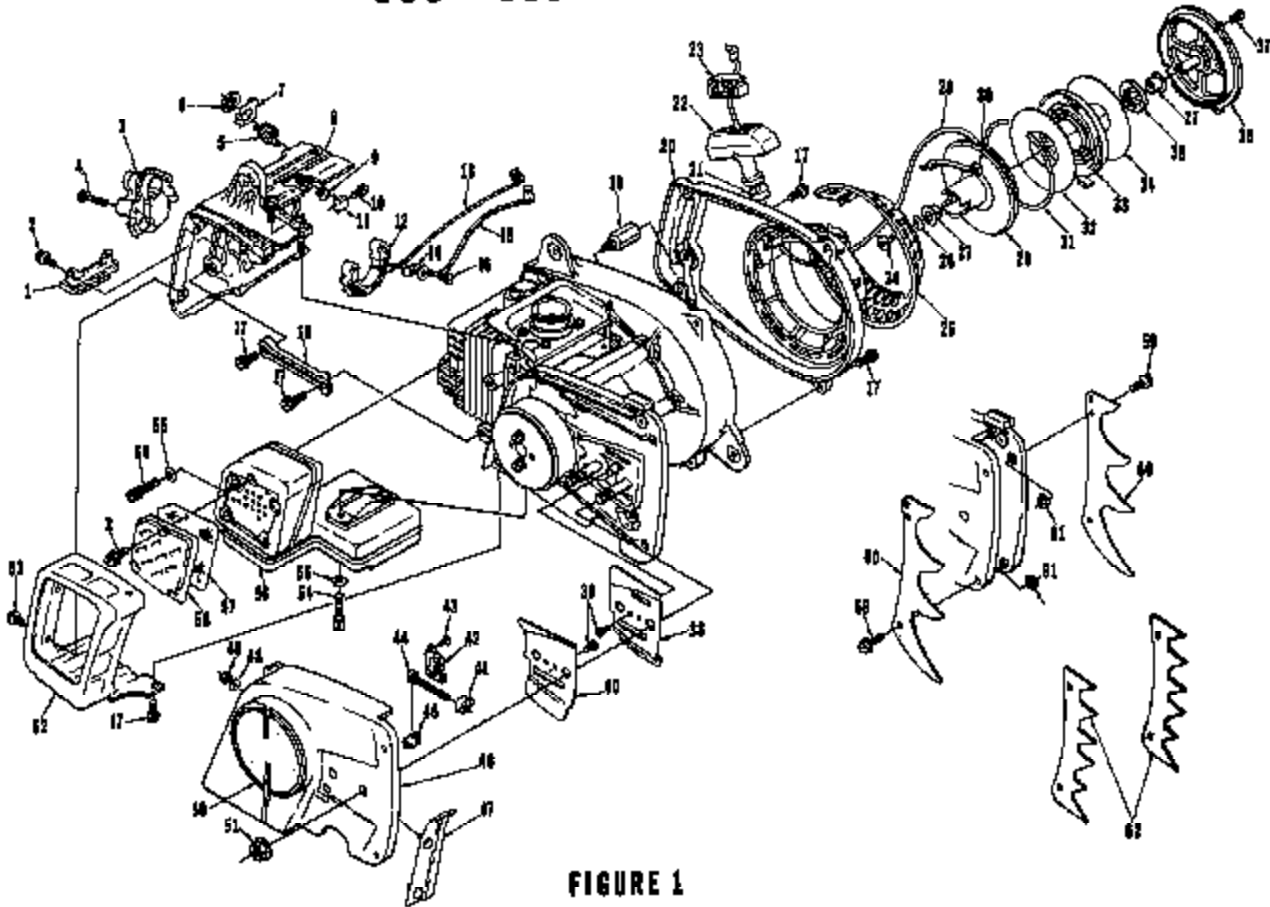


FIGURE 1

| No. | Description | Part No. | Qty. | No. | Description | Part No. | Qty. |
|-----|----------------------------------|-----------|------|----------------------------|------------------------------|------------|------|
| * 1 | SNUBBER-rear | A-12803-A | 1 | *32 | SHIELD-rewind spring (outer) | 12636 | 1 |
| 2 | SCREW-hex 8ems, 8-32 x 3/8 | 88028 | 5 | *33 | SPRING-rewind | 12634 | 1 |
| * 3 | TRANSFORMER | A-12298-A | 1 | *34 | SHIELD-rewind spring (inner) | 12635 | 1 |
| * 4 | Includes: SCREW | 70068 | 2 | *35 | LOCK-rewind spring | 12957 | 1 |
| | GROMMET-shown on Fig. 3 | 12191 | 1 | *36 | COVER-starter | A-12614-2 | 1 |
| 5 | SWITCH-grounding | A-57716 | 1 | *37 | SCREW-pan hd., 8-32 x 1/2 | 82254 | 3 |
| 6 | Includes: NUT-hex | 72084-A1 | 1 | 38 | PLATE-guide bar (inner) | 87160-A | 1 |
| 7 | PLATE-indicating (RUN-STOP) | 12793-A | 1 | 39 | SCREW-truss hd., 6-32 x 3/8 | 80548 | 2 |
| * 8 | SHIELD-cylinder | 12606-2A | 1 | *40 | PLATE-guide bar (outer) | 87161-A | 1 |
| 9 | NUT-hex, 10-24 | 81208 | 2 | 41 | PIN-guide bar adjustment | 87585-1A | 1 |
| 10 | SCREW-hex 8ems, 10-24 x 3/4 | 88022 | 3 | 42 | COVER-gear | 12134 | 1 |
| *11 | RETAINER-nut | 12672 | 2 | 43 | SCREW-pan hd., 8-32 x 3/8 | 82251 | 2 |
| *12 | RECEPTACLE-transformer | 12623-A | 1 | *44 | SCREW-guide bar adjustment | A-12746 | 1 |
| *13 | LEAD-module | A-12719 | 1 | *45 | ADJUSTER-guide bar | A-12718 | 1 |
| 14 | CONTACT-transformer | 12786 | 2 | *46 | COVER-drivecase | A-70160 | 1 |
| *15 | LEAD-ground | A-12718 | 1 | *47 | Includes: GUARD-chain | A-70159 | 1 |
| 16 | SCREW-pan hd. Plastite, #6 x 8/8 | 82215 | 2 | Includes: WASHER-Bellville | 12940 | 2 | |
| 17 | SCREW-hex 8ems, 10-24 x 5/8 | 88020 | 8 | NUT-hex, 8-32 | 81609 | 2 | |
| *18 | BRACE-cylinder shield | 12773 | 1 | *50 | DECAL-650 | 12827 | 2 |
| *19 | SPACER-w/stud | A-12835 | 1 | *51 | NUT-flange hex, 3/8-16 | 12850 | 2 |
| *20 | HOUSING-rewind starter | A-12812 | 1 | *52 | SHIELD-muffler | 12958-2 | 1 |
| 21 | Includes: BUSHING-starter rope | 67177 | 1 | 53 | SCREW-hex 8ems, 10-24 x 1/2 | 88024 | 3 |
| *22 | GRIP-starter rope | A-69962-A | 1 | *54 | SCREW-sock. hd., 10-24 x 3/4 | 82283 | 4 |
| *23 | Includes: INSERT-rope retaining | 70018 | 1 | *55 | WASHER-Bellville | 12940 | 4 |
| 24 | SCREW-pan hd., 10-24 x 1/2 | 82210 | 1 | *56 | MUFFLER | A-12739-1A | 1 |
| 25 | SCREEN-starter housing | 12925 | 1 | *57 | ARRESTOR-spark | 12825 | 1 |
| *26 | WASHER-retaining | 12782 | 1 | *58 | CAP-muffler exhaust | 12824-1 | 1 |
| *27 | BUSHING-starter post | 12639 | 2 | 59 | SCREW-hex 8ems, 10-24 x 1/2 | 88024 | 4 |
| 28 | ROPE-starter (48" long) | 88806 | 1 | 60 | PLATE-bumper (650 only) | 69276 | 2 |
| *29 | PULLEY-starter | A-70198 | 1 | 61 | NUT-hex, 10-24 | 81208 | 4 |
| *30 | Includes: WASHER-rolled nylon | 70165 | 1 | *62 | PLATE-bumper (650 E only) | A-24889 | 1 |
| *31 | RING-retaining | 12637 | 1 | Includes: SCREW-hex 8ems | | | |
| | | | | 10-24 x 1/2 | 88024 | 4 | |
| | | | | NUT-hex, 10-24 | 81208 | 4 | |

* Denotes new parts

ALWAYS FURNISH MODEL AND SERIAL NUMBER WHEN ORDERING PARTS.

650 - 650E automatic saws

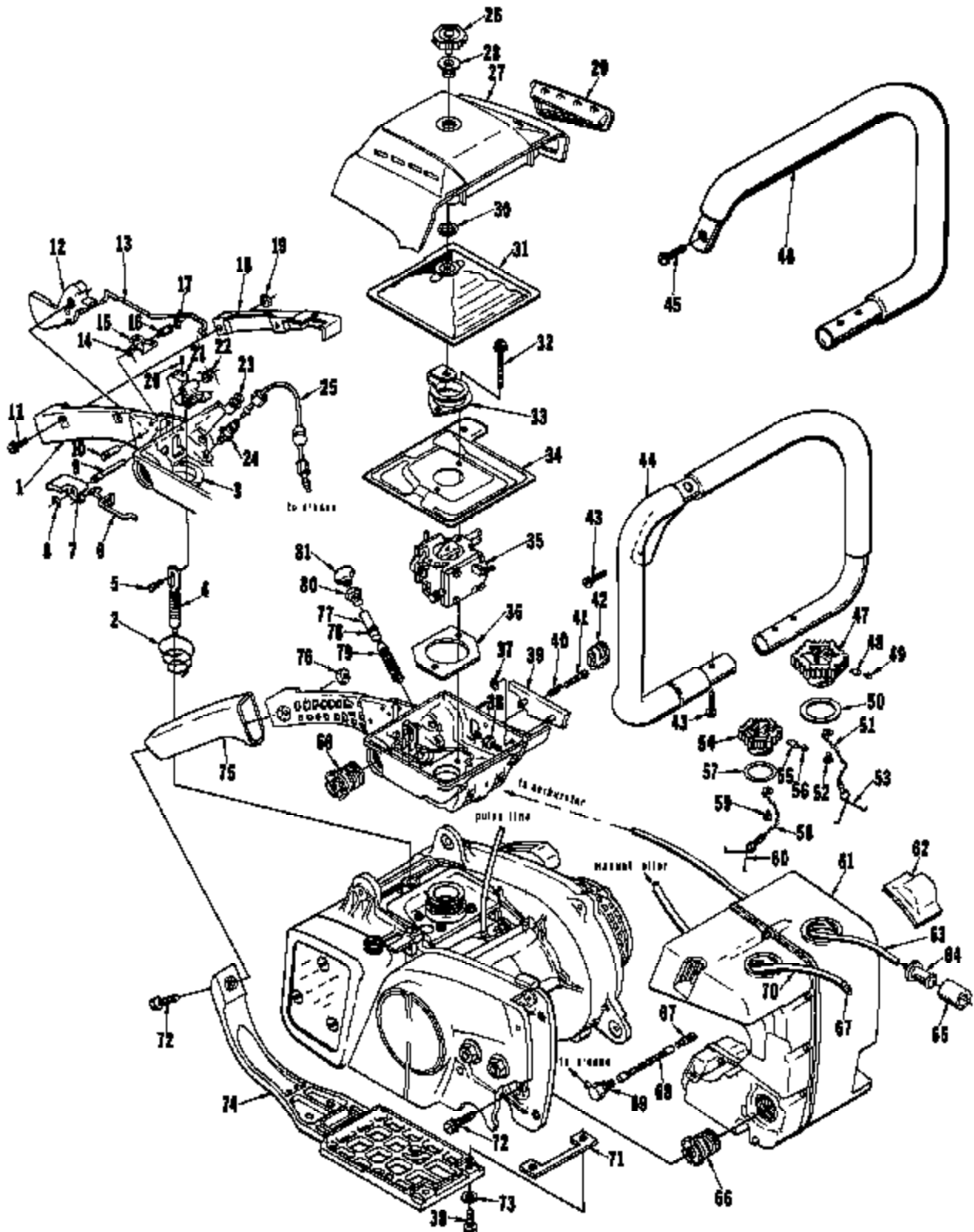


FIGURE 2

650 - 650E automatic saws

| No. | Description | Part No. | Qty. | No. | Description | Part No. | Qty. |
|-----|------------------------------------|-----------|------|-----|--------------------------------------|-----------|------|
| * 1 | HANDLE-throttle | A-12810-A | 1 | *42 | GRINDNET-carburetor needle | 12891 | 1 |
| * 2 | Includes: SPRING-coil | 12887 | 1 | *43 | SCREW-fil. hd., 10-24 x 7/8 (650) | 82297 | 4 |
| * 3 | BOOT-sealing | 12780-A | 1 | *44 | HANDLE BAR-wrap around (650) | A-12714 | 1 |
| * 4 | VALVE-compression release | A-12712 | 1 | *45 | SCREW-fil. hd., 10-24 x 7/8 (650E) | 82287 | 3 |
| * 5 | SCREW-shoulder | 12861 | 1 | *46 | HANDLE BAR-flush cut (650E) | A-12888 | 1 |
| * 6 | ROD-choke | 12643 | 1 | 47 | CAP-fuel filler | A-65500 | 1 |
| * 7 | LEVER-choke | 12820 | 1 | 48 | Includes: VALVE-check (oval ductile) | 69451 | 2 |
| * 8 | RING-retaining | 69071 | 1 | 49 | FILTER-filler cap | 69454 | 1 |
| * 9 | PIN-pivot (compression arm) | 12682 | 1 | 50 | GASKET-fuel cap | 69501 | 1 |
| *10 | PIN-trigger | 12889 | 1 | 51 | CHAIN-head | 69502 | 1 |
| *11 | SCREW-pan hd., 8-32 x 3/8 | 82253 | 2 | 52 | SCREW-pan Plastic, 6 x 1/4 | 82256 | 1 |
| *12 | TRIGGER-throttle | 12619 | 1 | 53 | RETAINER | 69503 | 1 |
| *13 | ROD-throttle | 12844-A | 1 | 54 | CAP-oil filler | A-12899 | 1 |
| *14 | SPRING-tension (compression cam) | 12641 | 1 | 55 | Includes: VALVE-check (oval ductile) | 69451 | 1 |
| *15 | CAM-compression release | 12621 | 1 | 56 | FILTER-filter cap | 69454 | 1 |
| *16 | PIN-pivot (compression cam) | 12680 | 1 | 57 | GASKET-oil cap | 12726 | 1 |
| *17 | RING-retaining | 12683 | 1 | 58 | CHAIN-head | 69502 | 1 |
| *18 | COVER-throttle handle | 12818-2A | 1 | 59 | SCREW-pan Plastic, 6 x 1/4 | 82256 | 1 |
| 19 | NUT-hex, 8-32 | 81223 | 2 | 60 | RETAINER | 69503 | 1 |
| *20 | SCREW-set, 10-32 x 3/8 | 12864 | 1 | *61 | TANK-fuel and oil | A-70070 | 1 |
| *21 | ARM-compression release valve | 12844-1 | 1 | *62 | Includes: BUMPER-fuel tank | 12863 | 1 |
| *22 | SPRING-tension (compression arm) | 12686 | 1 | *63 | LINE-fuel | A-64053-A | 1 |
| *23 | VALVE-check (inlet) | A-12887 | 1 | 64 | PICK-UP-fuel | A-59251 | 1 |
| 24 | VALVE-check (outlet) | A-86077 | 1 | 65 | Includes: FILTER-felt | 69253-1 | 1 |
| *25 | LINE-manual oil discharge | A-70079 | 1 | *66 | ISOLATOR-vibration | A-12708-B | 4 |
| *26 | NUT-filter cover mounting | A-12112-1 | 1 | 67 | FINDER-oil | A-63172 | 2 |
| *27 | COVER-air filter | A-12816-A | 1 | 68 | LINE-oil (flexible) | 63605 | 1 |
| 28 | Includes: BUSHING | 12110 | 1 | *69 | ELBOW-90° oil tube | 12661 | 1 |
| *29 | INTAKE-air (air filter cover) | 12863 | 1 | *70 | LINE-oil | 70084 | 1 |
| 30 | NUT-push-on spring | 12149 | 1 | *71 | SPACER-heat insulating | 12979 | 1 |
| *31 | FILTER ELEMENT-air | A-12742-A | 1 | 72 | SCREW-hex Sems, 10-24 x 3/4 | 82028 | 6 |
| *32 | SCREW-hex Sems, 10-24 x 2 | 89028 | 2 | *73 | WASHER | 12984 | 2 |
| *33 | TUBE-air intake | A-12704 | 1 | *74 | BRACE-throttle handle | 12810-2A | 1 |
| *34 | SHIELD-carburetor chamber | 12888 | 1 | *75 | GRIP-throttle handle | 70019 | 1 |
| *35 | CARBURETOR-WB-2 | A-12717 | 2 | 76 | NUT-hex, 10-24 | 87808 | 1 |
| *36 | SPACER-heat insulating | 12991 | 1 | 77 | PLUNGER-oil pump (manual) | A-68061-A | 1 |
| *37 | NUT-push-on | 12903 | 2 | 78 | Includes: "O" RING | 58106 | 1 |
| 38 | SCREW-hex Sems, 10-24 x 5/8 | 82020 | 6 | 79 | "O" RING | 59074 | 1 |
| *39 | DEFLECTOR-air (carburetor chamber) | 12894 | 1 | 80 | NUT | 65082 | 1 |
| *40 | SPRING-idle adjustment | 12784 | 1 | 81 | BUTTON | 65084 | 1 |
| *41 | SCREW-idle adjustment | 12782 | 1 | | | | |

* Denotes new parts

650 - 650E automatic saws

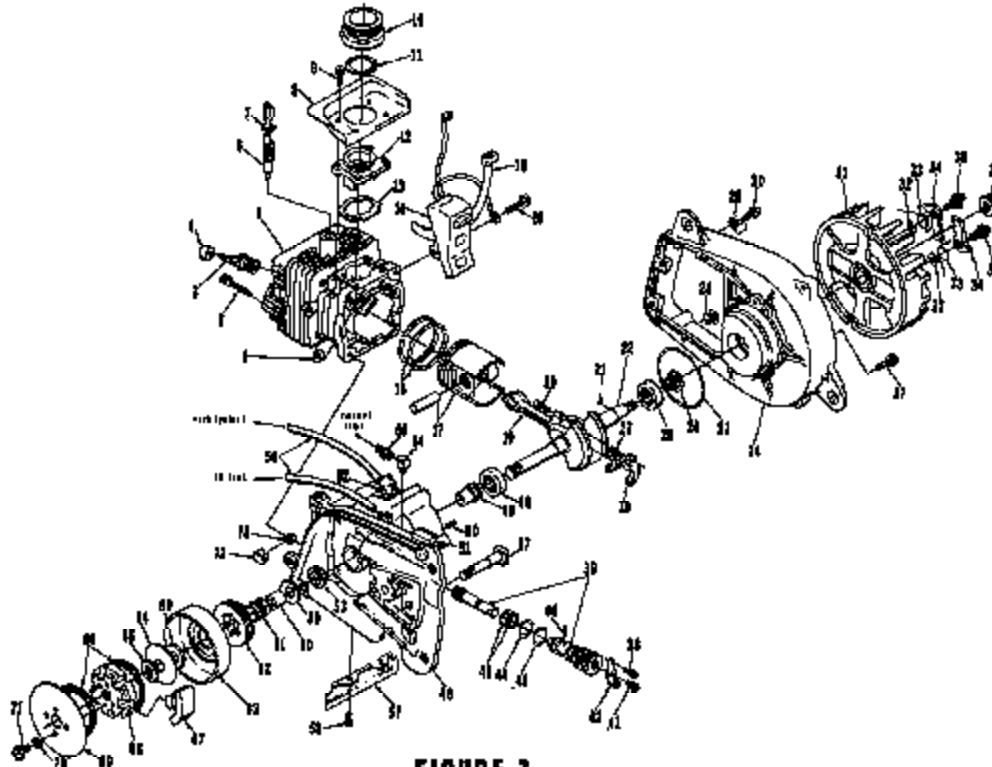
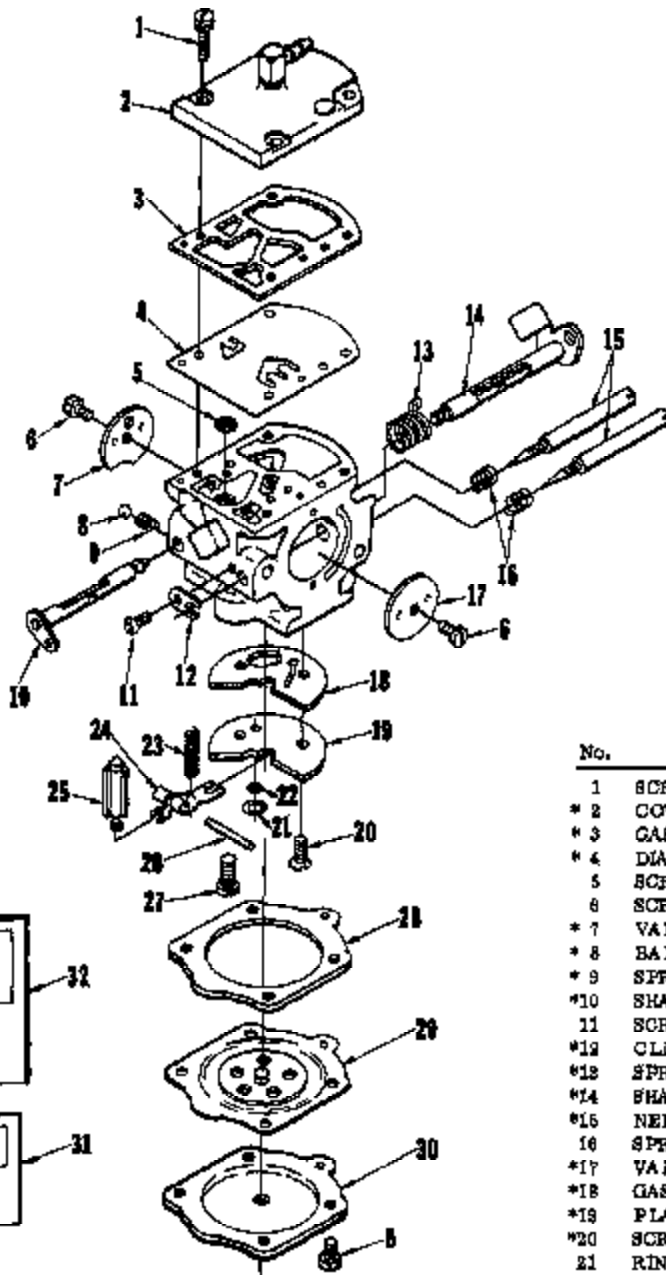


FIGURE 3

| No. | Description | Part No. | Qty. | No. | Description | Part No. | Qty. |
|-----|---------------------------------------|-----------|------|-----|---|-----------|------|
| * 1 | WASHER-wood | 12681 | 4 | *39 | PUMP-automatic oil | A-12723 | 1 |
| * 2 | SCREW-socket hd., 10-24 x 1 | 82246 | 4 | *40 | Includes: PIN-cam guide | 12108 | 1 |
| * 3 | SPARK PLUG (UCJ-4G) | 69718-B | 1 | 41 | SCREW-hex Sems, 8-32 x 3/8 | 88026 | 1 |
| | SPARK PLUG ("J" gas type) accessory | 69027-B | 1 | *42 | BRACKET-oil pump retainer | 12076 | 1 |
| 4 | GROMMET-spark plug | 12191 | 1 | *43 | "O" RING | 12884 | 1 |
| * 5 | CYLINDER | A-12729-A | 1 | 44 | "O" RING | 12096 | 1 |
| * 6 | Includes: VALVE-compression | A-12713 | 1 | *45 | "O" RING | 12863 | 2 |
| 7 | RING-retaining | 75120 | 1 | *46 | CRANKCASE | A-12721-A | 1 |
| * 8 | DEFLECTOR-air | 12794 | 1 | 47 | Includes: STUD-guide bar | 68334 | 2 |
| * 9 | SCREW-hex Sems, 8-32 x 5/8 | 88029 | 4 | 48 | BEARING-roller | 83196 | 1 |
| *10 | CONNECTOR-carburetor | 12623 | 1 | 49 | GEAR-worm | 12071 | 1 |
| *11 | SPRING-garter | 12869 | 1 | 50 | PIN-dowel | 71430 | 1 |
| *12 | MANIFOLD-intake | 12622 | 1 | *51 | BUMPER-crankcase | 12755 | 1 |
| *13 | GASKET-intake manifold | 12646 | 1 | 52 | FITTING-tube | 68333 | 1 |
| 14 | MODULE & CORE | 12669 | 1 | *53 | SEAL-main | 12306 | 1 |
| 15 | TIE-cable (module leads) | 12298 | 1 | 54 | CONNECTOR-elbow 90° | 31724 | 1 |
| 16 | SCREW-hex Sems, 8-32 x 1-1/4 | 82184 | 2 | 55 | FITTING-straight | 68393 | 1 |
| *17 | PISTON & PIN | A-12811 | 1 | *56 | LINE-flexible | 12683-A | 1 |
| *18 | Includes: PISTON RING | 12668 | 2 | *57 | SHIELD-heat | 12777 | 2 |
| *19 | ROD-connecting | A-70039 | 1 | 58 | SCREW-pan hd., 8-32 x 3/8 | 82253 | 2 |
| 20 | Includes: SCREW-sec. hd., 10-32 x 5/8 | 60845 | 2 | *59 | WASHER-thrust | 12888 | 2 |
| 21 | KEY-woodruff | 75079 | 1 | *60 | RACE-inner (650) | 12862 | 1 |
| *22 | CRANKSHAFT | 70023 | 1 | 61 | BEARING-needle (unit cage) 650 | 64124 | 1 |
| *23 | ROLLERS-needle (set of 12) | A-70062 | 1 | 62 | SPROCKET-rim (8 tooth, .404 pitch) 650 | 63285 | 1 |
| *24 | PLATE-back | A-12726 | 1 | 63 | HUB & DRUM-? spline (650) | A-68727 | 1 |
| 25 | Includes: BEARING-roller | 63186 | 1 | *64 | RACE-inner (650E) | 12666 | 1 |
| 26 | SEAL | 12282-A | 1 | 65 | BEARING-needle (unit cage) 650E | 65393 | 1 |
| 27 | "O" RING | 67559 | 1 | 66 | SPROCKET-rim (8 tooth, .404 pitch) 650E | 66960 | 1 |
| *28 | RETAINER-lead | 12889 | 1 | 68 | HUB & DRUM-8 spline (650E) | A-66961 | 1 |
| *29 | CLIP-wire (switch lead retainer) | 12896 | 1 | * | †SPROCKET & DRUM-spur (ST, 3/8 pitch) A-12819 | | 1 |
| 30 | SCREW-hex Sems, 10-24 x 3/4 | 89022 | 1 | *54 | WASHER-thrust | 12907 | 1 |
| *31 | ROTOR-magneto | 12640 | 1 | *55 | WASHER-thrust | 12867 | 1 |
| 32 | WASHER-lock | 89086 | 2 | 56 | SPRING-ajutab | 67441 | 2 |
| 33 | SPRING-starter pawl | 65275 | 2 | *57 | SHOE-clutch | 68817-1 | 6 |
| 34 | PAWL-starter | 68788 | 2 | *58 | SPIDER-clutch | 65723-3 | 1 |
| 35 | STUD-starter pawl | 63877-B | 2 | *59 | COVER-ajutab | A-24921 | 1 |
| *36 | NUT-hex flange | 81236 | 1 | *70 | Includes: WASHER-Bellville | 12940 | 2 |
| 37 | SCREW-hex Sems, 10-24 x 5/8 | 88020 | 6 | 71 | SCREW-hex hd., 10-24 x 1/2 | 80361-1 | 2 |
| 38 | SCREW-hex Sems, 8-32 x 3/8 | 88026 | 1 | *72 | RETAINER-nut | 12889 | 6 |
| | | | | 73 | NUT-hex, 10-24 | 61208 | 4 |

* Denotes new parts † Denotes accessory

650 - 650E automatic saws



A-12717 WB-2

| No. | Description | Part No. | Qty. |
|-----|---------------------------|----------|------|
| 1 | SCREW-pump cover | 64894 | 4 |
| * 2 | COVER-fuel pump | 12829 | 1 |
| * 3 | GASKET-pump | ‡12836 | 1 |
| * 4 | DIAPHRAGM-pump | †12839 | 1 |
| 5 | SCREEN-inlet | 64243 | 1 |
| 6 | SCREW | 64589 | 6 |
| * 7 | VALVE-choke | 12833 | 1 |
| * 8 | BALL-choke friction | †12834 | 1 |
| * 9 | SPRING-choke friction | †12841 | 1 |
| *10 | SHAFT-choke | 12832 | 1 |
| 11 | SCREW-clip | †64893 | 1 |
| *12 | CLIP-throttle shaft | †12860 | 1 |
| *13 | SPRING-throttle return | †12842 | 1 |
| *14 | SHAFT-throttle | 12830 | 1 |
| *15 | NEEDLE-adjustment | †12848 | 2 |
| 16 | SPRING-needle adjustment | †64236 | 2 |
| *17 | VALVE-throttle | 12831 | 1 |
| *18 | GASKET-circuit | ‡12835 | 1 |
| *19 | PLATE-circuit | 12846 | 1 |
| *20 | SCREW-circuit plate | 70062 | 2 |
| 21 | RING-screen retaining | 67860 | 1 |
| 22 | SCREEN-check valve | 67861 | 1 |
| *23 | SPRING-metering lever | †70081 | 1 |
| 24 | LEVER-metering | 64245 | 1 |
| 25 | VALVE-inlet needle | †64229 | 1 |
| 26 | PIN-metering lever | †64244 | 1 |
| 27 | SCREW-metering lever pin | †64988 | 1 |
| 28 | GASKET-metering diaphragm | †64231 | 1 |
| 29 | DIAPHRAGM-metering | †64235 | 1 |
| 30 | COVER-metering diaphragm | 64234 | 1 |
| *31 | GASKET-set | †12837 | 1 |
| *32 | REPAIR KIT | 12846-A | 1 |

* Denotes new parts

† Indicates contents of Repair Kit 12846-A

‡ Indicates contents of Gasket Set 12837

650 - 650E automatic saws

| Part No. | Description | Qty. | Part No. | Description | Qty. | Part No. | Description | Qty. | Part No. | Description | Qty. |
|------------|------------------|------|------------|-------------------|------|-----------|-------------------|------|-----------------|-------------------|------|
| 12071 | Gear-worm | 1 | *12130-1A | Muffler | 1 | 22486 | Gauge-feeler | 3 | *A-68063-A | Lane-fuel | 1 |
| *12076 | Bracket-oil pump | 1 | *A-12742-A | Filter Element | 1 | 22772 | Paint-black | 1 | 68061-A | Plunger-oil pump | 1 |
| 12086 | "O" Ring | 1 | *A-12746 | Screw-guide bar | 1 | 22828 | Pliers-retaining | 2 | 68383 | Fitting-straight | 1 |
| *12108 | Pin-dam guide | 1 | *12756 | Bumper | 1 | 23128-8 | Sleeve-seal | 1 | 68661 | Wrench-socket | 1 |
| 12110 | Bushing | 1 | *12773 | Brace-cylinder | 1 | 23475 | Paint-red | 1 | *68713-8 | Spark Plug | 1 |
| *A-12112-1 | Nut-filter cover | 1 | *12777 | Shield-heat | 1 | A-23636-A | Wrench-spanner | 1 | A-68727 | Hub & Drum | 1 |
| 12126 | Gasket-oil cap | 1 | *12769 | Screw-idle | 1 | 23769 | Sleeve-seal assy. | 1 | 69027-B | Spark Plug-"J" | 1 |
| 12134 | Cover-gear | 1 | *12784 | Spring-idle | 1 | 23848-1 | Anvil-bearing | 1 | *69071 | Ring-retainer | 1 |
| 12140 | Nut-push-op | 1 | 12788 | Contact-trans. | 2 | 23848-2 | Anvil-bearing | 1 | 69276 | Plate-bumper | 2 |
| 13191 | Grommet | 2 | *12789 | Washer-retaining | 1 | A-23937-B | Wrench | 1 | 69451 | Valve-check | 2 |
| A-12222 | Cap-oil filler | 1 | 12792-A | Plate-indicating | 1 | A-24284 | Wrench | 1 | 69464 | Filter-filler cap | 2 |
| 12232-A | Seal | 1 | *12794 | Deflector-air | 1 | *24282-A | Plug-seal | 1 | A-69600 | Cap-fuel filler | 1 |
| 12298 | Tie-cable | 1 | *12799-A | Boot-washing | 1 | *24287-A | Plug-bearing | 1 | 69701 | Gasket-fuel cap | 1 |
| *A-12299-A | Transformer | 1 | *A-12803-A | Snubber-rear | 1 | *A-24651 | Puller-rotor | 1 | 69702 | Chain-bead | 2 |
| *12306 | Seal-main | 1 | *A-12811 | Piston & Pin | 1 | A-24871 | Tool & Plunger | 1 | 69703 | Retainer | 2 |
| *12606-1 | Crankshaft | 1 | *A-12812 | Housing-rewind | 1 | *A-24876 | Collar & Plunger | 1 | *69817-1 | Shoe-clutch | 6 |
| *12806-2A | Shield-cylinder | 1 | *A-12813-A | Handle-throttle | 1 | *A-24884 | Reamer-valve | 1 | 69833 | Fitting-tube | 1 |
| *12810-2A | Brace-throttle | 1 | *A-12816-A | Cover-air filter | 1 | *A-24888 | Plate-bumper | 1 | *A-69952-A | Grip-starter rope | 1 |
| *A-12814-2 | Cover-starter | 1 | *A-12819 | Sprocket & Drum | 1 | *24910 | CD Test Lamp | 1 | *70016 | Insert-rope | 1 |
| *12816-2A | Cover-throttle | 1 | *12824-1 | Cap-muffler | 1 | *A-24921 | Cover-clutch | 1 | *70018 | Grip-throttle | 1 |
| *12616 | Trigger-throttle | 1 | *12825 | Arrestor-spark | 1 | *24966 | Plug-seal | 1 | *A-70022 | Rod-connecting | 1 |
| *12620 | Lever-choke | 1 | *12827 | Decal-650 | 2 | 81734 | Connector | 1 | *70023 | Crankshaft | 1 |
| *12621 | Cam | 1 | *12828 | Cover-fuel pump | 1 | 67084-1 | Reel-45 | 1 | *A-70052 | Roller-needle | 1 |
| *12622 | Manifold-intake | 1 | *12830 | Shaft-throttle | 1 | A-57710 | Switch-grounding | 1 | 70068 | Screw | 2 |
| *12623 | Connector | 1 | *12831 | Valve-throttle | 1 | 68334 | Stud-guide bar | 2 | *A-70070 | Tank-fuel & oil | 1 |
| 12628 | Screen-starter | 1 | *12832 | Shaft-choke | 1 | 68406 | "O" Ring | 1 | *A-70079 | Lane-manual oil | 1 |
| *12629-A | Receptacle | 1 | *12833 | Valve-choke | 1 | 68756 | Paul-starter | 2 | *70061 | Spring-metering | 1 |
| *12631 | Washer-conical | 4 | *12834 | Ball-choke | 1 | 68806 | Rope-starter | 1 | *70082 | Screw-circuit | 2 |
| *12634 | Spring-rewind | 1 | *12835 | Gasket-circuit | 1 | 58074 | "O" Ring | 1 | *70084 | Lane-oil | 1 |
| *12635 | Shield-rewind | 1 | *12836 | Gasket-pump | 1 | A-39261 | Pick-Up-fuel | 1 | *A-70158 | Guard-chain | 1 |
| *12636 | Shield-rewind | 1 | *12837 | Gasket-set | 1 | 59266-1 | Filter-foit | 1 | *A-70160 | Cover-drivecase | 1 |
| *12637 | Ring-retaining | 1 | *12839 | Diaphragm | 1 | 63193 | Bearing-roller | 2 | *70165 | Washer-rolled | 1 |
| *12639 | Bushing-starter | 2 | *12841 | Spring-choke | 1 | 63286 | Sprocket-rim | 1 | *A-70188 | Pulley-starter | 1 |
| *12640 | Rotor-magneto | 1 | *12842 | Spring-throttle | 1 | 63603 | Sprocket-rim | 1 | 71430 | Pin-dowel | 1 |
| *12642-A | Rod-throttle | 1 | *12843 | Needle | 2 | 63677-B | Stud-starter | 2 | 72084-A1 | Nut-hex | 1 |
| *12643 | Rod-choke | 1 | *12846 | Plate-circuit | 1 | 64124 | Bearing-needle | 1 | 75078 | Key-woodruff | 1 |
| *12644-1 | Arm-compression | 1 | *12846-A | Repair Kit | 1 | 64224 | Cover-metering | 1 | 78120 | Ring-retaining | 1 |
| *12646 | Gasket-intake | 1 | *12853 | "O" Ring | 2 | 64228 | Valve-inlet | 1 | FASTENING PARTS | | |
| *12656 | Spring-tension | 1 | *12854 | "O" Ring | 1 | 64231 | Gasket-metering | 1 | *12860 | Nut-3/8-16 | 2 |
| *12659 | Piston Ring | 2 | *12858 | Spring-garter | 1 | 64235 | Diaphragm | 1 | *12864 | 10-32 x 3/8 | 1 |
| *12661 | Elbow-oil line | 1 | *12859 | Retainer-lead | 1 | 64236 | Spring-needle | 2 | 80345 | 10-32 x 3/8 | 2 |
| *12666 | Race-inner | 1 | *12861 | Screw-shoulder | 1 | 64243 | Screen-inlet | 1 | 80361-1 | 10-32 x 1/2 | 2 |
| *12667 | Washer-thrust | 1 | *12863 | Bumper-fuel tank | 1 | 64244 | Pin-metering | 1 | 80648 | 6-32 x 3/8 | 2 |
| *12668 | Washer-thrust | 2 | *12867 | Spring-conical | 1 | 64245 | Lever-metering | 1 | 81009 | Nut-8-32 | 2 |
| 12669 | Module & Core | 1 | *12880 | Clip-throttle | 1 | 64688 | Screw-metering | 1 | 81208 | Nut-10-24 | 15 |
| *12672 | Retainer-nut | 2 | *12882 | Race-inner | 1 | 64689 | Screw | 6 | 81223 | Nut-8-32 | 2 |
| *12680 | Pin-pivot | 1 | *12883 | Shield-carburetor | 1 | 64693 | Screw-clip | 1 | *81236 | Nut | 1 |
| *12681 | Spring-tension | 1 | *12691 | Grommet | 1 | 64694 | Screw-pump | 4 | 82194 | 6-32 x 1-1/4 | 2 |
| *12682 | Pin-pivot | 1 | *12693 | Intake-air | 1 | A-65077 | Valve-check | 1 | 82215 | Screw | 2 |
| *12683 | Ring-retaining | 1 | *12894 | Deflector-air | 1 | 65082 | Nut | 1 | 92216 | 10-24 x 1/2 | 1 |
| *12689 | Retainer-nut | 4 | *12896 | Clip-wire | 1 | 65084 | Button | 1 | *82246 | 10-24 x 1 | 4 |
| *12693-A | Lide-flexible | 2 | *A-12898 | Handle Bar | 1 | A-65172 | Finder-oil | 2 | 82261 | 6-32 x 3/8 | 2 |
| *A-12704 | Tube-air intake | 1 | *12903 | Nut-push on | 2 | 65376 | Spring-starter | 2 | *82253 | 6-32 x 3/8 | 4 |
| *A-12708-B | Isolator | 4 | *12907 | Washer-thrust | 1 | 65399 | Bearing-needle | 1 | *82254 | 6-32 x 1/2 | 2 |
| *12712 | Valve | 1 | *A-12936 | Spacer | 1 | *65723-8 | Spider-clutch | 1 | 82266 | 8 x 1/4 | 2 |
| *A-12714 | Handle Bar | 1 | *12940 | Washer | 8 | 65860 | Sprocket-rim | 1 | *82267 | 10-24 x 7/8 | 7 |
| *A-12716 | Adjuster-bar | 1 | *12957 | Lock-rewind | 1 | A-65891 | Hub & Drum | 1 | *82283 | 10-24 x 3/4 | 4 |
| *A-12717 | Carburetor | 1 | *12963-2 | Shield-muffler | 1 | 67160-A | Plate-guide bar | 1 | 68056 | Washer-lock | 2 |
| *A-12718 | Lead-ground | 1 | *12976 | Spacer-heat | 1 | *67161-A | Plate-guide bar | 1 | 68010 | 10-24 x 5/8 | 10 |
| *A-12719 | Lead-module | 1 | *12983 | Pin-trigger | 1 | 67177 | Bushing-starter | 1 | 69022 | 10-24 x 3/4 | 2 |
| *A-12721-A | Crankcase | 1 | *12984 | Washer | 2 | 67390 | Ring-screen | 1 | 88024 | 10-24 x 1/2 | 11 |
| *A-12723 | Pump-automatic | 1 | *A-12987 | Valve-check | 1 | 67381 | Screen-check | 1 | 88028 | 6-32 x 3/8 | 7 |
| *A-12725 | Backplate | 1 | *12991 | Spacer-heat | 1 | 67441 | Spring-clutch | 2 | *88028 | 10-24 x 2 | 2 |
| *A-12726-A | Cylinder | 1 | 22126 | Key-hex socket | 1 | 67659 | "O" Ring | 1 | *88029 | 6-32 x 5/8 | 4 |

* Denotes new parts



PORT CHESTER, NEW YORK, U.S.A. 10673

E2573RY