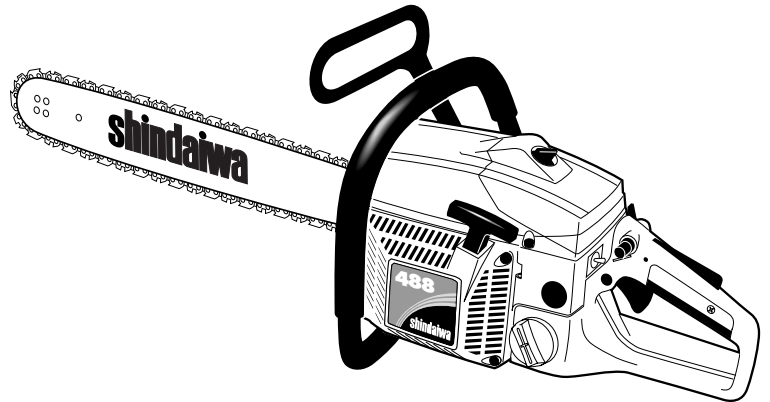


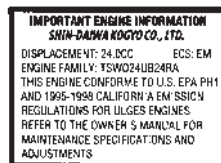
Shindaiwa Illustrated Parts List

488 CHAINSAW



| | |
|---|--------|
| CYLINDER/MUFFLER, CILINDRO/SILENCIADOR, CYLINDRE/SILENCIEUX | 1 |
| CRANKCASE, CARTER, CARTER DE MANIVELLE | 2 |
| PISTON /CRANKSHAFT, PISTON/CIGUEÑAL, PISTON/VILEBREQUIN | 3 |
| FLYWHEEL, VOLANTE, ROTOR | 4 |
| HANDLE, MANGO, POIGNÉE | 5 |
| CLUTCH SHOE, EMBRAGUE, EMBRAYAGE | 6 |
| BRAKE LEVER, BANDA DE FRENO, BANDE DE FREIN | 7 |
| RECOIL STARTER, ARRANCADOR, DÉMARREUR | 8 |
| CARBURETOR (EPA/CARB), CARBURADOR, CARBURATEUR | 9 & 10 |
| CARBURETOR (Non EPA), CARBURADOR, CARBURATEUR | 11 |

Identify the unit's compliance standard with these labels.



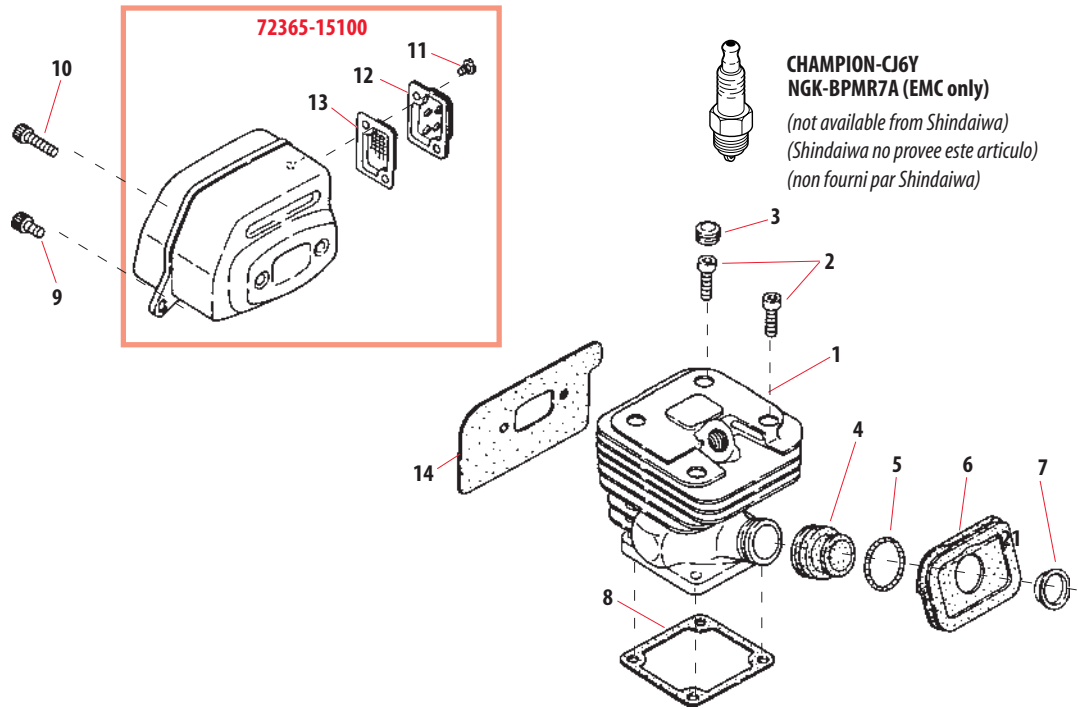
Federal EPA Phase 1 and California Air Resources Board (CARB) Tier 1 emissions limits are in effect in all USA States and territories.



Electromagnetic Compatibility Standards (EMC) requirement per the Australian Radiocommunications Act. EMC requirement is for Australia only.

shindaiwa®

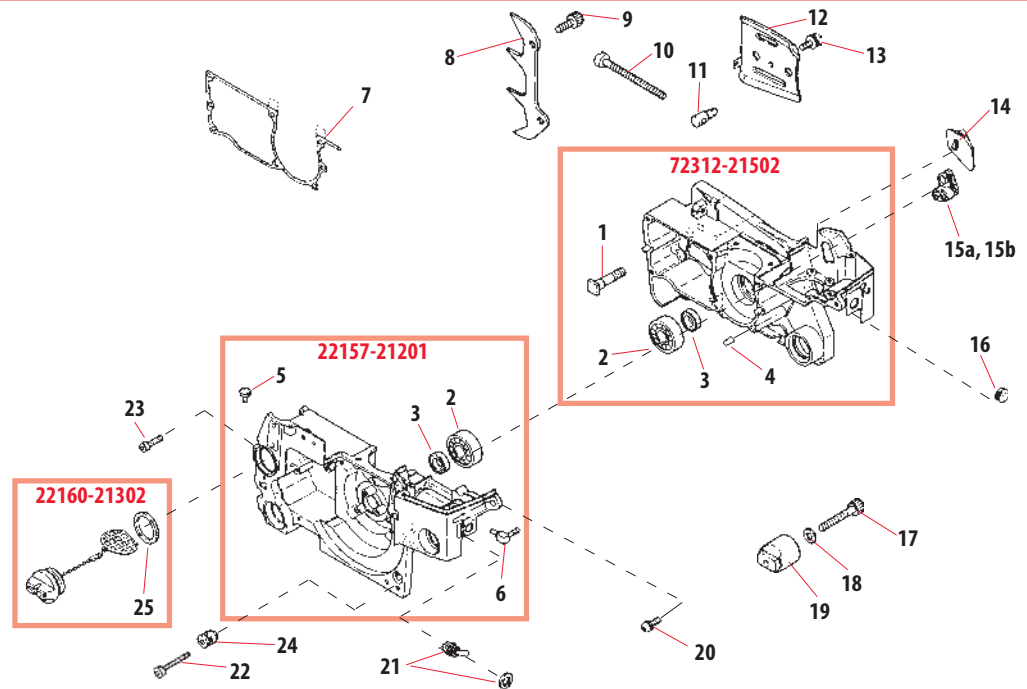
CYLINDER/MUFFLER
CILINDRO/SILENCIADOR
CYLINDRE/SILENCIEUX



Rev. 2/99

| Index No. Indice | Part Number Pieza No. Numero | Part Name | Descripción | Nom de la pièce | Qty. Qty. Cant. |
|---------------------|------------------------------------|----------------------|------------------------------|---------------------------|-----------------------|
| 1 | 22157-12110 | CYLINDER | CILINDRO | CYLINDRE | 1 |
| 2 | 22157-12130 | BOLT | PERNO | BOULON | 4 |
| 3 | 22160-22220 | PLUG | TAPON | BOUCHON | 1 |
| 4 | 22160-12150 | BOOT | ACOPLADOR FLEXIBLE | COUDE | 1 |
| 5 | 22160-12160 | SPRING | RESORTE | RESSORT | 1 |
| 6 | 22160-12170 | SEAL | RETENEDOR | BAGUE D'ÉTANCHÉITÉ | 1 |
| 7 | 22115-14140 | SLEEVE | INSERTO METALICO | BAGUE MÉTALLIQUE | 1 |
| 8 | 22160-12120 | GASKET, CYLINDER | EMPAQUE, CILINDRO | JOINT, CYLINDRE | 1 |
| 9 | 22157-15330 | BOLT | PERNO | BOULON | 2 |
| 10 | 22157-12130 | BOLT | PERNO | BOULON | 2 |
| | 72365-15100 | MUFFLER ASSY. | SILENCIADOR, COMPLETO | SILENCIEUX COMPLÉT | 1 |
| 11 | 11204-04080 | SCREW | TORNILLO | VIS | 2 |
| 12 | 72365-15210 | EXHAUST TAIL PLATE | PLACA DE ESCAPE | PLAQUE DE SILENCIEUX | 1 |
| 13 | 72311-15190 | SCREEN | GUARDACHISPAS | PARE-ÉTINCELLES | 1 |
| 14 | 22160-15310 | GASKET, MUFFLER | EMPAQUE SILENCIADOR | JOINT, SILENCIEUX | 1 |

CRANKCASE
CARTER
CARTER DE MANIVELLE



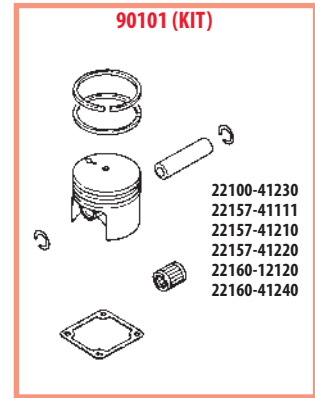
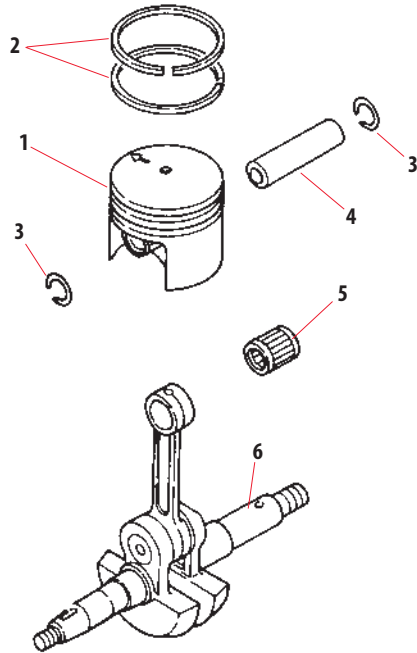
Rev. 2/99

| Index No. Indice | Part Number Pieza No. Numero | Part Name | Descripción | Nom de la pièce | Qty. Qty. Cant. |
|---------------------|------------------------------------|--------------------------|-------------------------------------|--------------------------------|-----------------------|
| | 72312-21502 | CRANKCASE ASSY. C | CARTER, PIEZA C | CARTER C DE MANIVELLE | 1 |
| 1 | 72312-21520 | BAR BOLT | PERNO, BARRA | BOULON, BARRE | 2 |
| 2 | 12900-62010 | BEARING | COJINETE | ROULEMENT À BILLES | 1 |
| 3 | 22150-21250 | OIL SEAL | RETENEDOR | JOINT D'ÉTANCHÉITÉ | 1 |
| 4 | 20000-21140 | DOWEL PIN | PASADOR, GUIA | GOUILLE, AIGUILLE | 3 |
| | 22157-21201 | CRANKCASE ASSY. M | CARTER, PIEZA M | CARTER M DE MANIVELLE | 1 |
| 2 | 12900-62010 | BEARING | COJINETE | ROULEMENT À BILLES | 1 |
| 3 | 22150-21250 | OIL SEAL | RETENEDOR | JOINT D'ÉTANCHÉITÉ | 1 |
| 5 | 22115-57120 | VALVE, OIL TANK | VALVULA, TANQUE DE ACEITE | VALVE RÉSERVOIR À HUILE | 1 |
| 6 | 22150-21220 | PULSE JOINT | CONECTOT, TUBO DE PULSOS | TUYAU DE PULSION | 1 |
| 7 | 22160-21720 | GASKET, CASE | EMPAQUE CARTER | JOINT, CARTER DE MANIVELLE | 1 |
| 8 | 22160-52530 | SPIKE | GARRAS METALICAS | BUTOIR | 1 |
| 9 | 22157-15330 | BOLT | PERNO | BOULON | 2 |
| 10 | 22160-53310 | ADJUSTING SCREW | TORNILLO TENSIONADOR | VIS DE RÉGLAGE | 1 |
| 11 | 22150-52440 | ADJUSTING STUD | TUERCA DE AJUSTE | ÉCROU DE RÉGLAGE | 1 |
| 12 | 22160-97630 | GUIDE PLATE C | PLACA C, GUIA | PLAQUE C, GUIDE | 1 |
| 13 | 22173-56150 | SCREW | TORNILLO | VIS | 1 |
| 14 | 22160-22250 | STOPPER | RETENEDOR | PLAQUE RETENANTE | 1 |
| 15a | 22160-82150 | GROMMET (non EPA) | ADAPTOR FLEXIBLE | PASSE-CÂBLE | 1 |
| 15b | 72365-82150 | GROMMET (EPA) | ADAPTOR FLEXIBLE | PASSE-CÂBLE | 1 |
| 16 | 22160-22220 | PLUG SWITCH | TAPON, INTERRUPTOR | COMMUTATEUR | 1 |
| 17 | 22155-12190 | BOLT | PERNO | BOULON | 1 |
| 18 | 01611-05100 | WASHER | ARANDELA | RONDELLE | 1 |
| 19 | 22160-52510 | CHAIN CATCHER | CAPTURADOR, CADENA | CAPTEUR DE CHAÎNE | 1 |
| 20 | 22157-21760 | SCREW | TORNILLO | VIS | 1 |
| 21 | 22160-22100 | SWITCH ASSY | INTERRUPTOR, COMPLETO | COMMUTATEUR, COMPLET | 1 |
| 22 | 22157-21750 | BOLT | PERNO | BOULON | 4 |
| 23 | 22157-12130 | BOLT | PERNO | BOULON | 2 |
| 24 | 22160-33730 | SUPPORTER | ARMORTIGADOR | COUSSIN | 1 |
| | 22160-21302 | OIL CAP ASSY. | TAPA, TANQUE DE ACEITE COMP. | BOUCHON D'HUILE COMPLET | 1 |
| 25 | 22160-21351 | GASKET | EMPAQUE | JOINT | 1 |

shindaiwa

© Shindaiwa Inc.

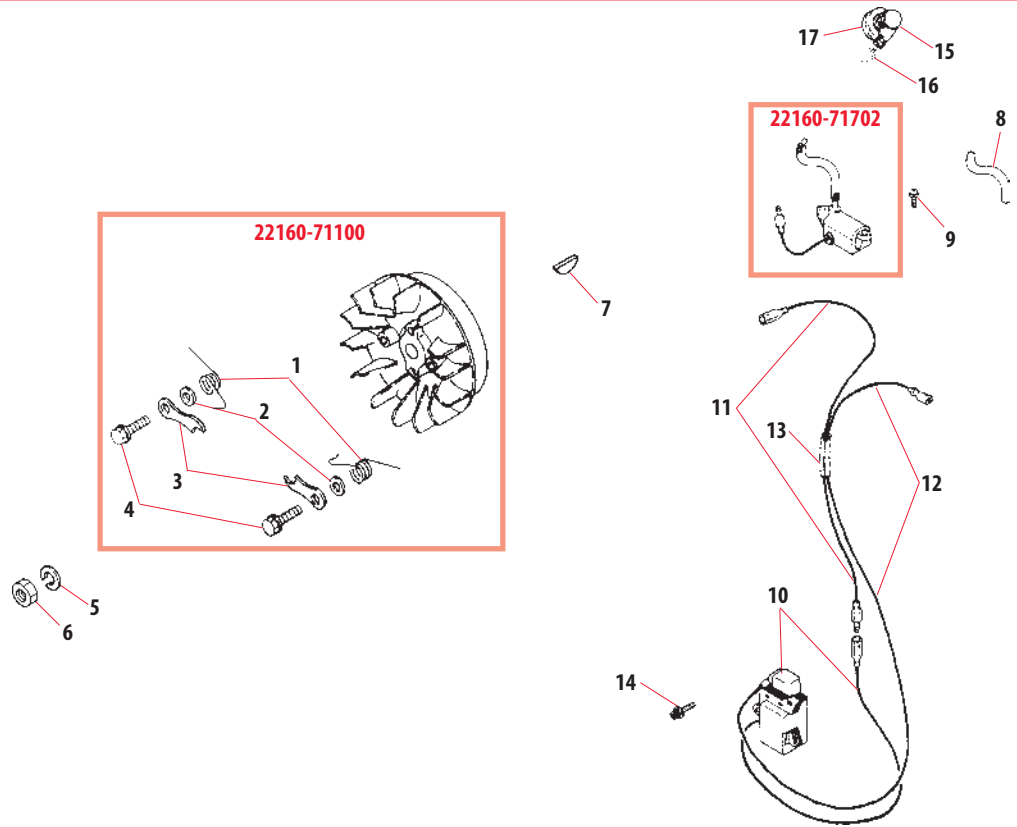
PISTON/CRANKSHAFT
 PISTON/CIGUEÑAL
 PISTON/VILEBREQUIN



Rev. 2/99

| Index No. Indice | Part Number Pieza No. Numero | Part Name | Descripción | Nom de la pièce | Qty. Qty. Cant. |
|---------------------|------------------------------------|---------------------|--------------------------|------------------------|-----------------------|
| | 90101 (KIT) | PISTON ASSY. | PISTON, COMPLETO | PISTON, COMPLET | 1 |
| 1 | 22157-41111 | PISTON | PISTON | PISTON | 1 |
| 2 | 22157-41210 | RING SET, PISTON | JUEGO DE ANILLOS, PISTON | JEU DE SEGMENT, PISTON | 1 |
| 3 | 22100-41230 | SNAP RING | ANILLO RETENEDOR | ANNEAU D'ARRÊT | 2 |
| 4 | 22157-41220 | PISTON PIN | PASADOR, PISTON | AXE DE PISTON | 1 |
| 5 | 22160-41240 | BEARING | COJINETE DE RODILLOS | ROULEMENT À AIGUILLES | 1 |
| See page 1, #8 | 22160-12120 | GASKET, CYLINDER | EMPAQUE, CILINDRO | JOINT, CYLINDRE | 1 |
| 6 | 22160-42001 | CRANKSHAFT ASSY | CIGUEÑAL COMPLETO | VILBREQUIN COMPLET | 1 |

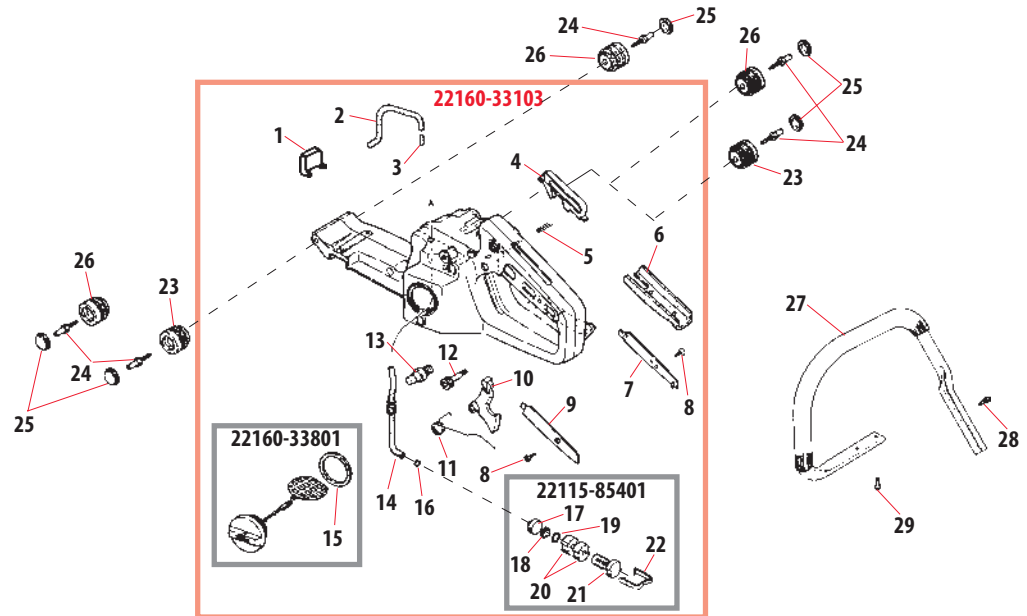
FLYWHEEL/COIL
VOLANTE/BOBINA
ROTOR/BOBINE D'ALLUMAGE



Rev. 2/99

| Index No. Indice | Part Number Pieza No. Numero | Part Name | Descripción | Nom de la pièce | Qty. Qty. Cant. |
|---------------------|------------------------------------|-----------------------|------------------------------------|--------------------------|-----------------------|
| | 22160-71100 | FLYWHEEL ASSY. | VOLANTE COMP. | ROTOR COMP. | 1 |
| 1 | 22100-71420 | SPRING RACHET | RESORTE TRINQUETE | RESSORT ROCHET | 2 |
| 2 | 22100-71430 | WASHER | ARANDELA | RONDELLE | 2 |
| 3 | 22100-71410 | RACHET | TRINQUETE | ROCHET | 2 |
| 4 | 22140-71440 | BOLT | PERNO | BOULON | 2 |
| 5 | 01600-08201 | SPRING WASHER | ARANDELA MUELLE | RONDELLE À RESSORT | 1 |
| 6 | 22100-43231 | NUT | TUERCA | ECROU | 1 |
| PR 148 | 22160-71702 | IGNITION COIL | BOBINA,SISTEMA DE ENCENDIDO | BOBINE D'ALLUMAGE | 1 |
| 7 | 02403-03100 | KEY | CUÑA WOODRUFF | CLAVETTE | 1 |
| 8 | 22160-72240 | TUBE | TUBO AISLADOR | TUYAU | 1 |
| 9 | 11205-04160 | SCREW | TORNILLO | VIS | 2 |
| 10 | 22160-71511 | EXCITER COIL | BOBINA EXCITADORA | BOBINE EXCITATRICE | 1 |
| 11 | 22160-71750 | WIRE | ALAMBRE | CÂBLE | 1 |
| 12 | 22160-71520 | WIRE | ALAMBRE | CÂBLE | 1 |
| 13 | 22160-71530 | TUBE | TUBO AISLADOR | TUYAU | 1 |
| 14 | 11024-04200 | BOLT | PERNO | BOULON | 2 |
| 15 | 22160-72220 | PLUG CAP | CAPUCHON, BUJIA | CAPUCHON DE BOUGIE | 1 |
| 16 | 22154-72230 | SPRING CLIP | CONECTOR, BUJIA | CONNECTEUR DE BOUGIE | 1 |
| 17 | 22160-72260 | SEAL | RETENEDOR | JOINT D'ÉTANCHÉITÉ | 1 |

HANDLE, FRONT/REAR
MANILLA, DELANTERO/TRASERO
POIGNÉE, AVANT/ARRIÈRE



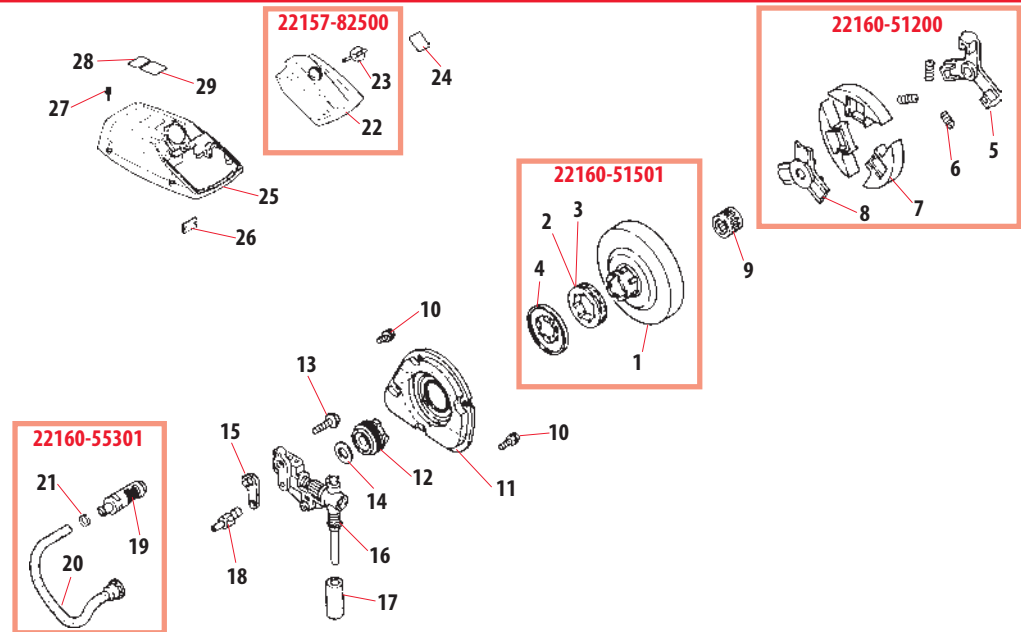
Rev. 2/99

| Index No. Indice | Part Number Pieza No. Numero | Part Name | Descripción | Nom de la pièce | Qty. Qty. Cant. |
|---------------------|------------------------------------|--------------------------|---------------------------------|----------------------------------|-----------------------|
| | 22160-33103 | REAR HANDLE ASSY. | MANGO TRASERO, COMP. | POIGNÉE ARRIÈRE COMPLÈTE | 1 |
| 1 | 22160-33590 | STOPPER R | TETENEDOR R | ANNEAU D'ARRÊT | 1 |
| 2 | 22160-33910 | BREATHER TUBE | TUBO, RESPIRADERO | TUYAU DE LA PRISE D'AIR | 1 |
| 3 | 22157-33950 | BREATHER ELEMENT | RESPIRADERO | CORPS DE LA PRISE D'AIR | 1 |
| 4 | 22160-33360 | LOCK LEVER | GATILLO DE SEGURIDAD | LEVIER DE BLOCAGE | 1 |
| 5 | 12420-40255 | SPRING PIN | PASADOR TEMPLADO | GOUPILLE DE RESSORT | 1 |
| 6 | 22160-33310 | GRIP | FORRO, EMPUÑADURA | FOURREAU DE POIGNÉE | 1 |
| 7 | 22160-33320 | SIDE PLATE R | PLACA LATERAL R | PLAQUE LATÉRALE R | 1 |
| 8 | 11202-40120 | SCREW | TORNILLO | VIS | 2 |
| 9 | 22160-33330 | SIDE PLATE L | PLACA LATERAL L | PLAQUE LATÉRALE L | 1 |
| 10 | 22160-33351 | THROTTLE LEVER | GATILLO, ACELERADOR | LEVIER D'ACCÉLÉRATEUR | 1 |
| 11 | 22160-33370 | SPRING, LEVER | RESORTE PALANCA | RESSORT DE LEVIER | 1 |
| 12 | 22160-33380 | BOLT LEVER | PERNO, PALANCA | BOULON DE LEVIER | 1 |
| 13 | 22160-33401 | STOPPER ASSY | RETENEDOR | ANNEAU D'ARRÊT | 1 |
| 14 | 22160-34110 | FUEL TUBE | TUBO COMBUSTIBLE | TUYAU À ESSENCE | 1 |
| | 22160-33801 | FUEL CAP ASSY. | TAPA COMBUSTIBLE, COMP. | BOUCHON RÉSERVOIR ESSENCE | 1 |
| 15 | 22160-33821 | GASKET | EMPAQUE | JOINT | 1 |
| 16 | 20020-85540 | CLIP | ABRAZADERA | ATTACHE | 1 |
| | 22115-85401 | FUEL FILTER ASSY. | FILTRO COMBUSTIBLE COMP. | FILTRE À ESSENCE COMP. | 1 |
| 17 | 22128-85410 | WEIGHT, FUEL | PESA, FILTRO | PESÉE DE FILTRE | 1 |
| 18 | 22118-85460 | SCREEN | MALLA FILTRADORA | MECHE, FILTRE | 2 |
| 19 | 22128-85480 | RING | RETENEDOR ANULAR | ANNEAU DE RETENTION | 1 |
| 20 | 22128-85421 | FILTER | FILTRO | FILTRE | 2 |
| 21 | 22128-85470 | SLEEVE | CARCAZA INTERNA, FILTRO | MANCHON INTERNE | 1 |
| 22 | 22128-85440 | CLIP, FILTER | RETENEDOR, FILTRO | ATTACHE, FILTRE | 1 |
| 23 | 22160-97810 | CUSHION | AMORTIGUADOR | COUSSIN | 2 |
| 24 | 22160-33770 | STOPPER BOLT | PERNO RETENEDOR | ANNEAU D'ARRÊT | 5 |
| 25 | 22160-33720 | DUST CAP | TAPILLA PROTECTORA | CAPUCHON DE PROTECTION | 5 |
| 26 | 22160-33710 | CUSHION | AMORTIGUADOR | COUSSIN | 3 |
| 27 | 22160-32110 | FRONT HANDLE | MANGO DELANTERO | POIGNÉE AVANT | 1 |
| 28 | 22160-32220 | SCREW | TORNILLO | VIS | 2 |
| 29 | 22160-32210 | SCREW | TORNILLO | VIS | 2 |

shindaiwa

© Shindaiwa Inc.

CLUTCH/OIL PUMP
EMBRAGUE/BOMBA DE ACEITE
EMBRAYAGE/POMPE À HUILE



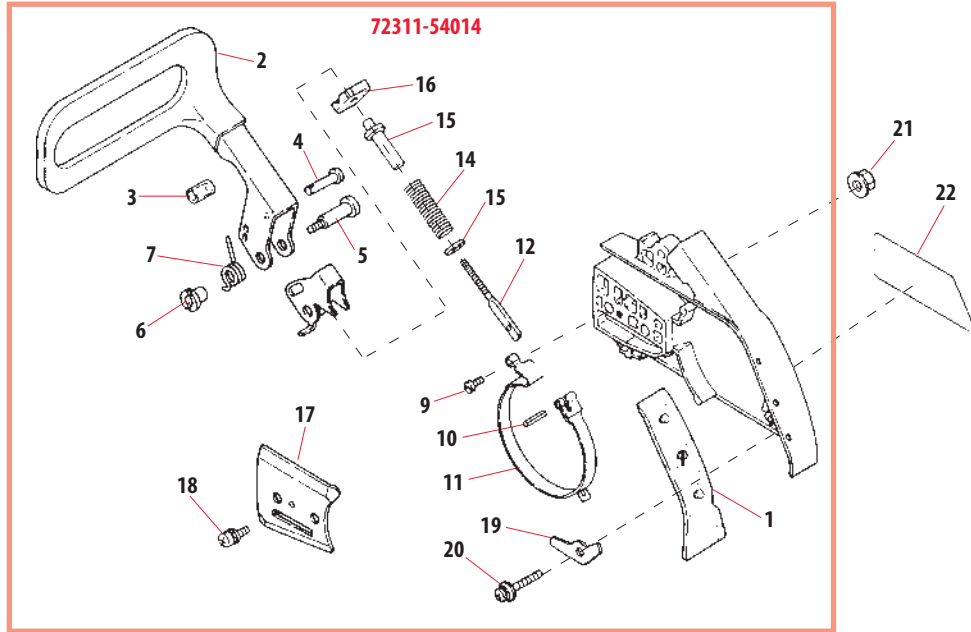
Rev. 2/99

| Index No. Indice | Part Number Pieza No. Numero | Part Name | Descripción | Nom de la pièce | Qty. Qty. Cant. |
|---------------------|------------------------------------|-------------------------------|------------------------------------|--------------------------------|-----------------------|
| | 22160-51501 | CLUTCH DRUM ASSY. | TAMBOR DEL EMBRAGUE | COUVERCLE D'EMBRAYAGE | 1 |
| 1 | 22160-51511 | CLUTCH DRUM | TAMBOR, EMBRAGUE | TAMBOUR D'EMBRAYAGE | 1 |
| 2 | 22131-98120 | RIM .325" (7T) | PIÑÓN .325 (7T) | PINION .325 (7T) | 1 |
| 3 | 22131-98310 | RIM 3/8" (7T) | PIÑÓN 3/8 (7T) | PINION 3/8 (7T) | 1 |
| 4 | 22160-51530 | COVER | RETENEDOR PIÑÓN | COUVERCLE DE PINION | 1 |
| | 22160-51200 | CLUTCH SHOE ASSY. | ZAPATA DEL EMBRAGUE COMP. | SABOT D'EMBRAYAGE COMP. | 1 |
| 5 | 22160-51240 | CLUTCH BOSS B | SALIENTE B EMBRAGUE | MOYEU D'EMBRAYAGE B | 1 |
| 6 | 22160-51230 | CLUTCH SPRING | RESORTE EMBRAGUE | RESSORT D'EMBRAYAGE | 3 |
| 7 | 22160-51220 | CLUTCH SHOE | ZAPATA DEL EMBRAGUE | SABOT D'EMBRAYAGE | 3 |
| 8 | 22160-51210 | CLUTCH BOSS A | SALIENTE A EMBRAGUE | MOYEU D'EMBRAYAGE | 1 |
| 9 | 22100-51310 | NEEDLE BEARING | COJINETE DE ROLILLOS | ROULEMENT À AIGUILLES | 1 |
| 10 | 22160-56150 | SCREW | TORNILLO | VIS | 4 |
| PR144 | 72317-56100 | PUMP COVER ASSY. | CUBIERTA BOMBA DE ACEITE | COUVERCLE DE POMPE À HUILE | 1 |
| 12 | 22154-55110 | GEAR | ENGRANAJE | ENGRENAGE | 1 |
| 13 | 11205-04160 | SCREW | TORNILLO | VIS | 2 |
| 14 | 22154-55120 | THRUST PLATE | ARANDELA DE PRESION | RONDELLE DE PRESSION PRESSION | 1 |
| 15 | 22150-55411 | GASKET PUMP | BOMBA, EMPAQUE | JOINTS DE POMPE | 1 |
| 16 | 22160-55200 | OIL PUMP ASSY | BOMBA DE ACEITE COMPLETA | POMPE À HUILE COMPLÈTE | 1 |
| 17 | 22155-55430 | SLEEVE | PROTECTOR | MANCHON DE PROTECTION | 1 |
| 18 | 22160-55420 | CONNECTOR | CONNECTOR | CONNECTEUR | 1 |
| | 22160-55301 | OIL TUBE ASSY. | TUBERIA DEL MOTOR | TUBE À HUILE COMP. | 1 |
| 19 | 22169-57360 | OIL FILTER | FILTRO DE ACEITE | FILTRE À L'HUILE | 1 |
| 20 | 22160-55310 | OIL TUBE | TUBERIA DEL MOTOR | TUBE, HUILE | 1 |
| 21 | 22100-57370 | CLIP | SUJETADOR | ATTACHE | 1 |
| | 22157-82500 | AIR FILTER COVER ASSY. | COBIERTA DEL FILTRO DE AIRE | CAPOT DE FILTRE À AIR | 1 |
| 22 | 22157-82510 | CLEANER COVER | TAPA DEL FILTRO | COUVERCLE FILTRE À AIR | 1 |
| 23 | 22155-82520 | KNOB | ASIDERO | POIGNÉE | 1 |
| 24 | 72229-75180 | CAUTION LABEL | PLACA DE AVISO | DÉCALQUE D'AVERTISSEMENT | 1 |
| 25 | 22160-31110 | CYLINDER COVER | CILINDRO | CYLINDRE | 1 |
| 26 | 22160-31120 | PLUG | TAPON | BOUCHON | 1 |
| 27 | 22160-31150 | BOLT | PERNO | BOULON | 3 |
| 28 | 72311-31150 | CAUTION LABEL | PLACA DE AVISO | DÉCALQUE D'AVERTISSEMENT | 1 |
| 29 | 72164-33221 | CAUTION LABEL | PLACA DE AVISO | DÉCALQUE D'AVERTISSEMENT | 1 |

shindaiwa

© Shindaiwa Inc.

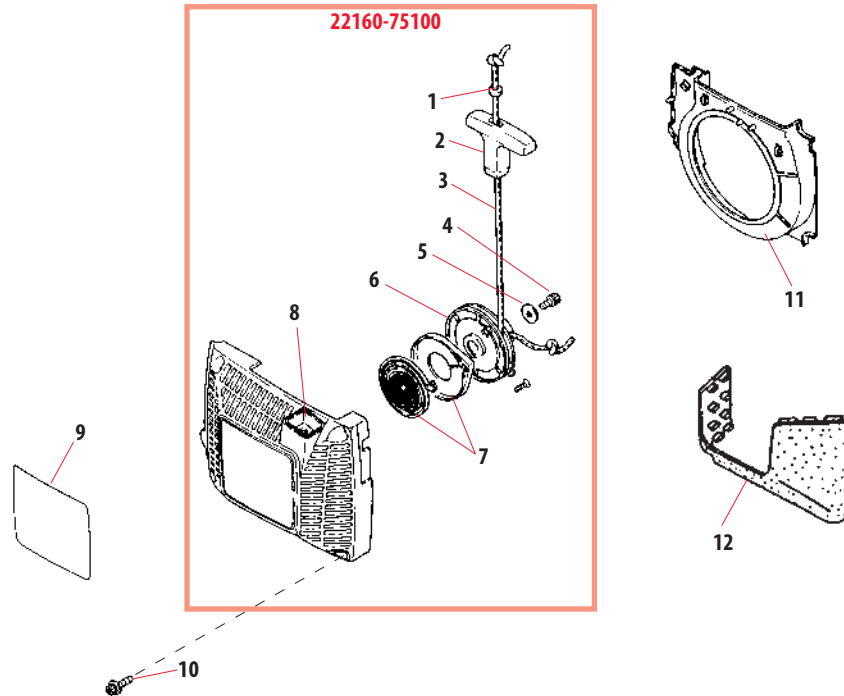
BRAKE LEVER
FRENO COMPLETO
FREIN COMPLET



Rev. 2/99

| Index No. Indice | Part Number Pieza No. Numero | Part Name | Descripción | Nom de la pièce | Qty. Qty. Cant. |
|---------------------|------------------------------------|--------------------------|-----------------------|-------------------------|-----------------------|
| | 72311-54014 | BRAKE LEVER ASSY. | FRENO COMPLETO | FREIN COMPLET | 1 |
| 1 | 22160-54160 | PROTECTOR | PROTECTOR | PROTECTEUR | 1 |
| 2 | 22160-54511 | LEVER | PALANCA | LEVIER | 1 |
| 3 | 72231-54620 | COLLAR | COLLAR | COLLET | 1 |
| 4 | 72231-54610 | STOPPER PIN | ANILLO RETENEDOR | ANNEAU D'ARRÊT | 1 |
| 5 | 72231-54580 | BOLT LEVER | PROTECTOR DEL PERNO | PROTECTEUR DE BOULON | 1 |
| 6 | 72231-54590 | NUT LEVER | TUERCA | ÉCROU | 1 |
| 7 | 22150-54630 | SPRING LEVER | RESORTE EJE | RESSORT LEVIER | 1 |
| 8 | 22150-54520 | INNER LEVER | PALANCA INTERNA | LEVIER, INTERNE | 1 |
| 9 | 22160-54220 | BOLT | PERNO | BOULON | 1 |
| 10 | 02427-40125 | SPRING PIN | PASADOR | GOUPILLE DE RESSORT | 1 |
| 11 | 22160-54211 | BRAKE BAND | BANDA DE FRENO | BANDE DE FREIN | 1 |
| 12 | 22160-54310 | ADJUST ROD | PERNO DE AJUSTE | TIGE D'AJUSTEMENT | 1 |
| 13 | 22160-54340 | WASHER | ARANDELA | RONDELLE | 1 |
| 14 | 22150-54330 | BREAK SPRING | RESORTE DEL FRENO | RESSORT DE FREIN | 1 |
| 15 | 22150-54320 | ADJUST SCREW | TORNILLO DE AJUSTE | VIS DE RÉGLAGE | 1 |
| 16 | 22150-54410 | BLOCK | RETENEDOR | BLOC | 2 |
| 17 | 22160-97640 | GUIDE PLATE D | PLACA GUIA | PLAQUE | 1 |
| 18 | 22160-56150 | SCREW | TORNILLO | VIS | 1 |
| 19 | 72311-54710 | BRACKET | ABRAZADERA | SUPPORT | 1 |
| 20 | 22160-56150 | SCREW | TORNILLO | VIS | 1 |
| 21 | 22154-52410 | BAR NUT | TUERCA | ÉCROU | 2 |
| 22 | 72311-54141 | LABEL | PLACA DE LA MARCA | PLAQUE D'IDENTIFICATION | 1 |

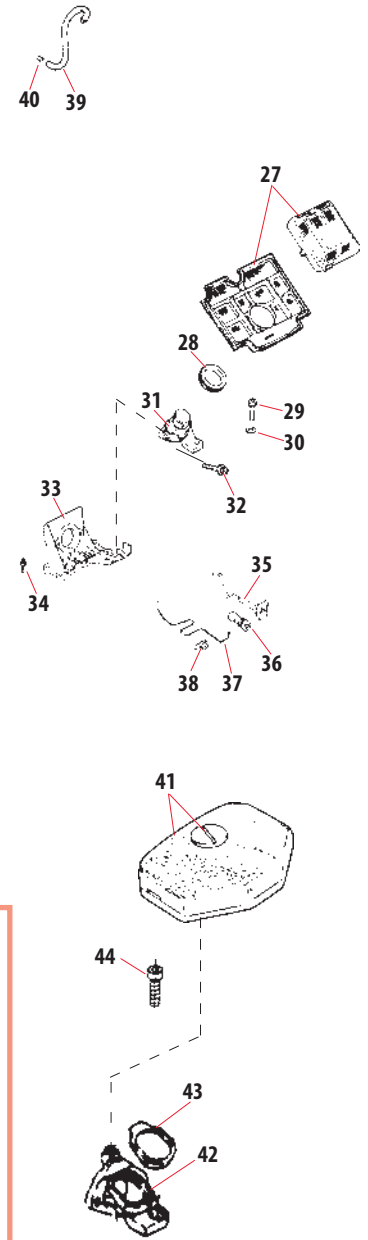
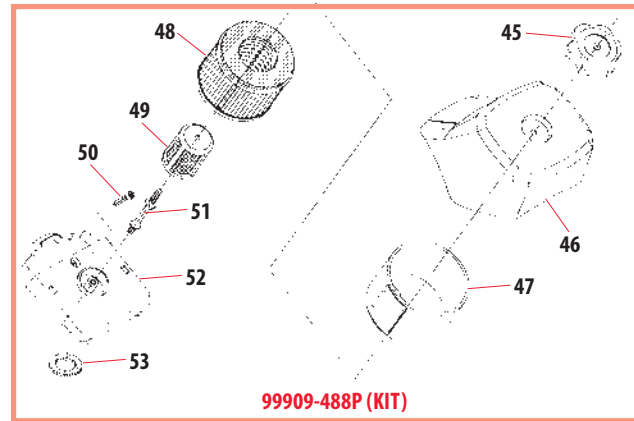
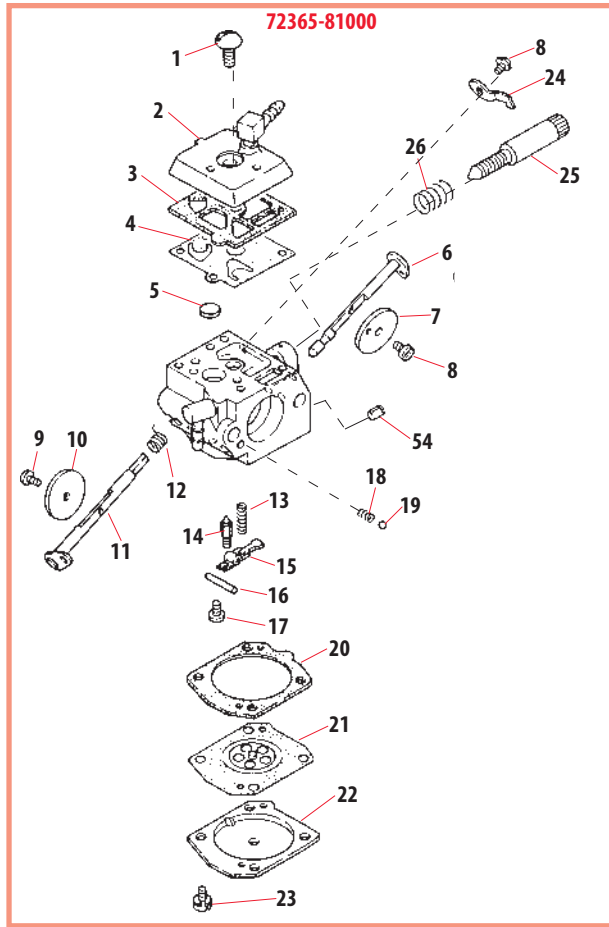
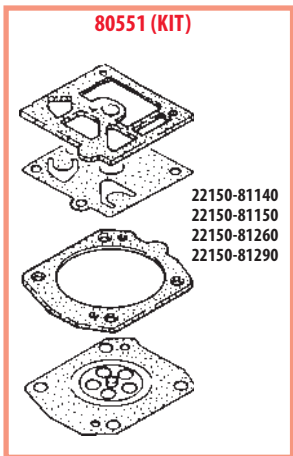
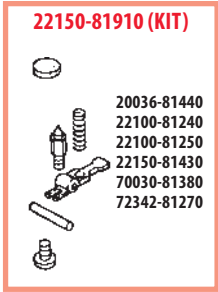
RECOIL STARTER
SISTEMA DE ARRANQUE
DÉMARREUR



Rev. 2/99

| Index No. Indice | Part Number Pieza No. Numero | Part Name | Descripción | Nom de la pièce | Qty. Qty. Cant. |
|---------------------|------------------------------------|-----------------------------|----------------------------|--------------------------|-----------------------|
| | 22160-75100 | RECOIL STARTER ASSY. | SISTEMA DE ARRANQUE | DÉMARREUR COMPLET | 1 |
| 1 | 22150-75530 | STOPPER, KNOB | RETENEDOR ASIDERO | ANNEAU D'ARRÊT | 1 |
| 2 | 22150-75520 | PULL KNOB | ASIDERO | POIGNÉE | 1 |
| 3 | 22160-75510 | ROPE | CUERDA | CORDE | 1 |
| 4 | 01020-05120 | BOLT | PERNO | BOULON | 1 |
| 5 | 22160-75450 | WASHER | ARANDELA | RONDELLE | 1 |
| 6 | 22160-75310 | REEL | CARRETE | BOBINE | 1 |
| 7 | 22160-75410 | RECOIL SPRING | RESORTE RECULAR | RESSORT DE RAPPEL | 1 |
| 8 | 22160-75220 | ROPE GUIDE | GUIA DEL CUERDA | GUIDE DE CORDE | 1 |
| 9 | 72311-75231 | MODEL LABEL | MARBETE DE FABRIQUANTE | PLAQUE D'IDENTIFICATION | 1 |
| 10 | 22157-75630 | BOLT | PERNO | BOULON | 4 |
| | 22160-75610 | AIR DEFLECTOR | DEFLECTOR DE AIRE | DÉFLECTEUR D'AIR | 1 |
| Optional | 22160-97510 | SNOW COVER | PROTECTOR DE NIEVE | CAPOT DE PROTECTION | 1 |

CARBURETOR (EPA/CARB)
 CARBURADOR
 CARBURATEUR
 Rev. 2/99



| Index No. Índice | Part Number Pieza No. Numero | Part Name | Descripción | Nom de la pièce | Qty. Qty. Cant. |
|------------------|------------------------------------|-------------------------|----------------------------|----------------------------|-----------------------|
| | 72365-81000 | CARBURETOR ASSY. | CARBURADOR COMPLETO | CARBURATEUR COMPLET | 1 |
| 1 | 22100-81130 | SCREW | TORNILLO | VIS | 1 |
| 2 | 72365-81120 | PUMP COVER | TAPA, BOMBA | ENSEMBLE DE JOINTS | 1 |
| 3 | 22128-81140 | GASKET, PUMP | EMPAQUE, BOMBA | JOINT, POMPE | 1 |
| 4 | 22150-81150 | DIAPHRAGM, PUMP | DIAFRAGMA, BOMBA | MEMBRANE, POMPE | 1 |
| 5 | 70030-81380 | SCREEN | MALLA FILTRADORA | MAILLE, FILTRE | 1 |
| 6 | 22160-81740 | SHAFT ASSY | EJE, COMPLETO | AXE | 1 |
| 7 | 22160-81710 | CHOKE VALVE | VALVULA, ESTRANGULADOR | SOUPAPE D'ÉTRANGLEUR | 1 |

CARBURETOR (EPA/CARB)
CARBURADOR
CARBURATEUR

Rev. 2/99

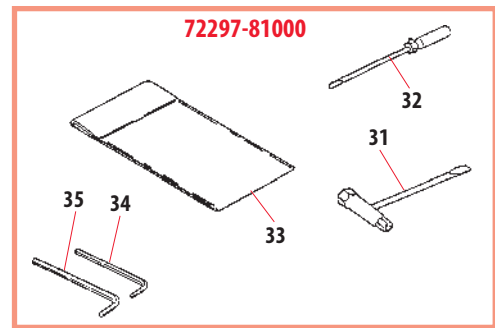
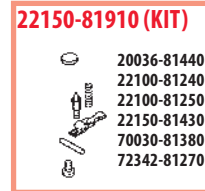
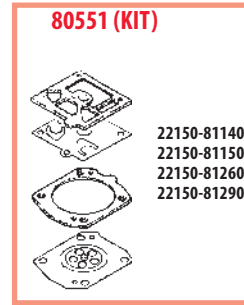
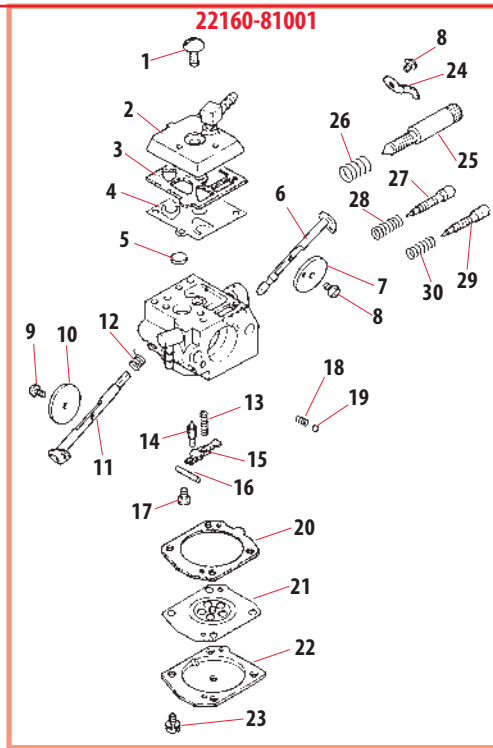
| Index No. Indice | Part Number Pieza No. Numero | Part Name | Descripción | Nom de la pièce | Qty. Qty. Cant. | |
|---------------------|------------------------------------|----------------------|-----------------------------|--------------------------------|-------------------------------|----------|
| 8 | 22100-81360 | SCREW | TORNILLO | VIS | 1 | |
| 9 | 20803-81140 | SCREW | TORNILLO | VIS | 1 | |
| 10 | 22100-81340 | THROTTLE VALVE | VALVULA | SOUPAPE D'ACCÉLÉRATEUR | 1 | |
| 11 | 22160-81371 | SHAFT ASSY | EJE | AXE | 1 | |
| 12 | 22150-81430 | RETURN SPRING | RESORTE | RESSORT DE RETOUR | 1 | |
| 13 | 72342-81270 | SPRING, LEVER | RESORTE EJE | RESSORT DU LEVIER | 1 | |
| 14 | 20036-81440 | NEEDLE VALVE | AGUJA VALVULA | POINTEAU | 1 | |
| 15 | 22150-81230 | LEVER | PALANCA | LEVIER | 1 | |
| 16 | 22100-81250 | PIN | PASADOR | AXE | 1 | |
| 17 | 22100-81240 | SCREW | TORNILLO | VIS | 1 | |
| 18 | 22150-81730 | SPRING | RESORTE | RESSORT | 1 | |
| 19 | 22150-81720 | BALL | BALIN | BILLE | 1 | |
| 20 | 22150-81290 | GASKET DIAPHRAGM | EMPAQUETADURA | JOINT | 1 | |
| 21 | 22150-81260 | METERING DIAPHRAGM | EJE CENTRAL | AXE PRINCIPAL | 1 | |
| 22 | 22150-81280 | COVER | TAPA | COUVERCLE | 1 | |
| 23 | 22100-81351 | SCREW | TORNILLO | VIS | 4 | |
| 24 | 22160-81390 | STOPPER | TORNILLO AJUSTE DE RALENTI | ANNEAU D'ARRÊT | 1 | |
| 25 | 22156-81410 | IDLE SCREW | RESORTE TORNILLO DE RALENTI | VIS DE RÉGLAGE DU RALENTI | 1 | |
| 26 | 22156-81420 | SPRING, IDLE SCREW | RESORTE | RESSORT | 1 | |
| 54 | 99909-25121 | LIMITER CAP, L SPEED | PROTECTOR, TORNILLO L | PROTECTEUR, VIS L | 1 | |
| 27 | 22157-82400 | AIR FILTER | FILTRO AIRE | FILTRE À AIR | 1 | |
| 28 | 22157-82430 | GROMMET | RETENEDOR | PASSE-CÂBLE | 1 | |
| 29 | 22157-12130 | BOLT | PERNO | BOULON | 1 | |
| 30 | 01613-05080 | WASHER | ARANDELA | RONDELLE | 1 | |
| 31 | 22157-82450 | ELBOW, CARBURETOR | CODO | CONNECTION DE TUYAU | 1 | |
| 32 | 11022-05500 | BOLT | PERNO | BOULON | 2 | |
| 33 | 22160-82110 | BRACKET | ABRAZADERA | SUPPORT | 1 | |
| 34 | 11024-04160 | BOLT | PERNO | BOULON | 4 | |
| 35 | 22160-82311 | CHOKE ROD | VARILLA DEL ESTRANGULADOR | TIGE D'ÉTRANGLEUR | 1 | |
| 36 | 22160-82321 | GROMMET, CHOKE | RETENEDOR | PASSE-CÂBLE | 1 | |
| 37 | 22160-82353 | THROTTLE ROD | VARILLA DEL ACELERADOR | TIGE D'ACCÉLÉRATEUR | 1 | |
| 38 | 22160-82360 | GROMMET | RETENEDOR | PASSE-CÂBLE | 1 | |
| 39 | 22160-82210 | PULSE TUBE | TUBO DE PULSACIONES | TUYAU DE PULSATION | 1 | |
| 40 | 22150-82140 | CLIP | ABRAZADERA | ATTACHE | 1 | |
| Optional | 41 | 22160-97550 | FLOCKED AIR FILTER | FILTRO DE AIRE | FILTRE À AIR | 1 |
| | 42 | 22160-82430 | BRACKET | SOPORTE FILTRO DE AIRE | SUPPORT | 1 |
| | 43 | 22160-82450 | SEAL | EMPAQUE FLEXIBLE | BAGUE D'ÉTANCHÉITÉ | 1 |
| | 44 | 01201-05120 | BOLT | PERNO | BOULON | 1 |
| Optional | | 99909-488P | AIR FILTER KIT | FILTRO DE AIRE COMPLETO | FILTRE À AIR COMPLET | 1 |
| | 45 | 22961-82610 | KNOB | PERILLA | BOUTON DE SERRAGE | 1 |
| | 46 | 72355-82500 | CLEANER COVER ASSY | CUBIERTA, FILTRO DE AIRE | COUVERCLE DU FILTRE À AIR | 1 |
| | 47 | 22961-82410 | PRE FILTER | PRE FILTRO | PRÉ FILTRE | 1 |
| | 48 | 22961-82420 | AIR FILTER | FILTRO DE AIRE | FILTRE À AIR | 1 |
| | 49 | 22961-82430 | SUB FILTER | POST FILTRO | POST FILTRE | 1 |
| | 50 | 01020-05160 | BOLT | PERNO | BOULON | 1 |
| | 51 | 22961-82450 | BOLT | PERNO | BOULON | 1 |
| | 52 | 22961-82460 | CLEANER BASE | BASE, FILTRO DE AIRE | BASE DU FILTRE À AIR | 1 |
| | 53 | 22961-82470 | GASKET | EMPAQUE | JOINT | 1 |
| | | 22150-81910 | KWIK KIT | JUEGO DE REPARACION | ENSEMBLE DE RÉPARATION | 1 |
| | | 80551 | GASKET/DIAPHRAGM KIT | DIAFRAGMA/EMPAQUE | JOINTS/DIAPHRAGMES | 1 |

shindaiwa

© Shindaiwa Inc.

CARBURETOR (Non EPA/CARB)
 CARBURADOR
 CARBURATEUR

Rev. 2/99



| Index | Part Number | Part Name | Qty. |
|-------|--------------------|-------------------------|----------|
| | 22160-81001 | CARBURETOR ASSY. | 1 |
| 1 | 22100-81130 | SCREW | 1 |
| 2 | 72365-81120 | PUMP COVER ASSY | 1 |
| 3 | 22150-81140 | GASKET, PUMP | 1 |
| 4 | 22150-81150 | DIAPHRAGM, PUMP | 1 |
| 5 | 70030-81380 | SCREEN | 1 |
| 6 | 22160-81740 | SHAFT ASSY | 1 |
| 7 | 22160-81710 | CHOKE VALVE | 1 |
| 8 | 22100-81360 | SCREW | 1 |
| 9 | 20803-81140 | SCREW | 1 |
| 10 | 22100-81340 | THROTTLE VALVE | 1 |
| 11 | 22160-81371 | SHAFT ASSY | 1 |
| 12 | 22150-81430 | RETURN SPRING | 1 |
| 13 | 72342-81270 | SPRING, LEVER | 1 |
| 14 | 20036-81440 | NEEDLE VALVE | 1 |
| 15 | 22150-81230 | LEVER | 1 |
| 16 | 22100-81250 | PIN | 1 |
| 17 | 22100-81240 | SCREW | 1 |
| 18 | 22150-81730 | SPRING | 1 |
| 19 | 22150-81720 | BALL | 1 |
| 20 | 22150-81290 | GASKET, DIAPHRAGM | 1 |
| 21 | 22150-81260 | METERING DIAPHRAGM | 1 |
| 22 | 22150-81280 | COVER | 1 |

| Index | Part Number | Part Name | Qty. |
|-------|--------------------|-----------------------------|----------|
| 23 | 22100-81351 | SCREW | 4 |
| 24 | 22160-81390 | STOPPER | 1 |
| 25 | 22156-81410 | IDLE SCREW | 1 |
| 26 | 22156-81420 | SPRING, IDLE | 1 |
| 27 | 22160-81170 | L NEEDLE | 1 |
| 28 | 22160-81160 | SPRING, NEEDLE | 1 |
| 29 | 22160-81330 | H NEEDLE | 1 |
| 30 | 22160-81160 | SPRING, NEEDLE | 1 |
| | 80551 | GASKET/DIAPHRAGM KIT | 1 |
| | 22150-81910 | KWIK KIT | 1 |
| | 72297-91000 | TOOL SET | 1 |
| 31 | 22150-91410 | PLUG WRENCH | 1 |
| 32 | 22150-91160 | SCREW DRIVER | 1 |
| 33 | 19639-01100 | TOOL BAG | 1 |
| 34 | 09026-03001 | WRENCH, 3MM | 1 |
| 35 | 09026-04001 | WRENCH, 4MM | 1 |

