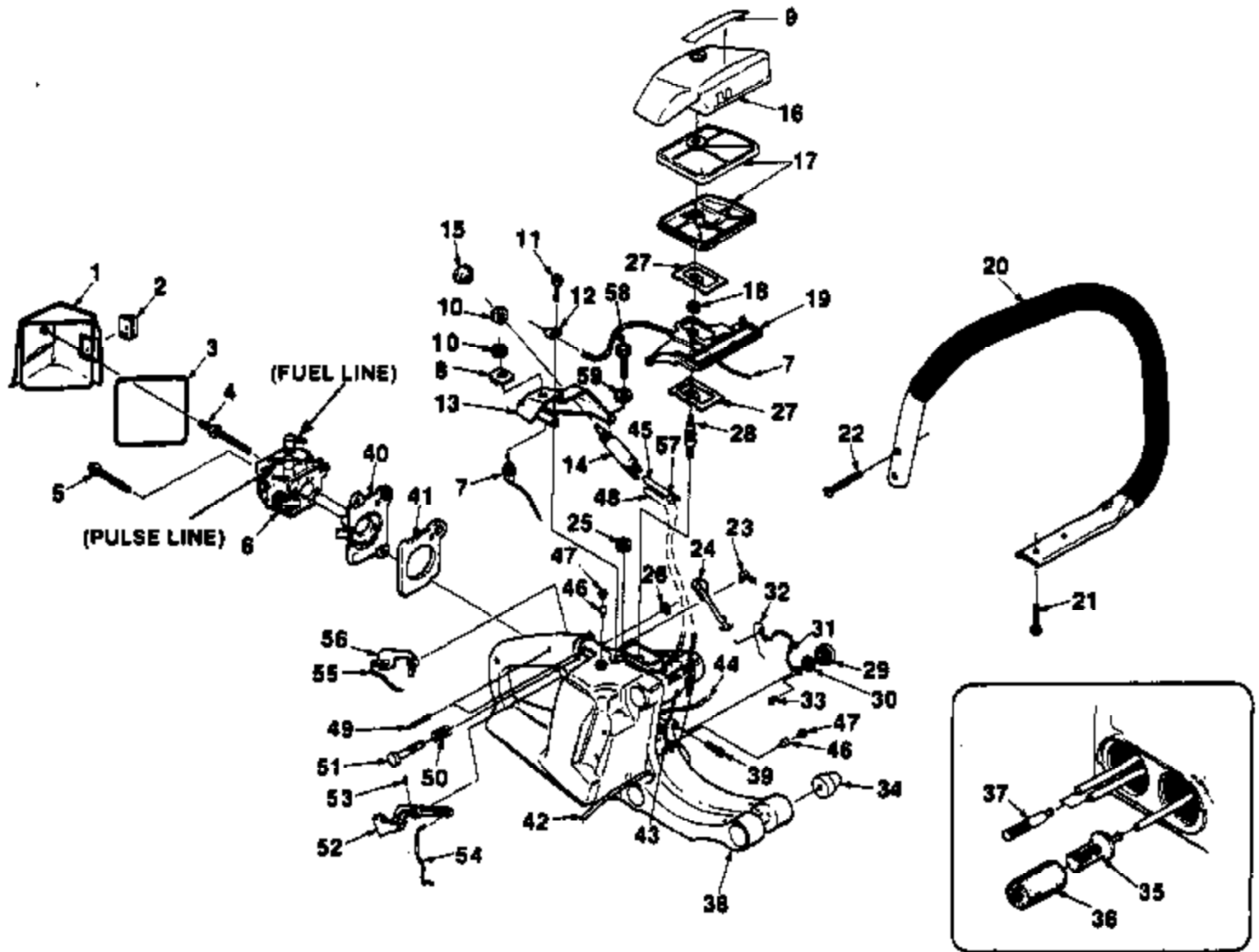


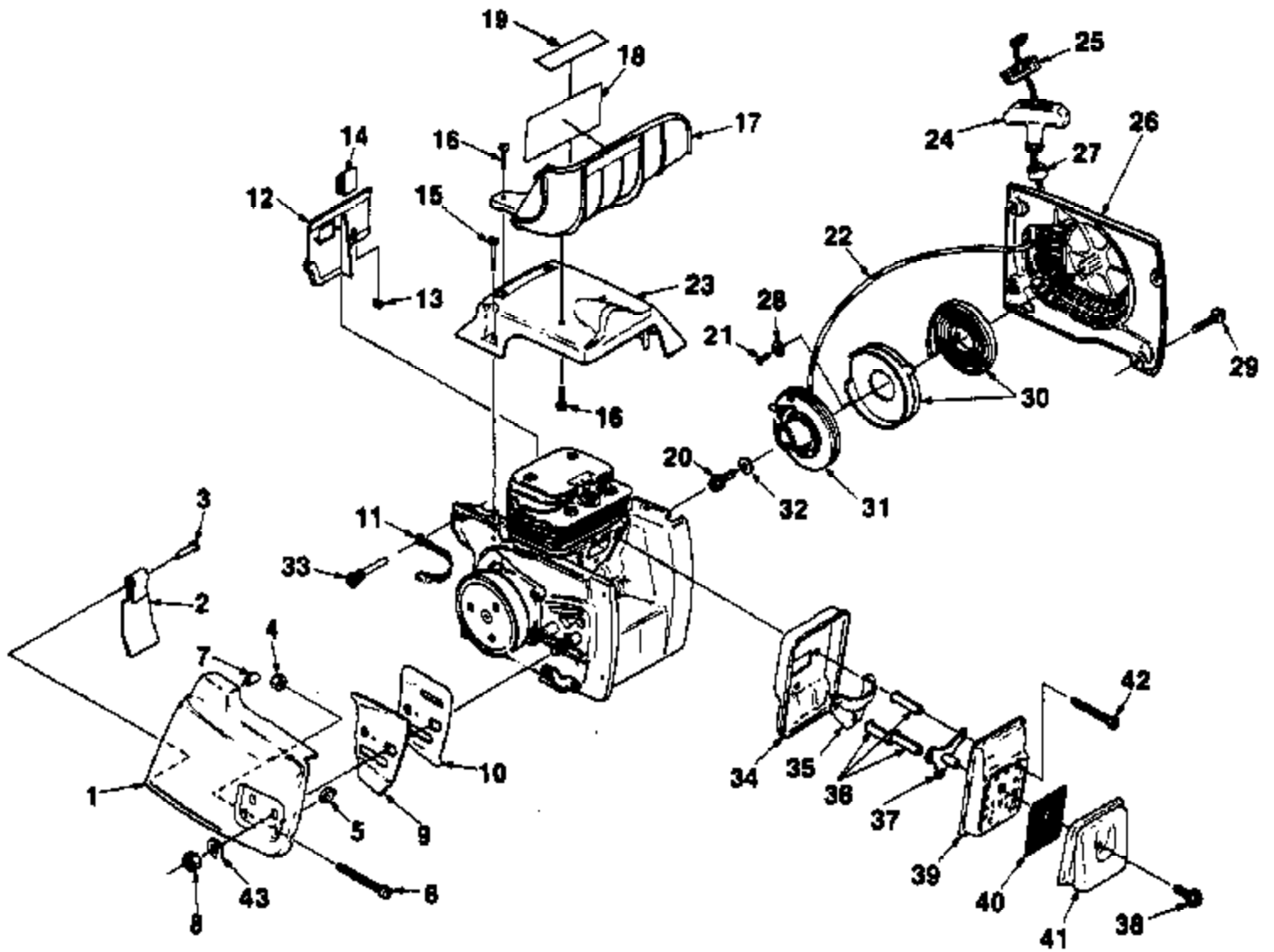
| Ref # | Part Number | Qty | Description  |
|-------|-------------|-----|--|
| 1     | 82253       | 3   | SCREW- Pan hd. (8-32 x 3/8")   |
| 2     | 93628       | 1   | COVER- Clutch  |
| 3     | 93639       | 1   | SPIDER- Clutch   |
| 4     | A93632B     | 3   | SHOE- Clutch   |
| 5     | 93814A      | 3   | SPRING- Clutch   |
| 6     | 93650       | 1   | WASHER- Thrust   |
| 7     | A94302      | 1   | DRUM & HUB   |
| 8     | 95058A      | 1   | SPROCKET 3/8" pitch 7 tooth  |
|       | A95465      | 1   | SPROCKET & DRUM (spur type 3/8" 7T)  |
| 9     | 64124       | 1   | BEARING- Needle  |
| 10    | 64129A      | 1   | RACE- Inner  |
| 11    | 63462       | 1   | WASHER- Thrust   |
| 12    | 80660       | 3   | SCREW- Fil. hd. (10-24 x 7/8")   |
| 13    | 93336       | 1   | WORM- Oil pump   |
| 14    | A93319      | 1   | PUMP- Automatic oil  |
| 15    | 80919       | 2   | SCREW- (4-40 x 1/4")   |
| 16    | 64102A      | 1   | SCREW- Cam   |
| 17    | 59736       | 1   | GASKET   |
| 18    | 59926       | 1   | SEAL- Felt   |
| 19    | 12282A      | 1   | SEAL   |
| 20    | 93329       | 1   | GASKET   |
| 21    | 93426       | 1   | CLAMP  |
| 22    | 9477220     | 1   | TUBING 5" (manual delivery)  |
| 23    | 7031023     | 1   | TUBING- 6 3/4" (auto oil pick-up)  |
| 24    | A00901      | 1   | CYLINDER   |
| 25    | 93338       | 1   | GASKET   |
| 26    | A977942     | 1   | PISTON   |
| 27    | 64813       | 2   | RING- Retaining  |
| 28    | 93216       | 2   | PISTON- Ring   |
| 29    | 97566       | 1   | NEEDLE- Bearing (after lot #E286)  |
| 30    | 96865       | 1   | PIN- Dowel   |
| 31    | 93325       | 4   | REED   |
| 32    | 93327       | 1   | CONNECTOR- Carburetor  |
| 33    | 93328       | 1   | RETAINER- Reed valve   |
| 34    | 80582       | 4   | SCREW- Washer hd. (8-32 x 5/8")  |
| 35    | 93323       | 1   | STIFFNER- Connector (for units prior to Lot #C300)                         |
| 36    | 93324       | 1   | SEAT- Reed valve   |
| 37    | 93326A      | 1   | RETAINER- Reed   |
| 38    | 12021       | 4   | WASHER- Conical  |
| 39    | 93399       | 4   | SCREW- Soc hd. (10-24 x 1 1/8")  |
| 40    | 96169S      | 1   | SPARK PLUG (DJ7Y)  |
| 41    | A33055      | 1   | TERMINAL- Spark plug   |
| 42    | 9315719     | 1   | TUBING- 4 3/4"   |
| 43    | 81208       | 4   | NUT- Centerlock (10-24)  |
| 44    | 12689A      | 2   | RETAINER- Nut  |
| 45    | 82251       | 4   | SCREW- Pan hd. (6-32 x 3/8")   |
| 46    | 81255       | 1   | NUT- Lock (3/8-24)   |
| 47    | 95479A      | 1   | WASHER- Flat   |
| 48    | 93312       | 1   | SCROLL- Air guide  |
| 49    | 58318       | 1   | GROMMET  |
| 50    | A01931      | 1   | SWITCH & LEAD See Handles, Air Filter & Carburetor index #7 for breakdown) |
| 51    | 88052       | 2   | SCREW- Hex Sems (10-24 x 7/8")   |
| 52    | 50729       | 1   | CLAMP- Wire  |
| 53    | A93414      | 1   | MODULE   |
| 54    | 64054C      | 2   | BOLT- Shoulder   |
| 55    | 58756A      | 2   | PAWL- Starter  |

| Ref # | Part Number | Qty | Description  |
|-------|-------------|-----|--|
| 56    | 84115       | 2   | WASHER- Flat   |
| 57    | 011011      | 2   | SPRING- Starter pawl                                     |
| 58    | 93313       | 1   | ROTOR  |
| 59    | A93441      | 1   | CRANKCASE  |
| 60    | 88056       | 5   | SCREW- (10-24 x 1 3/4")                                  |
| 61    | 12282A      | 1   | SEAL   |
| 62    | 69833       | 1   | FITTING  |
| 63    | 94621       | 2   | BEARING- Ball  |
| 64    | 93310       | 2   | BOLT- Guide bar  |
| 65    | 70204       | 2   | FITTING  |
| 66    | 75078       | 1   | KEY- Woodruff  |
| 67    | A97567A     | 1   | CRANKSHAFT   |
|       | 93369       | 1   | BEARING- Needle (prior to lot #E286) (See index #29)     |
|       | 94621       | 1   | BEARING- Ball (see index #63)                            |
|       | 97566       | 1   | BEARING- Needle (long) (see index #29) (after lot #E286) |
| 68    | 88042       | 2   | SCREW- Hex Sems (8-32 x 1/2")                            |
| 69    | 70705       | 1   | STOP- Chain  |
| 70    | A93445B     | 1   | KIT- Spiked bumper                                       |
| 71    | 97636       | 2   | SCREW- (10-24 x 1/2")                                    |
| 72    | 81261       | 2   | NUT  |
| 73    | 97633       | 2   | WASHER- Sealing  |
| 74    | 31062       | 2   | PIN- Dowel   |
| 75    | 69326       | 1   | LEAD- High tension                                       |
|       | DA70790B    | 1   | SAFE-T-TIP (not shown)                                   |
|       | 82335       | 1   | SCREW  |



| Ref # | Part Number | Qty | Description                        |
|-------|-------------|-----|------------------------------------|
| 1     | A934312     | 1   | COVER- Carburetor                  |
| 2     | 93470       | 1   | GROMMET (Hi-Lo)                    |
| 3     | 01160       | 1   | GASKET- Carburetor                 |
| 4     | 93468       | 1   | STUD- Shoulder                     |
| 5     | 93460       | 1   | SCREW- Hex Sems (10-24 x 17/8")    |
| 6     | A97102      | 1   | CARBURETOR (Walbro)                |
| 7     | A01931      | 1   | SWITCH & LEAD                      |
| 8     | 12793A      | 1   | PLATE- Indicating                  |
| 9     | 00276       | 1   | LABEL- Warning                     |
| 10    | 72084A1     | 3   | NUT- Toggle switch                 |
| 11    | 88049       | 1   | SCREW- Hex Sems hd. (10-24 x 1/2") |
| 12    | 96717       | 1   | CLAMP- Wire                        |
| 13    | 932151      | 1   | PANEL- Rear                        |
| 14    | A96976      | 1   | PUMP- Manual oil                   |
| 15    | 65084       | 1   | BUTTON                             |
| 16    | A97094      | 1   | COVER- Air filter                  |
| 17    | A93401      | 1   | FILTER- Air                        |
| 18    | 93389       | 1   | RING- Retaining                    |
| 19    | 93364       | 1   | SUPPORT- Filter cover              |
| 20    | A93409C     | 1   | HANDLE BAR                         |
| 21    | 88052       | 2   | SCREW- Hex Sems (10-24 x 7/8")     |
| 22    | 82389       | 2   | SCREW- (10-24 x 1 1/4")            |
| 23    | 93381       | 1   | RETAINER- Choke                    |
| 24    | 93372       | 1   | ROD- Choke                         |
| 25    | 69889       | 1   | BOOT- Throttle rod                 |
| 26    | 93377       | 1   | RING- Retaining                    |
| 27    | 97635       | 2   | GASKET FILTER & SUPPORT            |
| 28    | 93382A      | 1   | STUD- Threaded                     |
| 29    | A97799      | 1   | CAP- Fuel (red)                    |
|       | A97798      | 1   | CAP- Oil (black)                   |
| 30    | 98805       | 2   | GASKET- Fuel & Oil Cap             |
| 31    | 69502       | 2   | BEAD- Chain                        |
| 32    | 96535       | 2   | RETAINER- Filler cap               |
| 33    | 82256A      | 2   | SCREW- Plastite                    |
| 34    | 93368A      | 6   | ISOLATOR                           |
| 35    | A97700      | 1   | FILTER- Fuel                       |
| 36    | 592531A     | 1   | ELEMENT- Filter                    |
| 37    | A59009A     | 2   | FILTER- Oil                        |
| 38    | A93446A     | 1   | HOUSING- Engine                    |
| 39    | 80022       | 3   | SCREW- Soc hd. (8-32 x 1/2")       |
| 40    | 976231      | 1   | ADAPTER- Carburetor                |
| 41    | 97622A      | 1   | SPACER- Carburetor                 |
| 42    | 7031023     | 1   | TUBING- 6 3/4" (auto pick up)      |
| 43    | 9315719     | 1   | TUBING- 4 3/4" (pulse line)        |
| 44    | 9477232     | 1   | TUBING- 8 3/4" (fuel line pick up) |
| 45    | 9477220     | 1   | TUBING- 5" (Man. delivery)         |
| 46    | 69451       | 2   | VALVE- Check                       |
| 47    | 93410       | 2   | FILTER- 11/32"                     |
| 48    | 7031036     | 1   | TUBING- 9 3/4" (man pick up)       |
| 49    | 68548       | 2   | PIN- Trigger                       |
| 50    | 93376       | 1   | SPRING- Compression                |
| 51    | 93375       | 1   | PIN- Throttle lock                 |
| 52    | A93374A     | 1   | TRIGGER                            |
| 53    | 82373       | 1   | SCREW- Set (6-32 x 1/4")           |
| 54    | 93371A      | 1   | ROD- Throttle                      |
| 55    | 93386       | 1   | SPRING- Flat                       |
| 56    | 93385       | 1   | LOCK- Trigger                      |
| 57    | 93426       | 1   | CLAMP                              |

| Ref # | Part Number | Qty | Description                   |
|-------|-------------|-----|-------------------------------|
| 58    | 82298       | 1   | SCREW- Hex hd. (10-24 x 5/8") |
| 59    | 83025       | 1   | WASHER- Lock                  |



| Ref # | Part Number | Qty | Description                                   |
|-------|-------------|-----|---|
| 1     | A96500      | 1   | COVER- Drivecase                              |
| 2     | 93439       | 1   | SHIELD- Sawdust                               |
| 3     | 85154       | 1   | RIVET- Pan hd.                                |
| 4     | 81204       | 1   | NUT- Hex (1/4-20)                             |
| 5     | 93039       | 1   | PIN- Guide bar adj.                           |
| 6     | 63367       | 1   | SCREW- Guide bar adj.                         |
| 7     | 95839       | 1   | BUSHING                                       |
| 8     | 810892      | 2   | NUT-(3/8-16)                                  |
| 9     | 70400       | 1   | PLATE- Guide bar (outer) 410 only             |
| 10    | 70399       | 1   | PLATE- Guide bar (inner)                      |
| 11    | A93459A     | 1   | STRAP- Ground                                 |
| 12    | A96866      | 1   | DEFLECTOR- Air                                |
| 13    | 93357       | 1   | GROMMET                                       |
| 14    | 96200       | 1   | SPRING- Clip                                  |
| 15    | 93397A      | 3   | SCREW- Cylinder cover (8-32 x 7/8")           |
| 16    | 82312       | 4   | SCREW- Threaded rolling plastite (#10 x 5/8") |
| 17    | A95092      | 1   | GUARD- Hand                                   |
| 18    | 96990A      | 1   | DECAL- Safety warning                         |
| 19    | 98646       | 1   | LABEL- Ansi                                   |
| 20    | 93417       | 1   | SCREW- (#10 x 5/8")                           |
| 21    | 82528       | 2   | SCREW- Plastite (6 x 3/8")                    |
| 22    | A00518      | 1   | ROPE- Starter (#5) 45"                        |
| 23    | 931631      | 1   | COVER- Cylinder (410 only)                    |
| 24    | A69962B     | 1   | GRIP- Starter rope                            |
| 25    | 70018A      | 1   | INSERT- Rope retaining                        |
| 26    | A97988A     | 1   | HOUSING- Starter                              |
| 27    | 67177       | 1   | BUSHING                                       |
| 28    | 84025       | 2   | WASHER- Flat                                  |
| 29    | 82298       | 4   | SCREW- Hex Sems (10-24 x 5/8")                |
| 30    | A98067      | 1   | SPRING & RETAINER                             |
| 31    | A97990      | 1   | STARTER PULLEY & CUP                          |
| 32    | 58763       | 1   | WASHER- Retaining                             |
| 33    | 93367       | 6   | PIN- Isolator                                 |
| 34    | 93347       | 1   | BODY- Muffler                                 |
| 35    | 93349       | 1   | PLATE- Stiffner                               |
| 36    | 9398303     | 3   | SPACER- Muffler                               |
| 37    | A95062      | 1   | SPACER & PLATE                                |
| 38    | 88048       | 1   | SCREW- Hex Sems (10-32 x 3/8")                |
| 39    | 933481A     | 1   | COVER- Muffler                                |
| 40    | 93344       | 1   | SCREEN- Spark                                 |
| 41    | A93355A     | 1   | CAP- Muffler exhaust                          |
| 42    | 94129       | 3   | SCREW- Hex hd. (12-24 x 17/8")                |
| 43    | 95479A      | 2   | WASHER- Flat                                  |



## ACCESSORIES & TOOLS

|  |                            |   |                             |
|--|----------------------------|---|-----------------------------|
| <b>WRENCH- Combination<br/>SILASTIC</b>              | <b>A-24254-A<br/>24823</b> | <b>BIT- Driver torx (isolator pin)<br/>5/16 shank</b>           | <b>24982-02</b>             |
| <b>TUBING- Rubber 10' (fuel &amp; oil)</b>           | <b>93112-99</b>            | <b>KIT- Winter</b>  | <b>A-96708</b>              |
| <b>TUBING- Rubber 10' (pulse line)</b>               | <b>93157-99</b>            | <b>Includes:</b>  |                             |
| <b>PAINT- Red</b>                                    | <b>23475</b>               | <b>GROMMET</b>  | <b>93357</b>                |
| <b>PULLER- Rotor</b>                                 | <b>A-17106-B</b>           | <b>CLIP- Spring</b>   | <b>96200</b>                |
| <b>Includes:</b>                                     |                            | <b>SPACER- Long bearing tool</b>                                | <b>97790</b>                |
| <b>STUD- Hex hd.</b>                                 | <b>17108</b>               | <b>SPACER- Short bearing tool</b>                               | <b>97791</b>                |
| <b>SCREW- Hex hd.</b>                                | <b>80627</b>               | <b>ANVIL- Bearing installation</b>                              | <b>23546-4</b>              |
| <b>RING- Retaining</b>                               | <b>93972</b>               | <b>TOOL- Needle bearing (plug)</b>                              | <b>23758</b>                |
| <b>WRENCH- Spanner</b>                               | <b>A-17146</b>             | <b>TOOL KIT- Carburetor repair<br/>Ignition Test Spark Plug</b> | <b>17789<br/>JA-31316-4</b> |
| <b>SHIM- Air gap (black)</b>                         | <b>24306</b>               |   |                             |
| <b>COMPOUND- Thread locking</b>                      | <b>23488-C</b>             |   |                             |
| <b>BIT- Driver torx (isolator pin)<br/>1/4 shank</b> | <b>24982-01</b>            |   |                             |

## BAR & CHAIN COMBINATIONS

| <b>BAR SIZE<br/>&amp; TYPE</b> | <b>BAR<br/>NUMBER</b> | <b>CHAIN<br/>DESCRIPTION</b> | <b>CHAIN<br/>NUMBER</b> |
|--------------------------------|-----------------------|------------------------------|-------------------------|
| 16" PT                         | PT-16381-G5           | 38-LE50-59                   | J1-92059-MB             |
| GW                             | GW-16001-G5           | 38-LE50-59                   |                         |
| SP                             | SP-16381-H5           | 38-LE50-59                   |                         |
| 20" PT                         | PT-20381-G5           | 38-LE50-70                   | J1-92070-MB             |
| GW                             | GW-20001-G5           | 38-LE50-70                   |                         |
| SP                             | SP-20381-H5           | 38-LE50-70                   |                         |
| 24" PT                         | PT-24381-G5           | 38-LE50-81                   | J1-92081-MB             |
| GW                             | GW-24001-G5           | 38-LE50-81                   |                         |
| SP                             | SP-24381-H5           | 38-LE50-81                   |                         |
| 28" SP                         | SP-28381-H5           | 38-LE50-92                   | J1-92092-MB             |
| 30" GW                         | GW-30001-G5           | 38-LE50-98                   | J1-92098-MB             |
| 31" SP                         | SP-31381-H5           | 38-LE50-103                  | J1-92103-MB             |

| Ref # | Part Number | Qty | Description                                |
|-------|-------------|-----|--|
|       | A24284A     |     | WRENCH- Combination                        |
|       | 24823       |     | SILASTIC                                   |
|       | 9311299     |     | TUBING- Rubber 10' (fuel & oil)            |
|       | 9315799     |     | TUBING- Rubber 10' (pulse line)            |
|       | 23475       |     | PAINT- Rod                                 |
|       | A17106B     |     | PULLER- Rotor                              |
|       | 17108       |     | STUD- Hex hd.                              |
|       | 80627       |     | SCREW- Hex hd.                             |
|       | 93972       |     | RING- Retaining                            |
|       | A-17146     |     | WRENCH- Spanner                            |
|       | 24306       |     | SHIM- Air gap (black)                      |
|       | 23488C      |     | COMPOUND- Thread locking                   |
|       | 2498201     |     | BIT- Driver torx (isolator pin) 1/4 shank  |
|       | 2498202     |     | BIT- Driver torx (isolator pin) 5/16 shank |
|       | A-96708     |     | KIT- Winter                                |
|       | 93357       |     | GROMMET                                    |
|       | 96200       |     | CLIP- Spring                               |
|       | 97790       |     | SPACER- Long bearing tool                  |
|       | 97791       |     | SPACER- Short bearing tool                 |
|       | 238464      |     | ANVIL- Bearing Installation                |
|       | 23756       |     | TOOL- Needle bearing (plug)                |
|       | 17789       |     | TOOL KIT- Carburetor repair                |
|       | JA313164    |     | Ignition Test Spark Plug                   |
|       | J192059MB   |     | 16" PT - PT-16381-G5 - 38-LE50-59          |
|       |             |     | GW - GW-16001-G5 - 38-LE50-59              |
|       |             |     | SP - SP-16381-H5 - 38-LE50-59              |
|       | J192070MB   |     | 20" PT - PT-20381-G5 - 38-LE50-70          |
|       |             |     | GW - GW-20001-G5 - 38-LE50-70              |
|       |             |     | SP - SP-20381-H5 - 38-LE50-70              |
|       | J192081MB   |     | 24" PT - PT-24381-G5 - 38-LE50-81          |
|       |             |     | GW - GW-24001-G5 - 38-LE50-81              |
|       |             |     | SP - SP-24381-H5 - 38-LE50-81              |
|       | J192092MB   |     | 28" SP - SP-28381-H5 - 38-LE50-92          |
|       | J192098MB   |     | 30" GW - GW-30001-G5 - 38-LE50-98          |
|       | J192103MB   |     | 31" SP - SP-31381-H5 - 38-LE50-103         |