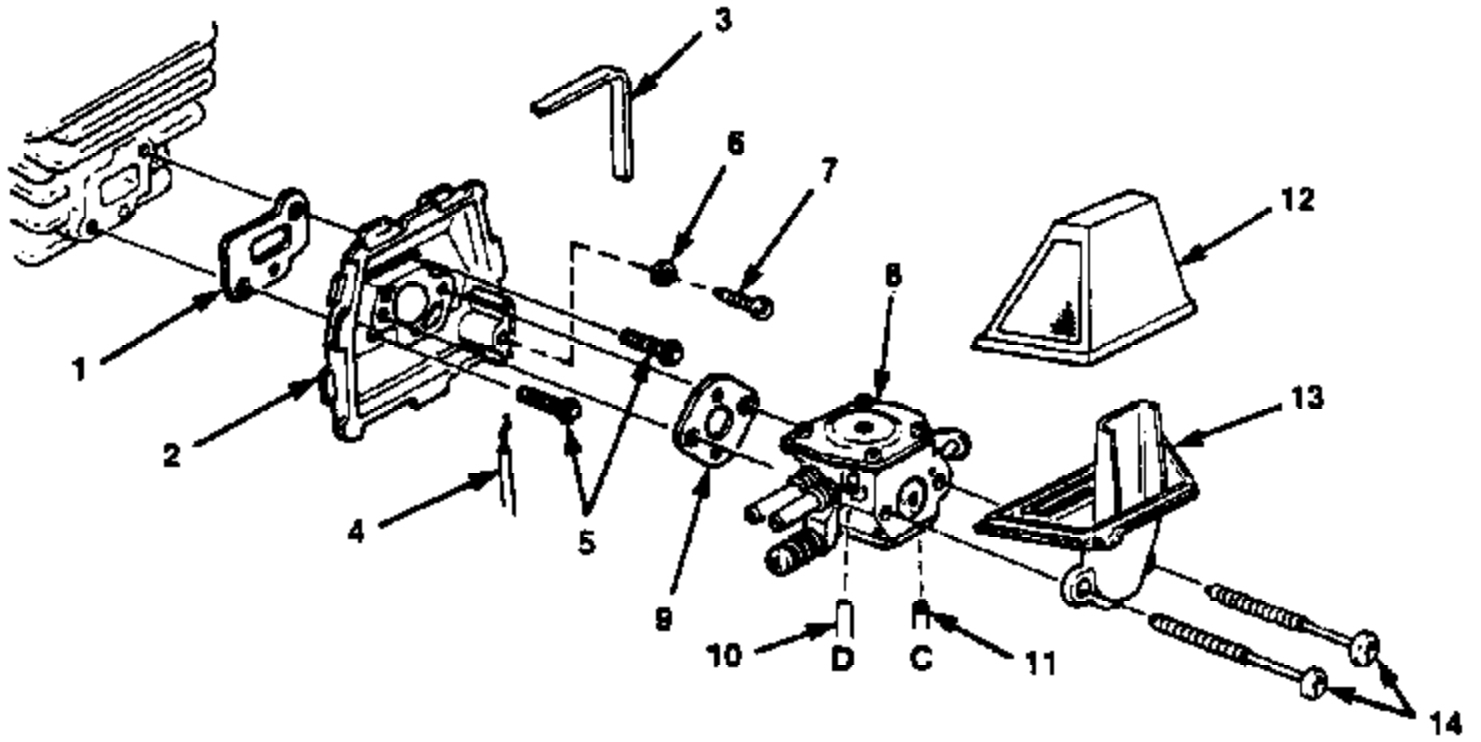


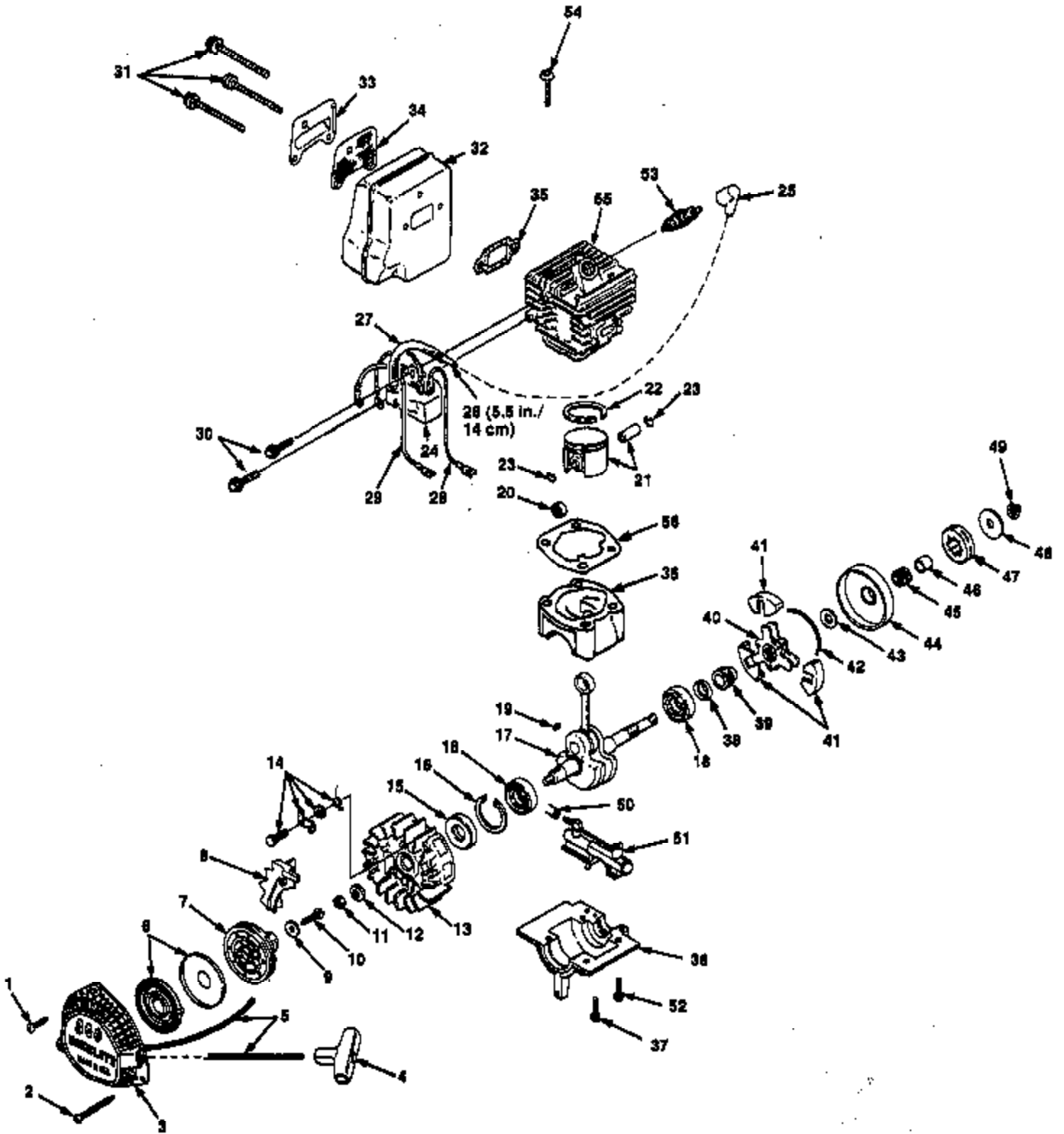
Ref #	Part Number	Qty	Description
A-02177	A02177	1	BUMPER SPIKE KIT
9477299	9477299	1	RUBBER TUBING (10')
18453	18453	1	GREASE- Multi-Purpose (Sprocket bearing-PT guide bar)
98052	98052	1	STARTING ROPE (250 ft. Reel)
DA-70776-B	DA70776B	1	SAFE-T-TIP
7031099	7031099	1	RUBBER TUBING (10')
PT-16321-G6	PT16321G6	1	GUIDE BAR, (power tip) (16")
PT-18321-G6	PT18321G6	1	GUIDE BAR, (power tip) (18")
PT-20321-G6	PT20321G6	1	GUIDE BAR, (power tip) (20")
SP-16321-H6	SP16321H6	1	GUIDE BAR, (sprocket tip) (16")
SP-20321-H6	SP20321H6	1	GUIDE BAR, (sprocket tip) (20")
32-LE50-67	32LE5067	1	CHAIN (32-LE50-67) (16")
32-LE50-73	32LE5073	1	CHAIN (32-LE50-73) (18")
32-LE50-79	32LE5079	1	CHAIN (32-LE50-79) (20")
94194	94194	1	COMPRESSION TESTER
17789	17789	1	CARBURETOR REPAIR TOOL
24306	24306	1	SHIM (.0125")
18416	18416	1	DIGITAL TACHOMETER
18080	18080	1	CLUTCH ASSEMBLY TOOL
24823	24823	1	SEALANT SILICON
A-24824	A24824	1	WRENCH (combination)
A24747A	A24747A	1	PULLER- Magneto Rotor
2498202	2498202	1	T-25 TORX DRIVE BIT
22486	22486	1	SHIM (0.015" AIR GAP)
JA313164	JA313164	1	TESTER (Spark Plug)
A-01182	A01182	1	CLUTCH SPANNER

▶ BUMPER SPIKE KIT A-02177	▶ COMPRESSION TESTER 94194
Jeu de crampon d'amortisseur	Appareil d'essai de compression
Stoßstangen-Spikesatz	Verdichtungs-Prüfgerät
Kit della punta del paraurti	Tester a compressione
Juego de punta del parachoques	Medidor de compresión
▶ RUBBER TUBING (10') 94772-89	▶ CARBURETOR REPAIR TOOL 17788
Tubes en caoutchouc (3,05 m)	Outil de réparation de carburateur
Gummrohr (3,05 m)	Yergaser-Reparaturwerkzeug
Dotto di gomma (3,05 m)	Atrezzo di riparazione del carburatore
Tubo de caucho (3,05 m)	Herramienta de reparación del carburador
▶ GREASE- Multi-Purpose (Sprocket bearing-PT guide bar) 18483	▶ SHIM (.0125") 24306
Grasses universelle (Palier de pignon-PT - lame-guide)	Cale (0,31mm)
Mehrzweck-Schmiermittel	Distanzstück (0,31mm)
(Kettenradlager - PT - Führungsschiene)	Zeppa (0,31mm)
Grasso, multiscopo (Cuscinetto della ruota dentata - PT - barra di guida)	Calos (0,31mm)
Grasa de uso general (Cojinete de la rueda dentada - PT - barra guía)	▶ DIGITAL TACHOMETER 18418
▶ STARTING ROPE (250 ft. Reel) 98052	Compta-tours numérique
Cordon de lancer (79 m bobine)	Digital-Drehzahlmesser
Startersed (79 m Spule)	Tachometro digitale
Corda d'avviamento (bobina de 79 m)	Taóometro digital
Cuerda de arranque (carrete de 79 m)	▶ CLUTCH ASSEMBLY TOOL 18080
▶ SAFE-T-TIP® DA-70778-B	Outil de montage d'embrayage
SAFE-T-TIP®	Kupplungszusammenbau-Werkzeug
SAFE-T-TIP®	Atrezzo del gruppo frizione
SAFE-T-TIP®	Herramienta de armado del embrague
▶ RUBBER TUBING (10') 70310-89	▶ SEALANT SILICON 24823
Tubes en caoutchouc (3,05 m)	Matériau d'étanchéité au silicone
Gummrohr (3,05 m)	Silicon-Dichtungsmasse
Dotto di gomma (3,05 m)	Sigillo al silicone
Tubo de caucho (3,05 m)	Selador de silicona
▶ GUIDE BAR, (power tip) (18") PT-18321-G4	▶ WRENCH (combination) A-24824
Lame guide, (Extrémité motrice)	Clé combiné
(40,84cm)	Schraubenschlüssel Kombination
Führungstange, (Antriebspitze)	Chiave combinata
(40,84cm)	Llave combinada
Lama, (Punta di potenza) (40,84cm)	▶ PULLER- Magneto Rotor A-24747-A
Barra guía, (Punta de potencia) (40,84cm)	Extractor, rotor magneto
▶ GUIDE BAR (power tip) (18") PT-18321-G6	Abziehwerkzeug-Magnetorotor
Lame guide, (Extrémité motrice)	Rotora d'estrazione a magneto
(45,72cm)	Extractor-rotor de magneto
Führungstange, (Antriebspitze)	▶ T-25 TORX DRIVE BIT 24883-02
(45,72cm)	Foret torx T-25
Lama, (Punta di potenza) (45,72cm)	T-25 Torx-Antriebsbit
Barra guía, (Punta de potencia) (45,72cm)	Punta Torx Drive T-25
▶ GUIDE BAR, (power tip) (20") PT-20321-G6	Broca de empuje T-25 Torx
Lame guide, (Extrémité motrice)	▶ SHIM (0.015" AIR GAP) 22486
(50,80cm)	Cale (écart de 0,38 mm)
Führungstange, (Antriebspitze)	Distanzscheibe (0,38 mm Luftspalt)
(50,80cm)	Spessore (spinterometro 0,38 mm)
Lama, (Punta di potenza) (50,80cm)	Suplemento (espacio de 0,38 mm)
Barra guía, (Punta de potencia) (50,80cm)	▶ TESTER (Spark Plug) JA-31318-4
▶ GUIDE BAR, (sprocket tip) (18") 3P-18321-H6	Appareil de contrôle (Bougie)
Lame guide, (Extrémité à pignon)	Prüfgerät (Zündkerze)
(40,84cm)	Tester (candela)
Führungstange, (Kettenradspitze)	Probador de bujía
(40,84cm)	▶ CLUTCH SPANNER A-01182
Lama, (Punta dentata) (40,84cm)	Clé à embrayage
Barra guía, (Punta de rueda dentada) (40,84cm)	Kupplungs-Gabelschlüssel
▶ GUIDE BAR, (sprocket tip) (20") 6P-20321-H6	Chiave della frizione
Lame guide, (Extrémité à pignon)	Llave para embrague
(50,80cm)	
Führungstange, (Kettenradspitze) (50,80cm)	
Lama, (Punta dentata) (50,80cm)	
Barra guía, (Punta de rueda dentada) (50,80cm)	
▶ CHAIN (32-LE50-57) (18")	
Chaîne (32-LE50-57) (40,84cm)	
Kette (32-LE50-57) (40,84cm)	
Cadena (32-LE50-57) (40,84cm)	
Cadena (32-LE50-57) (40,84cm)	
▶ CHAIN (32-LE50-73) (18")	
Chaîne (32-LE50-73) (45,72cm)	
Kette (32-LE50-73) (45,72cm)	
Cadena (32-LE50-73) (45,72cm)	
Cadena (32-LE50-73) (45,72cm)	
▶ CHAIN (32-LE50-79) (20")	
Chaîne (32-LE50-79) (50,80cm)	
Kette (32-LE50-79) (50,80cm)	
Cadena (32-LE50-79) (50,80cm)	
Cadena (32-LE50-79) (50,80cm)	

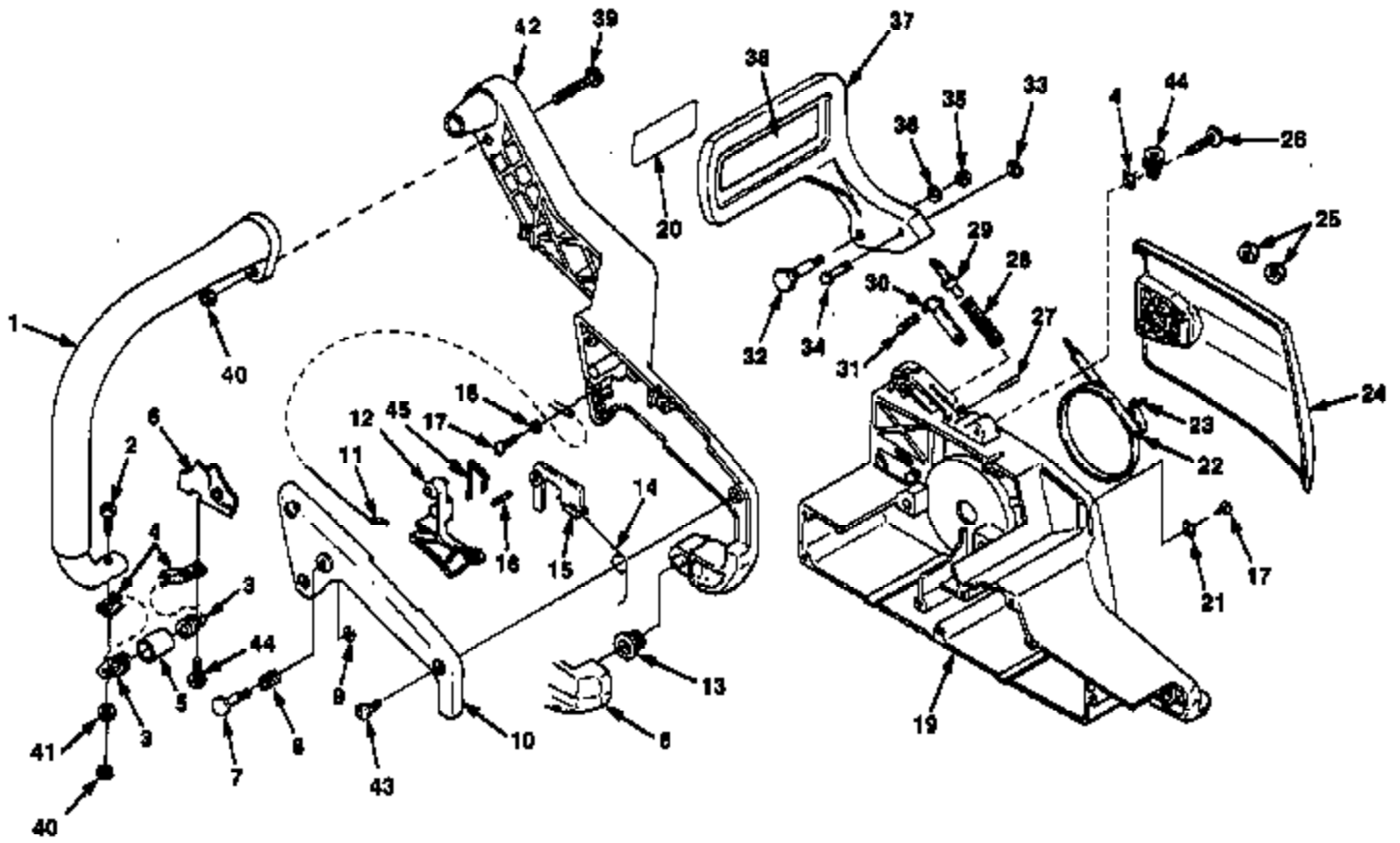
Ref #	Part Number	Qty	Description
A-02177	A02177	1	BUMPER SPIKE KIT
9477299	9477299	1	RUBBER TUBING (10')
18453	18453	1	GREASE- Multi-Purpose (Sprocket bearing-PT guide bar)
98052	98052	1	STARTING ROPE (250 ft. Reel)
DA-70776-B	DA70776B	1	SAFE-T-TIP
7031099	7031099	1	RUBBER TUBING (10')
PT-16321-G6	PT16321G6	1	GUIDE BAR, (power tip) (16")
PT-18321-G6	PT18321G6	1	GUIDE BAR, (power tip) (18")
PT-20321-G6	PT20321G6	1	GUIDE BAR, (power tip) (20")
SP-16321-H6	SP16321H6	1	GUIDE BAR, (sprocket tip) (16")
SP-20321-H6	SP20321H6	1	GUIDE BAR, (sprocket tip) (20")
32-LE50-67	32LE5067	1	CHAIN (32-LE50-67) (16")
32-LE50-73	32LE5073	1	CHAIN (32-LE50-73) (18")
32-LE50-79	32LE5079	1	CHAIN (32-LE50-79) (20")
94194	94194	1	COMPRESSION TESTER
17789	17789	1	CARBURETOR REPAIR TOOL
24306	24306	1	SHIM (.0125")
18416	18416	1	DIGITAL TACHOMETER
18080	18080	1	CLUTCH ASSEMBLY TOOL
24823	24823	1	SEALANT SILICON
A-24824	A24824	1	WRENCH (combination)
A24747A	A24747A	1	PULLER- Magneto Rotor
2498202	2498202	1	T-25 TORX DRIVE BIT
22486	22486	1	SHIM (0.015" AIR GAP)
JA313164	JA313164	1	TESTER (Spark Plug)
A-01182	A01182	1	CLUTCH SPANNER



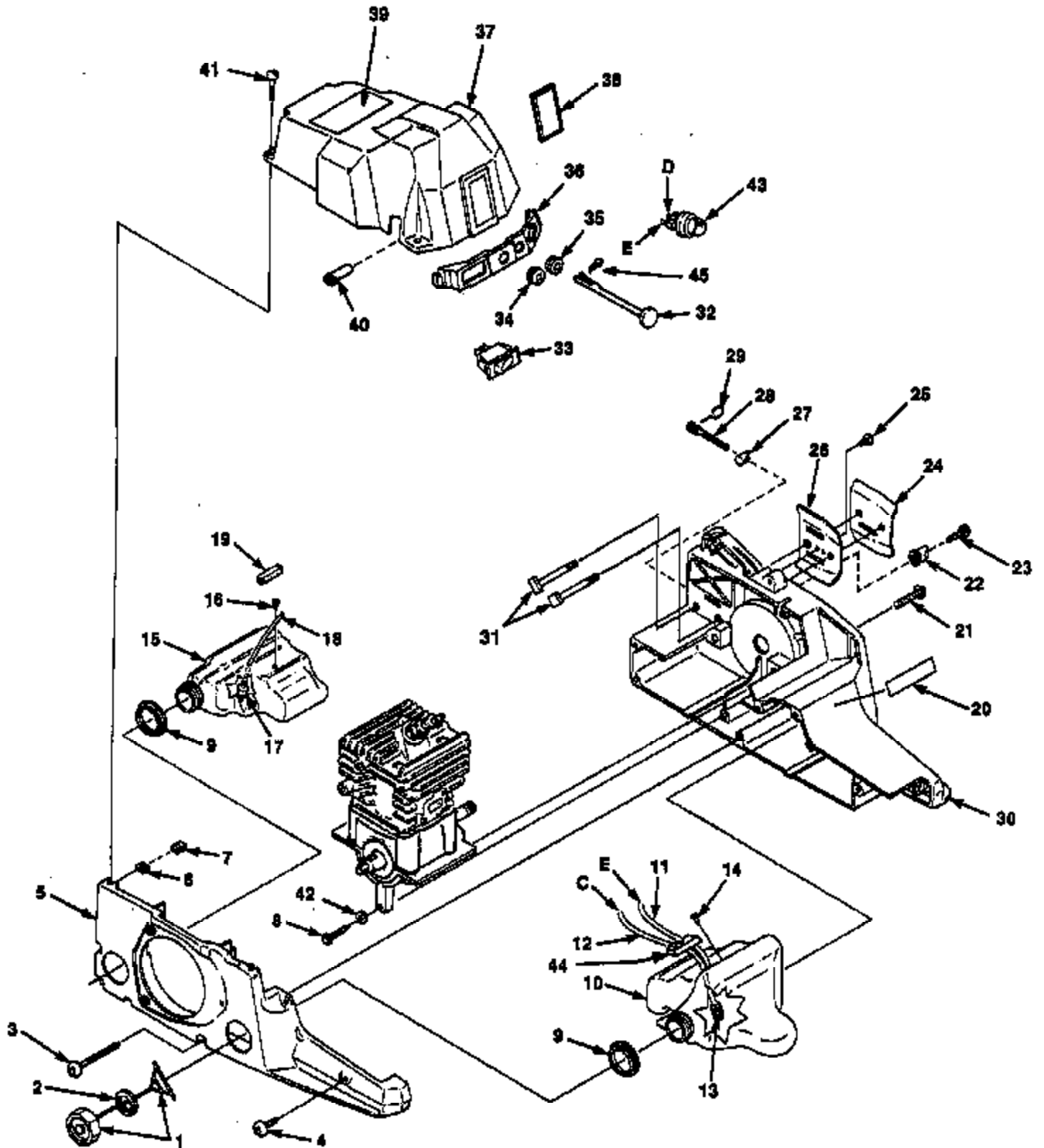
Ref #	Part Number	Qty	Description
1	01727	1	GASKET- Carburetor spacer
2	A03305	1	SPACER- Carburetor
3	03141	1	FOAM- Adhesive
4	00997B	1	CABLE- Throttle
5	82248	2	SCREW- Carburetor spacer
6	84111	1	WASHER
7	82513	1	SCREW (6-19 x 1/2")
8	A01731	1	CARBURETOR- Walbro (HDA-99)
	A02528	1	CARBURETOR- Zama (C3A-H15)
9	98339	1	GASKET
10	0143919	1	TUBING- Rubber
11	7031036	1	TUBING- Rubber
12	01719	1	ELEMENT-Air filter
13	01718	1	BODY- Air filter
14	82544	2	SCREW (8-16 x 2")



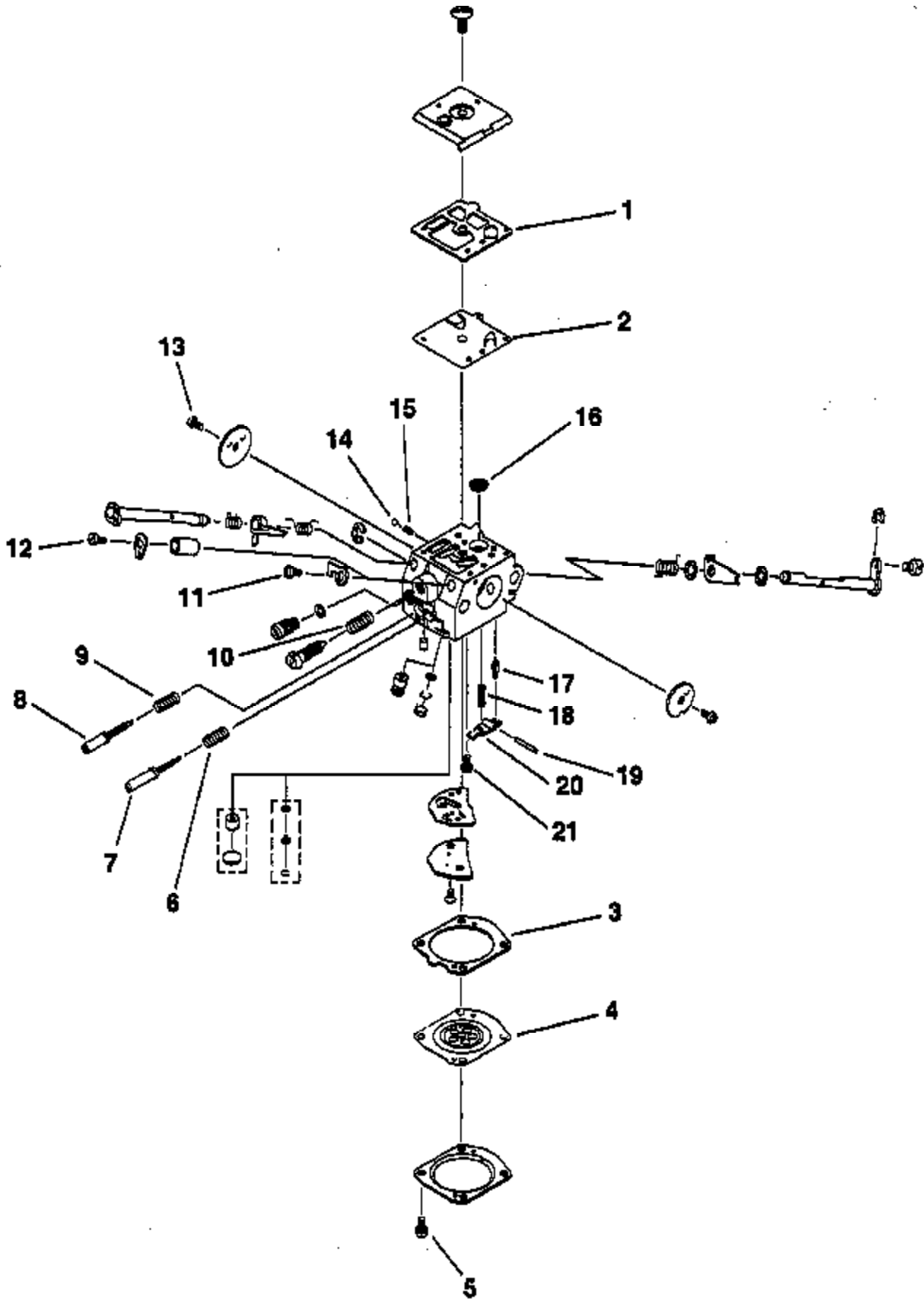
Ref #	Part Number	Qty	Description
1	82546	2	SCREW- (8-16 x 1/2")
2	82566	1	SCREW- (8-16 x 2 1/4")
3	A02580A	1	STARTER HOUSING w/Decal
4	02264	1	GRIP-Starter
5	97899	1	ROPE
6	A97908	1	SPRING & CONTAINER
7	97768A	1	PULLEY
8	017151	1	HOUSING- Starter side
9	94062	1	WASHER- Retainer
10	93417	1	SCREW- Thd. forming (10-24 x 5/8")
11	81124A	1	NUT-Jam
12	83102	1	WASHER- Lock (3/8")
13	A00994A	1	ROTOR & STARTER PAWL ASSY.
14	A02774	1	STARTER PAWL
15	98197	1	SEAL- Shaft
16	289221	1	RING- Retaining
17	A03303	1	CRANKSHAFT ASSY.
18	98797	2	BEARING- Ball
19	75078	1	KEY- Woodruff
20	68512	1	BEARING- Roller
21	A03301	1	PISTON & PIN ASSY.
22	02263A	2	RING- Piston
23	64813	2	RING- Retainer
24	A01546	1	MODULE- Ignition
25	A02597	1	BOOT- Spark plug
26	69326	1	LEAD- Hi Tension
27	95098	1	INSULATOR- Lead
28	A01822A	1	WIRE- Ignition
29	A01821A	1	WIRE- Ground
30	88052	2	SCREW- (10-24 x 7/8")
31	88058	3	SCREW- Sems (10-24)
32	A02555	1	BODY- Muffler
33	01734	1	COVER- Exhaust
34	01733	1	SCREEN- Spark arrestor
35	01729	1	GASKET- Muffler
36	A03302	1	CRANKCASE ASSY.
37	80891	4	SCREWS- (12-24 x 7/8")
38	93858	1	SEAL- Crankshaft
39	00229	1	WORM- Left hand
40	A00769	1	CLUTCH- Spider
41	98292	3	SHOE- Clutch
42	98453	1	SPRING- Clutch
43	58833	1	WASHER- Thrust (Inner)
44	A02990	1	SPLINE & DRUM
45	02999	1	BEARING- Needle
46	03039	1	RACE- Inner
47	03012	1	SPROCKET- (.325 x 8 tooth)
48	65027	1	WASHER
49	81255	1	NUT- Lock hex (3/8-24)
50	02548	1	LINE- Oil
51	A02802A	1	PUMP- Oil
52	82146	2	SCREW- Oil pump (8-32 x 5/8")
53	98217	1	PLUG- Spark (RCJ6Y)
54	82568	4	SCREW- Pan Hd.
55	A03719	1	CYLINDER & GASKET
56	02527	1	GASKET



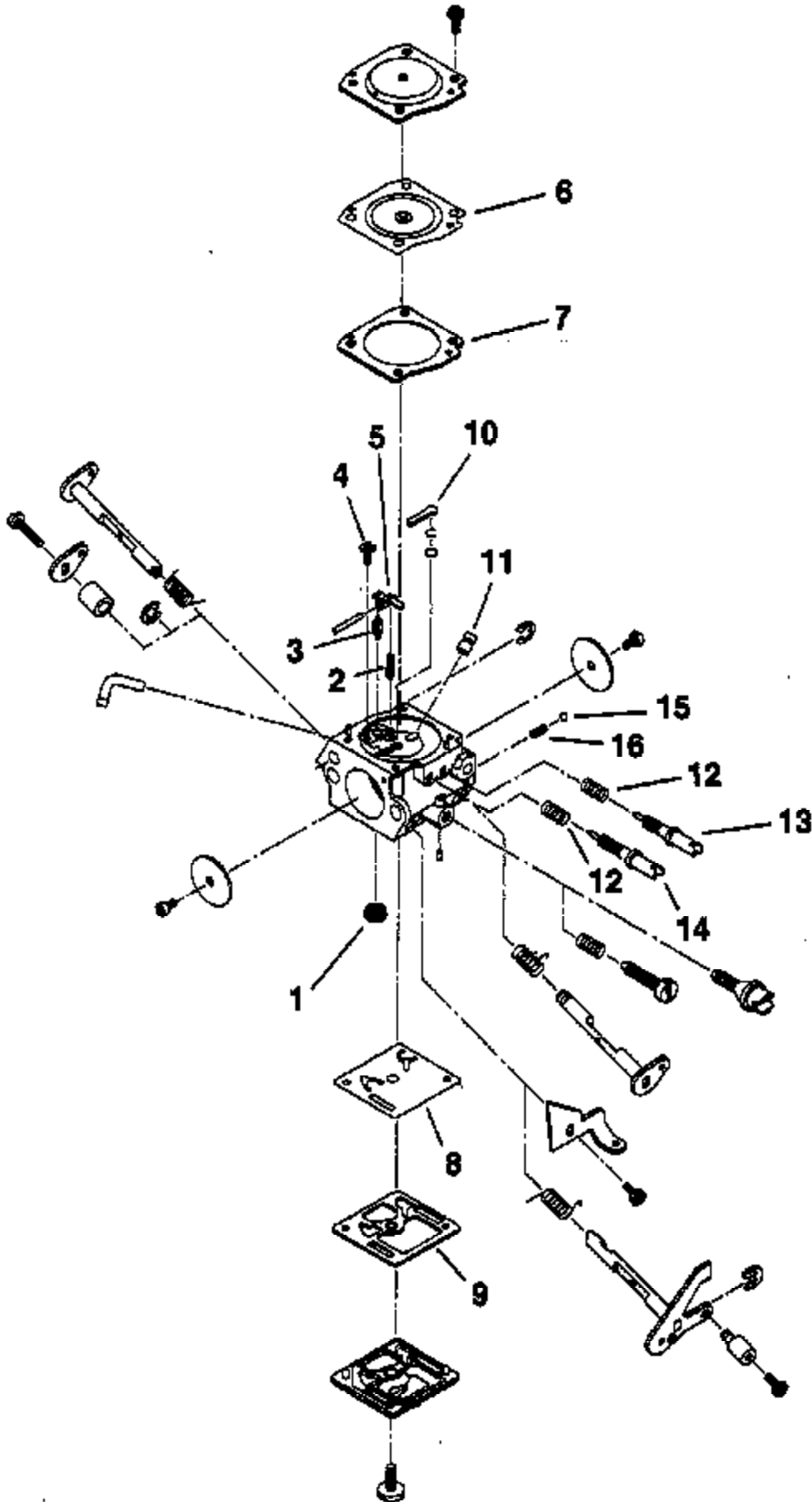
Ref #	Part Number	Qty	Description
1	A02790	1	HANDLE BAR
2	96620	1	SCREW (10-24 x 1/2")
3	01168	1	SPRING- Extension
4	01812A	2	RETAINER- Spring
5	01813	2	SLEEVE- Spring
6	017151	1	HOUSING- Starter side
7	95671	1	PIN- Throttle lock
8	95020	1	SPRING- Compression
9	58409	1	RING- Retaining
10	00210B	1	COVER- Rear handle
11	00997B	1	CABLE- Throttle
12	00211A	1	TRIGGER- Throttle
13	02508	2	ISOLATOR- Vibration
14	01177A	1	SPRING
15	93385A	1	LOCK- Throttle
16	70253	1	PIN- Dowel
17	82513	2	SCREW (6-19 x 1/2")
18	84111	1	WASHER
19	00206C	1	HOUSING- Drive side
20	02561	1	LABLE- Kick back
21	01180	1	RETAINER- Break band
22	A98298A	1	BRAKE BAND ASSEMBLY
23	98447A	1	PIN
24	A00226	1	COVER- Drive case
25	81196	2	NUT- (5/16 x 18)
26	82546	2	SCREW- (8-16 x 5/8")
27	98456	1	PIN
28	00890	1	SPRING- Compression
29	A00888A	1	ADJUSTER- Brake
30	A98317A	1	BRAKE LATCH ASSEMBLY
31	98308	1	SPRING- Coil
32	98461	1	SCREW- Shoulder
33	01820	1	RING- Retainer
34	98422A	1	PIN
35	98457	1	NUT
36	83203	1	WASHER (Belleville)
37	A03306	1	HAND GUARD ASSY.
38	02661	1	DECAL- Safety
39	82218	1	SCREW (10-24 x 1 1/8")
40	81261	2	NUT
41	84008	1	WASHER
42	00209B	1	HANDLE
43	82546	4	SCREW- (8-16 x 5/8")
44	02813	1	SPRING
45	03095	1	SPRING- Trigger



Ref #	Part Number	Qty	Description
1	A00904	2	CAP- Tank (w/retainer)
2	02762	2	GASKET
3	82545	3	SCREW (8-16 x 1 3/4")
4	82546	2	SCREW- (8-16 x 5/8")
5	017151	1	HOUSING- Starter side
6	70810	3	NUT- Square (10-24)
7	95337	3	NUT- Retainer
8	82558	1	SCREW- Thd. forming (10-14 x 1 1/8")
9	00993	2	SEAL- Tank
10	A01811	1	TANK- Fuel
11	7031021	1	TUBING- Rubber
12	7031036	1	TUBING- Rubber
13	49422	1	FILTER- Fuel
14	69451	1	VALVE- Check
15	A01810A	1	TANK- Oil
16	69451	1	VALVE- Check
17	A68593	1	FILTER- Oil
18	7031029	1	TUBING- Rubber
19	02952	1	FILTER- Foam
20	01805	1	DECAL- Panel
21	80864	2	SCREW (12-24 x 1")
22	95212	1	STOP- Chain
23	82537	1	SCREW (10-14 x 7/8")
24	01170	1	PLATE- Guide bar (outer)
25	82513	1	SCREW (6-19 x 1/2")
26	98278	1	PLATE- Guide bar (inner)
27	651121	1	PIN-Adjusting
28	03139	1	SCREW- Adjusting
29	69599	1	RING- Snap
30	A03720	1	HOUSING- Drive side
31	03132	2	BOLT- Guide Bar
32	02262	1	ROD- Choke
33	01802	1	SWITCH
34	69889	1	BOOT- Throttle cable
35	64862	1	GROMMET- Choke
36	01169	1	PANEL- Control
37	A03304	1	COVER- Cylinder Assy.
38	01173A	1	SCREEN- Air inlet
39	02506	1	DECAL- Warning
40	01728	1	GROMMET- Carburetor
41	95792	3	SCREW- (10-24 x .710)
42	83056	1	WASHER- Lock
43	01183	1	BULB- Primer
44	02952	1	FILTER- Foam
45	86334	1	PIN- Cotter



Ref #	Part Number	Qty	Description
1	A03309	1	Repair Kit
	A03310	1	Gasket/Diaphragm Kit
2	A03309	1	Repair Kit
	A03310	1	Gasket/Diaphragm Kit
3	A03309	1	Repair Kit
	A03310	1	Gasket/Diaphragm Kit
4	A03309	1	Repair Kit
	A03310	1	Gasket/Diaphragm Kit
5	A03309	1	Repair Kit
6	A03309	1	Repair Kit
7	A03309	1	Repair Kit
8	A03309	1	Repair Kit
9	A03309	1	Repair Kit
10	A03309	1	Repair Kit
11	A03309	1	Repair Kit
12	A03309	1	Repair Kit
13	A03309	1	Repair Kit
14	A03309	1	Repair Kit
15	A03309	1	Repair Kit
16	A03309	1	Repair Kit
17	A03309	1	Repair Kit
18	A03309	1	Repair Kit
19	A03309	1	Repair Kit
20	A03309	1	Repair Kit
21	A03309	1	Repair Kit



Ref #	Part Number	Qty	Description
1	A03307	1	Repair Kit
2	A03307	1	Repair Kit
3	A03307	1	Repair Kit
4	A03307	1	Repair Kit
5	A03307	1	Repair Kit
6	A03307	1	Repair Kit
	A03308	1	Gasket/Diaphragm Kit
7	A03307	1	Repair Kit
	A03308	1	Gasket/Diaphragm Kit
8	A03307	1	Repair Kit
	A03308	1	Gasket/Diaphragm Kit
9	A03307	1	Repair Kit
	A03308	1	Gasket/Diaphragm Kit
10	A03307	1	Repair Kit
11	A03307	1	Repair Kit
12	A03307	1	Repair Kit
13	A03307	1	Repair Kit
14	A03307	1	Repair Kit
15	A03307	1	Repair Kit
16	A03307	1	Repair Kit