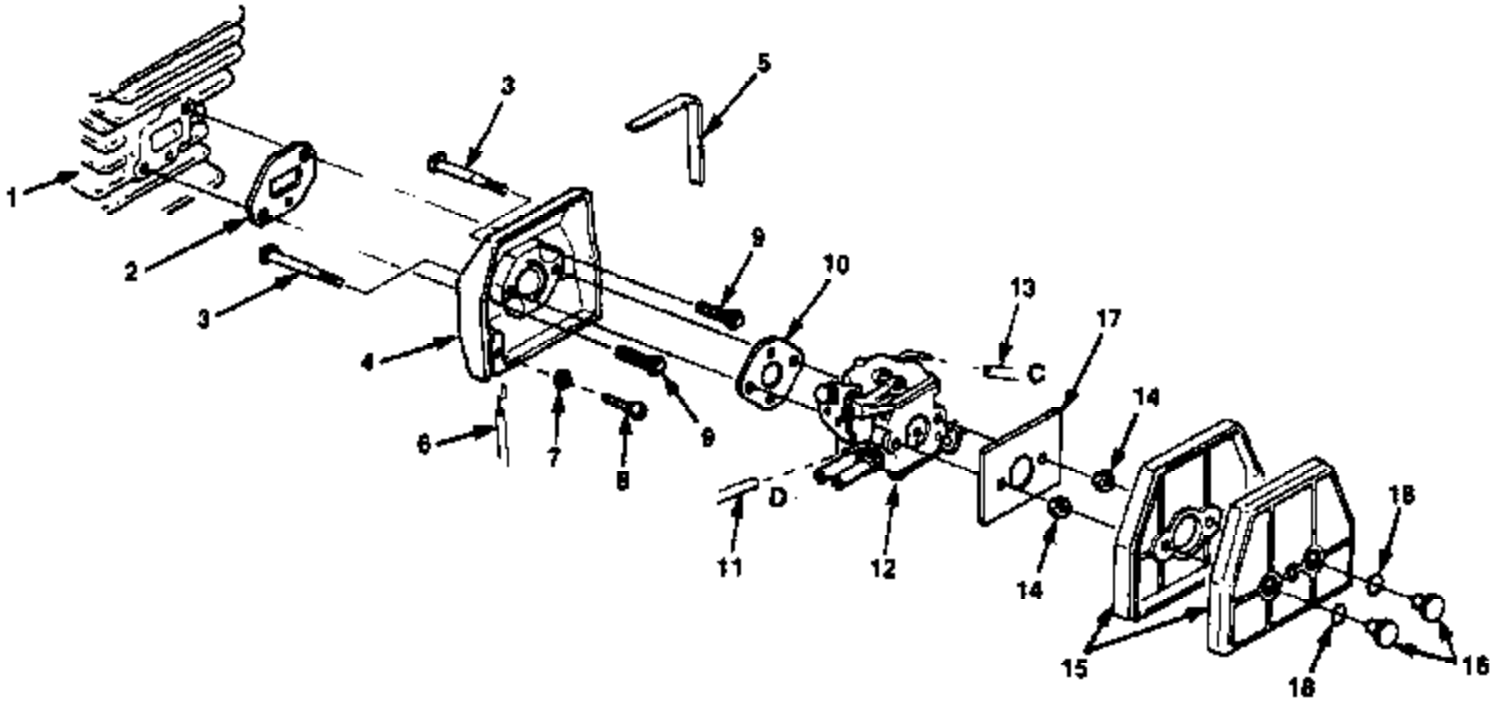


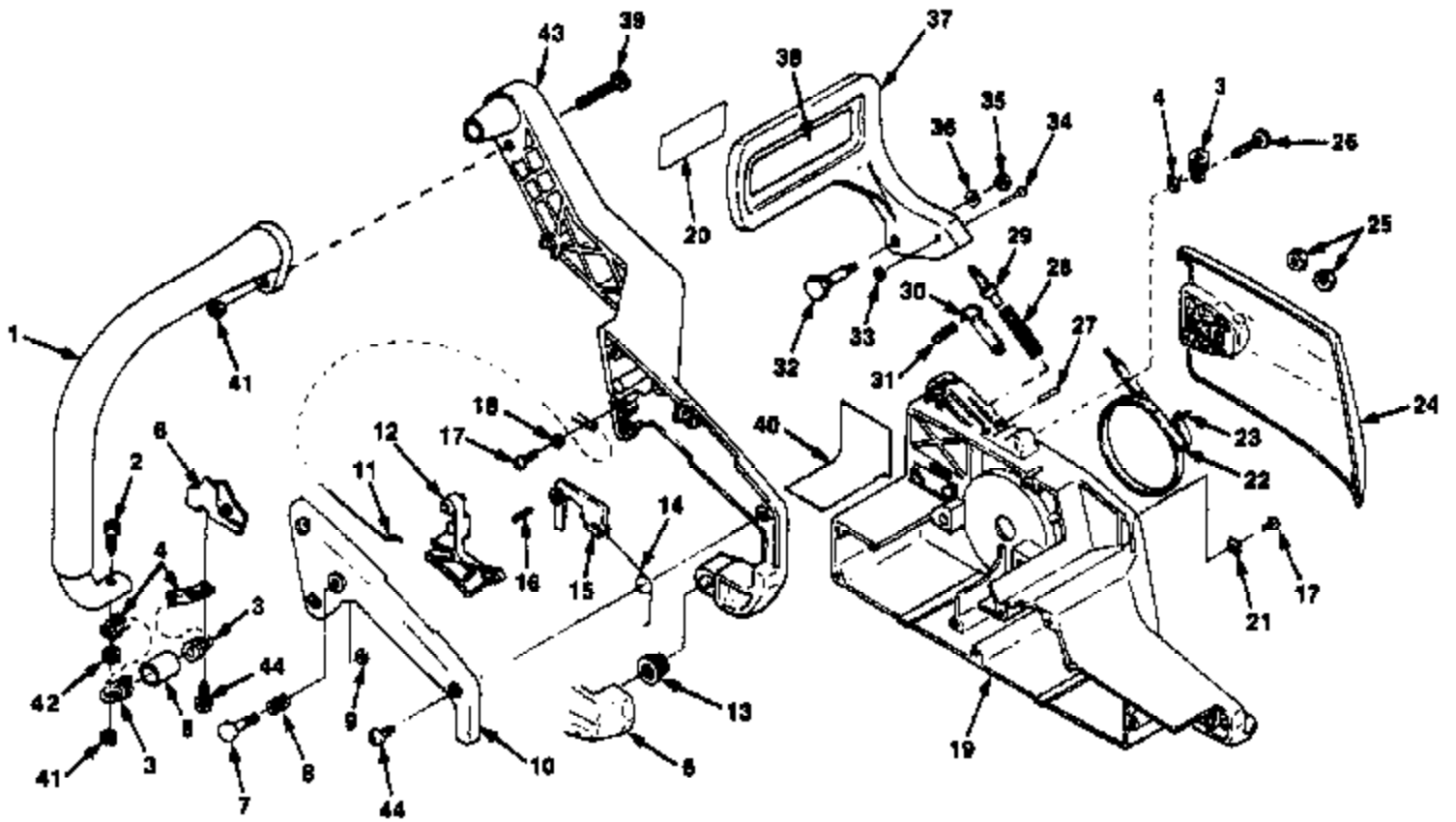
Ref #	Part Number	Qty	Description
A-02177	A02177	1	BUMPER SPIKE KIT
9477299	9477299	1	RUBBER TUBING (10')
18453	18453	1	GREASE- Multi-Purpose (Sprocket bearing-PT guide bar)
98052	98052	1	STARTING ROPE (250ft. Reel)
DA-70776-B	DA70776B	1	SAFE-T-TIP
7031099	7031099	1	RUBBER TUBING (10')
PT-16321-G6	PT16321G6	1	GUIDE BAR, (power tip) (16")
PT-18321-G6	PT18321G6	1	GUIDE BAR (power tip) (18")
PT-20321-G6	PT20321G6	1	GUIDE BAR, (power tip) (20")
SP-16321-H6	SP16321H6	1	GUIDE BAR, (sprocket tip) (16")
SP-20321-H6	SP20321H6	1	GUIDE BAR, (sprocket tip) (20")
32-LE50-67	32LE5067	1	CHAIN (32-LE50-67) (16")
32-LE50-73	32LE5073	1	CHAIN (32-LE50-73) (18")
32-LE50-79	32LE5079	1	CHAIN (32-LE50-79) (20")
94194	94194	1	COMPRESSION TESTER
17789	17789	1	CARBURETOR REPAIR TOOL
24306	24306	1	SHIM (.0125")
18416	18416	1	DIGITAL TACHOMETER
18080	18080	1	CLUTCH ASSEMBLY TOOL
24823	24823	1	SEALANT SILICON
A-24824	A24824	1	WRENCH (combination)
A24747A	A24747A	1	PULLER- Magneto Rotor
2498202	2498202	1	T-25 TORX DRIVE BIT
22486	22486	1	SHIM (0.015" AIR GAP)
JA313164	JA313164	1	TESTER (Spark Plug)
A-01182	A01182	1	CLUTCH SPANNER

BUMPER SPIKE KIT Jeu de crampon d'amortisseur Stoßstangen-Spikeatz Kit della punta del paraurti Juego de punta del parachoques	A-02177	COMPRESSION TESTER Appareil d'essai de compression Verdichtungs-Prüferatz Tester a compression Medidor de compresion	04194
RUBBER TUBING (10') Tubes en caoutchouc (3,05 m) Gummirohr (3,05 m) Dotto di gomma (3,05 m) Tubo de caucho (3,05 m)	94772-00	CARBURETOR REPAIR TOOL Outil de réparation de carburateur Vergaser-Reparaturwerkzeug Atrezzo di riparazione del carburatore Herramienta de reparacion del carburador	17789
GREASE- Multi-Purpose (Sprocket bearing-PT guide bar) Graisse universelle (Pailier de pignon-PT - lame-guide) Mehrzweck-Schmiermittel (Kettenradlager - PT - Führungsschiene) Grasso, multiscopo (Cuscinetto della ruota dentata - PT - barra di guida) Grasa de uso general (Cajinerte de la rueda dentada - PT - barra guía)	18483	SHIM (.0125") Cale (0,31mm) Distanzstück (0,31mm) Zappa (0,31mm) Calce (0,31mm)	24306
STARTING ROPE (250 ft. Reel) Cordon de lanceur (76 m bobine) Startersail (76 m Spule) Cuerda d'arranque (bobina de 76 m) Cuerda de arranque (carrete de 76 m)	98062	DIGITAL TACHOMETER Compte-tours numérique Digital-Drehzahlmesser Tachometro digitale Tachometro digital	18418
SAFE-T-TIP® SAFE-T-TIP® SAFE-T-TIP® SAFE-T-TIP® SAFE-T-TIP®	DA-70776-0	CLUTCH ASSEMBLY TOOL Outil de montage d'embrayage Kupplungszusammenbau-Werkzeug Atrezzo del gruppo frizione Herramienta de armado del embrague	16080
RUBBER TUBING (10') Tubes en caoutchouc (3,05 m) Gummirohr (3,05 m) Dotto di gomma (3,05 m) Tubo de caucho (3,05 m)	70310-00	SEALANT SILICON Matière d'étanchéité au silicone Silicon-Dichtungsmasse Sigillo al silicone Selador de silicio	24823
GUIDE BAR, (power tip) (18") Lame guide, (Extrémité motrice) (40,64cm) Führungsstange, (Antriebspitze) (40,64cm) Lama, (Punta di potenza) (40,64cm) Barra guía, (Punta de potencia) (40,64cm)	PT-16321-00	WRENCH (combination) Clé combinée Schraubenschlüssel Kombination Chiave combinata Llave combinada	A-24824
GUIDE BAR, (power tip) (18") Lame guide, (Extrémité motrice) (45,72cm) Führungsstange, (Antriebspitze) (45,72cm) Lama, (Punta di potenza) (45,72cm) Barra guía, (Punta de potencia) (45,72cm)	PT-16321-G6	FULLER- Magnet Rotor Extracteur, rotor magnétique Abziehwerkzeug-Magnetrotor Rotore d'estrazione a magnete Extractor-rotor de magneto	A-24747-A
GUIDE BAR, (power tip) (20") Lame guide, (Extrémité motrice) (50,80cm) Führungsstange, (Antriebspitze) (50,80cm) Lama, (Punta di potenza) (50,80cm) Barra guía, (Punta de potencia) (50,80cm)	PT-20321-G6	T-25 TORX DRIVE BIT Foret torx T-25 T-25 Torx-Antriebsbit Punta Torx Drive T-25 Broca de empuje T-25 Torx	24962-02
GUIDE BAR, (sprocket tip) (16") Lame guide, (Extrémité à pignon) (40,64cm) Führungsstange, (Kettenradspitze) (40,64cm) Lama, (Punta dentata) (40,64cm) Barra guía, (Punta de rueda dentada) (40,64cm)	SP-16321-H6	SHIM (0.015" AIR GAP) Cale (écart de 0,38 mm) Distanzscheibe (0,38 mm Luftspalt) Spessore (spinterometro 0,38 mm) Suplemento (espacio de 0,38 mm)	22488
GUIDE BAR, (sprocket tip) (20") Lame guide, (Extrémité à pignon) (50,80cm) Führungsstange, (Kettenradspitze) (50,80cm) Lama, (Punta dentata) (50,80cm) Barra guía, (Punta de rueda dentada) (50,80cm)	SP-20321-H6	TESTER (Spark Plug) Appareil de contrôle (Bougie) Prüferatz (Zündkerze) Tester (candela) Probador de bujía	JA-31318-4
CHAIN (32-LE50-67) (18") Chaîne (32-LE50-67) (40,64cm) Kette (32-LE50-67) (40,64cm) Catena (32-LE50-67) (40,64cm) Cadena (32-LE50-67) (40,64cm)		CLUTCH SPANNER Clé à embrayage Kupplungs-Gabelschlüssel Chiave della frizione Llave para embrague	A-01182
CHAIN (32-LE50-73) (18") Chaîne (32-LE50-73) (45,72cm) Kette (32-LE50-73) (45,72cm) Catena (32-LE50-73) (45,72cm) Cadena (32-LE50-73) (45,72cm)			
CHAIN (32-LE50-79) (20") Chaîne (32-LE50-79) (50,80cm) Kette (32-LE50-79) (50,80cm) Catena (32-LE50-79) (50,80cm) Cadena (32-LE50-79) (50,80cm)			

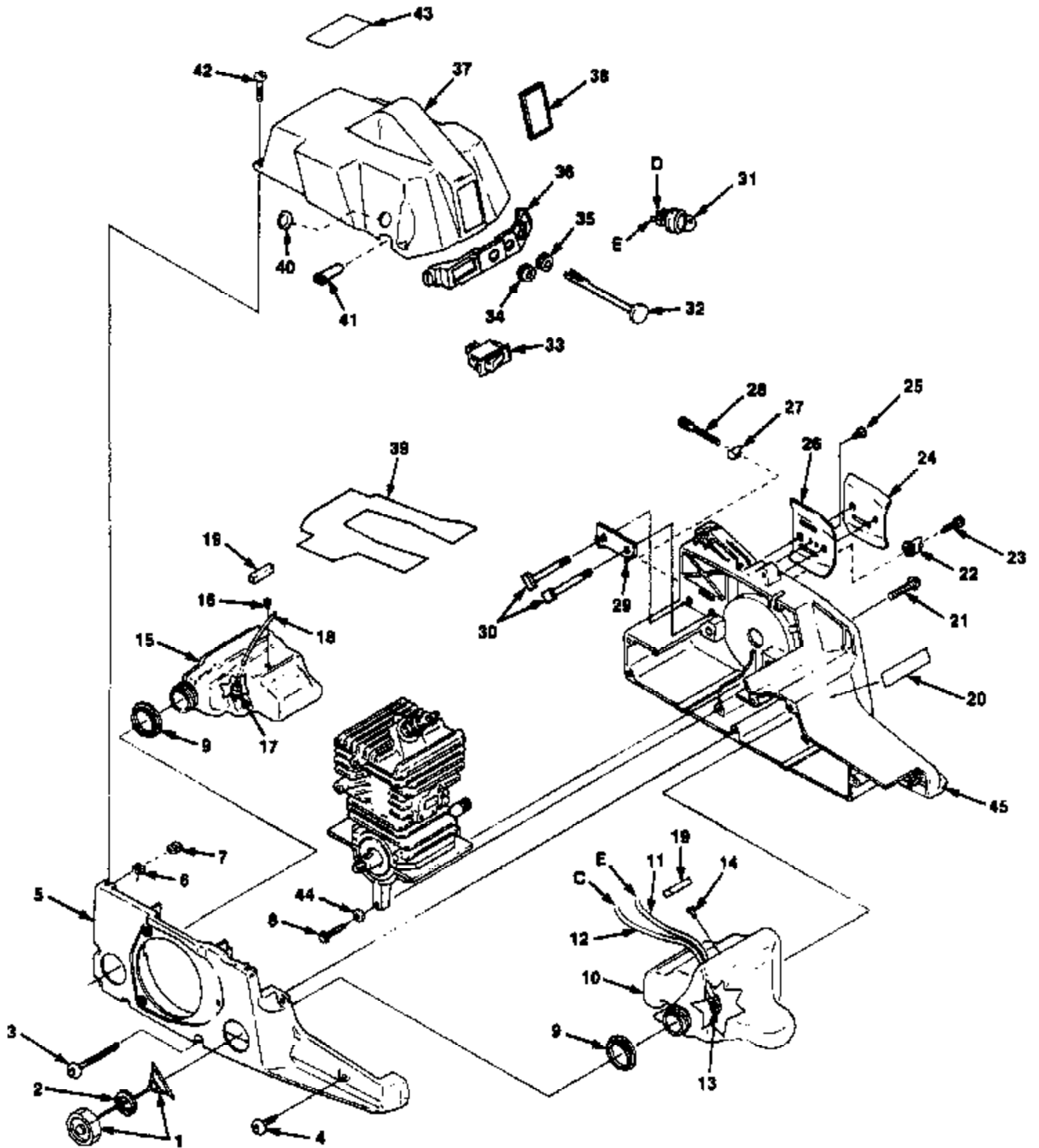
Ref #	Part Number	Qty	Description
A-02177	A02177	1	BUMPER SPIKE KIT
9477299	9477299	1	RUBBER TUBING (10')
18453	18453	1	GREASE- Multi-Purpose (Sprocket bearing-PT guide bar)
98052	98052	1	STARTING ROPE (250ft. Reel)
DA-70776-B	DA70776B	1	SAFE-T-TIP
7031099	7031099	1	RUBBER TUBING (10')
PT-16321-G6	PT16321G6	1	GUIDE BAR, (power tip) (16")
PT-18321-G6	PT18321G6	1	GUIDE BAR (power tip) (18")
PT-20321-G6	PT20321G6	1	GUIDE BAR, (power tip) (20")
SP-16321-H6	SP16321H6	1	GUIDE BAR, (sprocket tip) (16")
SP-20321-H6	SP20321H6	1	GUIDE BAR, (sprocket tip) (20")
32-LE50-67	32LE5067	1	CHAIN (32-LE50-67) (16")
32-LE50-73	32LE5073	1	CHAIN (32-LE50-73) (18")
32-LE50-79	32LE5079	1	CHAIN (32-LE50-79) (20")
94194	94194	1	COMPRESSION TESTER
17789	17789	1	CARBURETOR REPAIR TOOL
24306	24306	1	SHIM (.0125")
18416	18416	1	DIGITAL TACHOMETER
18080	18080	1	CLUTCH ASSEMBLY TOOL
24823	24823	1	SEALANT SILICON
A-24824	A24824	1	WRENCH (combination)
A24747A	A24747A	1	PULLER- Magneto Rotor
2498202	2498202	1	T-25 TORX DRIVE BIT
22486	22486	1	SHIM (0.015" AIR GAP)
JA313164	JA313164	1	TESTER (Spark Plug)
A-01182	A01182	1	CLUTCH SPANNER



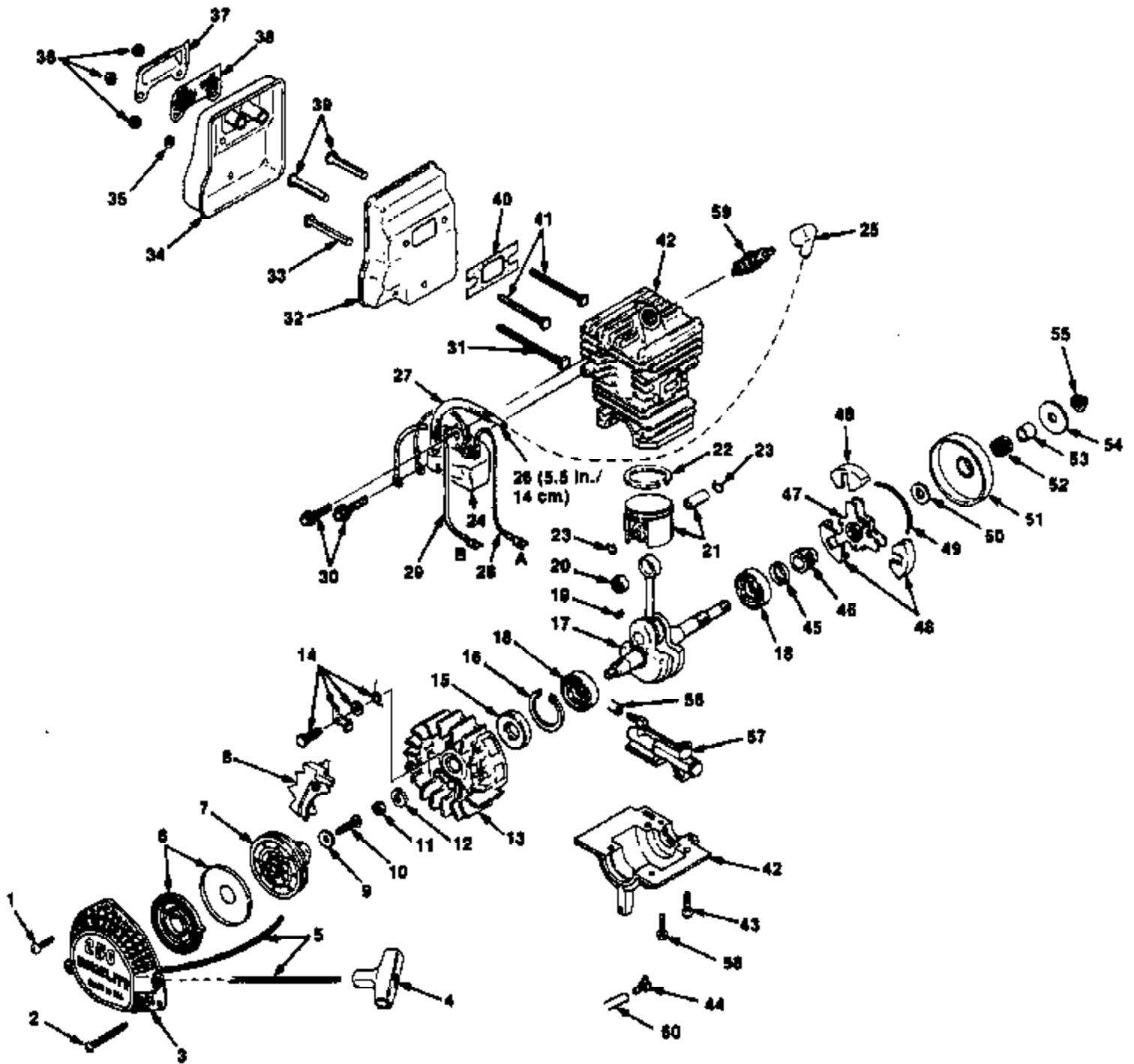
Ref #	Part Number	Qty	Description
1	A02577B	1	CYLINDER
2	01029	1	GASKET- Carburetor spacer
3	00905A	1	SCREW- Carburetor spacer
4	A02583	1	SPACER- Carburetor
5	01823	1	FOAM- Adhesive
6	00997B	1	CABLE- Throttle
7	84123	1	WASHER
8	82513	1	SCREW- Thread forming
9	82430	2	SCREW- Mach. hex hd.
10	98339	1	GASKET- Carburetor
11	9311219	1	TUBING- Rubber
12	A03032	1	CARBURETOR- Walbro (WT-185)
	A02585	1	CARBURETOR- Zama (CZQ-H14)
13	7031036	1	TUBING- Rubber
14	81009	2	NUT- Hex (8/32)
15	A02582	1	AIR FILTER ASSEMBLY
16	01178	2	NUT- Retainer
17	02695	1	RETAINER- Air filter
18	02718	2	O-RING



Ref #	Part Number	Qty	Description
1	A02790	1	HANDLE BAR
2	96620	1	SCREW
3	01168	2	SPRING
4	01812A	2	RETAINER- Spring
5	01813	2	SLEEVE
6	002071A	1	HOUSING- Starter side
7	95671	1	PIN-Throttle lock
8	95020	1	SPRING- Compression
9	58409	1	RING- Retaining
10	00210A	1	COVER- Rear handle
11	00997A	1	CABLE- Throttle
12	00211A	1	TRIGGER-Throttle
13	02508	2	ISOLATOR
14	01177A	1	SPRING- Throttle
15	93385A	1	LOCK- Throttle
16	70253	1	PIN- Dowel
17	82513	1	SCREW
18	84123	1	WASHER
19	00206C	1	HOUSING- Drive side
20	02561	1	LABLE- Kick back
21	01180	1	RETAINER
22	A98298A	1	BRAKE BAND ASSEMBLY
23	98447A	1	PIN
24	A00226	1	COVER- Drive case
25	81196	2	NUT- Hex
26	82546	2	SCREW- (8-16 x 5/8")
27	98456	1	PIN
28	00890	1	SPRING- Compression
29	A00888A	1	ADJUSTER- Brake
30	A98317A	1	BRAKE LATCH ASSEMBLY
31	98308	1	SPRING- Coil
32	98461	1	SCREW- Shoulder
33	01820	1	RING- Retainer
34	98422A	1	PIN
35	98457	1	NUT- (M5)
36	83203	1	WASHER
37	00805A	1	GUARD- Hand
38	02661	1	DECAL- Safety
39	82218	1	SCREW
40	02743	1	DEFLECTOR- Heat
41	81261	2	NUT- Hex
42	84008	1	WASHER
43	00209B	1	HANDLE
44	82546	5	SCREW- (8-16 x 5/8")

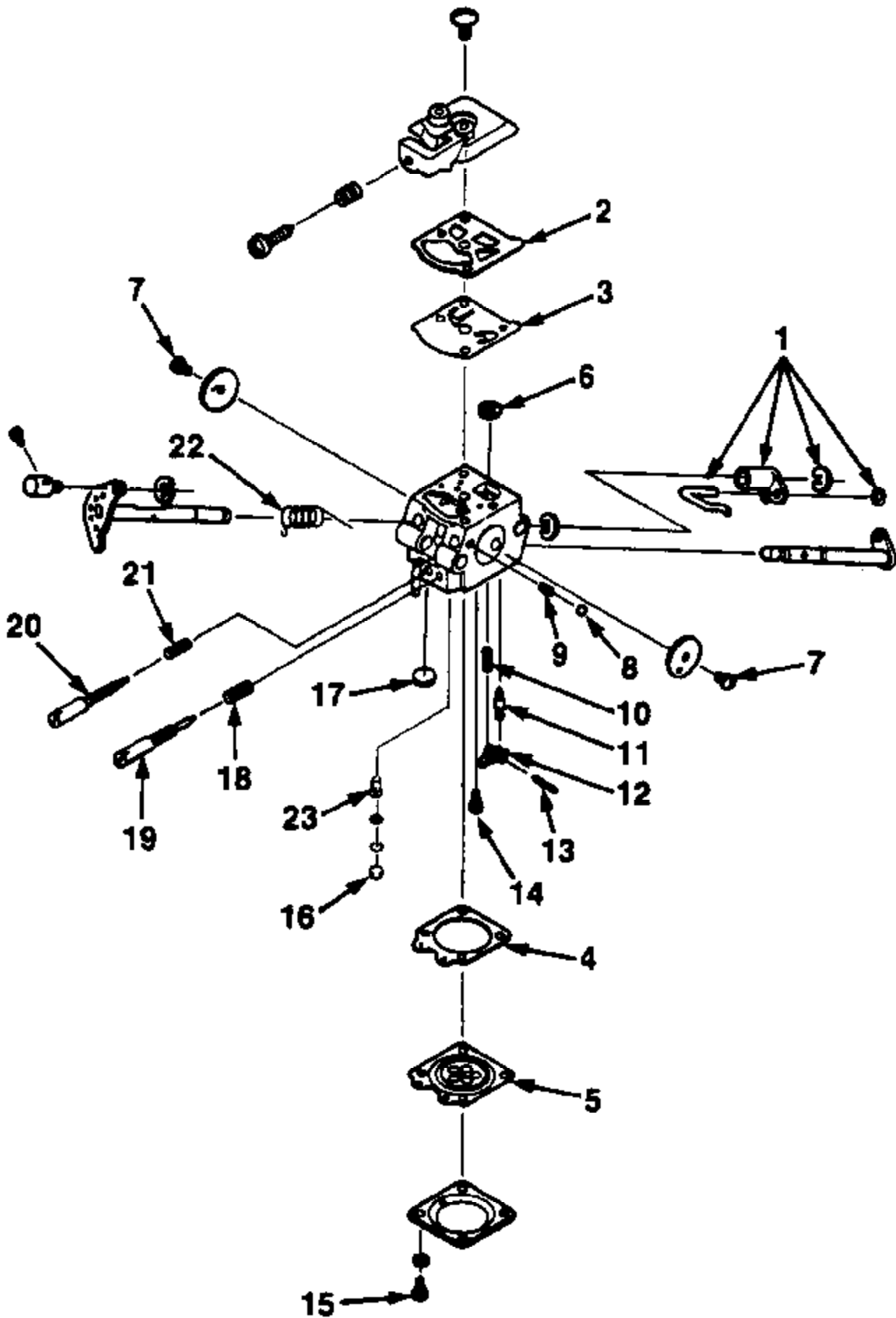


Ref #	Part Number	Qty	Description
1	A00904	2	CAP- Tank (w/retainer)
2	02762	2	GASKET
3	82545	3	SCREW
4	82546	2	SCREW- (8-16 x 5/8")
5	002071A	1	HOUSING- Starter side
6	70810	3	NUT- Square (10-24)
7	95337	3	NUT- Retainer
8	82558	1	SCREW- Thd. forming
9	00993	2	SEAL- Tank
10	A01811	1	TANK- Fuel
11	7031021	1	TUBING- Rubber (5 1/4")
12	7031036	1	TUBING- Rubber (9")
13	49422	1	FILTER- Fuel
14	69451	1	VALVE- Check
15	A01810A	1	TANK- Oil
16	69451	1	VALVE- Check
17	A68593	1	FILTER- Oil
18	7031027	1	TUBING- Rubber
19	69443	2	FILTER- Valve
20	01805	1	DECAL- Instruction
21	80864	2	SCREW
22	95212	1	STOP- Chain
23	82537	1	SCREW
24	01170	1	PLATE- Guide bar (outer)
25	82513	1	SCREW
26	98278	1	PLATE- Guide bar (inner)
27	651121	1	PIN- Guide bar adjusting
28	03139	1	SCREW- Guide bar adjusting
29	01809A	1	PLATE- Guide bar stud
30	03132	2	BOLT- Guide bar
31	01183	1	BULB- Primer bulb
32	01527A	1	ROD- Choke
33	01802	1	SWITCH
34	69889	1	BOOT- Throttle rod
35	64862	1	GROMMET
36	01169	1	PANEL- Control
37	A02581A	1	COVER- Cylinder
38	01173	1	SCREEN- Air inlet
39	01181	1	FOAM- Adhesive
40	01179A	1	PLUG- Idle speed
41	01172	1	GROMMET- Hi/Lo
42	95792	3	SCREW- Rd. hd.
43	02506	1	LABEL- Warning
44	83056	1	WASHER- Lock
45	00206C	1	HOUSING- Drive side

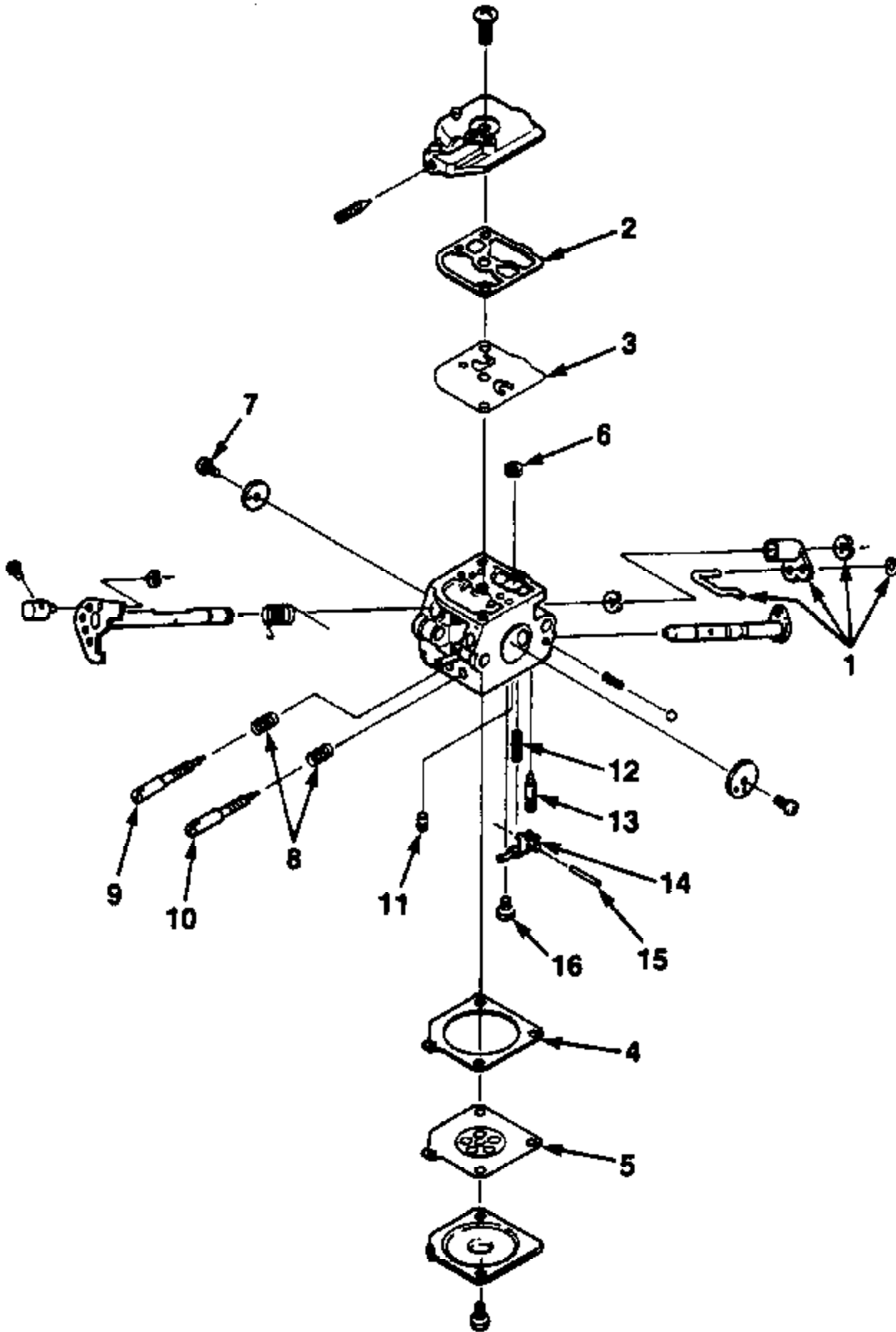


Ref #	Part Number	Qty	Description
1	82546	2	SCREW- (8-16 x 5/8")
2	82544	1	SCREW- (8-16 x 2")
3	A02580A	1	STARTER HOUSING w/Decal
4	02264	1	GRIP-Starter
5	97899	1	ROPE
6	A97908	1	SPRING & CONTAINER
7	97768A	1	PULLEY
8	002071A	1	HOUSING- Starter side
9	94062	1	WASHER- Retainer
10	93417	1	SCREW- Thd. forming (10-24 x 5/8")
11	81124A	1	NUT- Jam
12	83102	1	WASHER- Lock (3/8")
13	A00994B	1	ROTOR & STARTER PAWL ASSY.
14	A02774	1	STARTER PAWL
15	98197	1	SEAL- Shaft
16	289221	1	RING- Retaining
17	A02573	1	CRANKSHAFT
18	98797	2	BEARING- Ball
19	75078	1	KEY- Woodruff
20	68512	1	BEARING- Roller
21	A02579	1	PISTON & PIN
22	01545	1	RING- Piston
23	64813	2	RING- Retainer
24	A01546	1	MODULE- Ignition
25	A02597	1	BOOT- Spark plug
26	69326	1	LEAD- Hi Tension
27	95098	1	INSULATOR- Lead
28	A01822A	1	WIRE- Ignition
29	A01821A	1	WIRE- Ground
30	88052	2	SCREW- (10-24 x 7/8")
31	02176	1	SCREW- Square hd. (10-32 x 2 1/2")
32	A01538	1	BODY- Muffler
33	9398311	1	SPACER- Muffler
34	A01539A	1	COVER- Muffler
35	84003	1	WASHER- Flat #10
36	81206	3	NUT- Hex 10-32
37	01531A	1	COVER- Exhaust
38	01532	1	SCREEN- Spark arrestor
39	9398310	2	SPACER- Muffler
40	01543	1	GASKET- Muffler
41	02509	2	SCREW- (10-32 x 2 1/4")
42	A02577A	1	CYLINDER & CRANKCASE
43	80891	4	SCREW-Hex hd.
44	98109	1	FITTING- Oil tube
45	93858	1	SEAL- Crankshaft
46	00229	1	WORM- Left hand
47	A00769	1	SPIDER- Clutch
48	98292	3	SHOE- Clutch
49	98453	1	SPRING- Clutch
50	65027	1	WASHER- Thrust
51	00996A	1	SPROCKET & DRUM
52	64333	1	BEARING- Needle
53	69423	1	RACE- Inner
54	65064	1	WASHER- Thrust
55	81255	1	NUT- Hex Lock 3/8-24
56	02548	1	LINE- Oil
57	A02802A	1	PUMP- Oil
58	82146	2	SCREW

Ref #	Part Number	Qty	Description
59	93561S	1	PLUG- Spark
60	7031027	1	TUBING- Rubber



Ref #	Part Number	Qty	Description
1	A02675	1	CHOKE LINK KIT
2	A02587	1	REPAIR KIT
	A02588	1	GASKET/DIA. KI
3	A02587	1	REPAIR KIT
	A02588	1	GASKET/DIA. KI
4	A02587	1	REPAIR KIT
	A02588	1	GASKET/DIA. KI
5	A02587	1	REPAIR KIT
	A02588	1	GASKET/DIA. KI
6	A02587	1	REPAIR KIT
7	A02587	1	REPAIR KIT
8	A02587	1	REPAIR KIT
9	A02587	1	REPAIR KIT
10	A02587	1	REPAIR KIT
11	A02587	1	REPAIR KIT
12	A02587	1	REPAIR KIT
13	A02587	1	REPAIR KIT
14	A02587	1	REPAIR KIT
15	A02587	1	REPAIR KIT
16	A02587	1	REPAIR KIT
17	A02587	1	REPAIR KIT
18	A02587	1	REPAIR KIT
19	A02587	1	REPAIR KIT
20	A02587	1	REPAIR KIT
21	A02587	1	REPAIR KIT
22	A02587	1	REPAIR KIT
23	02589	1	MAIN NOZZLE



Ref #	Part Number	Qty	Description
1	A02675	1	CHOKE LINK KIT
2	A02591	1	USE A03905
	A02590	1	USE A03904
3	A02591	1	USE A03905
	A02590	1	USE A03904
4	A02591	1	USE A03905
	A02590	1	USE A03904
5	A02591	1	USE A03905
	A02590	1	USE A03904
6	A02591	1	USE A03905
7	A02591	1	USE A03905
8	A02591	1	USE A03905
9	A02591	1	USE A03905
10	A02591	1	USE A03905
11	A02591	1	USE A03905
12	A02591	1	USE A03905
13	A02591	1	USE A03905
	02593	1	INLET NEEDLE
14	A02591	1	USE A03905
15	A02591	1	USE A03905
16	A02591	1	USE A03905