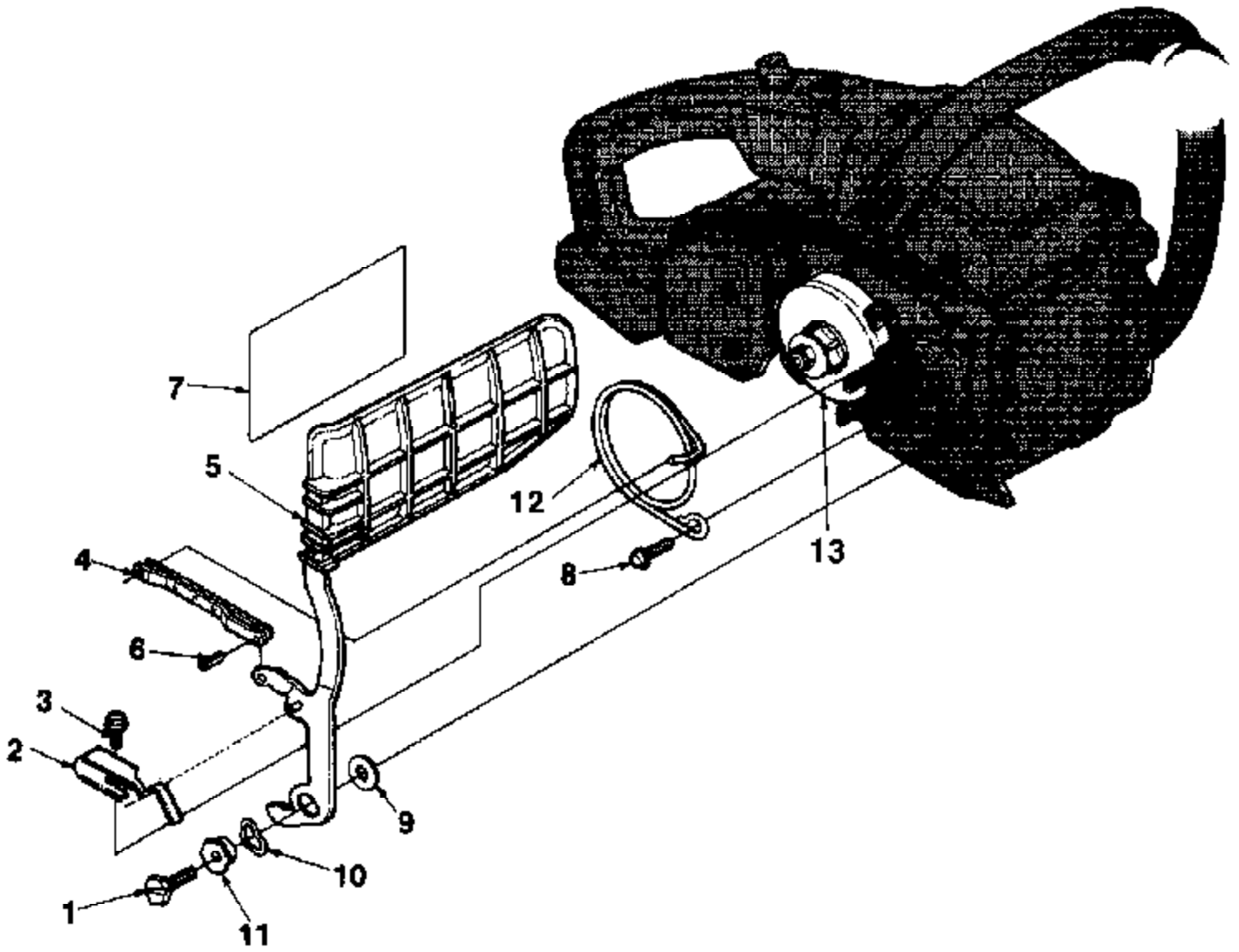
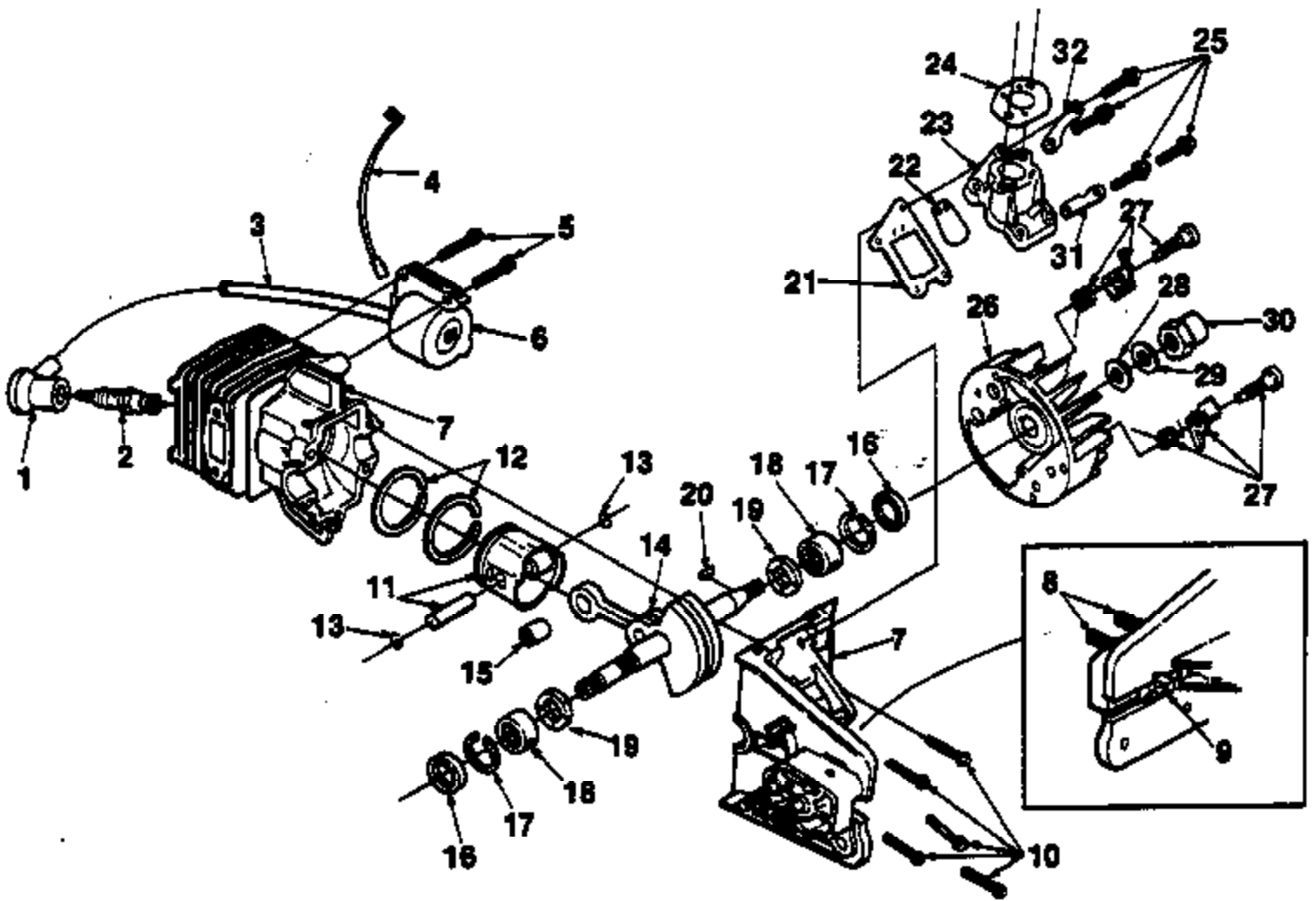


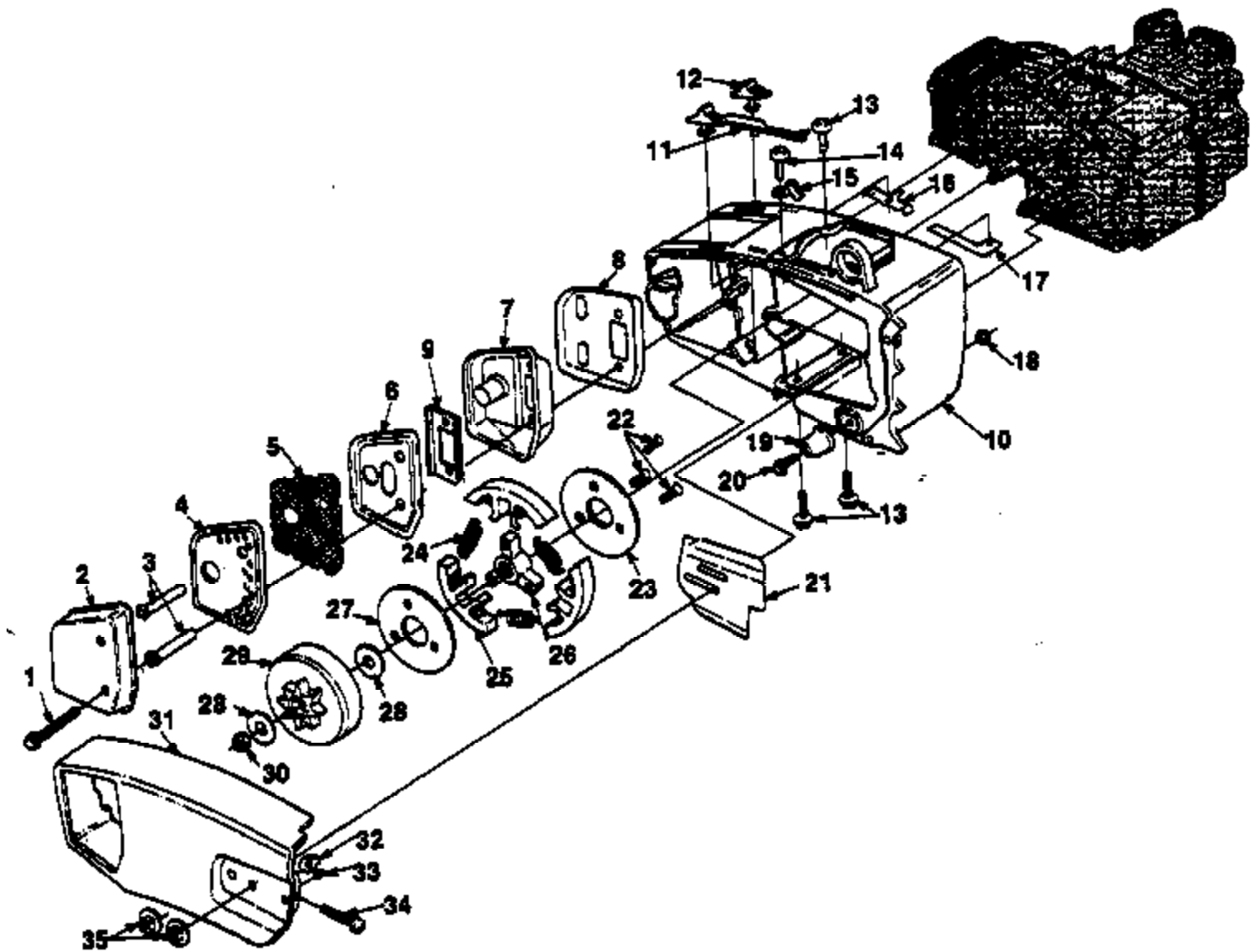
Ref #	Part Number	Qty	Description
1	80870	1	SCREW- 10-32 x 3/8
2	84003	2	WASHER- Flat #10
3	96224	1	CHAMBER- Carburetor
4	97076	1	SPRING- Throttle lock
5	96213	1	INTERLOCK- Trigger
6	96225	1	COVER- Handle
7	97072	1	BUTTON- Oil pump
8	A95297	1	COVER- Air filter (245 SL only)
	97596	1	SCREW- Retaining
9	70771	5	SCREW- #10 x 3/4
10	81266	1	NUT- Hex (15/32 x 32)
11	96576	1	NUT- Speed
12	58409	1	RING- Retaining
13	95020	1	SPRING- Compression
14	95671	1	PIN- Throttle lock
15	70810	3	NUT- Square 10-24
16	95337	2	RETAINER- Nut
17	A96778	1	LINE- Pulse 3 1/4"
	95216	2	SPRING (not shown)
18	7031018	1	TUBING- (Oil outlet) 4 1/2" (Auto)
19	82312	1	SCREW- Plastic #10 x 5/8
20	A93573A	1	GUARD- Hand (w/cover) (245HG only)
21	95217	1	SCREW- Retaining
22	A97524	1	BODY- Oil pump
23	69447	1	SPRING- Oil pump
24	A95070	1	PLUNGER- Oil pump
25	96480	1	"O" RING
26	94919	1	COVER- Oil pump
27	82380	2	SCREW- Plastite #8-16 x 5/8
28	95375	1	RETAINER- Nut
29	96818	1	SCREW- Soc. hd. cap( 10-24 x 1 5/8)
30	96210	1	GROMMET
31	96209	1	TRIGGER- Throttle
32	97096	1	CABLE- Control
33	97081	1	PUMP- Manual oil
34	7031027	2	TUBING- 6 3/4"
35	96953	1	COVER- Air filter
36	95217	1	SCREW- Retaining
37	96952	1	FILTER- Air
38	96176	2	SCREW- Mach/hex 10-24 x 1 5/8
39	96951	1	BASE- Air filter
40	A97167	1	CARBURETOR- (Zama CIS-H8)
	A97168	1	CARBURETOR- (Walbro WT-19)
41	81256	1	NUT- Lock hex (10-24)
42	96053	1	ISOLATOR- Shear
43	70432A	2	RING- Vibration isolator
44	95868	1	ISOLATOR
45	70433	1	SPACER-
46	82218	2	SCREW- Hex (10-24 x 1 1/8)
47	96901	1	PLATE- Handle bar
48	97600	1	DECAL- Warning
49	97679	1	SLEEVE



Ref #	Part Number	Qty	Description
1	80048	1	SCREW- Hex cap 1/4-20 x 5/8
2	95406	1	CLIP- Retaining
3	88048	1	SCREW- Hex Sems 10-24 x 3/8
4	A70767	1	LINK- Pivot
5	A97179	1	HAND GUARD
6	95395	1	PIN- Roll
7	96990	1	DECAL
8	88050	1	SCREW- Hex Sems 10-24 x 5/8
9	95397	1	WASHER- Thrust
10	95486	1	WASHER- Curved
11	96170	1	CAM- Brake lever
12	95482	1	BAND- Brake
13	A97056	1	SPROCKET & DRUM .325P-8T
	68512	1	BEARING (not shown)

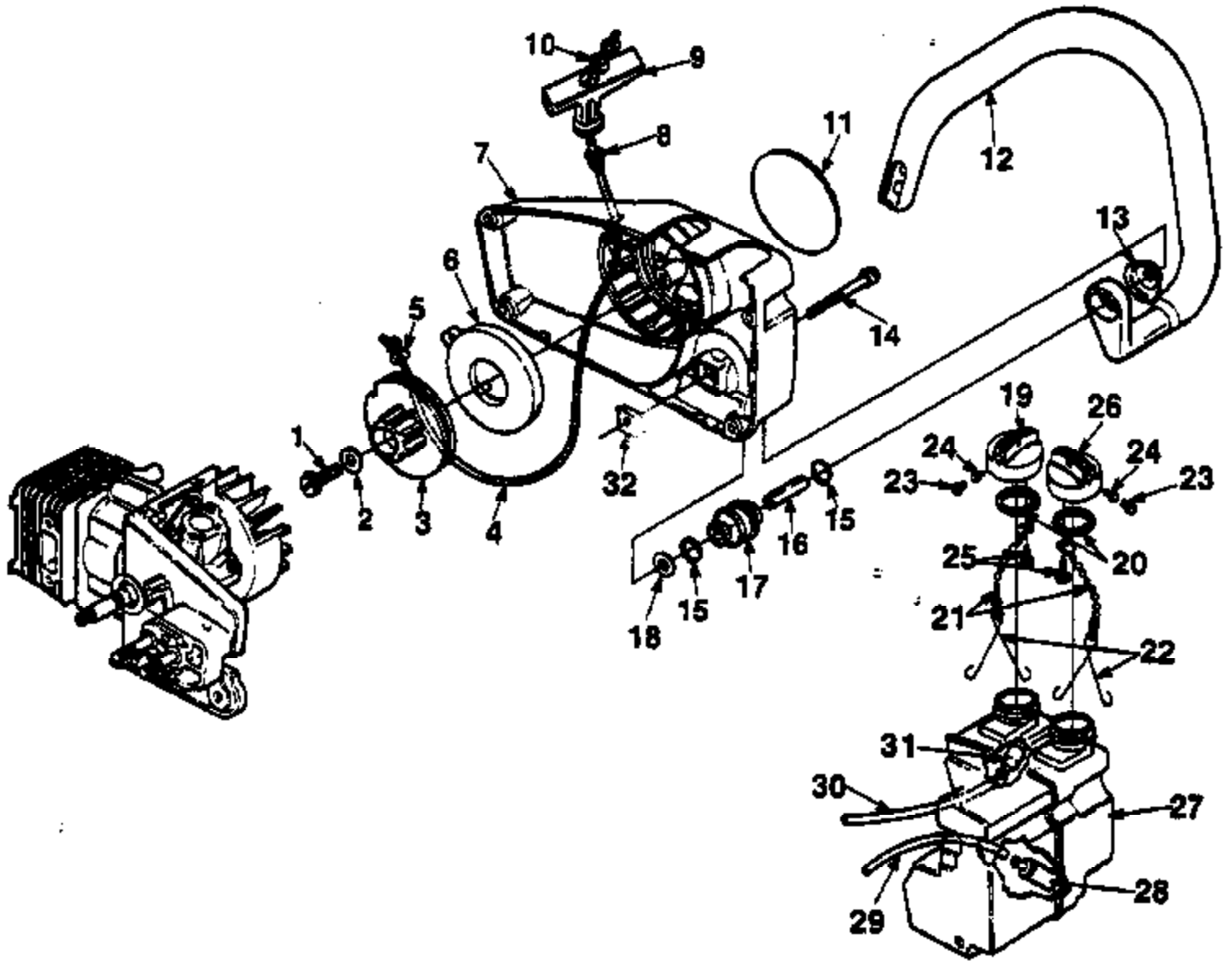


Ref #	Part Number	Qty	Description
1	A94754	1	TERMINAL- High tension lead
2	96169S	1	SPARK PLUG (DJ-7Y)
3	69326	1	LEAD- High tension
4	A96378	1	LEAD- Ground
5	82430	2	SCREW- Mach., hex hd. 8-32 x 7/8
6	947111	1	MODULE- Ignition (Includes items #1 and #3)
7	A96753A	1	CRANKCASE & CYLINDER
8	96083	2	BOLT- Guide bar
9	50558	1	FITTING
10	96624	5	SCREW- 10-24 x 1 1/8
11	A96751A	1	PISTON & PIN
12	94916	2	PISTON RINGS
13	65261	2	RING- Retaining
14	A96752	1	CRANKSHAFT
15	97125	1	BEARING- Needle
16	94638	2	SEAL- Shaft
17	68514	2	RING- Retaining
18	12530	2	BEARING- Needle
19	95492	2	BEARING- Thrust
20	69250	1	KEY- Magneto
21	94873	1	GASKET- Manifold
22	95983	1	REED
23	948721	1	MANIFOLD- Intake
24	95022A	1	GASKET- Carburetor
25	82291	4	SCREW- Hex washer 8-32 x 5/8
26	A95007	1	ROTOR- Magneto
27	A70285D	1	PAWL- Starter
28	84065	1	WASHER- Flat 5/16
29	83002	1	WASHER- Lock 5/16
30	96255	1	NUT- Guide
31	96540	1	WASHER- Intake manifold
32	96539	1	WASHER- Intake manifold



Ref #	Part Number	Qty	Description
	A96931	1	MUFFLER- Complete
1	95005	2	SCREW
2	948871	1	CAP- Muffler
3	9398308	2	SPACER
4	96928	1	BAFFLE- Muffler
5	956371	1	SCREEN- Spark arrestor
6	948881	1	BAFFLE- Muffler
7	A96930	1	BODY- Muffler
8	96925	1	DEFLECTOR- Exhaust
9	94889	1	PLATE- Muffler
10	A96754	1	HOUSING- Engine
11	95050	1	BUTTON- Choke
12	95086A	1	BUTTON- Stop switch
13	88063	3	SCREW- Hex Sems 10-24 x 5/8
14	88050	1	SCREW- 10-24 x .625
15	94864	1	BRACKET- Cable
16	95087	1	SPRING- Stop switch
17	95091	1	CONTACT- Stop switch
18	81256	1	NUT- Lock 10-24
19	95212	1	STOP- Chain
20	82298	1	SCREW- Mach hex 10-24 x 5/8
21	95390	1	PLATE- Guide bar
22	97605	3	SCREW- Flat hd. 7/16-18
23	969191	1	COVER- Clutch (outer)
24	97053	3	SPRING- Ext.
25	A96749	3	SHOE- Clutch
26	96748	1	SPIDER- Clutch
27	96919	1	COVER- Clutch (inner)
28	95299	2	WASHER- Thrust
29	A97172	1	SPROCKET & DRUM (37/375 chain only) 6T
	A97056	1	SPROCKET & DRUM (325P, 8T)
	68512	1	BEARING- Needle
	A96522	1	SPROCKET & DRUM w/bearing (optional)
	A95458	1	SPROCKET & DRUM 3/8", 7T
	64124	1	BEARING- Needle
	65746B	1	RACE- Inner
30	81112	1	NUT- Lock 5/16-24
31	A97057	1	COVER- Drivecase
32	692541A	1	PIN- Guide bar adjusting
33	93574	1	"E" RING
34	93575	1	SCREW- Guide bar adjusting
35	81258	2	NUT- Flange 1/4-20





Ref #	Part Number	Qty	Description
1	70771	1	SCREW- #10 x 3/4
2	94062	1	WASHER- Retainer
3	69158A	1	PULLEY- Starter
4	A93874A	1	ROPE- Starter #4 3/4"
5	93862	1	WASHER- Nylon
6	A95233	1	SPRING & CONTAINER
7	A95210A	1	HOUSING- Starter
8	969811A	1	BUSHING- Starter hsg.
9	70211	1	GRIP- Starter rope
10	84025	1	WASHER- Flat #8
11	97052	1	DECAL-"245"
12	95931	1	HANDLE BAR
13	70440A	1	WASHER- Vibration isolator
14	96818	1	SCREW- Soc. hd. cap (10-24 x 1 5/8)
15	70432A	2	RING- Vibration isolator
16	70433	1	SPACER
17	95868	1	ISOLATOR
18	95249	1	WASHER- Flat
19	A96957	1	CAP- Oil
20	94494	1	GASKET- Filler cap
21	69502	1	BEAD- Chain
22	96535	1	RETAINER
23	69454	1	FILTER- Fuel cap
24	69451	1	VALVE
25	82256	1	SCREW- Pan hd.
26	A96936	1	CAP- Fuel
27	A97141	1	TANK- Fuel & oil
28	96639	1	FILTER- Fuel
29	7031026	1	TUBING- Fuel 6 1/2"
30	7031027	1	TUBING- Oil outlet 6 3/4"
31	A68593	1	FILTER- Oil
32	95213	1	NUT- Square 10-24

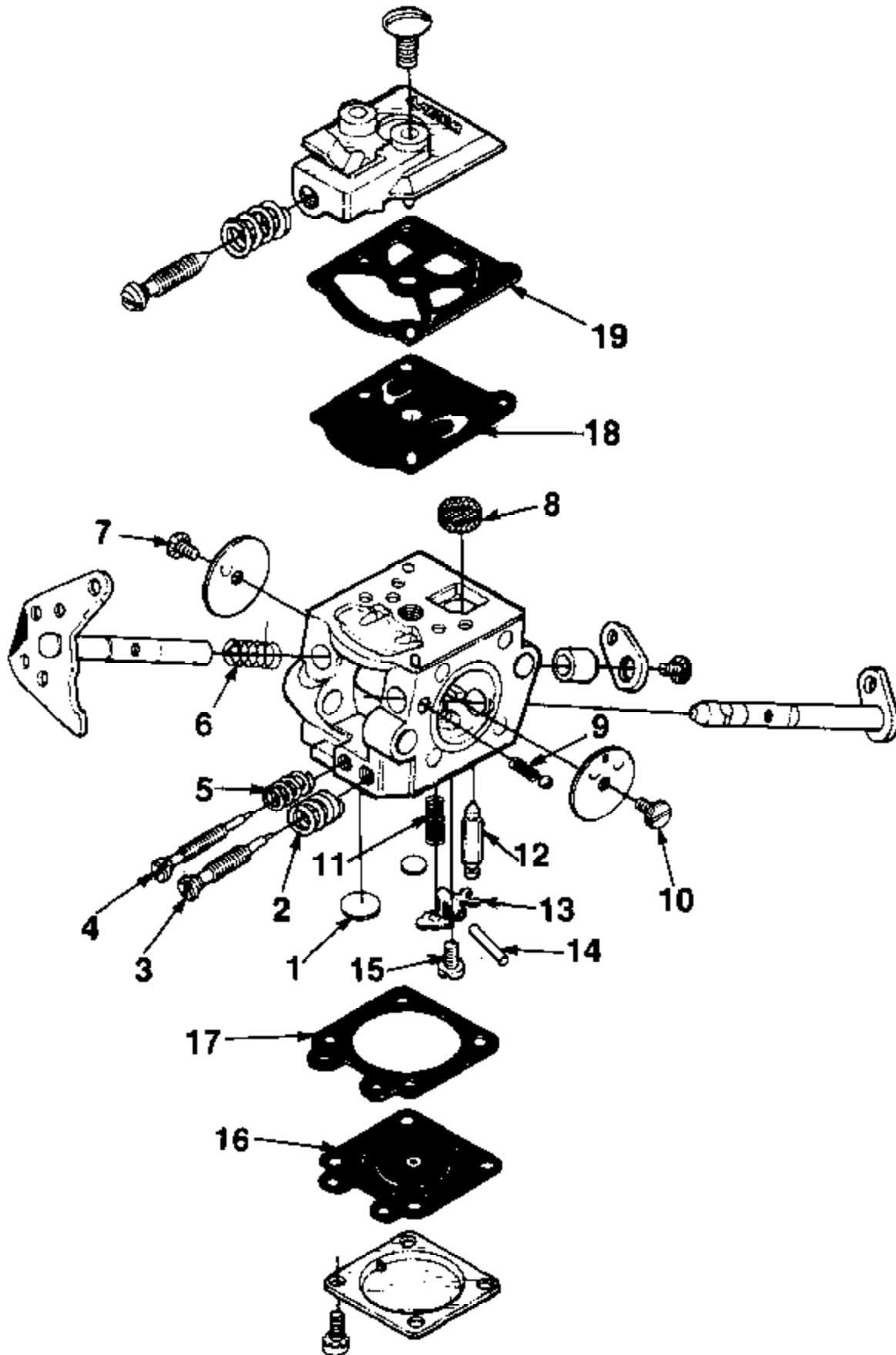
# TOOLS

<b>SILASTIC (Crankcase sealing)</b>	<b>24823</b>
<b>LOCTITE</b>	<b>23488-C</b>
<b>PULLER- Magneto rotor</b>	<b>A-24747-A</b>
<b>Includes:</b>	
<b>BOLT- 5/16-18 x 1 3/4 (1)</b>	<b>80288</b>
<b>NUT- Hex 5/16-18 (2)</b>	<b>81196</b>
<b>WRENCH- Spanner (clutch)</b>	<b>A-93791</b>
<b>Includes:</b>	
<b>PIN- Clutch spanner</b>	<b>23717-A</b>
<b>WRENCH- Combination</b>	<b>A-17705</b>
<b>TOOL- Clutch</b>	<b>A-17770</b>

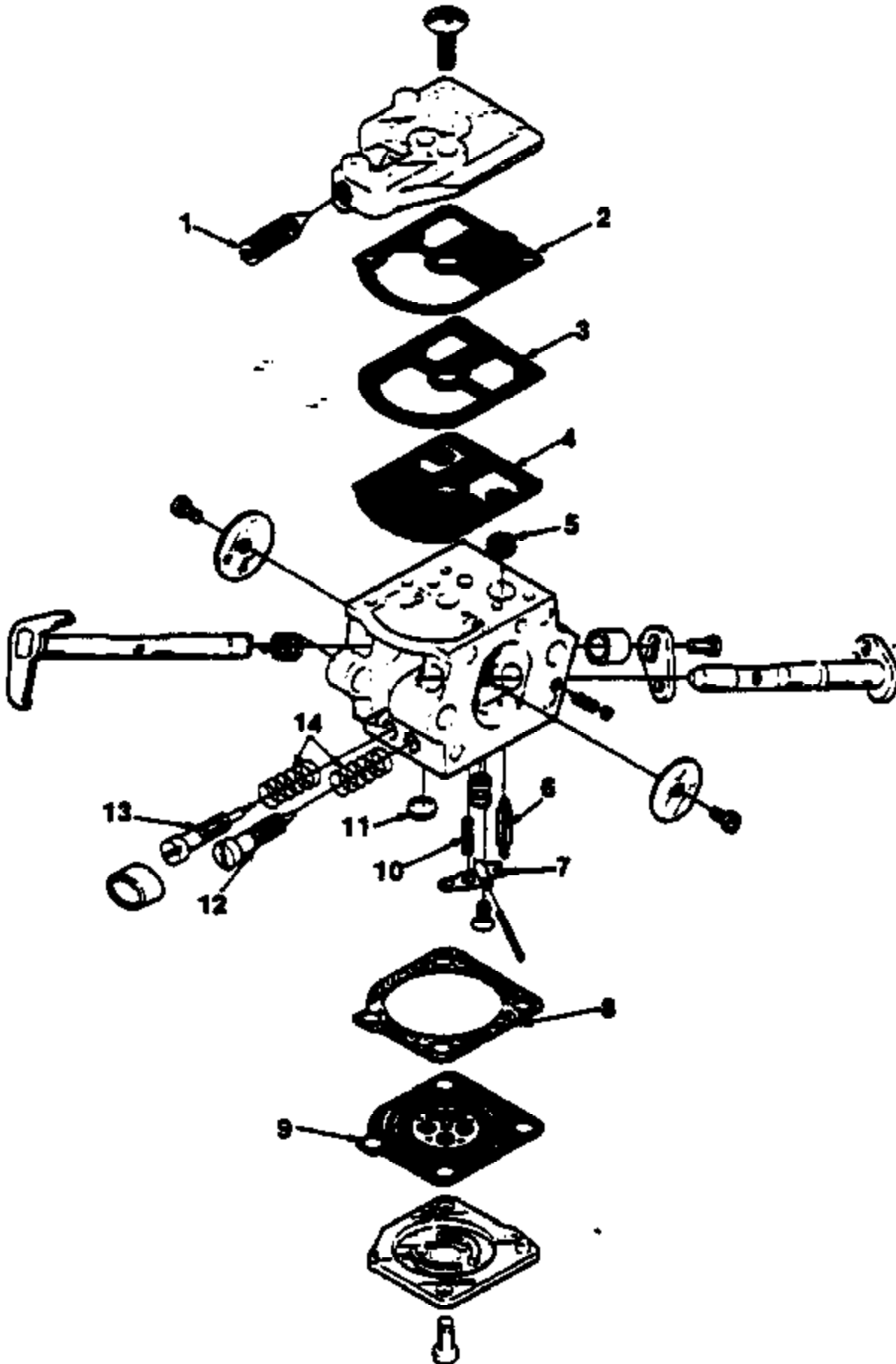
# ACCESSORIES

<b>GREASE- Multi use</b>	<b>17193</b>
<b>TUBING- 10 ft. (Fuel &amp; Oil)</b>	<b>70310-99</b>
<b>SAFE•T•TIP- (Standard on units)</b>	<b>DA-70776-A</b>
<b>Includes:</b>	
<b>SCREW- (Special)</b>	<b>93695</b>
<b>TUBING- 10 ft. (pulse line)</b>	<b>95201-99</b>
<b>ROPE- Starter 250 ft. #4</b>	<b>68848</b>
<b>BUMPER- Spiked</b>	<b>A-97046</b>
<b>Includes:</b>	
<b>SCREW- Mach-flat</b>	<b>80310</b>
<b>SCREW- (10-24 x 1/2)</b>	<b>80672</b>
<b>NUT- Locking hex</b>	<b>81256</b>

Ref #	Part Number	Qty	Description
24823	24823	1	SILASTIC (Crankcase sealing)
23488C	23488C	1	LOCTITE
A24747A	A24747A	1	PULLER- Magneto rotor
80288	80288	1	BOLT- 5/16-18 x 1 3/4 (1)
81196	81196	1	NUT- Hex 5/16-18 (2)
A-93791	A93791	1	WRENCH- Spanner (clutch)
23717A	23717A	1	PIN- Clutch spanner
A-17705	A17705	1	WRENCH- Combination
A-17770	A17770	1	TOOL- Clutch
17193	17193	1	GREASE- Multi use
7031099	7031099	1	TUBING- 10 ft. (Fuel & Oil)
DA-70776-A	DA70776A	1	SAFE-T-TIP- (Standard on units)
93695	93695	1	SCREW- (Special)
9520199	9520199	1	TUBING- 10 ft. (pulse line)
68848	68848	1	ROPE- Starter 250 ft. #4
A-97046	A97046	1	BUMPER- Spiked
80310	80310	1	SCREW- Mach-flat
80672	80672	1	SCREW- (10-24 x 1/2)
81256	81256	1	NUT- Locking hex



Ref #	Part Number	Qty	Description
1	96986	1	REPAIR KIT
2	96986	1	REPAIR KIT
3	96986	1	REPAIR KIT
4	96986	1	REPAIR KIT
5	96986	1	REPAIR KIT
6	96986	1	REPAIR KIT
7	96986	1	REPAIR KIT
8	96986	1	REPAIR KIT
9	96986	1	REPAIR KIT
10	96986	1	REPAIR KIT
11	96986	1	REPAIR KIT
12	96986	1	REPAIR KIT
	96915	1	INLET NEEDLE
13	96986	1	REPAIR KIT
14	96986	1	REPAIR KIT
15	96986	1	REPAIR KIT
16	96986	1	REPAIR KIT
	96944	1	GASKET/DIA-KIT
17	96986	1	REPAIR KIT
	96944	1	GASKET/DIA-KIT
18	96986	1	REPAIR KIT
	96944	1	GASKET/DIA-KIT
19	96986	1	REPAIR KIT
	96944	1	GASKET/DIA-KIT



Ref #	Part Number	Qty	Description
1	96646A	1	REPAIR KIT
2	96646A	1	REPAIR KIT
3	96646A	1	REPAIR KIT
4	96646A	1	REPAIR KIT
5	96646A	1	REPAIR KIT
6	96646A	1	REPAIR KIT
7	96646A	1	REPAIR KIT
8	96646A	1	REPAIR KIT
9	96646A	1	REPAIR KIT
10	96646A	1	REPAIR KIT
11	96646A	1	REPAIR KIT
12	96646A	1	REPAIR KIT
13	96646A	1	REPAIR KIT
14	96646A	1	REPAIR KIT